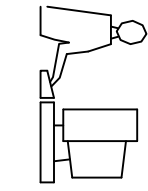
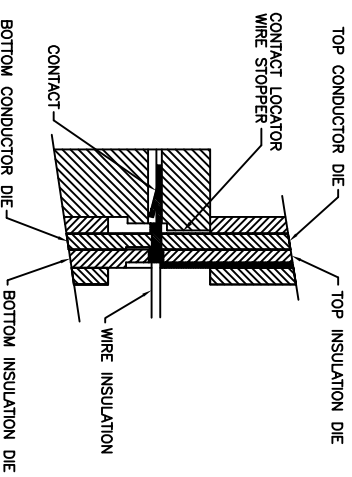
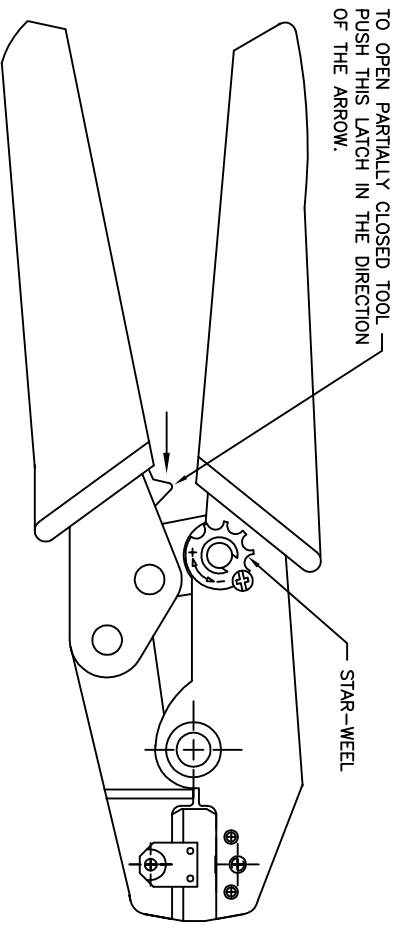


THIS IS A C.A.D. GENERATED DRAWING  
DO NOT MAKE MANUAL REVISIONS TO MASTER.



ISSUE NUMBER  
ORIGINAL  
①



SECTION THROUGH DIE NEST  
WITH CONTACT IN POSITION

WIRE AWG	CRIMP STRENGTH
20 AWG	15.4 LBS
22 AWG	11.0 LBS
24 AWG	6.6 LBS
26 AWG	4.4 LBS
28 AWG	2.2 LBS

NOTES:

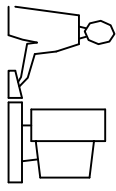
- 1- THIS HAND TOOL IS DESIGNED FOR CRIMPING 20 TO 28 AWG WIRES TO EDAC CONTACT P/N 627-290-001 AND 628-292-001.
- 2- RISK OF ELECTRIC SHOCK- DO NOT USE THIS ON LIVE WIRE.
- 3- CRIMPING INSTRUCTIONS:
  - OPEN THE TOOL, PLACE THE CONTACT INTO THE CORRECT DIE NEST.
  - PARTIALLY CLOSE THE TOOL UNTIL THE CONTACT IS HELD IN PLACE. INSERT THE WIRE INTO THE CONTACT.
  - CLOSE THE TOOL UNTIL THE RATCHET RELEASES. REMOVE THE CRIMPED CONTACT.
- 4- ADJUSTMENT OF CRIMP FORCE (WHEN NECESSARY):
  - LOOSEN THE SCREW
  - ADJUST THE STAR-WHEEL BY TURNING FROM (-) TO(+).
  - CHECK THE PRELOAD AND THE CRIMP FORCE.

TOOL PART NUMBER: 628-280-201

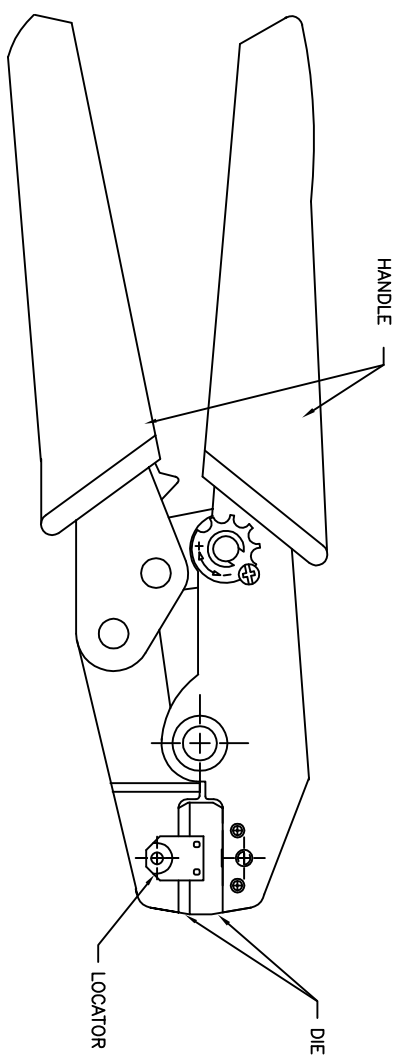
628 SERIES HAND CRIMP TOOL INSTRUCTIONS

<p>EDAC INC TORONTO, ONTARIO CANADA</p> <p>YOUR CONNECTION TO QUALITY &amp; SERVICE</p>		ACAD REFERENCE NO. 628-280-201	
		DRAWN: K.L. DATE: OCT.20/2020	
<p>THESE DRAWINGS AND SPECIFICATIONS ARE THE PROPERTY OF EDAC INC. AND SHALL NOT BE REPRODUCED, OR COPIED OR USED AS THE BASIS FOR THE MANUFACTURE OR SALE OF APPARATUS WITHOUT WRITTEN PERMISSION.</p>		CHECKED:	DATE:
		SCALE: N.T.S.	SHEET 1 OF 2
DRAWING NUMBER 628-280-201		ISSUE 1	

THIS IS A C.A.D. GENERATED DRAWING  
DO NOT MAKE MANUAL REVISIONS TO MASTER.

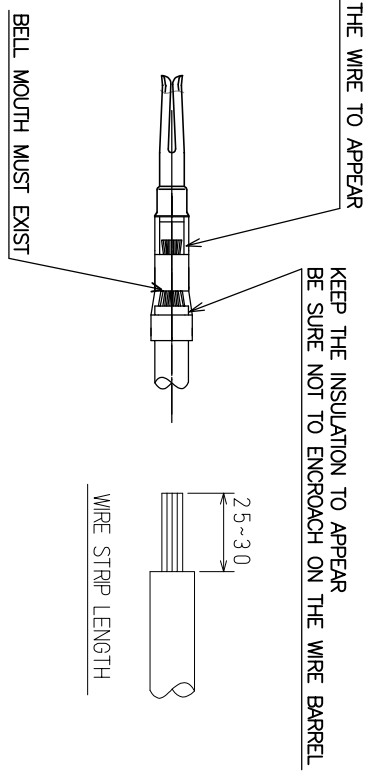
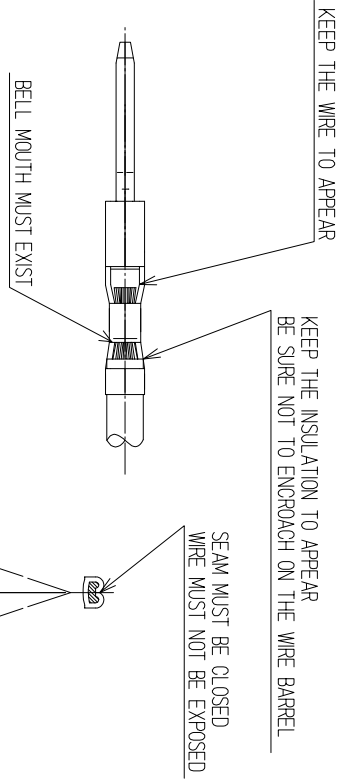


ISSUE NUMBER  
ORIGINAL  
①



CRIMP ASM*	HANDLE	DIES	LOCATOR
628-280-201	628-281-001	628-281-002	628-281-003

\* Assembly includes: Handle, Die and Locator. Parts are available for purchase separately.



## 628 SERIES HAND CRIMP TOOL INSTRUCTIONS

ACAD REFERENCE NO. 628-280-201	
DRAWN: K.L.	DATE: OCT.20/2020
CHECKED:	DATE:
SCALE: N.T.S.	SHEET 2 OF 2
DRAWING NUMBER 628-280-201	ISSUE 1

**EDAC INC**  
TORONTO, ONTARIO  
CANADA

THESE DRAWINGS AND SPECIFICATIONS ARE THE PROPERTY OF EDAC INC. AND SHALL NOT BE REPRODUCED, OR COPIED OR USED AS THE BASIS FOR THE MANUFACTURE OR SALE OF APPARATUS WITHOUT WRITTEN PERMISSION.

YOUR CONNECTION TO QUALITY & SERVICE