

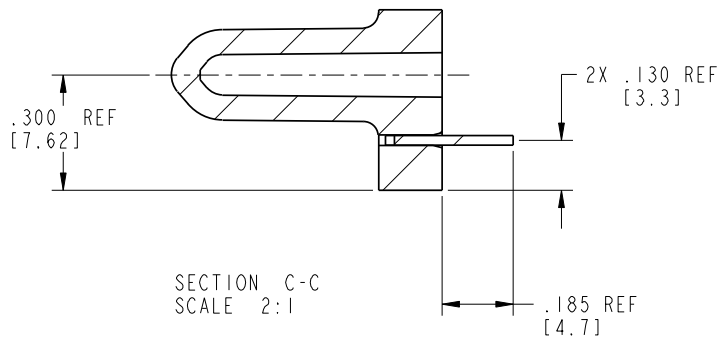
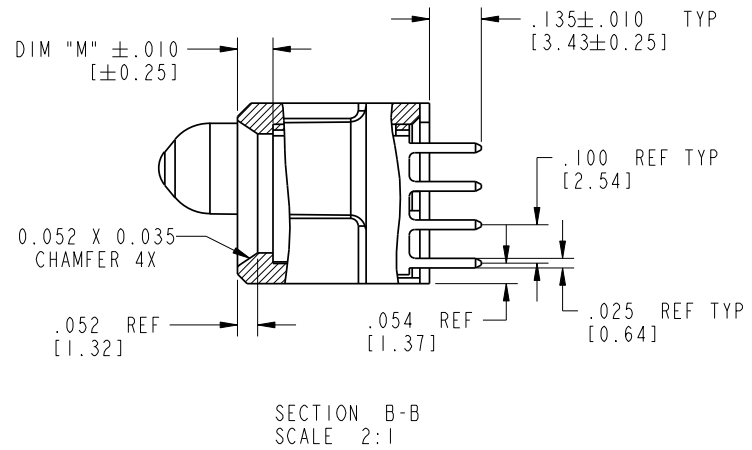
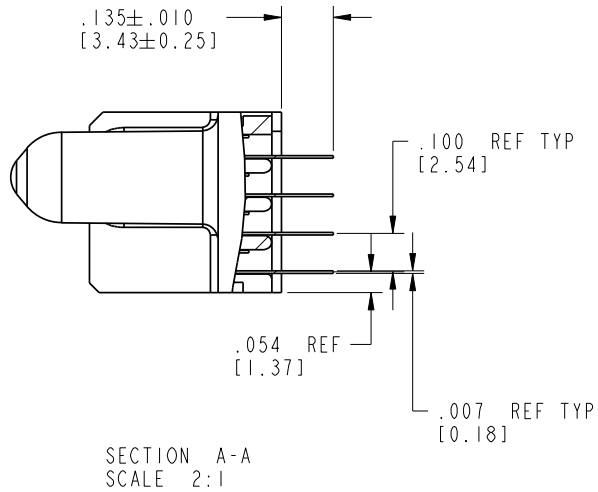
Tous droits strictement réservés. Reproduction ou communication a des tiers interdite sous quelque forme que ce soit sans autorisation écrite du propriétaire. Propriété de c FCI. Droits de reproduction FCI.

All rights strictly reserved. Reproduction or issue to third parties in any form whatever is not permitted without written authority from the proprietor. Property of FCI. Copyright FCI.

FCI

PRODUCT NUMBER

51940-187--
Note: ③



mat'l code		SEE NOTE 2		tolerances unless otherwise specified		CUSTOMER		 www.fciconnect.com	
lir	ecn no.	dr	date	linear	.XX±.01/0.X±0.3	COPY		title	
A				linear	.XX±.005/0.XX±0.13	projection		4P + 24S + 4P	
				angles	.XXX±.0020/0.XXX±0.051			VERTICAL SOLDER RECEPT	
				dr	JM GUO 03/24/06	INCH/MM		product family	
				enrg	STEVEN WANG 03/24/06	scale		PwrBlade	
				chr	BEER FU 03/24/06	1:1		code	
				appd	JOSEPH HSIA 03/24/06			size	
sheet index		revision sheet						A 51940-187	
								213	
								sheet 2 of 4	

Pro/E

PDM: Rev: A

STAT **US: Released**

Printed: Dec 20, 2010

Tous droits strictement réservés. Reproduction ou communication a des tiers interdite sous quelque forme que ce soit sans autorisation écrite du propriétaire. Propriété de c FCI. Droits de reproduction FCI.

A
FCI

All rights strictly reserved. Reproduction or issue to third parties in any form whatever is not permitted without written authority from the proprietor. Property of FCI. Copyright FCI.

B

1 | 2

3 |

4

A

B

PRODUCT NUMBER
51940-187--
Note: ③

NOTES:


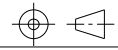
1. DIMENSIONS AND TOLERANCES ARE IN ACCORDANCE WITH ASME Y14.5M, 1994 UNLESS OTHERWISE SPECIFIED.

CONNECTOR NOTES:

- ② HOUSING MATERIAL: UL 94 V-0 GLASS FILLED
HIGH-TEMP THERMOPLASTIC
POWER CONTACT MATERIAL: COPPER ALLOY
SIGNAL PIN MATERIAL: COPPER ALLOY
- 3. 51940-187;51940-187LF;51940-187GLF PLATING SPEC. SEE PRINT:10064183
- ④ MANUFACTURER'S NAME, P/N, AND DATE CODE TO APPEAR ON THIS SURFACE.
- 5. PRODUCT SPECIFICATION GS-12-149.
APPLICATION SPECIFICATION BUS-20-067.
- 6. PACKAGED IN TRAYS.

PCB NOTES:

- 7. ALL HOLE DIAMETERS ARE FINISHED HOLE SIZE.
- ⑧ MOUNTING HOLES, WHERE APPLICABLE, ARE UNPLATED.
- ⑨ $\varnothing .0453 \pm .0010$ [1.151 \pm 0.025] DRILLED HOLES PLATED WITH .0003 [0.008] MIN SnPb OVER .001 [0.03] TO .003 [0.08] Cu PLATING TO ACHIEVE $\varnothing .040 \pm .003$ [1.02 \pm .07] HOLE.
- ⑩ "DIM XXX" TO BE DETERMINED BY THE CUSTOMER.
- ⑪ CONNECTOR KEEP-OUT ZONE.

mat'l code		SEE NOTE 2		tolerances unless otherwise specified		CUSTOMER		 www.fciconnect.com		
lfr	ecn no.	dr	date	linear	.XX±.01/0.X±0.3		projection	COPY		
A					.XXX±.005/0.XX±0.13					title 4P + 24S + 4P VERTICAL SOLDER RECEPT
				angles	.XXX±.0020/0.XXX±0.051		INCH/MM	product family PwrBlade		
					0°+2°			scale	size	code
				dr	JM GUO	03/24/06	1:1	dwg no	213	
				enrg	STEVEN WANG	03/24/06		A	sheet	4 of 4
				chr	BEER FU	03/24/06			51940-187	
				appd	JOSEPH HSIA	03/24/06				
sheet index	revision sheet									

1 | 2

Pro/E

PDM: Rev: A

STAT **US: Released**

Printed: Dec 20, 2010