

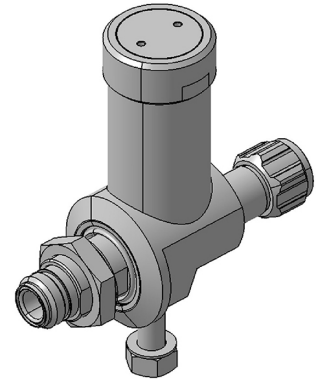
## EMP Protector 3400.17.0431

### Description

Quarter-wave stub technology

#### Benefits

- Broad-band design
- The protector can also be installed reversely
- Multi-band operation
- Mounting screw set 9075.99.0023 included
- Compliant to IEC 61643-21



### Product Configuration

Main path connectors	Port 1: <u>unprotected</u> , N plug (male) - Port 2: <u>protected</u> , N jack (female)
Mounting and grounding	MH170 (bulkhead mounting), M8 (screw), brk (bracket)
Side of bulkhead	protected side

### Technical Data

#### Electrical Data

Impedance	50 Ω		
Frequency range	690 - 2200 MHz	690 - 960 MHz	1700 - 2200 MHz
Return loss	≥ 23 dB	≥ 24 dB	≥ 24 dB
Insertion loss	≤ 0.15 dB	≤ 0.15 dB	≤ 0.15 dB
RF CW power	≤ 500 W	≤ 500 W	≤ 500 W
PIM 3rd order	-150 dBc max.	-150 dBc max.	-150 dBc max.

Surge current handling capability	50 multiple kA (test pulse 8/20 μs)
Residual pulse energy	10 μJ typically (test pulse 4 kV 1.2/50 μs / 2 kA 8/20 μs) main path - protected side

#### Mechanical Data

Number of matings	500
Weight	440 g

#### Environmental Data

Operating temperature	-40 °C to +85 °C
Waterproof degree	IP67 (according to IEC 60529, data refer to the coupled state)
2011/65/EU (RoHS - including 2015/863 and 2017/2102)	compliant

#### Material Data

Piece Parts	Material	Surface Plating
Housing	Brass	SUCOPLATE (R) Plating
Port 1 center contact	Brass	Gold Plating (without Nickel underplating)
Port 2 center contact	Copper Beryllium Alloy	Gold Plating (without Nickel underplating)

### Related Documents

Outline drawing	DOU-00137845.1
Mounting instruction	DOC-0000176104