

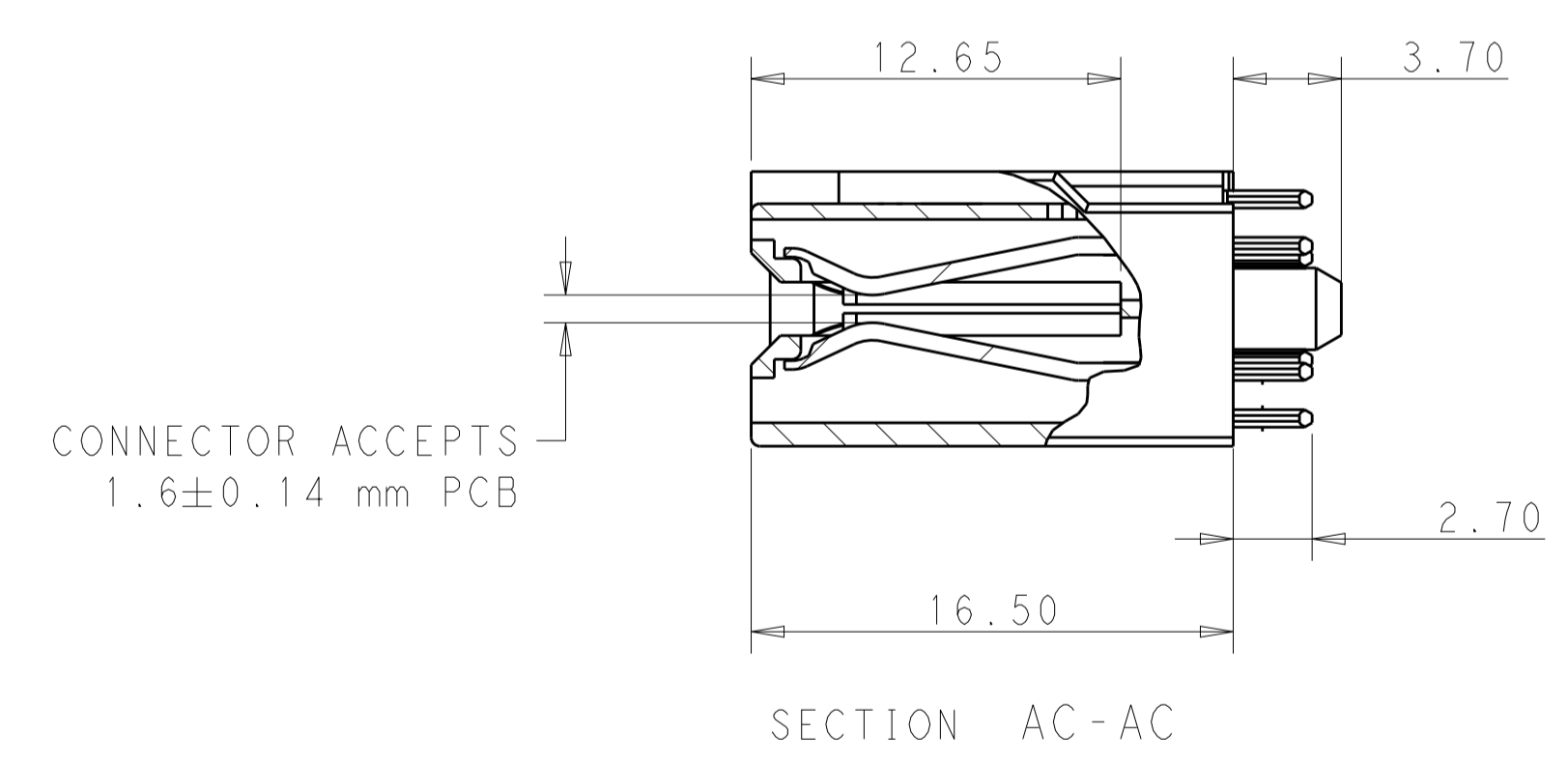
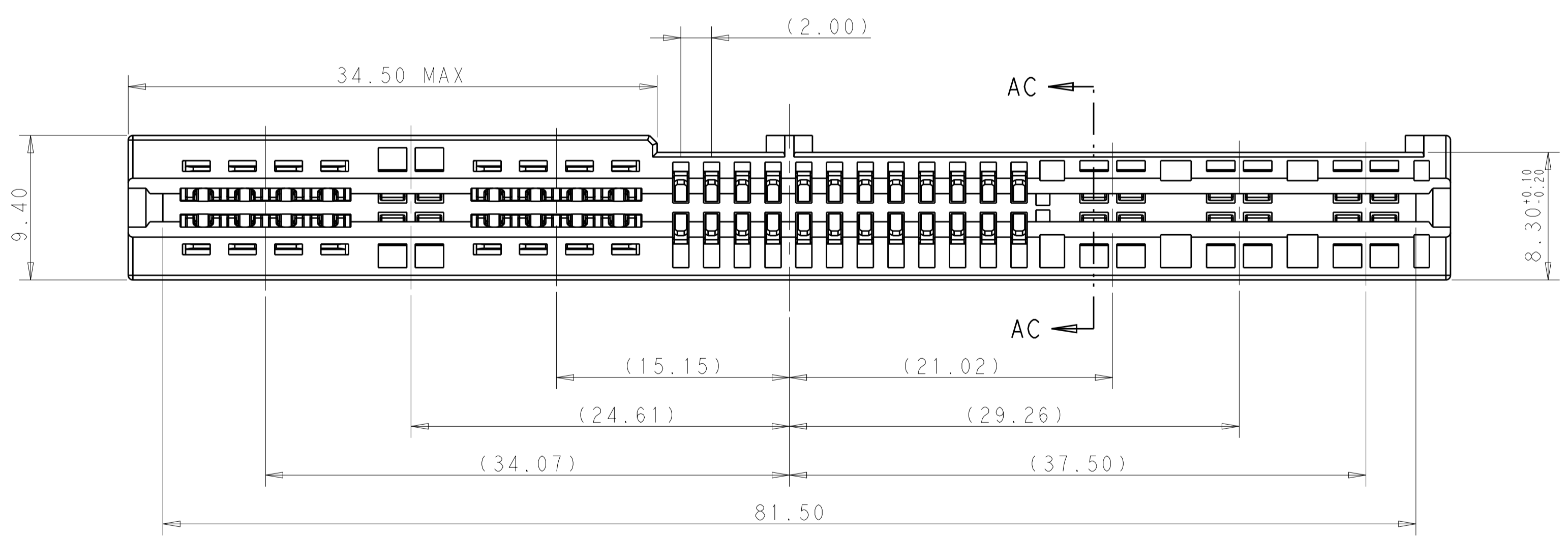
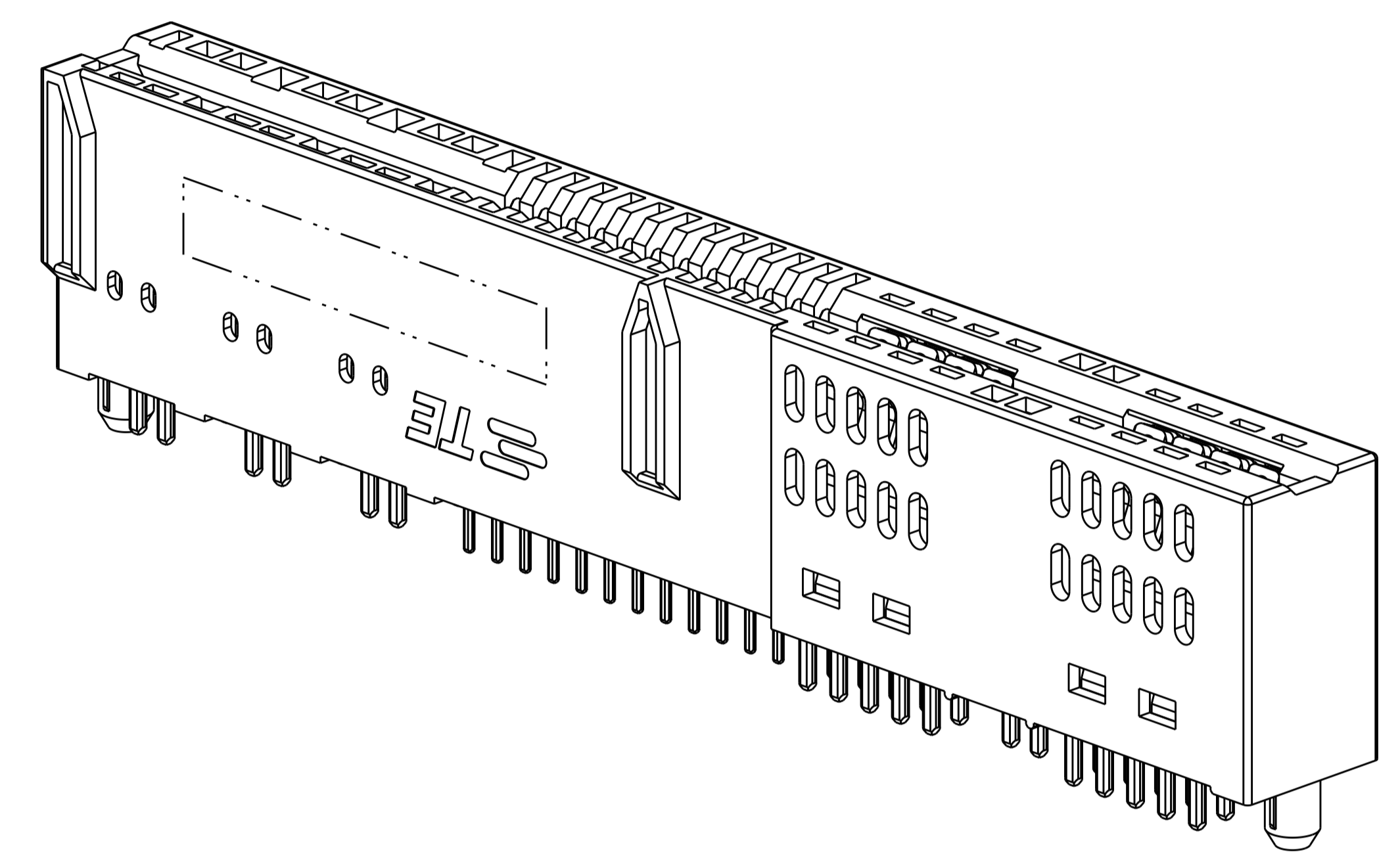
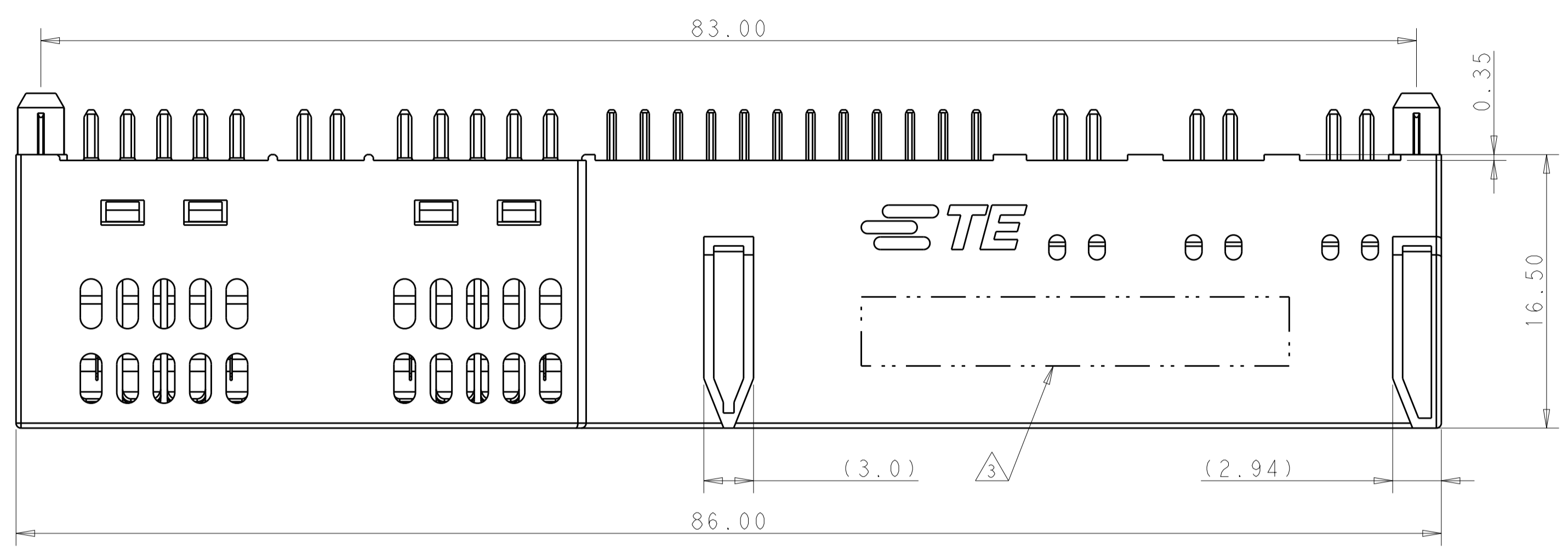
LOC		DIST		REVISIONS			
P	LTN	DESCRIPTION	DATE	DWN	APVD		
A		FIRST RELEASE	08JUN2018	SZ	SZ		

NOTES, UNLESS OTHERWISE SPECIFIED

1. MATERIAL:  
 HOUSING - THERMOPLASTIC, GLASS PREINFORCED, COLOR, BLACK, UL 94V-0  
 CONTACTS- COPPER ALLOY.

2. FINISH:  
 MATING AREA - NOBLE METAL OVERALL NICKEL.  
 SOLDER TAIL - MATTE TIN OVERALL NICKEL.

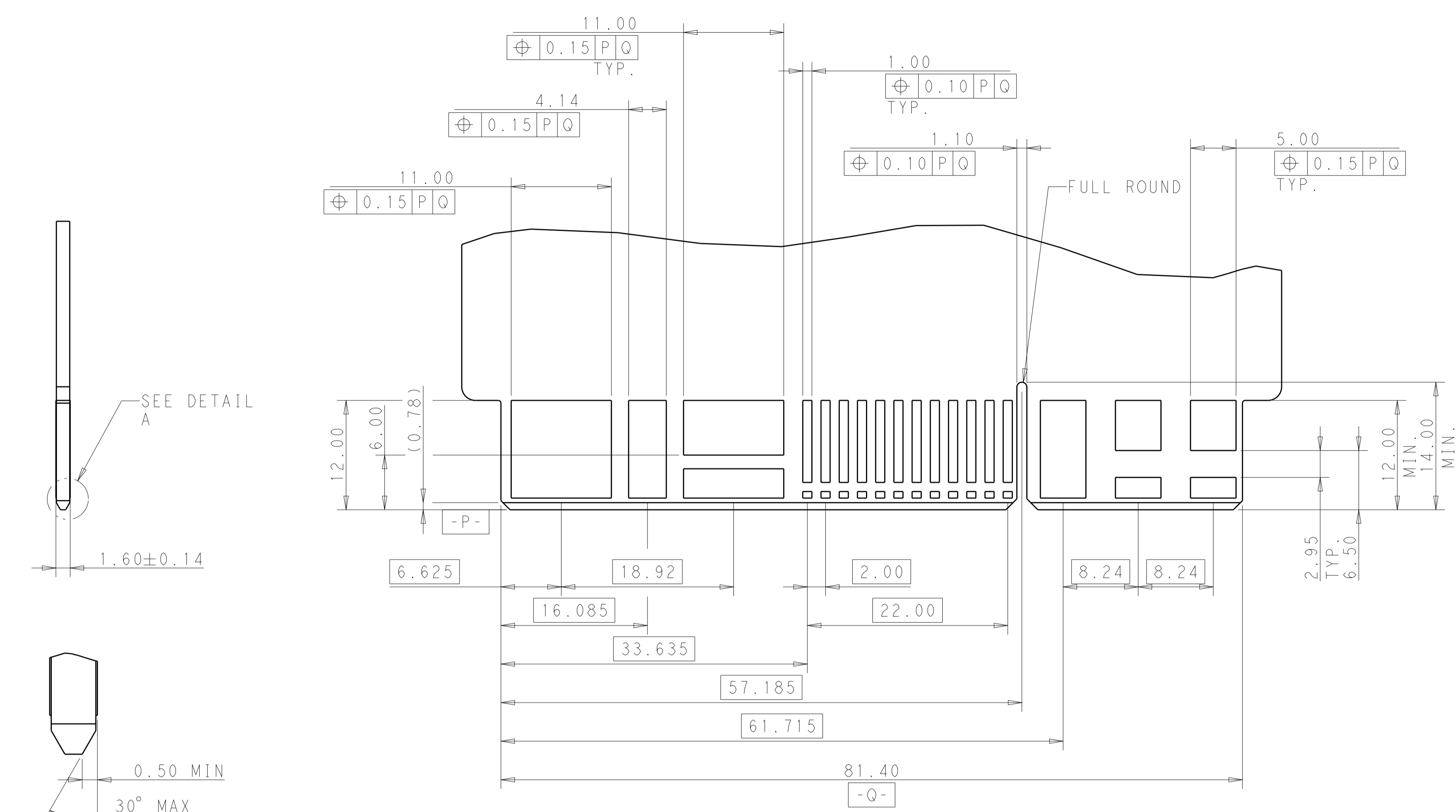
△ MARK P/N AND DATA CODE IN APPROX. AREA AS SHOWN.



PART NUMBER 2322260-1

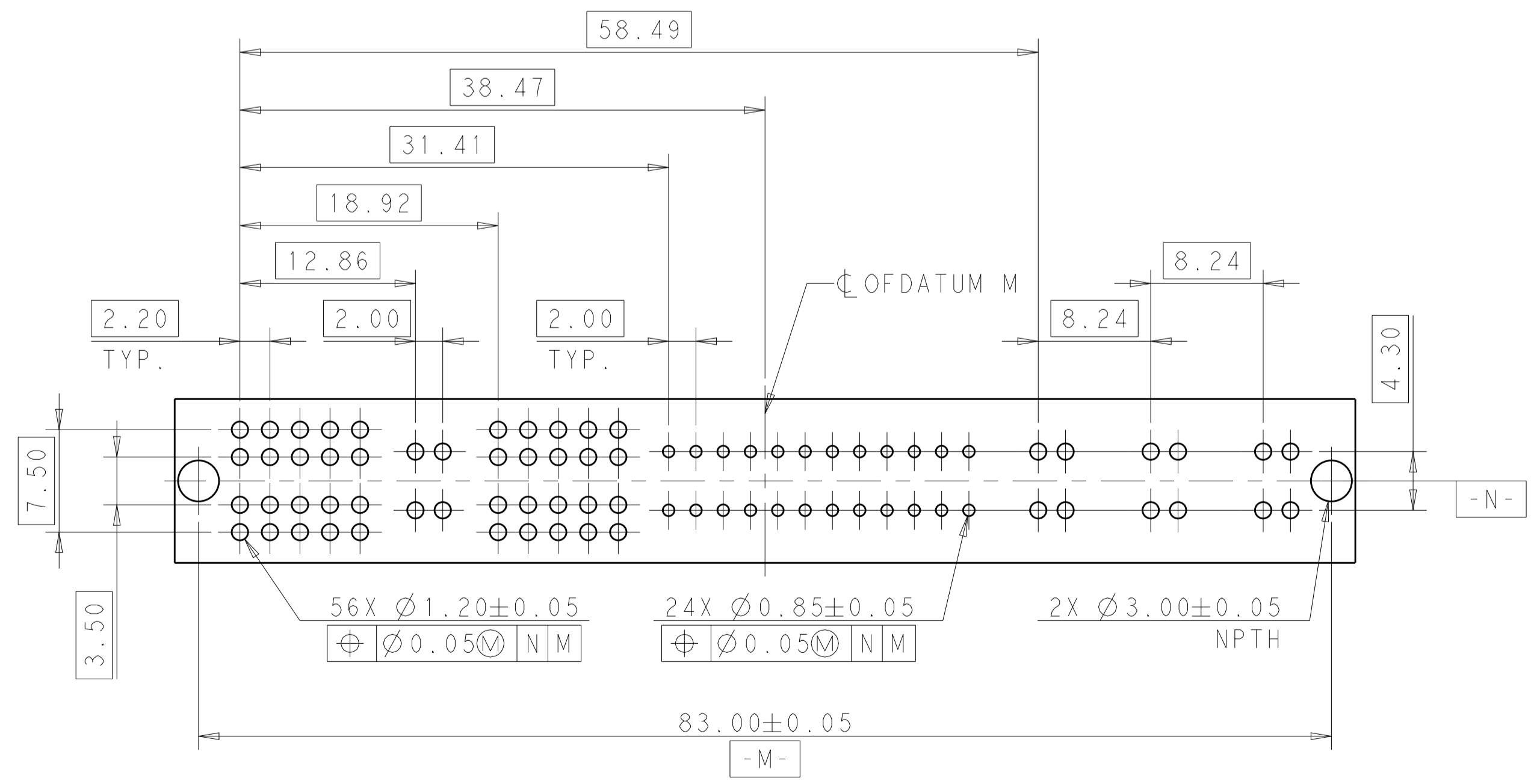
THIS DRAWING IS A CONTROLLED DOCUMENT.		DWN: SEAN ZHANG 01SEP2017	TE Connectivity	
DIMENSIONS: mm		CHK: SUNYI ZHAO 01SEP2017	NAME: HIGH DENSITY HYBRID POWER CARD EDGE SOLDER TYPE LOW PROFILE	
TOLERANCES UNLESS OTHERWISE SPECIFIED:		APVD: SUNYI ZHAO 01SEP2017	PRODUCT SPEC: 108-128060	
0 PLC ±0.40		PRODUCT SPEC: 108-128060	APPLICATION SPEC:	
1 PLC ±0.20		APPLICATION SPEC:	SIZE: A1	
2 PLC ±0.10		WEIGHT:	CAGE CODE: 2322260	
3 PLC ±0.10		FINISH:	DRAWING NO: 2322260	
4 PLC ±0.10		RESTRICTED TO:	SCALE: 1:1	
ANGLES ±2		CUSTOMER DRAWING	SHEET 1 OF 2	
MATERIAL:		SCALE: 1:1	REV A	

LOC		DIST		REVISIONS			
				REV	DATE	BY	APPV
-	-	-	-	-	-	-	-
-	-	-	-	SEE SHEET 1	-	-	-



RECOMMENDED CARD EDGE CONFIGURATION  
TYP. BOTH SIDE

DETAIL A  
SCALE 10:1



RECOMMENDED MOUNTING BOARD LAYOUT  
COMPONENT SIDE

- NOTES FOR MOUNTING BOARD, UNLESS OTHERWISE SPECIFIED:
1. PLATED THROUGH HOLE, SIGNAL:  
FINISHED HOLE SIZE:  $0.85$  mm.  
DRILL HOLE SIZE:  $0.95 \pm 0.025$  mm.
  2. PLATED THROUGH HOLE, POWER:  
FINISHED HOLE SIZE:  $1.2$  mm.  
DRILL HOLE SIZE:  $1.3 \pm 0.025$  mm.
  3. COPPER PLATING THICKNESS:  $0.025 \sim 0.05$  mm.
  4. SURFACE FINISH: OSP OR IMMERSION TIN PLATING IS RECOMMENDED.

THIS DRAWING IS A CONTROLLED DOCUMENT.		DWG: SEAN_ZHANG_01SEP2017		REV: SUNY_ZHAO_01SEP2017	
DIMENSIONS: mm		TOLERANCES UNLESS OTHERWISE SPECIFIED:		NAME: HIGE DENSITY HYBRID POWER CARD EDGE SOLDER TYPE LOW PROFILE	
0 PLC $\pm 0.40$		1 PLC $\pm 0.20$		PRODUCT SPEC: 108-128060	
2 PLC $\pm 0.10$		3 PLC $\pm 0.10$		APPLICATION SPEC:	
4 PLC $\pm 0.10$		ANGLES $\pm 2$		SIZE: A1	
MATERIAL:		FINISH:		WEIGHT:	
CUSTOMER DRAWING		SCALE: 1:1		SHEET 2 OF 2	