

ITEM	PART#	DESCRIPTION	QTY	UOM
A	39012026	2CKT NEW MINI FIT HOUSING 555902P210	1	PC
B	39000124	MiniFit Term Crp Male C Bs Tin 16awg	2	PC
C	--	PAPER PRINTED PAPER WHITE	1	PC

FROM	TO	DESCRIPTION	COLOR
A1	--	1X16AWG DISC PVC BK UL1015 HOOKUP	BLACK
A2	--	1X16AWG DISC PVC BK UL1015 HOOKUP	BLACK

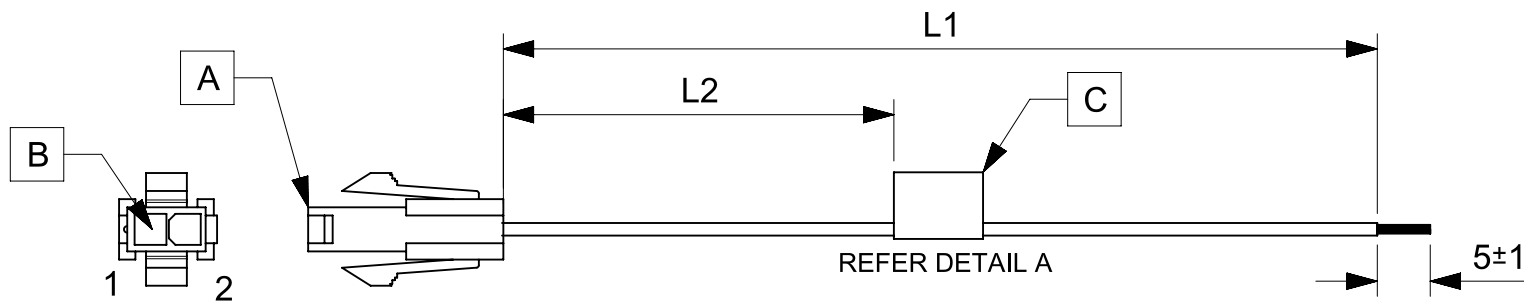


TABLE			
PART NUMBER	L1	L2	TITLE
2153281021	150±8	63 REF	MINIFIT JR DR P-S 2 CIRCUIT 150MM Sn
2153281022	300±10	138 REF	MINIFIT JR DR P-S 2 CIRCUIT 300MM Sn
2153281023	600±10	288 REF	MINIFIT JR DR P-S 2 CIRCUIT 600MM Sn

NOTES

1. Connector view shown is from mating side.
2. Free ends must be stripped, twisted & tinned. The length of tinning is 5±1mm. Tinning dia must be 1.8mm Max.
3. Label text must be 2mm max. in height with Arial font.
4. Label must be wrapped in Flag type on a single cable.

MOLEX P/N
MOLEX
BATCH WK/YR
DETAIL A

REVISION			
DATE	REV	DESCRIPTION	CHANGER
2020/03/19	A	INITIAL RELEASE	ARAJU

FUNCTIONAL SYMBOLS $\frac{F}{A} = 0$ $\frac{F}{E} = 0$ $\frac{F}{P} = 0$ DIVISIONAL SYMBOLS	THIS DRAWING CONTAINS INFORMATION THAT IS PROPRIETARY TO MOLEX ELECTRONIC TECHNOLOGIES, LLC AND SHOULD NOT BE USED WITHOUT WRITTEN PERMISSION		CURRENT REV DESC:		
	DIMENSION UNITS	SCALE	GENERAL TOLERANCES (UNLESS SPECIFIED)		
	mm	NTS	ANGULAR TOL ± °		
	4 PLACES ±		3 PLACES ±		
3 PLACES ±		2 PLACES ±		EC NO: 638379	PRODUCT CUSTOMER DRAWING DOCUMENT NUMBER: 2153281021 DOC TYPE: PSD DOC PART: 000 REVISION: A
2 PLACES ±		1 PLACE ±		DRWN: ARAJU 2020/03/19	
1 PLACE ±		0 PLACES ±		CHK'D: RDESAI01 2020/05/28	
DRAFT WHERE APPLICABLE MUST REMAIN WITHIN DIMENSIONS		THIRD ANGLE PROJECTION	DRAWING	SERIES	
			A4-SIZE	215328	MATERIAL NUMBER: SEE TABLE
					CUSTOMER: GENERAL MARKET
					SHEET NUMBER: 1 OF 1

RELEASE STATUS	P1	RELEASE DATE	2020/05/28	07:59:29
----------------	----	--------------	------------	----------