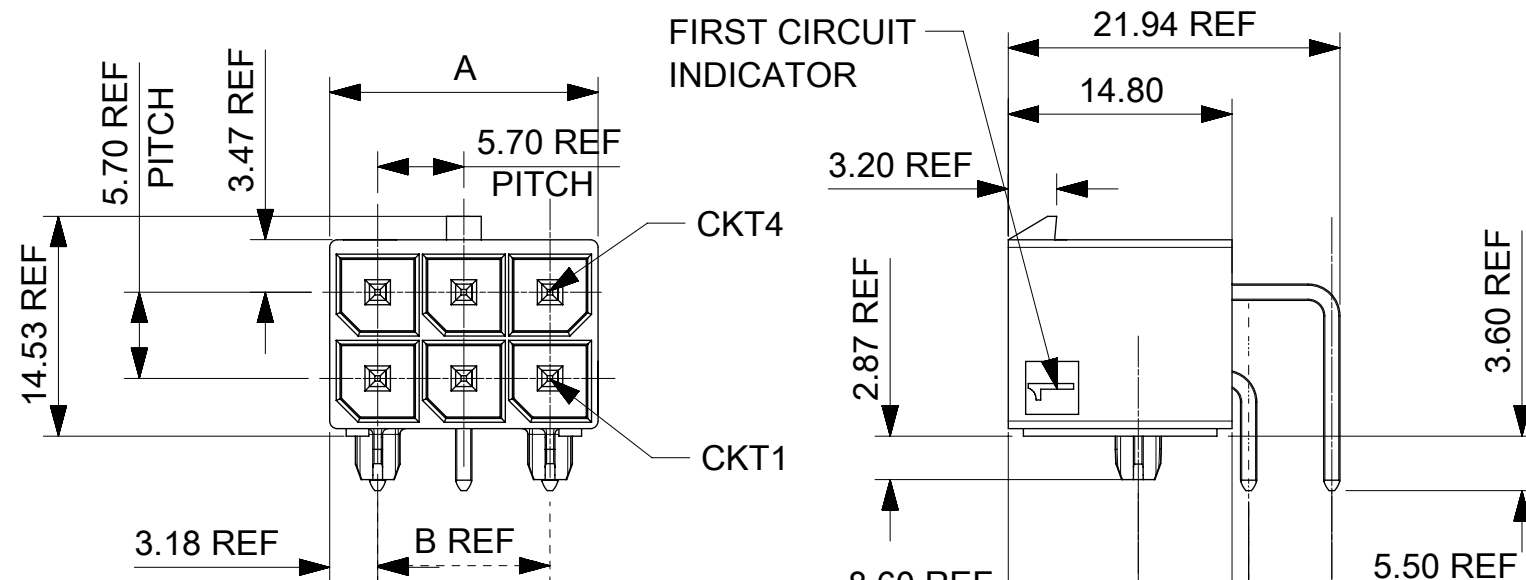
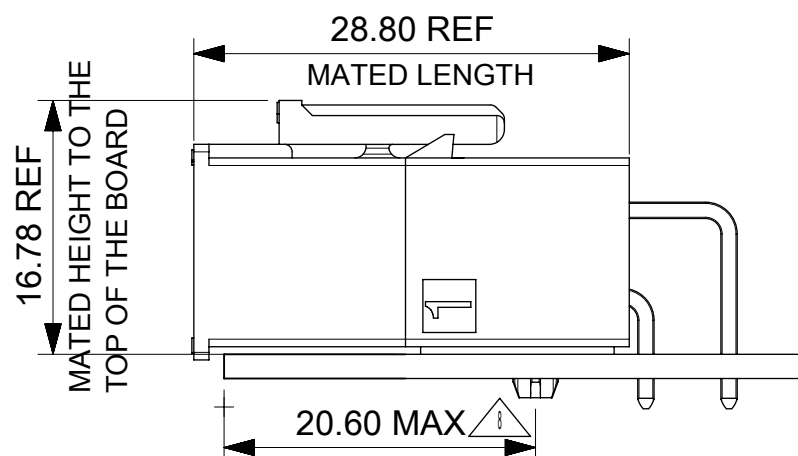
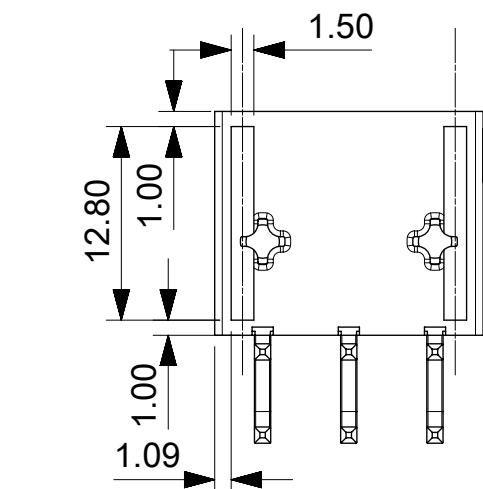


76825-0006 SHOWN



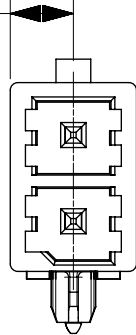
NOTES:

- MATERIAL:  
HOUSING LCP, UL94V-0, GLOW WIRE CAPABLE PER IEC-60335-1 5TH EDITION, COLOR: BLACK.  
TERMINAL: HIGH CONDUCTIVITY COPPER.
- TERMINAL PLATING:  
(TIN) 1.52 MICROMETER MIN (60 MICROINCH MIN) REFLOWED MATTE TIN OVER  
1.27 MICROMETER MIN (50 MICROINCH MIN) MIN NICKEL OVERALL.  
(15 GOLD) 0.38 MICROMETER MIN (15 MICROINCH MIN) SELECTIVE GOLD ON CONTACT AREA  
WITH 2.54 MICROMETER MIN (100 MICROINCHES MIN) SELECTIVE TIN ON SOLDER AREA  
BOTH OVER 1.27 MICROMETER MIN (50 MICROINCHES MIN) NICKEL OVERALL.  
(30 GOLD) 0.76 MICROMETER MIN (30 MICROINCH MIN) SELECTIVE GOLD ON CONTACT AREA  
WITH 2.54 MICROMETER MIN (100 MICROINCHES MIN) SELECTIVE TIN ON SOLDER AREA  
BOTH OVER 1.27 MICROMETER MIN (50 MICROINCHES MIN) NICKEL OVERALL.
- PRODUCT SPECIFICATION PS-76823-100.
- PACKAGING: TRAY PACKED PER MOLEX SPECIFICATION PK-76825-0000, WHILE T&R IS 1720640900.
- PART MATES WITH MOLEX PART NUMBER 170001 AND 171692 SERIES.
- APPLICATION SPECIFICATION: AS-76823-100
- PARTS CONFORM TO CLASS "B" REQUIREMENTS OF COSMETIC SPECIFICATION PS-45499-002.
- TO AVOID INTERFERENCE BETWEEN RECEPTACLE AND PCB, HEADER MUST BE PLACED  
WITHIN 20.6 MAX FROM EDGE OF PCB AS SHOWN FOR 4 THROUGH 12 CIRCUITS.  
FOR 2 CIRCUIT PARTS THIS DIMENSION IS 15.1 MAX.



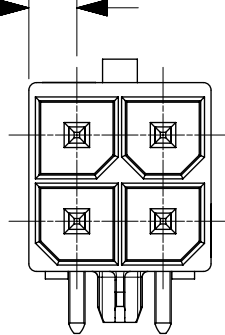
|         |   |                        |                   |   |                          |
|---------|---|------------------------|-------------------|---|--------------------------|
| SYMBOLS | THIS DRAWING CONTAINS INFORMATION THAT IS PROPRIETARY TO MOLEX ELECTRONIC TECHNOLOGIES, LLC AND SHOULD NOT BE USED WITHOUT WRITTEN PERMISSION |                        | CURRENT REV DESC: |   | <b>molex</b>             |
|         | DIMENSION UNITS   | SCALE                  |                   |   |                          |
| ▽ = 0   | mm  |                        |                   | MEGA-FIT RIGHT ANGLE HEADER<br>R/A HEADER ASSY 2-12 CKT |                          |
| ▽ = 0   | GENERAL TOLERANCES (UNLESS SPECIFIED)   |                        |                   |   | PRODUCT CUSTOMER DRAWING |
| ▽ = 0   | ANGULAR TOL ± 0.5°  |                        |                   |   |                          |
| ▽ = 0   | 4 PLACES ±  | EC NO: 605032          | 2018/09/20        | DOCUMENT NUMBER   |                          |
| ▽ = 0   | 3 PLACES ±  | DRWN: ALUO02           | 2018/09/27        | DOC TYPE DOC PART REVISION                              |                          |
| ▽ = 0   | 2 PLACES ± 0.25   | CHK'D: AYIN            | 2018/09/27        | SD-76825-0100 PSD 000 D10                               |                          |
| ▽ = 0   | 1 PLACE ±   | APPR: AYIN             | 2018/09/27        | MATERIAL NUMBER   |                          |
| ▽ = 0   | 0 PLACES ±  | INITIAL REVISION:      |                   | CUSTOMER  |                          |
| ▽ = 0   |   | DRWN: JDFOX            | 2015/04/17        | GENERAL MARKET  |                          |
| ▽ = 0   |   | APPR: FSMITH           | 2015/04/17        | SHEET NUMBER  |                          |
| ▽ = 0   | DRAFT WHERE APPLICABLE MUST REMAIN WITHIN DIMENSIONS  | THIRD ANGLE PROJECTION | DRAWING           | SERIES  |                          |
| ▽ = 0   |   |                        | A3-SIZE           | 76825   | 1 OF 3                   |

4.18 REF



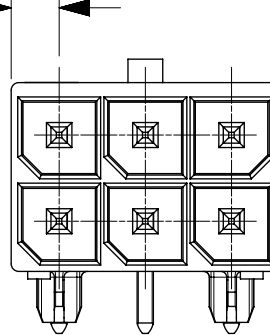
2CKT

3.18 REF

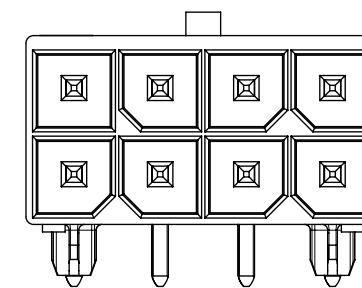


4CKT

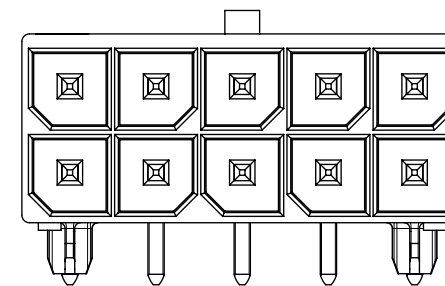
3.18 REF



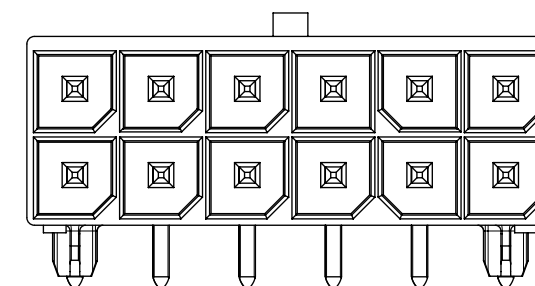
6CKT



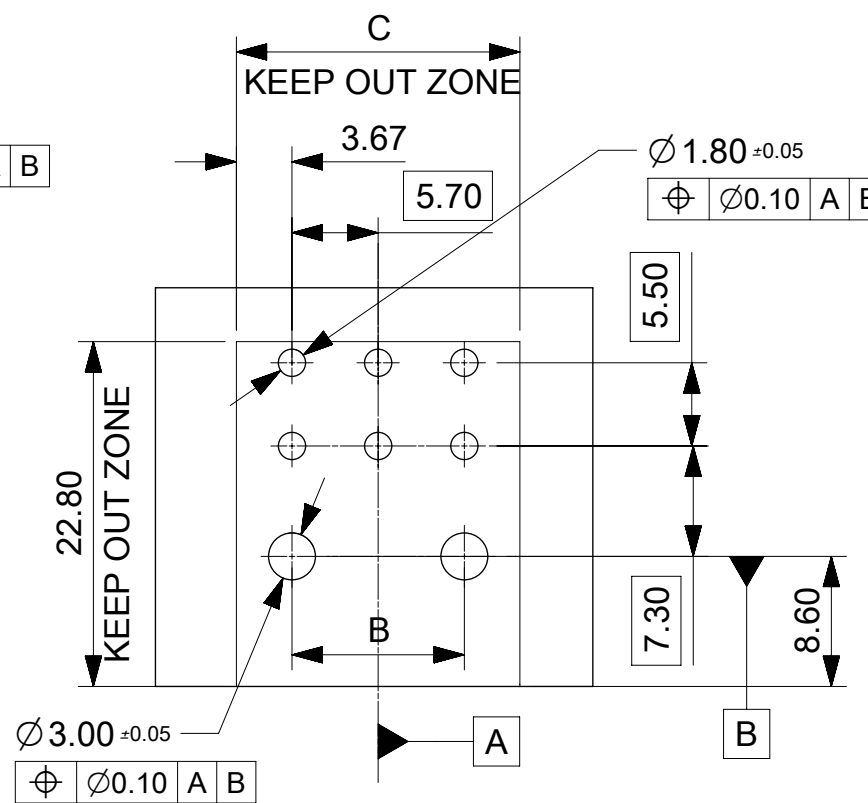
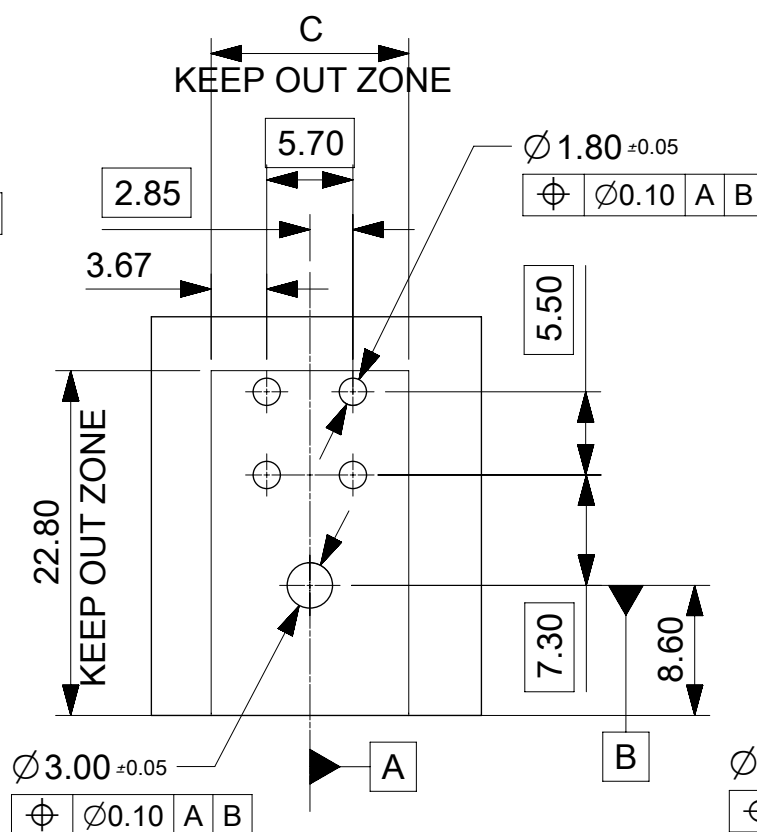
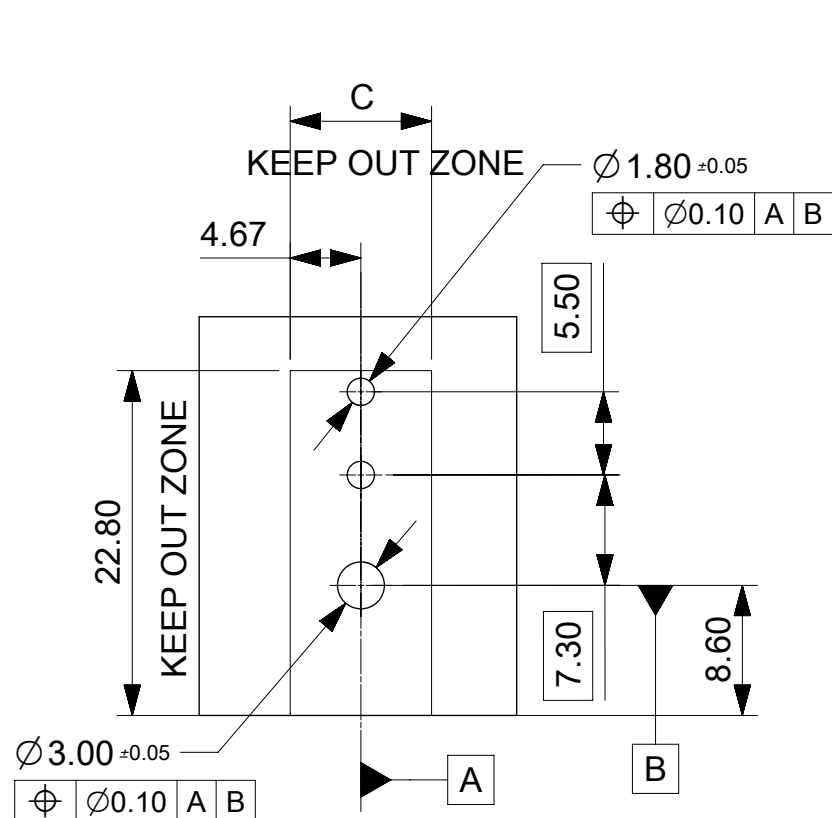
8CKT



10CKT



12CKT



|         |   |       |                         |  |   |  |  |
|---------|---|-------|-------------------------|--|---|--|--|
| SYMBOLS | THIS DRAWING CONTAINS INFORMATION THAT IS PROPRIETARY TO MOLEX ELECTRONIC TECHNOLOGIES, LLC AND SHOULD NOT BE USED WITHOUT WRITTEN PERMISSION |       | CURRENT REV DESC:       |  | <b>molex</b>  |  |  |
|         | DIMENSION UNITS   | SCALE |                         |  |   |  |  |
| ▽ = 0   | mm  |       | EC NO: 605032           |  | MEGA-FIT RIGHT ANGLE HEADER<br>R/A HEADER ASSY 2-12 CKT |  |  |
| ▽ = 0   | GENERAL TOLERANCES (UNLESS SPECIFIED)   |       | DRWN: ALUO02 2018/09/20 |  |   |  |  |
| ▽ = 0   | ANGULAR TOL ± 0.5°  |       | CHK'D: AYIN 2018/09/27  |  | PRODUCT CUSTOMER DRAWING                                |  |  |
| ▽ = 0   | 4 PLACES ±  |       | APPR: AYIN 2018/09/27   |  |   |  |  |
| ▽ = 0   | 3 PLACES ±  |       | INITIAL REVISION:       |  | DOCUMENT NUMBER   |  |  |
| ▽ = 0   | 2 PLACES ± 0.25   |       | DRWN: JDFOX 2015/04/17  |  |   |  |  |
| ▽ = 0   | 1 PLACE ±   |       | APPR: FSMITH 2015/04/17 |  | DOC TYPE DOC PART REVISION                              |  |  |
| ▽ = 0   | 0 PLACES ±  |       | THIRD ANGLE PROJECTION  |  |   |  |  |
| ▽ = 0   | DRAFT WHERE APPLICABLE MUST REMAIN WITHIN DIMENSIONS  |       | DRAWING                 |  | MATERIAL NUMBER   |  |  |
| ▽ = 0   |   |       | SERIES                  |  |   |  |  |
|         |   |       | A3-SIZE                 |  | GENERAL MARKET  |  |  |
|         |   |       | 76825                   |  |   |  |  |
|         |   |       |                         |  | 2 OF 3  |  |  |

| CKT SIZE |    | PART NO.    | PLATING     | DIM A   | DIM B | DIM C | PK SPEC   |       |
|----------|----|-------------|-------------|---------|-------|-------|-----------|-------|
| 2        | X  | 76825-0002  | TIN         | 8.35    | N/A   | 9.35  | TRAY      |       |
| 4        | X  | 76825-0004  | TIN         | 12.05   | N/A   | 13.05 |           |       |
| 6        | X  | 76825-0006  | TIN         | 17.75   | 11.4  | 18.75 |           |       |
| 8        | X  | 76825-0008  | TIN         | 23.45   | 17.1  | 24.45 |           |       |
| 10       | X  | 76825-0010  | TIN         | 29.15   | 22.8  | 30.15 |           |       |
| 12       | X  | 76825-0012  | TIN         | 34.85   | 28.5  | 35.45 |           |       |
| 2        |    | 172064-0002 | 15 GOLD     | 8.35    | N/A   | 9.35  |           |       |
| 4        |    | 172064-0004 | 15 GOLD     | 12.05   | N/A   | 13.05 |           |       |
| 6        |    | 172064-0006 | 15 GOLD     | 17.75   | 11.4  | 18.75 |           |       |
| 8        |    | 172064-0008 | 15 GOLD     | 23.45   | 17.1  | 24.45 |           |       |
| 10       |    | 172064-0010 | 15 GOLD     | 29.15   | 22.8  | 30.15 |           |       |
| 12       |    | 172064-0012 | 15 GOLD     | 34.85   | 28.5  | 35.45 |           |       |
| 2        |    | 172064-1002 | 30 GOLD     | 8.35    | N/A   | 9.35  |           |       |
| 4        |    | 172064-1004 | 30 GOLD     | 12.05   | N/A   | 13.05 |           |       |
| 6        |    | 172064-1006 | 30 GOLD     | 17.75   | 11.4  | 18.75 |           |       |
| 8        |    | 172064-1008 | 30 GOLD     | 23.45   | 17.1  | 24.45 |           |       |
| 10       |    | 172064-1010 | 30 GOLD     | 29.15   | 22.8  | 30.15 |           |       |
| 12       |    | 172064-1012 | 30 GOLD     | 34.85   | 28.5  | 35.45 |           |       |
|          |    |             |             |         |       |       |           |       |
| *        | 2  | X           | 76825-0902  | TIN     | 8.35  | N/A   | TAPE&REEL |       |
| *        | 4  | X           | 76825-0904  | TIN     | 12.05 | N/A   |           | 13.05 |
| *        | 6  | X           | 76825-0906  | TIN     | 17.75 | 11.4  |           | 18.75 |
| *        | 8  | X           | 76825-0908  | TIN     | 23.45 | 17.1  |           | 24.45 |
| *        | 10 | X           | 76825-0910  | TIN     | 29.15 | 22.8  |           | 30.15 |
| *        | 12 | X           | 76825-0912  | TIN     | 34.85 | 28.5  |           | 35.45 |
| *        | 2  |             | 172064-0902 | 15 GOLD | 8.35  | N/A   |           | 9.35  |
| *        | 4  |             | 172064-0904 | 15 GOLD | 12.05 | N/A   |           | 13.05 |
| *        | 6  |             | 172064-0906 | 15 GOLD | 17.75 | 11.4  |           | 18.75 |
|          | 8  |             | 172064-0908 | 15 GOLD | 23.45 | 17.1  |           | 24.45 |
| *        | 10 |             | 172064-0910 | 15 GOLD | 29.15 | 22.8  |           | 30.15 |
| *        | 12 |             | 172064-0912 | 15 GOLD | 34.85 | 28.5  |           | 35.45 |
| *        | 2  |             | 172064-1902 | 30 GOLD | 8.35  | N/A   |           | 9.35  |
| *        | 4  |             | 172064-1904 | 30 GOLD | 12.05 | N/A   |           | 13.05 |
| *        | 6  |             | 172064-1906 | 30 GOLD | 17.75 | 11.4  |           | 18.75 |
| *        | 8  |             | 172064-1908 | 30 GOLD | 23.45 | 17.1  |           | 24.45 |
| *        | 10 |             | 172064-1910 | 30 GOLD | 29.15 | 22.8  |           | 30.15 |
| *        | 12 |             | 172064-1912 | 30 GOLD | 34.85 | 28.5  |           | 35.45 |

\* DESIGNATES PART NOT RELEASED  
CONTACT FACTORY FOR AVAILABILITY.

|         |   |                                       |                         |                            |                 |  |  |
|---------|---|---------------------------------------|-------------------------|----------------------------|-----------------|--|--|
| SYMBOLS | THIS DRAWING CONTAINS INFORMATION THAT IS PROPRIETARY TO MOLEX ELECTRONIC TECHNOLOGIES, LLC AND SHOULD NOT BE USED WITHOUT WRITTEN PERMISSION |                                       | CURRENT REV DESC:       |                            | <b>molex</b>    |  |  |
|         | DIMENSION UNITS   | SCALE                                 |                         |                            |                 |  |  |
|         | ▽ = 0   | mm                                    | EC NO: 605032           |                            | DOCUMENT NUMBER |  |  |
|         | ▽ = 0   | GENERAL TOLERANCES (UNLESS SPECIFIED) | DRWN: ALUO02 2018/09/20 |                            | SD-76825-0100   |  |  |
| ▽ = 0   | ANGULAR TOL ± 0.5°  | CHK'D: AYIN 2018/09/27                |                         | DOC TYPE DOC PART REVISION |                 |  |  |
| ▽ = 0   | 4 PLACES ±  | APPR: AYIN 2018/09/27                 |                         | PSD 000 D10                |                 |  |  |
| ▽ = 0   | 3 PLACES ±  | INITIAL REVISION:                     |                         | MATERIAL NUMBER            |                 |  |  |
| ▽ = 0   | 2 PLACES ± 0.25   | DRWN: JDFOX 2015/04/17                |                         | CUSTOMER                   |                 |  |  |
| ▽ = 0   | 1 PLACE ±   | APPR: FSMITH 2015/04/17               |                         | GENERAL MARKET             |                 |  |  |
| ▽ = 0   | 0 PLACES ±  | THIRD ANGLE PROJECTION                |                         | SHEET NUMBER               |                 |  |  |
| ▽ = 0   | DRAFT WHERE APPLICABLE MUST REMAIN WITHIN DIMENSIONS  | DRAWING                               |                         | 3 OF 3                     |                 |  |  |
| ▽ = 0   |   | A3-SIZE                               |                         | SERIES                     |                 |  |  |
|         |   | 76825                                 |                         | 76825                      |                 |  |  |