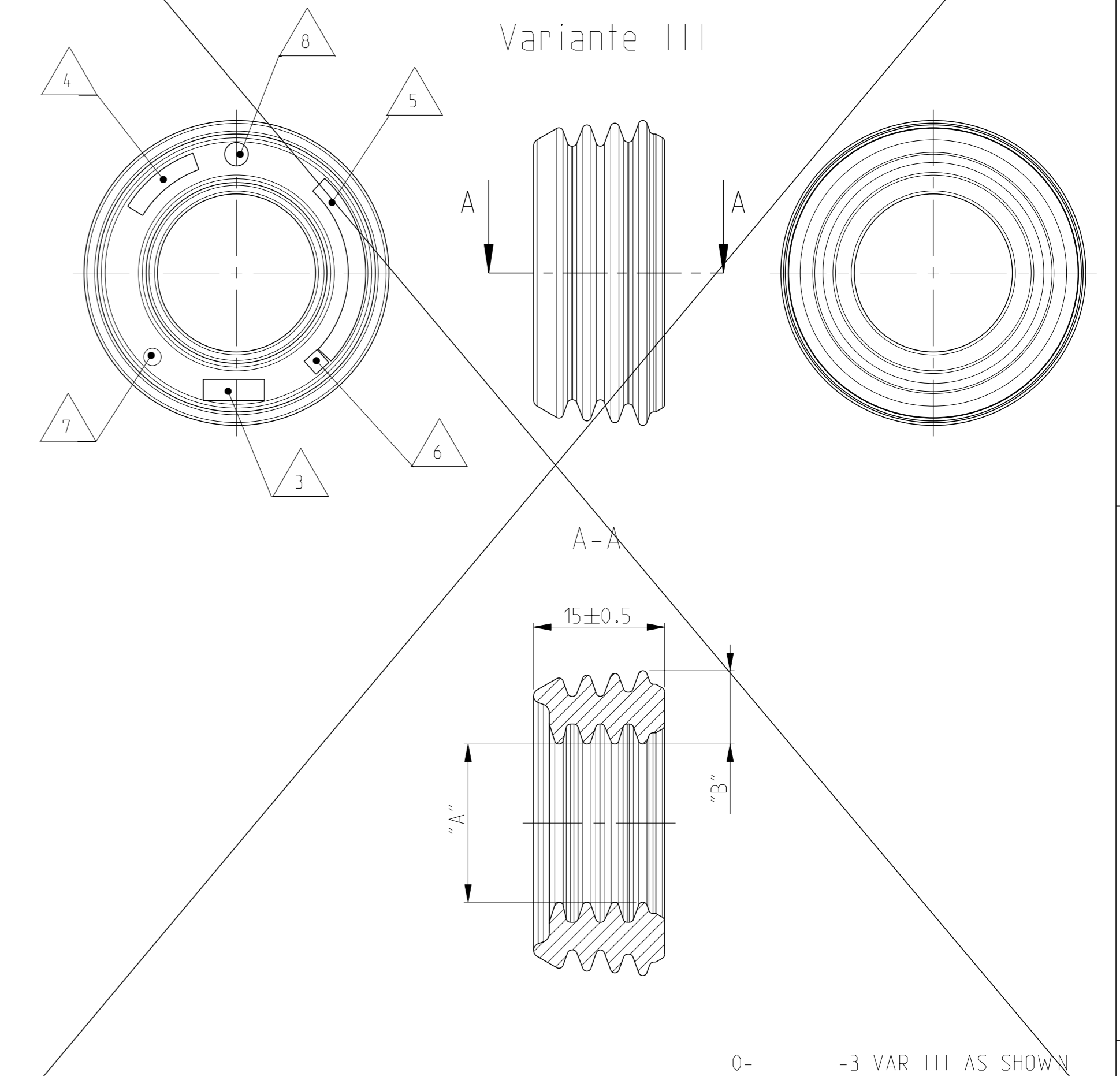
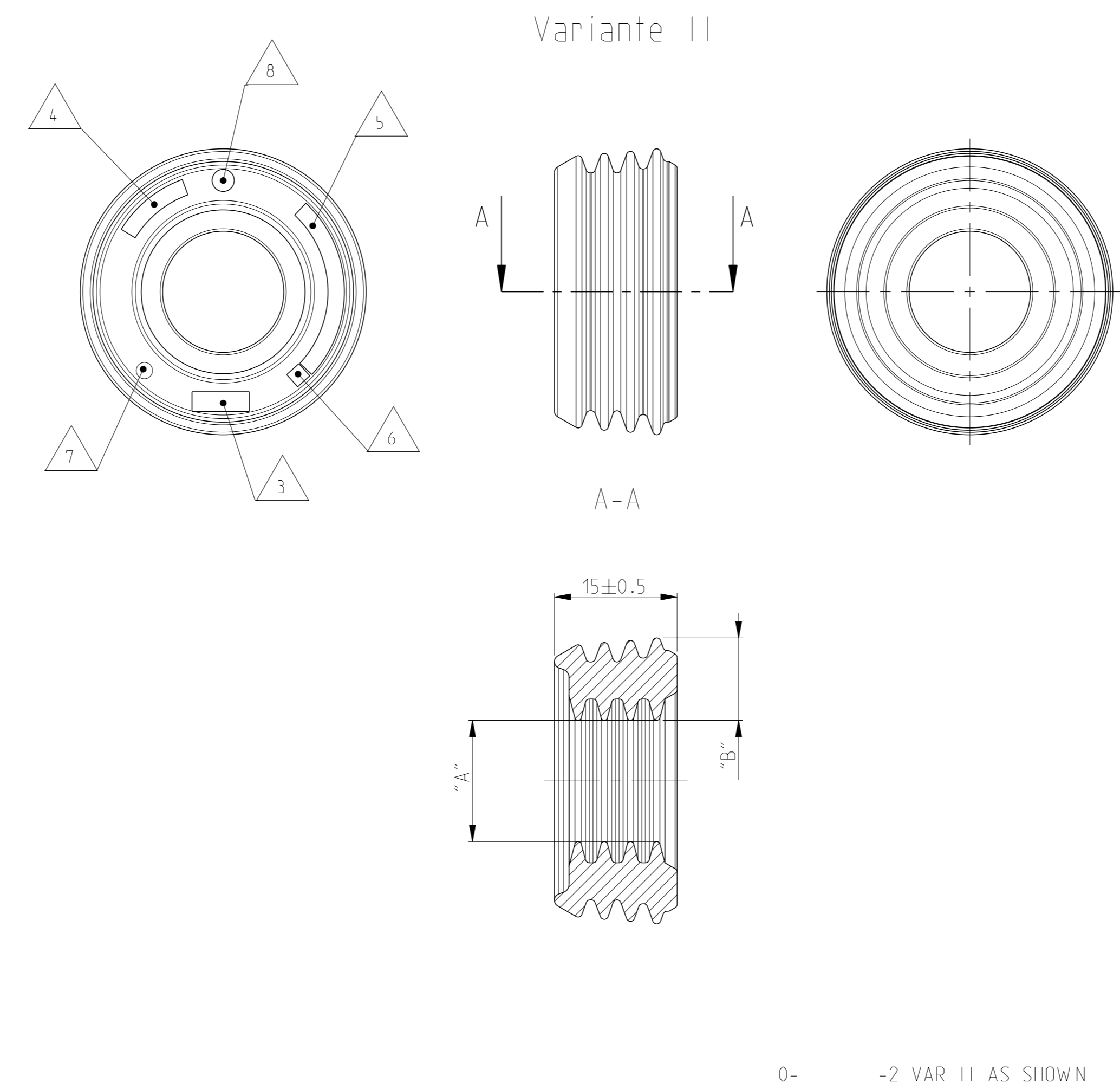
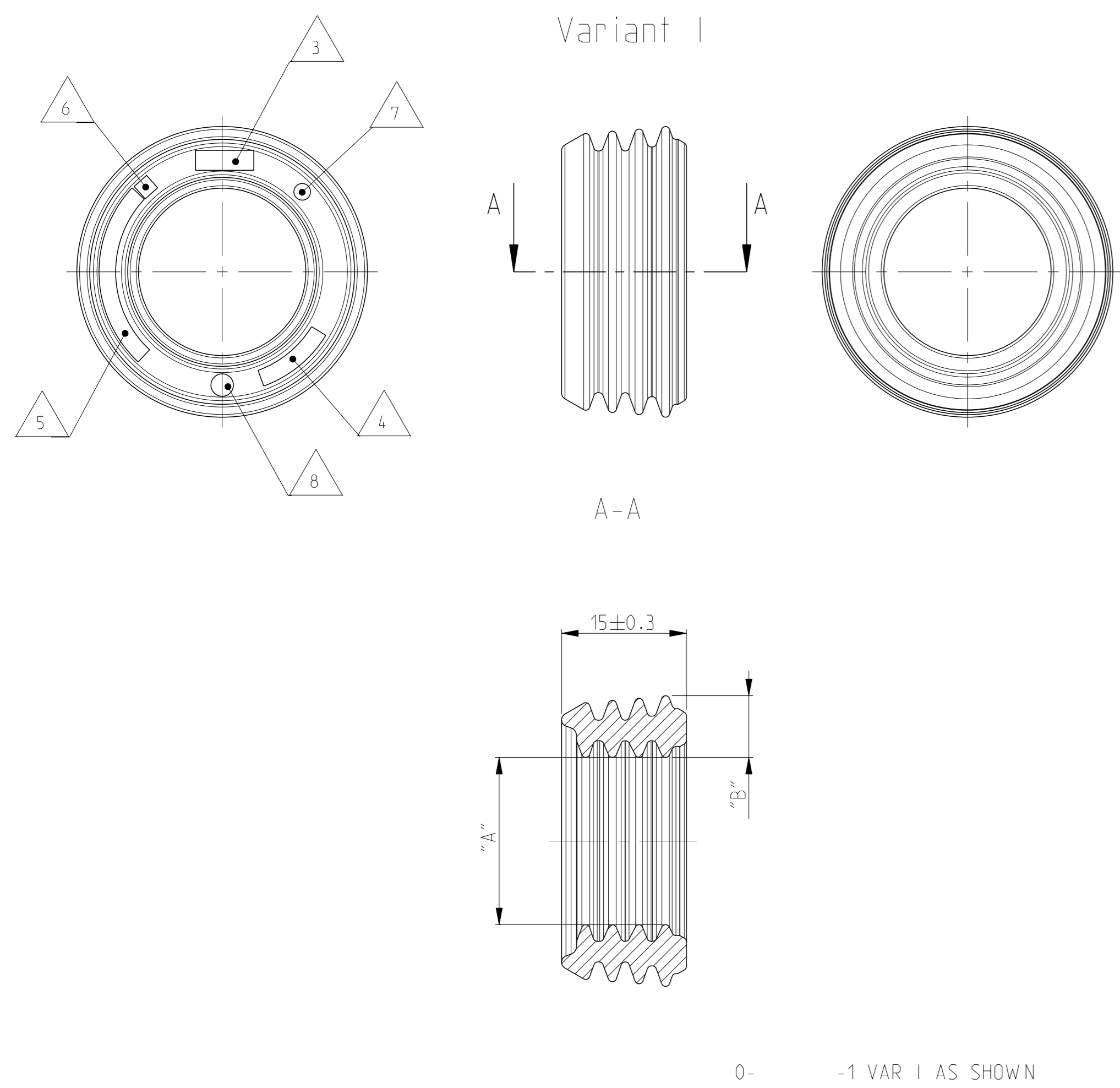


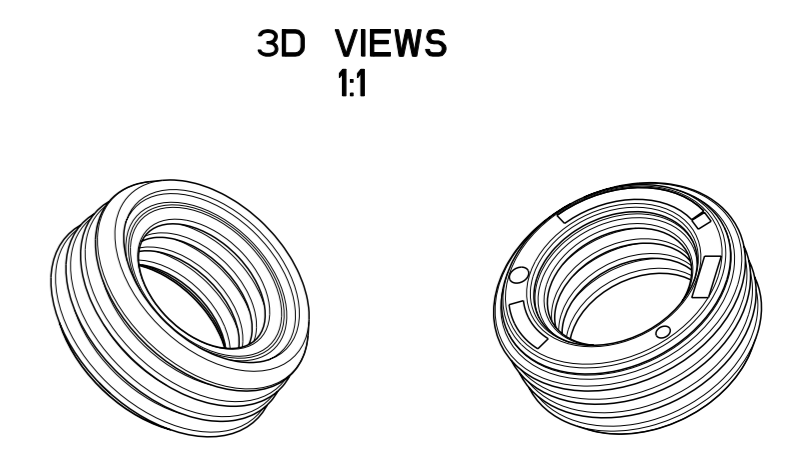
PROJECT NO: PRJ-19-000902256		REVISIONS			
#	CL#	DESCRIPTION	DATE	OWN	APVD
A1		DRAWING RELEASE	08APR2008	W MA	MEC
A2		DRAWING CLARIFICATION	17DEC2009	W MA	MEC
A3		NEW PART VARIANT ADDED IN BOM	30JUL2019	JJH	TS
A4		-3 VARIANT OBSOLETE	10APR2020	SK	TS



- 1 ONLY THE ENGLISH LANGUAGE VERSION IS AUTHORITATIVE
- 2 SUPPLIED FORM: LOOSE PIECE PACKED INTO AIR TIGHT POLYETHYLENE PACKET
- 3 SUPPLIER MARK
- 4 MATERIAL IDENTIFICATION
- 5 TE Connectivity PART NO.: SEE TABLE
- 6 ACTUAL REVISION: EXCHANGEABLE FOR LETTERS ONLY
- 7 NEST IDENTIFICATION
- 8 DATE CODE

NOTE	FEATURE	TE Connectivity - No.
9	USE ON 1POS. TERMINAL SCREWED, ASSY SEE OVERVIEW DRAWING - IPT 70 - 120mm ²	1670904
10	PRODUCT-SPEC.	108-94026
11	APPLICATION.-SPEC	114-18769

TITLE	MASS [gr]	TE Connectivity ORDER-NO.	REV	VAR	MATERIAL	SURFACE COLOUR	FOR WIRE SIZE [mm ²]	WIRE DIAMETER [mm]	DIM "A" [mm]	DIM "B" [mm]
SINGLE WIRE SEAL, PLUG TERM	7.27	1670820-3	A	III	Silopren LSR 3485/35 A 0-0704300-1 / -2	BLUE/blau RAL 5015	95 (H+S)	Ø19.9±0.4	Ø18.1±0.3	8.4±0.3
SINGLE WIRE SEAL, PLUG TERM	8.8	1670820-2	A	II	Silopren LSR 3485/35 A 0-0704300-1 / -2	GREEN/gruen SIM./aehnl. RAL 6010	70	Ø17.6±0.4	Ø14.8±0.4	10.1±0.3
SINGLE WIRE SEAL, PLUG TERM	6.8	1670820-1	A	I	Silopren LSR 3485/35 A 0-0704300-1 / -2	NATURAL natur	95 / 120	Ø21.5±0.5	Ø20.1±0.3	7.4±0.3



THIS DRAWING IS A CONTROLLED DOCUMENT. DIMENSIONING AND TOLERANCING PER GPS (ISO STANDARDS) UNLESS OTHERWISE SPECIFIED.

APPROVED: W. MAIER 08APR2008, M. ECKEL 08APR2008, J. WOLLER 08APR2008

NAME: SINGLE WIRE SEAL, PLUG TERM
Enzelleitungsichtung, Stecker-Einheit

SIZE: A | CAGE CODE: 00779 | DRAWING NO: 1670820 | RESTRICTED TO: A4

SCALE: 2:1 | SHEET: 1 OF 1 | REV: A4