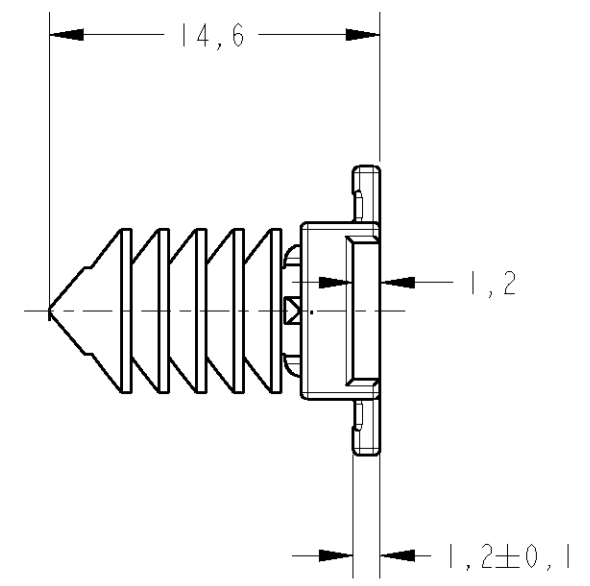
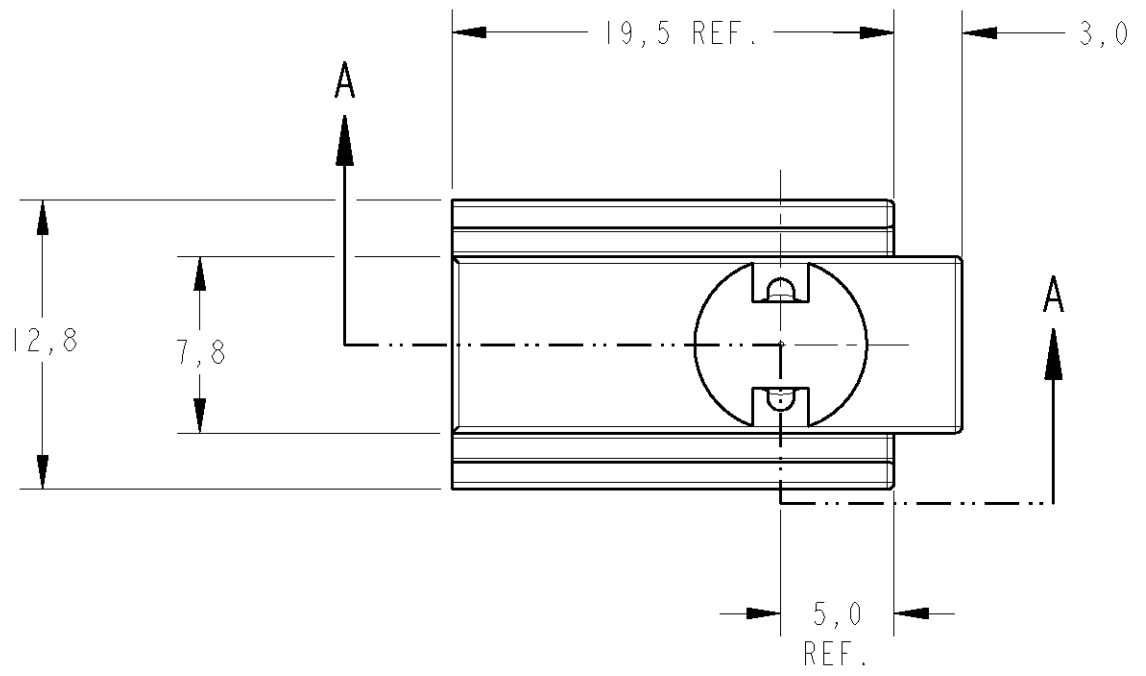


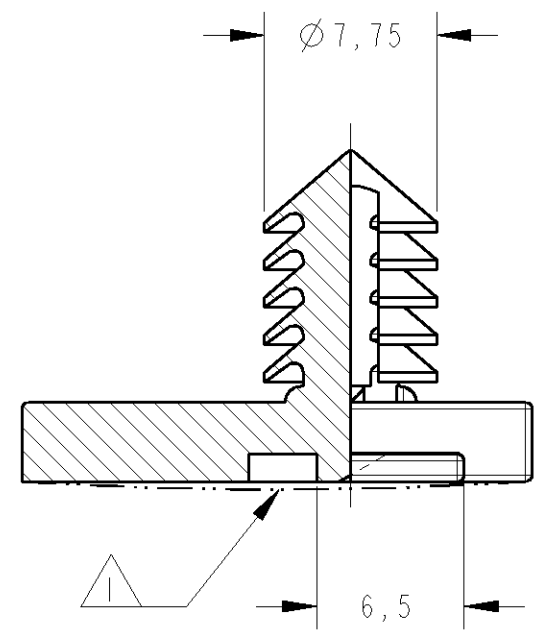
THIS DRAWING IS UNPUBLISHED. RELEASED FOR PUBLICATION 20
 © COPYRIGHT 20 BY TYCO ELECTRONICS CORPORATION. ALL RIGHTS RESERVED.

CAD
 Pro-E
 DO NOT REVISE
 EXCEPT BY CAD

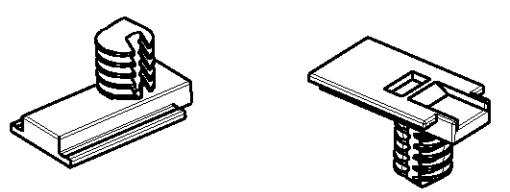
LOC	DIST	REVISIONS			
P	LTR	DESCRIPTION	DATE	DWN	APVD
	0	RELEASED BY EC LB00-0184/04	08APR2004	MRB	PLF
	A	REVISED BY EC LE10-0120/04	04AUG2004	EL	PLF



GRAVAÇÃO MARKING
LOGOTIPO TYCO TYCO LOGO
NOMENCLATURA MATERIAL MATERIAL NOMENCLATURE
NÚMERO COMPONENTE TYCO TYCO COMPONENT NUMBER
NÚMERO CAVIDADE CAVITY NUMBER
REV+ LETRA REV.DA PEÇA REV.+ PART REV.LETTER



- △ - EMPENAMENTO PERMITIDO: 0,4 MÁX. △ - WARPAGE PERMITTED: 0,4 MAX.
- 2 - FURO PADRÃO DE MONTAGEM: 6,5±0,2. 2 - ASSEMBLING STANDARD HOLE: 6,5±0,2.
- 3 - ESPESSURA DA CHAPA: 0,56 A 5,10. 3 - PLATE THICKNESS: 0,56 TO 5,10.



PERSPECTIVE VIEWS
SCALE 1:1

SECTION A-A
SCALE 3:1

—	CINZA / GRAY	PA 6.6	1599358-1
RAW MAT'L NO	FINISH	MATERIAL	PART NUMBER

<small>THIS DRAWING IS A CONTROLLED DOCUMENT FOR TYCO ELECTRONICS CORPORATION IT IS SUBJECT TO CHANGE AND THE CONTROLLING ENGINEERING ORGANIZATION SHOULD BE CONTACTED FOR THE LATEST REVISION.</small>		DWN M.R.BRIZ 24MAR2004	tyco Electronics		TYCO ELECTRONICS do Brasil LTDA. Sao Paulo, Brasil
DIMENSIONS: mm		CHK P.L.FARIA 30MAR2004	NAME CHRISTMAS TREE WITHOUT GASKET		
TOLERANCES UNLESS OTHERWISE SPECIFIED: 0 PLC ±- 1 PLC ±0,3 2 PLC ±- 3 PLC ±- 4 PLC ±- ANGLES ±1°		APVD M.RODRIGUES 30MAR2004	RESTRICTED TO		
MATERIAL SEE TABLE		PRODUCT SPEC	SIZE A3	CAGE CODE 00779	DRAWING NO C=1599358
FINISH SEE TABLE		APPLICATION SPEC	SCALE 4:1		SHEET OF REV A
		WEIGHT	CUSTOMER DRAWING		