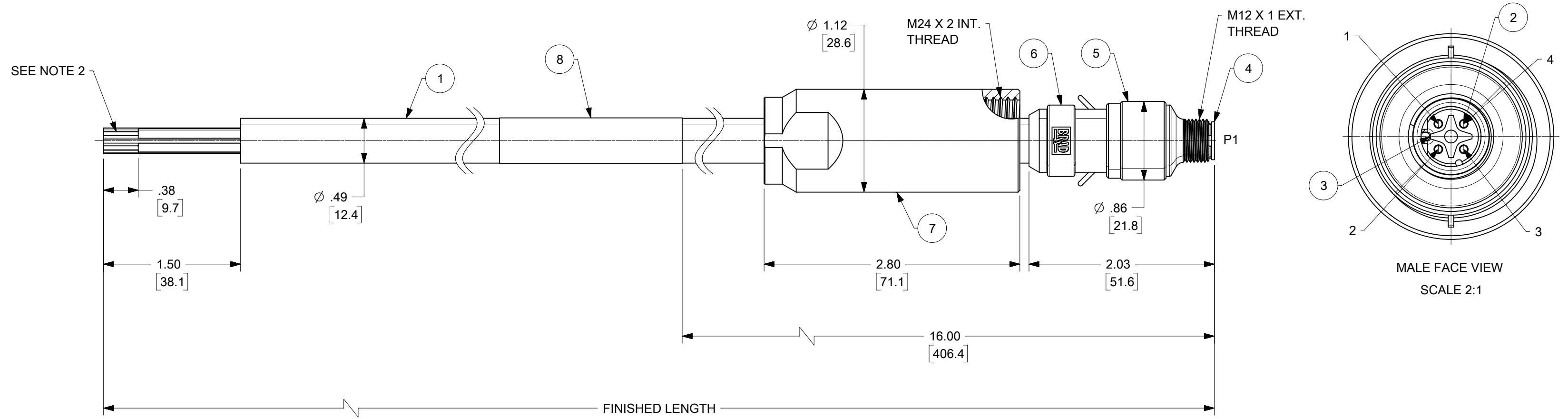
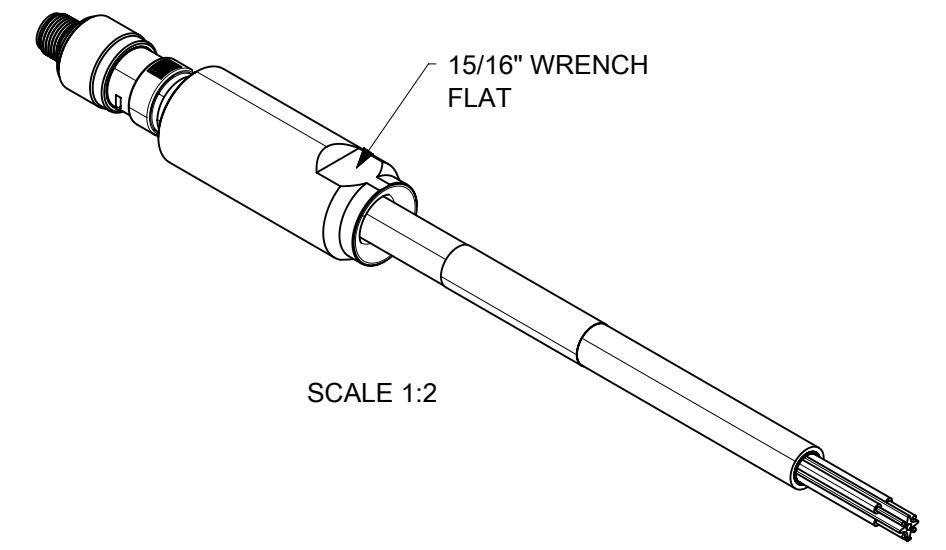
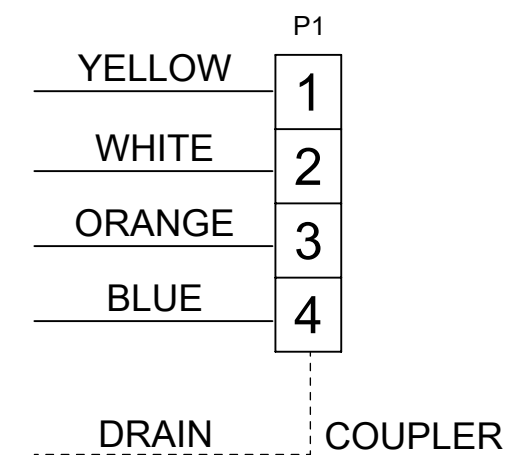


MATERIAL NO.	ENGINEERING NO.	FINISHED LENGTH
1303045001	1303045001	0.3M +19.1mm -0 [0.98' +0.75" -0]
1303045003	1303045003	1.0M +55.6mm -0 [3.28' +2.19" -0]
1303045004	1303045004	2.0M +88.9mm -0 [6.56' +3.50" -0]
1303045005	1303045005	3.0M +88.9mm -0 [9.84' +3.50" -0]
1303045007	1303045007	5.0M +165.1mm -0 [16.40' +6.50" -0]
1303045012	1303045012	10.0M +317.5mm -0 [32.81' +12.50" -0]
1303045022	1303045022	15.0M +622.3mm -0 [49.21' +24.50" -0]



NOTES:

1. COMPLIES WITH SAE J2839
2. FREE END OF STRENGTH MEMBER MUST BE PROPERLY SECURED TO COMPLY WITH SAE J2839
3. ASSEMBLY IS FULLY SHIELDED
4. ELECTRICAL RATINGS:
VOLTAGE 125V
CURRENT: 1.5AMPS MAX
5. COUPLING NUT TORQUE: HAND TIGHT
MIN SUPPORT COVER TORQUE: 20 FT-LBS
6. MATERIALS: SEE TABLE
7. FINISHES: SEE TABLE
8. ASSEMBLY IS RoHS COMPLIANT
9. DIMENSIONS ARE REFERENCE ONLY UNLESS TOLERANCED OR OTHERWISE NOTED



WIRING DIAGRAM
SEE NOTE 3

ITEM	DESCRIPTION	MATERIAL	FINISH
8	LABEL	VINYL	BLACK/YELLOW
7	SUPPORT COVER	STAINLESS STEEL	PASSIVATED
6	OVERMOLD	PBT	GREY
5	MALE COUPLING NUT, M12	STAINLESS STEEL	PASSIVATED
4	MALE HOUSING, D-CODE	ZINC DIE-CAST	CHROME
3	MALE INSULATOR, 4C	PBT	BLACK
2	CONTACT PIN, 18AWG	Cu ALLOY	GOLD PLATED
1	CABLE, 18AWG, 4/C, SHIELDED	XRAD XLE JACKET	SEE WIRE DIAGRAM

SYMBOLS		THIS DRAWING CONTAINS INFORMATION THAT IS PROPRIETARY TO MOLEX ELECTRONIC TECHNOLOGIES, LLC AND SHOULD NOT BE USED WITHOUT WRITTEN PERMISSION	
▽ = 0	DIMENSION UNITS	SCALE	CURRENT REV / DESC: ADD 1303045022
▽ = 0	HYBRID	1:1	
▽ = 0	GENERAL TOLERANCES (UNLESS SPECIFIED)		
▽ = 0	4 PLACES	±	EC NO: 615993
▽ = 0	3 PLACES	±	DRWN: MZIELINSKI 2019/04/22
▽ = 0	2 PLACES	± 0.13 ± 0.01	CHK'D: MZIELINSKI 2019/05/03
▽ = 0	1 PLACE	± 0.3 ±	APPR: BWOODMAN 2019/05/06
▽ = 0	0 PLACES	±	INITIAL REVISION:
▽ = 0	ANGULAR TOL	± 1.0 °	DRWN: LHARTMANN 2011/01/14
▽ = 0	DRAFT WHERE APPLICABLE MUST REMAIN WITHIN DIMENSIONS		APPR: BWOODMAN 2015/12/02
▽ = 0	THIRD ANGLE PROJECTION	DRAWING	SERIES
		C-SIZE	130304

molex			
M12 EX 300LB PORTABLE 4P M/MP ST E-NET #18/4 BLACK XLPE CABLE			
PRODUCT CUSTOMER DRAWING			
DOCUMENT NUMBER	DOC TYPE	DOC PART	REVISION
SD-130304-021	PSD	001	D
MATERIAL NUMBER	CUSTOMER	SHEET NUMBER	
	GENERAL MARKET	1 OF 1	