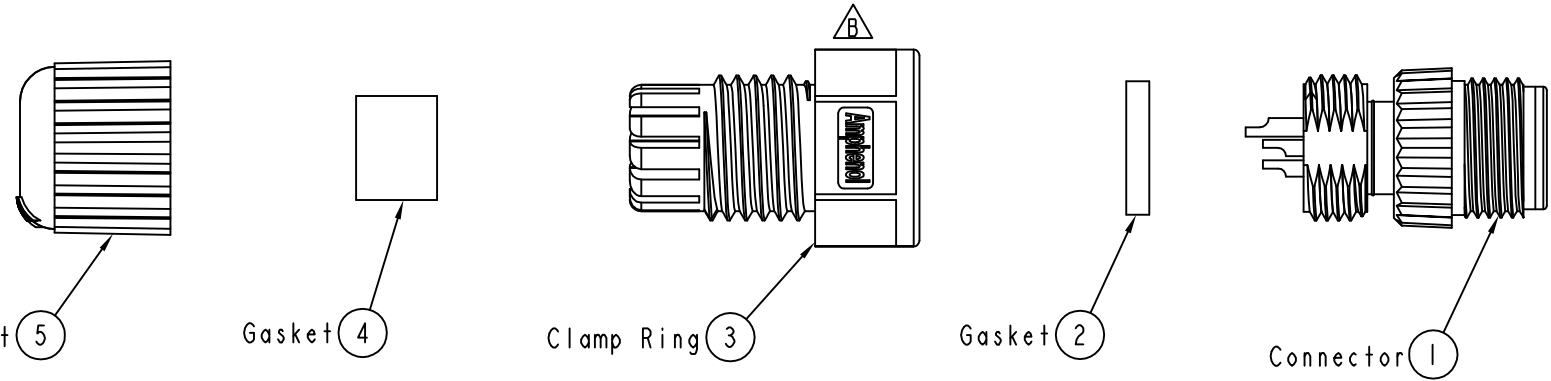


REV.	ECN NO.	DATE	SIGN	DESCRIPTION
B	LEN1480610	2014/08/12	Rita	Update Logo

ALTW  
CONFIDENTIAL  
2014-08-12  
R&D DEPT.

ALTW  
DCC. DEPT.  
CONFIDENTIAL  
2014.09.01  
ISSUED



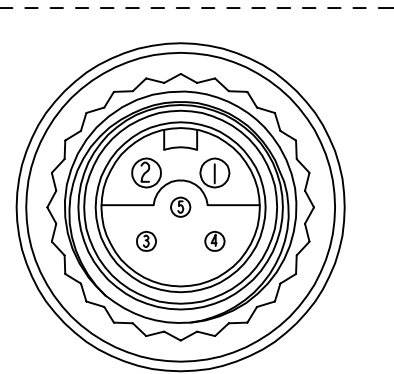
Sealing Nut ⑤

Gasket ④

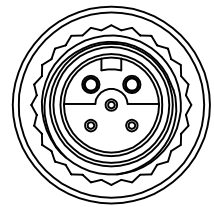
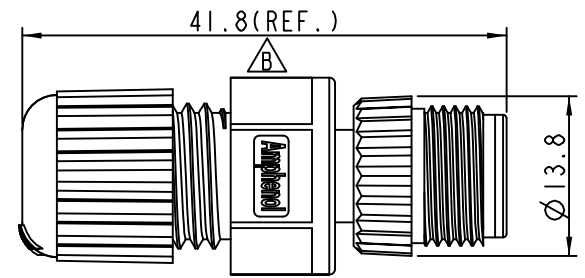
Clamp Ring ③

Gasket ②

Connector ①



Pin Assignments  
Front View



Conn.

- Note:
- \*  $\varnothing$  Important Dimension.
  - \* Waterproof Rate: IP68
  - \* Housing: Black, Nylon+GF
  - \* Pin: Copper Alloy, Gold Plated
  - \* Nut: Black, Nylon+GF
  - \* Gasket: Black, EPDM
  - \* Clamp Ring: Black, Nylon
  - \* Sealing Nut: Black, Nylon
  - \* Seal: Black, EPDM
  - \* Seal For Cable OD:  $\varnothing$ 4.5mm~ $\varnothing$ 6.5mm

UNIT: mm		
TOLERANCE	.X ±0.25	
	.XX ±0.1	
	.XXX ±0.05	
ANGLES	±1°	

TITLE M12 Conn, Assy Screw 5Pin M Conn. C Pin			
SCALE	3:2	SIZE	A4
		SHEET	1 OF 1
REV.	B	WC-REV.	A.3
		$\varnothing$	Inspection item

**Amphenol LTW**  
安費諾亮泰企業股份有限公司

ITEM NO	12P-05BM1A-SL8001
DWG NO	12P-05BM1A-SL8001
CUSTOMER	ALTW

DRAWN BY	Rita
CHECKED BY	Kris
APPROVED BY	Wenmao

DATE	2014-08-12
DATE	2014-08-12
DATE	2014-08-12

THIS DOCUMENT IS SUBJECT TO CHANGE WITHOUT NOTICE. IT IS CONFIDENTIAL AND A PROPERTY OF Amphenol LTW. DISCLOSURE TO THIRD PARTY HAS TO BE AUTHORIZED BY Amphenol LTW.