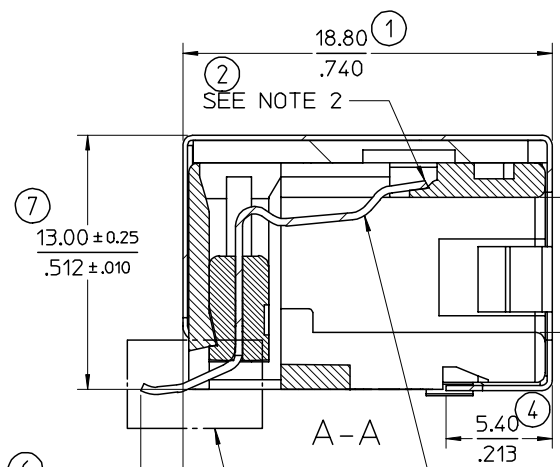
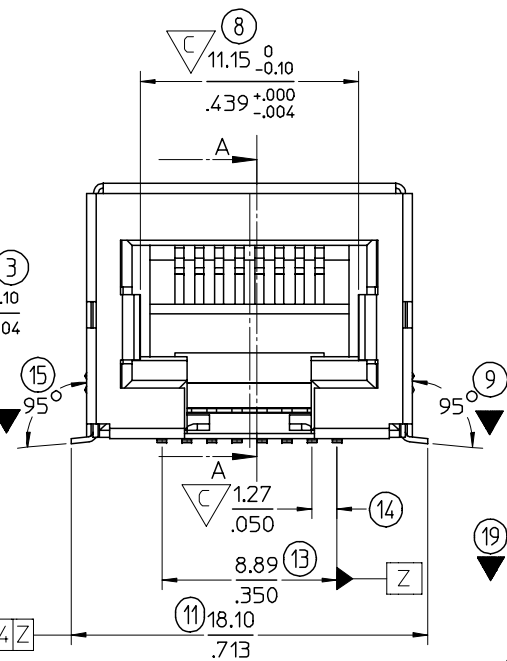


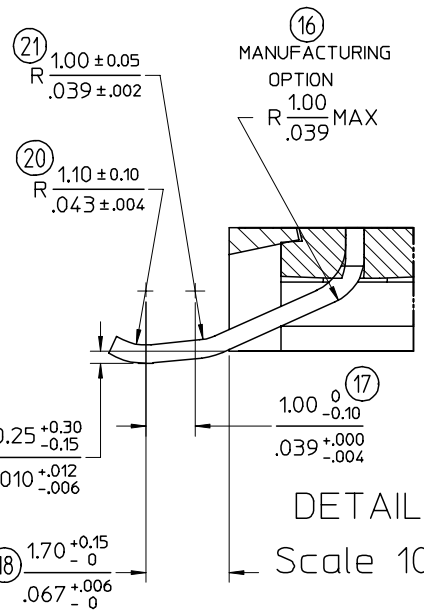
VERSION B



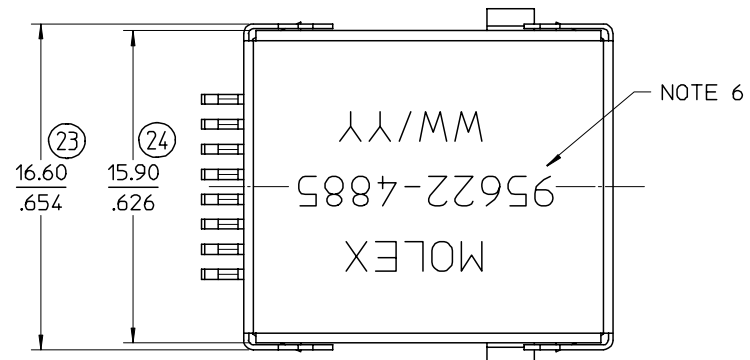
DETAIL 1
Scale 10:1



VERSION A



DETAIL 1
Scale 10:1



NOTE 6

NOTES:

- 1- MODULE AND SHIELD PUSH OUT FORCE 20 NEWTONS (4.40 lbs) MIN.
- 2- CUTTING BURRS NOT PERMISSABLE, TERMINALS MUST MOVE FREELY BETWEEN SEPARATING RIBS.
- 3- GOLD PLATING ON THIS SURFACE
- 4- COPLANARITY OF COLDER TAILS 0.10MAX
- 5- PACKAGING SPECIFICATION: SEE CHART (BLISTER ON REEL)
- 6- IMPRINT FOR P/N: 95622-4885 WITH INK-LETTERS: "MOLEX*P/N: *95622-4885" *WW(WEEK / YY(YEAR))

ENG No.	HOUSING SIZE	VERSION	HOUSING ENG.No.	MODULE ENG.No.	BLANK SHIELD ENG.No.	HOUSING WITH MODULE ENG.No.	PLASTIC COVER ENG.No.	PACKAGING SPEC
95622-4883	8	A	95622-9883	95506-5189	95121-0006	95622-6803	95631-0881	PK-95122-002
95622-4884		B			95121-0803			PK-95122-003
95622-4885		A			95121-0006			PK-95122-002

CORRECTED PKG SPEC EC NO: E2007-0335 2006/11/09 DRWN:DBYRNES 2006/11/09 CHKD: APPR:EOMAHONY 2006/11/13	QUALITY SYMBOLS ▽=4 ▽=3	GENERAL TOLERANCES (UNLESS SPECIFIED)		DIMENSION STYLE MM/IN		SCALE 4:1	DESIGN UNITS METRIC	THIRD ANGLE PROJECTION	
						DRAWN BY DBYRNES		DATE 2006/07/27	
						CHECKED BY DBYRNES		DATE 2006/07/28	
						APPROVED BY EOMAHONY		DATE 2006/07/28	
		ANGULAR ± 2 °		MATERIAL NO.		DOCUMENT NO.		SHEET NO.	
		DRAFT WHERE APPLICABLE MUST REMAIN WITHIN DIMENSIONS		SEE CHART		E-95622-006		1 OF 1	
				SIZE A3		THIS DRAWING CONTAINS INFORMATION THAT IS PROPRIETARY TO MOLEX INCORPORATED AND SHOULD NOT BE USED WITHOUT WRITTEN PERMISSION			

TITLE
FULLY SHIELDED R/A ASSY
MODULAR JACK
8 CIRCUIT

MOLEX MOLEX INCORPORATED