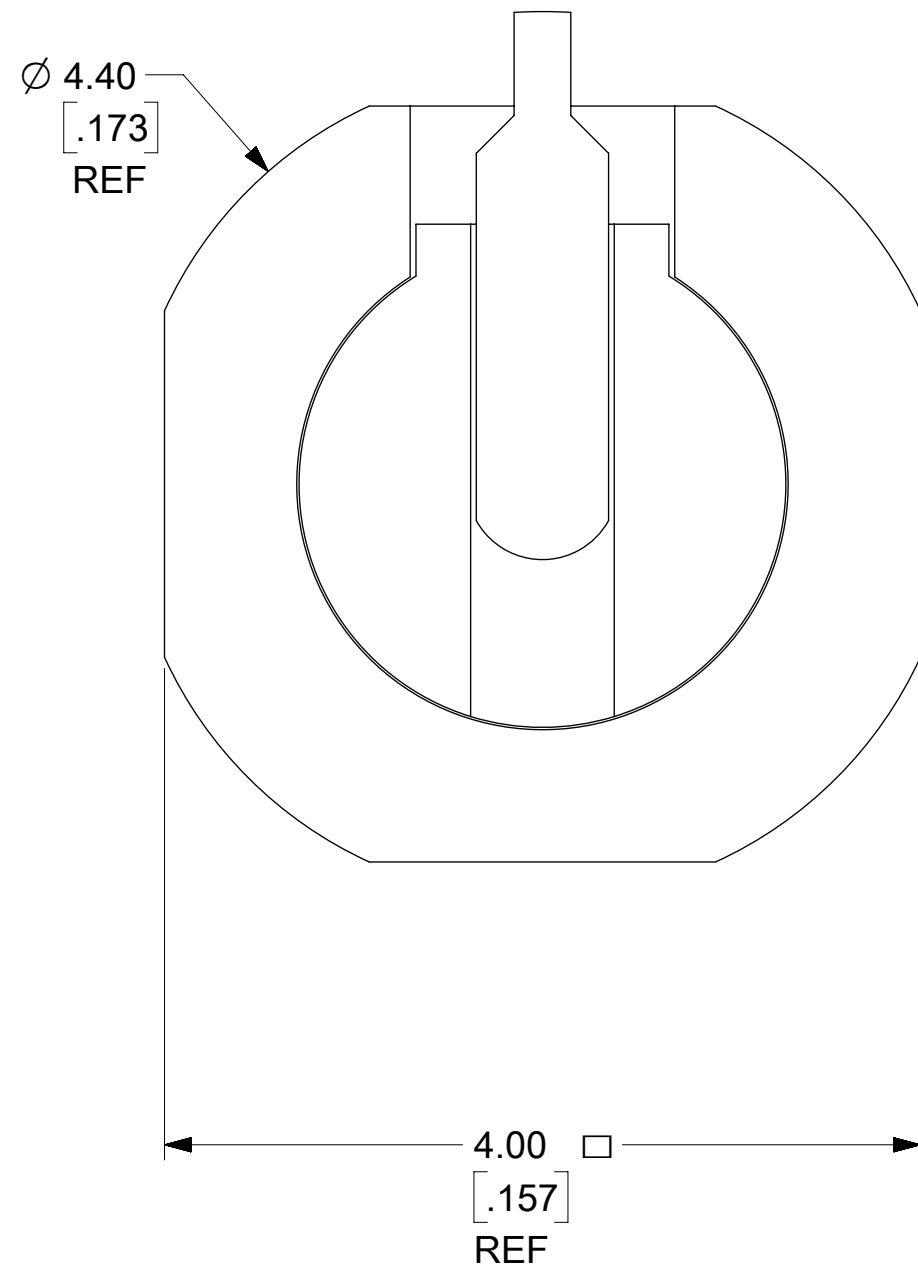
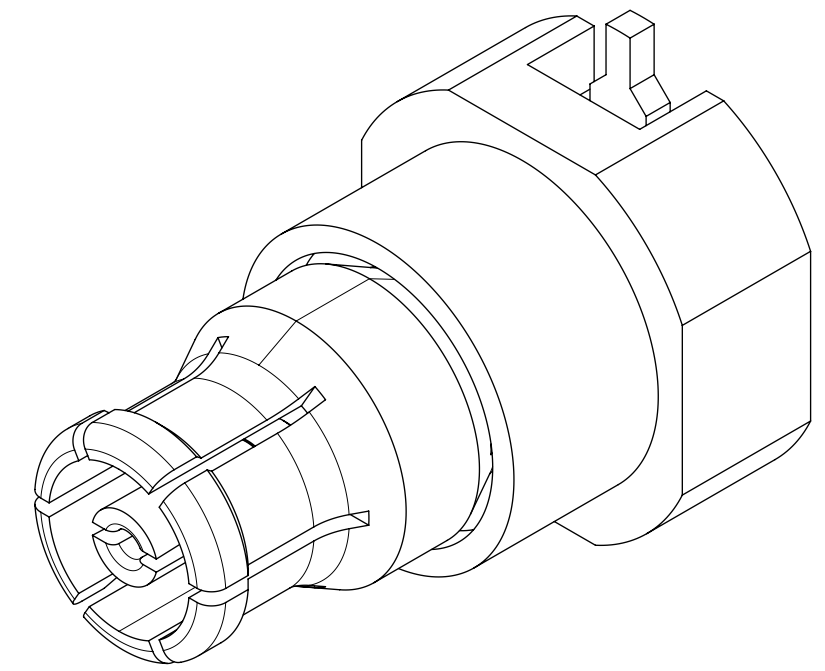


MATERIALS AND FINISHES:

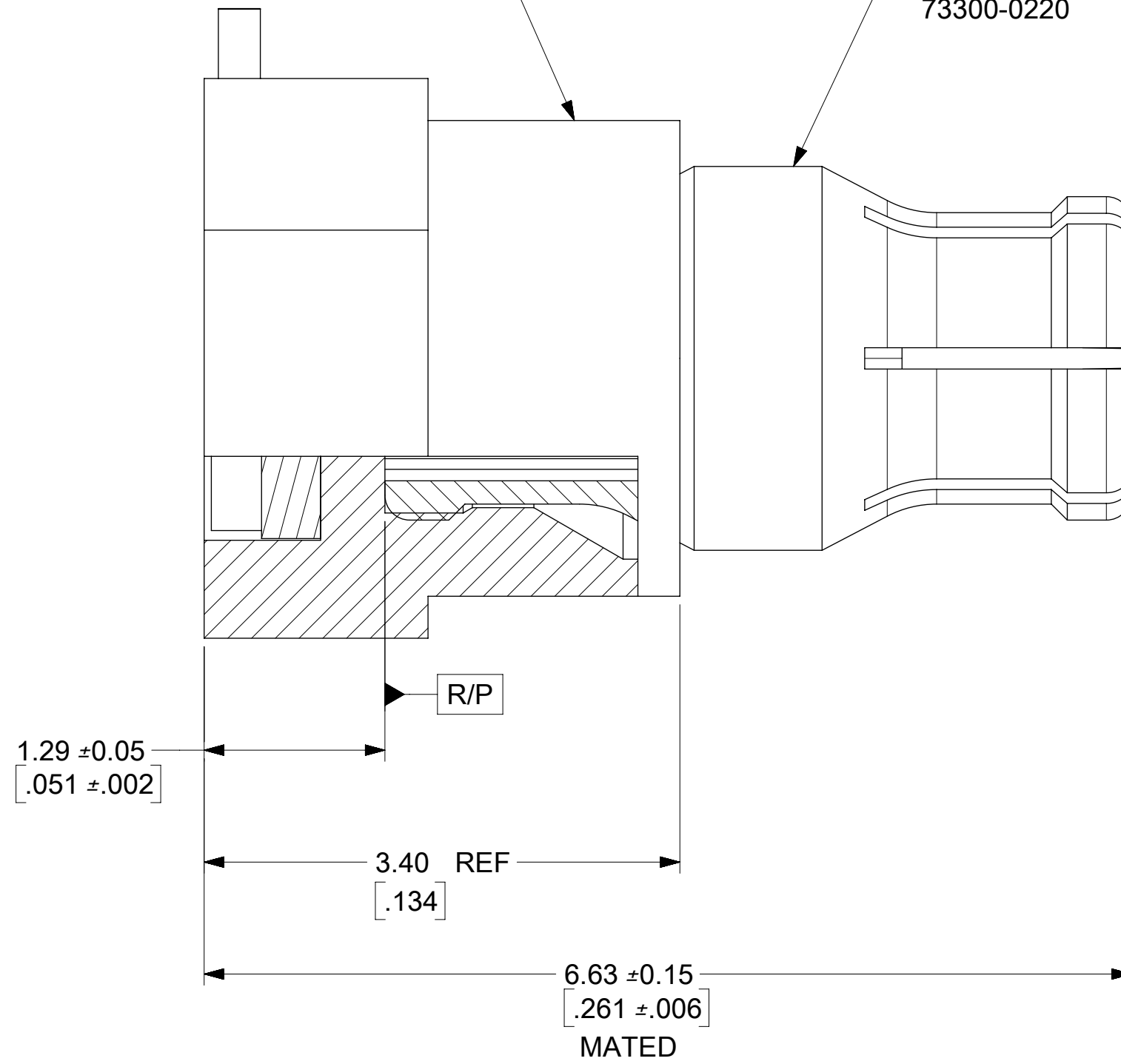
SMPM PCB FULL DETENT RECEP-TALCE:
SEE SD-73300-046

SMPM BULLET:
SEE SD-73300-022



SMPM FULL DETENT
RECEP-TACLE
73300-0460

SMPM BULLET
73300-0220



73300-0572	TAPE AND REEL WITH KAPTON TAPE
73300-0571	TAPE AND REEL (800 PCS)
73300-0570	SMPM PLUG FULL DETENT INTERFACE (TRAY)
PART NO.	DESCRIPTION

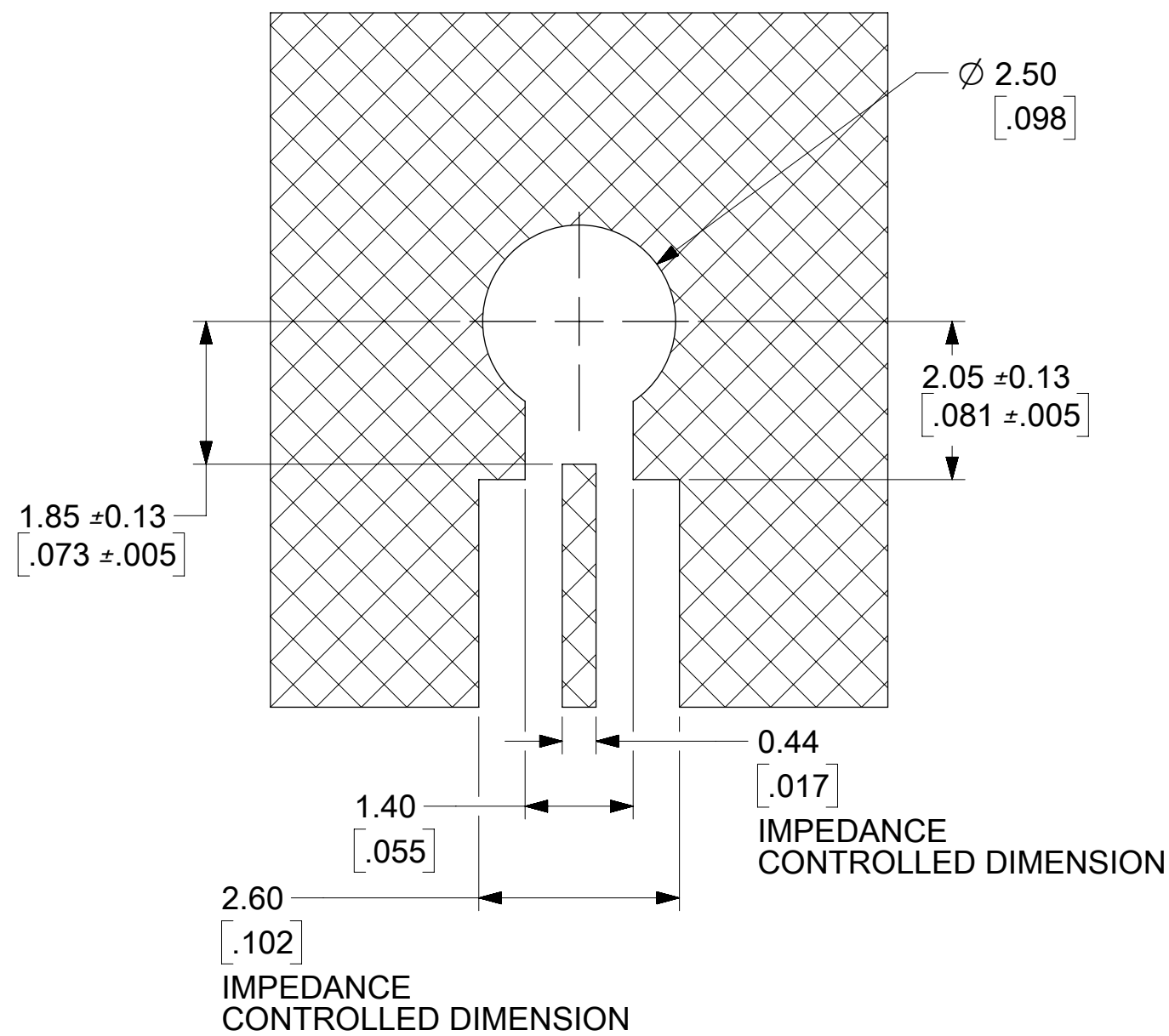
SYMBOLS DIMENSION UNITS: MM/IN SCALE: NTS GENERAL TOLERANCES (UNLESS SPECIFIED): 4 PLACES ± 3 PLACES ± 2 PLACES ± 1 PLACE ± 0 PLACES ± ANGULAR TOL ± ° DRAFT WHERE APPLICABLE MUST REMAIN WITHIN DIMENSIONS THIRD ANGLE PROJECTION DRAWING SERIES: C-SIZE 73300	THIS DRAWING CONTAINS INFORMATION THAT IS PROPRIETARY TO MOLEX ELECTRONIC TECHNOLOGIES, LLC AND SHOULD NOT BE USED WITHOUT WRITTEN PERMISSION		CURRENT REV DESC: EC NO: 627990 DRWN: SSSHAH 2019/11/20 CHK'D: BSHAH 2019/12/04 APPR: AROBERTSON 2019/12/05					
	INITIAL REVISION: DRWN: JLEE02 2014/11/11 APPR: AROBERTSON 2015/03/27		PRODUCT CUSTOMER DRAWING					
	DOCUMENT NUMBER: SD-73300-057		DOC TYPE: PSD		DOC PART: 001		REVISION: A2	
	MATERIAL NUMBER: SEE TABLE		CUSTOMER:		SHEET NUMBER: 1 OF 2			

DOCUMENT STATUS	P1	RELEASE DATE	2019/12/05 14:20:27
-----------------	----	--------------	---------------------

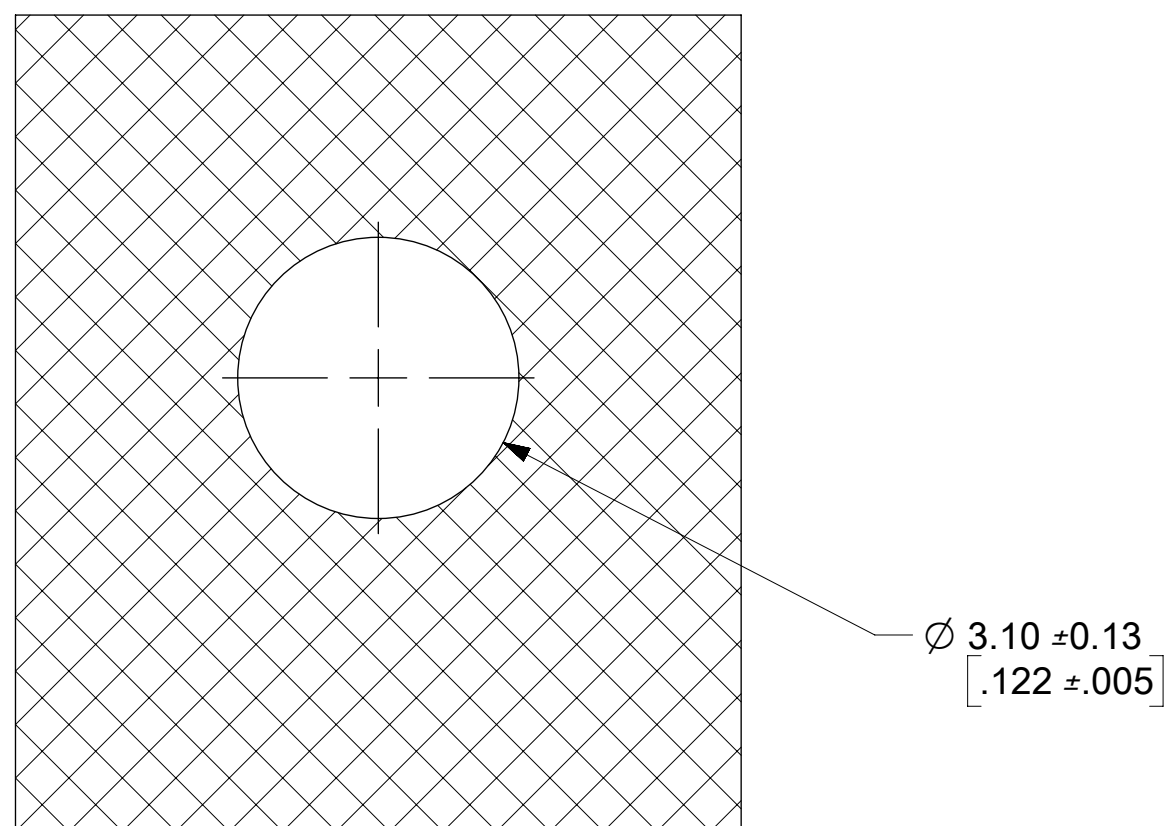
PCB CONNECTOR LAUNCH / PAD (FOR REFERENCE ONLY)

ALL HATCHED SURFACES SHOWN BELOW ARE COPPER (Cu)

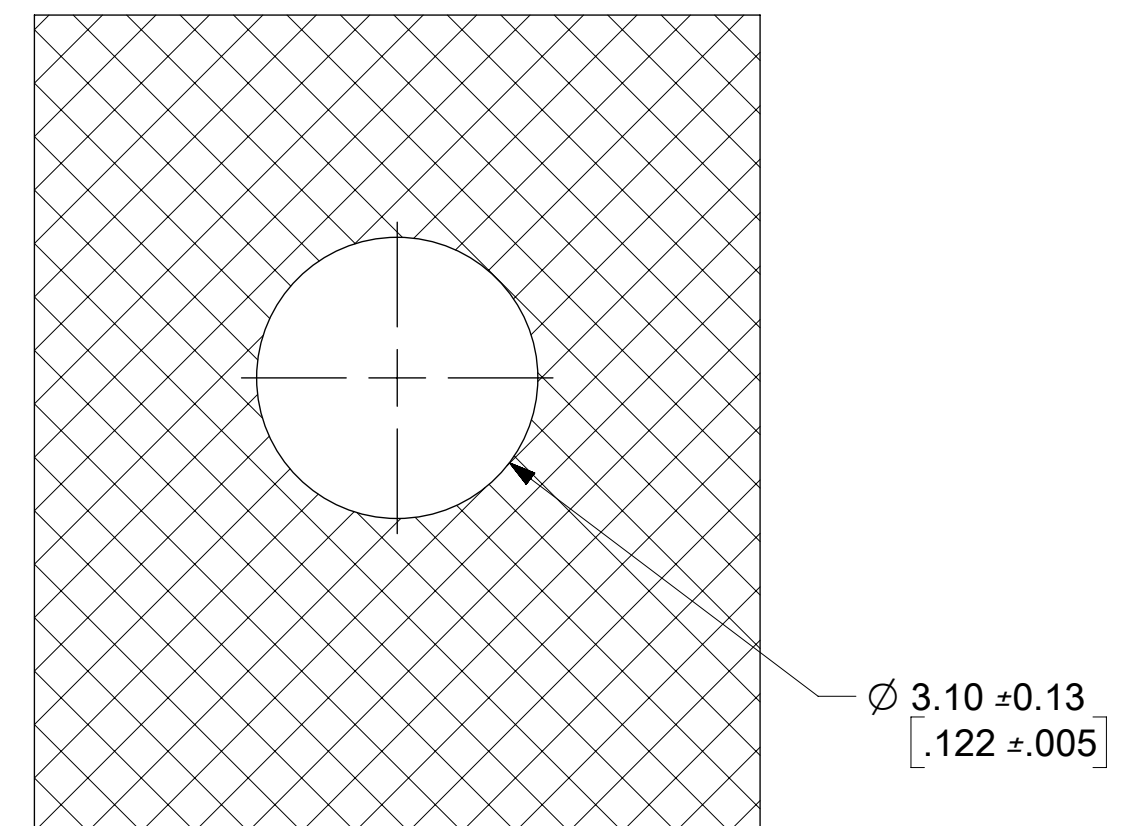
MOUNTING & SIGNAL LAYER
(LAYER 1)



REFERENCE LAYER
(LAYER 2)



SUBSEQUENT LAYERS



PCB STACK UP

LAYER	MATERIAL	Dk	THICKNESS (mil)
1	Copper + PLATING		2.1
	FR4	4.3	10.0
2	Copper		0.6
	FR4	4.3	10.0
3	Copper		0.6
	FR4	4.3	10.0
4*	Copper		0.6

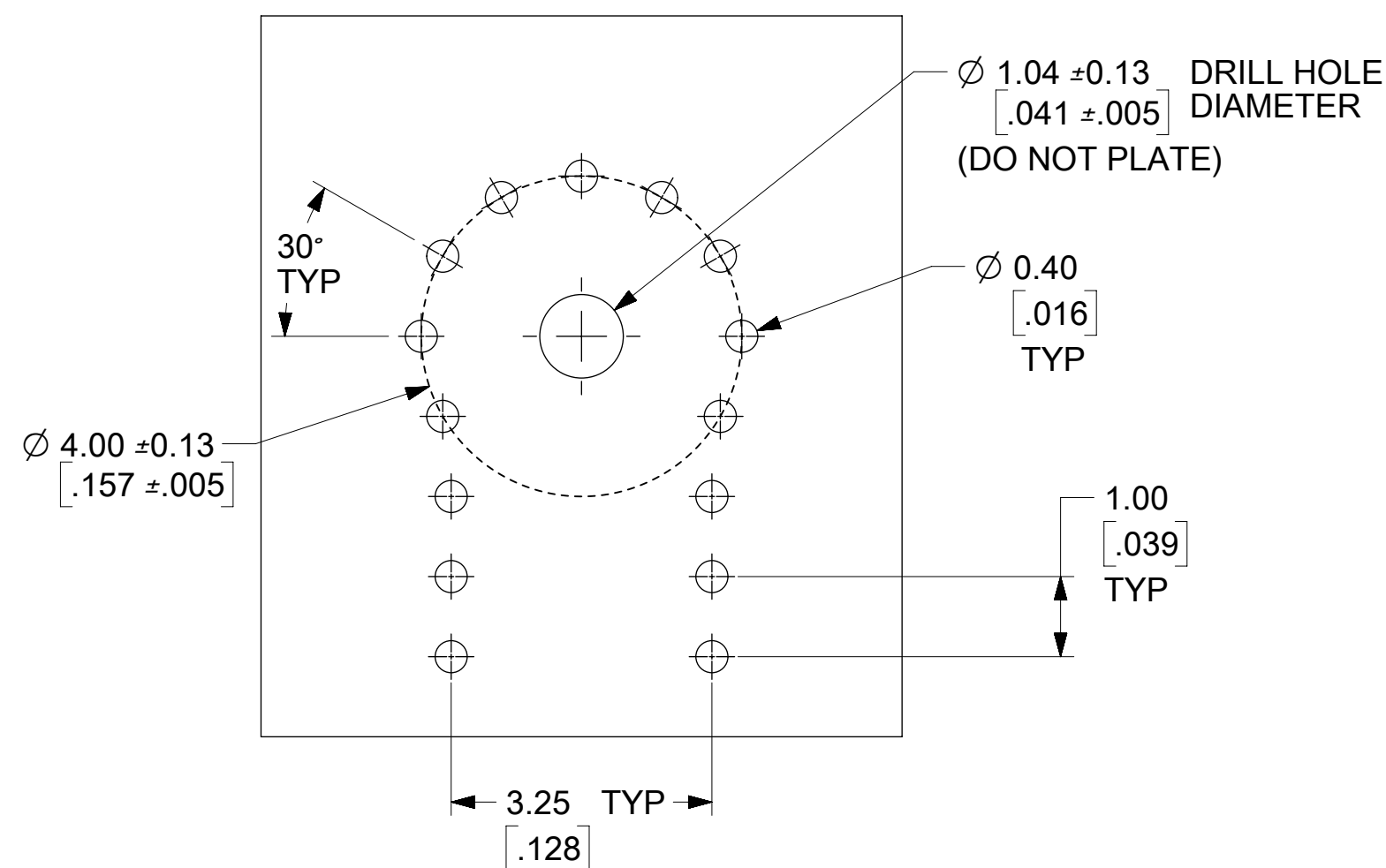
* SUBSEQUENT LAYERS MAY BE ADDED AS REQUIRED FOR INDIVIDUAL APPLICATIONS

TYPICAL PERFORMANCE CHARACTERISTICS
WITH CONNECTOR AND PCB LAUNCH SHOWN

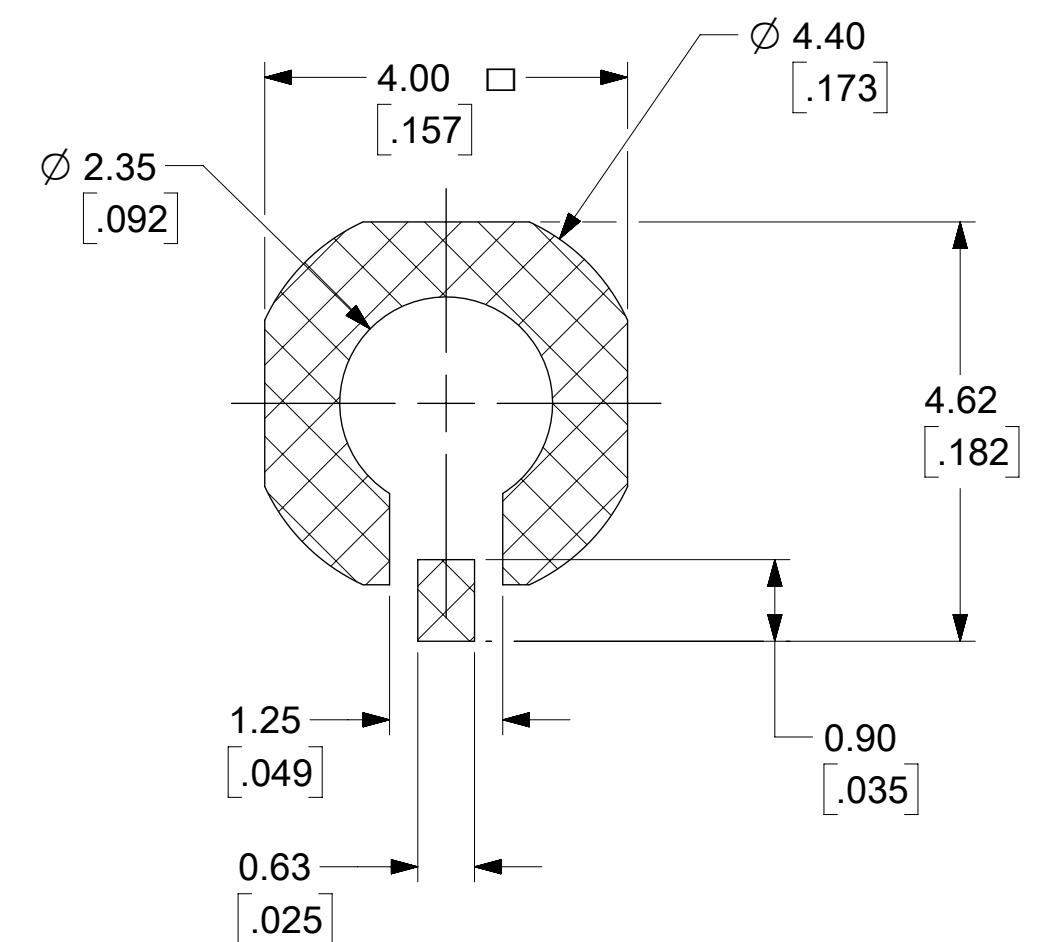
VSWR (FULLY MATED)	FREQUENCY BAND
1.4	DC TO 18 GHz

VARYING PCB STACKUPS AND PCB LAUNCH WILL RESULT IN VARYING RESULTS
CONTACT MOLEX RF / MICROWAVE FOR APPLICATION SPECIFIC ASSISTANCE

VIAS AND DRILL HOLE



SOLDER MASK



SYMBOLS DIMENSION UNITS: MM/IN SCALE: NTS CURRENT REV DESC: EC NO: 627990 DRWN: SSSHAH 2019/11/20 CHK'D: BSHAH 2019/12/04 APPR: AROBERTSON 2019/12/05 INITIAL REVISION: DRWN: JLEE02 2014/11/11 APPR: AROBERTSON 2015/03/27 ANGULAR TOL: ± ° DRAFT WHERE APPLICABLE MUST REMAIN WITHIN DIMENSIONS THIRD ANGLE PROJECTION DRAWING SERIES: C-SIZE 73300	THIS DRAWING CONTAINS INFORMATION THAT IS PROPRIETARY TO MOLEX ELECTRONIC TECHNOLOGIES, LLC AND SHOULD NOT BE USED WITHOUT WRITTEN PERMISSION																
	GENERAL TOLERANCES (UNLESS SPECIFIED) <table border="1"> <tr> <td>4 PLACES</td> <td>±</td> <td>±</td> </tr> <tr> <td>3 PLACES</td> <td>±</td> <td>±</td> </tr> <tr> <td>2 PLACES</td> <td>±</td> <td>±</td> </tr> <tr> <td>1 PLACE</td> <td>±</td> <td>±</td> </tr> <tr> <td>0 PLACES</td> <td>±</td> <td>±</td> </tr> </table>			4 PLACES	±	±	3 PLACES	±	±	2 PLACES	±	±	1 PLACE	±	±	0 PLACES	±
4 PLACES	±	±															
3 PLACES	±	±															
2 PLACES	±	±															
1 PLACE	±	±															
0 PLACES	±	±															
molex SMPM KIT, P SMT PCB FD WITH BULLET INSTALLED EWR-13431, SMPM-PCB/BULLET PRODUCT CUSTOMER DRAWING		DOCUMENT NUMBER: SD-73300-057 DOC TYPE: PSD DOC PART: 001 REVISION: A2															
DOCUMENT STATUS: P1 RELEASE DATE: 2019/12/05 14:20:27	MATERIAL NUMBER: SEE TABLE CUSTOMER:	SHEET NUMBER: 2 OF 2															