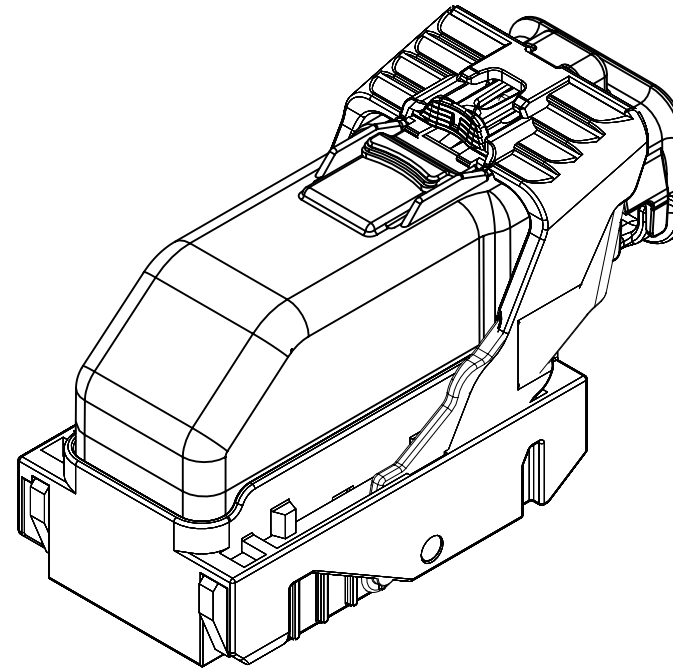

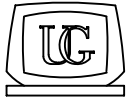


| INDEX | |
|---|------|
| PAGE TITLE | PAGE |
| TITLE BLOCK | 1 |
| REVISION BLOCK | 2 |
| PART BLOCK | 3 |
| KPC BLOCK | 4 |
| COMPONENT TABLE | 5 |
| NOTES | 6 |
| NOTES | 7 |
| WIRE DRESS PACKAGING DIMENSIONS | 8 |
| LOCATION AND PACKAGING DIMENSIONS REFERENCING INTERFACE DATUMS B & C | 9 |
| LOCATION AND PACKAGING DIMENSIONS REFERENCING INTERFACE DATUM A | 10 |
| KEY ID REF - WIRE DRESS OPTION 0 | 11 |
| KEY ID REF - WIRE DRESS OPTION 9 | 12 |
| CIRCUIT CONFIGURATIONS | 13 |
| CIRCUIT CONFIGURATIONS | 14 |
| COMPONENT CONNECTOR INTERFACE | 15 |
| COMPONENT CONNECTOR INTERFACE | 16 |
| COMPONENT CONNECTOR INTERFACE | 17 |
| COMPONENT CONNECTOR INTERFACE | 18 |
| COMPONENT CONNECTOR INTERFACE | 19 |
| COMPONENT CONNECTOR INTERFACE | 20 |
| COMPONENT CONNECTOR INTERFACE | 21 |




ISO VIEW

| | | | | |
|---|---|-------------------------------------|---|--|
|  | <p>UNLESS OTHERWISE SPECIFIED: THIS DOCUMENT IS IN ACCORDANCE WITH ASME Y14.5M-1994 AS AMMENDED BY THE GM GLOBAL DIMENSIONING AND TOLERANCING ADDENDUM-1997. ALL GEOMETRIC TOLERANCES AND RELATED DATUMS APPLY RFS. RULE #1 (PERFECT FORM AT MMC) DOES NOT APPLY WHEN A RELATIONSHIP BETWEEN FEATURES IS ESTABLISHED BY ORIENTATION OR LOCATION TOLERANCES. SEPARATE POSITION CALLOUTS MAY BE GAGED SEPARATELY REGARDLESS OF DATUM REFERENCES.</p> | | | DATE |
| |  CHANGE RESTRICTED NO MANUAL CHANGES | REFERENCE 12H (MOLEX AUTOMOTIVE) | DRAFTER J SZYMKOWSKI APVD1 D PFAFFINGER APVD2 B BURT APVD3 APVD4 APVD5 | 22DE05 22DE05 22DE05 |
| DO NOT SCALE | DRAWING NAME | | | |
| METRIC DIMENSIONS SHOWN IN MILLIMETERS UNLESS OTHERWISE SPECIFIED | HARNES CONN ASM 66/73/80 CKTS | | | |
| | DRAWING NUMBER 12642695 | DWG STATUS | | PAGE NUMBER 1 OF 21 |
| | | ST | REV | |
| | | R | 002 | |

| PAGE | DWG STATUS | | | | | REVISION HISTORY | AUTH | DR | CK | ENG |
|------|------------|----|-----|-----|-----|--|--------|-----|-----|-----|
| | DATE | ST | REV | CHG | PDI | | | | | |
| | 19DE11 | R | 001 | | | RELEASED TO PRODUCTION AT DLS A | CRMRJB | SC | MRO | GF |
| 3 | 08MY15 | R | 002 | A | | REORDERED PART BLOCK AND ADDED MASS CORRECTED P/N TYPO FROM 12562676 TO 12582676 | | | | |
| 3, 5 | | R | 002 | B | | ADDED 12659312, 12659313, 12653574 AND 12653575 | | | | |
| 6 | | R | 002 | C | | REMOVED NOTE 1 . D . 3 . C | | | | |
| 20 | | R | 002 | D | | DIM 125 WAS 3.25 DIM 131 WAS 5.5 | CRMRJD | DFK | MRO | GF |

| PAGE | DWG STATUS | | | | | REVISION HISTORY | AUTH | DR | CK | ENG |
|------|------------|----|-----|-----|-----|------------------|------|----|----|-----|
| | DATE | ST | REV | CHG | PDI | | | | | |

| | | | | | | | |
|---|----------------|----------------|------------|----|-----|-------------|---------|
|  | PAGE TITLE | DRAWING NUMBER | DWG STATUS | | | PAGE NUMBER | |
| | REVISION BLOCK | | 12642695 | ST | REV | PDI | 2 OF 21 |
| | | | | R | 002 | | |

KEY PRODUCT CHARACTERISTICS
(IN ACCORDANCE WITH QN 1805 OR ON 1050)



SAFETY/COMPLIANCE

TOTAL ON
DRAWING

5



FIT/FUNCTION

LAST NO.
USED

5

| NO | TYPE | DESCRIPTION | RATIONALE | PAGE/ZONE |
|----|------|---------------------------------|-------------------------------------|-----------|
| 1 | F/F | 32.68 | IMPROVE CONNECTOR SYSTEM MATING | 15 |
| 2 | F/F | 29.00 | INSURE PROPER RELEASE OF LEVER | 15 |
| 3 | F/F | 15.25 | INSURE FINAL MATE POSITION | 16 |
| 5 | F/F | POSITIONAL TOLERANCE (2 PLACES) | INSURE CONNECTOR SYSTEM MATEABILITY | 19 |



PAGE TITLE
KPC BLOCK

DRAWING NUMBER

12642695

DWG STATUS

| | | |
|----|-----|-----|
| ST | REV | PD1 |
|----|-----|-----|

| | | |
|---|-----|--|
| R | 002 | |
|---|-----|--|

PAGE NUMBER

4 OF 21

| LINE | MFG. | MFG. P/N | GM P/N | EFFECTIVE DATE | APPLICABLE COMPONENTS | KEY OPTION | WIRE DRESS OPTION | KEY CONFIG. | COLOR | STATUS |
|------|--------|--------------|----------|----------------|---|------------|-------------------|-------------|---------|------------|
| | | | | | DESCRIPTION | | | | | |
| - | | | | | | | | | | |
| 1 | MOLEX | 34565-0003 | 12582676 | 02JN03 | MX123 DRESS COVER 66/73/80 CKT | N/A | N/A | N/A | BLACK | AVAILABLE |
| 2 | MOLEX | 34822-0013 | 12642692 | 01SP13 | MX123 HRNS CONN ASSY 66 CKT | A | 0 | 1458 | BLACK | AVAILABLE |
| 3 | MOLEX | 34822-0033 | 12659312 | 01SP13 | MX123 HRNS CONN ASSY 66 CKT | C | 0 | 2467 | BLUE | AVAILABLE |
| 4 | MOLEX | 34822-0023 | 12642693 | 01SP13 | MX123 HRNS CONN ASSY 66 CKT | A | 9 | 1458 | BLACK | AVAILABLE |
| 5 | MOLEX | 34822-0043 | 12659313 | 01SP13 | MX123 HRNS CONN ASSY 66 CKT | C | 9 | 2467 | BLUE | AVAILABLE |
| 6 | MOLEX | 34566-0103 | 12582677 | 11JN04 | MX123 HRNS CONN ASSY 73 CKT | A | 0 | 1458 | BLACK | AVAILABLE |
| 7 | MOLEX | 34566-0203 | 12582678 | 11JN04 | MX123 HRNS CONN ASSY 73 CKT | B | 0 | 1468 | ST GRAY | AVAILABLE |
| 8 | MOLEX | 34566-0303 | 12615654 | 09AP08 | MX123 HRNS CONN ASSY 73 CKT | C | 0 | 2467 | BLUE | AVAILABLE |
| 9 | MOLEX | 34566-0403 | 12647268 | T.B.D | MX123 HRNS CONN ASSY 73 CKT | D | 0 | 2367 | BROWN | NOT ACTIVE |
| 10 | MOLEX | 34566-0503 | AMJ28633 | T.B.D | MX123 HRNS CONN ASSY 73 CKT | E | 0 | 2468 | GREEN | NOT ACTIVE |
| 11 | MOLEX | 34566-0603 | 12653574 | 05DC14 | MX123 HRNS CONN ASSY 73 CKT | F | 0 | 1357 | NATURAL | AVAILABLE |
| 12 | MOLEX | 34566-0703 | 12588057 | 09AP08 | MX123 HRNS CONN ASSY 80 CKT | G | 0 | 1358 | BLUE | AVAILABLE |
| 13 | MOLEX | 34566-0803 | 12588058 | 11JN04 | MX123 HRNS CONN ASSY 80 CKT | H | 0 | 2458 | ST GRAY | AVAILABLE |
| 14 | MOLEX | 34566-0903 | 12615656 | T.B.D | MX123 HRNS CONN ASSY 80 CKT | J | 0 | 2457 | BLACK | NOT ACTIVE |
| 15 | MOLEX | 34566-1003 | AMJ28595 | T.B.D | MX123 HRNS CONN ASSY 80 CKT | K | 0 | 2357 | BROWN | NOT ACTIVE |
| 16 | MOLEX | 34566-1103 | AMJ29057 | T.B.D | MX123 HRNS CONN ASSY 80 CKT | L | 0 | 2368 | GREEN | NOT ACTIVE |
| 17 | MOLEX | 34566-1203 | AMJ28669 | T.B.D | MX123 HRNS CONN ASSY 80 CKT | M | 0 | 2358 | NATURAL | NOT ACTIVE |
| 18 | MOLEX | 34566-1303 | 12603596 | 11JN04 | MX123 HRNS CONN ASSY 73 CKT | A | 9 | 1458 | BLACK | AVAILABLE |
| 19 | MOLEX | 34566-1403 | 12603597 | 11JN04 | MX123 HRNS CONN ASSY 73 CKT | B | 9 | 1468 | ST GRAY | AVAILABLE |
| 20 | MOLEX | 34566-1503 | 12615655 | 09AP08 | MX123 HRNS CONN ASSY 73 CKT | C | 9 | 2467 | BLUE | AVAILABLE |
| 21 | MOLEX | 34566-1603 | 12647269 | T.B.D | MX123 HRNS CONN ASSY 73 CKT | D | 9 | 2367 | BROWN | NOT ACTIVE |
| 22 | MOLEX | 34566-1703 | AMJ28698 | T.B.D | MX123 HRNS CONN ASSY 73 CKT | E | 9 | 2468 | GREEN | NOT ACTIVE |
| 23 | MOLEX | 34566-1803 | 12653575 | 05DC14 | MX123 HRNS CONN ASSY 73 CKT | F | 9 | 1357 | NATURAL | AVAILABLE |
| 24 | MOLEX | 34566-1903 | 12603598 | 09AP08 | MX123 HRNS CONN ASSY 80 CKT | G | 9 | 1358 | BLUE | AVAILABLE |
| 25 | MOLEX | 34566-2003 | 12603599 | 11JN04 | MX123 HRNS CONN ASSY 80 CKT | H | 9 | 2458 | ST GRAY | AVAILABLE |
| 26 | MOLEX | 34566-2103 | 12615657 | T.B.D | MX123 HRNS CONN ASSY 80 CKT | J | 9 | 2457 | BLACK | NOT ACTIVE |
| 27 | MOLEX | 34566-2203 | AMJ29117 | T.B.D | MX123 HRNS CONN ASSY 80 CKT | K | 9 | 2357 | BROWN | NOT ACTIVE |
| 28 | MOLEX | 34566-2303 | AMJ29136 | T.B.D | MX123 HRNS CONN ASSY 80 CKT | L | 9 | 2368 | GREEN | NOT ACTIVE |
| 29 | MOLEX | 34566-2403 | AMJ29214 | T.B.D | MX123 HRNS CONN ASSY 80 CKT | M | 9 | 2358 | NATURAL | NOT ACTIVE |
| 30 | MOLEX | 34736-2002 | 12642697 | 01AU10 | MX64 RCPT TERM Ag 18/20 GAGE B (RIGHT PAYOFF) | N/A | N/A | N/A | N/A | AVAILABLE |
| 31 | MOLEX | 34736-2001 | 12642696 | 01AU10 | MX64 RCPT TERM Ag 22 GAGE B (RIGHT PAYOFF) | N/A | N/A | N/A | N/A | AVAILABLE |
| 32 | MOLEX | 34586-0001 | T.B.D. | 11JN04 | MX123 0.64MM GROMMET PLUG | N/A | N/A | N/A | NATURAL | AVAILABLE |
| 33 | YAZAKI | 7116-4150-02 | 12588066 | 02JN03 | 2.8mm YESC SEALED FEMALE TERMINAL TIN 20/22 GAGE (CABLE RANGE 0.30mm-0.60mm) | N/A | N/A | N/A | N/A | NOT ACTIVE |
| 34 | YAZAKI | 7116-4151-02 | 12588067 | 02JN03 | 2.8mm YESC SEALED FEMALE TERMINAL TIN 16/18 GAGE (CABLE RANGE 0.75mm-1.40mm) | N/A | N/A | N/A | N/A | NOT ACTIVE |
| 35 | YAZAKI | 7116-4152-02 | 12582685 | 02JN03 | 2.8mm YESC SEALED FEMALE TERMINAL TIN 14 GAGE (CABLE RANGE 1.50mm-2.50mm) | N/A | N/A | N/A | N/A | AVAILABLE |
| 36 | YAZAKI | 7158-3111-60 | 12588068 | 02JN03 | 2.8mm CABLE SEAL (wire O.D. range 1.20mm-1.90mm) | N/A | N/A | N/A | GREEN | NOT ACTIVE |
| 37 | YAZAKI | 7158-3112-70 | 12588069 | 02JN03 | 2.8mm CABLE SEAL (wire O.D. range 1.80mm-2.30mm) | N/A | N/A | N/A | YELLOW | NOT ACTIVE |
| 38 | YAZAKI | 7158-3113-40 | 12582686 | 02JN03 | 2.8mm CABLE SEAL (wire O.D. range 2.18mm-3.00mm) | N/A | N/A | N/A | WHITE | AVAILABLE |
| 39 | YAZAKI | 7158-3114-90 | T.B.D | 02JN03 | 2.8mm YESC CAVITY PLUG | N/A | N/A | N/A | BLUE | AVAILABLE |
| 40 | MOLEX | 63811-4200 | XX019825 | 02JN03 | MX64 TERM HAND CRIMP TOOL | N/A | N/A | N/A | N/A | AVAILABLE |
| 41 | MOLEX | 63813-1400 | XX019826 | 02JN03 | MX64 TERM SERVICE TOOL | N/A | N/A | N/A | N/A | AVAILABLE |
| 42 | MOLEX | 63865-8000 | XX019827 | 02JN03 | MX64 CRIMP APPLICATOR with TOOL KIT 18/20 GAGE PAYOFF DIRECTION D (left payoff) (contact Molex for payoff detail) | N/A | N/A | N/A | N/A | AVAILABLE |
| 43 | MOLEX | 63865-8070 | XX019828 | 02JN03 | MX64 APPLICATOR TOOL KIT 18/20 GAGE | N/A | N/A | N/A | N/A | AVAILABLE |
| 44 | MOLEX | 63865-8100 | XX019829 | 02JN03 | MX64 CRIMP APPLICATOR with TOOL KIT 22 GAGE PAYOFF DIRECTION D (left payoff) (contact Molex for payoff detail) | N/A | N/A | N/A | N/A | AVAILABLE |
| 45 | MOLEX | 63865-8170 | XX019830 | 02JN03 | MX64 APPLICATOR TOOL KIT 22 GAGE | N/A | N/A | N/A | N/A | AVAILABLE |
| 46 | SPX | J35616-64 | T.B.D. | 02JN03 | 0.64mm PROBE TOOL (for rcpt) | N/A | N/A | N/A | N/A | AVAILABLE |
| 47 | SPX | J35616-64A | T.B.D. | 02JN03 | 0.64mm PROBE TOOL WITH EXT (for rcpt) | N/A | N/A | N/A | N/A | AVAILABLE |
| 48 | SPX | J35616-65 | T.B.D. | 02JN03 | 0.64mm PROBE TOOL WITH EXT (for pin) | N/A | N/A | N/A | N/A | AVAILABLE |
| 49 | SPX | J35616-4A | T.B.D. | 02JN03 | 2.8mm PROBE TOOL (for rcpt) | N/A | N/A | N/A | N/A | AVAILABLE |
| 50 | YAZAKI | X39899-J374 | 12094430 | 02JN03 | 2.8mm TERM SERVICE TOOL | N/A | N/A | N/A | N/A | AVAILABLE |

002B

* - MX123 DRESS COVER 73/80/66 CKT MATES TO ANY MX123 HARN CONN ASSY SHOWN ON TABLE ABOVE



PAGE TITLE
COMPONENT TABLE

DRAWING NUMBER
12642695

| DWG STATUS | | | PAGE NUMBER |
|------------|-----|-----|-------------|
| ST | REV | PD1 | |
| R | 002 | | 5 OF 21 |

NOTES: UNLESS OTHERWISE SPECIFIED

1. MATERIAL FOR INTERFACE:

- A. RESIN:
 - 1. 30% G.F. PBT; 20% MAX. (BY WEIGHT) REGRIND.
 - 2. MATING CONNECTOR INTERFACE PART COLOR MUST BE SAME AS MATCHING KEYED HARNESS CONNECTOR ASSEMBLY.
 - 3. MUST BE VALIDATED FOR INDIVIDUAL DEVICE APPLICATION REQUIREMENTS.
- B. 0.64MM PINS:
 - 1. BASE MATERIAL: COPPER ALLOY; CONDUCTIVITY >= 28% IACS AT 20°C; TENSILE STRENGTH >= 635 N/mm²; SURFACE ROUGHNESS R_a 6 MAX.
 - 2. PLATING FINISH: SILVER (Ag). PLATING TO BE 1.9-3.3 μm ELECTRODEPOSITED SEMI-BRIGHT SILVER OVER 1.25-2.25 μm DUCTILE SULPHAMATE NICKEL PER NOTE 1(D).
 - 3. ANTI-TARNISH: SYNTHETIC HYDROCARBON CONTACT SURFACE FINISH OR EQUIVALENT APPLIED WITHOUT VOID TO CONTACT AREA (MIN 3.7mm FROM PIN TIP).
- C. 2.8MM BLADE:
 - 1. BASE MATERIAL: COPPER ALLOY; CONDUCTIVITY >= 28% IACS AT 20°C; TENSILE STRENGTH >= 350 N/mm²; SURFACE ROUGHNESS R_a 6 MAX.
 - 2. PLATING FINISH: TIN. PLATING TO BE 2.5-5.0 μm ELECTRODEPOSITED TIN, MATTE FINISH OVER 1.25-2.5 μm DUCTILE SULPHAMATE NICKEL PER NOTE 1(D).
- D. PLATING REQUIREMENTS:
 - 1. SILVER PLATING
 - a. 99.5% PURE SEMI-BRIGHT WITH NO ORGANIC BRIGHTNERS OR CHROMATES.
 - 2. NICKEL PLATING
 - a. ELECTRODEPOSITED DUCTILE SULFAMATE NICKEL WITH A NON-BRIGHTENED FINISH. NO ORGANIC OR BRIGHTENING AGENTS SHALL BE ALLOWED.
 - b. SHALL ONLY BE USED AS AN UNDERLYING PLATING AND MAY NOT BE USED AS AN ELECTRICAL CONTACT SURFACE PLATING.
 - c. SHALL BE NODULE FREE WHEN VIEWED AT 10X MAGNIFICATION IN MEASURED IN CONTACT SURFACE AREA PLUS 0.5MM PERIMETER AROUND THE CONTACT SURFACE AREA.
 - d. ALL PLATINGS SHALL HAVE A 1.0% MAXIMUM BY WEIGHT IMPURITIES. IMPURITIES ARE DEFINED AS ALL ELEMENTS NOT THE PRIMARY PLATING OR HARDENING AGENT IF APPLICABLE, AS DETERMINED BY WET CHEMICAL ANALYSIS OR AUGER METHOD. NO SINGLE IMPURITY SHALL EXCEED 0.1% MAXIMUM BY WEIGHT.
 - 3. TESTING
 - a. THICKNESS TO BE MEASURED IN CONTACT SURFACE AREA PLUS 0.5MM PERIMETER AROUND THE CONTACT SURFACE AREA AS DESIGNATED IN THE DRAWING. THICKNESS SHALL BE DETERMINED BY METHOD OF X-RAY (XRF).
 - b. PLATING ADHESION SHALL BE TESTED BY A BEND TEST FOR ALL METALS. THE TEST SAMPLE SHALL BE BENT 90 DEGREES TO DETERMINE DEPOSIT ADHESION. TESTING SHALL BE COMPLETED IN ACCORDANCE WITH ASTM SPEC B571.


2. DESIGN - GENERAL:

- A. THIS IS A 100% CAD GENERATED PART. THE CAD MATHEMATICAL DATA IS THE MASTER FOR THIS PART. FOR DIMENSIONAL OR ANY INFORMATION NOT SHOWN ON THIS DRAWING, ANALYZE THE CAD MODEL.
- B. TOLERANCES:
 - 1. LINEAR
 - 0.X ± 0.30
 - 0.XX ± 0.10
 - 0.XXX ± 0.10
 - 2. ANGULAR X° ± 3°
 - 3. 
- C. MINIMUM WALL THICKNESS REQUIRED: 1.3mm.
- D. CORNERS SHOWN AS SHARP TO BE R 0.2 MAX.
- E. LETTERING SHALL BE 0.15 MAX RAISED IN 0.20 MAX RECESS PAD. THIS INCLUDES MATERIAL CODE, RECYCLING CODE, CAVITY ID AND DATE CODE.
- F-1. PARTS MUST BE FREE OF DISCOLORATION, SALT RESIDUE AND OTHER IMPERFECTIONS THAT AFFECT FIT OR FUNCTION.
- F-2. SCRATCHES OR DENTS NOT TO EXCEED 0.013mm IN DEPTH.
- G. FOLLOWING PRODUCTION CODES TO BE PERMANENTLY MARKED & HUMAN READABLE TO A LETTER HEIGHT OF 1.5 ± 0.5MM X 0.3 MAX DEEP
 - 1. MATERIAL #: XXXXX-XXXX
 - 2. DATE CODE: JJJY (JULIAN DAY, LAST DIGIT OF YEAR)
 - 3. INSPECTION MACHINE CODE + SERIAL #: X_XXXXX

3. DESIGN - MANUFACTURING:

- A. DRAFT TO BE WITHIN TOLERANCE.
- B. ALLOWABLE FLASH MAX 0.2 HIGH X MAX 0.13 THICK.
- C. ALLOWABLE PARTING LINE MISMATCH 0.2 MAX.
- D. EJECTOR PINS MARK TO BE FLUSH TO 0.25 MAX DEPRESSED.
- E. ALLOWABLE GATE VESTIGE FLUSH TO 0.25 MAX PROTRUSION.
- F. NO EXTERNAL MOLD RELEASE AGENT ALLOWED DURING MANUFACTURING.
- G. STEEL THAT FORMS THE INDICATED SURFACE MUST BE POLISHED WITH A DIAMOND FINISH (SPI A-2) OVER THE FULL PERIPHERY OF THE TOOL. SURFACE MUST HAVE NO MISMATCH.
- H. ANY PROCESS LUBRICANT REMAINING ON THE TERMINAL MUST NOT VARNISH OR DEGRADE IT'S ELECTRICAL PERFORMANCE UP TO A MAXIMUM CLASS AMBIENT TEMPERATURE PER SAE USCAR-2 FOR 1008 HOURS. PROCESS LUBRICANTS SHOULD BE APPROVED BY THE RESPONSIBLE ENGINEER.
- J. OPTIONAL FEATURES PROVIDED FOR AUTOMATION.
- K. PART MUST BE FREE FROM BURRS AND SHARP EDGES, WHICH MIGHT BE DETRIMENTAL TO SATISFACTORY ASSEMBLY, SAFE HANDLING OR FUNCTION OF PART.
- L. PARTS AS DELIVERED TO ASSEMBLY SHALL BE CLEAN AND FREE OF DEBRIS, RESIDUAL ABRASIVE MATERIAL AND CORROSION PRODUCTS ADVERESLY AFFECTING FUNCTION OR APPEARANCE.
- M. RESTRICTED AND REPORTABLE SUBSTANCES FOR PARTS PER GMW3059.

002C

| | | | | | | |
|---|------------|-----------------------------------|------------|-----|-----|------------------------|
|  | PAGE TITLE | DRAWING NUMBER 12642695 | DWG STATUS | | | PAGE NUMBER 6 OF 21 |
| | NOTES | | ST | REV | PDI | |
| | | | R | 002 | | |

NOTES: UNLESS OTHERWISE SPECIFIED

4. SYSTEM REQUIREMENTS:

A. HARNESS CONNECTOR IS COMPATIBLE WITH THE FOLLOWING SAE WIRE SIZE NO'S:

- 14, MEETING SAE J1128
- 18, MEETING SAE J1128, MAX O.D. OF 2.06 MM
- 20, MEETING SAE J1128
- 22, MEETING SAE J1128, MIN O.D. OF 1.47 MM

B. CABLE TIE SPECIFICATIONS:

- 1. CABLE TIE:
 - TENSILE RATING: 220N / (50lbs) MIN
 - TIE LENGTH: 186mm MIN
 - TIE WIDTH: 4.75mm MAX
 - MATERIAL: NYLON
- 2. INSTALLATION:
 - CABLE TIE TENSION: 190N MIN
- 3. DRESSED WIRE BUNDLE PACKAGING: SEE FIG. 1

C. WHEN MATED WITH COMPONENT CONNECTOR INTERFACE AND/OR DRESS COVER, HARNESS CONNECTOR SYSTEM CONFORMS TO THE FOLLOWING:

- 1. SAE/USCAR-2, REV: 3 APRIL, 2001; CLASS 3
- 2. FIELD CORRELATED LIFE TEST, SAE/USCAR-20, NOV. 2001
- 3. GMW #3191 AUGUST 22, 2000 (DRAFT); TEMPERATURE CLASS 3, SEALING CLASS 1, VIBRATION CLASS 2
- 4. RESTRICTED AND REPORTABLE CHEMICALS PER GMW #3059, REV: D AUGUST 2002
- 5. TPA USER FORCES (FULLY POPULATED WITH TERMINALS)
 - a. REMOVAL FROM LOCK TO PRE-SET: <=120N

D. WIRE SPECIFICATIONS:

- 1. WIRE SURFACE MUST BE FREE OF SCRATCHES, GROOVES OR DENTS WHERE FUNCTIONAL

5. TERMINAL CURRENT RATINGS:

ALL TESTING DONE IN ACCORDANCE WITH USCAR-2 REV5 SECTION 5.3

A. MX64 RCPT TERM

- 1. MX64 RCPT TERM Ag 18/20 GAGE CRIMPED TO SAE WIRE SIZE NO.18 AND MATED TO MX123 0.64MM PIN: 11.3 AMPS
- 2. MX64 RCPT TERM Ag 22 GAGE CRIMPED TO SAE WIRE SIZE NO.22 AND MATED TO MX123 0.64MM PIN:8.5 AMPS

| WIRE | CURRENT RATING | | | |
|-------|----------------|-------|-------|-------|
| | 23°C | 85°C | 105°C | 125°C |
| 18AWG | 11.3A | 11.3A | 9.5A | 6.6A |
| 20AWG | 10.0A | 10.0A | 8.3A | 5.7A |
| 22AWG | 8.6A | 8.6A | 7.1A | 5.0A |

B. 2.8MM RCPT TERM

- 1. 2.8MM RCPT TERM TIN 14 GAGE CRIMPED TO SAE WIRE SIZE NO.14 AND MATED TO MX123 2.8MM BLADE: 25.6 AMPS

6. CONTACT MOLEX AUTOMOTIVE FOR AVAILABLE CUSTOM PATTERNS OF CAVITIES OPEN FOR CIRCUITS

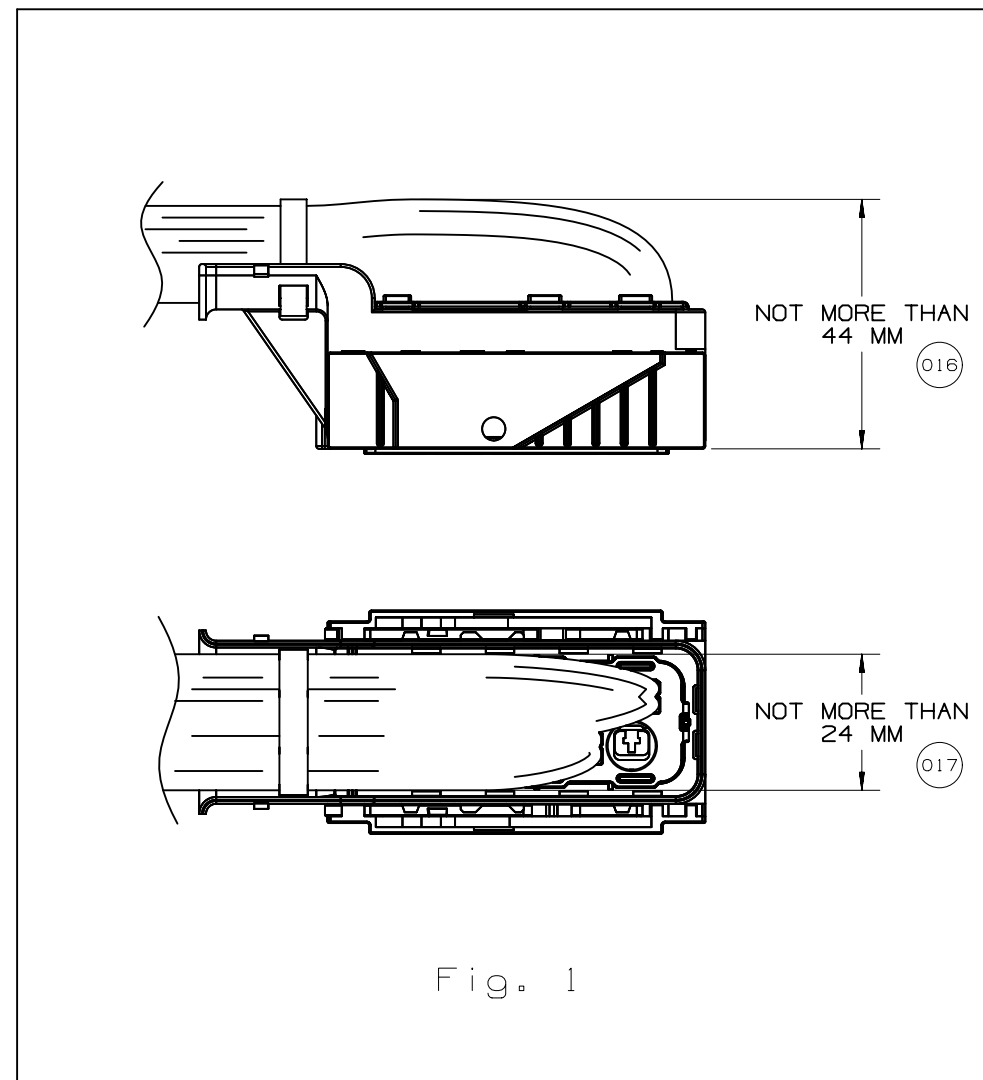
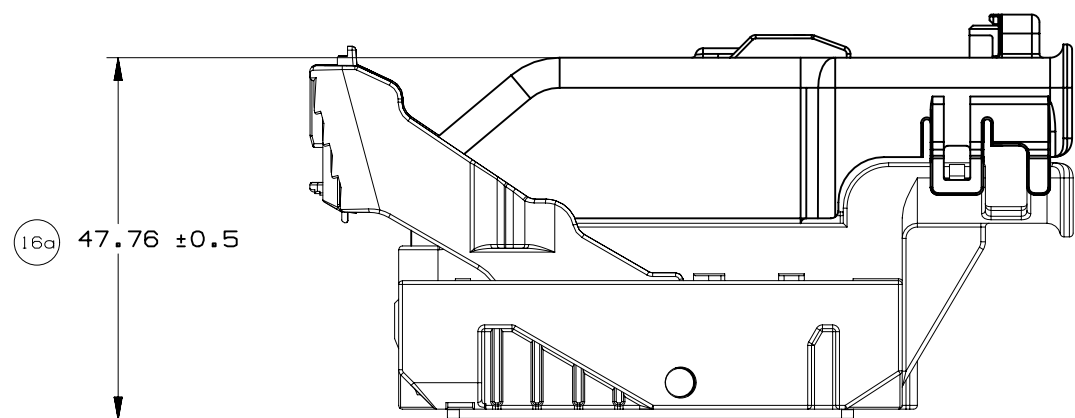


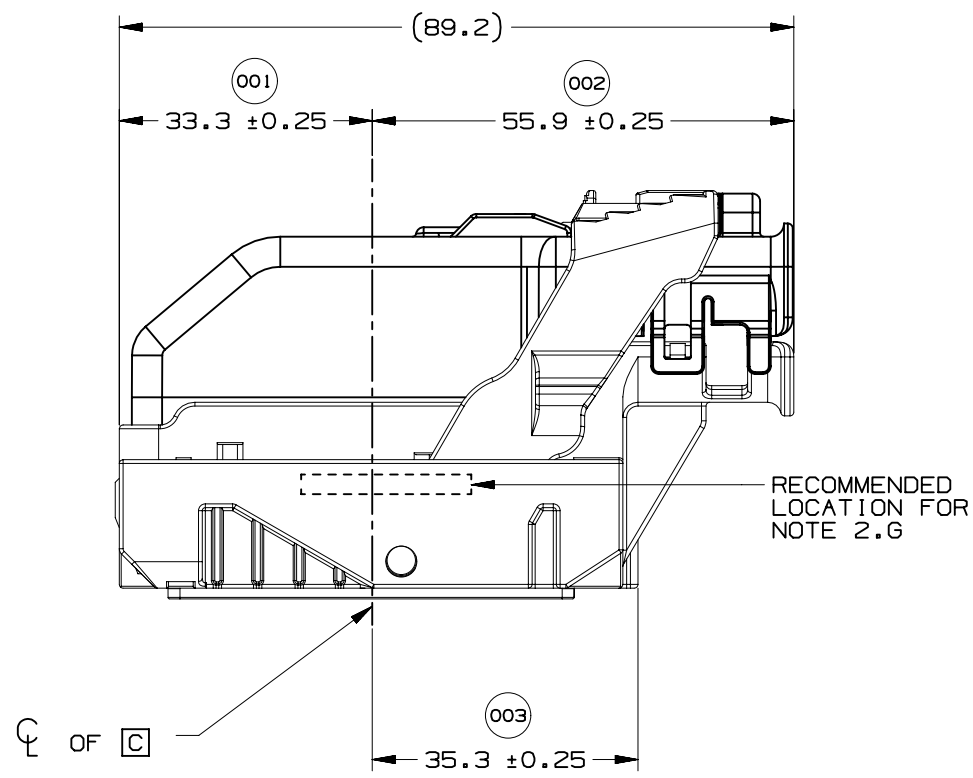
PAGE TITLE
NOTES

DRAWING NUMBER
12642695

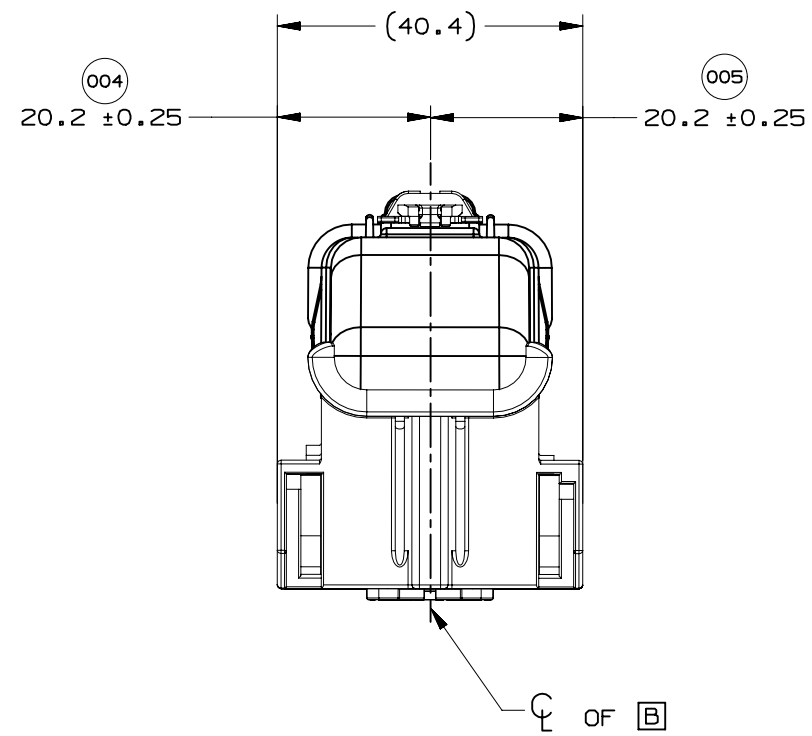
| DWG STATUS | | |
|------------|-----|-----|
| ST | REV | PDI |
| R | 002 | |

PAGE NUMBER
7 OF 21

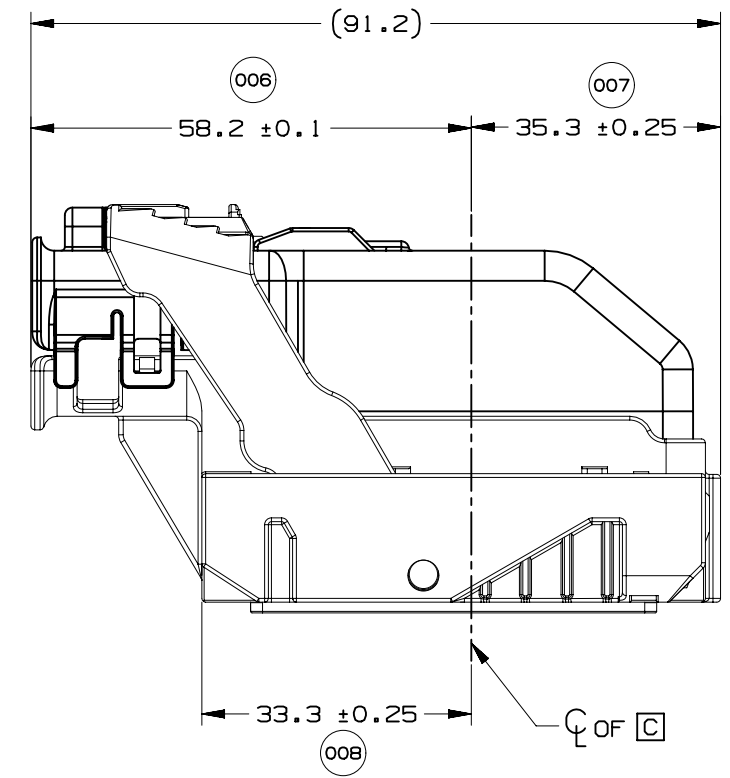




WIRE DRESS OPTION 0 SHOWN

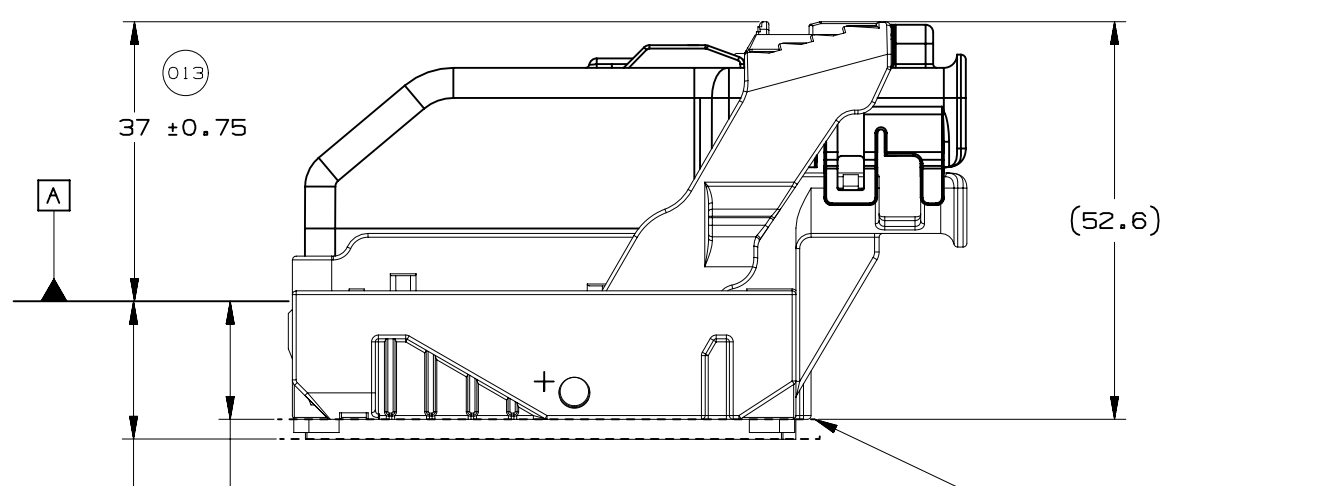
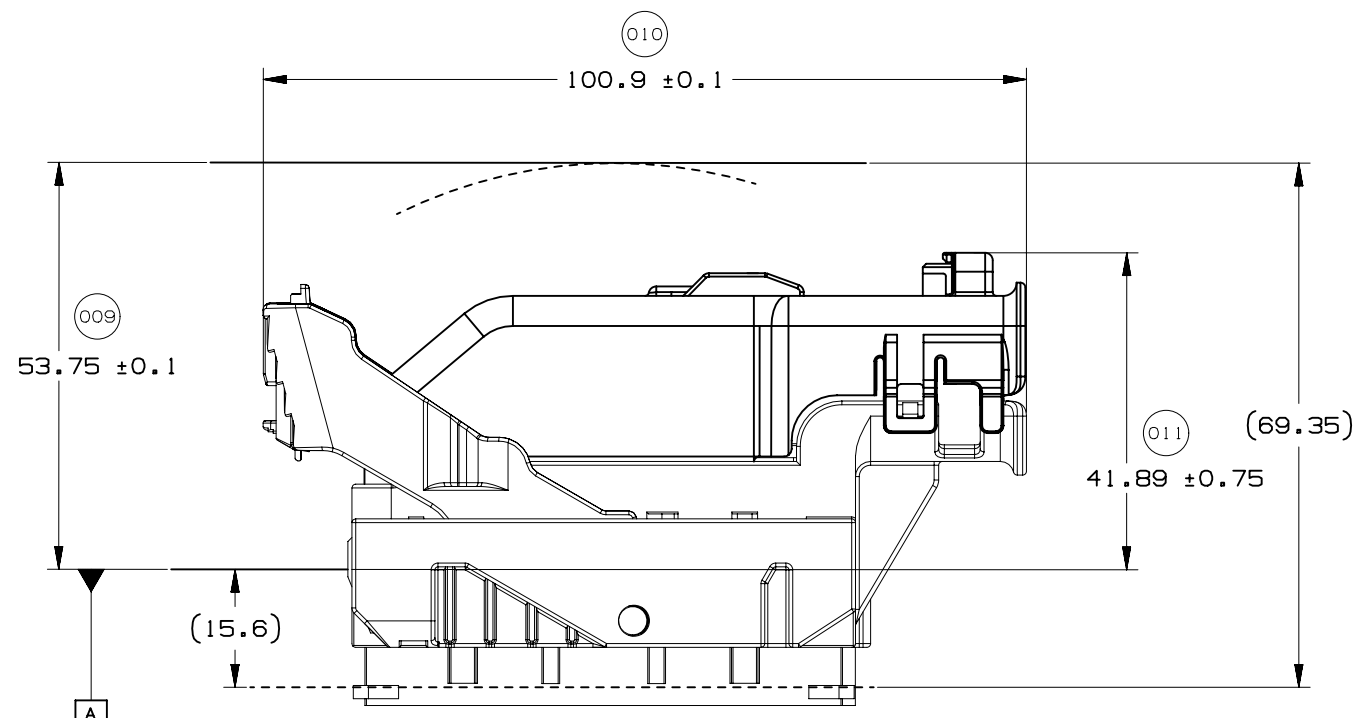
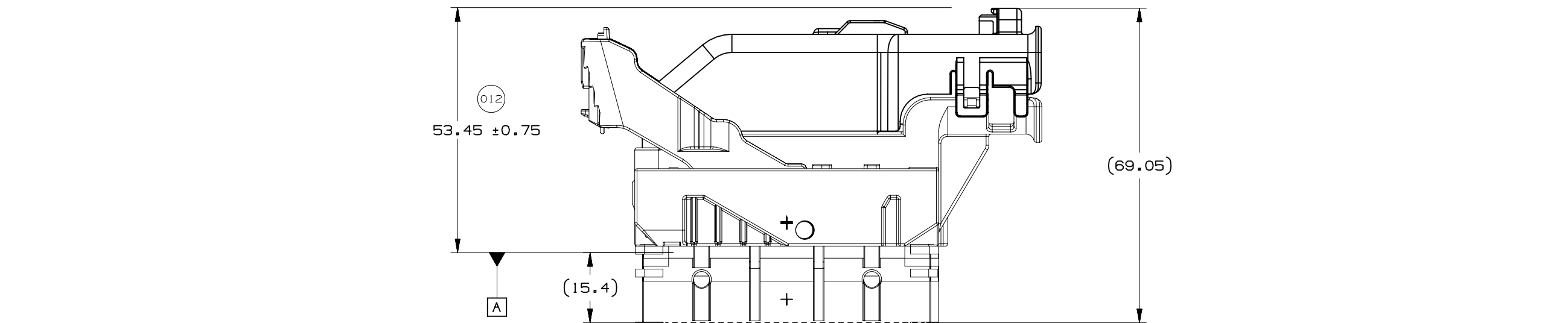


WIRE DRESS OPTION 0 SHOWN



WIRE DRESS OPTION 9 SHOWN





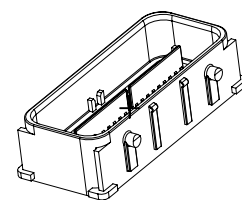
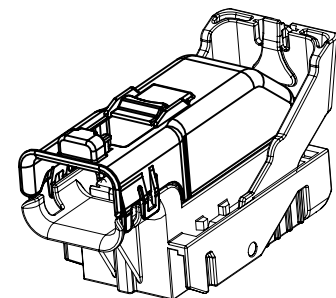
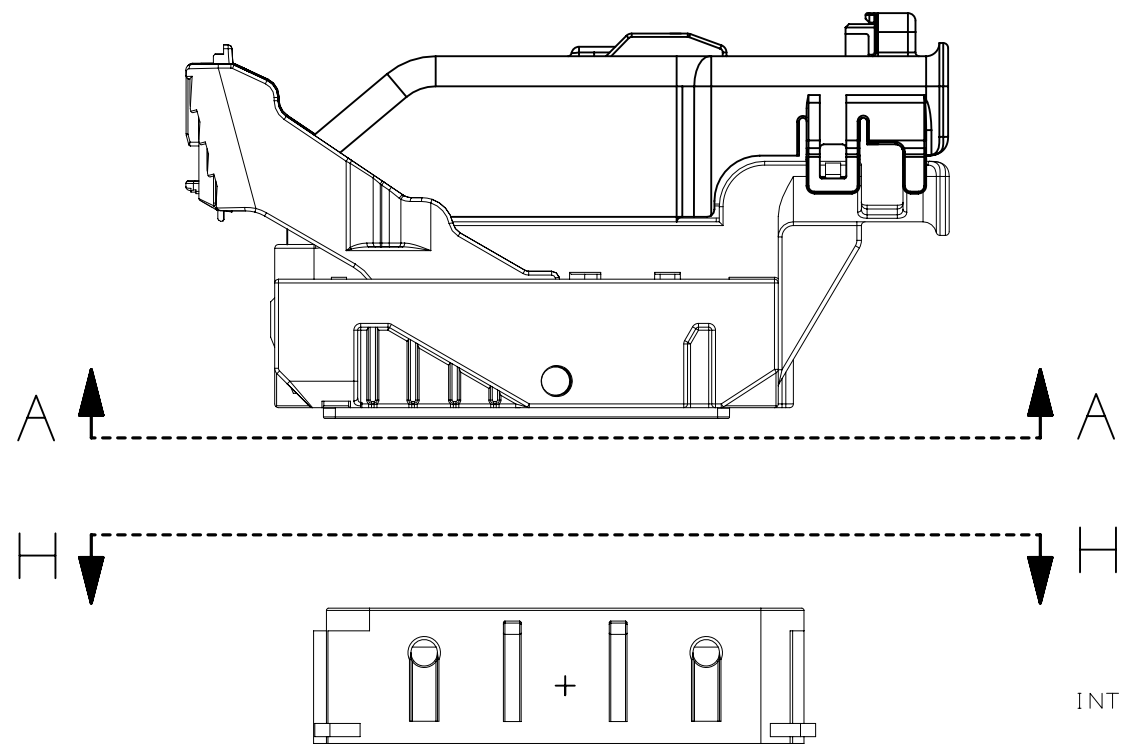
HARNESS CONNECTOR ASSEMBLY IN FULLY-MATED POSITION

HARNESS CONNECTOR CLEARANCE LINE

15.6 MIN. ALL AROUND CLEARANCE REQUIRED FOR HARNESS CONNECTOR

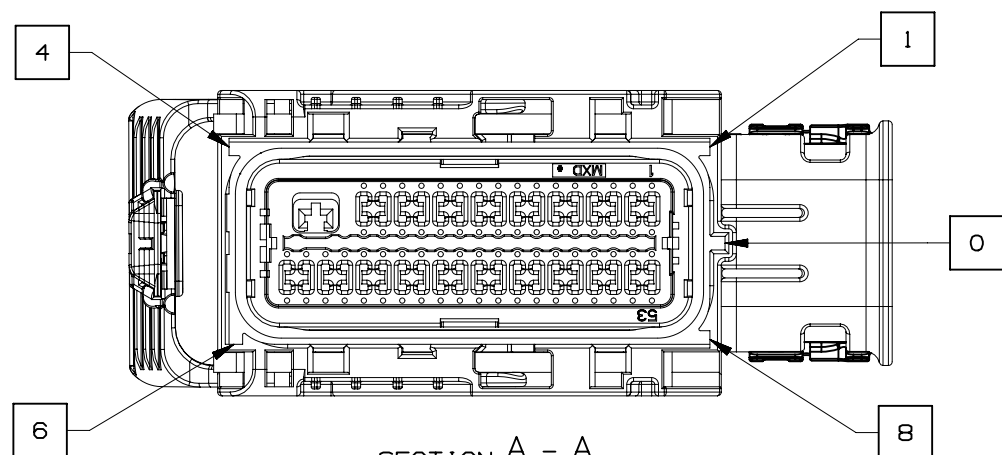
17.9 MIN. AT PAD LOCATION CLEARANCE REQUIRED FOR HARNESS CONNECTOR CONSTRUCTION BELOW THIS PLANE IS NOT CONTROLLED

015

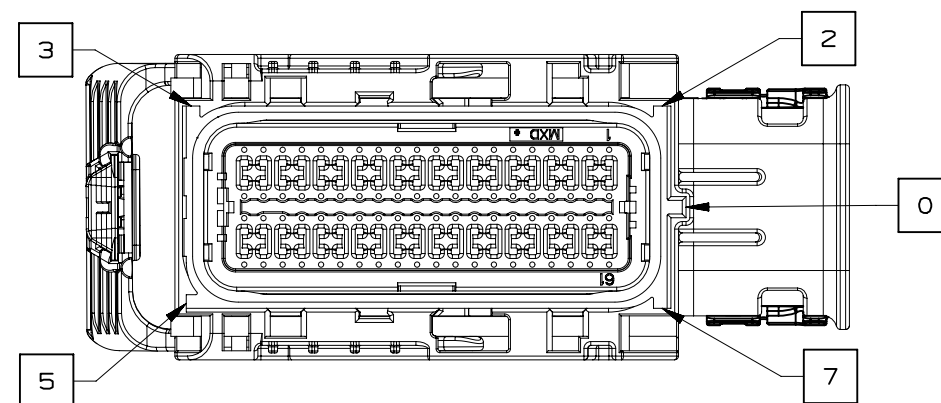


NOTE: REFERENCE THE COMPONENT TABLE FOR KEY OPTIONS AND CONFIGURATIONS

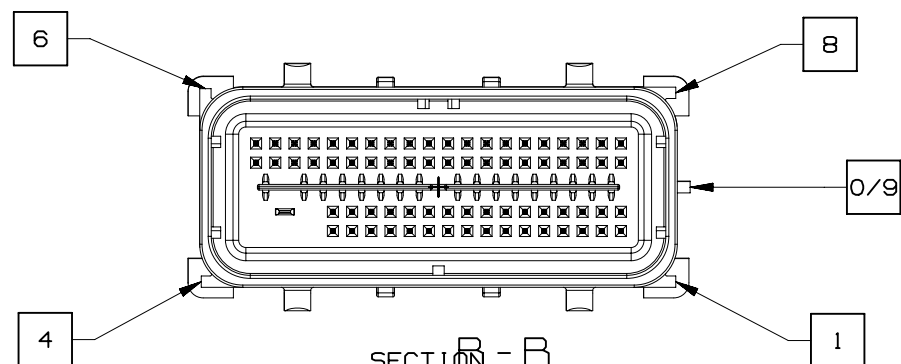
INTERFACE SIDE SHOWN ON ALL SECTION VIEWS



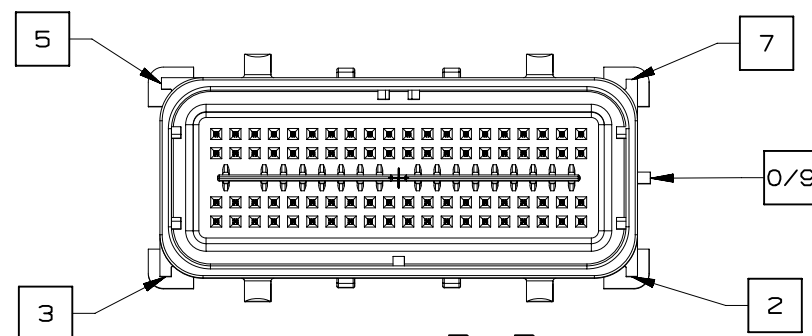
SECTION A - A
KEY OPTION B SHOWN



SECTION A - A
KEY OPTION K SHOWN



SECTION B - B
KEY OPTION B SHOWN



SECTION B - B
KEY OPTION K SHOWN

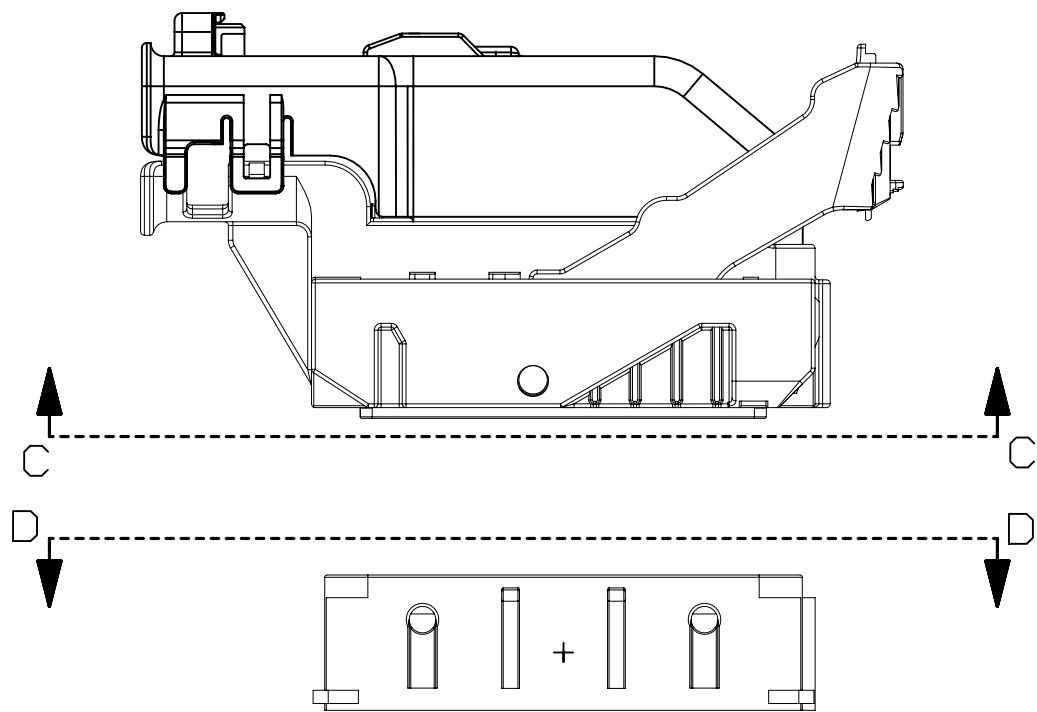


PAGE TITLE
KEY ID REF - WIRE DRESS OPTION 0

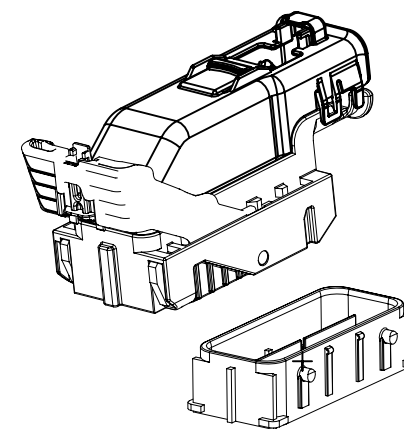
DRAWING NUMBER
12642695

| DWG STATUS | | |
|------------|-----|-----|
| ST | REV | PD1 |
| R | 002 | |

PAGE NUMBER
11 OF 21

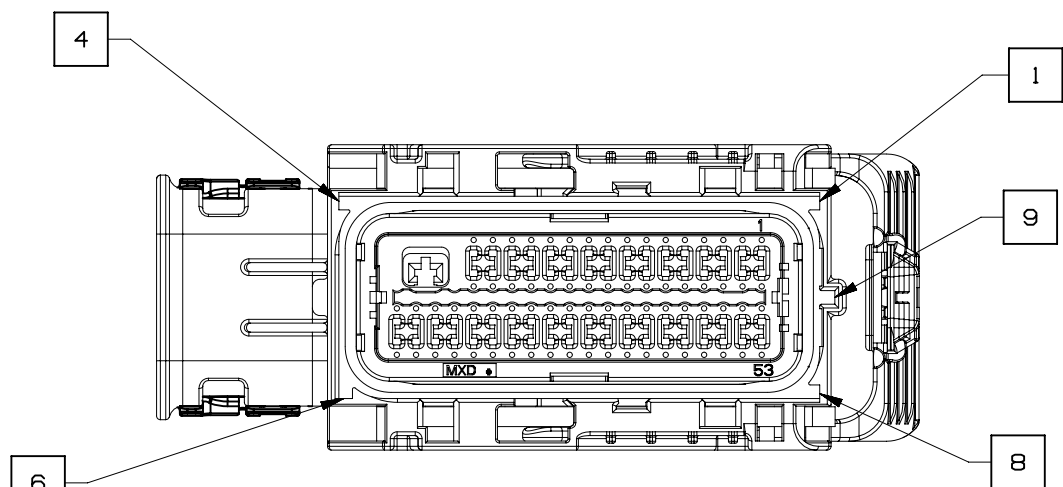


INTERFACE SIDE SHOWN ON ALL SECTION VIEWS

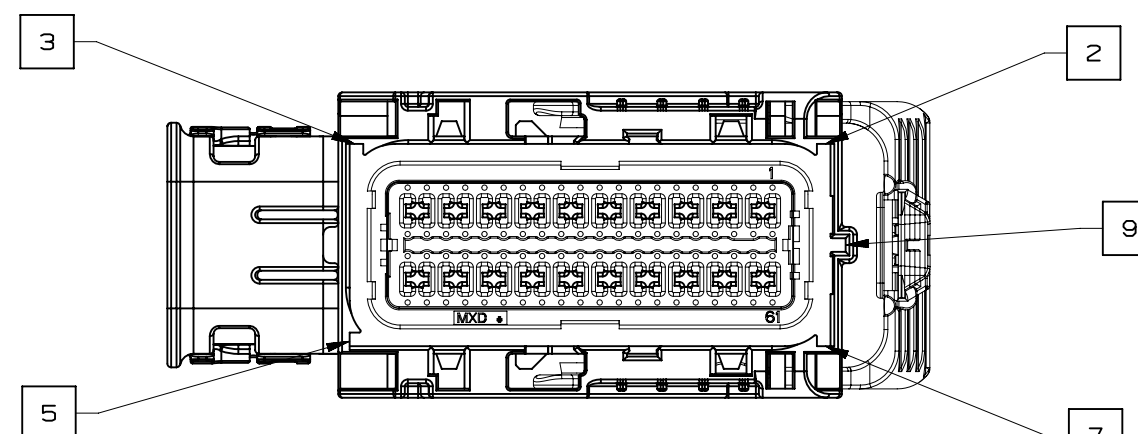


NOTE: REFERENCE THE COMPONENT TABLE FOR KEY OPTIONS AND CONFIGURATIONS

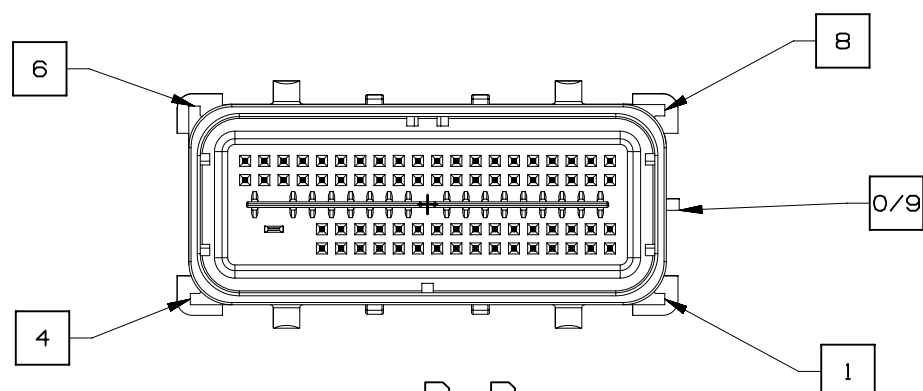
VIEW V



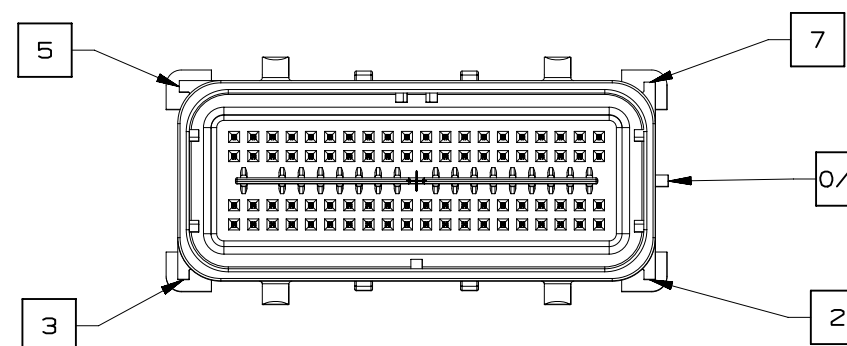
SECTION C-C
KEY OPTION B SHOWN



SECTION C-C
KEY OPTION K SHOWN



SECTION D-D
KEY OPTION B SHOWN



SECTION D-D
KEY OPTION K SHOWN

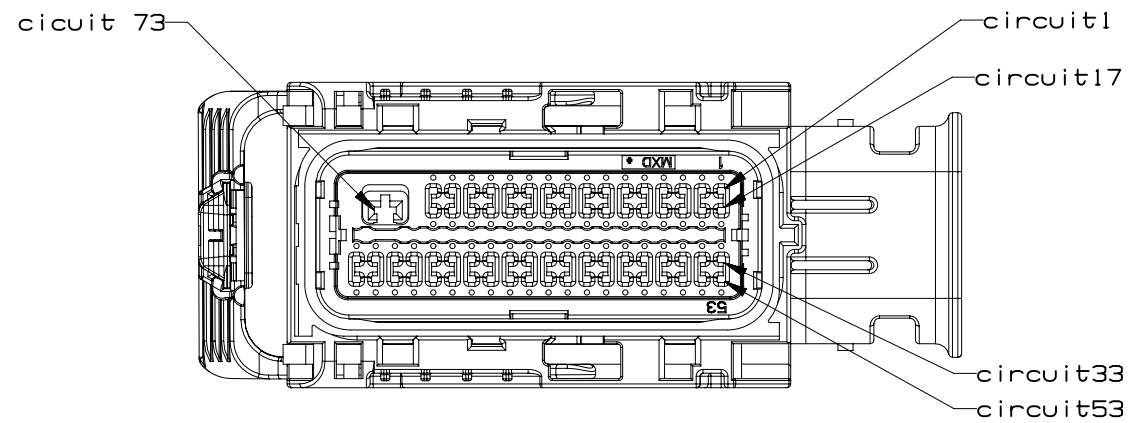


PAGE TITLE
KEY ID REF - WIRE DRESS OPTION 9

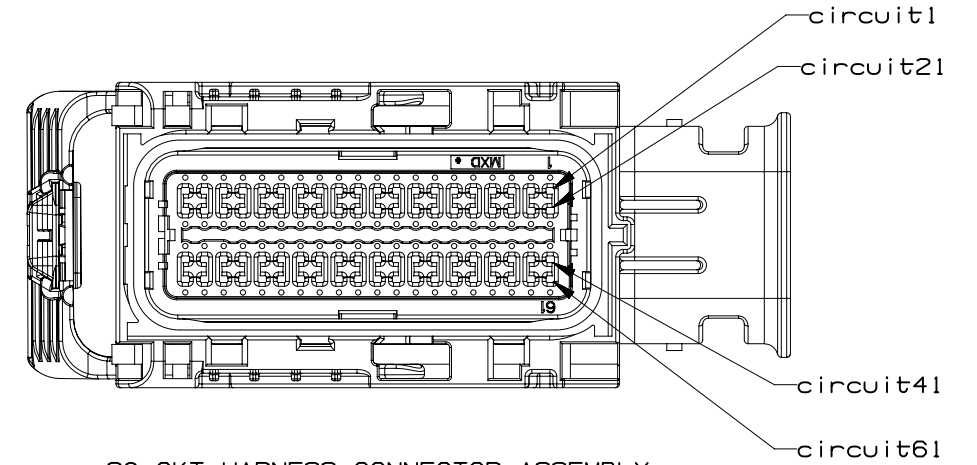
DRAWING NUMBER
12642695

| DWG STATUS | | |
|------------|-----|-----|
| ST | REV | PD1 |
| R | 002 | |

PAGE NUMBER
12 OF 21

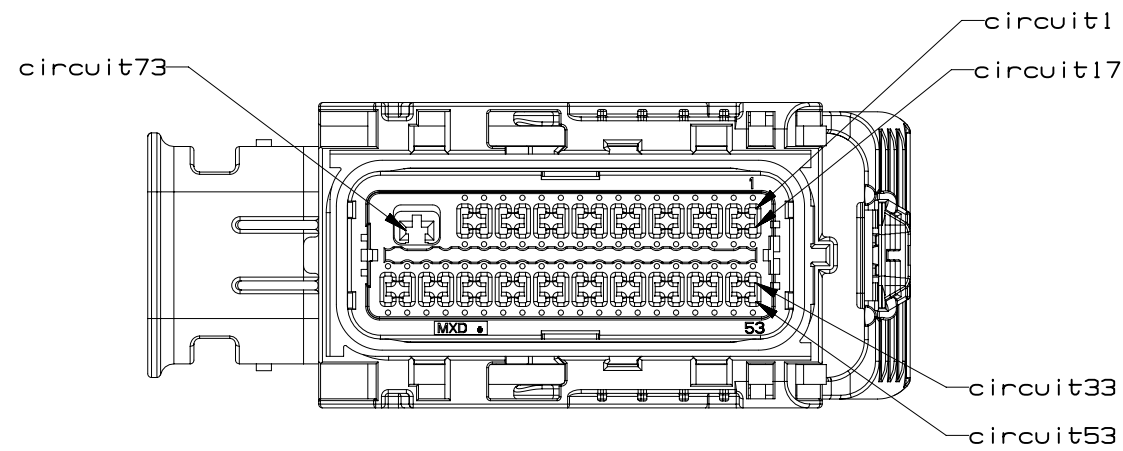


73 CKT HARNESS CONNECTOR ASSEMBLY
WIRE DRESS OPTION 0

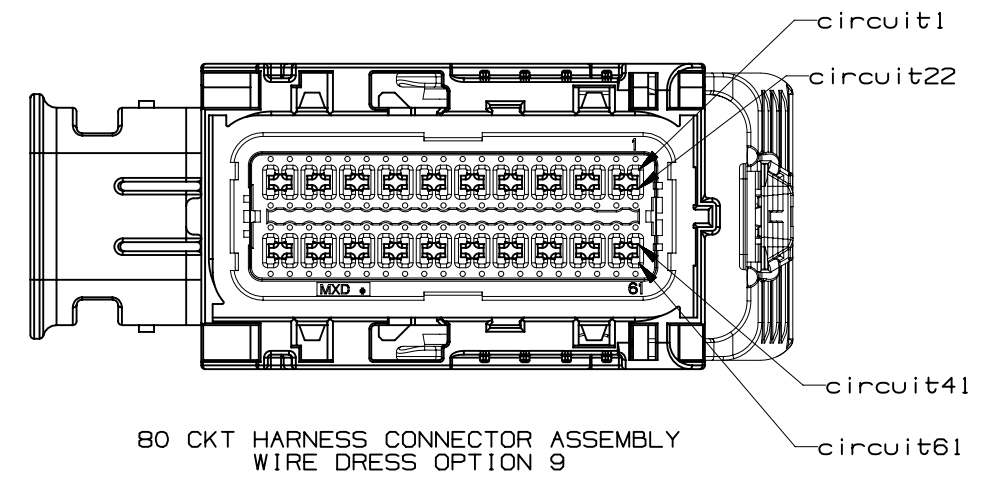


80 CKT HARNESS CONNECTOR ASSEMBLY
WIRE DRESS OPTION 0

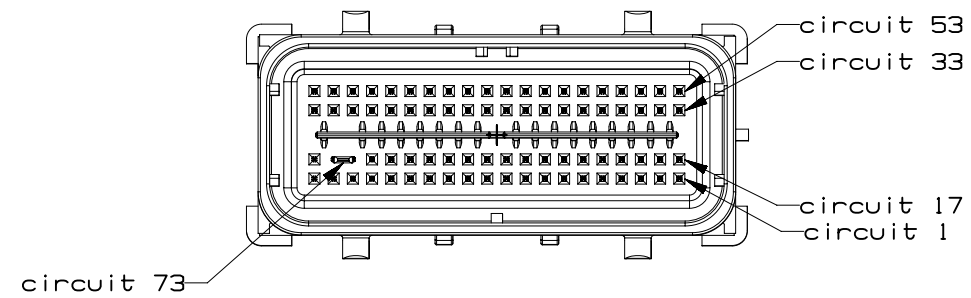
INTERFACE SIDE SHOWN ON ALL VIEWS



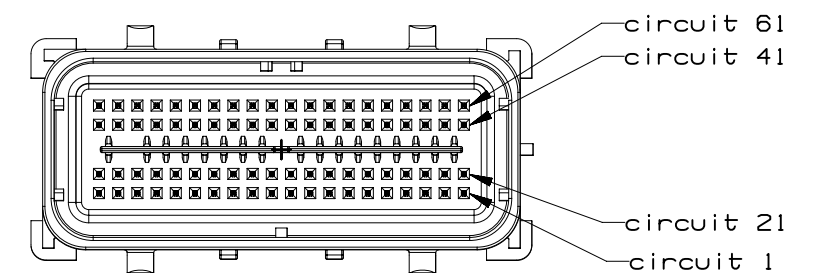
73 CKT HARNESS CONNECTOR ASSEMBLY
WIRE DRESS OPTION 9



80 CKT HARNESS CONNECTOR ASSEMBLY
WIRE DRESS OPTION 9

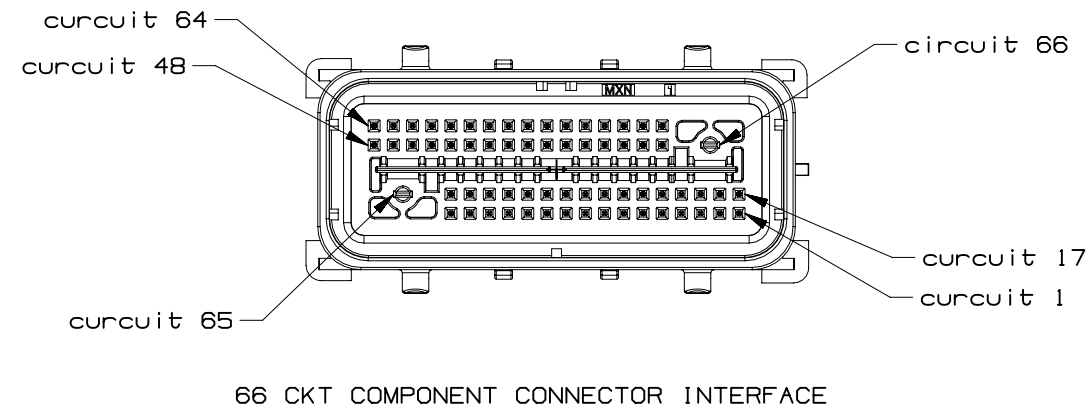
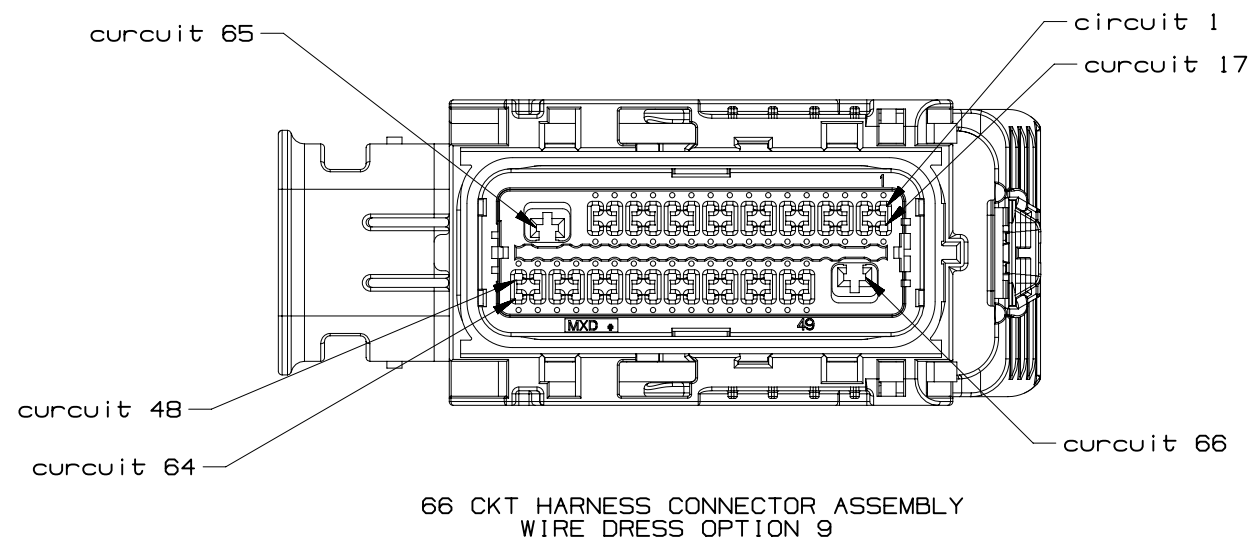
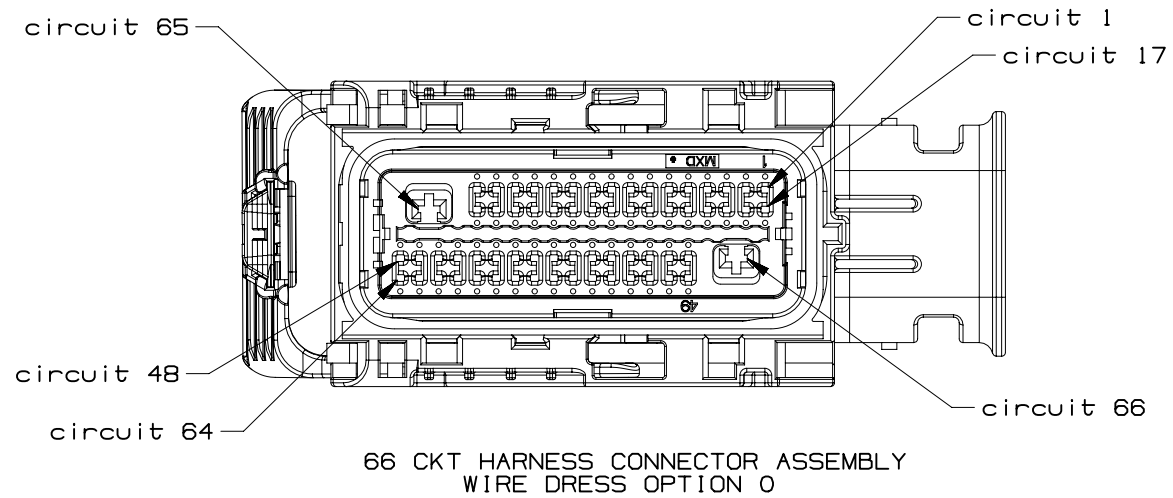



73 CKT COMPONENT CONNECTOR INTERFACE

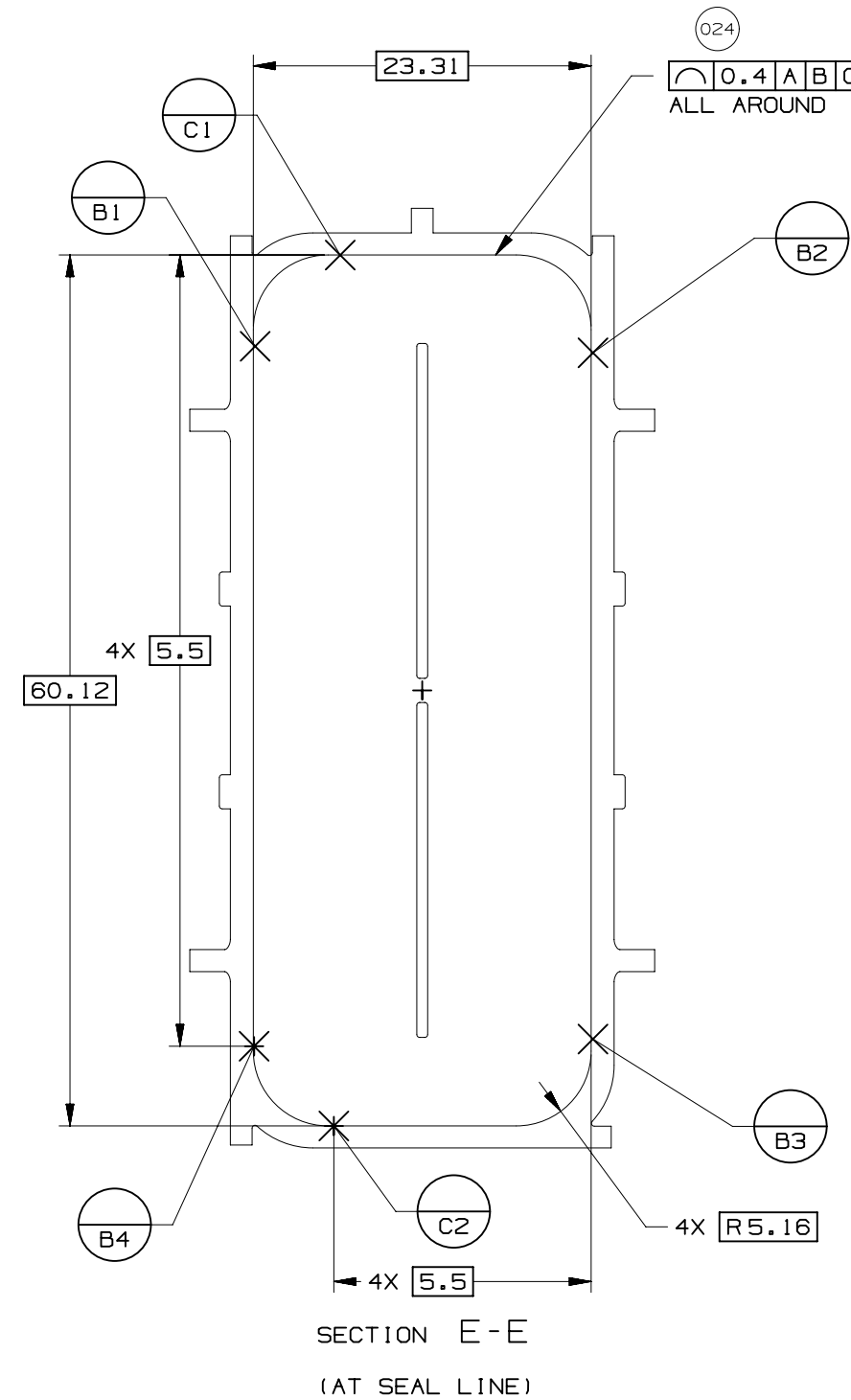
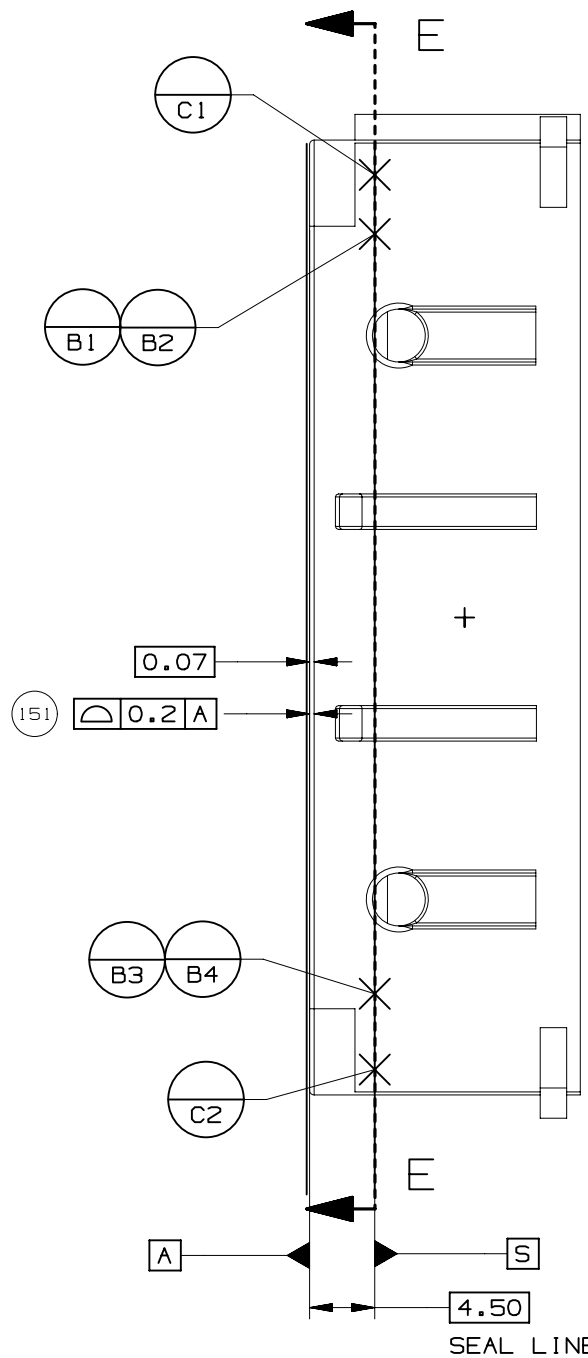
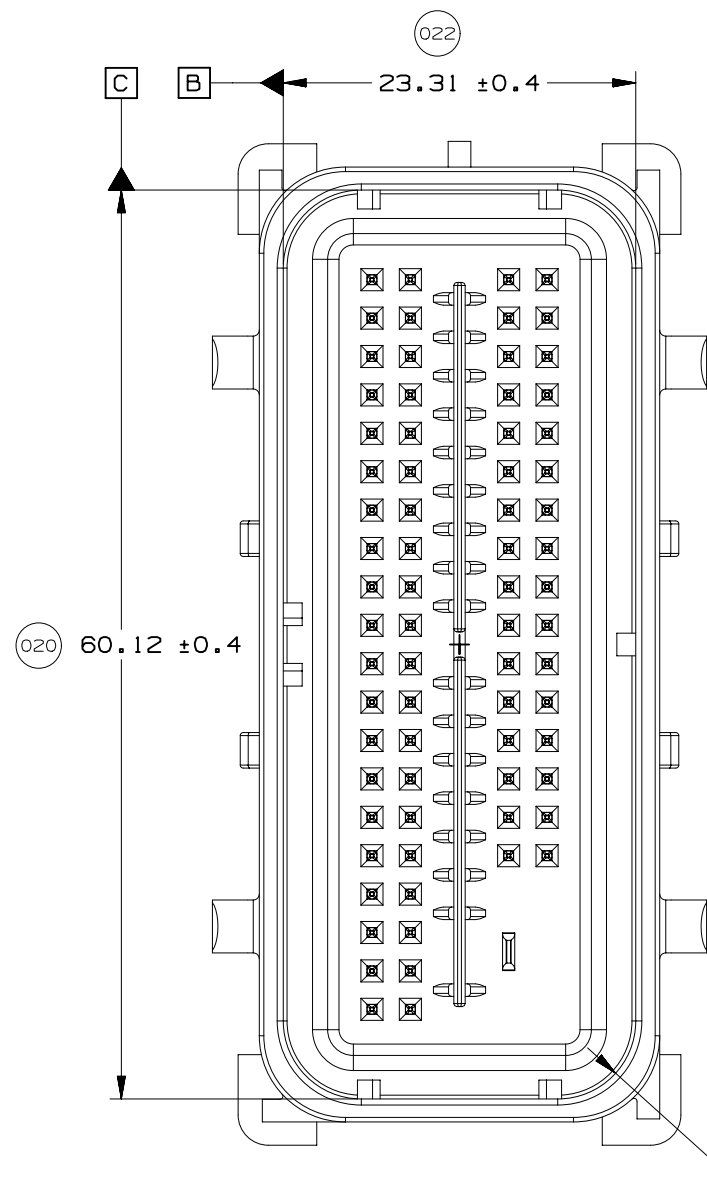
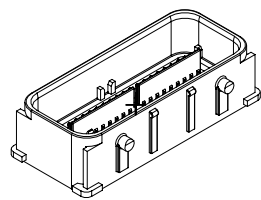


80 CKT COMPONENT CONNECTOR INTERFACE





| | | | | | | | |
|---|------------------------|----------------|------------|----|-----|-------------|----------|
|  | PAGE TITLE | DRAWING NUMBER | DWG STATUS | | | PAGE NUMBER | |
| | CIRCUIT CONFIGURATIONS | | 12642695 | ST | REV | PDI | 14 of 21 |
| | | | | R | 002 | | |



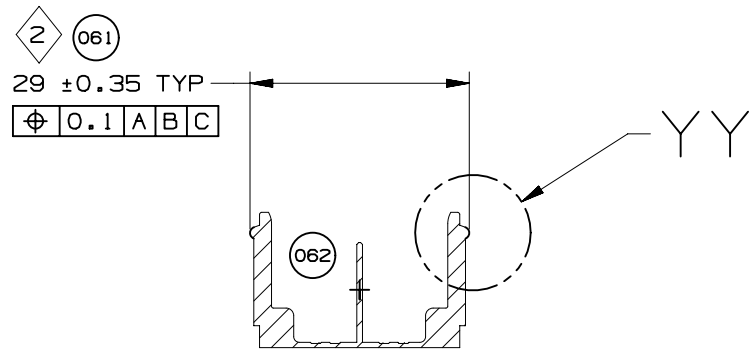
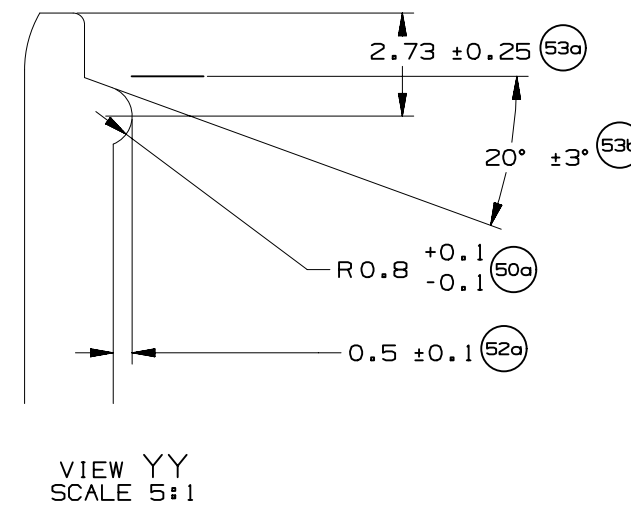
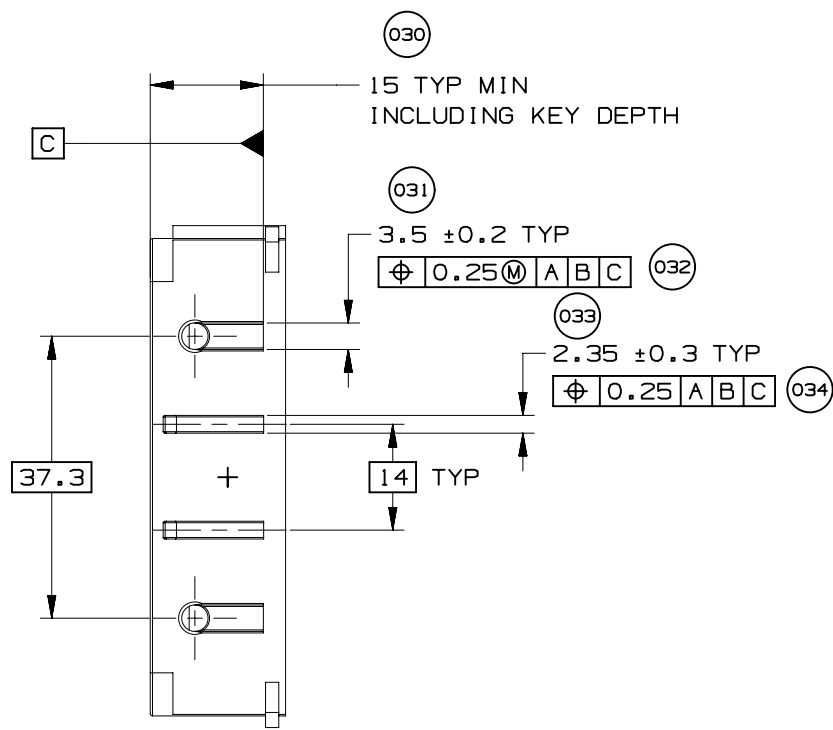
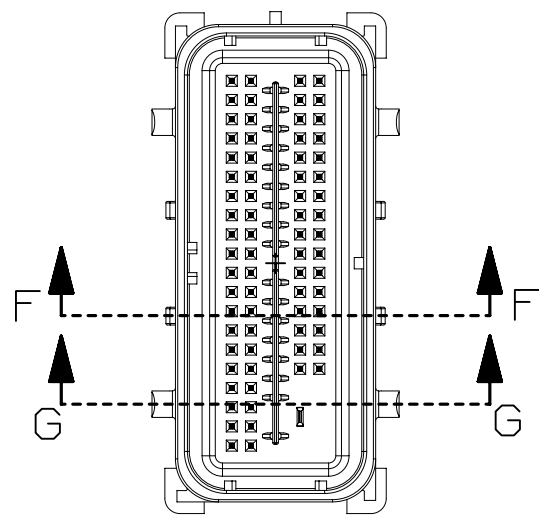
UNLESS SPECIFIED, TOLERANCE OF THE COMPONENT CONNECTOR INTERFACE TO BE $\nabla 0.13 \text{ A B C}$



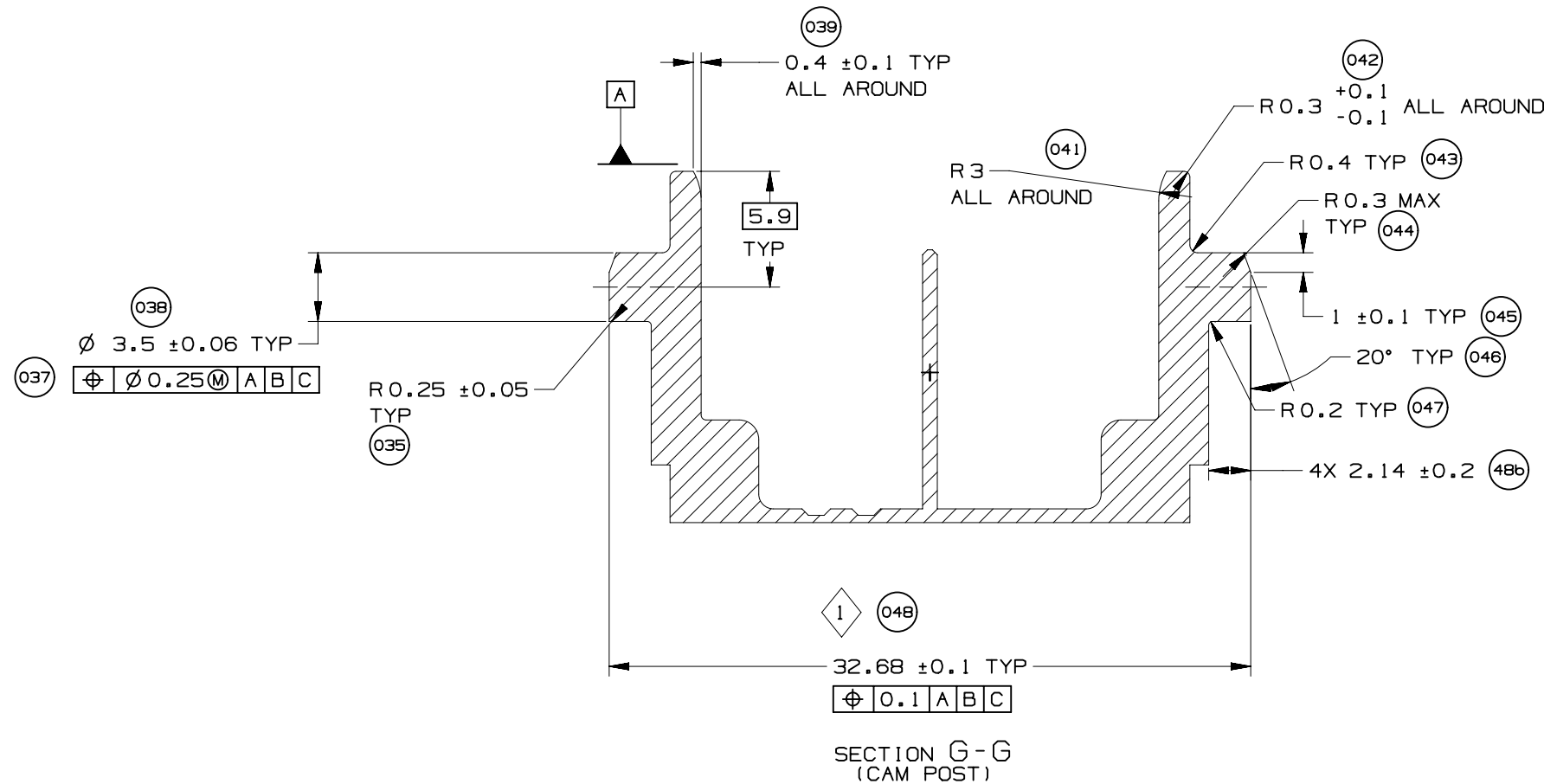
PAGE TITLE
COMPONENT CONNECTOR INTERFACE

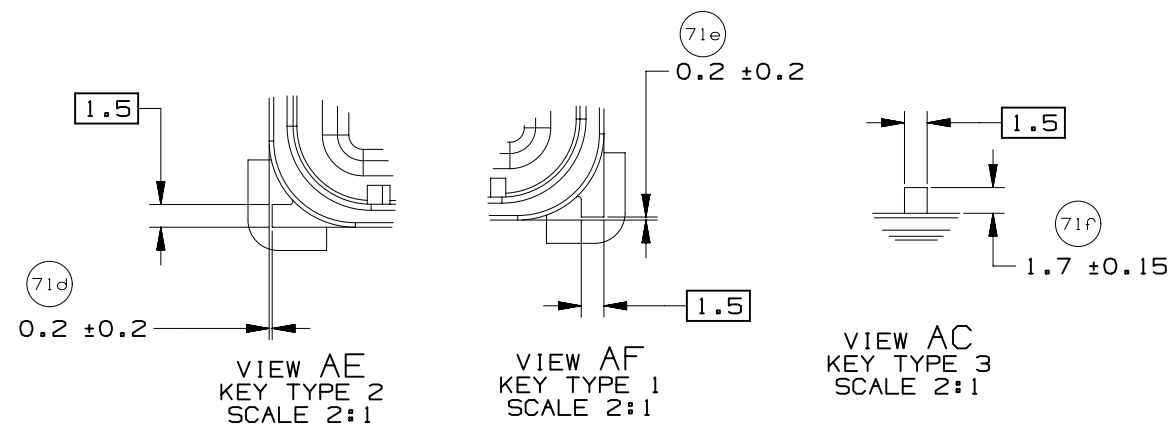
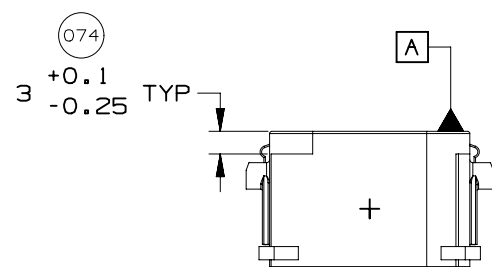
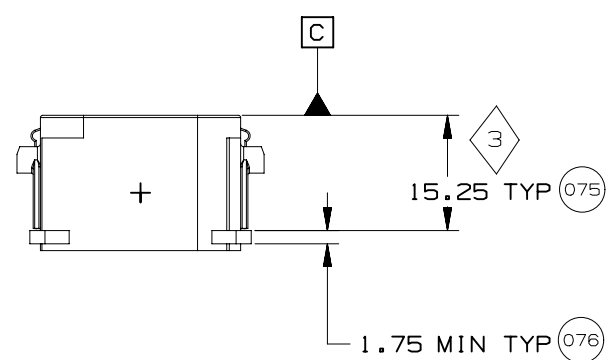
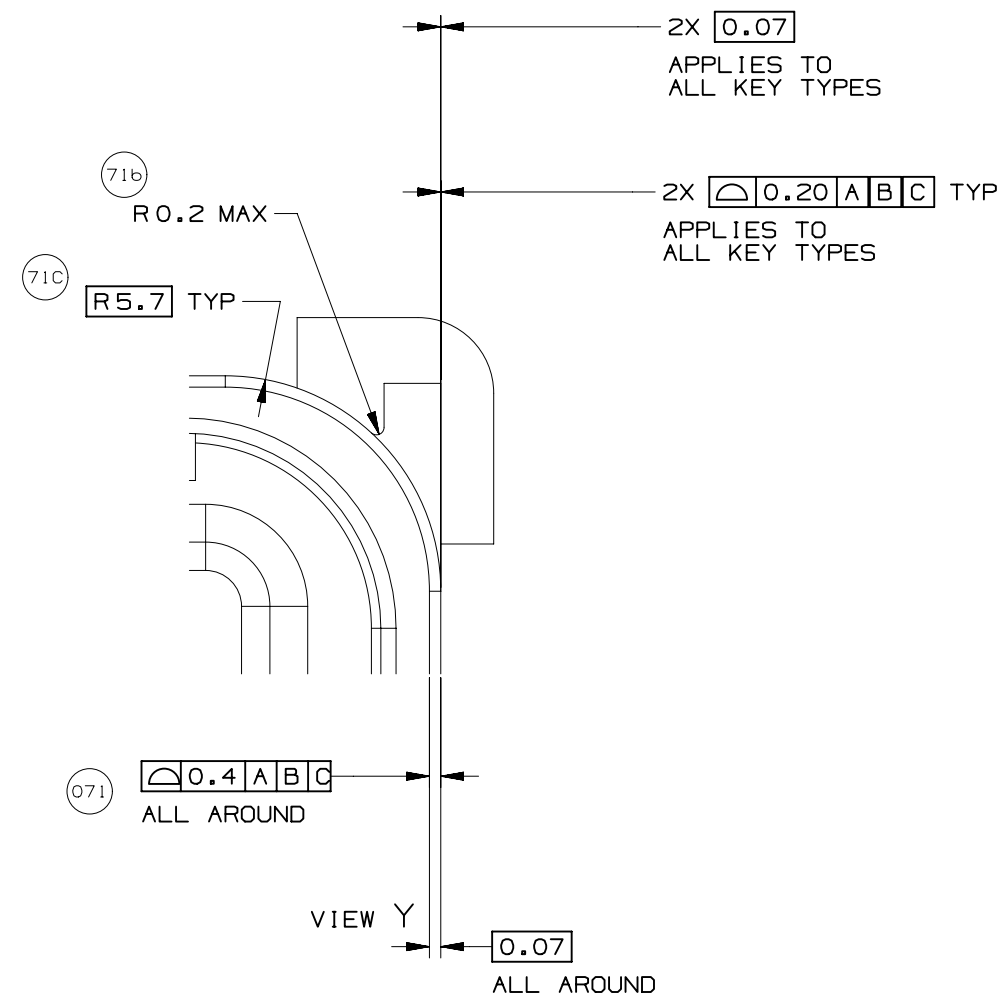
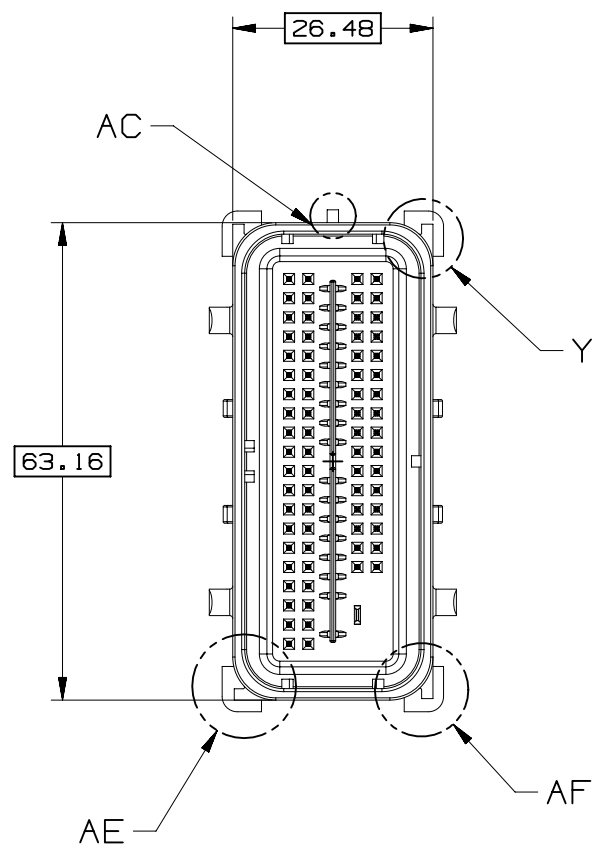
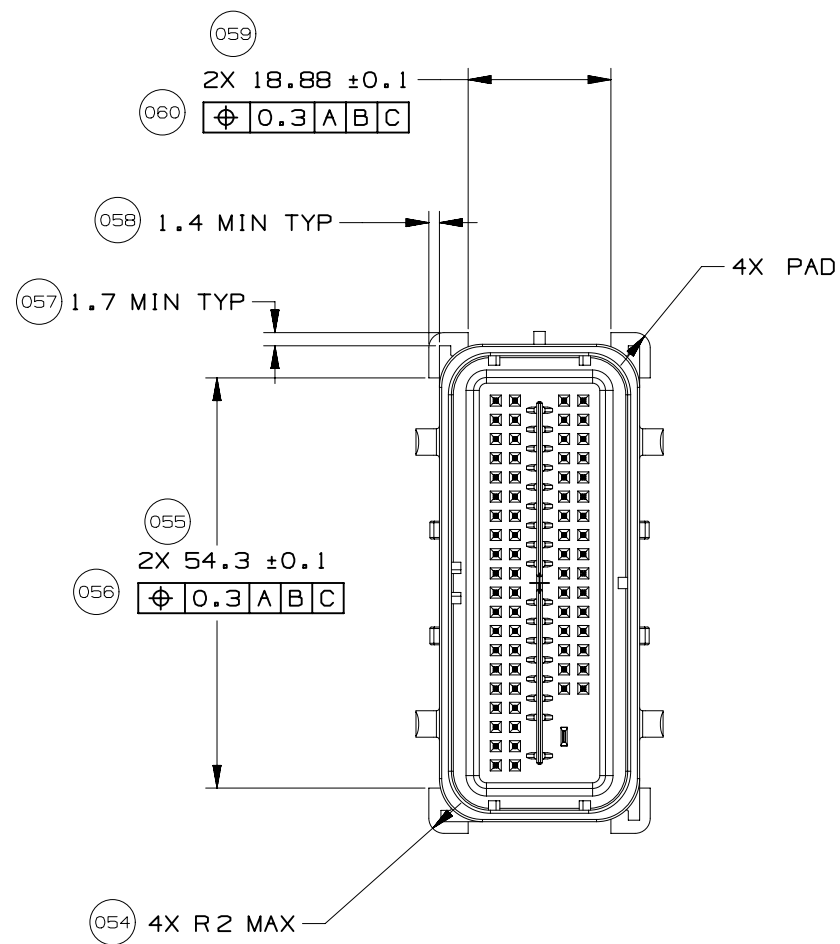
DRAWING NUMBER
12642695

| DWG STATUS | | | PAGE NUMBER |
|------------|-----|-----|-------------|
| ST | REV | PD1 | |
| R | 002 | | 15 OF 21 |



SECTION F-F

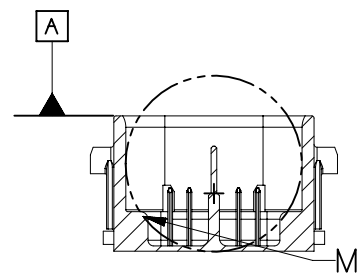
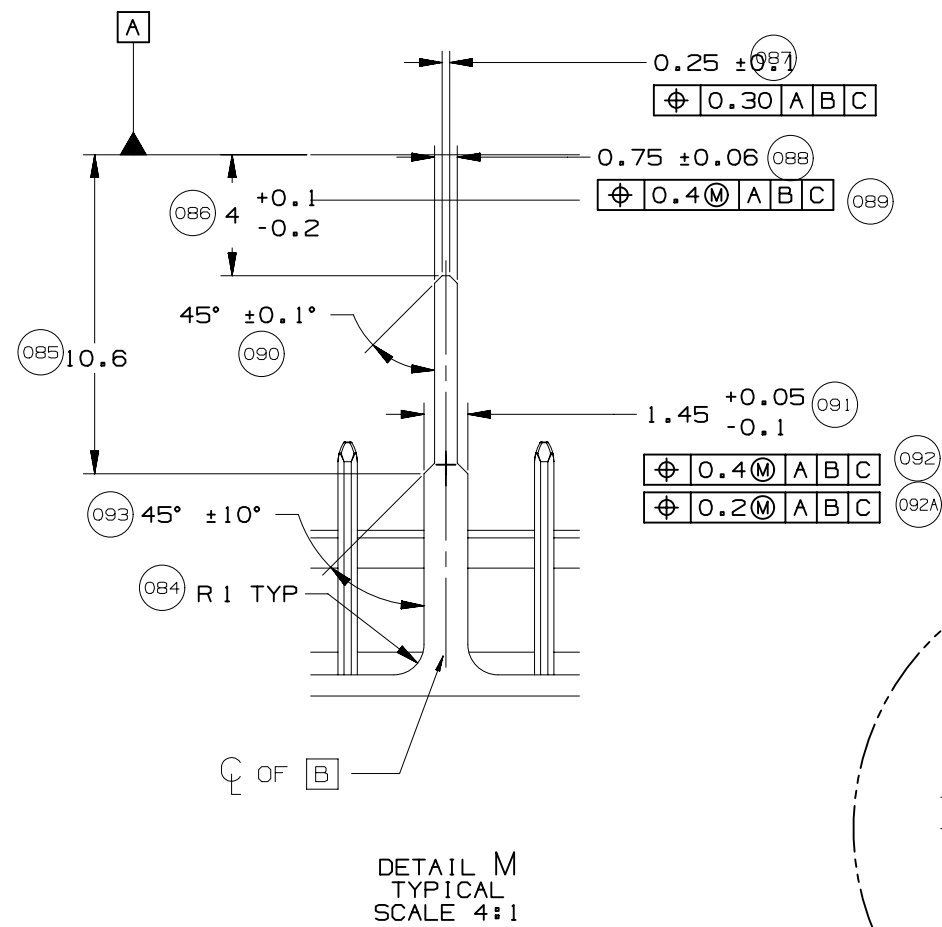
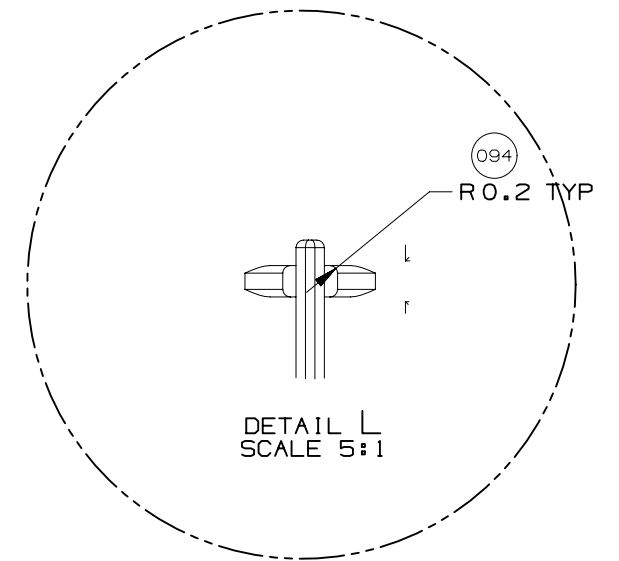
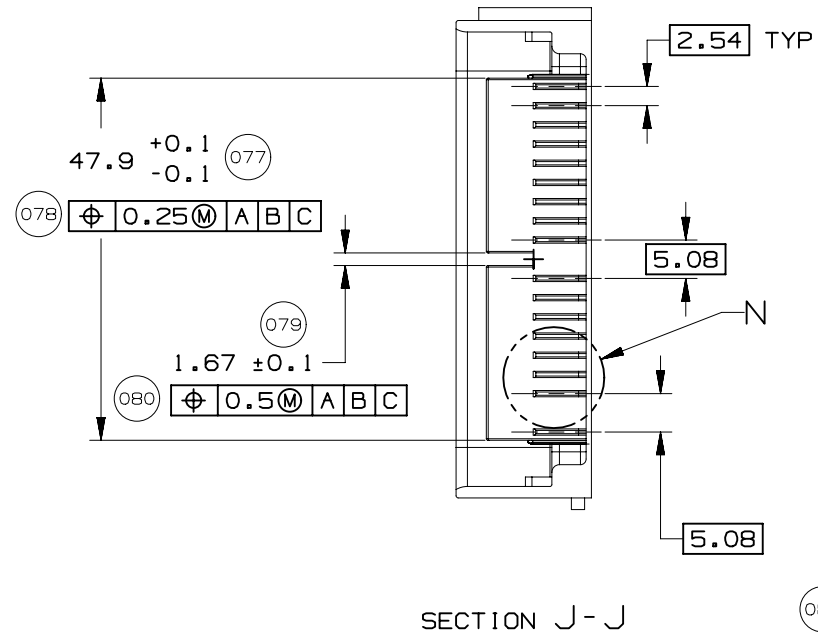
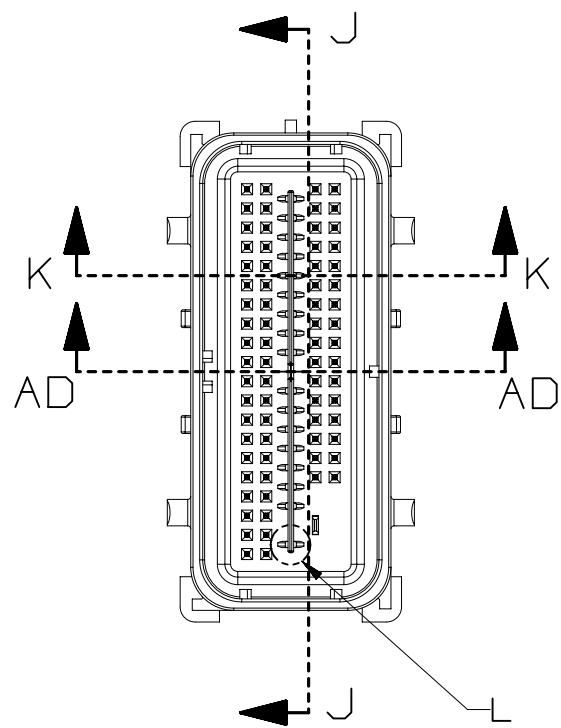




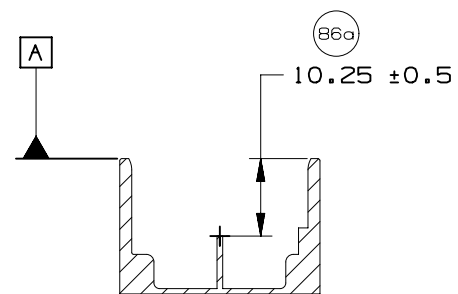
PAGE TITLE
 COMPONENT CONNECTOR INTERFACE

DRAWING NUMBER
 12642695

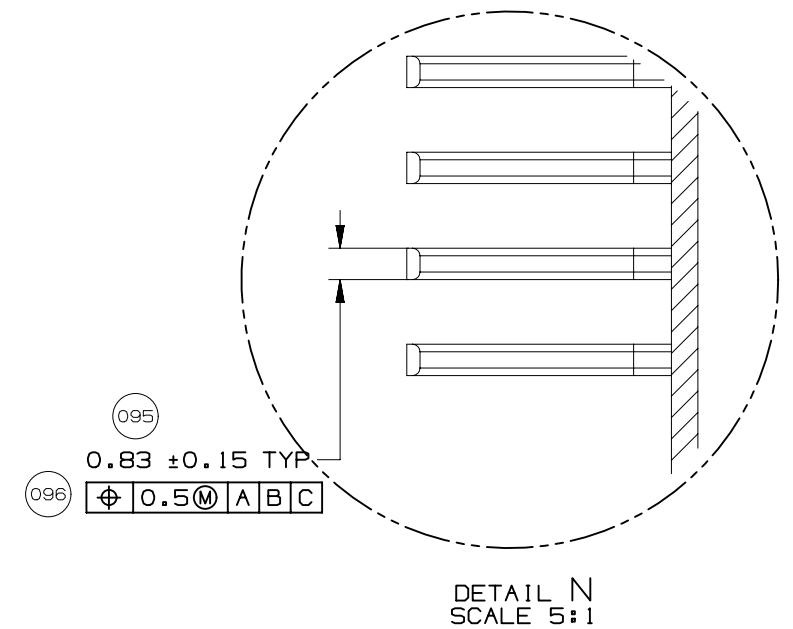
| DWG STATUS | | | PAGE NUMBER | |
|------------|-----|-----|-------------|-------|
| ST | REV | PD1 | | |
| R | 002 | | 17 | OF 21 |

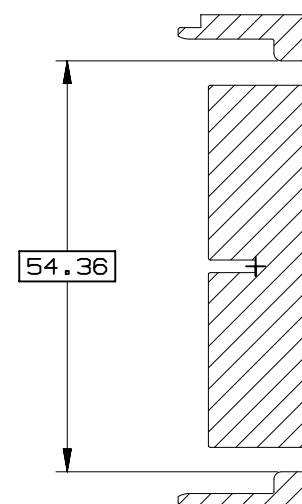
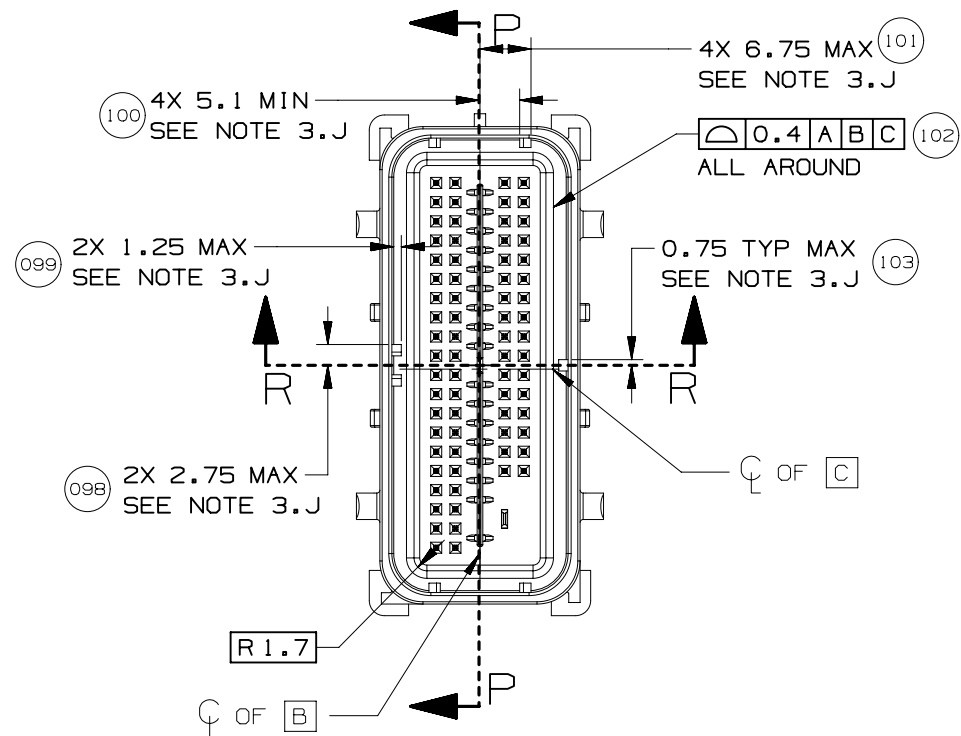


SECTION K-K

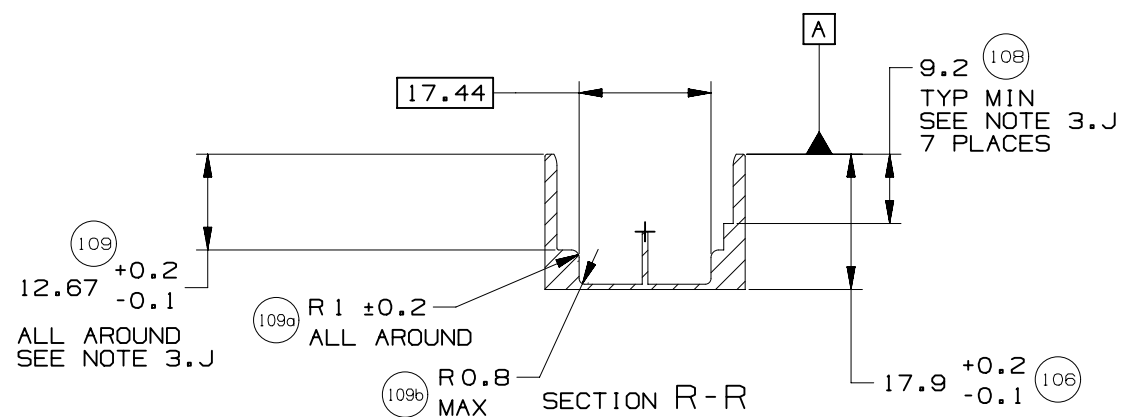


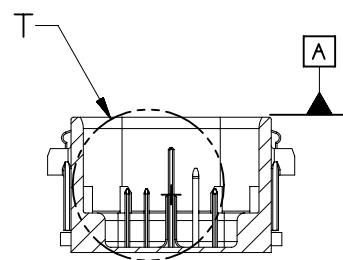
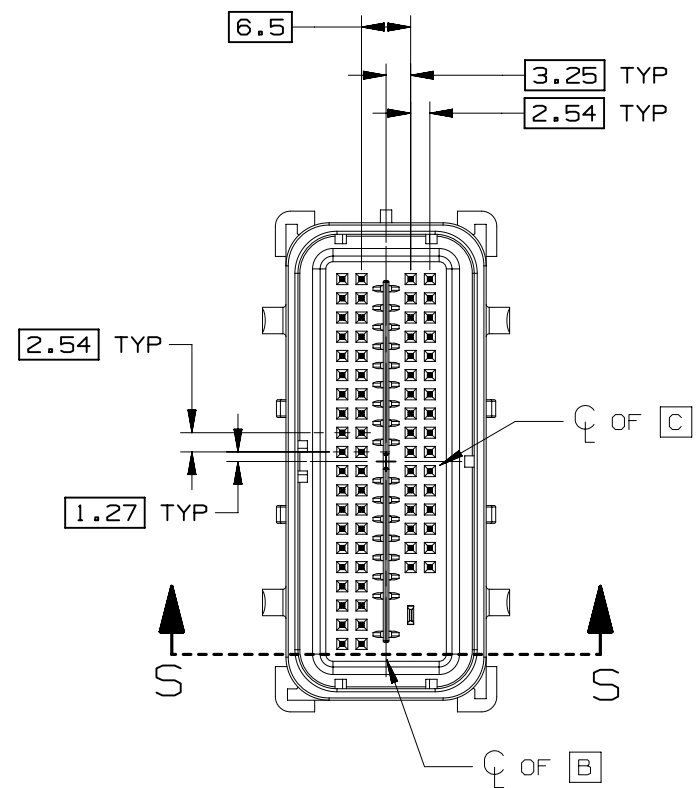
SECTION AD-AD



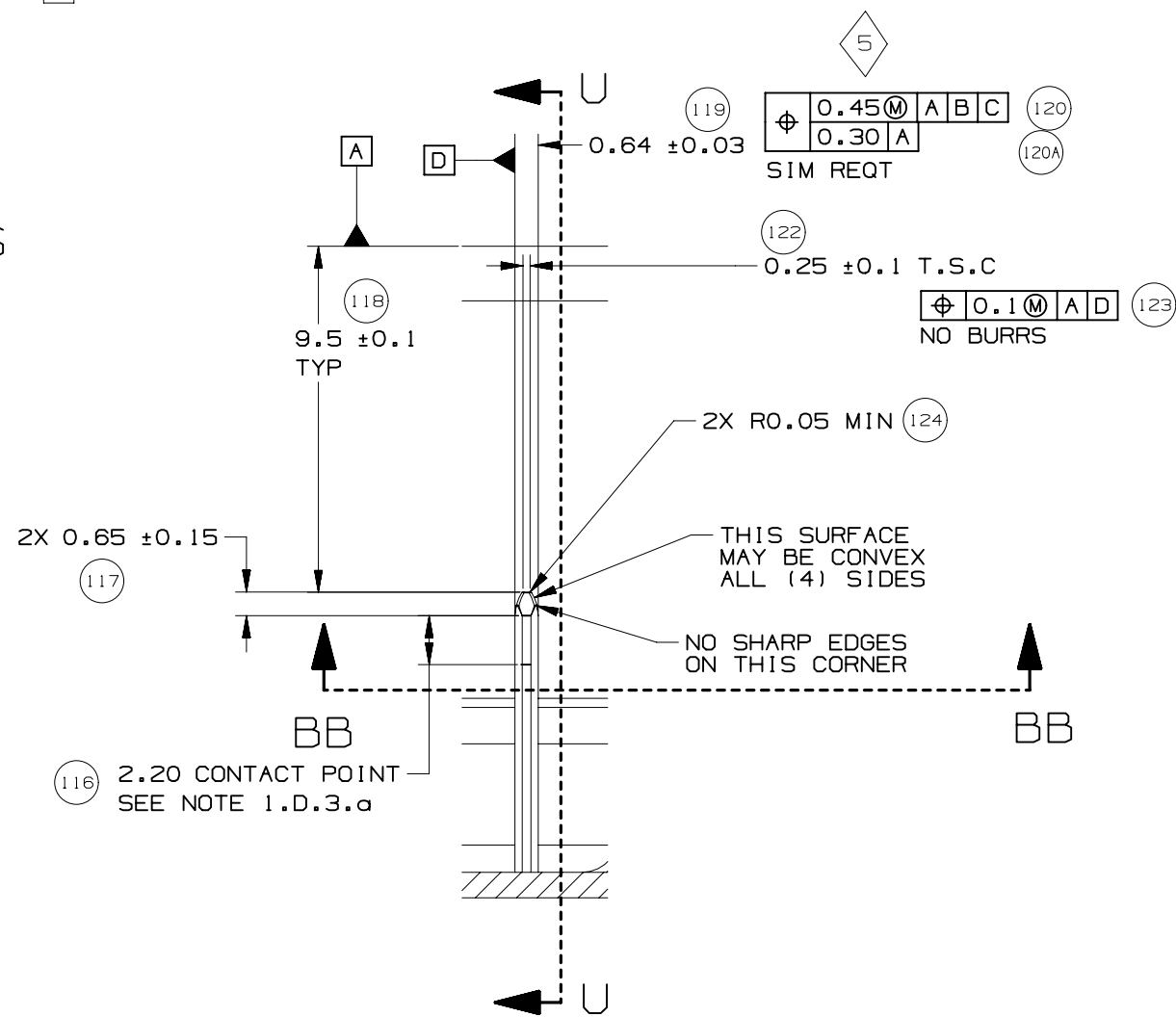


SECTION P-P

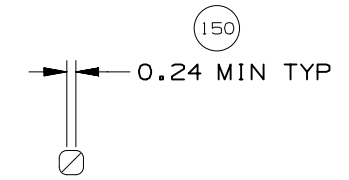




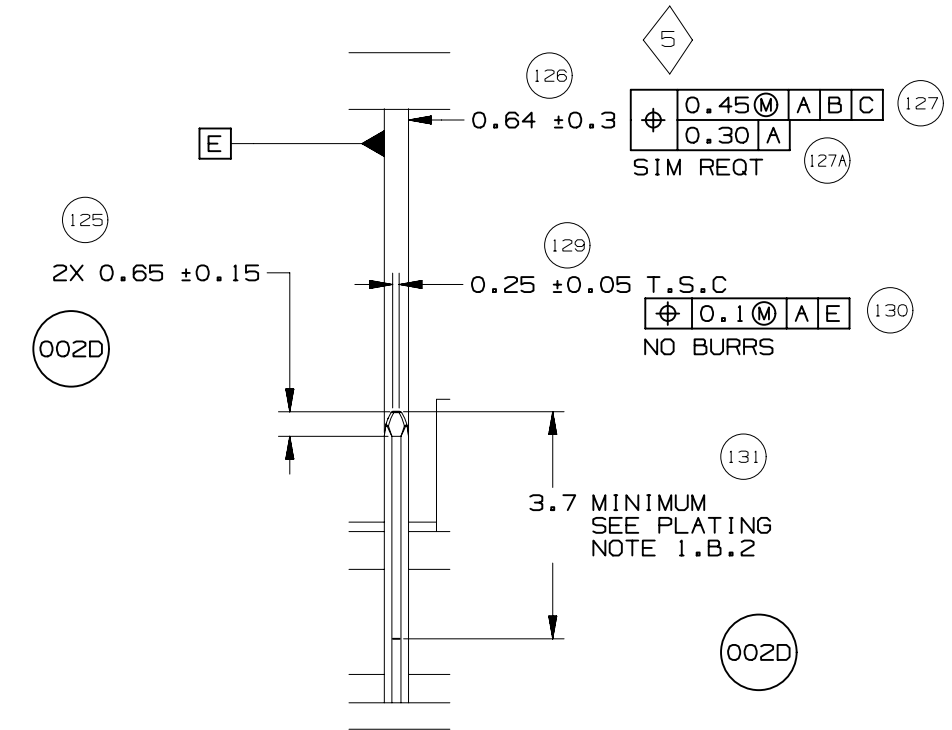
SECTION S-S



DETAIL T
TYPICAL
SCALE 5:1



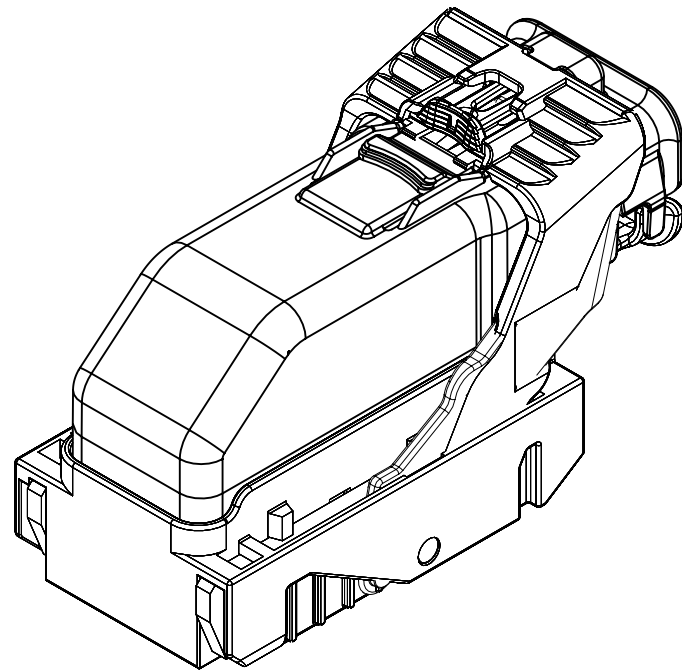
SECTION BB-BB




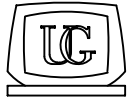
SECTION U-U



| INDEX | |
|---|------|
| PAGE TITLE | PAGE |
| TITLE BLOCK | 1 |
| REVISION BLOCK | 2 |
| PART BLOCK | 3 |
| KPC BLOCK | 4 |
| COMPONENT TABLE | 5 |
| NOTES | 6 |
| NOTES | 7 |
| WIRE DRESS PACKAGING DIMENSIONS | 8 |
| LOCATION AND PACKAGING DIMENSIONS REFERENCING INTERFACE DATUMS B & C | 9 |
| LOCATION AND PACKAGING DIMENSIONS REFERENCING INTERFACE DATUM A | 10 |
| KEY ID REF - WIRE DRESS OPTION 0 | 11 |
| KEY ID REF - WIRE DRESS OPTION 9 | 12 |
| CIRCUIT CONFIGURATIONS | 13 |
| CIRCUIT CONFIGURATIONS | 14 |
| COMPONENT CONNECTOR INTERFACE | 15 |
| COMPONENT CONNECTOR INTERFACE | 16 |
| COMPONENT CONNECTOR INTERFACE | 17 |
| COMPONENT CONNECTOR INTERFACE | 18 |
| COMPONENT CONNECTOR INTERFACE | 19 |
| COMPONENT CONNECTOR INTERFACE | 20 |
| COMPONENT CONNECTOR INTERFACE | 21 |




ISO VIEW

| | | | | |
|---|---|-------------------------------------|---|--|
|  | <p>UNLESS OTHERWISE SPECIFIED: THIS DOCUMENT IS IN ACCORDANCE WITH ASME Y14.5M-1994 AS AMMENDED BY THE GM GLOBAL DIMENSIONING AND TOLERANCING ADDENDUM-1997. ALL GEOMETRIC TOLERANCES AND RELATED DATUMS APPLY RFS. RULE #1 (PERFECT FORM AT MMC) DOES NOT APPLY WHEN A RELATIONSHIP BETWEEN FEATURES IS ESTABLISHED BY ORIENTATION OR LOCATION TOLERANCES. SEPARATE POSITION CALLOUTS MAY BE GAGED SEPARATELY REGARDLESS OF DATUM REFERENCES.</p> | | | DATE |
| |  CHANGE RESTRICTED NO MANUAL CHANGES | REFERENCE 12H (MOLEX AUTOMOTIVE) | DRAFTER J SZYMKOWSKI APVD1 D PFAFFINGER APVD2 B BURT APVD3 APVD4 APVD5 | 22DE05 22DE05 22DE05 |
| DO NOT SCALE | DRAWING NAME | | | |
| METRIC DIMENSIONS SHOWN IN MILLIMETERS UNLESS OTHERWISE SPECIFIED | HARNES CONN ASM 66/73/80 CKTS | | | |
| | DRAWING NUMBER 12642695 | DWG STATUS | | PAGE NUMBER 1 OF 21 |
| | | ST | REV | |
| | | R | 002 | |

| PAGE | DWG STATUS | | | | | REVISION HISTORY | AUTH | DR | CK | ENG |
|------|------------|----|-----|-----|-----|--|--------|-----|-----|-----|
| | DATE | ST | REV | CHG | PDI | | | | | |
| | 19DE11 | R | 001 | | | RELEASED TO PRODUCTION AT DLS A | CRMRJB | SC | MRO | GF |
| 3 | 08MY15 | R | 002 | A | | REORDERED PART BLOCK AND ADDED MASS CORRECTED P/N TYPO FROM 12562676 TO 12582676 | | | | |
| 3, 5 | | R | 002 | B | | ADDED 12659312, 12659313, 12653574 AND 12653575 | | | | |
| 6 | | R | 002 | C | | REMOVED NOTE 1 . D . 3 . C | | | | |
| 20 | | R | 002 | D | | DIM 125 WAS 3.25 DIM 131 WAS 5.5 | CRMRJD | DFK | MRO | GF |

| PAGE | DWG STATUS | | | | | REVISION HISTORY | AUTH | DR | CK | ENG |
|------|------------|----|-----|-----|-----|------------------|------|----|----|-----|
| | DATE | ST | REV | CHG | PDI | | | | | |

| | | | | | | | |
|---|----------------|----------------|------------|----|-----|-------------|---------|
|  | PAGE TITLE | DRAWING NUMBER | DWG STATUS | | | PAGE NUMBER | |
| | REVISION BLOCK | | 12642695 | ST | REV | PDI | 2 OF 21 |
| | | | | R | 002 | | |

KEY PRODUCT CHARACTERISTICS
(IN ACCORDANCE WITH QN 1805 OR ON 1050)



SAFETY/COMPLIANCE

TOTAL ON
DRAWING

5



FIT/FUNCTION

LAST NO.
USED

5

| NO | TYPE | DESCRIPTION | RATIONALE | PAGE/ZONE |
|----|------|---------------------------------|-------------------------------------|-----------|
| 1 | F/F | 32.68 | IMPROVE CONNECTOR SYSTEM MATING | 15 |
| 2 | F/F | 29.00 | INSURE PROPER RELEASE OF LEVER | 15 |
| 3 | F/F | 15.25 | INSURE FINAL MATE POSITION | 16 |
| 5 | F/F | POSITIONAL TOLERANCE (2 PLACES) | INSURE CONNECTOR SYSTEM MATEABILITY | 19 |



PAGE TITLE
KPC BLOCK

DRAWING NUMBER

12642695

DWG STATUS

| | | |
|----|-----|-----|
| ST | REV | PD1 |
|----|-----|-----|

| | | |
|---|-----|--|
| R | 002 | |
|---|-----|--|

PAGE NUMBER

4 OF 21

| LINE | MFG. | MFG. P/N | GM P/N | EFFECTIVE DATE | APPLICABLE COMPONENTS | KEY OPTION | WIRE DRESS OPTION | KEY CONFIG. | COLOR | STATUS |
|------|--------|--------------|----------|----------------|---|------------|-------------------|-------------|---------|------------|
| | | | | | DESCRIPTION | | | | | |
| - | | | | | | | | | | |
| 1 | MOLEX | 34565-0003 | 12582676 | 02JN03 | MX123 DRESS COVER 66/73/80 CKT | N/A | N/A | N/A | BLACK | AVAILABLE |
| 2 | MOLEX | 34822-0013 | 12642692 | 01SP13 | MX123 HRNS CONN ASSY 66 CKT | A | 0 | 1458 | BLACK | AVAILABLE |
| 3 | MOLEX | 34822-0033 | 12659312 | 01SP13 | MX123 HRNS CONN ASSY 66 CKT | C | 0 | 2467 | BLUE | AVAILABLE |
| 4 | MOLEX | 34822-0023 | 12642693 | 01SP13 | MX123 HRNS CONN ASSY 66 CKT | A | 9 | 1458 | BLACK | AVAILABLE |
| 5 | MOLEX | 34822-0043 | 12659313 | 01SP13 | MX123 HRNS CONN ASSY 66 CKT | C | 9 | 2467 | BLUE | AVAILABLE |
| 6 | MOLEX | 34566-0103 | 12582677 | 11JN04 | MX123 HRNS CONN ASSY 73 CKT | A | 0 | 1458 | BLACK | AVAILABLE |
| 7 | MOLEX | 34566-0203 | 12582678 | 11JN04 | MX123 HRNS CONN ASSY 73 CKT | B | 0 | 1468 | ST GRAY | AVAILABLE |
| 8 | MOLEX | 34566-0303 | 12615654 | 09AP08 | MX123 HRNS CONN ASSY 73 CKT | C | 0 | 2467 | BLUE | AVAILABLE |
| 9 | MOLEX | 34566-0403 | 12647268 | T.B.D | MX123 HRNS CONN ASSY 73 CKT | D | 0 | 2367 | BROWN | NOT ACTIVE |
| 10 | MOLEX | 34566-0503 | AMJ28633 | T.B.D | MX123 HRNS CONN ASSY 73 CKT | E | 0 | 2468 | GREEN | NOT ACTIVE |
| 11 | MOLEX | 34566-0603 | 12653574 | 05DC14 | MX123 HRNS CONN ASSY 73 CKT | F | 0 | 1357 | NATURAL | AVAILABLE |
| 12 | MOLEX | 34566-0703 | 12588057 | 09AP08 | MX123 HRNS CONN ASSY 80 CKT | G | 0 | 1358 | BLUE | AVAILABLE |
| 13 | MOLEX | 34566-0803 | 12588058 | 11JN04 | MX123 HRNS CONN ASSY 80 CKT | H | 0 | 2458 | ST GRAY | AVAILABLE |
| 14 | MOLEX | 34566-0903 | 12615656 | T.B.D | MX123 HRNS CONN ASSY 80 CKT | J | 0 | 2457 | BLACK | NOT ACTIVE |
| 15 | MOLEX | 34566-1003 | AMJ28595 | T.B.D | MX123 HRNS CONN ASSY 80 CKT | K | 0 | 2357 | BROWN | NOT ACTIVE |
| 16 | MOLEX | 34566-1103 | AMJ29057 | T.B.D | MX123 HRNS CONN ASSY 80 CKT | L | 0 | 2368 | GREEN | NOT ACTIVE |
| 17 | MOLEX | 34566-1203 | AMJ28669 | T.B.D | MX123 HRNS CONN ASSY 80 CKT | M | 0 | 2358 | NATURAL | NOT ACTIVE |
| 18 | MOLEX | 34566-1303 | 12603596 | 11JN04 | MX123 HRNS CONN ASSY 73 CKT | A | 9 | 1458 | BLACK | AVAILABLE |
| 19 | MOLEX | 34566-1403 | 12603597 | 11JN04 | MX123 HRNS CONN ASSY 73 CKT | B | 9 | 1468 | ST GRAY | AVAILABLE |
| 20 | MOLEX | 34566-1503 | 12615655 | 09AP08 | MX123 HRNS CONN ASSY 73 CKT | C | 9 | 2467 | BLUE | AVAILABLE |
| 21 | MOLEX | 34566-1603 | 12647269 | T.B.D | MX123 HRNS CONN ASSY 73 CKT | D | 9 | 2367 | BROWN | NOT ACTIVE |
| 22 | MOLEX | 34566-1703 | AMJ28698 | T.B.D | MX123 HRNS CONN ASSY 73 CKT | E | 9 | 2468 | GREEN | NOT ACTIVE |
| 23 | MOLEX | 34566-1803 | 12653575 | 05DC14 | MX123 HRNS CONN ASSY 73 CKT | F | 9 | 1357 | NATURAL | AVAILABLE |
| 24 | MOLEX | 34566-1903 | 12603598 | 09AP08 | MX123 HRNS CONN ASSY 80 CKT | G | 9 | 1358 | BLUE | AVAILABLE |
| 25 | MOLEX | 34566-2003 | 12603599 | 11JN04 | MX123 HRNS CONN ASSY 80 CKT | H | 9 | 2458 | ST GRAY | AVAILABLE |
| 26 | MOLEX | 34566-2103 | 12615657 | T.B.D | MX123 HRNS CONN ASSY 80 CKT | J | 9 | 2457 | BLACK | NOT ACTIVE |
| 27 | MOLEX | 34566-2203 | AMJ29117 | T.B.D | MX123 HRNS CONN ASSY 80 CKT | K | 9 | 2357 | BROWN | NOT ACTIVE |
| 28 | MOLEX | 34566-2303 | AMJ29136 | T.B.D | MX123 HRNS CONN ASSY 80 CKT | L | 9 | 2368 | GREEN | NOT ACTIVE |
| 29 | MOLEX | 34566-2403 | AMJ29214 | T.B.D | MX123 HRNS CONN ASSY 80 CKT | M | 9 | 2358 | NATURAL | NOT ACTIVE |
| 30 | MOLEX | 34736-2002 | 12642697 | 01AU10 | MX64 RCPT TERM Ag 18/20 GAGE B (RIGHT PAYOFF) | N/A | N/A | N/A | N/A | AVAILABLE |
| 31 | MOLEX | 34736-2001 | 12642696 | 01AU10 | MX64 RCPT TERM Ag 22 GAGE B (RIGHT PAYOFF) | N/A | N/A | N/A | N/A | AVAILABLE |
| 32 | MOLEX | 34586-0001 | T.B.D. | 11JN04 | MX123 0.64MM GROMMET PLUG | N/A | N/A | N/A | NATURAL | AVAILABLE |
| 33 | YAZAKI | 7116-4150-02 | 12588066 | 02JN03 | 2.8mm YESC SEALED FEMALE TERMINAL TIN 20/22 GAGE (CABLE RANGE 0.30mm-0.60mm) | N/A | N/A | N/A | N/A | NOT ACTIVE |
| 34 | YAZAKI | 7116-4151-02 | 12588067 | 02JN03 | 2.8mm YESC SEALED FEMALE TERMINAL TIN 16/18 GAGE (CABLE RANGE 0.75mm-1.40mm) | N/A | N/A | N/A | N/A | NOT ACTIVE |
| 35 | YAZAKI | 7116-4152-02 | 12582685 | 02JN03 | 2.8mm YESC SEALED FEMALE TERMINAL TIN 14 GAGE (CABLE RANGE 1.50mm-2.50mm) | N/A | N/A | N/A | N/A | AVAILABLE |
| 36 | YAZAKI | 7158-3111-60 | 12588068 | 02JN03 | 2.8mm CABLE SEAL (wire O.D. range 1.20mm-1.90mm) | N/A | N/A | N/A | GREEN | NOT ACTIVE |
| 37 | YAZAKI | 7158-3112-70 | 12588069 | 02JN03 | 2.8mm CABLE SEAL (wire O.D. range 1.80mm-2.30mm) | N/A | N/A | N/A | YELLOW | NOT ACTIVE |
| 38 | YAZAKI | 7158-3113-40 | 12582686 | 02JN03 | 2.8mm CABLE SEAL (wire O.D. range 2.18mm-3.00mm) | N/A | N/A | N/A | WHITE | AVAILABLE |
| 39 | YAZAKI | 7158-3114-90 | T.B.D | 02JN03 | 2.8mm YESC CAVITY PLUG | N/A | N/A | N/A | BLUE | AVAILABLE |
| 40 | MOLEX | 63811-4200 | XX019825 | 02JN03 | MX64 TERM HAND CRIMP TOOL | N/A | N/A | N/A | N/A | AVAILABLE |
| 41 | MOLEX | 63813-1400 | XX019826 | 02JN03 | MX64 TERM SERVICE TOOL | N/A | N/A | N/A | N/A | AVAILABLE |
| 42 | MOLEX | 63865-8000 | XX019827 | 02JN03 | MX64 CRIMP APPLICATOR with TOOL KIT 18/20 GAGE PAYOFF DIRECTION D (left payoff) (contact Molex for payoff detail) | N/A | N/A | N/A | N/A | AVAILABLE |
| 43 | MOLEX | 63865-8070 | XX019828 | 02JN03 | MX64 APPLICATOR TOOL KIT 18/20 GAGE | N/A | N/A | N/A | N/A | AVAILABLE |
| 44 | MOLEX | 63865-8100 | XX019829 | 02JN03 | MX64 CRIMP APPLICATOR with TOOL KIT 22 GAGE PAYOFF DIRECTION D (left payoff) (contact Molex for payoff detail) | N/A | N/A | N/A | N/A | AVAILABLE |
| 45 | MOLEX | 63865-8170 | XX019830 | 02JN03 | MX64 APPLICATOR TOOL KIT 22 GAGE | N/A | N/A | N/A | N/A | AVAILABLE |
| 46 | SPX | J35616-64 | T.B.D. | 02JN03 | 0.64mm PROBE TOOL (for rcpt) | N/A | N/A | N/A | N/A | AVAILABLE |
| 47 | SPX | J35616-64A | T.B.D. | 02JN03 | 0.64mm PROBE TOOL WITH EXT (for rcpt) | N/A | N/A | N/A | N/A | AVAILABLE |
| 48 | SPX | J35616-65 | T.B.D. | 02JN03 | 0.64mm PROBE TOOL WITH EXT (for pin) | N/A | N/A | N/A | N/A | AVAILABLE |
| 49 | SPX | J35616-4A | T.B.D. | 02JN03 | 2.8mm PROBE TOOL (for rcpt) | N/A | N/A | N/A | N/A | AVAILABLE |
| 50 | YAZAKI | X39899-J374 | 12094430 | 02JN03 | 2.8mm TERM SERVICE TOOL | N/A | N/A | N/A | N/A | AVAILABLE |

002B

* - MX123 DRESS COVER 73/80/66 CKT MATES TO ANY MX123 HARN CONN ASSY SHOWN ON TABLE ABOVE



PAGE TITLE
COMPONENT TABLE

DRAWING NUMBER

12642695

DWG STATUS

| | | |
|----|-----|-----|
| ST | REV | PD1 |
| R | 002 | |

PAGE NUMBER

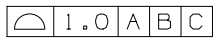
5 OF 21

NOTES: UNLESS OTHERWISE SPECIFIED

1. MATERIAL FOR INTERFACE:

- A. RESIN:
 - 1. 30% G.F. PBT; 20% MAX. (BY WEIGHT) REGRIND.
 - 2. MATING CONNECTOR INTERFACE PART COLOR MUST BE SAME AS MATCHING KEYED HARNESS CONNECTOR ASSEMBLY.
 - 3. MUST BE VALIDATED FOR INDIVIDUAL DEVICE APPLICATION REQUIREMENTS.
- B. 0.64MM PINS:
 - 1. BASE MATERIAL: COPPER ALLOY; CONDUCTIVITY >= 28% IACS AT 20°C; TENSILE STRENGTH >= 635 N/mm²; SURFACE ROUGHNESS R_a 6 MAX.
 - 2. PLATING FINISH: SILVER (Ag). PLATING TO BE 1.9-3.3 μm ELECTRODEPOSITED SEMI-BRIGHT SILVER OVER 1.25-2.25 μm DUCTILE SULPHAMATE NICKEL PER NOTE 1(D).
 - 3. ANTI-TARNISH: SYNTHETIC HYDROCARBON CONTACT SURFACE FINISH OR EQUIVALENT APPLIED WITHOUT VOID TO CONTACT AREA (MIN 3.7mm FROM PIN TIP).
- C. 2.8MM BLADE:
 - 1. BASE MATERIAL: COPPER ALLOY; CONDUCTIVITY >= 28% IACS AT 20°C; TENSILE STRENGTH >= 350 N/mm²; SURFACE ROUGHNESS R_a 6 MAX.
 - 2. PLATING FINISH: TIN. PLATING TO BE 2.5-5.0 μm ELECTRODEPOSITED TIN, MATTE FINISH OVER 1.25-2.5 μm DUCTILE SULPHAMATE NICKEL PER NOTE 1(D).
- D. PLATING REQUIREMENTS:
 - 1. SILVER PLATING
 - a. 99.5% PURE SEMI-BRIGHT WITH NO ORGANIC BRIGHTNERS OR CHROMATES.
 - 2. NICKEL PLATING
 - a. ELECTRODEPOSITED DUCTILE SULFAMATE NICKEL WITH A NON-BRIGHTENED FINISH. NO ORGANIC OR BRIGHTENING AGENTS SHALL BE ALLOWED.
 - b. SHALL ONLY BE USED AS AN UNDERLYING PLATING AND MAY NOT BE USED AS AN ELECTRICAL CONTACT SURFACE PLATING.
 - c. SHALL BE NODULE FREE WHEN VIEWED AT 10X MAGNIFICATION IN MEASURED IN CONTACT SURFACE AREA PLUS 0.5MM PERIMETER AROUND THE CONTACT SURFACE AREA.
 - d. ALL PLATINGS SHALL HAVE A 1.0% MAXIMUM BY WEIGHT IMPURITIES. IMPURITIES ARE DEFINED AS ALL ELEMENTS NOT THE PRIMARY PLATING OR HARDENING AGENT IF APPLICABLE, AS DETERMINED BY WET CHEMICAL ANALYSIS OR AUGER METHOD. NO SINGLE IMPURITY SHALL EXCEED 0.1% MAXIMUM BY WEIGHT.
 - 3. TESTING
 - a. THICKNESS TO BE MEASURED IN CONTACT SURFACE AREA PLUS 0.5MM PERIMETER AROUND THE CONTACT SURFACE AREA AS DESIGNATED IN THE DRAWING. THICKNESS SHALL BE DETERMINED BY METHOD OF X-RAY (XRF).
 - b. PLATING ADHESION SHALL BE TESTED BY A BEND TEST FOR ALL METALS. THE TEST SAMPLE SHALL BE BENT 90 DEGREES TO DETERMINE DEPOSIT ADHESION. TESTING SHALL BE COMPLETED IN ACCORDANCE WITH ASTM SPEC B571.


2. DESIGN - GENERAL:

- A. THIS IS A 100% CAD GENERATED PART. THE CAD MATHEMATICAL DATA IS THE MASTER FOR THIS PART. FOR DIMENSIONAL OR ANY INFORMATION NOT SHOWN ON THIS DRAWING, ANALYZE THE CAD MODEL.
- B. TOLERANCES:
 - 1. LINEAR
 - 0.X ± 0.30
 - 0.XX ± 0.10
 - 0.XXX ± 0.10
 - 2. ANGULAR X° ± 3°
 - 3. 
- C. MINIMUM WALL THICKNESS REQUIRED: 1.3mm.
- D. CORNERS SHOWN AS SHARP TO BE R 0.2 MAX.
- E. LETTERING SHALL BE 0.15 MAX RAISED IN 0.20 MAX RECESS PAD. THIS INCLUDES MATERIAL CODE, RECYCLING CODE, CAVITY ID AND DATE CODE.
- F-1. PARTS MUST BE FREE OF DISCOLORATION, SALT RESIDUE AND OTHER IMPERFECTIONS THAT AFFECT FIT OR FUNCTION.
- F-2. SCRATCHES OR DENTS NOT TO EXCEED 0.013mm IN DEPTH.
- G. FOLLOWING PRODUCTION CODES TO BE PERMANENTLY MARKED & HUMAN READABLE TO A LETTER HEIGHT OF 1.5 ± 0.5MM X 0.3 MAX DEEP
 - 1. MATERIAL #: XXXXX-XXXX
 - 2. DATE CODE: JJYY (JULIAN DAY, LAST DIGIT OF YEAR)
 - 3. INSPECTION MACHINE CODE + SERIAL #: X_XXXXX

3. DESIGN - MANUFACTURING:

- A. DRAFT TO BE WITHIN TOLERANCE.
- B. ALLOWABLE FLASH MAX 0.2 HIGH X MAX 0.13 THICK.
- C. ALLOWABLE PARTING LINE MISMATCH 0.2 MAX.
- D. EJECTOR PINS MARK TO BE FLUSH TO 0.25 MAX DEPRESSED.
- E. ALLOWABLE GATE VESTIGE FLUSH TO 0.25 MAX PROTRUSION.
- F. NO EXTERNAL MOLD RELEASE AGENT ALLOWED DURING MANUFACTURING.
- G. STEEL THAT FORMS THE INDICATED SURFACE MUST BE POLISHED WITH A DIAMOND FINISH (SPI A-2) OVER THE FULL PERIPHERY OF THE TOOL. SURFACE MUST HAVE NO MISMATCH.
- H. ANY PROCESS LUBRICANT REMAINING ON THE TERMINAL MUST NOT VARNISH OR DEGRADE IT'S ELECTRICAL PERFORMANCE UP TO A MAXIMUM CLASS AMBIENT TEMPERATURE PER SAE USCAR-2 FOR 1008 HOURS. PROCESS LUBRICANTS SHOULD BE APPROVED BY THE RESPONSIBLE ENGINEER.
- J. OPTIONAL FEATURES PROVIDED FOR AUTOMATION.
- K. PART MUST BE FREE FROM BURRS AND SHARP EDGES, WHICH MIGHT BE DETRIMENTAL TO SATISFACTORY ASSEMBLY, SAFE HANDLING OR FUNCTION OF PART.
- L. PARTS AS DELIVERED TO ASSEMBLY SHALL BE CLEAN AND FREE OF DEBRIS, RESIDUAL ABRASIVE MATERIAL AND CORROSION PRODUCTS ADVERESLY AFFECTING FUNCTION OR APPEARANCE.
- M. RESTRICTED AND REPORTABLE SUBSTANCES FOR PARTS PER GMW3059.

002C

| | | | | | | |
|---|------------|-----------------------------------|------------|-----|-----|------------------------|
|  | PAGE TITLE | DRAWING NUMBER 12642695 | DWG STATUS | | | PAGE NUMBER 6 OF 21 |
| | NOTES | | ST | REV | PDI | |
| | | | R | 002 | | |

NOTES: UNLESS OTHERWISE SPECIFIED

4. SYSTEM REQUIREMENTS:

A. HARNESS CONNECTOR IS COMPATIBLE WITH THE FOLLOWING SAE WIRE SIZE NO'S:

- 14, MEETING SAE J1128
- 18, MEETING SAE J1128, MAX O.D. OF 2.06 MM
- 20, MEETING SAE J1128
- 22, MEETING SAE J1128, MIN O.D. OF 1.47 MM

B. CABLE TIE SPECIFICATIONS:

- 1. CABLE TIE:
 - TENSILE RATING: 220N / (50lbs) MIN
 - TIE LENGTH: 186mm MIN
 - TIE WIDTH: 4.75mm MAX
 - MATERIAL: NYLON
- 2. INSTALLATION:
 - CABLE TIE TENSION: 190N MIN
- 3. DRESSED WIRE BUNDLE PACKAGING: SEE FIG. 1

C. WHEN MATED WITH COMPONENT CONNECTOR INTERFACE AND/OR DRESS COVER, HARNESS CONNECTOR SYSTEM CONFORMS TO THE FOLLOWING:

- 1. SAE/USCAR-2, REV: 3 APRIL, 2001; CLASS 3
- 2. FIELD CORRELATED LIFE TEST, SAE/USCAR-20, NOV. 2001
- 3. GMW #3191 AUGUST 22, 2000 (DRAFT); TEMPERATURE CLASS 3, SEALING CLASS 1, VIBRATION CLASS 2
- 4. RESTRICTED AND REPORTABLE CHEMICALS PER GMW #3059, REV: D AUGUST 2002
- 5. TPA USER FORCES (FULLY POPULATED WITH TERMINALS)
 - a. REMOVAL FROM LOCK TO PRE-SET: <=120N

D. WIRE SPECIFICATIONS:

- 1. WIRE SURFACE MUST BE FREE OF SCRATCHES, GROOVES OR DENTS WHERE FUNCTIONAL

5. TERMINAL CURRENT RATINGS:

ALL TESTING DONE IN ACCORDANCE WITH USCAR-2 REV5 SECTION 5.3

A. MX64 RCPT TERM

- 1. MX64 RCPT TERM Ag 18/20 GAGE CRIMPED TO SAE WIRE SIZE NO.18 AND MATED TO MX123 0.64MM PIN: 11.3 AMPS
- 2. MX64 RCPT TERM Ag 22 GAGE CRIMPED TO SAE WIRE SIZE NO.22 AND MATED TO MX123 0.64MM PIN:8.5 AMPS

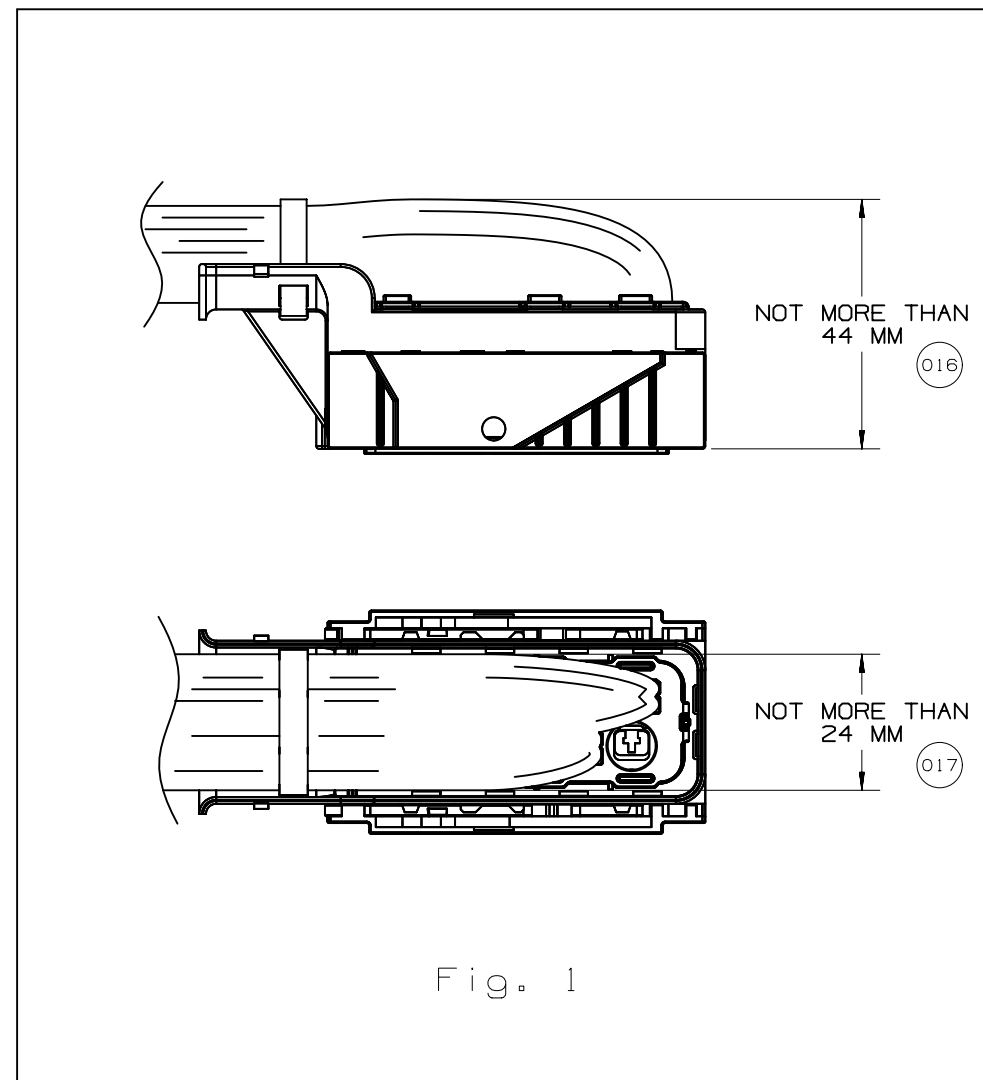
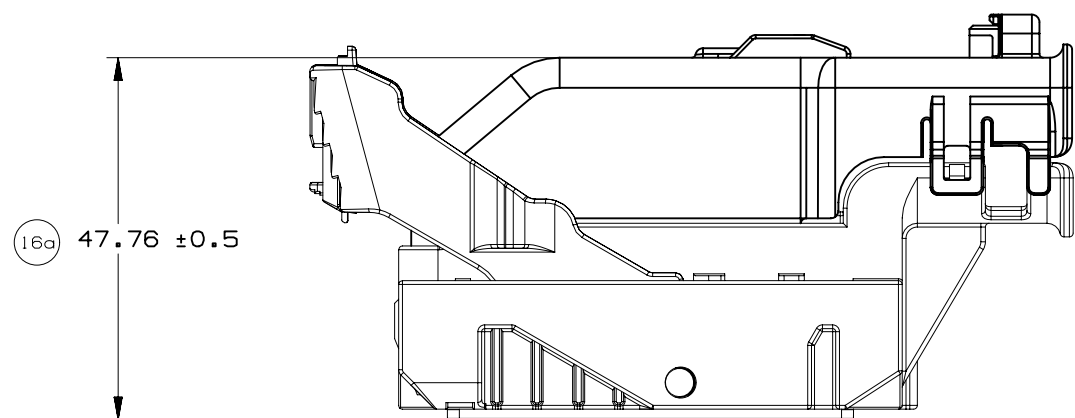
| WIRE | CURRENT RATING | | | |
|-------|----------------|-------|-------|-------|
| | 23°C | 85°C | 105°C | 125°C |
| 18AWG | 11.3A | 11.3A | 9.5A | 6.6A |
| 20AWG | 10.0A | 10.0A | 8.3A | 5.7A |
| 22AWG | 8.6A | 8.6A | 7.1A | 5.0A |

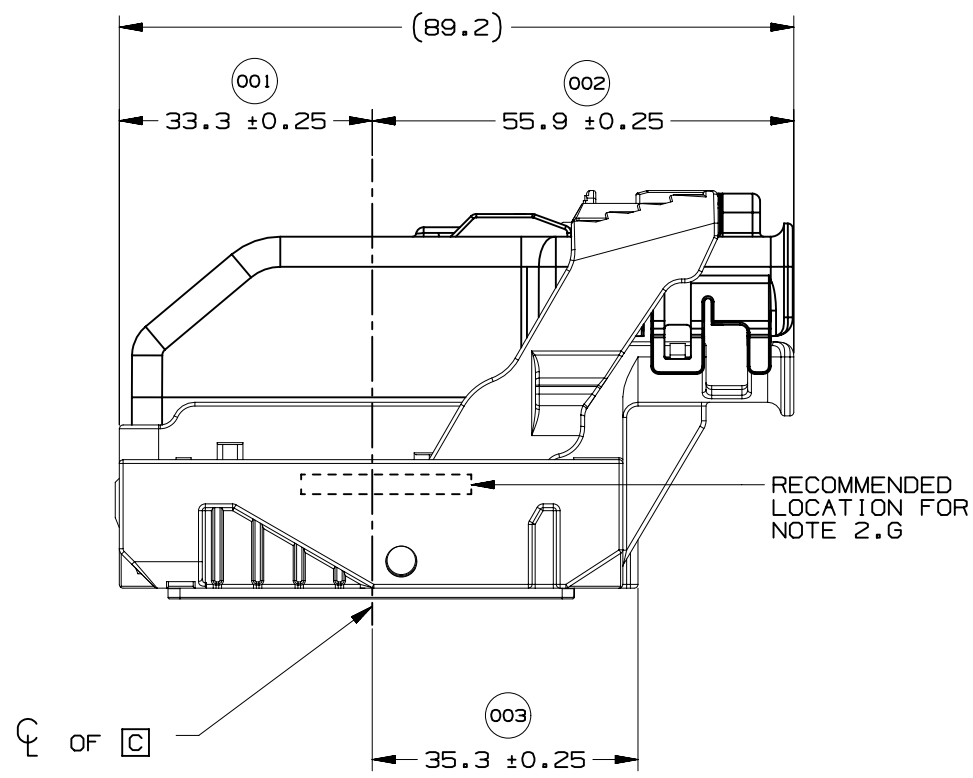
B. 2.8MM RCPT TERM

- 1. 2.8MM RCPT TERM TIN 14 GAGE CRIMPED TO SAE WIRE SIZE NO.14 AND MATED TO MX123 2.8MM BLADE: 25.6 AMPS

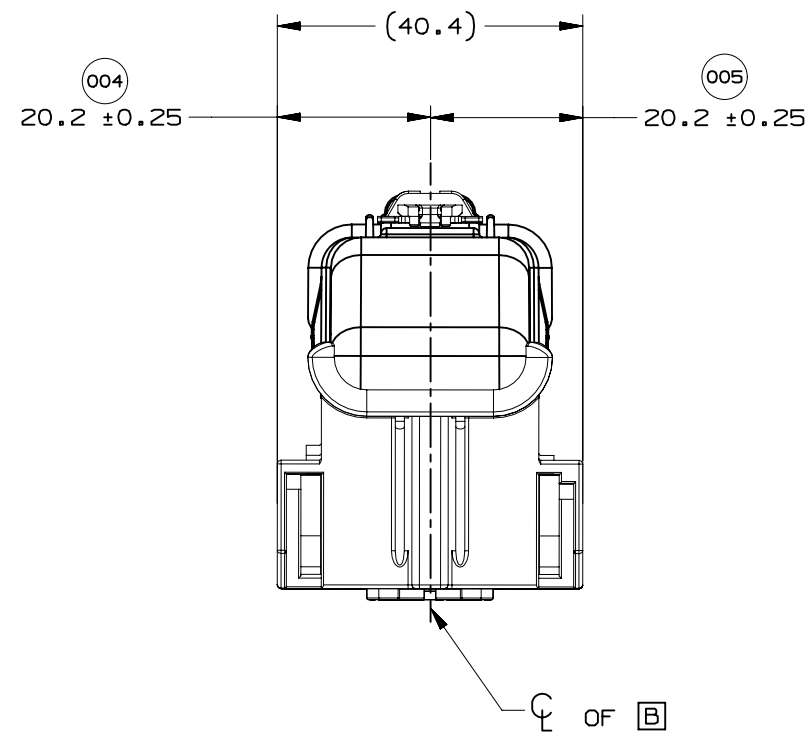
6. CONTACT MOLEX AUTOMOTIVE FOR AVAILABLE CUSTOM PATTERNS OF CAVITIES OPEN FOR CIRCUITS



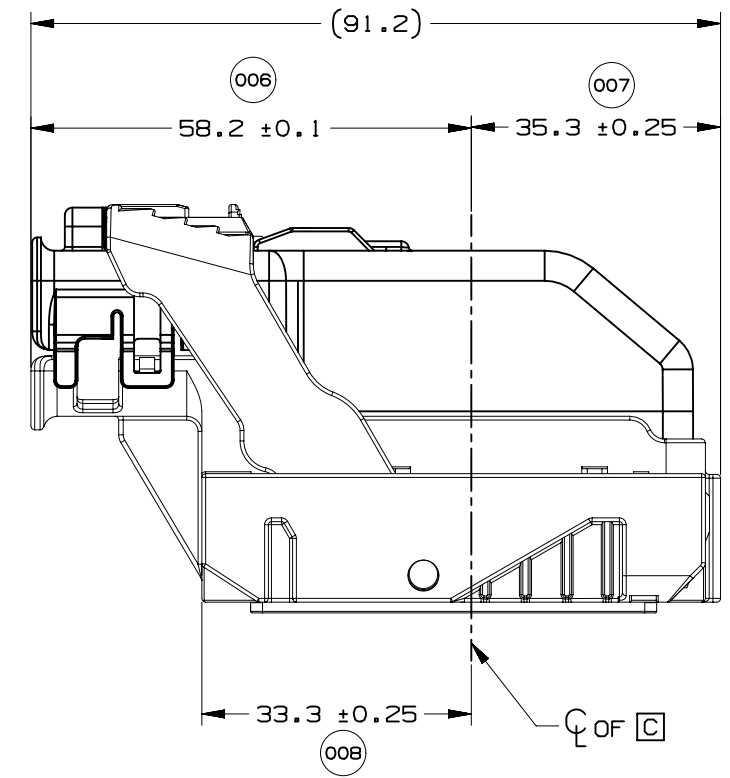




WIRE DRESS OPTION 0 SHOWN

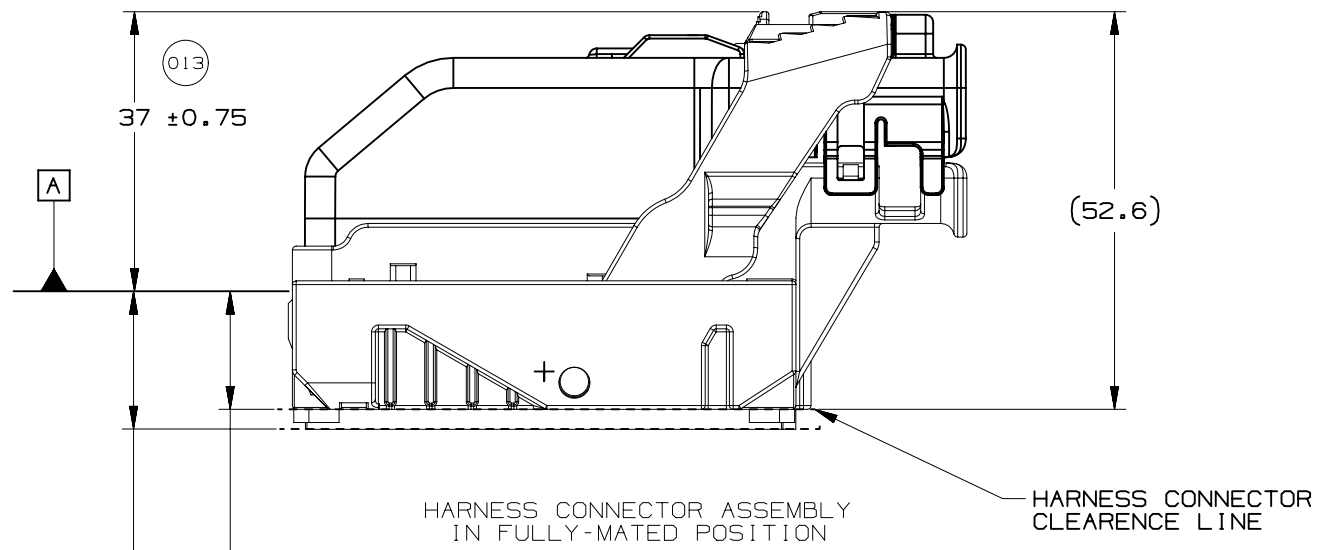
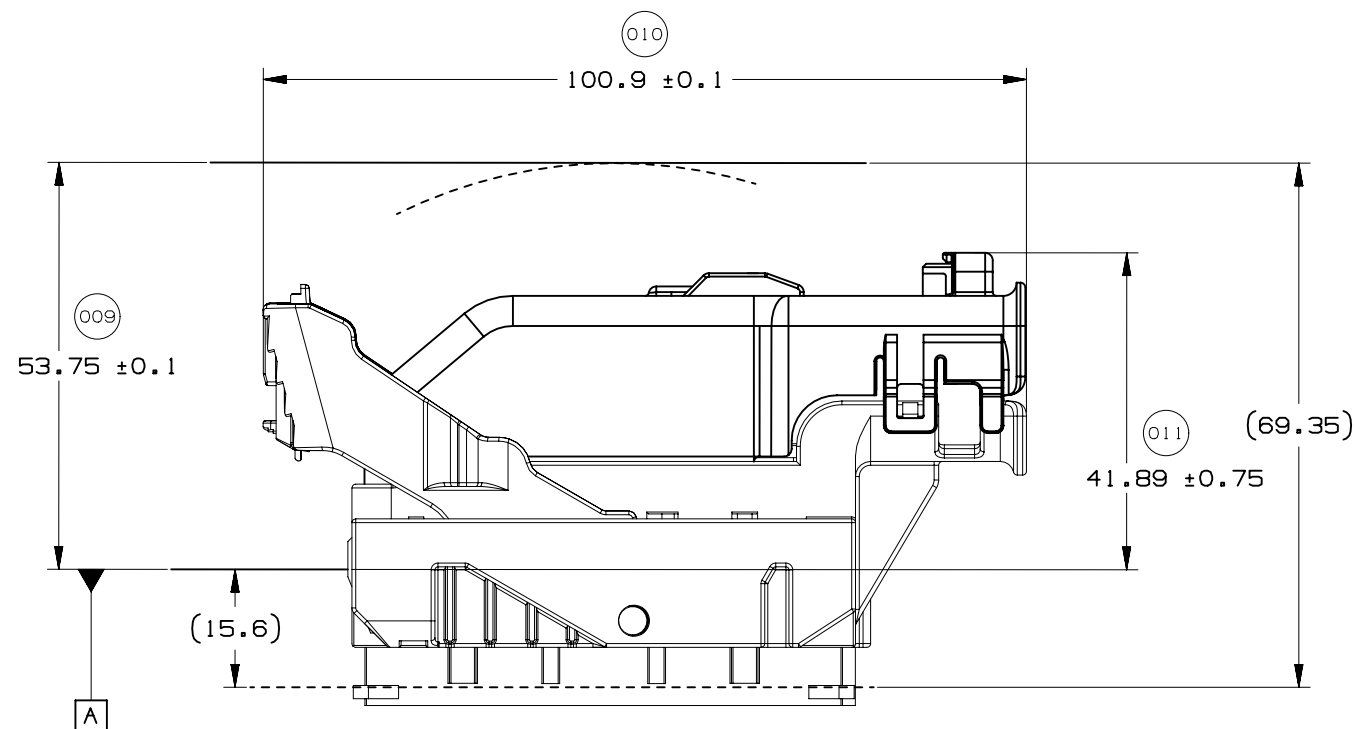
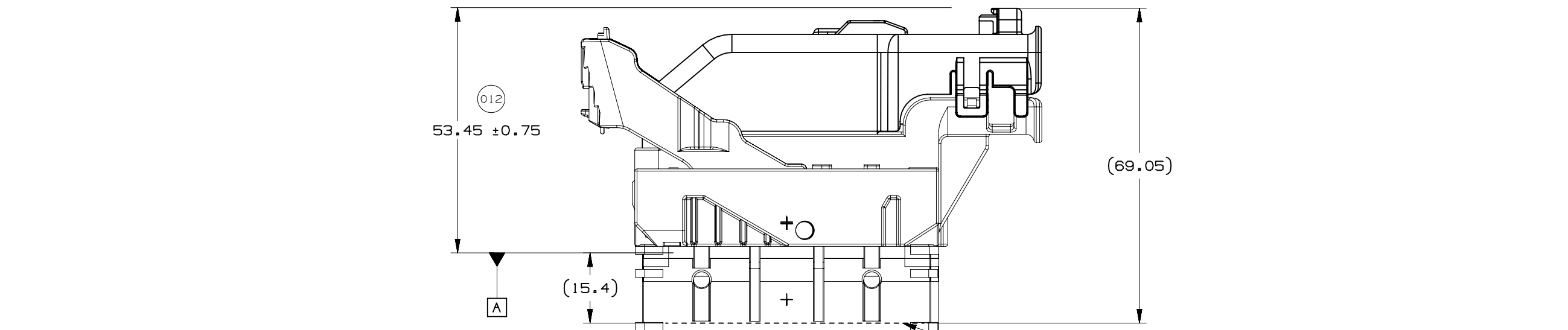


WIRE DRESS OPTION 0 SHOWN



WIRE DRESS OPTION 9 SHOWN



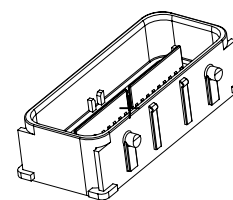
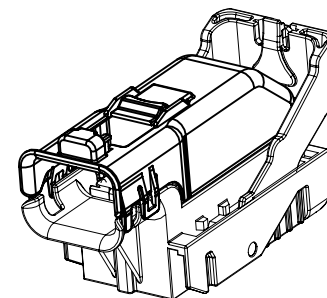
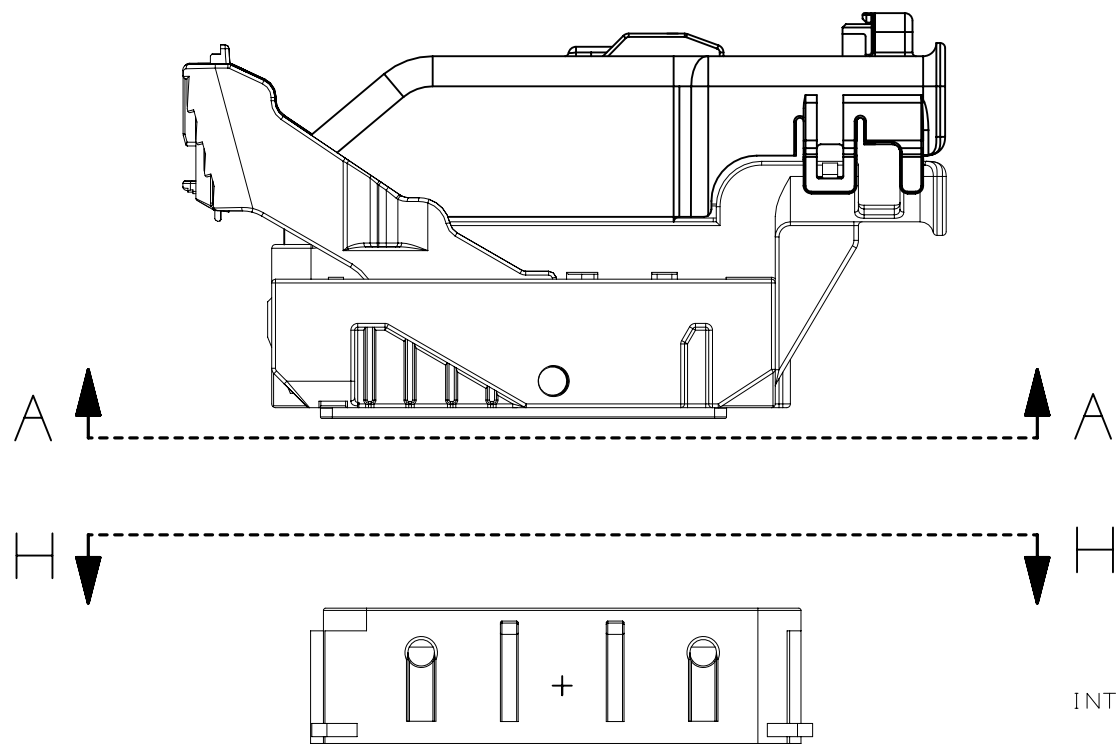


PAGE TITLE
 LOCATION AND PACKAGING DIMENSIONS
 REFERENCING INTERFACE DATUM A

DRAWING NUMBER
 12642695

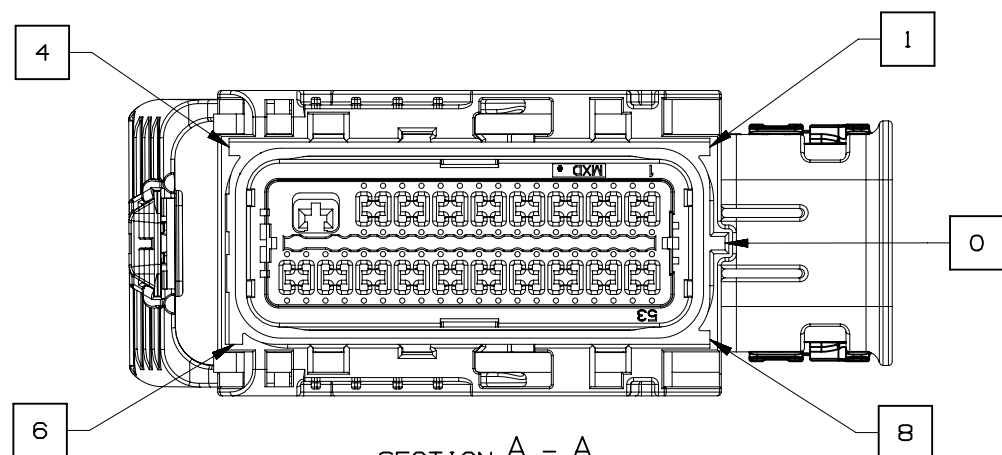
| DWG STATUS | | |
|------------|-----|-----|
| ST | REV | PD1 |
| R | 002 | |

PAGE NUMBER
 10 OF 21

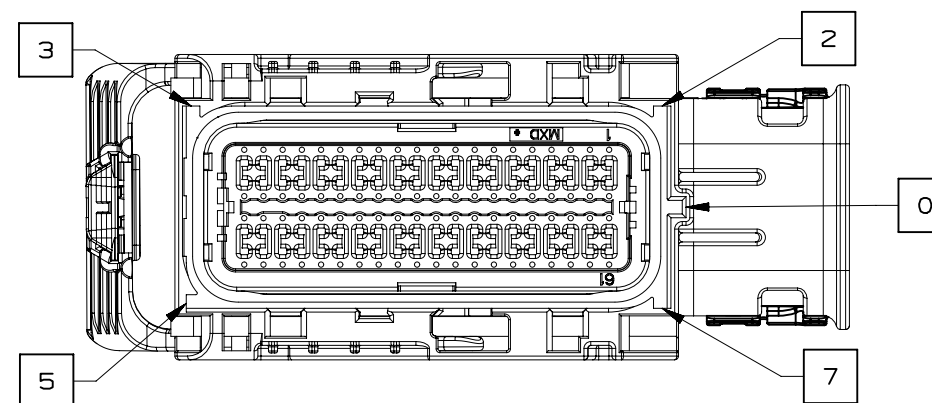


NOTE: REFERENCE THE COMPONENT TABLE FOR KEY OPTIONS AND CONFIGURATIONS

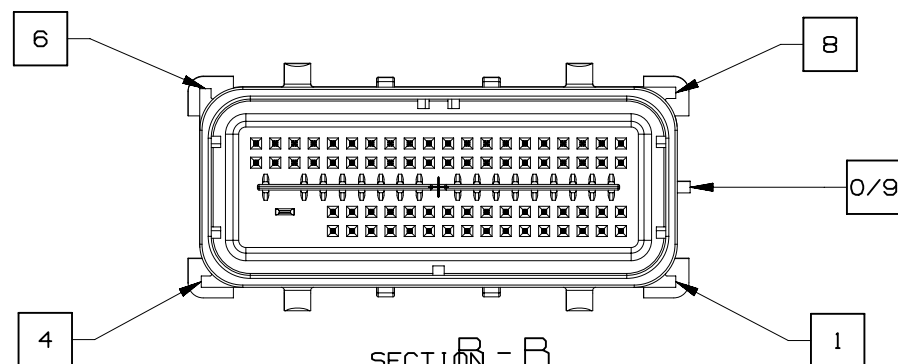
INTERFACE SIDE SHOWN ON ALL SECTION VIEWS



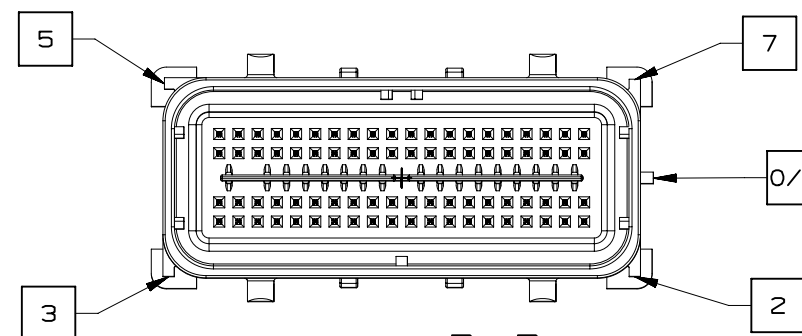
SECTION A - A
KEY OPTION B SHOWN



SECTION A - A
KEY OPTION K SHOWN



SECTION B - B
KEY OPTION B SHOWN



SECTION B - B
KEY OPTION K SHOWN

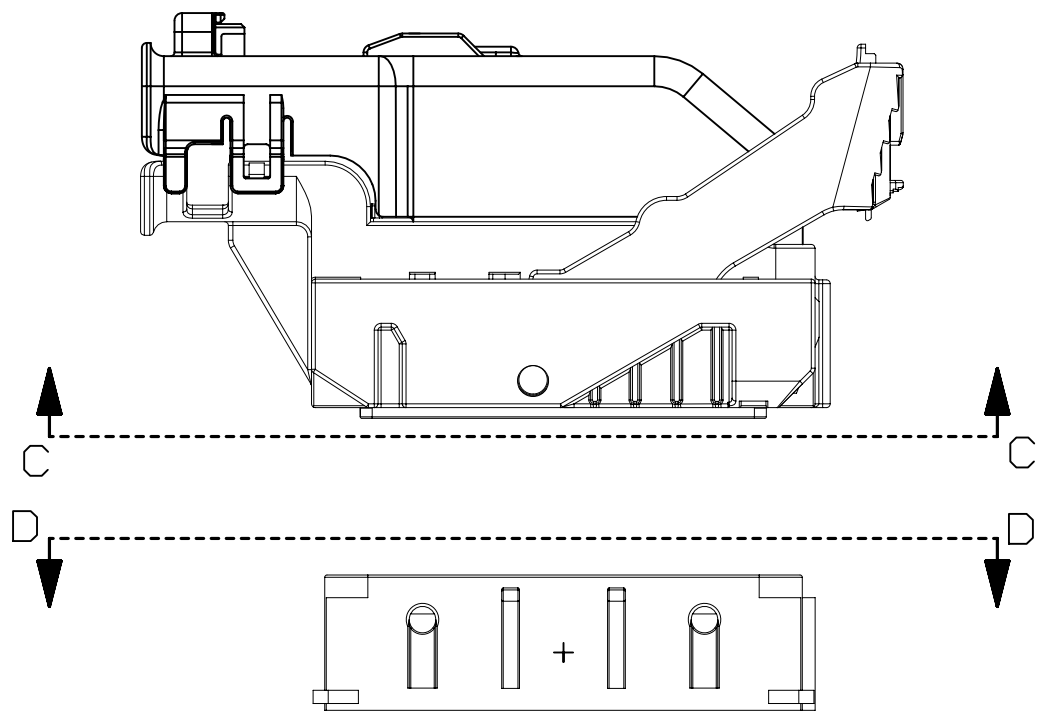


PAGE TITLE
KEY ID REF - WIRE DRESS OPTION 0

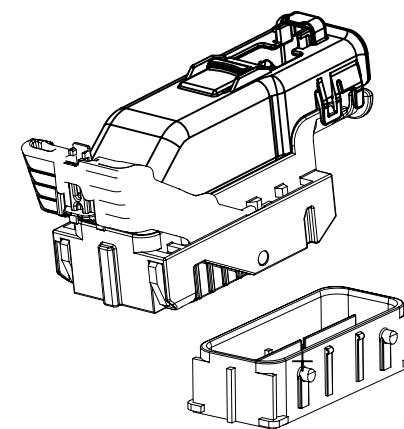
DRAWING NUMBER
12642695

| DWG STATUS | | |
|------------|-----|-----|
| ST | REV | PD1 |
| R | 002 | |

PAGE NUMBER
11 OF 21

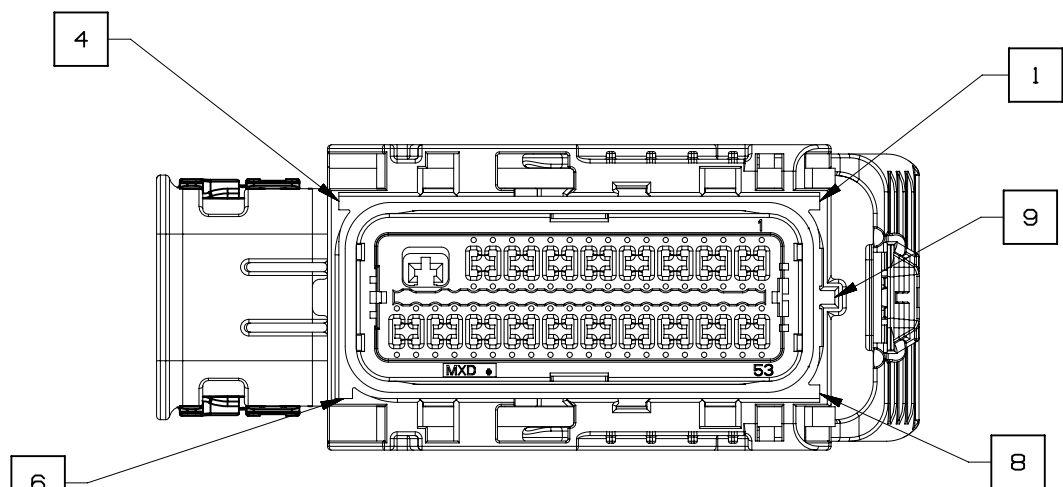


INTERFACE SIDE SHOWN ON ALL SECTION VIEWS

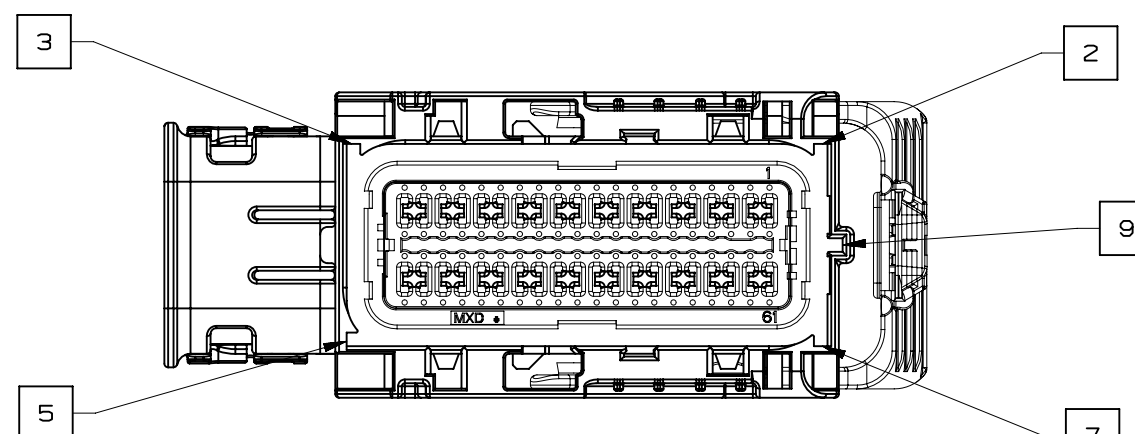


NOTE: REFERENCE THE COMPONENT TABLE FOR KEY OPTIONS AND CONFIGURATIONS

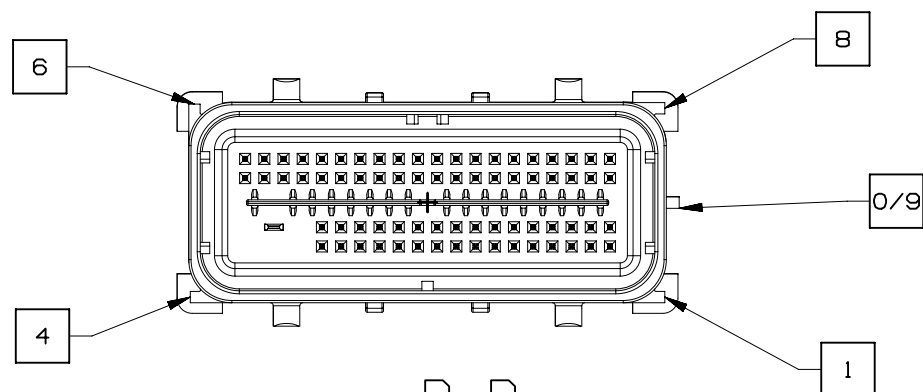
VIEW V



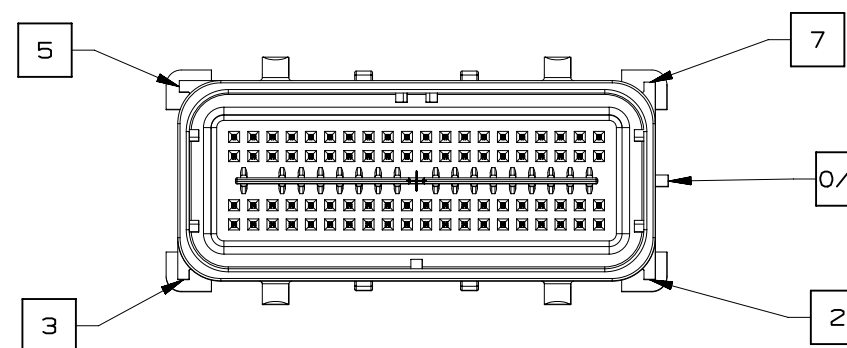
SECTION C-C
KEY OPTION B SHOWN



SECTION C-C
KEY OPTION K SHOWN



SECTION D-D
KEY OPTION B SHOWN



SECTION D-D
KEY OPTION K SHOWN

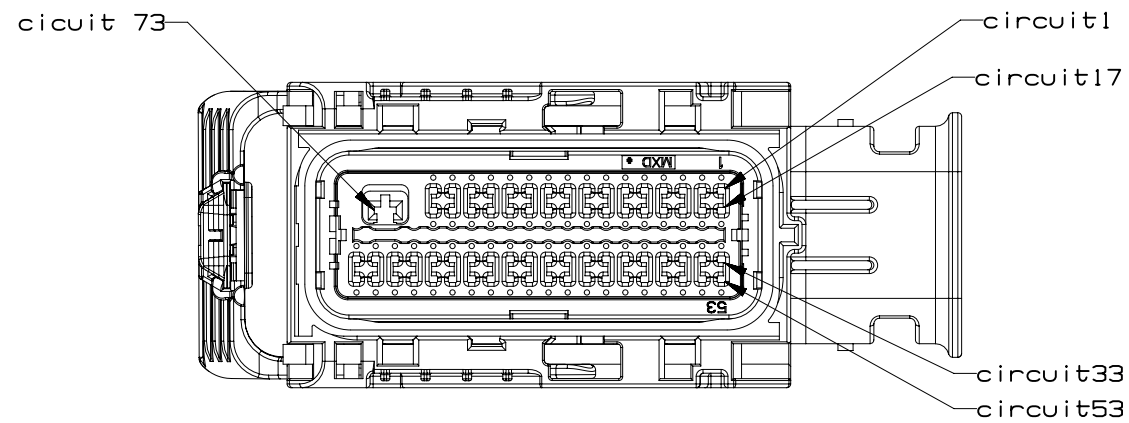


PAGE TITLE
KEY ID REF - WIRE DRESS OPTION 9

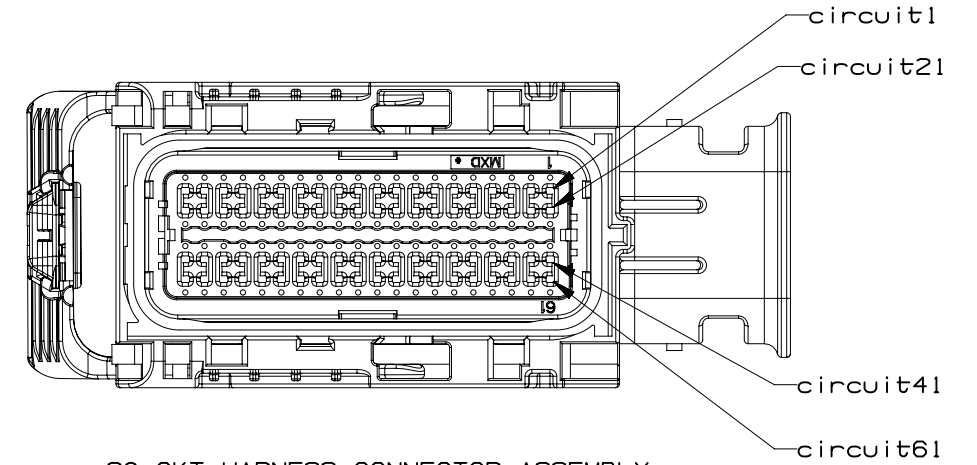
DRAWING NUMBER
12642695

| DWG STATUS | | |
|------------|-----|-----|
| ST | REV | PD1 |
| R | 002 | |

PAGE NUMBER
12 OF 21

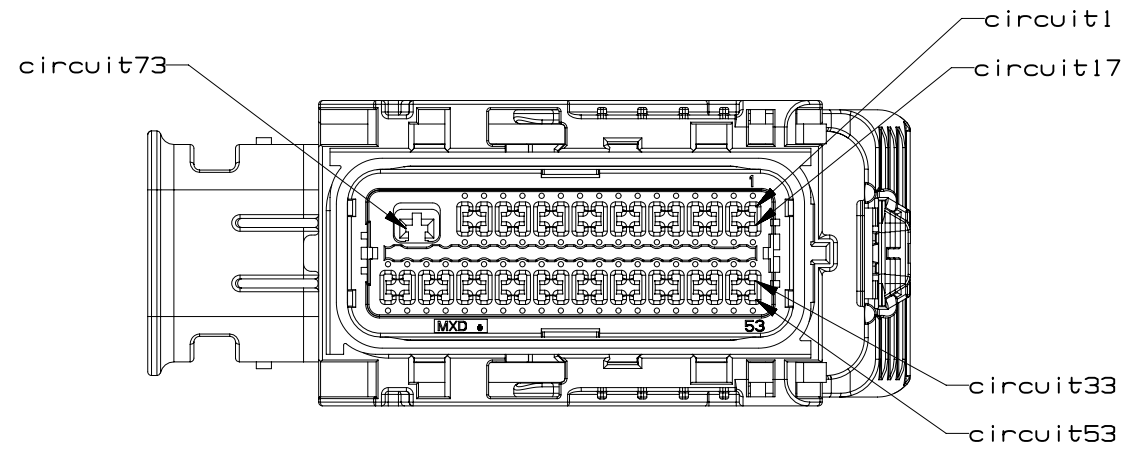


73 CKT HARNESS CONNECTOR ASSEMBLY
WIRE DRESS OPTION 0

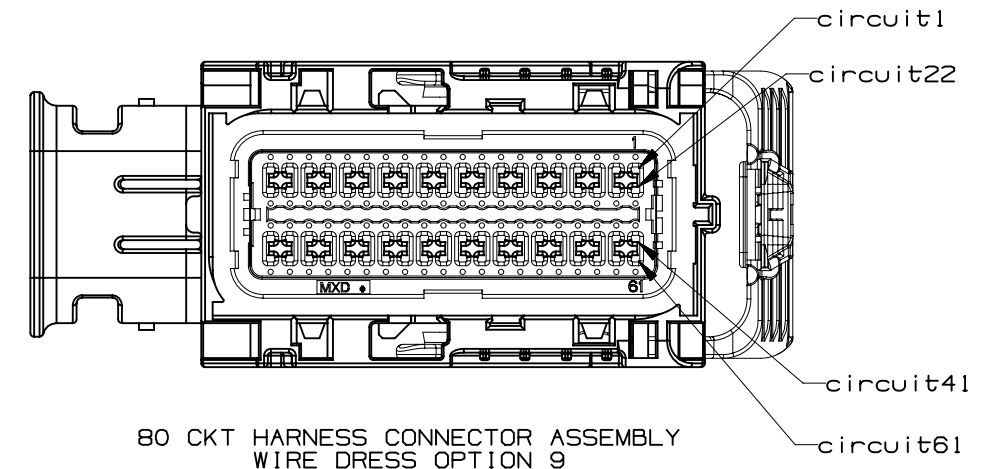


80 CKT HARNESS CONNECTOR ASSEMBLY
WIRE DRESS OPTION 0

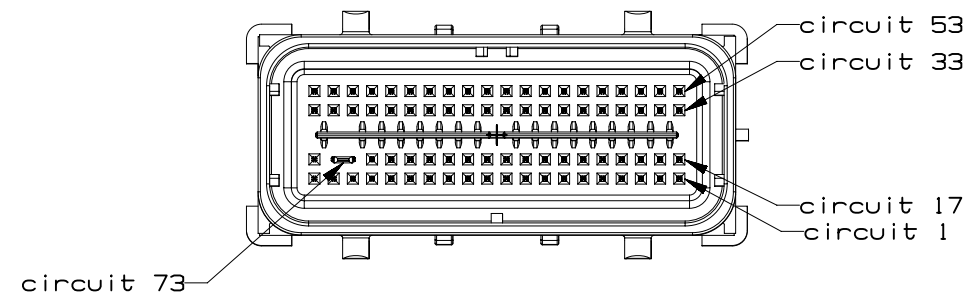
INTERFACE SIDE SHOWN ON ALL VIEWS



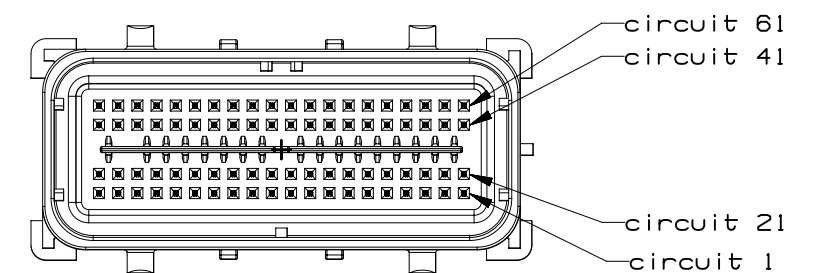
73 CKT HARNESS CONNECTOR ASSEMBLY
WIRE DRESS OPTION 9



80 CKT HARNESS CONNECTOR ASSEMBLY
WIRE DRESS OPTION 9

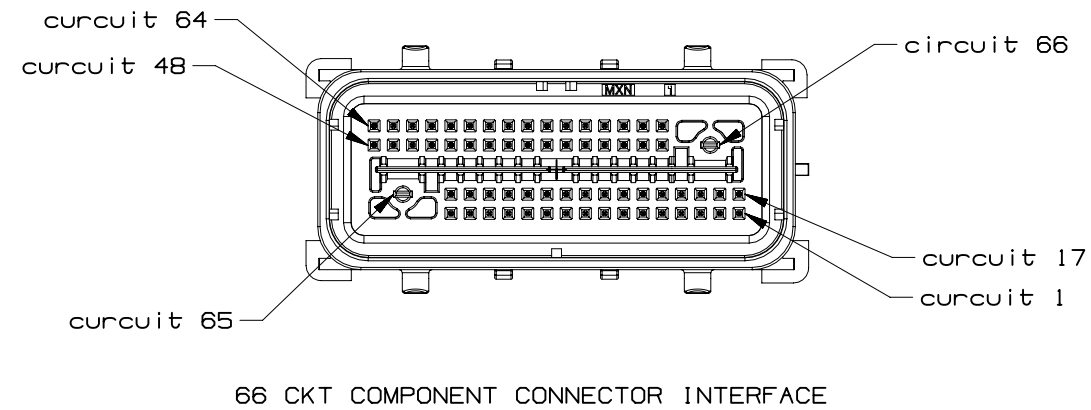
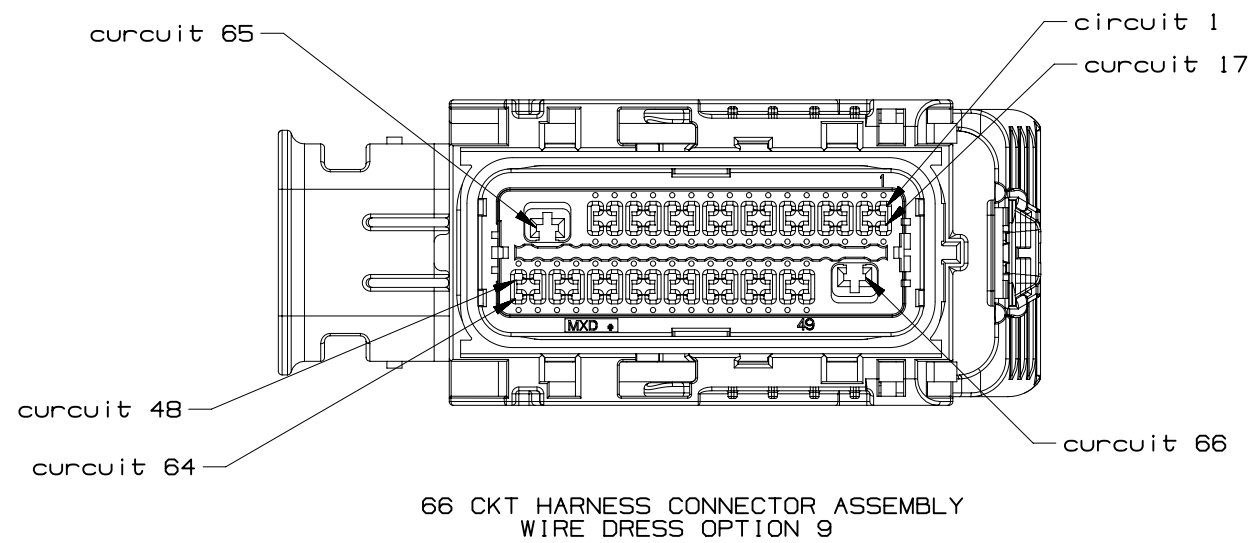
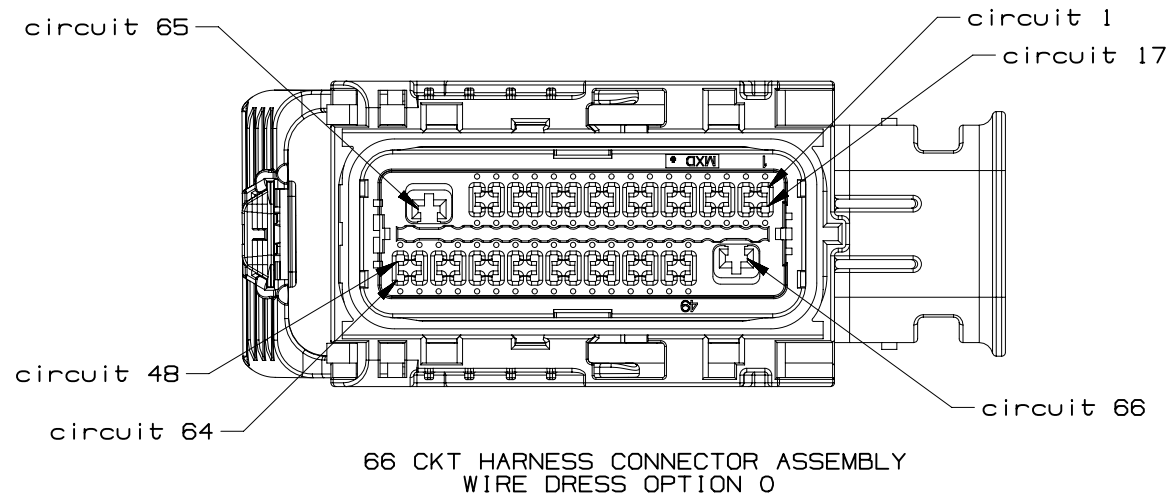



73 CKT COMPONENT CONNECTOR INTERFACE

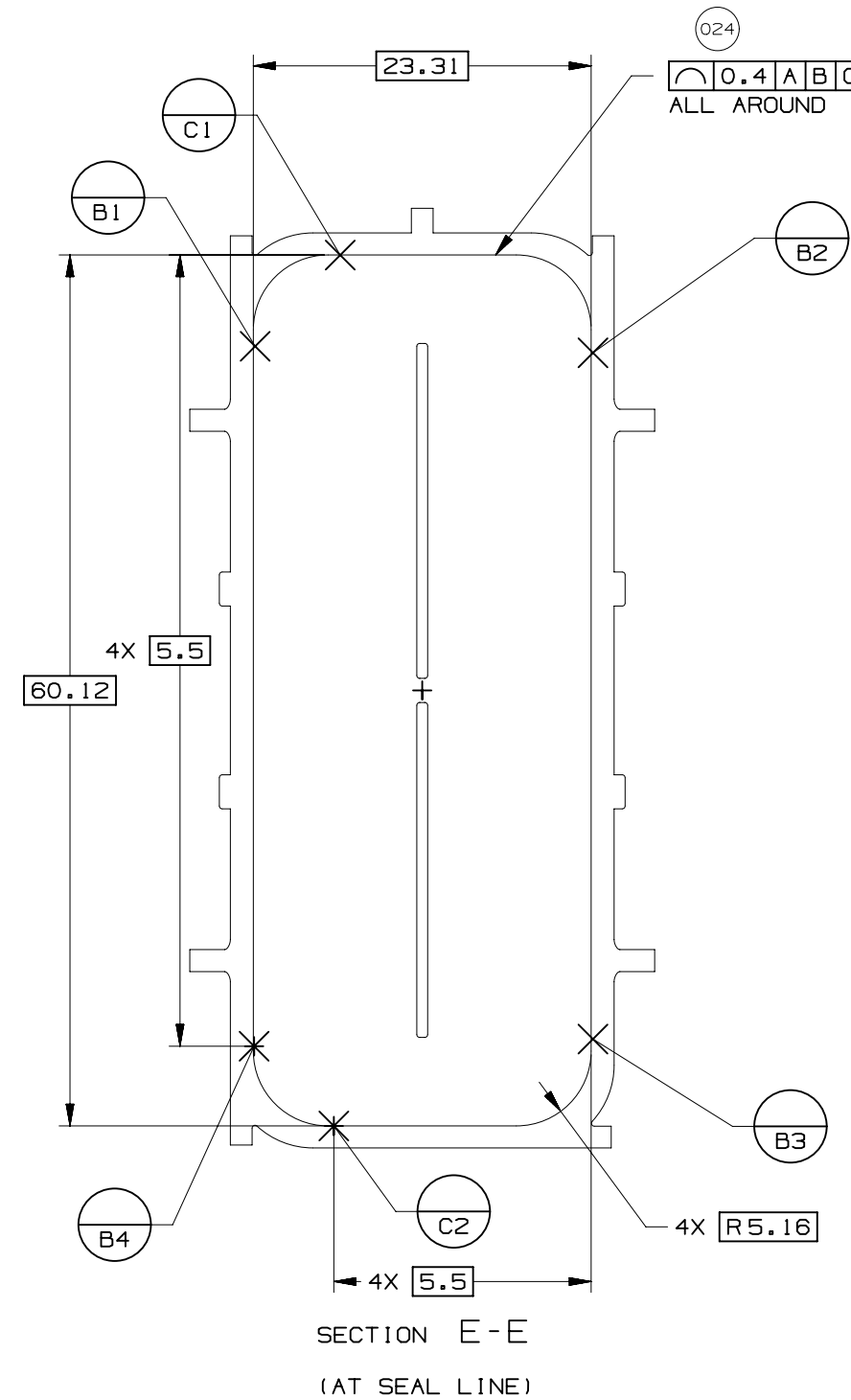
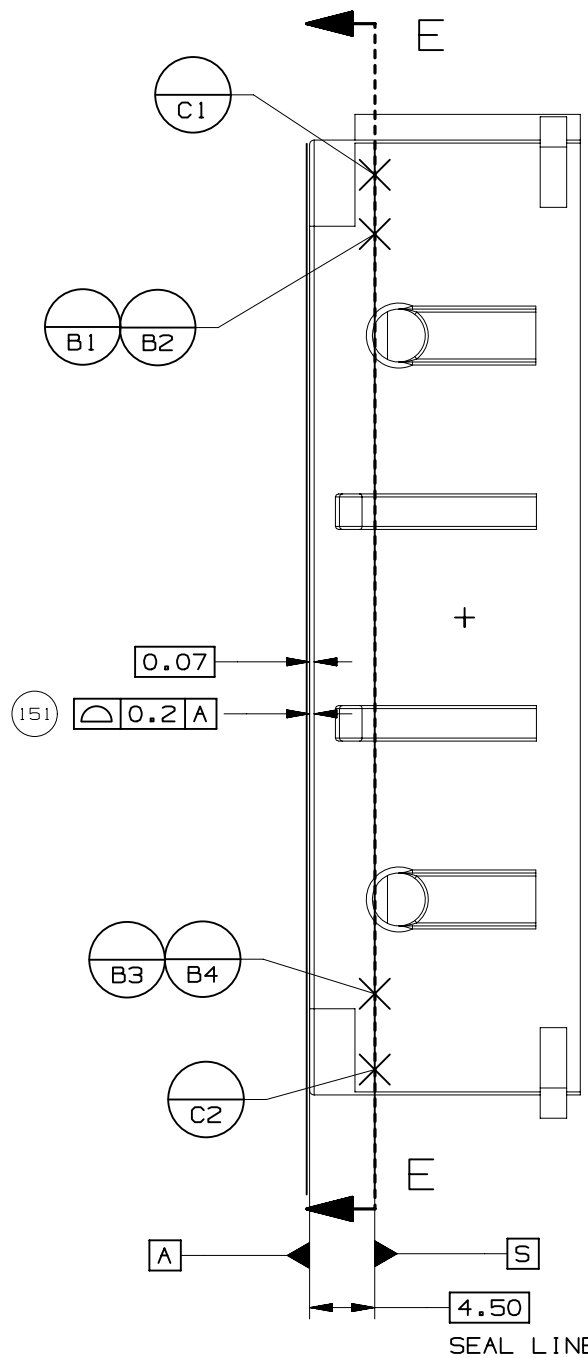
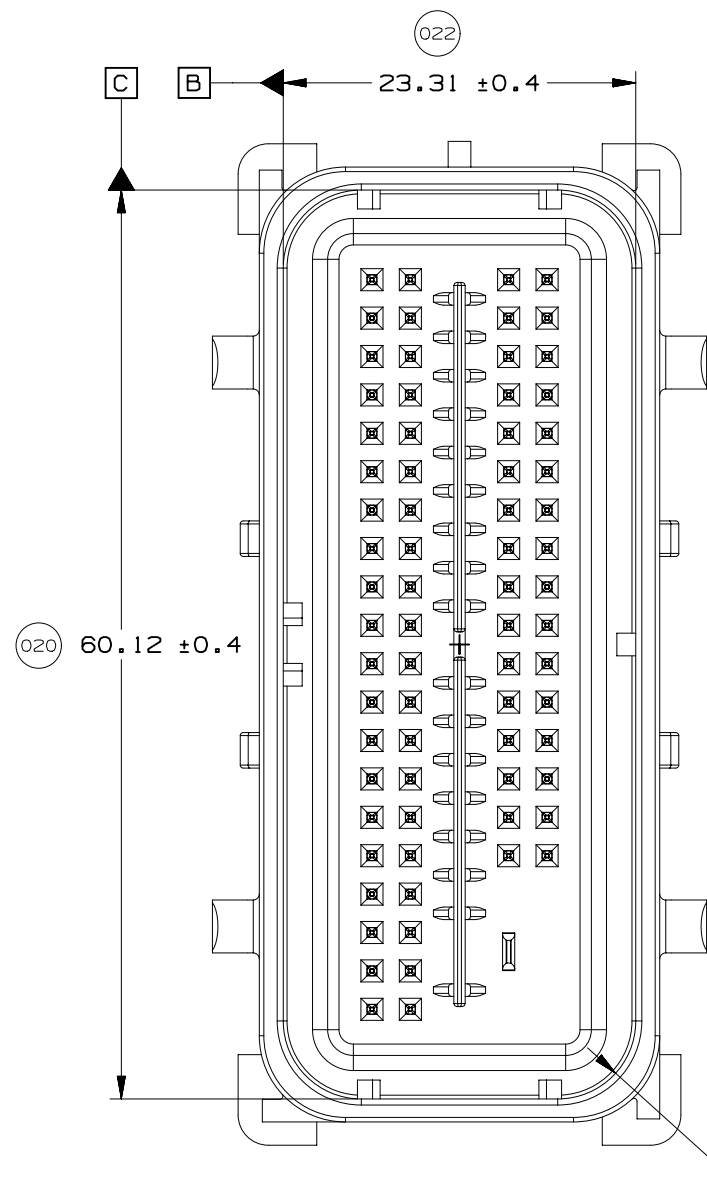
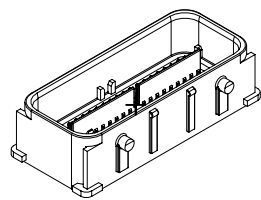


80 CKT COMPONENT CONNECTOR INTERFACE





| | | | | | | | |
|---|------------------------|----------------|------------|----|-----|-------------|----------|
|  | PAGE TITLE | DRAWING NUMBER | DWG STATUS | | | PAGE NUMBER | |
| | CIRCUIT CONFIGURATIONS | | 12642695 | ST | REV | PDI | 14 of 21 |
| | | | | R | 002 | | |



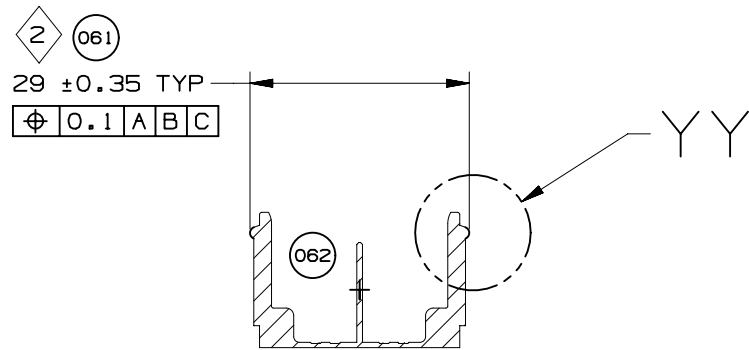
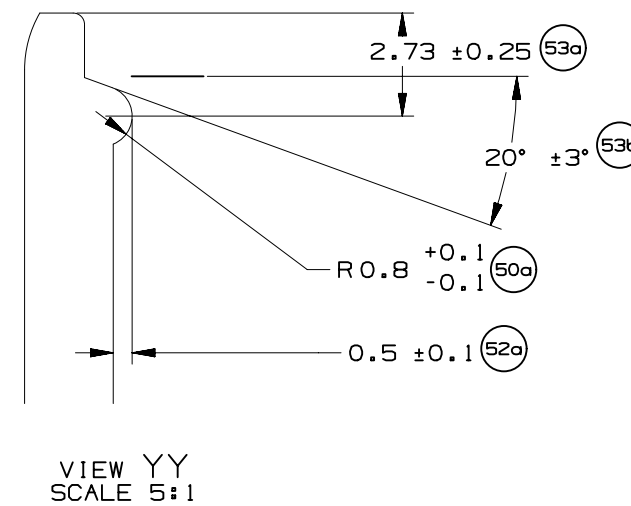
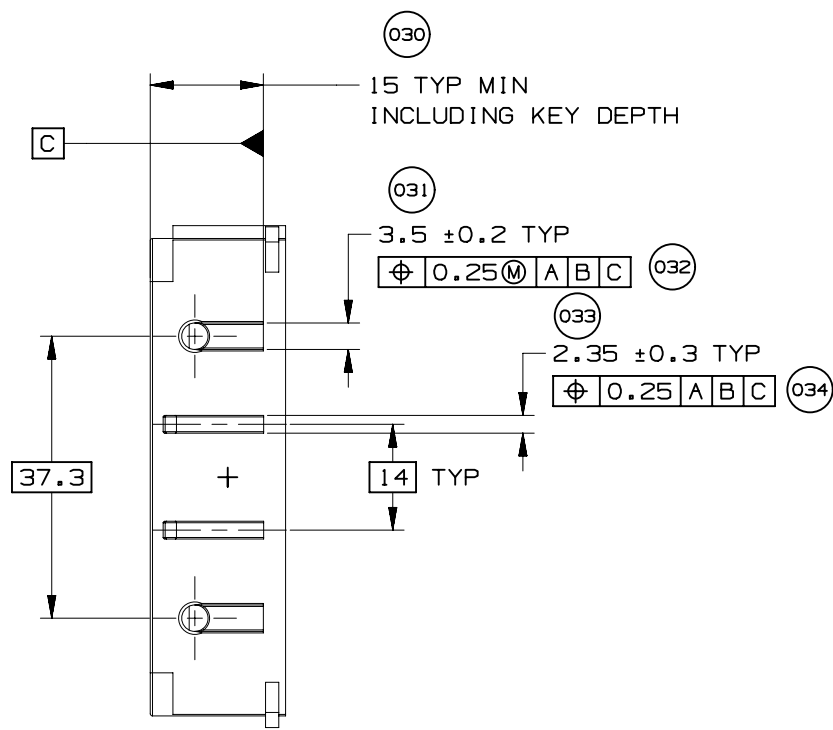
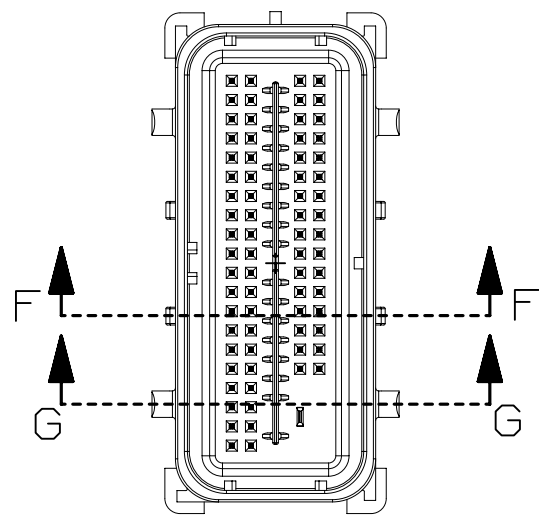
UNLESS SPECIFIED, TOLERANCE OF THE COMPONENT CONNECTOR INTERFACE TO BE $\sqrt[0.13]{A B C}$



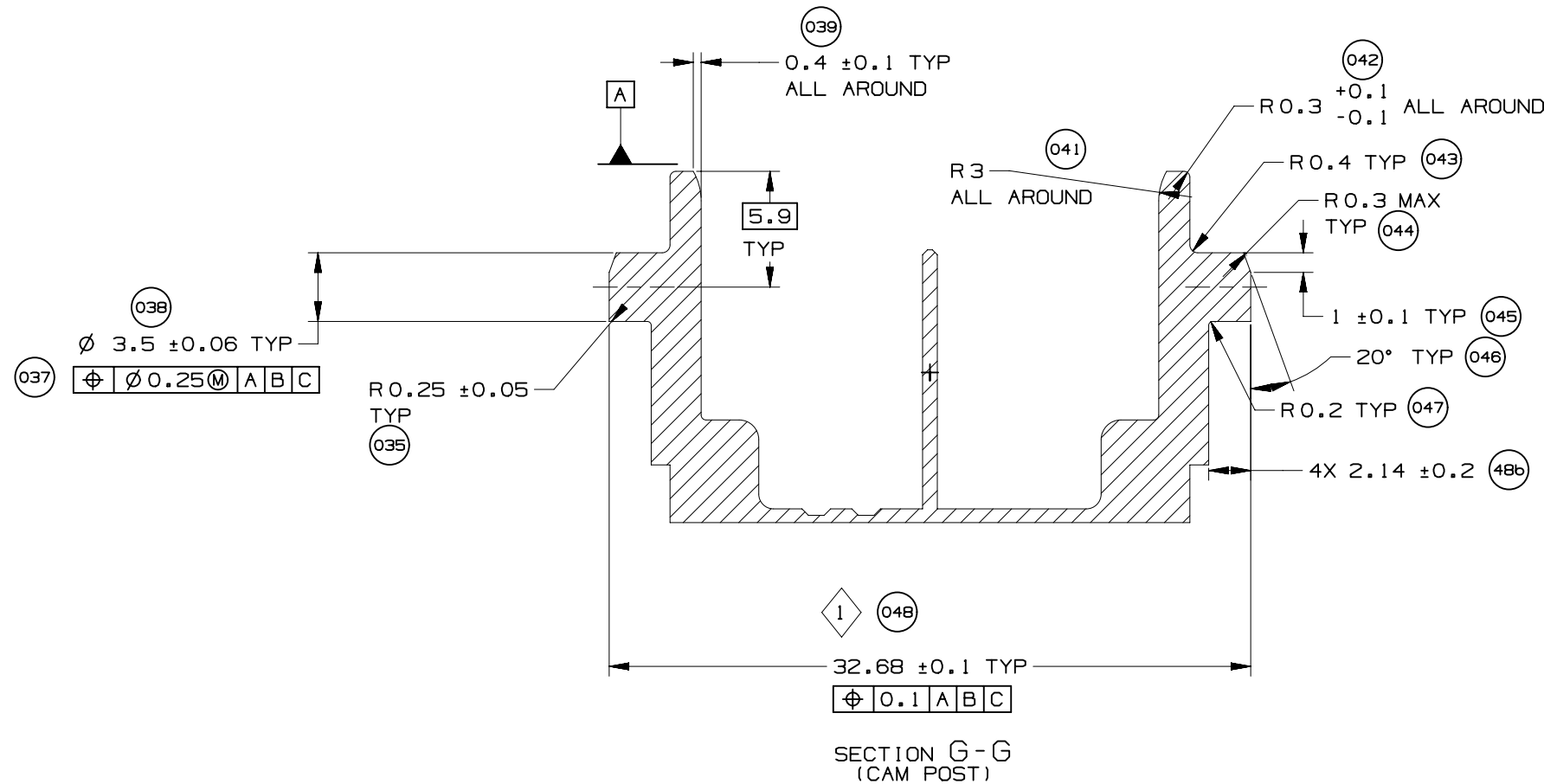
PAGE TITLE
COMPONENT CONNECTOR INTERFACE

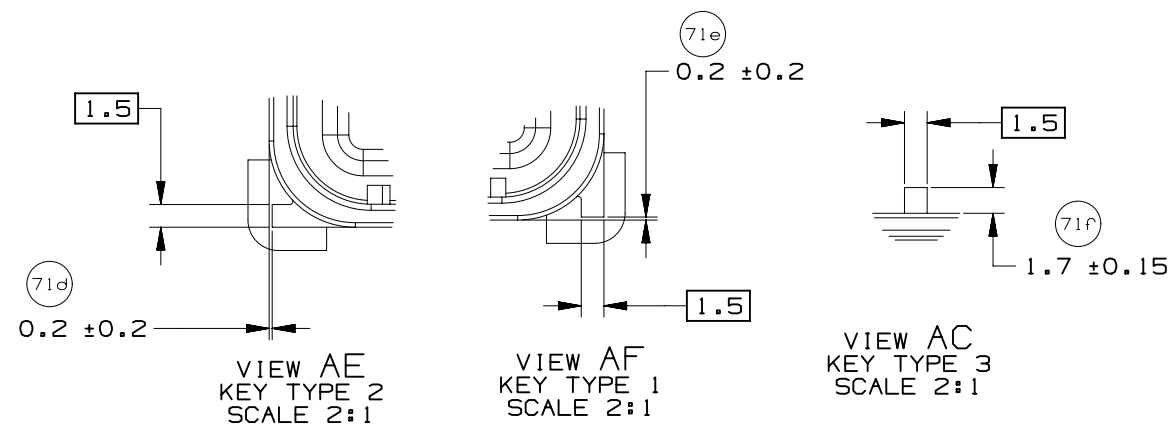
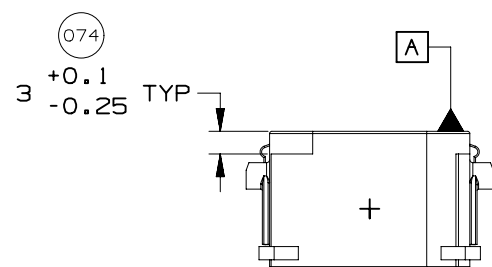
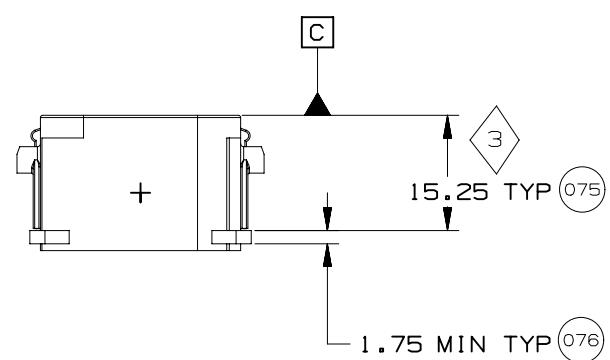
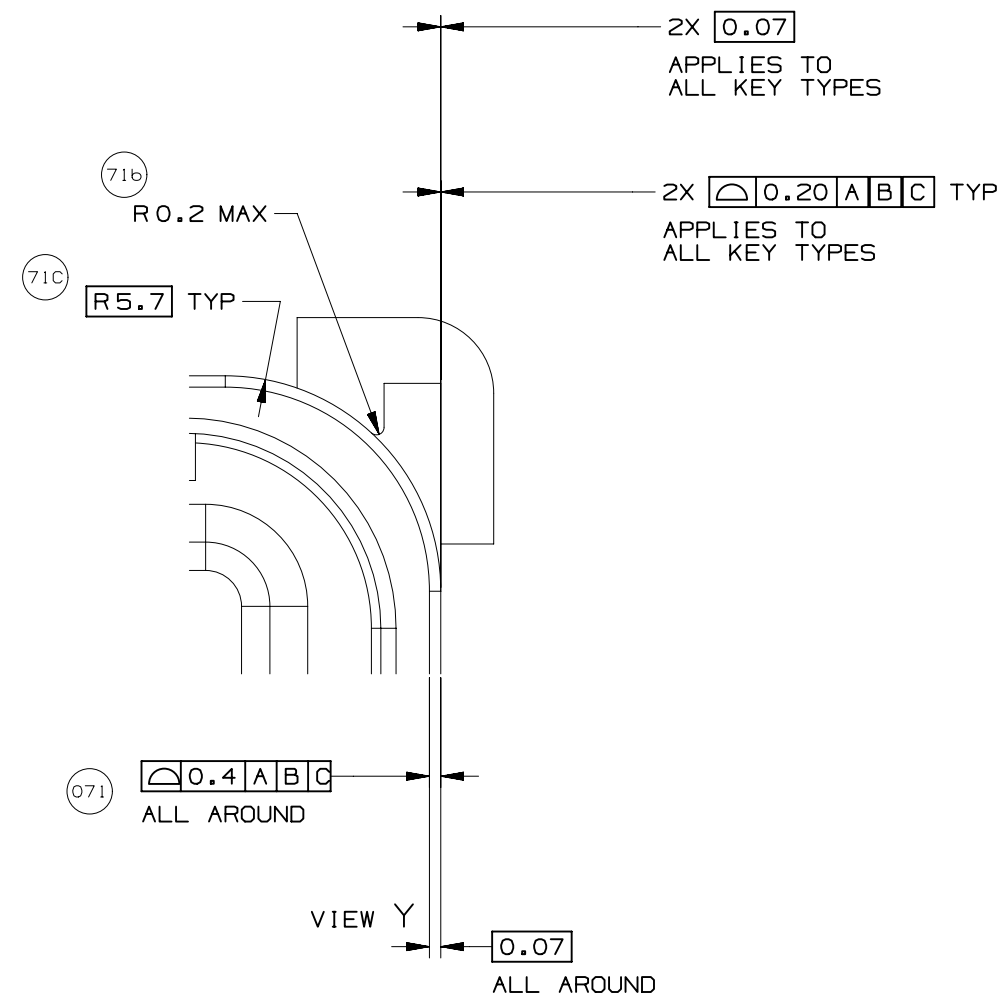
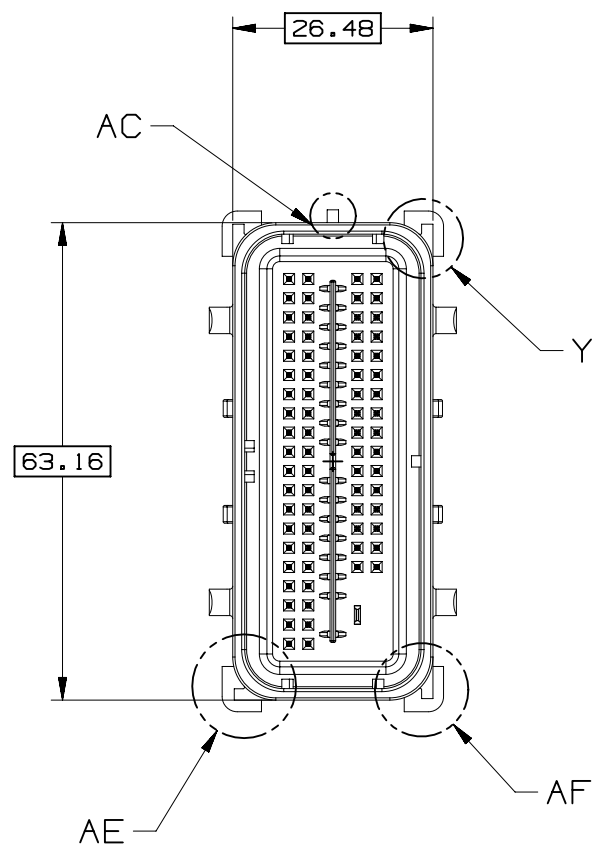
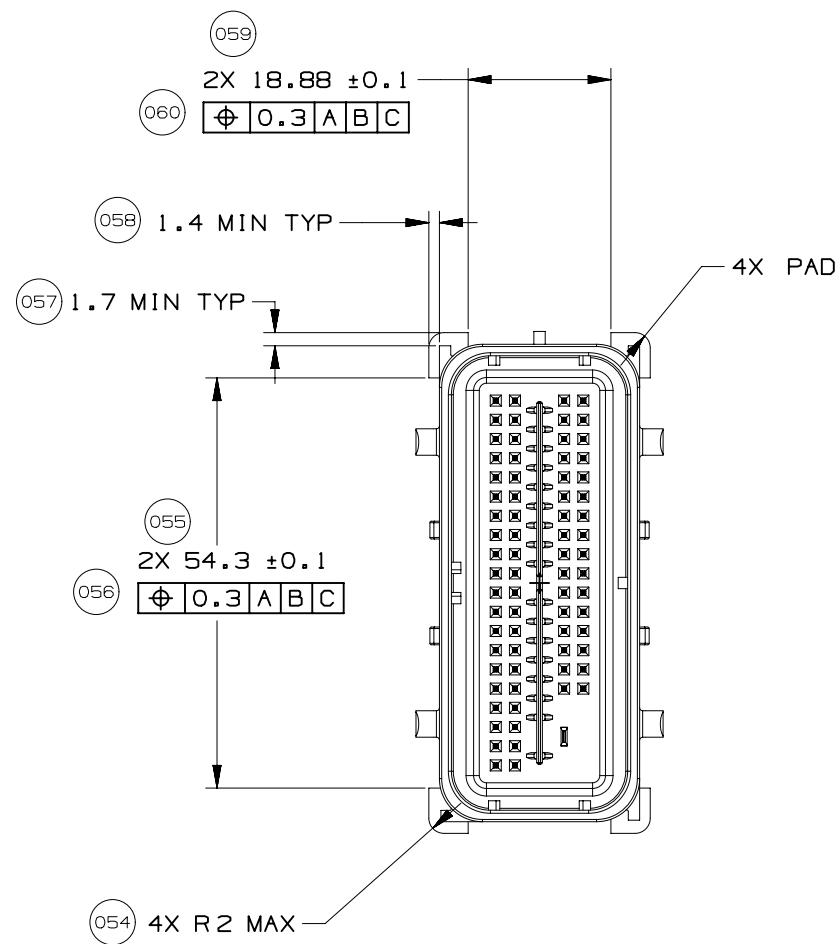
DRAWING NUMBER
12642695

| DWG STATUS | | | PAGE NUMBER |
|------------|-----|-----|-------------|
| ST | REV | PD1 | |
| R | 002 | | 15 OF 21 |



SECTION F-F

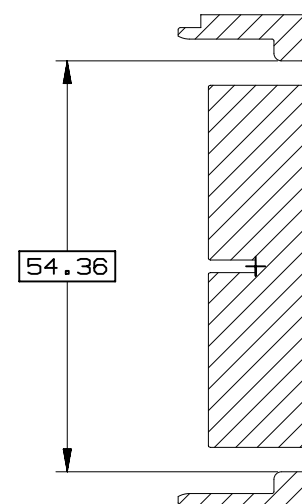
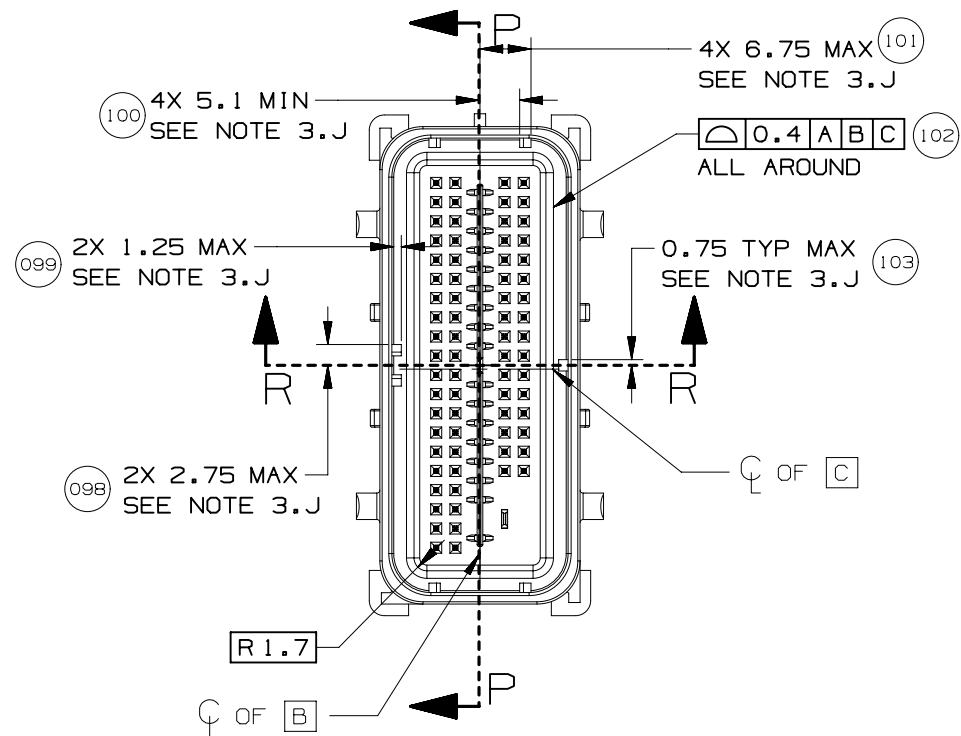




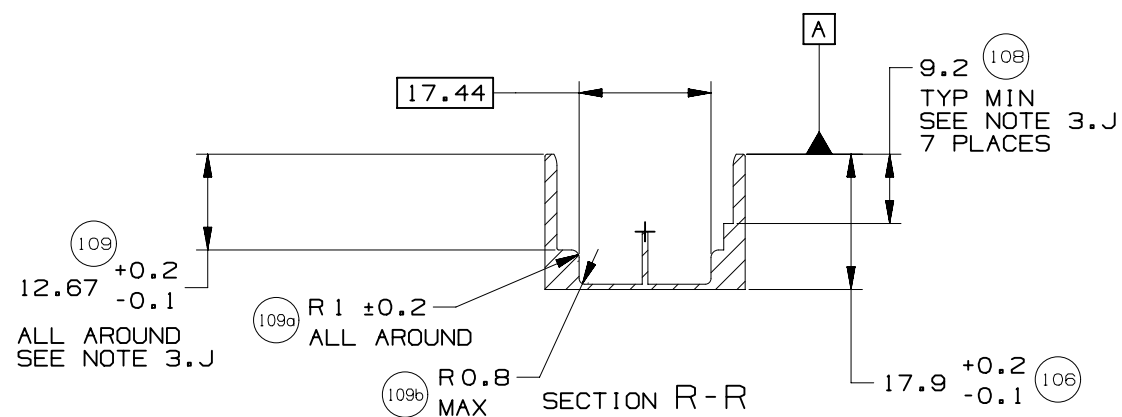
PAGE TITLE
 COMPONENT CONNECTOR INTERFACE

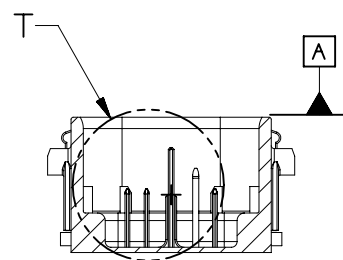
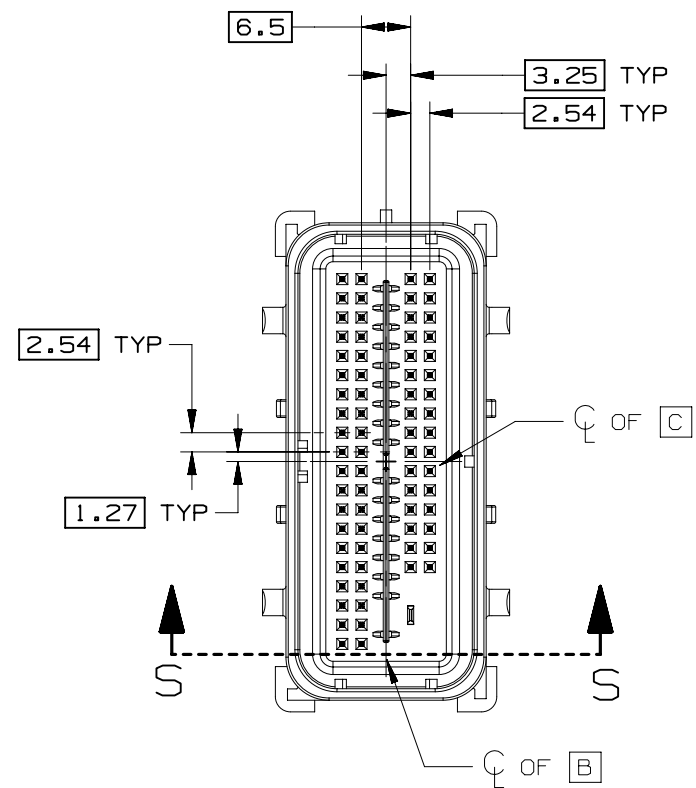
DRAWING NUMBER
 12642695

| DWG STATUS | | | PAGE NUMBER | |
|------------|-----|-----|-------------|-------|
| ST | REV | PD1 | | |
| R | 002 | | 17 | OF 21 |

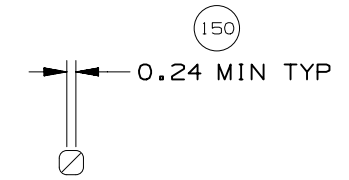
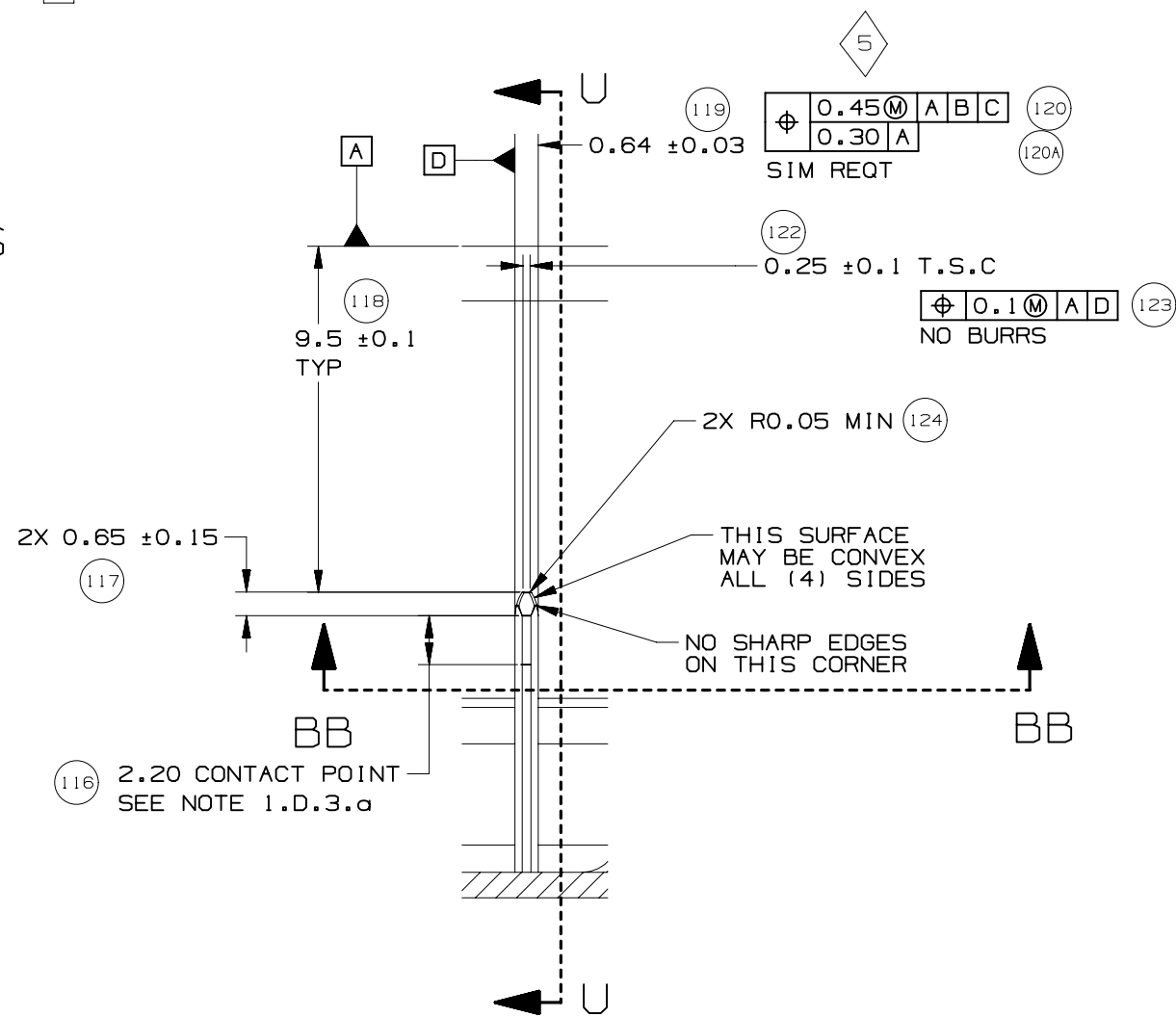


SECTION P-P

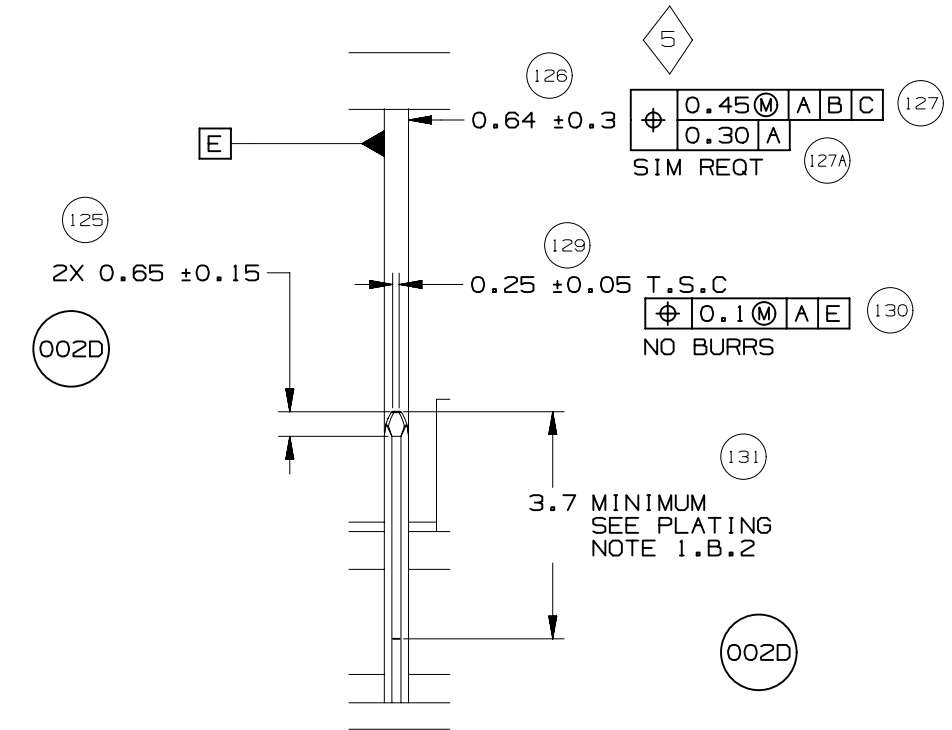




SECTION S-S



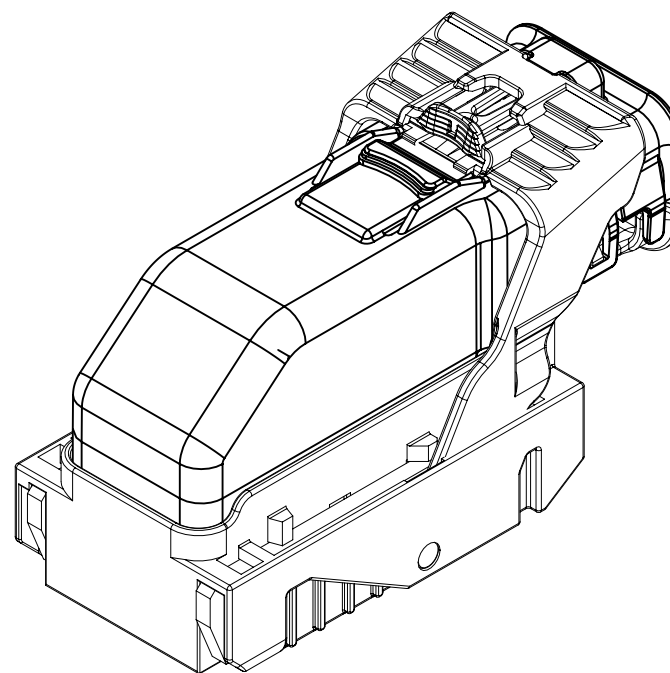
SECTION BB-BB




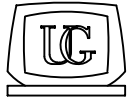
SECTION U-U



| INDEX | |
|---|------|
| PAGE TITLE | PAGE |
| TITLE BLOCK | 1 |
| REVISION BLOCK | 2 |
| PART BLOCK | 3 |
| KPC BLOCK | 4 |
| COMPONENT TABLE | 5 |
| NOTES | 6 |
| NOTES | 7 |
| WIRE DRESS PACKAGING DIMENSIONS | 8 |
| LOCATION AND PACKAGING DIMENSIONS REFERENCING INTERFACE DATUMS B & C | 9 |
| LOCATION AND PACKAGING DIMENSIONS REFERENCING INTERFACE DATUM A | 10 |
| KEY ID REF - WIRE DRESS OPTION 0 | 11 |
| KEY ID REF - WIRE DRESS OPTION 9 | 12 |
| CIRCUIT CONFIGURATIONS | 13 |
| CIRCUIT CONFIGURATIONS | 14 |
| COMPONENT CONNECTOR INTERFACE | 15 |
| COMPONENT CONNECTOR INTERFACE | 16 |
| COMPONENT CONNECTOR INTERFACE | 17 |
| COMPONENT CONNECTOR INTERFACE | 18 |
| COMPONENT CONNECTOR INTERFACE | 19 |
| COMPONENT CONNECTOR INTERFACE | 20 |
| COMPONENT CONNECTOR INTERFACE | 21 |
| ADDITIONAL COMPONENTS REQUIRED | 22 |




ISO VIEW

| | | | | |
|---|--|---|--|-------------|
|  | UNLESS OTHERWISE SPECIFIED: THIS DOCUMENT IS IN ACCORDANCE WITH ASME Y14.5M-1994 AS AMMENDED BY THE GM GLOBAL DIMENSIONING AND TOLERANCING ADDENDUM-1997. ALL GEOMETRIC TOLERANCES AND RELATED DATUMS APPLY RFS. RULE #1 (PERFECT FORM AT MMC) DOES NOT APPLY WHEN A RELATIONSHIP BETWEEN FEATURES IS ESTABLISHED BY ORIENTATION OR LOCATION TOLERANCES. SEPARATE POSITION CALLOUTS MAY BE GAGED SEPARATELY REGARDLESS OF DATUM REFERENCES. | | | DATE |
| |  CHANGE RESTRICTED NO MANUAL CHANGES | REFERENCE 12H (MOLEX AUTOMOTIVE) | DRAFTER APVD1 APVD2 APVD3 APVD4 APVD5 | 05JN15 |
| DO NOT SCALE | | DRAWING NAME | | |
| METRIC DIMENSIONS SHOWN IN MILLIMETERS UNLESS OTHERWISE SPECIFIED | | HARNESS CONN ASM-SEALED 52/66/73/80 CKTS, MX123 | | |
| DRAWING NUMBER | | DWG STATUS | | PAGE NUMBER |
| 12672833 | | ST | REV | PD1 |
| | | R | 001 | |
| | | | | 1 OF 22 |

| PAGE | DWG STATUS | | | | | REVISION HISTORY | AUTH | DR | CK | ENG |
|------|------------|----|-----|-----|-----|---------------------------------|--------|-----|----|-----|
| | DATE | ST | REV | CHG | PDI | | | | | |
| | 05JN15 | R | 001 | | | RELEASED TO PRODUCTION AT DLS A | CRMRJE | DFK | | |

| PAGE | DWG STATUS | | | | | REVISION HISTORY | AUTH | DR | CK | ENG |
|------|------------|----|-----|-----|-----|------------------|------|----|----|-----|
| | DATE | ST | REV | CHG | PDI | | | | | |
| | | | | | | | | | | |

| | | | | | | | |
|---|----------------|----------------|------------|----|-----|-------------|---------|
|  | PAGE TITLE | DRAWING NUMBER | DWG STATUS | | | PAGE NUMBER | |
| | REVISION BLOCK | | 12672833 | ST | REV | PDI | 2 OF 22 |
| | | | | R | 001 | | |

KEY PRODUCT CHARACTERISTICS
(IN ACCORDANCE WITH QN 1805 OR ON 1050)



SAFETY/COMPLIANCE

TOTAL ON
DRAWING

4



FIT/FUNCTION

LAST NO.
USED

4

| NO | TYPE | DESCRIPTION | RATIONALE | PAGE/ZONE |
|----|------|---------------------------------|-------------------------------------|-----------|
| 1 | F/F | 32.68 | IMPROVE CONNECTOR SYSTEM MATING | 16 |
| 2 | F/F | 29.00 | INSURE PROPER RELEASE OF LEVER | 16 |
| 3 | F/F | 15.25 | INSURE FINAL MATE POSITION | 17 |
| 4 | F/F | POSITIONAL TOLERANCE (2 PLACES) | INSURE CONNECTOR SYSTEM MATEABILITY | 20 |



PAGE TITLE
KPC BLOCK

DRAWING NUMBER

12672833

DWG STATUS

| | | |
|----|-----|-----|
| ST | REV | PDI |
|----|-----|-----|

| | | |
|---|-----|--|
| R | 001 | |
|---|-----|--|

PAGE NUMBER

4 OF 22

| LINE | MFG. | MFG. P/N | GM P/N | EFFECTIVE DATE | APPLICABLE COMPONENTS | KEY OPTION | WIRE DRESS OPTION | KEY CONFIG. | COLOR | STATUS |
|------|--------|--------------|----------|----------------|--|------------|-------------------|-------------|---------|------------|
| | | | | | DESCRIPTION | | | | | |
| - | | | | | | | | | | |
| 1 | MOLEX | 34565-0003 | 12582676 | 02JN03 | MX123 DRESS COVER 52/66/73/80 CKT | N/A | N/A | N/A | BLACK | AVAILABLE |
| 2 | MOLEX | 160094-0001 | 12672852 | 01SP13 | MX123 HRNS CONN ASSY 52 CKT | A | 0 | 1458 | BLACK | AVAILABLE |
| 3 | MOLEX | 160094-0003 | 12672854 | 01SP13 | MX123 HRNS CONN ASSY 52 CKT | C | 0 | 2467 | BLUE | AVAILABLE |
| 4 | MOLEX | 160094-0013 | 12672853 | 01SP13 | MX123 HRNS CONN ASSY 52 CKT | A | 9 | 1458 | BLACK | AVAILABLE |
| 5 | MOLEX | 160094-0015 | 12672855 | 01SP13 | MX123 HRNS CONN ASSY 52 CKT | C | 9 | 2467 | BLUE | AVAILABLE |
| 6 | MOLEX | 34822-0013 | 12672856 | 01SP13 | MX123 HRNS CONN ASSY 66 CKT | A | 0 | 1458 | BLACK | AVAILABLE |
| 7 | MOLEX | 34822-0033 | 12672858 | 01SP13 | MX123 HRNS CONN ASSY 66 CKT | C | 0 | 2467 | BLUE | AVAILABLE |
| 8 | MOLEX | 34822-0023 | 12672857 | 01SP13 | MX123 HRNS CONN ASSY 66 CKT | A | 9 | 1458 | BLACK | AVAILABLE |
| 9 | MOLEX | 34822-0043 | 12672859 | 01SP13 | MX123 HRNS CONN ASSY 66 CKT | C | 9 | 2467 | BLUE | AVAILABLE |
| 10 | MOLEX | 34566-0103 | 12672860 | 11JN04 | MX123 HRNS CONN ASSY 73 CKT | A | 0 | 1458 | BLACK | AVAILABLE |
| 11 | MOLEX | 34566-0203 | 12672862 | 11JN04 | MX123 HRNS CONN ASSY 73 CKT | B | 0 | 1468 | ST GRAY | AVAILABLE |
| 12 | MOLEX | 34566-0303 | 12672864 | 09AP08 | MX123 HRNS CONN ASSY 73 CKT | C | 0 | 2467 | BLUE | AVAILABLE |
| 13 | MOLEX | 34566-0603 | 12672866 | 05DC14 | MX123 HRNS CONN ASSY 73 CKT | F | 0 | 1357 | NATURAL | AVAILABLE |
| 14 | MOLEX | 34566-1303 | 12672861 | 11JN04 | MX123 HRNS CONN ASSY 73 CKT | A | 9 | 1458 | BLACK | AVAILABLE |
| 15 | MOLEX | 34566-1403 | 12672863 | 11JN04 | MX123 HRNS CONN ASSY 73 CKT | B | 9 | 1468 | ST GRAY | AVAILABLE |
| 16 | MOLEX | 34566-1503 | 12672865 | 09AP08 | MX123 HRNS CONN ASSY 73 CKT | C | 9 | 2467 | BLUE | AVAILABLE |
| 17 | MOLEX | 34566-1803 | 12672867 | 05DC14 | MX123 HRNS CONN ASSY 73 CKT | F | 9 | 1357 | NATURAL | AVAILABLE |
| 18 | MOLEX | 34566-0703 | 12672872 | 09AP08 | MX123 HRNS CONN ASSY 80 CKT | G | 0 | 1358 | BLUE | AVAILABLE |
| 19 | MOLEX | 34566-0803 | 12672870 | 11JN04 | MX123 HRNS CONN ASSY 80 CKT | H | 0 | 2458 | ST GRAY | AVAILABLE |
| 20 | MOLEX | 34566-0903 | 12672868 | T.B.D | MX123 HRNS CONN ASSY 80 CKT | J | 0 | 2457 | BLACK | NOT ACTIVE |
| 21 | MOLEX | 34566-1903 | 12672873 | 09AP08 | MX123 HRNS CONN ASSY 80 CKT | G | 9 | 1358 | BLUE | AVAILABLE |
| 22 | MOLEX | 34566-2003 | 12672871 | 11JN04 | MX123 HRNS CONN ASSY 80 CKT | H | 9 | 2458 | ST GRAY | AVAILABLE |
| 23 | MOLEX | 34566-2103 | 12672869 | T.B.D | MX123 HRNS CONN ASSY 80 CKT | J | 9 | 2457 | BLACK | NOT ACTIVE |
| 24 | MOLEX | 34736-0028 | 12672851 | 01AU10 | MX64 RCPT TERM Ag 0.5mm/0.75mm ISO GAGE B (RIGHT PAYOFF) | N/A | N/A | N/A | N/A | AVAILABLE |
| 25 | MOLEX | 34736-0026 | 12672850 | 01AU10 | MX64 RCPT TERM Ag 0.35mm ISO GAGE B (RIGHT PAYOFF) | N/A | N/A | N/A | N/A | AVAILABLE |
| 26 | MOLEX | 34586-0001 | 12674820 | 11JN04 | MX123 0.64mm GROMMET PLUG | N/A | N/A | N/A | NATURAL | AVAILABLE |
| 27 | YAZAKI | 7116-4150-02 | 12588066 | 02JN03 | 2.8mm YESC SEALED FEMALE TERMINAL TIN 0.35mm2-0.50mm2 | N/A | N/A | N/A | N/A | NOT ACTIVE |
| 28 | YAZAKI | 7116-4151-02 | 12588067 | 02JN03 | 2.8mm YESC SEALED FEMALE TERMINAL TIN 0.75mm2-1.0mm2 | N/A | N/A | N/A | N/A | NOT ACTIVE |
| 29 | YAZAKI | 7116-4152-02 | 12582685 | 02JN03 | 2.8mm YESC SEALED FEMALE TERMINAL TIN 1.5mm2-2.5mm2 | N/A | N/A | N/A | N/A | AVAILABLE |
| 30 | YAZAKI | 7158-3111-60 | 12588068 | 02JN03 | 2.8mm CABLE SEAL (wire O.D. range 1.2mm-1.9mm) | N/A | N/A | N/A | GREEN | NOT ACTIVE |
| 31 | YAZAKI | 7158-3112-70 | 12588069 | 02JN03 | 2.8mm CABLE SEAL (wire O.D. range 1.8mm-2.3mm) | N/A | N/A | N/A | YELLOW | NOT ACTIVE |
| 32 | YAZAKI | 7158-3113-40 | 12582686 | 02JN03 | 2.8mm CABLE SEAL (wire O.D. range 2.1mm-3.0mm) | N/A | N/A | N/A | WHITE | AVAILABLE |
| 33 | YAZAKI | 7158-3114-90 | 12674821 | 02JN03 | 2.8mm YESC CAVITY PLUG | N/A | N/A | N/A | BLUE | AVAILABLE |
| 34 | MOLEX | 63825-8400 | N/A | 02JN03 | MX64 TERM HAND CRIMP TOOL | N/A | N/A | N/A | N/A | AVAILABLE |
| 35 | MOLEX | 63813-1400 | XX019826 | 02JN03 | MX64 TERM SERVICE TOOL | N/A | N/A | N/A | N/A | AVAILABLE |
| 36 | MOLEX | 63902-5300 | N/A | 02JN03 | MX64 CRIMP APPLICATOR with TOOL KIT 0.5/0.75mm2 PAYOFF DIRECTION D (left payoff) (contact Molex for payoff detail) | N/A | N/A | N/A | N/A | AVAILABLE |
| 37 | MOLEX | 63902-5370 | N/A | 02JN03 | MX64 APPLICATOR TOOL KIT 0.5/0.75mm2 | N/A | N/A | N/A | N/A | AVAILABLE |
| 38 | MOLEX | 63902-5100 | N/A | 02JN03 | MX64 CRIMP APPLICATOR with TOOL KIT 0.35mm2 PAYOFF DIRECTION D (left payoff) (contact Molex for payoff detail) | N/A | N/A | N/A | N/A | AVAILABLE |
| 39 | MOLEX | 63902-5170 | N/A | 02JN03 | MX64 APPLICATOR TOOL KIT 0.35mm2 | N/A | N/A | N/A | N/A | AVAILABLE |
| 40 | SPX | J35616-64 | T.B.D. | 02JN03 | 0.64mm PROBE TOOL (for rcpt) | N/A | N/A | N/A | N/A | AVAILABLE |
| 41 | SPX | J35616-64A | T.B.D. | 02JN03 | 0.64mm PROBE TOOL WITH EXT (for rcpt) | N/A | N/A | N/A | N/A | AVAILABLE |
| 42 | SPX | J35616-65 | T.B.D. | 02JN03 | 0.64mm PROBE TOOL WITH EXT (for pin) | N/A | N/A | N/A | N/A | AVAILABLE |
| 43 | SPX | J35616-4A | T.B.D. | 02JN03 | 2.8mm PROBE TOOL (for rcpt) | N/A | N/A | N/A | N/A | AVAILABLE |
| 44 | YAZAKI | X39899-J374 | 12094430 | 02JN03 | 2.8mm TERM SERVICE TOOL | N/A | N/A | N/A | N/A | AVAILABLE |
| 45 | TQI | 7000-1006 | N/A | 15JN15 | 52 CKT PASS THROUGH ADAPTERS | N/A | N/A | N/A | BLACK | AVAILABLE |
| 46 | TQI | 7000-1002 | N/A | 15JN15 | 66 CKT PASS THROUGH ADAPTERS | N/A | N/A | N/A | BLACK | AVAILABLE |
| 47 | TQI | 79917-0061 | N/A | 15JN15 | 73 CKT PASS THROUGH ADAPTERS | N/A | N/A | N/A | BLACK | AVAILABLE |
| 48 | TQI | 79917-0066 | N/A | 15JN15 | 80 CKT PASS THROUGH ADAPTERS | N/A | N/A | N/A | BLACK | AVAILABLE |

* - MX123 DRESS COVER 52/66/73/80 CKT MATES TO ANY MX123 HARN CONN ASSY SHOWN ON TABLE ABOVE



PAGE TITLE
COMPONENT TABLE

DRAWING NUMBER

12672833

DWG STATUS

ST REV PDI

R 001

PAGE NUMBER

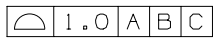
5 OF 22

NOTES: UNLESS OTHERWISE SPECIFIED

1. MATERIAL FOR INTERFACE:


- A. RESIN:
 - 1. 30% G.F. PBT; 20% MAX. (BY WEIGHT) REGRIND.
 - 2. MATING CONNECTOR INTERFACE PART COLOR MUST BE SAME AS MATCHING KEYED HARNESS CONNECTOR ASSEMBLY.
 - 3. MUST BE VALIDATED FOR INDIVIDUAL DEVICE APPLICATION REQUIREMENTS.
- B. 0.64MM PINS:
 - 1. BASE MATERIAL: COPPER ALLOY; CONDUCTIVITY >= 28% IACS AT 20°C; TENSILE STRENGTH >= 635 N/mm²; SURFACE ROUGHNESS R_a 6 MAX.
 - 2. PLATING FINISH: SILVER (Ag). PLATING TO BE 1.9-3.3 μm ELECTRODEPOSITED SEMI-BRIGHT SILVER OVER 1.25-2.25 μm DUCTILE SULPHAMATE NICKEL PER NOTE 1(D).
 - 3. ANTI-TARNISH: SYNTHETIC HYDROCARBON CONTACT SURFACE FINISH OR EQUIVALENT APPLIED WITHOUT VOID TO CONTACT AREA (MIN 3.7mm FROM PIN TIP).
- C. 2.8MM BLADE:
 - 1. BASE MATERIAL: COPPER ALLOY; CONDUCTIVITY >= 28% IACS AT 20°C; TENSILE STRENGTH >= 350 N/mm²; SURFACE ROUGHNESS R_a 6 MAX.
 - 2. PLATING FINISH: TIN. PLATING TO BE 2.5-5.0 μm ELECTRODEPOSITED TIN, MATTE FINISH OVER 1.25-2.5 μm DUCTILE SULPHAMATE NICKEL PER NOTE 1(D).
- D. PLATING REQUIREMENTS:
 - 1. SILVER PLATING
 - a. 99.5% PURE SEMI-BRIGHT WITH NO ORGANIC BRIGHTNERS OR CHROMATES.
 - 2. NICKEL PLATING
 - a. ELECTRODEPOSITED DUCTILE SULFAMATE NICKEL WITH A NON-BRIGHTENED FINISH. NO ORGANIC OR BRIGHTENING AGENTS SHALL BE ALLOWED.
 - b. SHALL ONLY BE USED AS AN UNDERLYING PLATING AND MAY NOT BE USED AS AN ELECTRICAL CONTACT SURFACE PLATING.
 - c. SHALL BE NODULE FREE WHEN VIEWED AT 10X MAGNIFICATION IN MEASURED IN CONTACT SURFACE AREA PLUS 0.5MM PERIMETER AROUND THE CONTACT SURFACE AREA.
 - d. ALL PLATINGS SHALL HAVE A 1.0% MAXIMUM BY WEIGHT IMPURITIES. IMPURITIES ARE DEFINED AS ALL ELEMENTS NOT THE PRIMARY PLATING OR HARDENING AGENT IF APPLICABLE, AS DETERMINED BY WET CHEMICAL ANALYSIS OR AUGER METHOD. NO SINGLE IMPURITY SHALL EXCEED 0.1% MAXIMUM BY WEIGHT.
 - 3. TESTING
 - a. THICKNESS TO BE MEASURED IN CONTACT SURFACE AREA PLUS 0.5MM PERIMETER AROUND THE CONTACT SURFACE AREA AS DESIGNATED IN THE DRAWING. THICKNESS SHALL BE DETERMINED BY METHOD OF X-RAY (XRF).
 - b. PLATING ADHESION SHALL BE TESTED BY A BEND TEST FOR ALL METALS. THE TEST SAMPLE SHALL BE BENT 90 DEGREES TO DETERMINE DEPOSIT ADHESION. TESTING SHALL BE COMPLETED IN ACCORDANCE WITH ASTM SPEC B571.

2. DESIGN - GENERAL:

- A. THIS IS A 100% CAD GENERATED PART. THE CAD MATHEMATICAL DATA IS THE MASTER FOR THIS PART. FOR DIMENSIONAL OR ANY INFORMATION NOT SHOWN ON THIS DRAWING, ANALYZE THE CAD MODEL.
- B. TOLERANCES:
 - 1. LINEAR
 - 0.X ± 0.30
 - 0.XX ± 0.10
 - 0.XXX ± 0.10
 - 2. ANGULAR X° ± 3°
 - 3. 
- C. MINIMUM WALL THICKNESS REQUIRED: 1.3mm.
- D. CORNERS SHOWN AS SHARP TO BE R 0.2 MAX.
- E. LETTERING SHALL BE 0.15 MAX RAISED IN 0.20 MAX RECESS PAD. THIS INCLUDES MATERIAL CODE, RECYCLING CODE, CAVITY ID AND DATE CODE.
- F-1. PARTS MUST BE FREE OF DISCOLORATION, SALT RESIDUE AND OTHER IMPERFECTIONS THAT AFFECT FIT OR FUNCTION.
- F-2. SCRATCHES OR DENTS NOT TO EXCEED 0.013mm IN DEPTH.
- G. FOLLOWING PRODUCTION CODES TO BE PERMANENTLY MARKED & HUMAN READABLE TO A LETTER HEIGHT OF 1.5 ± 0.5MM X 0.3 MAX DEEP
 - 1. MATERIAL #: XXXXX-XXXX
 - 2. DATE CODE: JJYY (JULIAN DAY, LAST DIGIT OF YEAR)
 - 3. INSPECTION MACHINE CODE + SERIAL #: X_XXXXX

3. DESIGN - MANUFACTURING:

- A. DRAFT TO BE WITHIN TOLERANCE.
- B. ALLOWABLE FLASH MAX 0.2 HIGH X MAX 0.13 THICK.
- C. ALLOWABLE PARTING LINE MISMATCH 0.2 MAX.
- D. EJECTOR PINS MARK TO BE FLUSH TO 0.25 MAX DEPRESSED.
- E. ALLOWABLE GATE VESTIGE FLUSH TO 0.25 MAX PROTRUSION.
- F. NO EXTERNAL MOLD RELEASE AGENT ALLOWED DURING MANUFACTURING.
- G. STEEL THAT FORMS THE INDICATED SURFACE MUST BE POLISHED WITH A DIAMOND FINISH (SPI A-2) OVER THE FULL PERIPHERY OF THE TOOL. SURFACE MUST HAVE NO MISMATCH.
- H. ANY PROCESS LUBRICANT REMAINING ON THE TERMINAL MUST NOT VARNISH OR DEGRADE IT'S ELECTRICAL PERFORMANCE UP TO A MAXIMUM CLASS AMBIENT TEMPERATURE PER SAE USCAR-2 FOR 1008 HOURS. PROCESS LUBRICANTS SHOULD BE APPROVED BY THE RESPONSIBLE ENGINEER.
- J. OPTIONAL FEATURES PROVIDED FOR AUTOMATION.
- K. PART MUST BE FREE FROM BURRS AND SHARP EDGES, WHICH MIGHT BE DETRIMENTAL TO SATISFACTORY ASSEMBLY, SAFE HANDLING OR FUNCTION OF PART.
- L. PARTS AS DELIVERED TO ASSEMBLY SHALL BE CLEAN AND FREE OF DEBRIS, RESIDUAL ABRASIVE MATERIAL AND CORROSION PRODUCTS ADVERESLY AFFECTING FUNCTION OR APPEARENCE.
- M. RESTRICTED AND REPORTABLE SUBSTANCES FOR PARTS PER GMW3059.

| | | | | | | | |
|---|------------|----------------|------------|----|-----|-------------|---------|
|  | PAGE TITLE | DRAWING NUMBER | DWG STATUS | | | PAGE NUMBER | |
| | NOTES | | 12672833 | ST | REV | PDI | 6 OF 22 |
| | | | | R | 001 | | |

NOTES: UNLESS OTHERWISE SPECIFIED

4. SYSTEM REQUIREMENTS:

- A. HARNESS CONNECTOR IS COMPATIBLE WITH THE FOLLOWING ISO WIRE SIZE NO'S:
 0.35mm², MEETING GMW15626 - MIN OD OF 1.30MM
 0.50mm², MEETING GMW15626
 0.75mm², MEETING GMW15626 - MAX OD OF 2.06MM

B. CABLE TIE SPECIFICATIONS:

1. CABLE TIE:
 - TENSILE RATING: 220N / (50lbs) MIN
 - TIE LENGTH: 186mm MIN
 - TIE WIDTH: 4.75mm MAX
 - MATERIAL: NYLON
2. INSTALLATION:
 - CABLE TIE TENSION: 190N MIN
3. DRESSED WIRE BUNDLE PACKAGING: SEE FIG. 1

C. WHEN MATED WITH COMPONENT CONNECTOR INTERFACE AND/OR DRESS COVER, HARNESS CONNECTOR SYSTEM CONFORMS TO THE FOLLOWING:

1. SAE/USCAR-2, REV: 3 APRIL, 2001; CLASS 3
2. FIELD CORRELATED LIFE TEST, SAE/USCAR-20, NOV. 2001
3. GMW #3191 AUGUST 22, 2000 (DRAFT); TEMPERATURE CLASS 3, SEALING CLASS 1, VIBRATION CLASS 2
4. RESTRICTED AND REPORTABLE CHEMICALS PER GMW #3059, REV: D AUGUST 2002
5. TPA USER FORCES (FULLY POPULATED WITH TERMINALS)
 - a. REMOVAL FROM LOCK TO PRE-SET: <=120N

D. WIRE SPECIFICATIONS:

1. WIRE SURFACE MUST BE FREE OF SCRATCHES, GROOVES OR DENTS WHERE FUNCTIONAL

5. TERMINAL CURRENT RATINGS:

A. MX64 RCPT TERM

ALL TESTING DONE IN ACCORDANCE WITH USCAR-2 REV5 SECTION 5.3

1. MX64 RCPT TERM Ag 0.50/0.75mm² CRIMPED TO 0.75mm² ISO WIRE AND MATED TO MX123 0.64MM PIN: SEE TABLE BELOW
2. MX64 RCPT TERM Ag 0.35mm² CRIMPED TO 0.35mm² ISO WIRE AND MATED TO MX123 0.64MM PIN: SEE TABLE BELOW

| WIRE | CURRENT RATING | | | |
|---------------------|----------------|-------|-------|-------|
| | 23°C | 85°C | 105°C | 125°C |
| 0.75mm ² | 11.3A | 11.3A | 9.5A | 6.6A |
| 0.50mm ² | 10.0A | 10.0A | 8.3A | 5.7A |
| 0.35mm ² | 8.5A | 8.5A | 7.1A | 5.0A |

B. 2.8MM RCPT TERM

ALL TESTING DONE IN ACCORDANCE WITH MOLEX DVP&R 0279 (TR # 7125)

1. 2.8MM RCPT TERM TIN 2.0mm² CRIMPED TO 2.0mm² ISO WIRE AND MATED TO MX123 2.8MM BLADE: 25.6 AMPS AT 125°C

6. CONTACT MOLEX AUTOMOTIVE FOR AVAILABLE CUSTOM PATTERNS OF CAVITIES OPEN FOR CIRCUITS - SEE GM DRAWING 13507496



PAGE TITLE
NOTES

DRAWING NUMBER

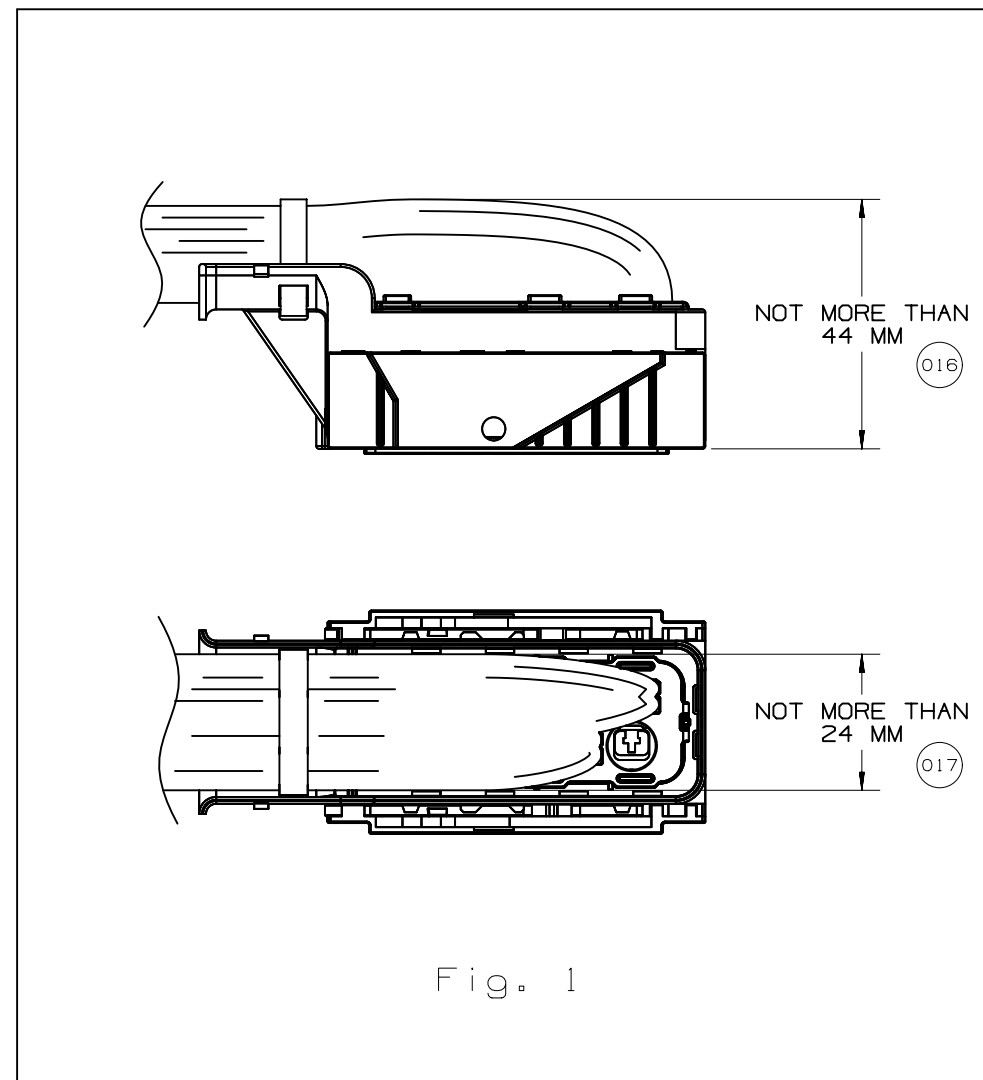
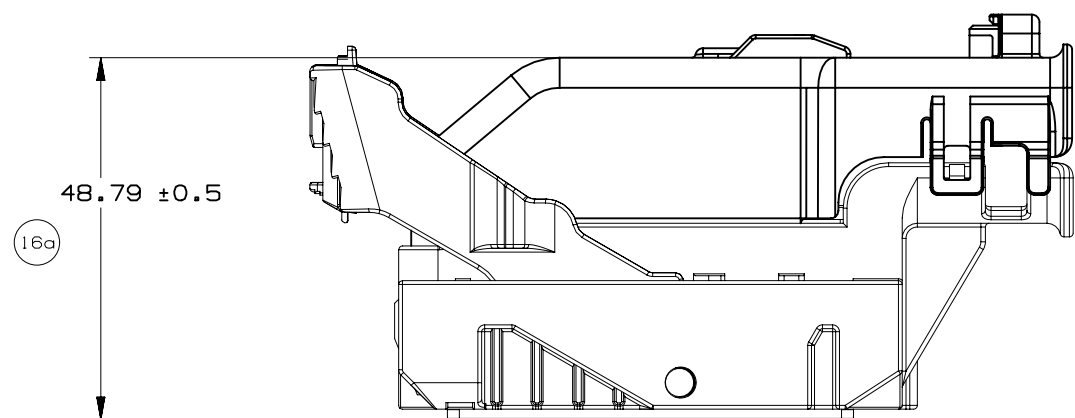
12672833

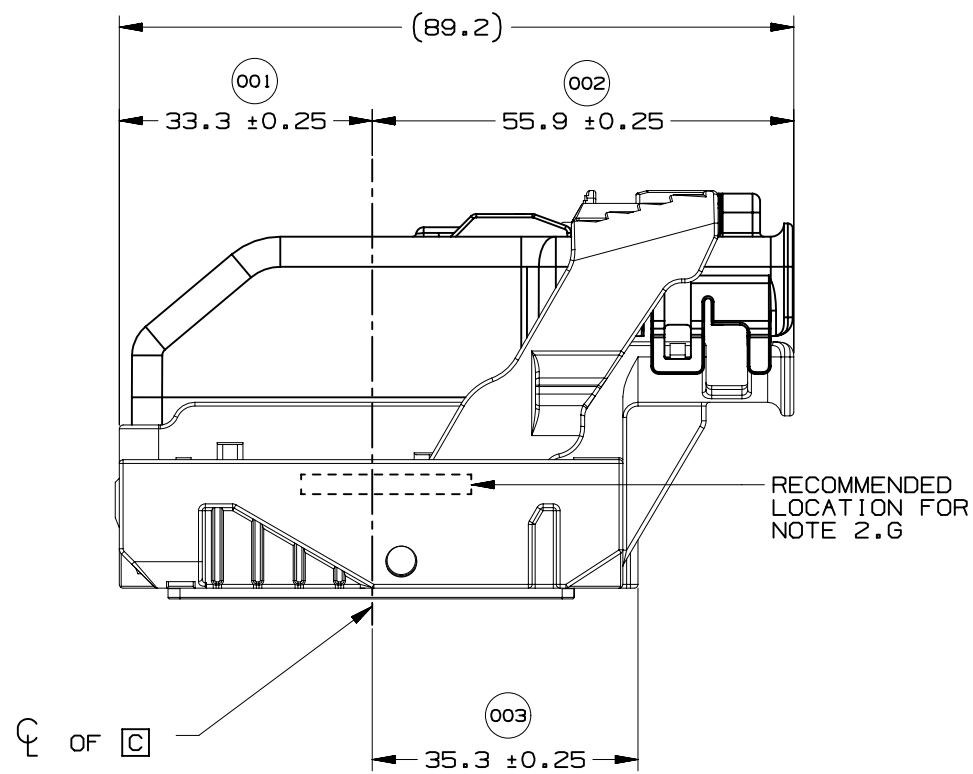
DWG STATUS

| ST | REV | PDI |
|----|-----|-----|
| R | 001 | |

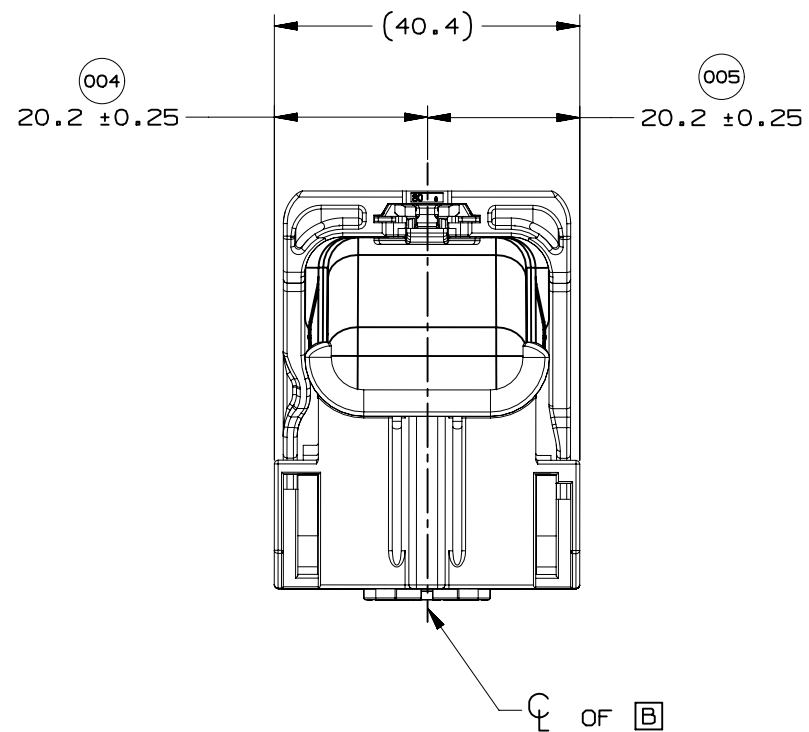
PAGE NUMBER

7 OF 22

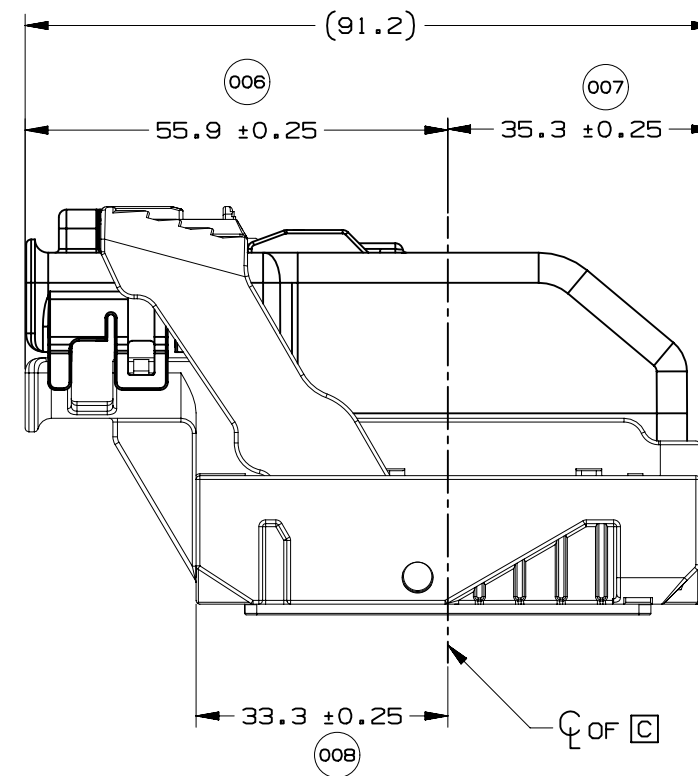




WIRE DRESS OPTION 0 SHOWN

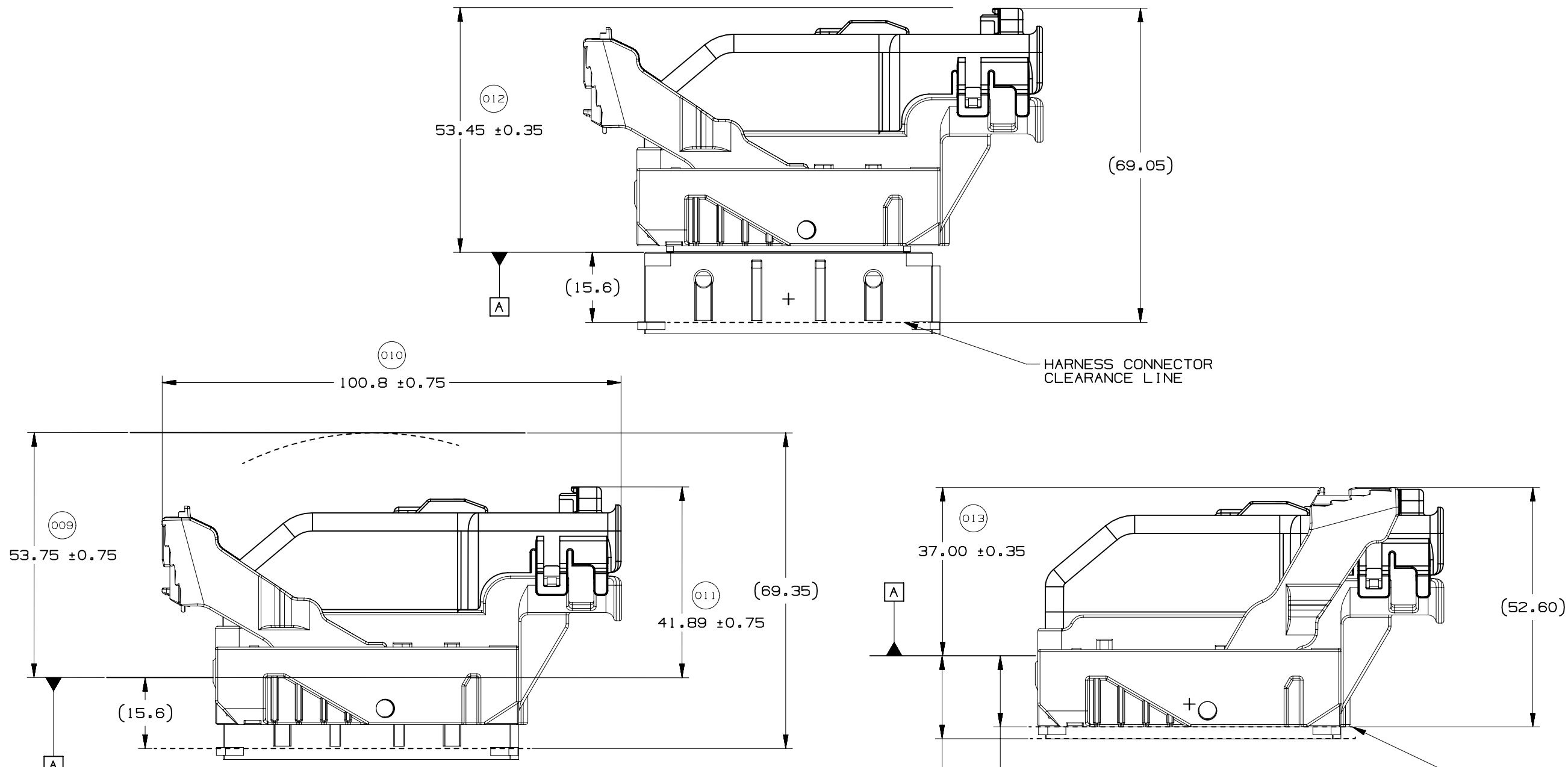


WIRE DRESS OPTION 0 SHOWN



WIRE DRESS OPTION 9 SHOWN





HARNESS CONNECTOR CLEARANCE LINE

HARNESS CONNECTOR ASSEMBLY IN FULLY-MATED POSITION

HARNESS CONNECTOR CLEARANCE LINE

15.6 MIN. ALL AROUND CLEARANCE REQUIRED FOR HARNESS CONNECTOR (014)

17.9 MIN. AT PAD LOCATION CLEARANCE REQUIRED FOR HARNESS CONNECTOR CONSTRUCTION BELOW THIS PLANE IS NOT CONTROLLED (015)

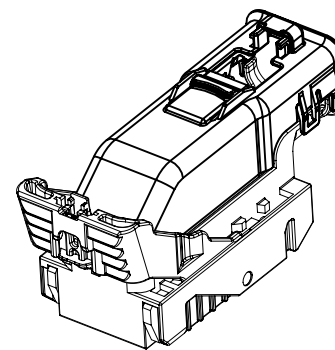
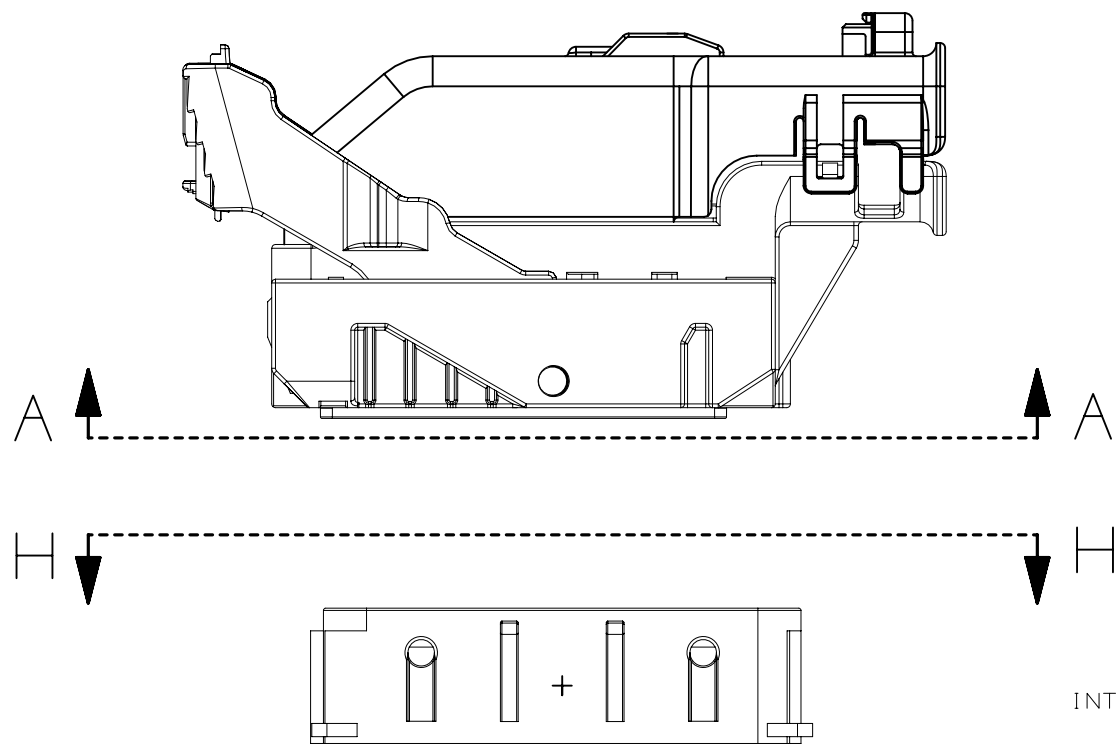


PAGE TITLE
LOCATION AND PACKAGING DIMENSIONS
REFERENCING INTERFACE DATUM A

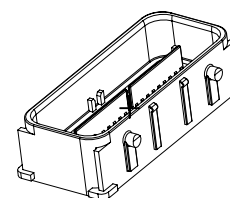
DRAWING NUMBER
12672833

| DWG STATUS | | |
|------------|-----|-----|
| ST | REV | PD1 |
| R | 001 | |

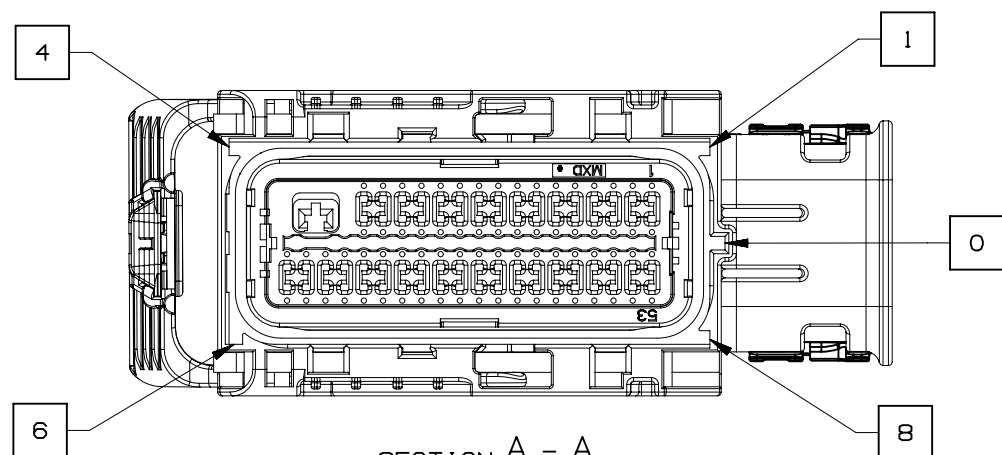
PAGE NUMBER
10 OF 22



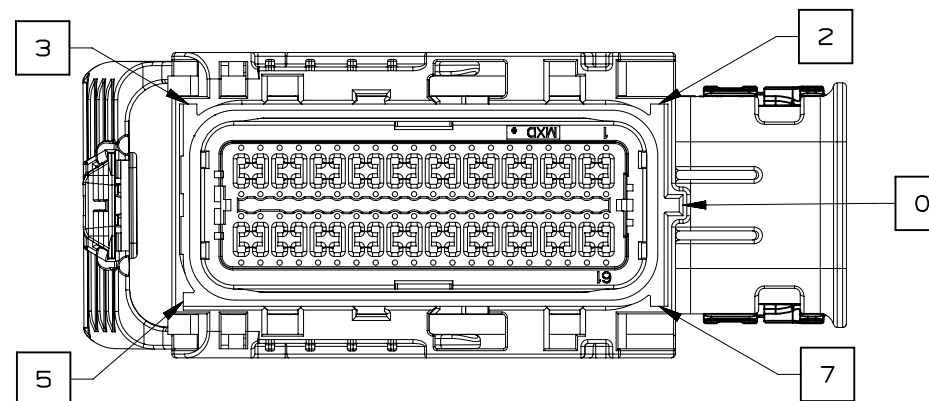
NOTE: REFERENCE THE COMPONENT TABLE FOR KEY OPTIONS AND CONFIGURATIONS



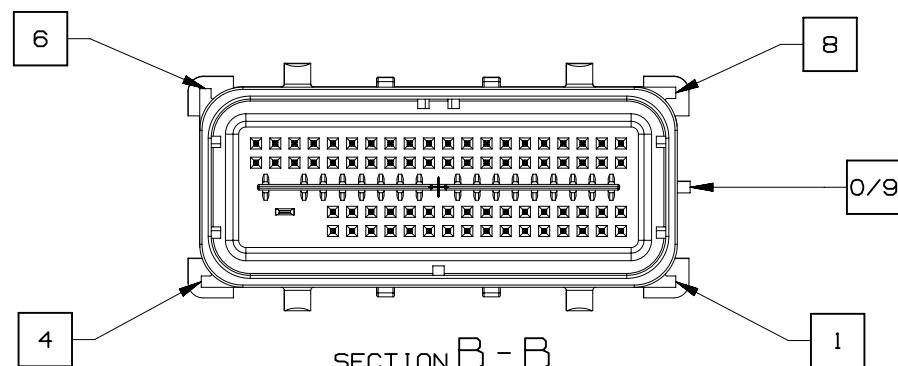
INTERFACE SIDE SHOWN ON ALL SECTION VIEWS



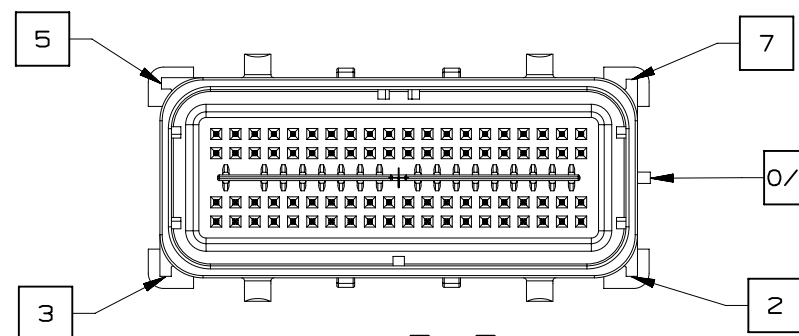
SECTION A - A
73 CKT HARNESS CONNECTOR ASSEMBLY
KEY OPTION B SHOWN



SECTION A - A
80 CKT HARNESS CONNECTOR ASSEMBLY
KEY OPTION K SHOWN



SECTION B - B
73 CKT HARNESS CONNECTOR ASSEMBLY
KEY OPTION B SHOWN



SECTION B - B
80 CKT HARNESS CONNECTOR ASSEMBLY
KEY OPTION K SHOWN

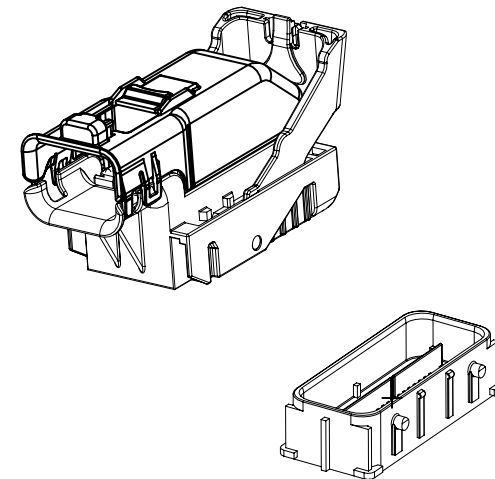
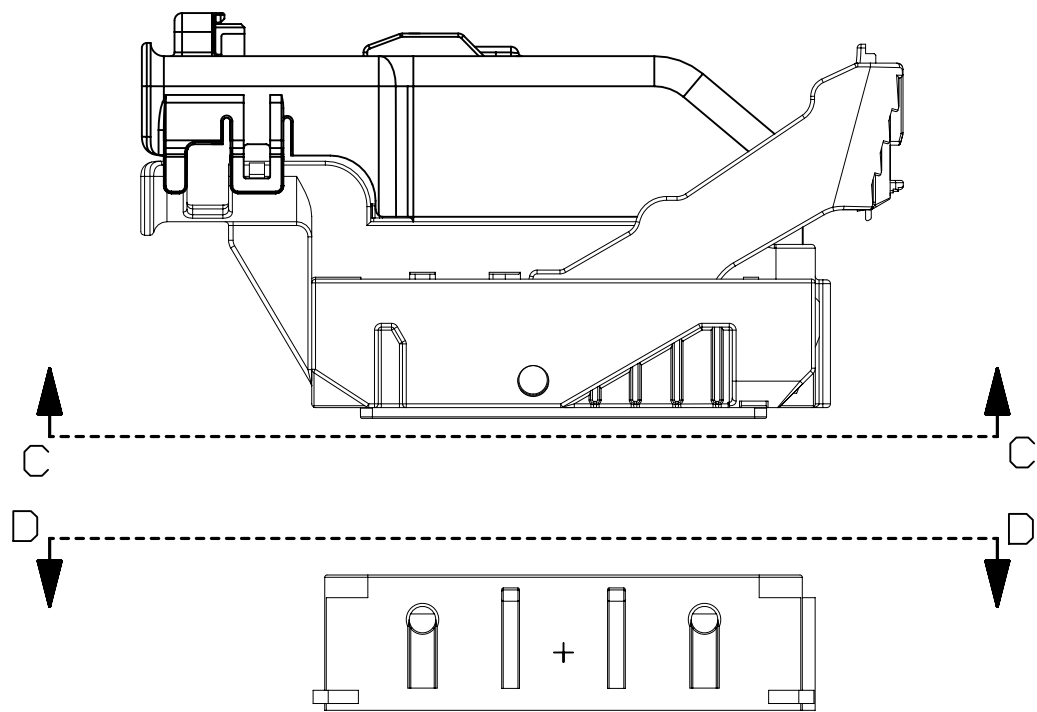


PAGE TITLE
KEY ID REF - WIRE DRESS OPTION 0

DRAWING NUMBER
12672833

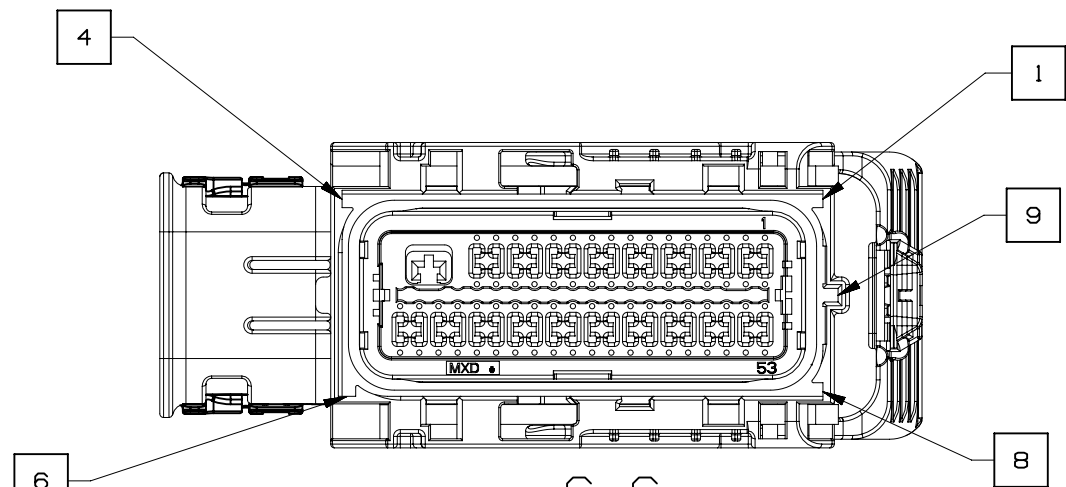
| DWG STATUS | | |
|------------|-----|-----|
| ST | REV | PD1 |
| R | 001 | |

PAGE NUMBER
11 OF 22

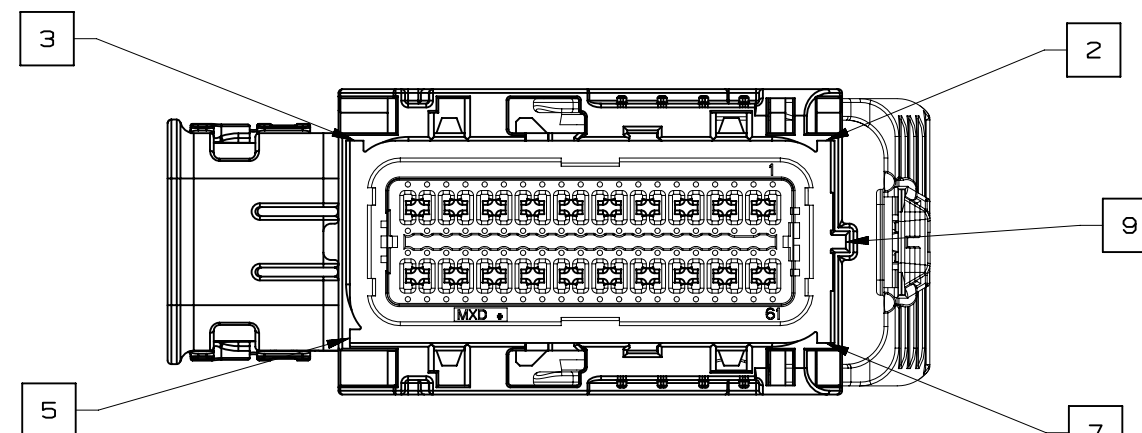


NOTE: REFERENCE THE COMPONENT TABLE FOR KEY OPTIONS AND CONFIGURATIONS

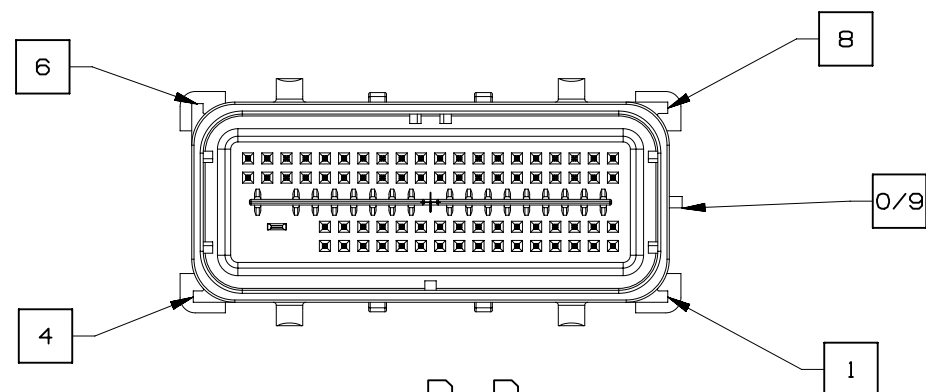
INTERFACE SIDE SHOWN ON ALL SECTION VIEWS



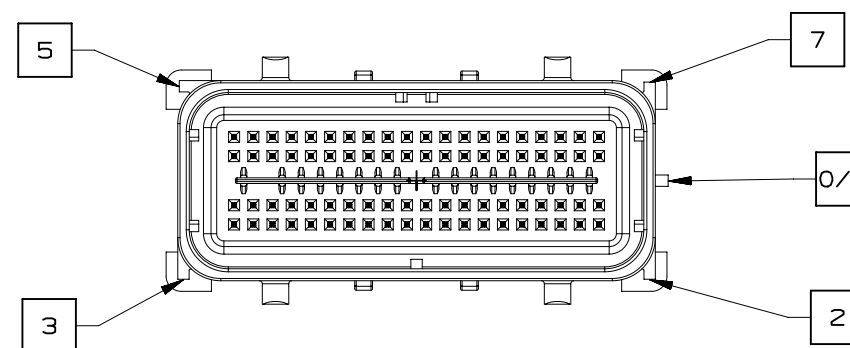
SECTION C-C
73 CKT HARNESS CONNECTOR ASSEMBLY
KEY OPTION B SHOWN



SECTION C-C
80 CKT HARNESS CONNECTOR ASSEMBLY
KEY OPTION K SHOWN



SECTION D-D
73 CKT HARNESS CONNECTOR ASSEMBLY
KEY OPTION B SHOWN



SECTION D-D
80 CKT HARNESS CONNECTOR ASSEMBLY
KEY OPTION K SHOWN

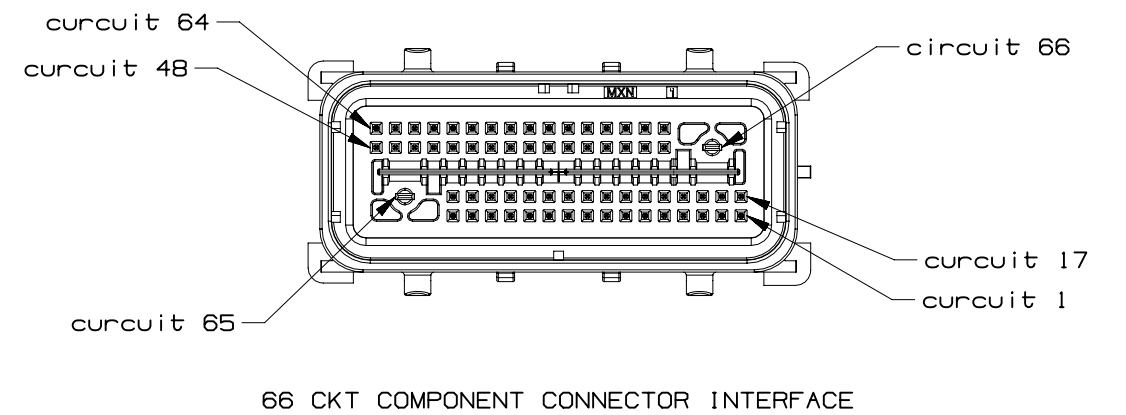
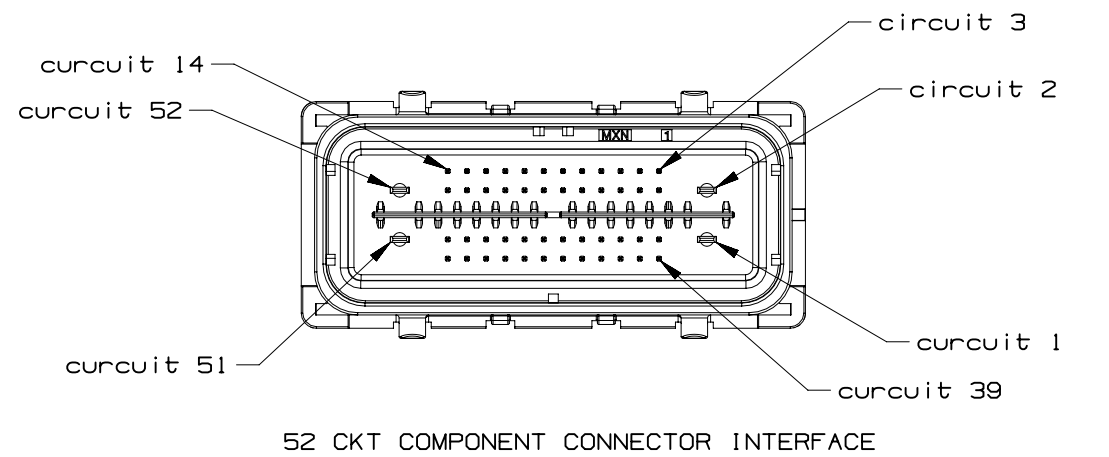
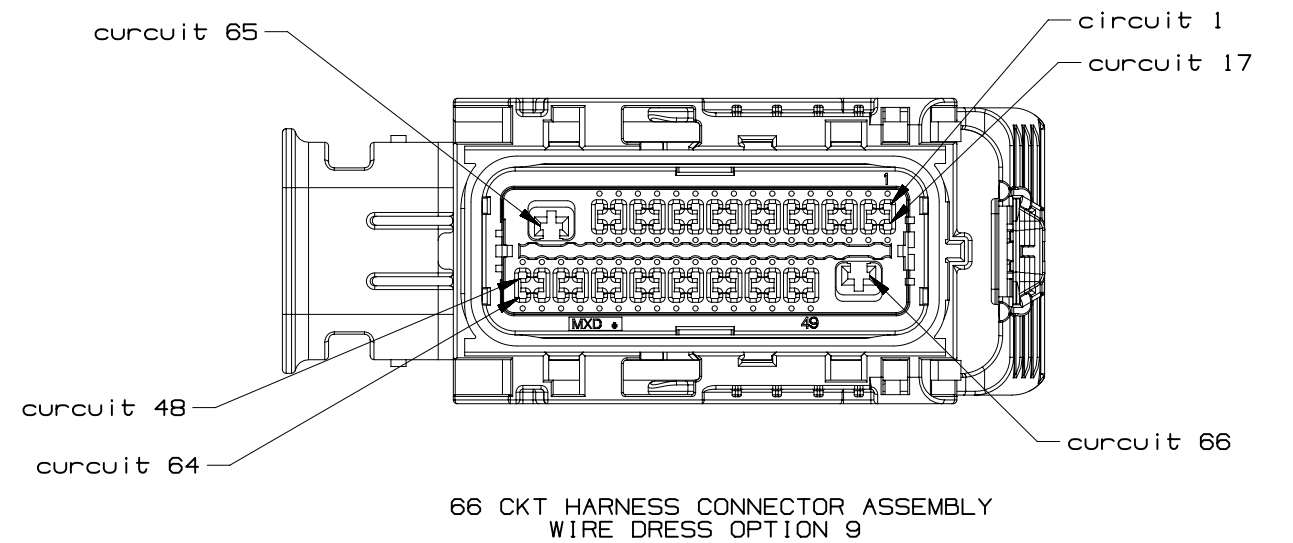
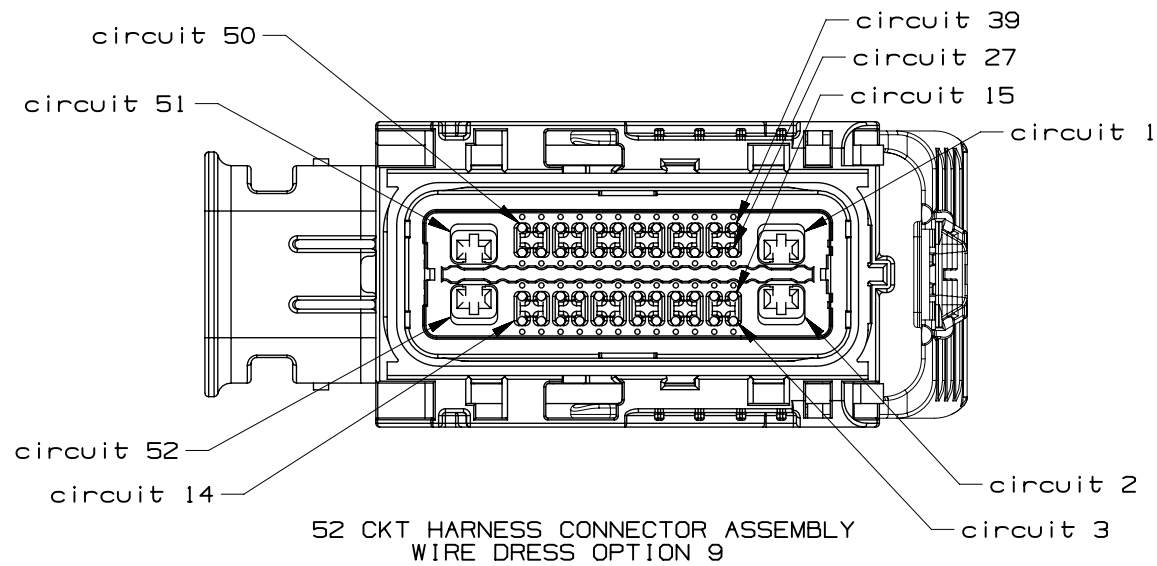
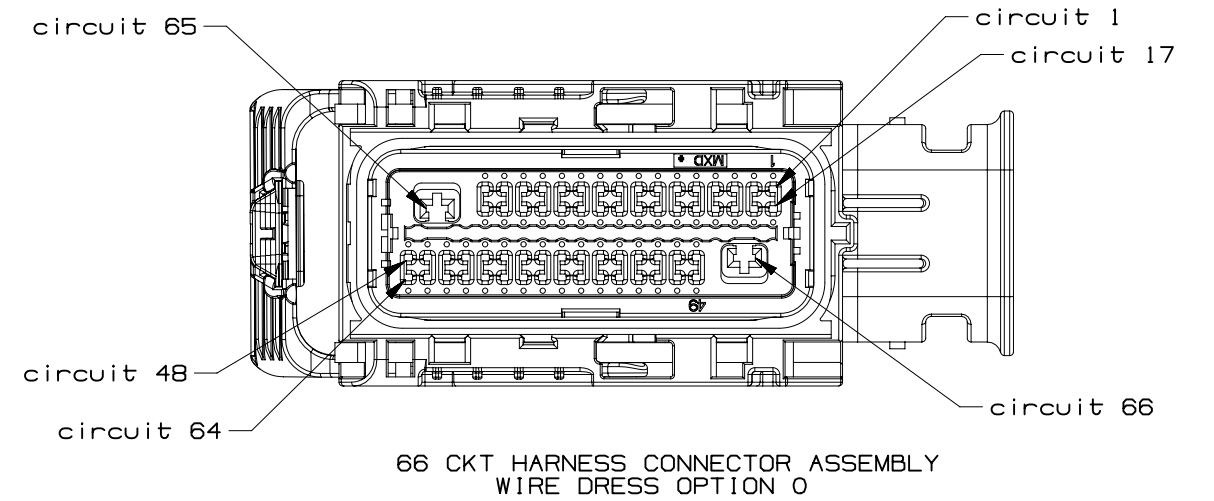
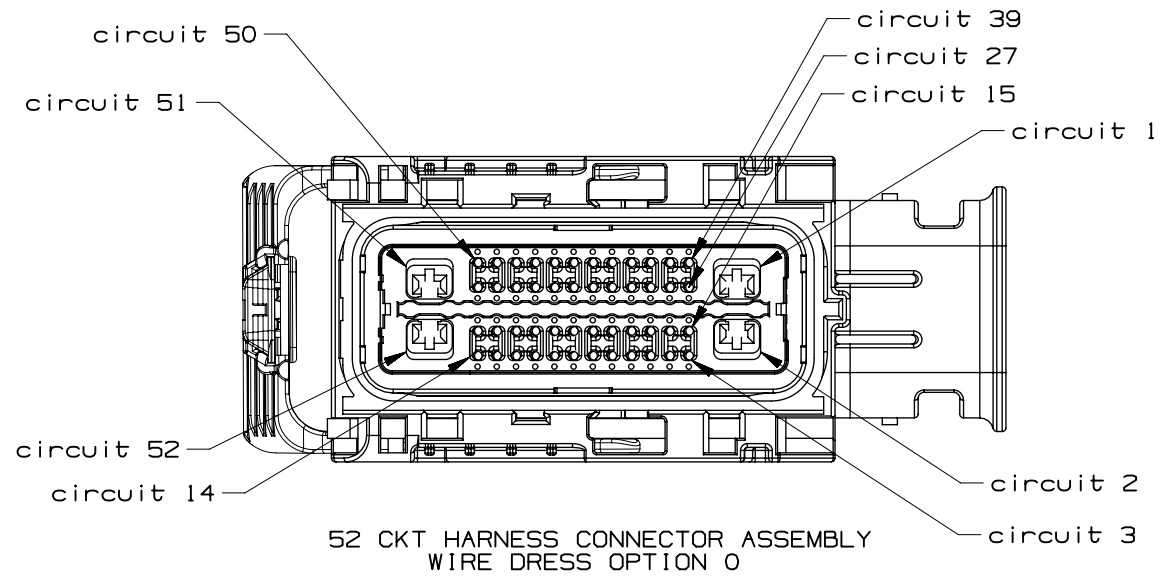


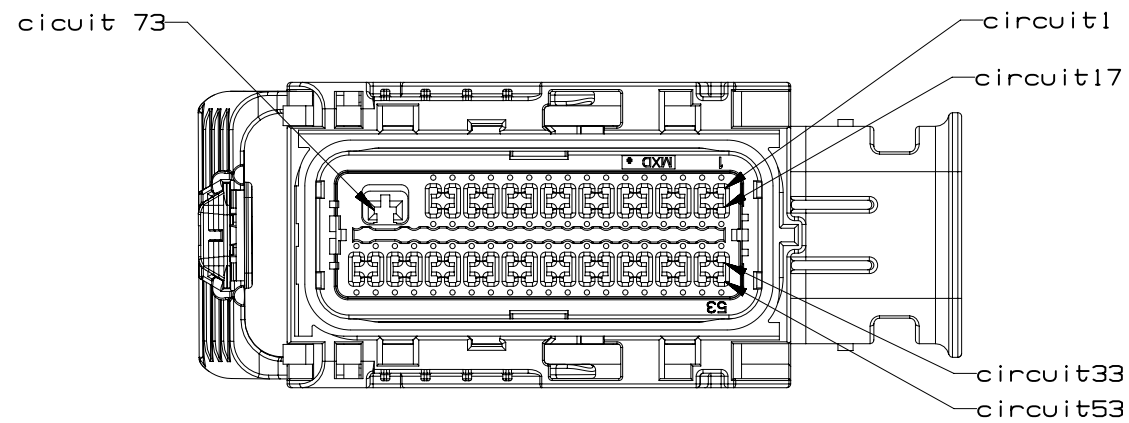
PAGE TITLE
KEY ID REF - WIRE DRESS OPTION 9

DRAWING NUMBER
12672833

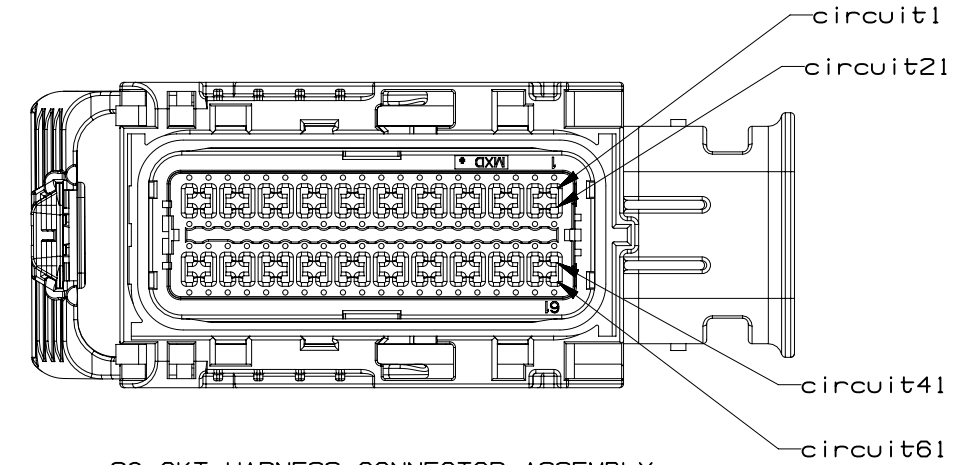
| DWG STATUS | | |
|------------|-----|-----|
| ST | REV | PD1 |
| R | 001 | |

PAGE NUMBER
12 OF 22



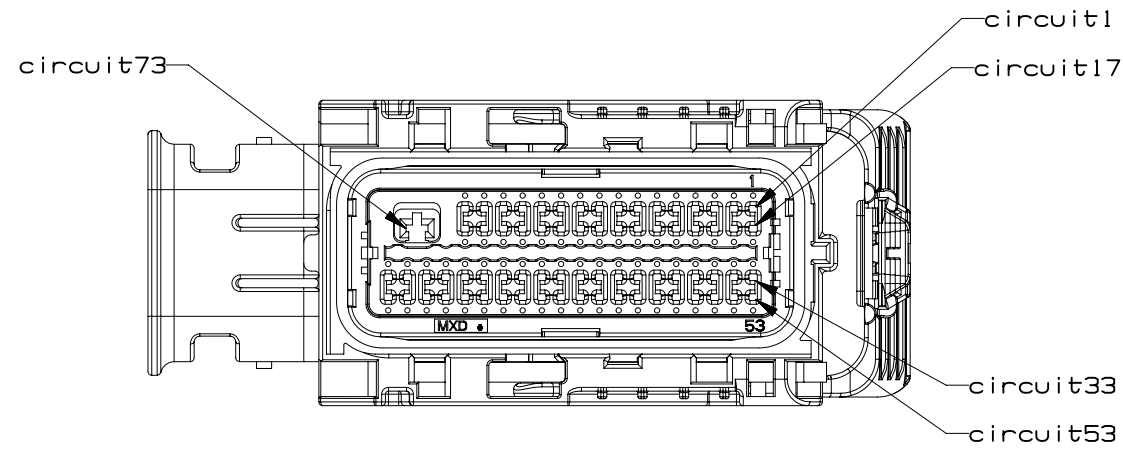


73 CKT HARNESS CONNECTOR ASSEMBLY
WIRE DRESS OPTION 0

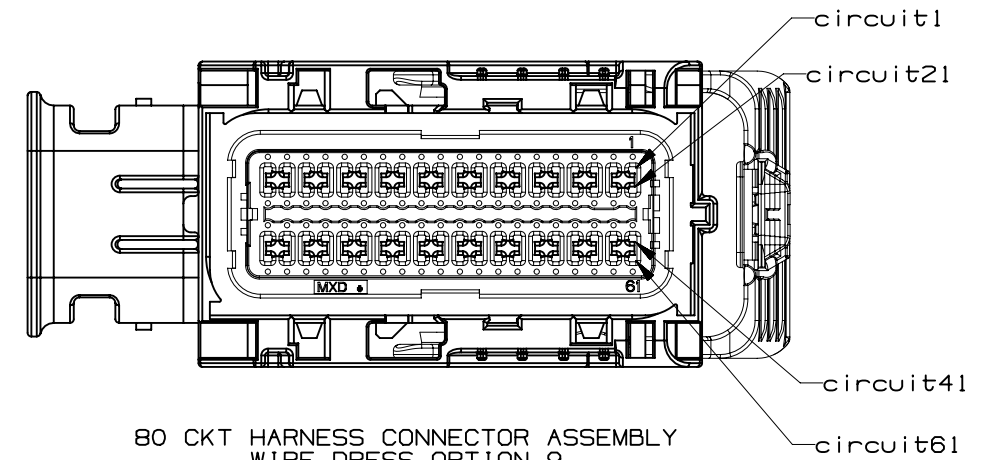


80 CKT HARNESS CONNECTOR ASSEMBLY
WIRE DRESS OPTION 0

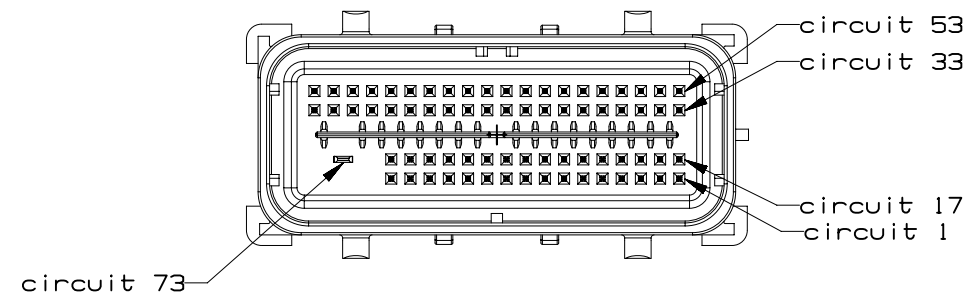
INTERFACE SIDE SHOWN ON ALL VIEWS



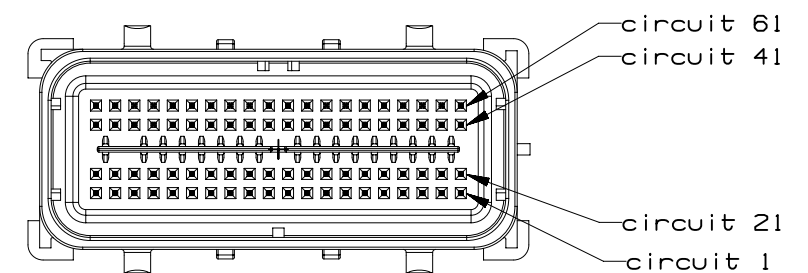
73 CKT HARNESS CONNECTOR ASSEMBLY
WIRE DRESS OPTION 9



80 CKT HARNESS CONNECTOR ASSEMBLY
WIRE DRESS OPTION 9

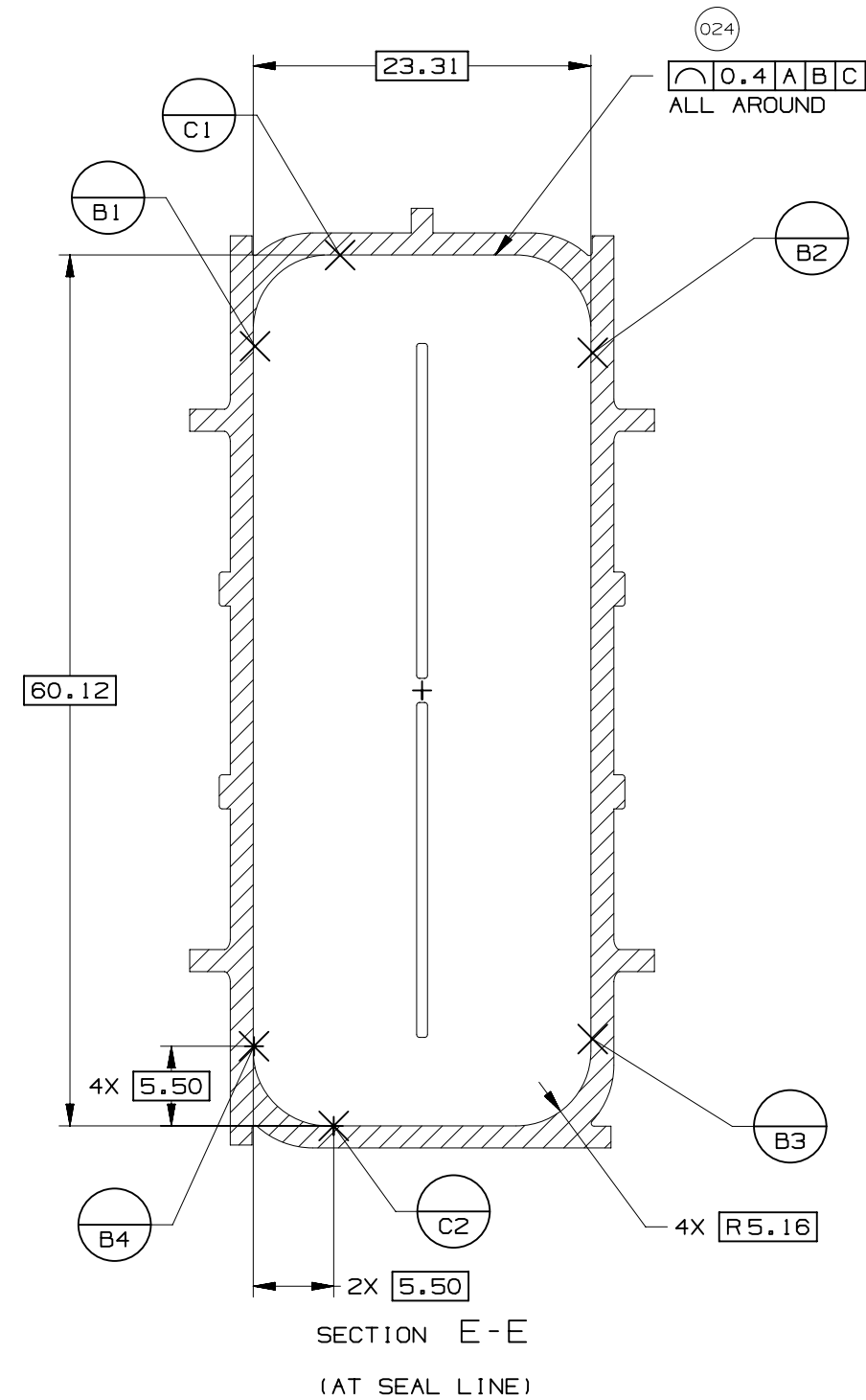
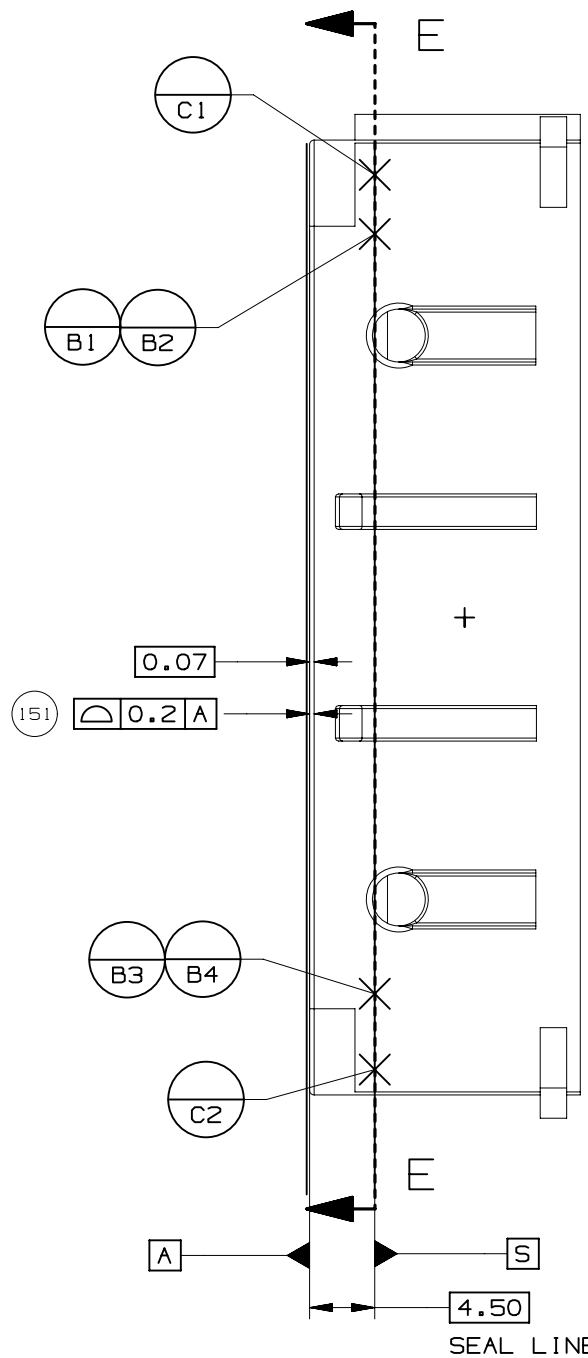
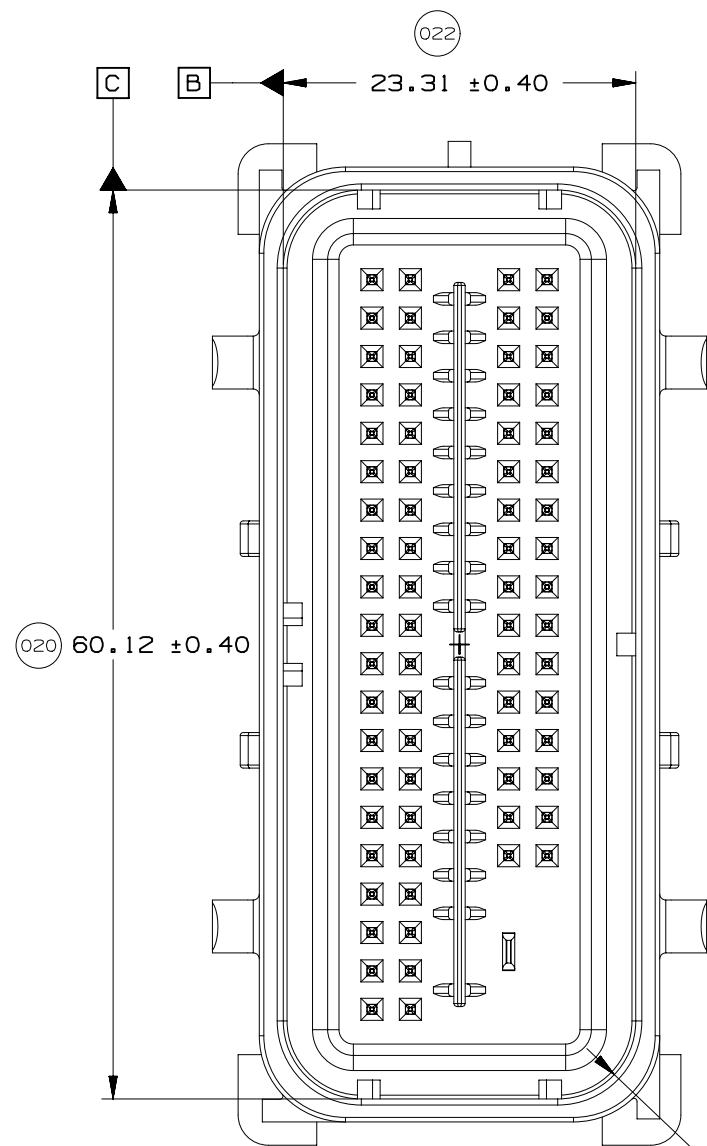
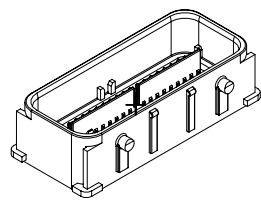


73 CKT COMPONENT CONNECTOR INTERFACE



80 CKT COMPONENT CONNECTOR INTERFACE





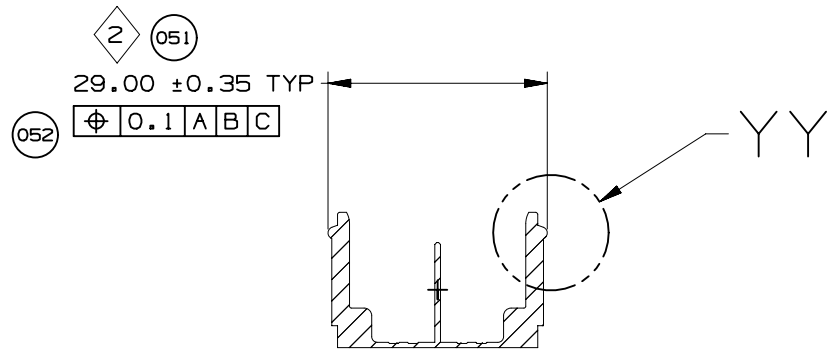
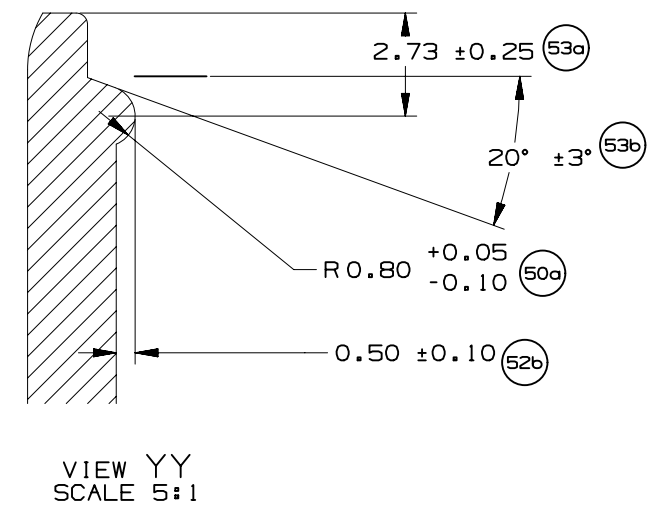
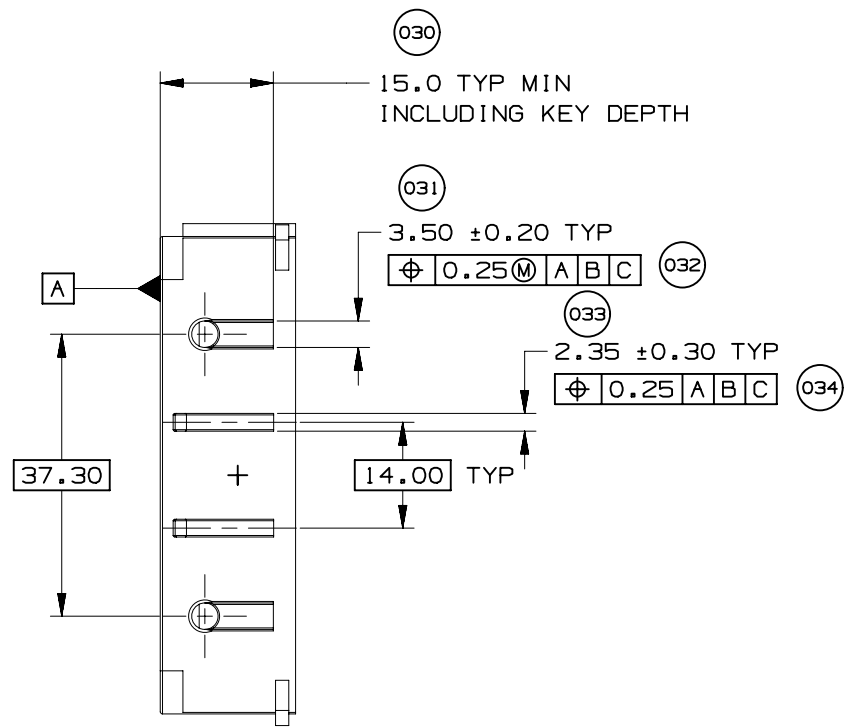
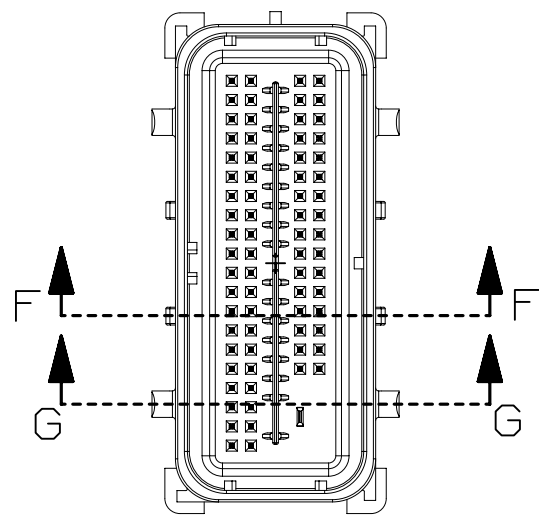
UNLESS SPECIFIED, TOLERANCE OF THE COMPONENT CONNECTOR INTERFACE TO BE $\sqrt[0.13]{A B C}$



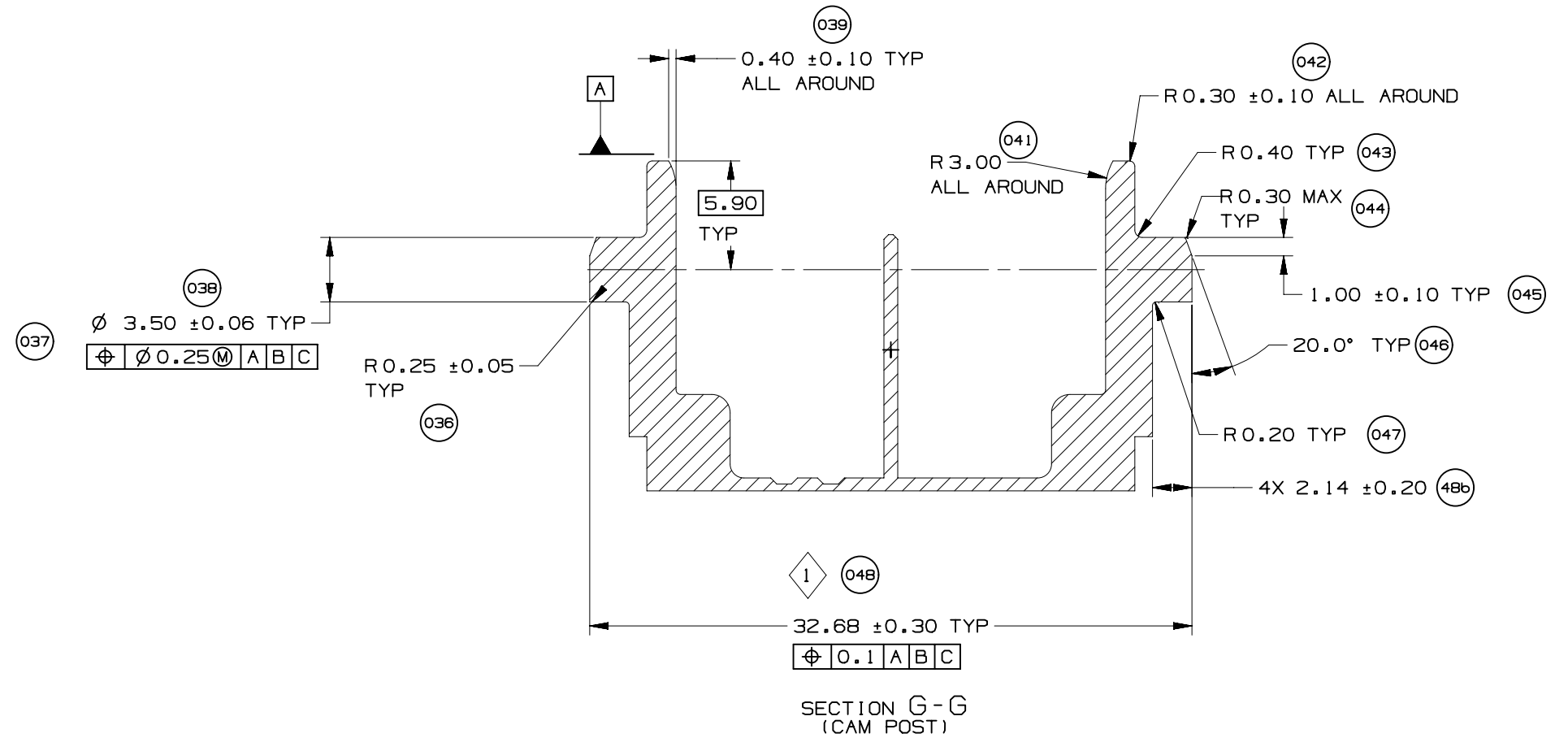
PAGE TITLE
COMPONENT CONNECTOR INTERFACE

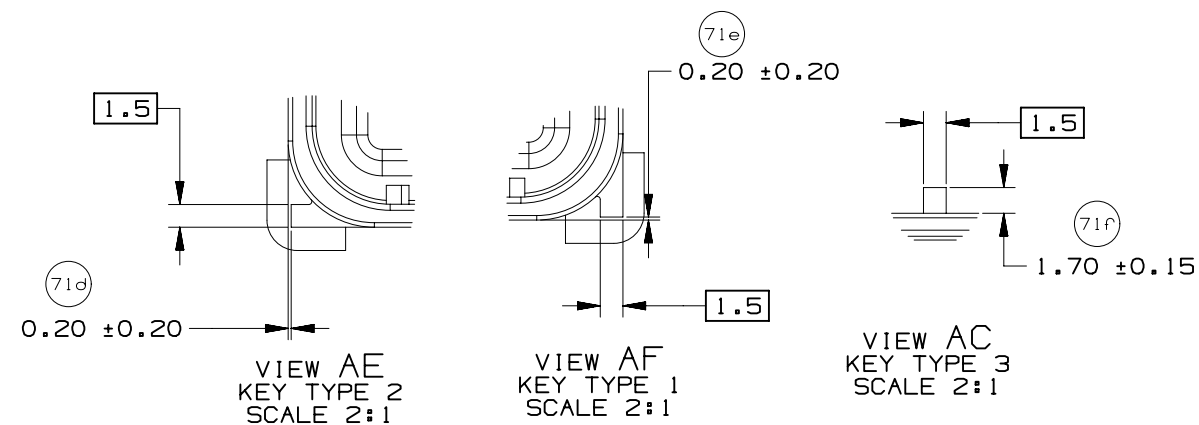
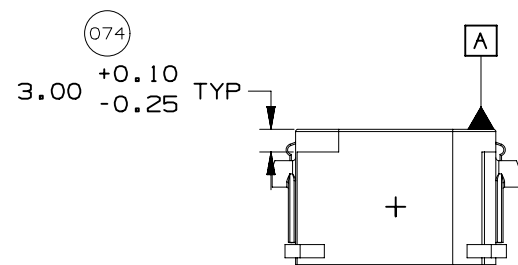
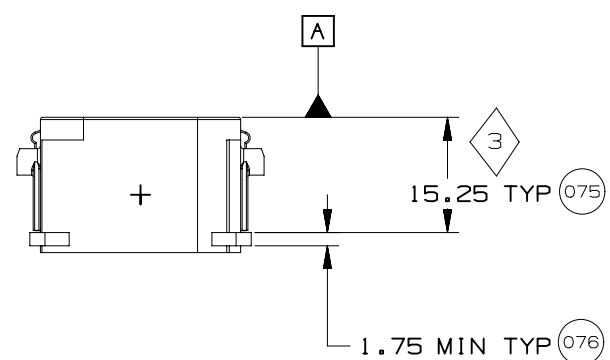
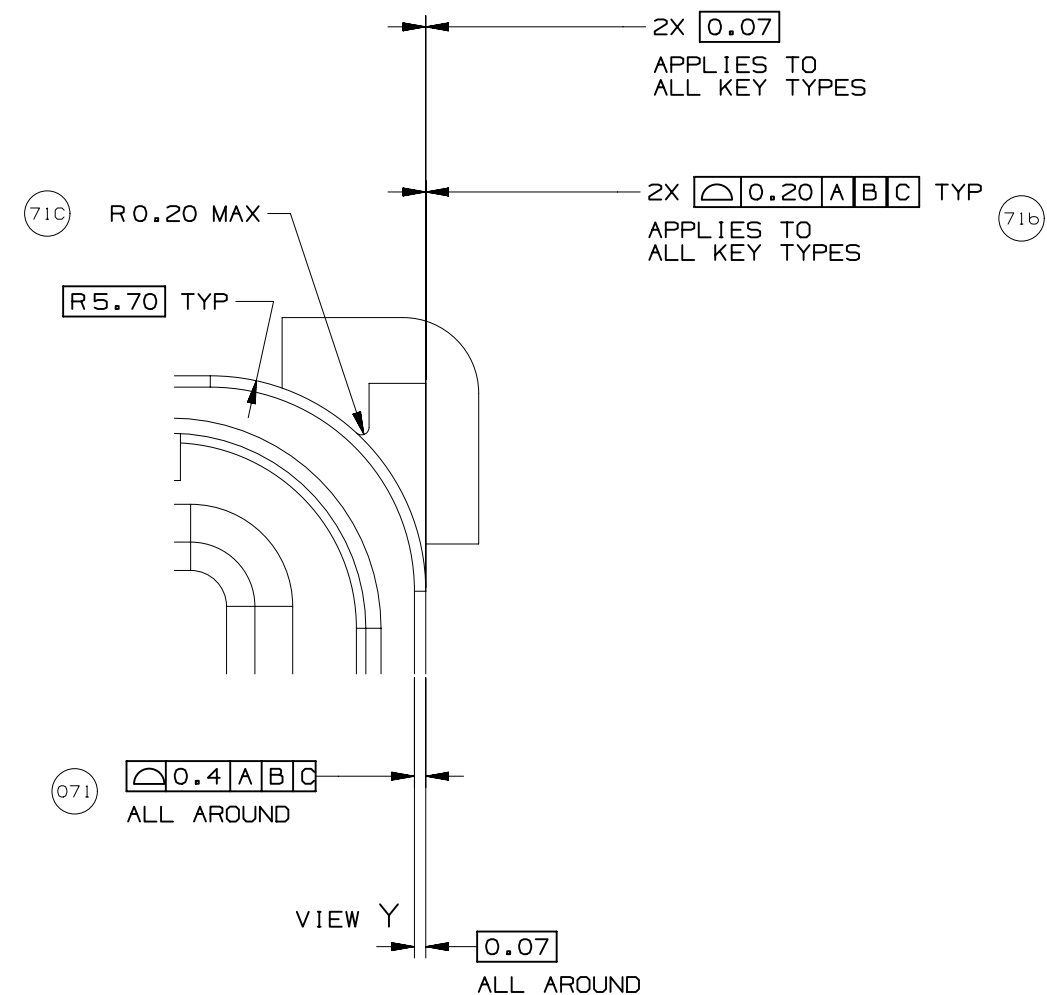
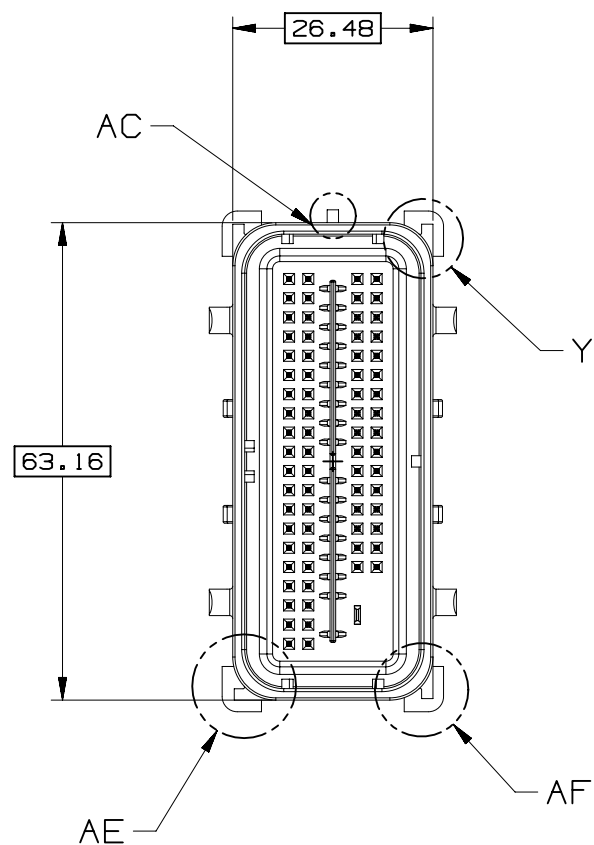
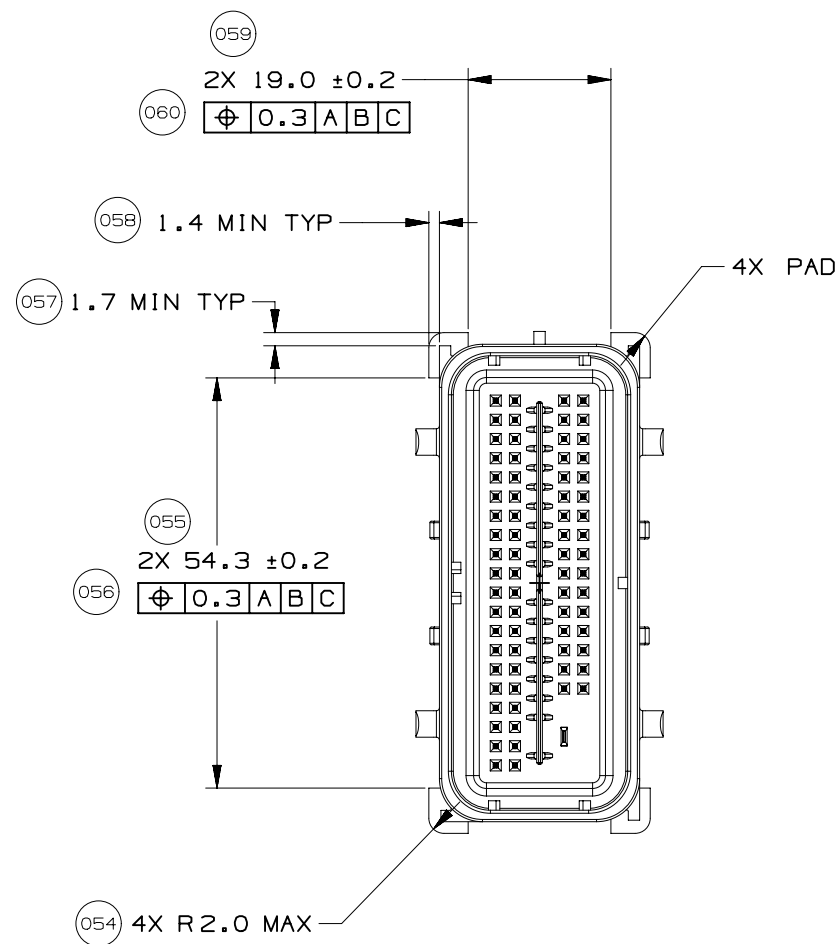
DRAWING NUMBER
12672833

| DWG STATUS | | | PAGE NUMBER |
|------------|-----|-----|-------------|
| ST | REV | PD1 | |
| R | 001 | | 15 OF 22 |



SECTION F-F
(RELEASE FEATURE)

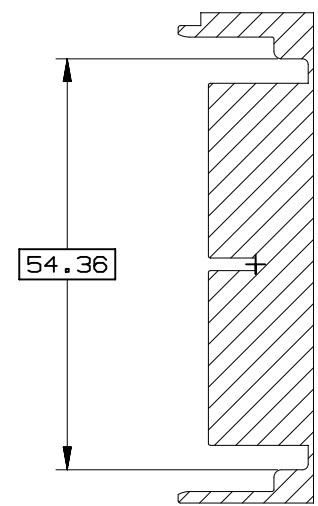
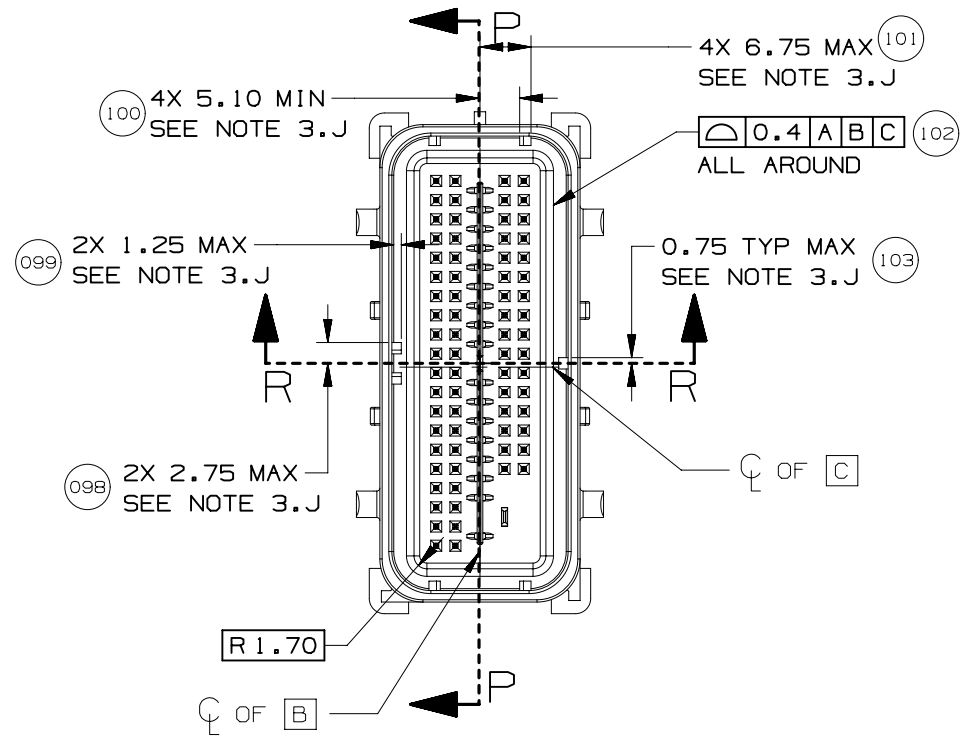




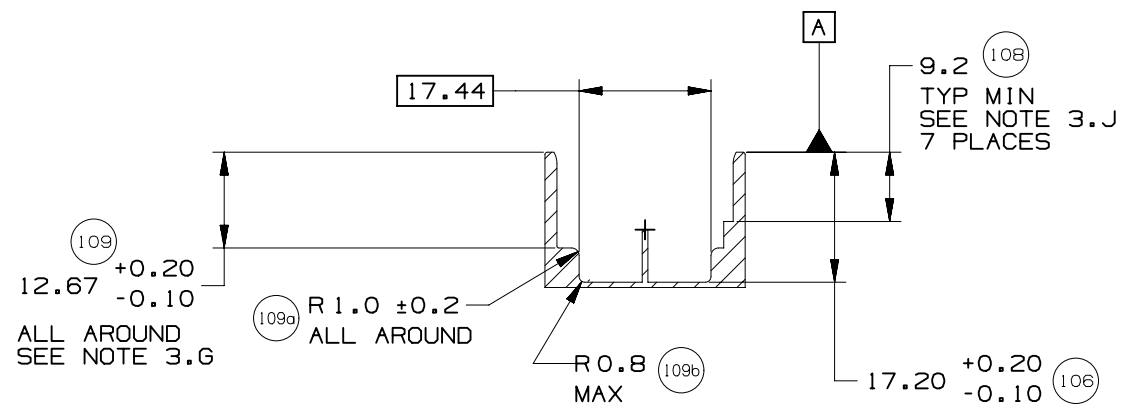
PAGE TITLE
 COMPONENT CONNECTOR INTERFACE

DRAWING NUMBER
 12672833

| DWG STATUS | | | PAGE NUMBER | |
|------------|-----|-----|-------------|-------|
| ST | REV | PD1 | | |
| R | 001 | | 17 | OF 22 |



SECTION P-P



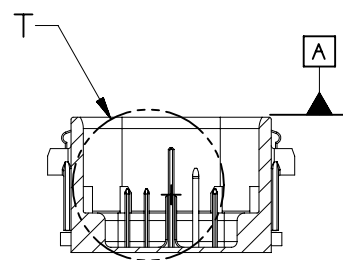
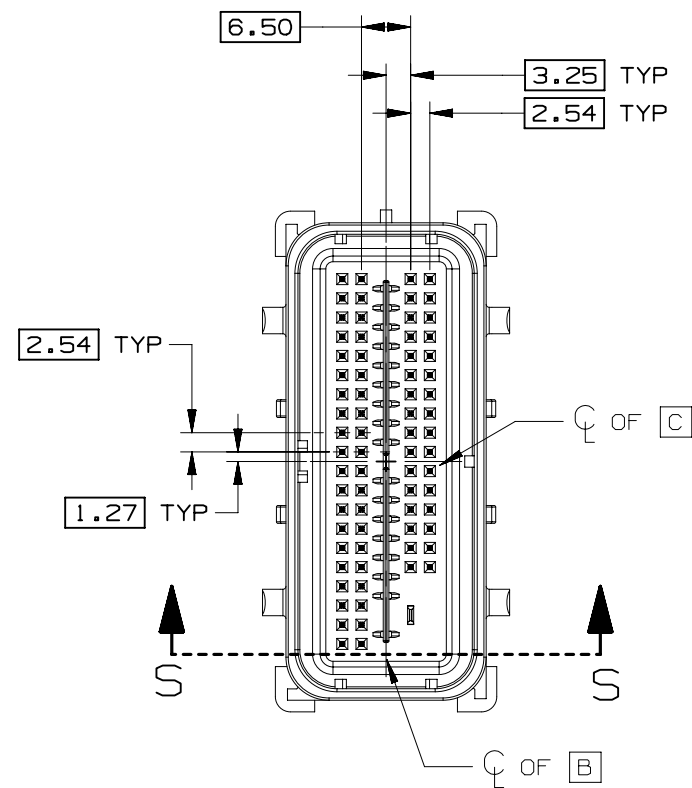
SECTION R-R



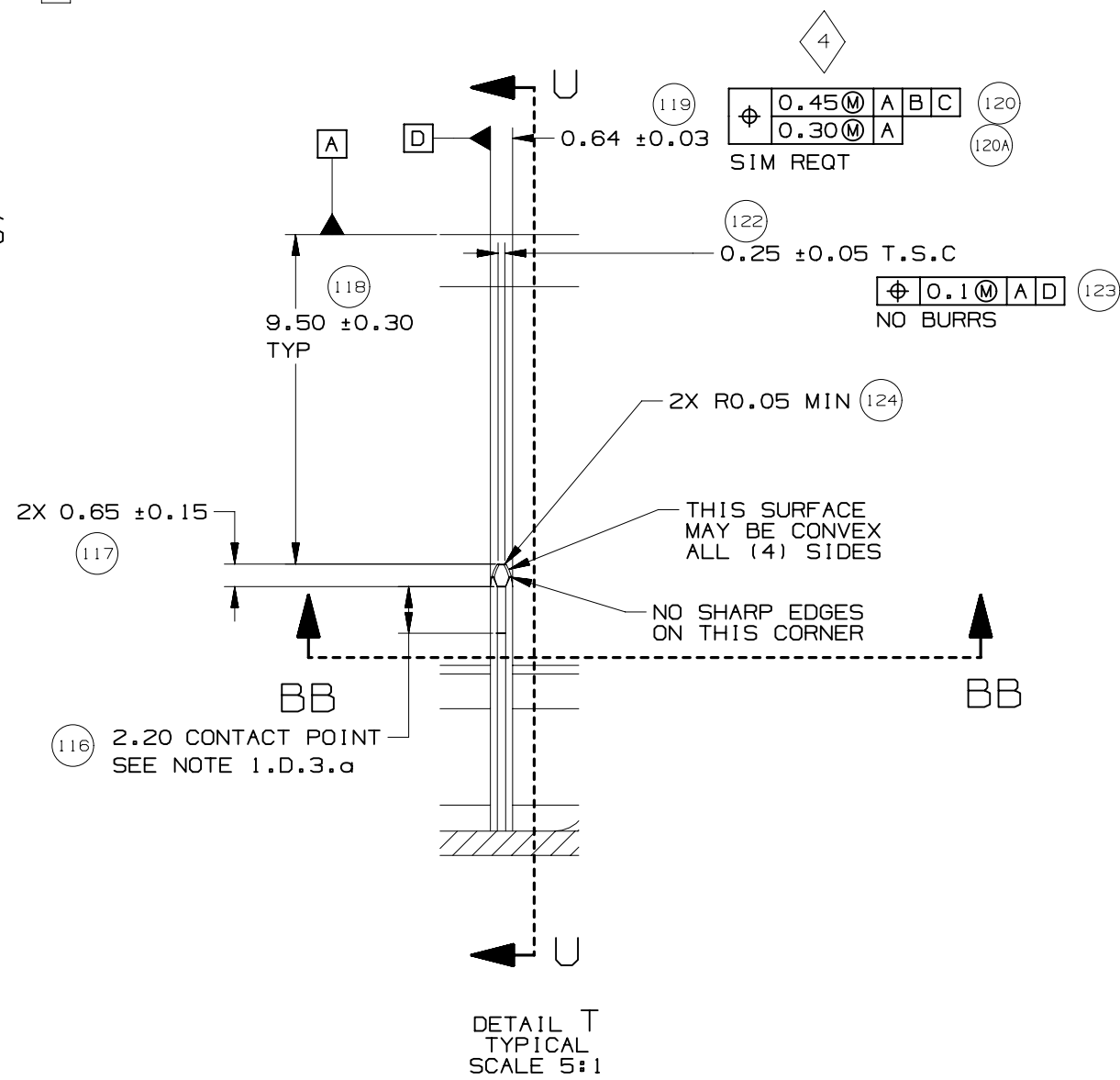
PAGE TITLE
COMPONENT CONNECTOR INTERFACE

DRAWING NUMBER
12672833

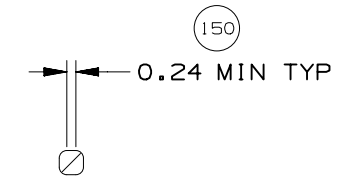
| DWG STATUS | | | PAGE NUMBER | |
|------------|-----|-----|-------------|-------|
| ST | REV | PD1 | 19 | OF 22 |
| R | 001 | | | |



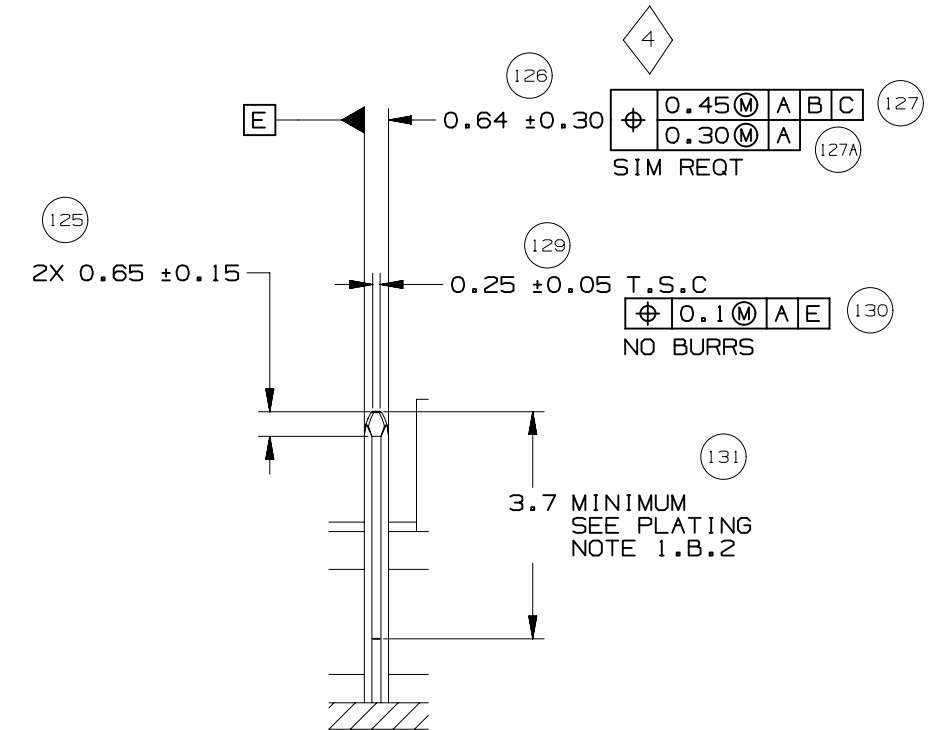
SECTION S-S



DETAIL T
TYPICAL
SCALE 5:1

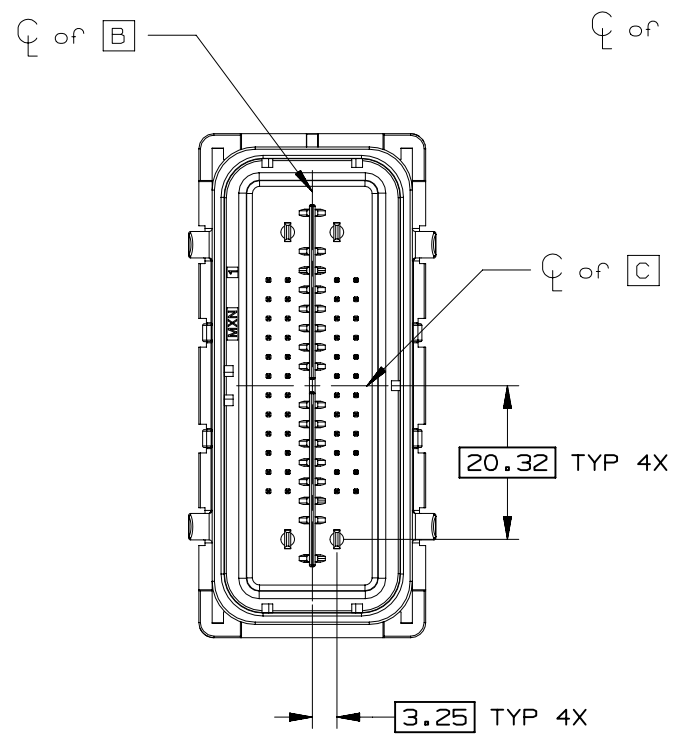


SECTION BB-BB

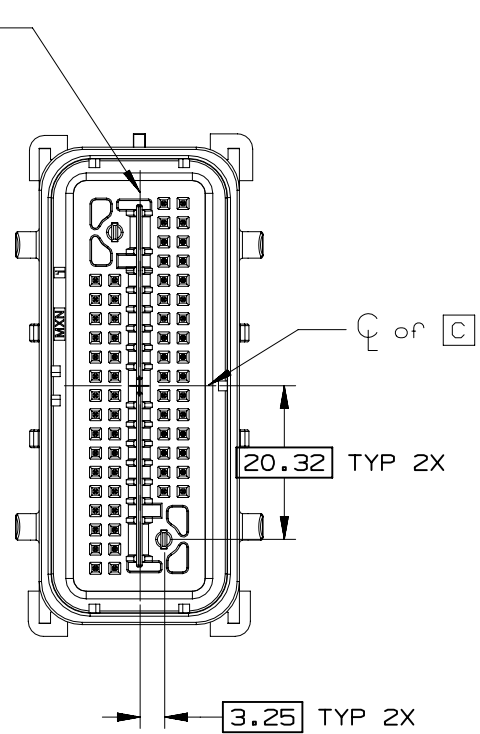


SECTION U-U
TYPICAL

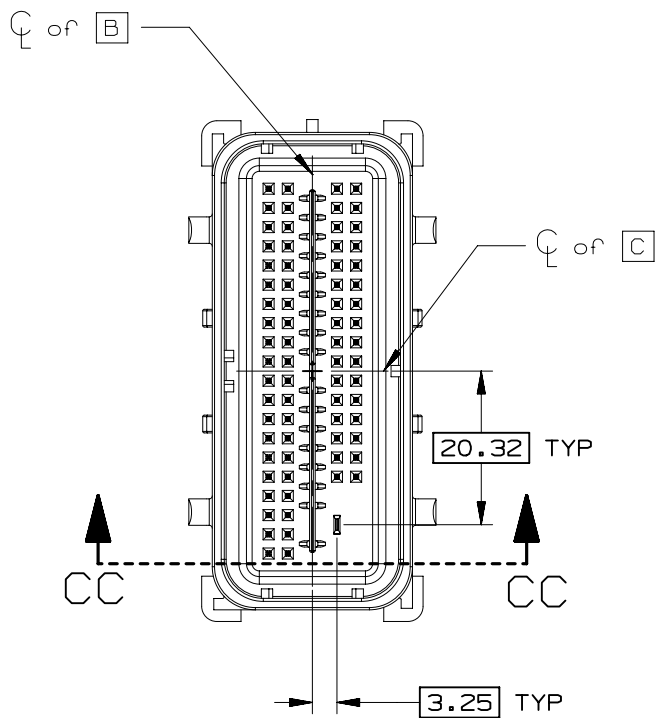




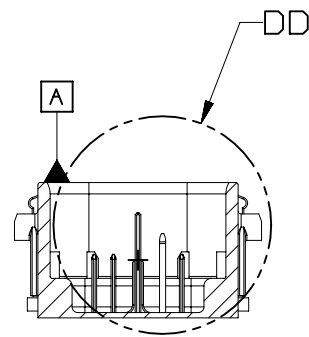
52 CKT COMPONENT
CONNECTOR INTERFACE



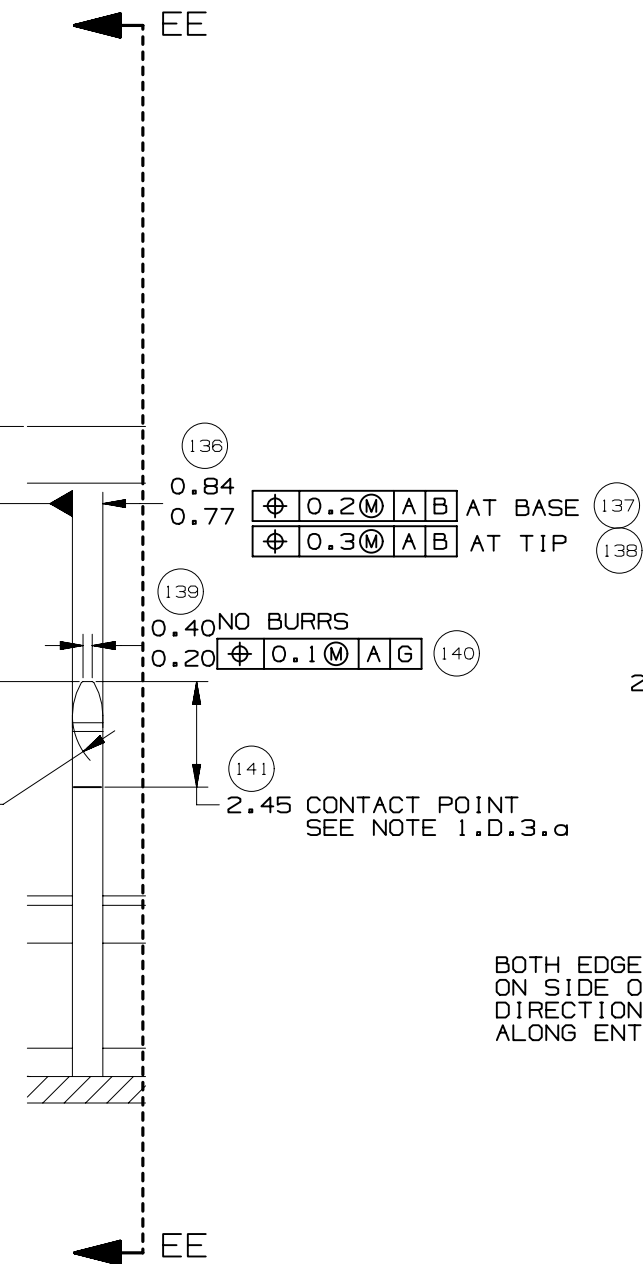
66 CKT COMPONENT
CONNECTOR INTERFACE



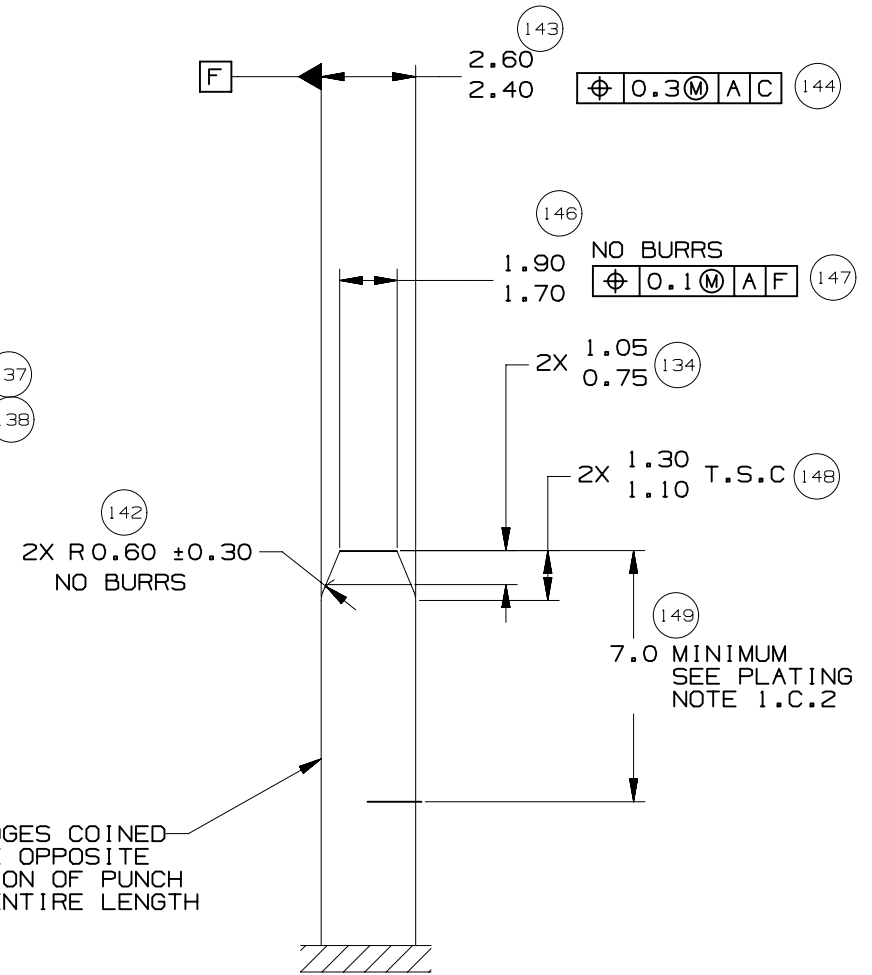
73 CKT COMPONENT
CONNECTOR INTERFACE



SECTION CC-CC



DETAIL DD
TYPICAL
SCALE 5:1



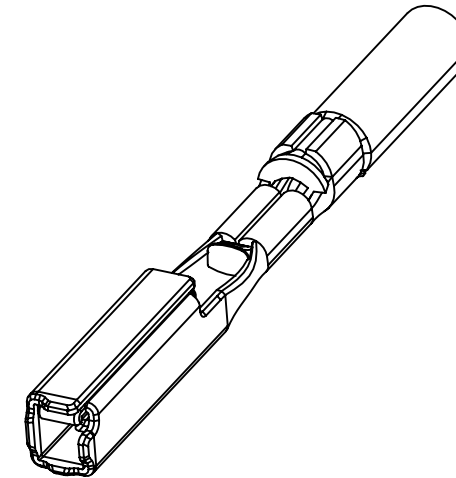
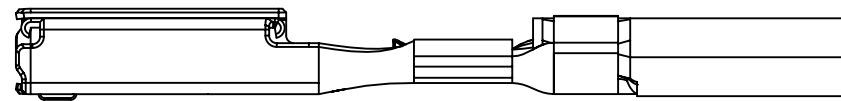
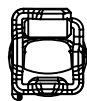
SECTION EE-EE
TYPICAL

BOTH EDGES COINED
ON SIDE OPPOSITE
DIRECTION OF PUNCH
ALONG ENTIRE LENGTH



MOLEX MX64 RECEPTACLE TERMINAL INFORMATION

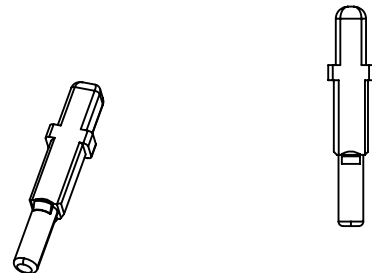
| ITEM | MOLEX P/N | GM P/N | WIRE SIZE MM2 | TYPE | PLATING | REEL WIND DIRECTION | COMMENTS |
|------|------------|----------|------------------|------|---------|------------------------|----------|
| 1 | 34736-0025 | | 0.35 | ISO | SILVER | LEFT | |
| 2 | 34736-0026 | 12672850 | 0.35 | ISO | SILVER | RIGHT | |
| 3 | 34736-0027 | | 0.5 / 0.75 | ISO | SILVER | LEFT | |
| 4 | 34736-0028 | 12672851 | 0.5 / 0.75 | ISO | SILVER | RIGHT | |



CAVITY PLUGS

| ITEM | MFG | MFG P/N | GM P/N RD | SIZE | COLOR | MFG DRAWING | PROD SPEC | APP SPEC | COMMENTS |
|------|--------|--------------|--------------|------|---------|--------------|----------------|--------------|----------|
| 1 | MOLEX | 34586-0001 | 12674820 | 0.64 | NATURAL | SD-34586-001 | PS-34566-0000 | AS-34566-001 | |
| 2 | YAZAKI | 7158-3114-90 | 12674821 | 2.8 | BLUE | 7158-3114-90 | YPES-11-04-062 | YPES-15-299 | |

ITEM 1



ITEM 2



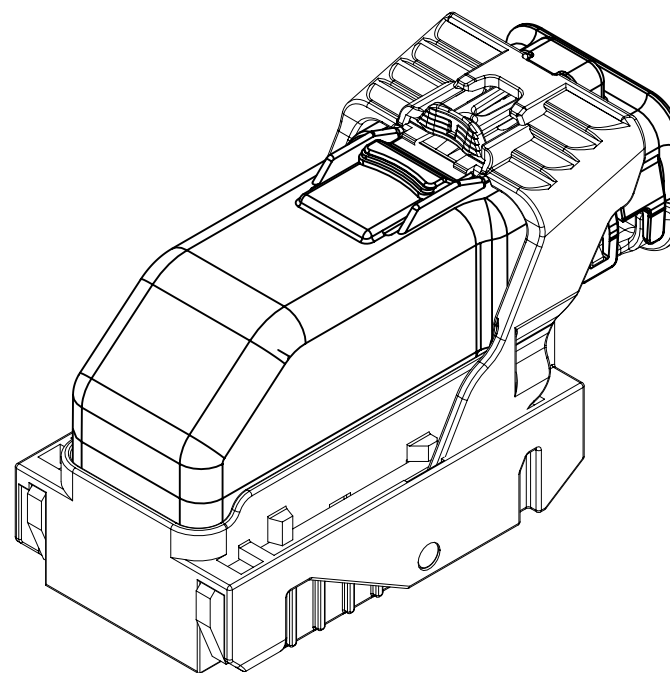
PAGE TITLE
ADDITIONAL COMPONENTS REQUIRED

DRAWING NUMBER
12672833


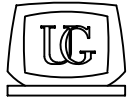
| DWG STATUS | | |
|------------|-----|-----|
| ST | REV | PD1 |
| R | 001 | |

PAGE NUMBER
22 OF 22

| INDEX | |
|---|------|
| PAGE TITLE | PAGE |
| TITLE BLOCK | 1 |
| REVISION BLOCK | 2 |
| PART BLOCK | 3 |
| KPC BLOCK | 4 |
| COMPONENT TABLE | 5 |
| NOTES | 6 |
| NOTES | 7 |
| WIRE DRESS PACKAGING DIMENSIONS | 8 |
| LOCATION AND PACKAGING DIMENSIONS REFERENCING INTERFACE DATUMS B & C | 9 |
| LOCATION AND PACKAGING DIMENSIONS REFERENCING INTERFACE DATUM A | 10 |
| KEY ID REF - WIRE DRESS OPTION 0 | 11 |
| KEY ID REF - WIRE DRESS OPTION 9 | 12 |
| CIRCUIT CONFIGURATIONS | 13 |
| CIRCUIT CONFIGURATIONS | 14 |
| COMPONENT CONNECTOR INTERFACE | 15 |
| COMPONENT CONNECTOR INTERFACE | 16 |
| COMPONENT CONNECTOR INTERFACE | 17 |
| COMPONENT CONNECTOR INTERFACE | 18 |
| COMPONENT CONNECTOR INTERFACE | 19 |
| COMPONENT CONNECTOR INTERFACE | 20 |
| COMPONENT CONNECTOR INTERFACE | 21 |
| ADDITIONAL COMPONENTS REQUIRED | 22 |




ISO VIEW

| | | | | |
|---|---|-------------------------------------|------------------|--------|
|  | <p>UNLESS OTHERWISE SPECIFIED: THIS DOCUMENT IS IN ACCORDANCE WITH ASME Y14.5M-1994 AS AMMENDED BY THE GM GLOBAL DIMENSIONING AND TOLERANCING ADDENDUM-1997. ALL GEOMETRIC TOLERANCES AND RELATED DATUMS APPLY RFS. RULE #1 (PERFECT FORM AT MMC) DOES NOT APPLY WHEN A RELATIONSHIP BETWEEN FEATURES IS ESTABLISHED BY ORIENTATION OR LOCATION TOLERANCES. SEPARATE POSITION CALLOUTS MAY BE GAGED SEPARATELY REGARDLESS OF DATUM REFERENCES.</p> | | | DATE |
| |  CHANGE RESTRICTED NO MANUAL CHANGES | REFERENCE 12H (MOLEX AUTOMOTIVE) | DRAFTER APVD1 | 05JN15 |
| DO NOT SCALE | | APVD2 | | |
| METRIC DIMENSIONS SHOWN IN MILLIMETERS UNLESS OTHERWISE SPECIFIED | DRAWING NAME | APVD3 | | |
| | HARNESS CONN ASM-SEALED 52/66/73/80 CKTS,MX123 | APVD4 | | |
| | | APVD5 | | |
| | DRAWING NUMBER | DWG STATUS | | |
| | 12672833 | ST | REV | |
| | | R | 001 | |
| | | PAGE NUMBER | | |
| | | 1 | OF 22 | |

| PAGE | DWG STATUS | | | | | REVISION HISTORY | AUTH | DR | CK | ENG |
|------|------------|----|-----|-----|-----|---------------------------------|--------|-----|----|-----|
| | DATE | ST | REV | CHG | PDI | | | | | |
| | 05JN15 | R | 001 | | | RELEASED TO PRODUCTION AT DLS A | CRMRJE | DFK | | |

| PAGE | DWG STATUS | | | | | REVISION HISTORY | AUTH | DR | CK | ENG |
|------|------------|----|-----|-----|-----|------------------|------|----|----|-----|
| | DATE | ST | REV | CHG | PDI | | | | | |
| | | | | | | | | | | |

| | | | | | | | | | | |
|---|----------------|----------------|------------|----------|-----|-------------|-----|---|----|----|
|  | PAGE TITLE | DRAWING NUMBER | DWG STATUS | | | PAGE NUMBER | | | | |
| | REVISION BLOCK | | | 12672833 | ST | REV | PDI | 2 | OF | 22 |
| | | | | R | 001 | | | | | |

KEY PRODUCT CHARACTERISTICS
(IN ACCORDANCE WITH QN 1805 OR ON 1050)



SAFETY/COMPLIANCE

TOTAL ON
DRAWING

4



FIT/FUNCTION

LAST NO.
USED

4

| NO | TYPE | DESCRIPTION | RATIONALE | PAGE/ZONE |
|----|------|---------------------------------|-------------------------------------|-----------|
| 1 | F/F | 32.68 | IMPROVE CONNECTOR SYSTEM MATING | 16 |
| 2 | F/F | 29.00 | INSURE PROPER RELEASE OF LEVER | 16 |
| 3 | F/F | 15.25 | INSURE FINAL MATE POSITION | 17 |
| 4 | F/F | POSITIONAL TOLERANCE (2 PLACES) | INSURE CONNECTOR SYSTEM MATEABILITY | 20 |



PAGE TITLE
KPC BLOCK

DRAWING NUMBER

12672833

DWG STATUS

| | | |
|----|-----|-----|
| ST | REV | PDI |
|----|-----|-----|

| | | |
|---|-----|--|
| R | 001 | |
|---|-----|--|

PAGE NUMBER

4 OF 22

| LINE | MFG. | MFG. P/N | GM P/N | EFFECTIVE DATE | APPLICABLE COMPONENTS | KEY OPTION | WIRE DRESS OPTION | KEY CONFIG. | COLOR | STATUS |
|------|--------|--------------|----------|----------------|--|------------|-------------------|-------------|---------|------------|
| | | | | | DESCRIPTION | | | | | |
| - | | | | | | | | | | |
| 1 | MOLEX | 34565-0003 | 12582676 | 02JN03 | MX123 DRESS COVER 52/66/73/80 CKT | N/A | N/A | N/A | BLACK | AVAILABLE |
| 2 | MOLEX | 160094-0001 | 12672852 | 01SP13 | MX123 HRNS CONN ASSY 52 CKT | A | 0 | 1458 | BLACK | AVAILABLE |
| 3 | MOLEX | 160094-0003 | 12672854 | 01SP13 | MX123 HRNS CONN ASSY 52 CKT | C | 0 | 2467 | BLUE | AVAILABLE |
| 4 | MOLEX | 160094-0013 | 12672853 | 01SP13 | MX123 HRNS CONN ASSY 52 CKT | A | 9 | 1458 | BLACK | AVAILABLE |
| 5 | MOLEX | 160094-0015 | 12672855 | 01SP13 | MX123 HRNS CONN ASSY 52 CKT | C | 9 | 2467 | BLUE | AVAILABLE |
| 6 | MOLEX | 34822-0013 | 12672856 | 01SP13 | MX123 HRNS CONN ASSY 66 CKT | A | 0 | 1458 | BLACK | AVAILABLE |
| 7 | MOLEX | 34822-0033 | 12672858 | 01SP13 | MX123 HRNS CONN ASSY 66 CKT | C | 0 | 2467 | BLUE | AVAILABLE |
| 8 | MOLEX | 34822-0023 | 12672857 | 01SP13 | MX123 HRNS CONN ASSY 66 CKT | A | 9 | 1458 | BLACK | AVAILABLE |
| 9 | MOLEX | 34822-0043 | 12672859 | 01SP13 | MX123 HRNS CONN ASSY 66 CKT | C | 9 | 2467 | BLUE | AVAILABLE |
| 10 | MOLEX | 34566-0103 | 12672860 | 11JN04 | MX123 HRNS CONN ASSY 73 CKT | A | 0 | 1458 | BLACK | AVAILABLE |
| 11 | MOLEX | 34566-0203 | 12672862 | 11JN04 | MX123 HRNS CONN ASSY 73 CKT | B | 0 | 1468 | ST GRAY | AVAILABLE |
| 12 | MOLEX | 34566-0303 | 12672864 | 09AP08 | MX123 HRNS CONN ASSY 73 CKT | C | 0 | 2467 | BLUE | AVAILABLE |
| 13 | MOLEX | 34566-0603 | 12672866 | 05DC14 | MX123 HRNS CONN ASSY 73 CKT | F | 0 | 1357 | NATURAL | AVAILABLE |
| 14 | MOLEX | 34566-1303 | 12672861 | 11JN04 | MX123 HRNS CONN ASSY 73 CKT | A | 9 | 1458 | BLACK | AVAILABLE |
| 15 | MOLEX | 34566-1403 | 12672863 | 11JN04 | MX123 HRNS CONN ASSY 73 CKT | B | 9 | 1468 | ST GRAY | AVAILABLE |
| 16 | MOLEX | 34566-1503 | 12672865 | 09AP08 | MX123 HRNS CONN ASSY 73 CKT | C | 9 | 2467 | BLUE | AVAILABLE |
| 17 | MOLEX | 34566-1803 | 12672867 | 05DC14 | MX123 HRNS CONN ASSY 73 CKT | F | 9 | 1357 | NATURAL | AVAILABLE |
| 18 | MOLEX | 34566-0703 | 12672872 | 09AP08 | MX123 HRNS CONN ASSY 80 CKT | G | 0 | 1358 | BLUE | AVAILABLE |
| 19 | MOLEX | 34566-0803 | 12672870 | 11JN04 | MX123 HRNS CONN ASSY 80 CKT | H | 0 | 2458 | ST GRAY | AVAILABLE |
| 20 | MOLEX | 34566-0903 | 12672868 | T.B.D | MX123 HRNS CONN ASSY 80 CKT | J | 0 | 2457 | BLACK | NOT ACTIVE |
| 21 | MOLEX | 34566-1903 | 12672873 | 09AP08 | MX123 HRNS CONN ASSY 80 CKT | G | 9 | 1358 | BLUE | AVAILABLE |
| 22 | MOLEX | 34566-2003 | 12672871 | 11JN04 | MX123 HRNS CONN ASSY 80 CKT | H | 9 | 2458 | ST GRAY | AVAILABLE |
| 23 | MOLEX | 34566-2103 | 12672869 | T.B.D | MX123 HRNS CONN ASSY 80 CKT | J | 9 | 2457 | BLACK | NOT ACTIVE |
| 24 | MOLEX | 34736-0028 | 12672851 | 01AU10 | MX64 RCPT TERM Ag 0.5mm/0.75mm ISO GAGE B (RIGHT PAYOFF) | N/A | N/A | N/A | N/A | AVAILABLE |
| 25 | MOLEX | 34736-0026 | 12672850 | 01AU10 | MX64 RCPT TERM Ag 0.35mm ISO GAGE B (RIGHT PAYOFF) | N/A | N/A | N/A | N/A | AVAILABLE |
| 26 | MOLEX | 34586-0001 | 12674820 | 11JN04 | MX123 0.64mm GROMMET PLUG | N/A | N/A | N/A | NATURAL | AVAILABLE |
| 27 | YAZAKI | 7116-4150-02 | 12588066 | 02JN03 | 2.8mm YESC SEALED FEMALE TERMINAL TIN 0.35mm2-0.50mm2 | N/A | N/A | N/A | N/A | NOT ACTIVE |
| 28 | YAZAKI | 7116-4151-02 | 12588067 | 02JN03 | 2.8mm YESC SEALED FEMALE TERMINAL TIN 0.75mm2-1.0mm2 | N/A | N/A | N/A | N/A | NOT ACTIVE |
| 29 | YAZAKI | 7116-4152-02 | 12582685 | 02JN03 | 2.8mm YESC SEALED FEMALE TERMINAL TIN 1.5mm2-2.5mm2 | N/A | N/A | N/A | N/A | AVAILABLE |
| 30 | YAZAKI | 7158-3111-60 | 12588068 | 02JN03 | 2.8mm CABLE SEAL (wire O.D. range 1.2mm-1.9mm) | N/A | N/A | N/A | GREEN | NOT ACTIVE |
| 31 | YAZAKI | 7158-3112-70 | 12588069 | 02JN03 | 2.8mm CABLE SEAL (wire O.D. range 1.8mm-2.3mm) | N/A | N/A | N/A | YELLOW | NOT ACTIVE |
| 32 | YAZAKI | 7158-3113-40 | 12582686 | 02JN03 | 2.8mm CABLE SEAL (wire O.D. range 2.1mm-3.0mm) | N/A | N/A | N/A | WHITE | AVAILABLE |
| 33 | YAZAKI | 7158-3114-90 | 12674821 | 02JN03 | 2.8mm YESC CAVITY PLUG | N/A | N/A | N/A | BLUE | AVAILABLE |
| 34 | MOLEX | 63825-8400 | N/A | 02JN03 | MX64 TERM HAND CRIMP TOOL | N/A | N/A | N/A | N/A | AVAILABLE |
| 35 | MOLEX | 63813-1400 | XX019826 | 02JN03 | MX64 TERM SERVICE TOOL | N/A | N/A | N/A | N/A | AVAILABLE |
| 36 | MOLEX | 63902-5300 | N/A | 02JN03 | MX64 CRIMP APPLICATOR with TOOL KIT 0.5/0.75mm2 PAYOFF DIRECTION D (left payoff) (contact Molex for payoff detail) | N/A | N/A | N/A | N/A | AVAILABLE |
| 37 | MOLEX | 63902-5370 | N/A | 02JN03 | MX64 APPLICATOR TOOL KIT 0.5/0.75mm2 | N/A | N/A | N/A | N/A | AVAILABLE |
| 38 | MOLEX | 63902-5100 | N/A | 02JN03 | MX64 CRIMP APPLICATOR with TOOL KIT 0.35mm2 PAYOFF DIRECTION D (left payoff) (contact Molex for payoff detail) | N/A | N/A | N/A | N/A | AVAILABLE |
| 39 | MOLEX | 63902-5170 | N/A | 02JN03 | MX64 APPLICATOR TOOL KIT 0.35mm2 | N/A | N/A | N/A | N/A | AVAILABLE |
| 40 | SPX | J35616-64 | T.B.D. | 02JN03 | 0.64mm PROBE TOOL (for rcpt) | N/A | N/A | N/A | N/A | AVAILABLE |
| 41 | SPX | J35616-64A | T.B.D. | 02JN03 | 0.64mm PROBE TOOL WITH EXT (for rcpt) | N/A | N/A | N/A | N/A | AVAILABLE |
| 42 | SPX | J35616-65 | T.B.D. | 02JN03 | 0.64mm PROBE TOOL WITH EXT (for pin) | N/A | N/A | N/A | N/A | AVAILABLE |
| 43 | SPX | J35616-4A | T.B.D. | 02JN03 | 2.8mm PROBE TOOL (for rcpt) | N/A | N/A | N/A | N/A | AVAILABLE |
| 44 | YAZAKI | X39899-J374 | 12094430 | 02JN03 | 2.8mm TERM SERVICE TOOL | N/A | N/A | N/A | N/A | AVAILABLE |
| 45 | TQI | 7000-1006 | N/A | 15JN15 | 52 CKT PASS THROUGH ADAPTERS | N/A | N/A | N/A | BLACK | AVAILABLE |
| 46 | TQI | 7000-1002 | N/A | 15JN15 | 66 CKT PASS THROUGH ADAPTERS | N/A | N/A | N/A | BLACK | AVAILABLE |
| 47 | TQI | 79917-0061 | N/A | 15JN15 | 73 CKT PASS THROUGH ADAPTERS | N/A | N/A | N/A | BLACK | AVAILABLE |
| 48 | TQI | 79917-0066 | N/A | 15JN15 | 80 CKT PASS THROUGH ADAPTERS | N/A | N/A | N/A | BLACK | AVAILABLE |

* - MX123 DRESS COVER 52/66/73/80 CKT MATES TO ANY MX123 HARN CONN ASSY SHOWN ON TABLE ABOVE



PAGE TITLE
COMPONENT TABLE

DRAWING NUMBER

12672833

DWG STATUS

ST REV PDI

R 001

PAGE NUMBER

5 OF 22

NOTES: UNLESS OTHERWISE SPECIFIED

1. MATERIAL FOR INTERFACE:


- A. RESIN:
 - 1. 30% G.F. PBT; 20% MAX. (BY WEIGHT) REGRIND.
 - 2. MATING CONNECTOR INTERFACE PART COLOR MUST BE SAME AS MATCHING KEYED HARNESS CONNECTOR ASSEMBLY.
 - 3. MUST BE VALIDATED FOR INDIVIDUAL DEVICE APPLICATION REQUIREMENTS.
- B. 0.64MM PINS:
 - 1. BASE MATERIAL: COPPER ALLOY; CONDUCTIVITY >= 28% IACS AT 20°C; TENSILE STRENGTH >= 635 N/mm²; SURFACE ROUGHNESS R_a 6 MAX.
 - 2. PLATING FINISH: SILVER (Ag). PLATING TO BE 1.9-3.3 μm ELECTRODEPOSITED SEMI-BRIGHT SILVER OVER 1.25-2.25 μm DUCTILE SULPHAMATE NICKEL PER NOTE 1(D).
 - 3. ANTI-TARNISH: SYNTHETIC HYDROCARBON CONTACT SURFACE FINISH OR EQUIVALENT APPLIED WITHOUT VOID TO CONTACT AREA (MIN 3.7mm FROM PIN TIP).
- C. 2.8MM BLADE:
 - 1. BASE MATERIAL: COPPER ALLOY; CONDUCTIVITY >= 28% IACS AT 20°C; TENSILE STRENGTH >= 350 N/mm²; SURFACE ROUGHNESS R_a 6 MAX.
 - 2. PLATING FINISH: TIN. PLATING TO BE 2.5-5.0 μm ELECTRODEPOSITED TIN, MATTE FINISH OVER 1.25-2.5 μm DUCTILE SULPHAMATE NICKEL PER NOTE 1(D).
- D. PLATING REQUIREMENTS:
 - 1. SILVER PLATING
 - a. 99.5% PURE SEMI-BRIGHT WITH NO ORGANIC BRIGHTNERS OR CHROMATES.
 - 2. NICKEL PLATING
 - a. ELECTRODEPOSITED DUCTILE SULFAMATE NICKEL WITH A NON-BRIGHTENED FINISH. NO ORGANIC OR BRIGHTENING AGENTS SHALL BE ALLOWED.
 - b. SHALL ONLY BE USED AS AN UNDERLYING PLATING AND MAY NOT BE USED AS AN ELECTRICAL CONTACT SURFACE PLATING.
 - c. SHALL BE NODULE FREE WHEN VIEWED AT 10X MAGNIFICATION IN MEASURED IN CONTACT SURFACE AREA PLUS 0.5MM PERIMETER AROUND THE CONTACT SURFACE AREA.
 - d. ALL PLATINGS SHALL HAVE A 1.0% MAXIMUM BY WEIGHT IMPURITIES. IMPURITIES ARE DEFINED AS ALL ELEMENTS NOT THE PRIMARY PLATING OR HARDENING AGENT IF APPLICABLE, AS DETERMINED BY WET CHEMICAL ANALYSIS OR AUGER METHOD. NO SINGLE IMPURITY SHALL EXCEED 0.1% MAXIMUM BY WEIGHT.
 - 3. TESTING
 - a. THICKNESS TO BE MEASURED IN CONTACT SURFACE AREA PLUS 0.5MM PERIMETER AROUND THE CONTACT SURFACE AREA AS DESIGNATED IN THE DRAWING. THICKNESS SHALL BE DETERMINED BY METHOD OF X-RAY (XRF).
 - b. PLATING ADHESION SHALL BE TESTED BY A BEND TEST FOR ALL METALS. THE TEST SAMPLE SHALL BE BENT 90 DEGREES TO DETERMINE DEPOSIT ADHESION. TESTING SHALL BE COMPLETED IN ACCORDANCE WITH ASTM SPEC B571.

2. DESIGN - GENERAL:

- A. THIS IS A 100% CAD GENERATED PART. THE CAD MATHEMATICAL DATA IS THE MASTER FOR THIS PART. FOR DIMENSIONAL OR ANY INFORMATION NOT SHOWN ON THIS DRAWING, ANALYZE THE CAD MODEL.
- B. TOLERANCES:
 - 1. LINEAR
 - 0.X ± 0.30
 - 0.XX ± 0.10
 - 0.XXX ± 0.10
 - 2. ANGULAR X° ± 3°
 - 3. 
- C. MINIMUM WALL THICKNESS REQUIRED: 1.3mm.
- D. CORNERS SHOWN AS SHARP TO BE R 0.2 MAX.
- E. LETTERING SHALL BE 0.15 MAX RAISED IN 0.20 MAX RECESS PAD. THIS INCLUDES MATERIAL CODE, RECYCLING CODE, CAVITY ID AND DATE CODE.
- F-1. PARTS MUST BE FREE OF DISCOLORATION, SALT RESIDUE AND OTHER IMPERFECTIONS THAT AFFECT FIT OR FUNCTION.
- F-2. SCRATCHES OR DENTS NOT TO EXCEED 0.013mm IN DEPTH.
- G. FOLLOWING PRODUCTION CODES TO BE PERMANENTLY MARKED & HUMAN READABLE TO A LETTER HEIGHT OF 1.5 ± 0.5MM X 0.3 MAX DEEP
 - 1. MATERIAL #: XXXXX-XXXX
 - 2. DATE CODE: JJYY (JULIAN DAY, LAST DIGIT OF YEAR)
 - 3. INSPECTION MACHINE CODE + SERIAL #: X_XXXXX

3. DESIGN - MANUFACTURING:

- A. DRAFT TO BE WITHIN TOLERANCE.
- B. ALLOWABLE FLASH MAX 0.2 HIGH X MAX 0.13 THICK.
- C. ALLOWABLE PARTING LINE MISMATCH 0.2 MAX.
- D. EJECTOR PINS MARK TO BE FLUSH TO 0.25 MAX DEPRESSED.
- E. ALLOWABLE GATE VESTIGE FLUSH TO 0.25 MAX PROTRUSION.
- F. NO EXTERNAL MOLD RELEASE AGENT ALLOWED DURING MANUFACTURING.
- G. STEEL THAT FORMS THE INDICATED SURFACE MUST BE POLISHED WITH A DIAMOND FINISH (SPI A-2) OVER THE FULL PERIPHERY OF THE TOOL. SURFACE MUST HAVE NO MISMATCH.
- H. ANY PROCESS LUBRICANT REMAINING ON THE TERMINAL MUST NOT VARNISH OR DEGRADE IT'S ELECTRICAL PERFORMANCE UP TO A MAXIMUM CLASS AMBIENT TEMPERATURE PER SAE USCAR-2 FOR 1008 HOURS. PROCESS LUBRICANTS SHOULD BE APPROVED BY THE RESPONSIBLE ENGINEER.
- J. OPTIONAL FEATURES PROVIDED FOR AUTOMATION.
- K. PART MUST BE FREE FROM BURRS AND SHARP EDGES, WHICH MIGHT BE DETRIMENTAL TO SATISFACTORY ASSEMBLY, SAFE HANDLING OR FUNCTION OF PART.
- L. PARTS AS DELIVERED TO ASSEMBLY SHALL BE CLEAN AND FREE OF DEBRIS, RESIDUAL ABRASIVE MATERIAL AND CORROSION PRODUCTS ADVERESLY AFFECTING FUNCTION OR APPEARENCE.
- M. RESTRICTED AND REPORTABLE SUBSTANCES FOR PARTS PER GMW3059.

| | | | | | | | |
|---|------------|----------------|------------|----|-----|-------------|---------|
|  | PAGE TITLE | DRAWING NUMBER | DWG STATUS | | | PAGE NUMBER | |
| | NOTES | | 12672833 | ST | REV | PDI | 6 OF 22 |
| | | | | R | 001 | | |

NOTES: UNLESS OTHERWISE SPECIFIED

4. SYSTEM REQUIREMENTS:

- A. HARNESS CONNECTOR IS COMPATIBLE WITH THE FOLLOWING ISO WIRE SIZE NO'S:
 0.35mm², MEETING GMW15626 - MIN OD OF 1.30MM
 0.50mm², MEETING GMW15626
 0.75mm², MEETING GMW15626 - MAX OD OF 2.06MM

B. CABLE TIE SPECIFICATIONS:

1. CABLE TIE:
 - TENSILE RATING: 220N / (50lbs) MIN
 - TIE LENGTH: 186mm MIN
 - TIE WIDTH: 4.75mm MAX
 - MATERIAL: NYLON
2. INSTALLATION:
 - CABLE TIE TENSION: 190N MIN
3. DRESSED WIRE BUNDLE PACKAGING: SEE FIG. 1

C. WHEN MATED WITH COMPONENT CONNECTOR INTERFACE AND/OR DRESS COVER, HARNESS CONNECTOR SYSTEM CONFORMS TO THE FOLLOWING:

1. SAE/USCAR-2, REV: 3 APRIL, 2001; CLASS 3
2. FIELD CORRELATED LIFE TEST, SAE/USCAR-20, NOV. 2001
3. GMW #3191 AUGUST 22, 2000 (DRAFT); TEMPERATURE CLASS 3, SEALING CLASS 1, VIBRATION CLASS 2
4. RESTRICTED AND REPORTABLE CHEMICALS PER GMW #3059, REV: D AUGUST 2002
5. TPA USER FORCES (FULLY POPULATED WITH TERMINALS)
 - a. REMOVAL FROM LOCK TO PRE-SET: <=120N

D. WIRE SPECIFICATIONS:

1. WIRE SURFACE MUST BE FREE OF SCRATCHES, GROOVES OR DENTS WHERE FUNCTIONAL

5. TERMINAL CURRENT RATINGS:

A. MX64 RCPT TERM

ALL TESTING DONE IN ACCORDANCE WITH USCAR-2 REV5 SECTION 5.3

1. MX64 RCPT TERM Ag 0.50/0.75mm² CRIMPED TO 0.75mm² ISO WIRE AND MATED TO MX123 0.64MM PIN: SEE TABLE BELOW
2. MX64 RCPT TERM Ag 0.35mm² CRIMPED TO 0.35mm² ISO WIRE AND MATED TO MX123 0.64MM PIN: SEE TABLE BELOW

| WIRE | CURRENT RATING | | | |
|---------------------|----------------|-------|-------|-------|
| | 23°C | 85°C | 105°C | 125°C |
| 0.75mm ² | 11.3A | 11.3A | 9.5A | 6.6A |
| 0.50mm ² | 10.0A | 10.0A | 8.3A | 5.7A |
| 0.35mm ² | 8.5A | 8.5A | 7.1A | 5.0A |

B. 2.8MM RCPT TERM

ALL TESTING DONE IN ACCORDANCE WITH MOLEX DVP&R 0279 (TR # 7125)

1. 2.8MM RCPT TERM TIN 2.0mm² CRIMPED TO 2.0mm² ISO WIRE AND MATED TO MX123 2.8MM BLADE: 25.6 AMPS AT 125°C

6. CONTACT MOLEX AUTOMOTIVE FOR AVAILABLE CUSTOM PATTERNS OF CAVITIES OPEN FOR CIRCUITS - SEE GM DRAWING 13507496



PAGE TITLE
NOTES

DRAWING NUMBER

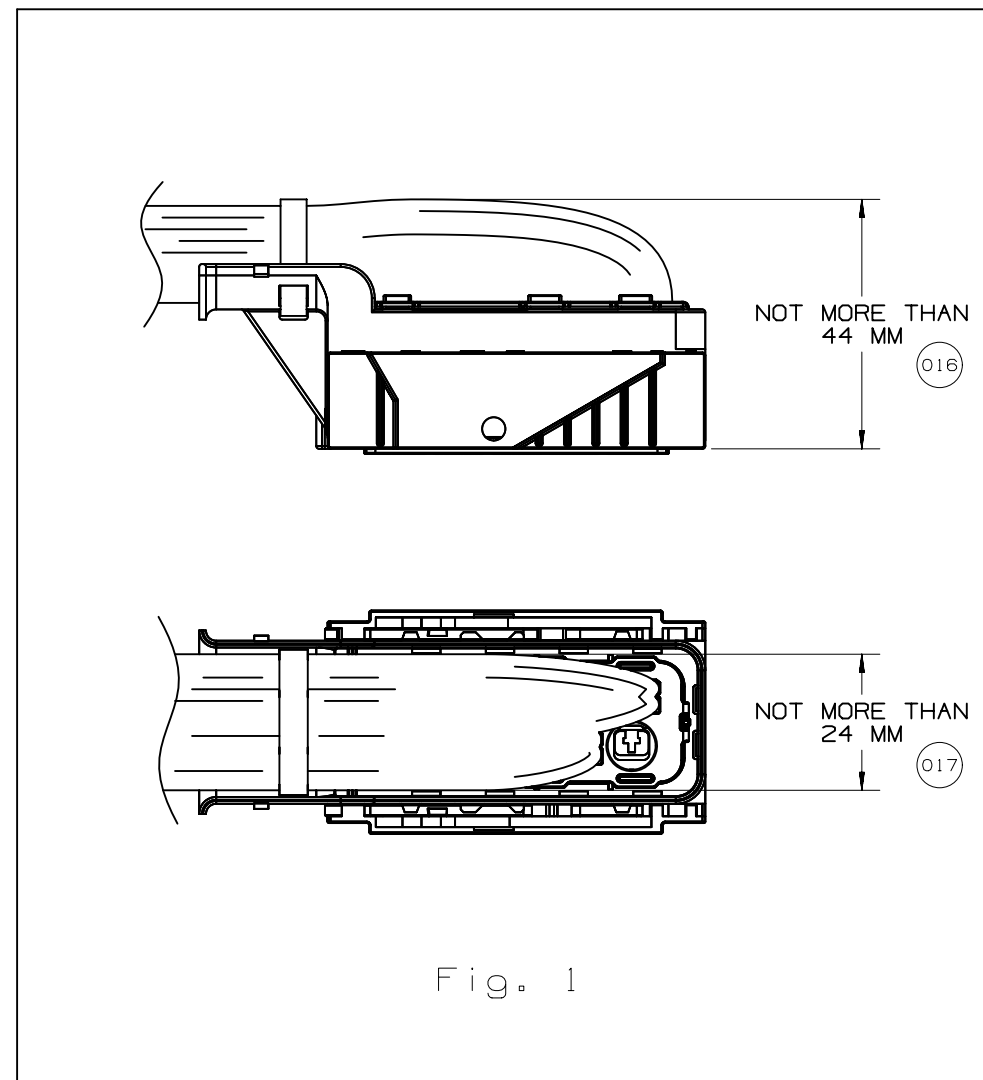
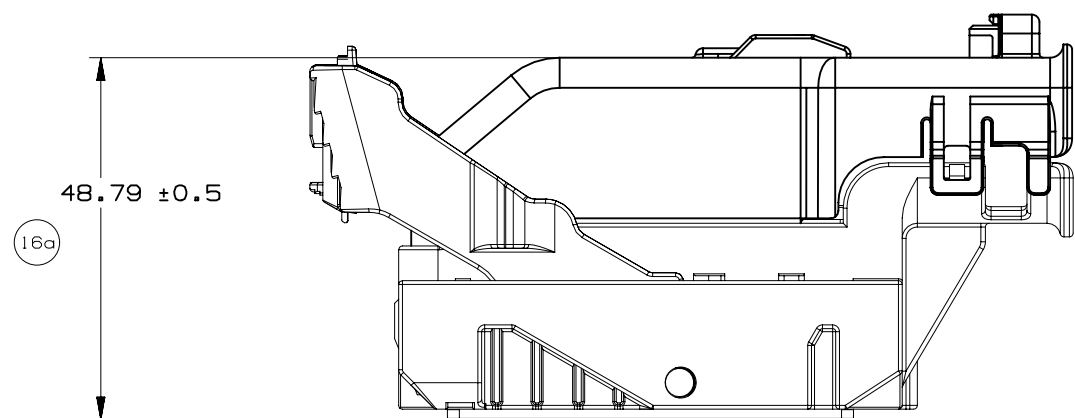
12672833

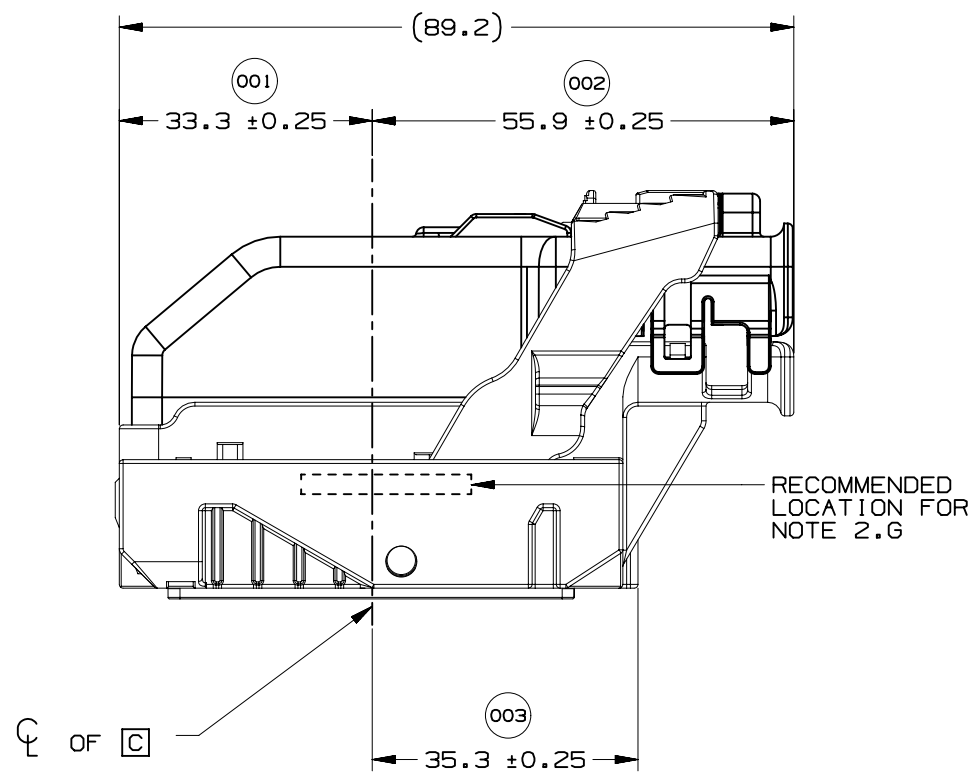
DWG STATUS

| ST | REV | PDI |
|----|-----|-----|
| R | 001 | |

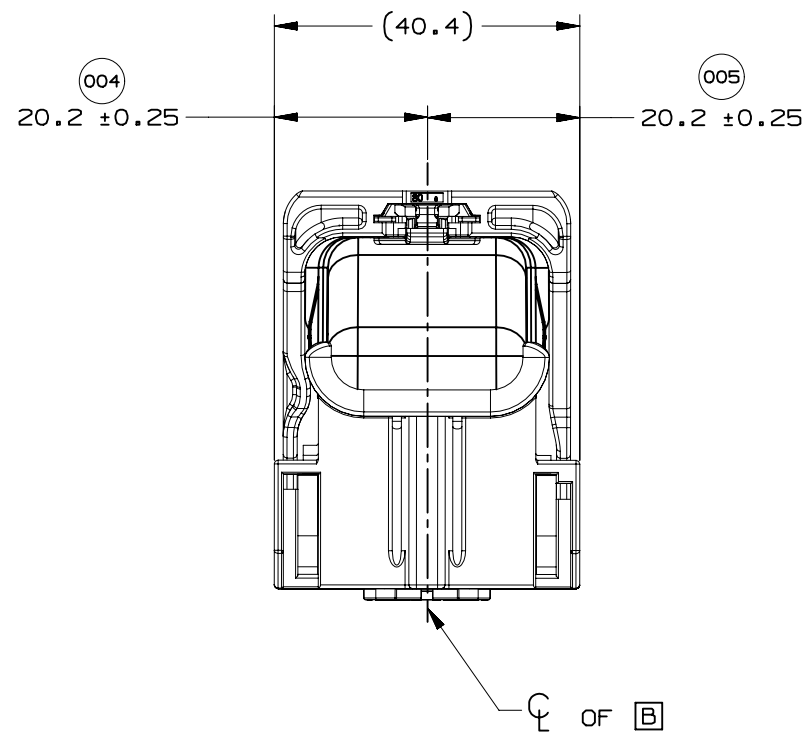
PAGE NUMBER

7 OF 22

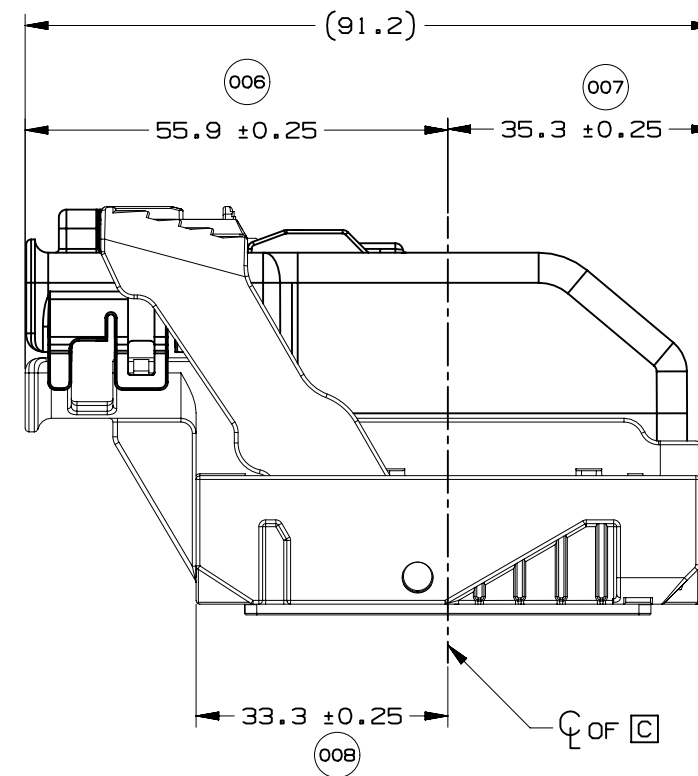




WIRE DRESS OPTION 0 SHOWN

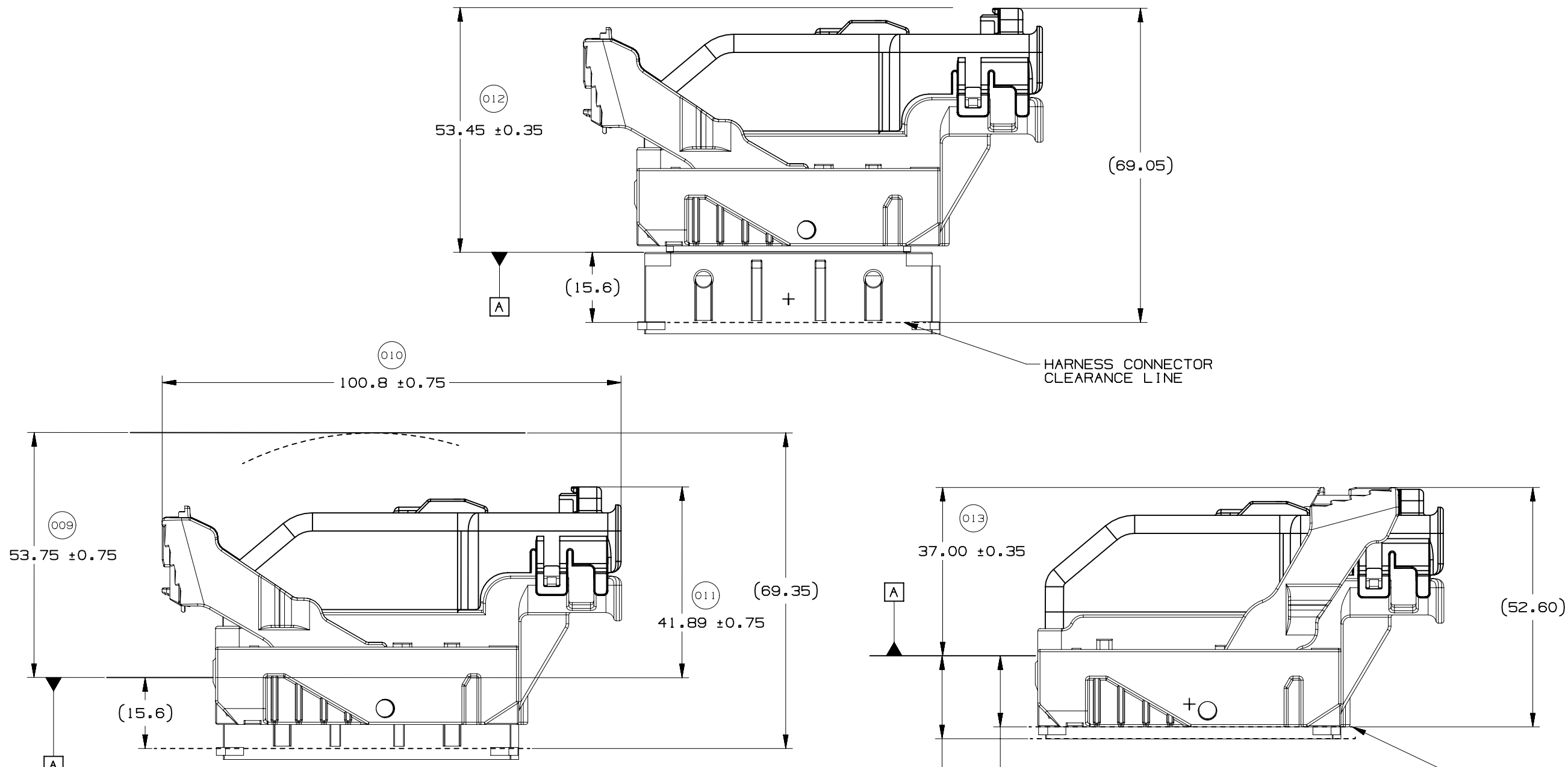


WIRE DRESS OPTION 0 SHOWN



WIRE DRESS OPTION 9 SHOWN





HARNESS CONNECTOR CLEARANCE LINE

HARNESS CONNECTOR ASSEMBLY IN FULLY-MATED POSITION

HARNESS CONNECTOR CLEARANCE LINE

15.6 MIN. ALL AROUND CLEARANCE REQUIRED FOR HARNESS CONNECTOR (014)

17.9 MIN. AT PAD LOCATION CLEARANCE REQUIRED FOR HARNESS CONNECTOR CONSTRUCTION BELOW THIS PLANE IS NOT CONTROLLED (015)

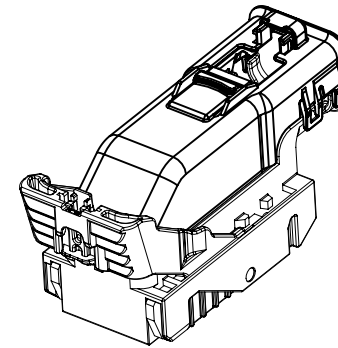
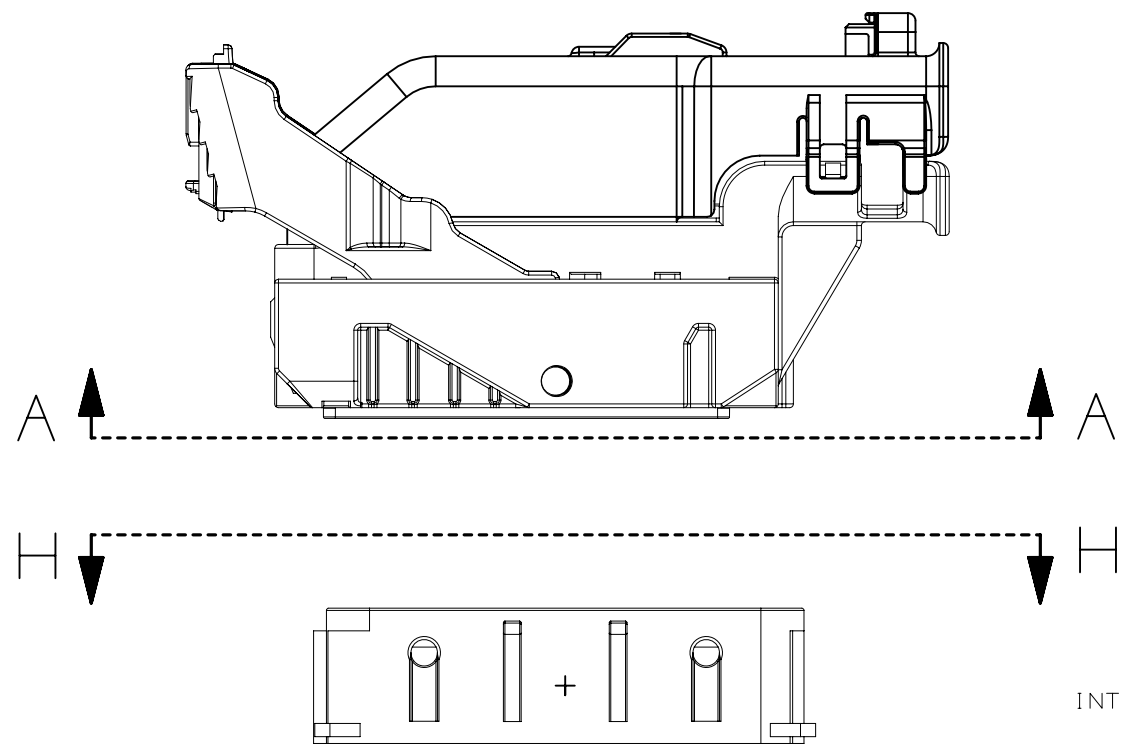


PAGE TITLE
 LOCATION AND PACKAGING DIMENSIONS
 REFERENCING INTERFACE DATUM A

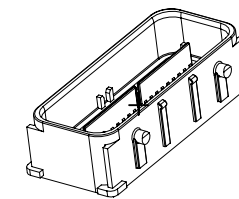
DRAWING NUMBER
 12672833

| DWG STATUS | | |
|------------|-----|-----|
| ST | REV | PD1 |
| R | 001 | |

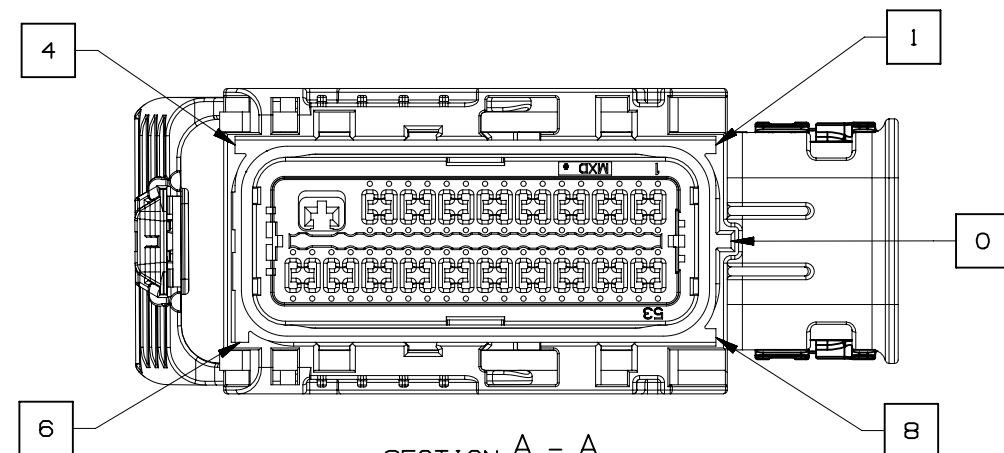
PAGE NUMBER
 10 OF 22



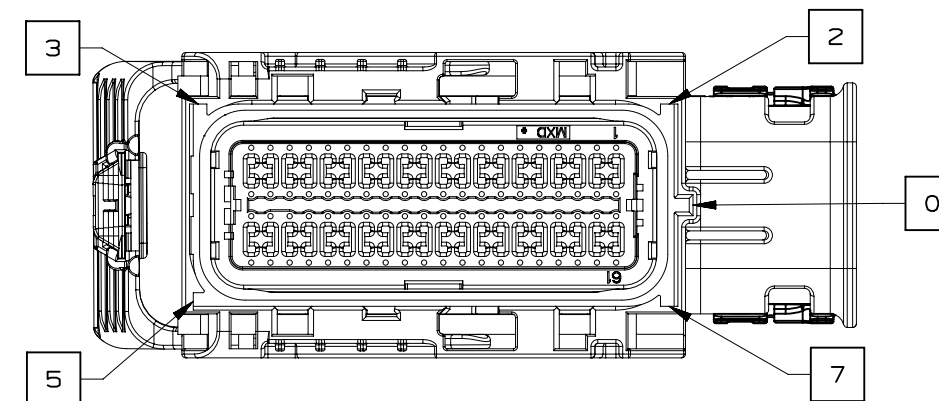
NOTE: REFERENCE THE COMPONENT TABLE FOR KEY OPTIONS AND CONFIGURATIONS



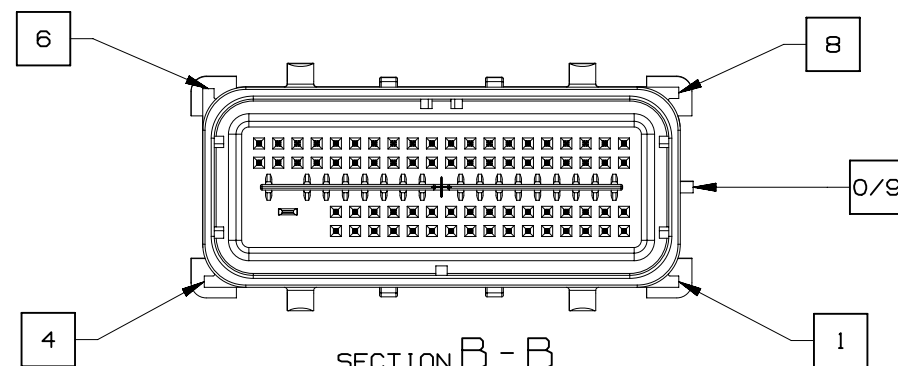
INTERFACE SIDE SHOWN ON ALL SECTION VIEWS



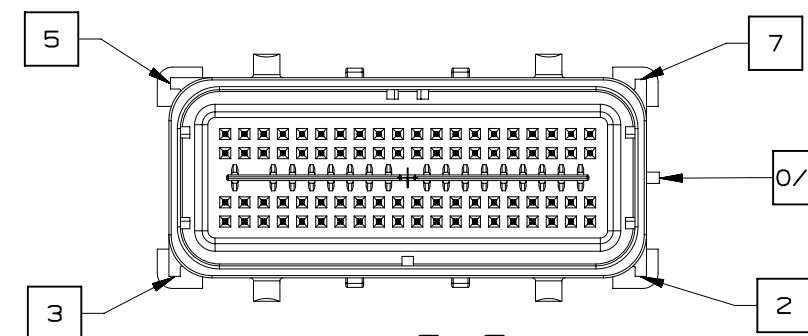
SECTION A - A
73 CKT HARNESS CONNECTOR ASSEMBLY
KEY OPTION B SHOWN



SECTION A - A
80 CKT HARNESS CONNECTOR ASSEMBLY
KEY OPTION K SHOWN



SECTION B - B
73 CKT HARNESS CONNECTOR ASSEMBLY
KEY OPTION B SHOWN



SECTION B - B
80 CKT HARNESS CONNECTOR ASSEMBLY
KEY OPTION K SHOWN

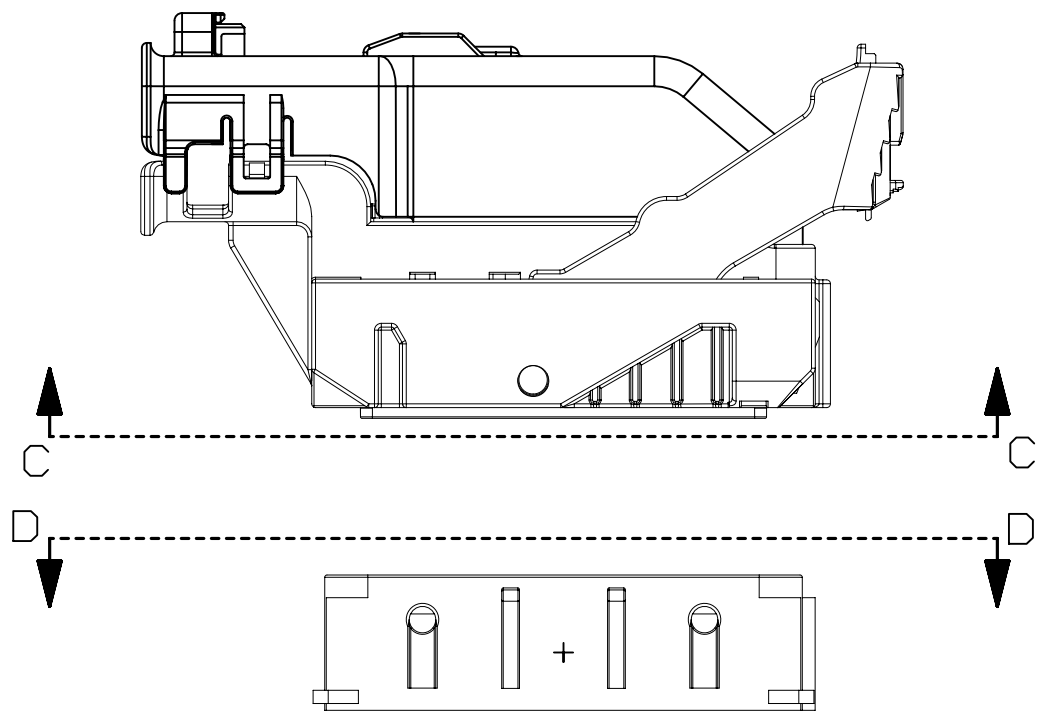


PAGE TITLE
KEY ID REF - WIRE DRESS OPTION 0

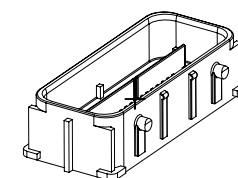
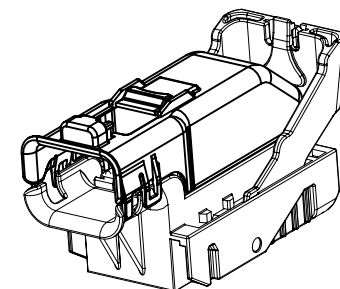
DRAWING NUMBER
12672833

| DWG STATUS | | |
|------------|-----|-----|
| ST | REV | PD1 |
| R | 001 | |

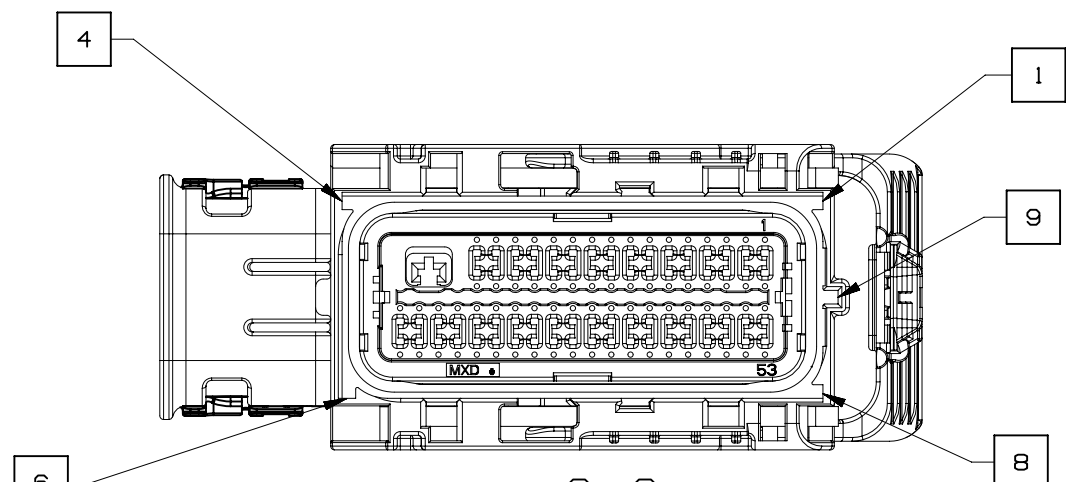
PAGE NUMBER
11 OF 22



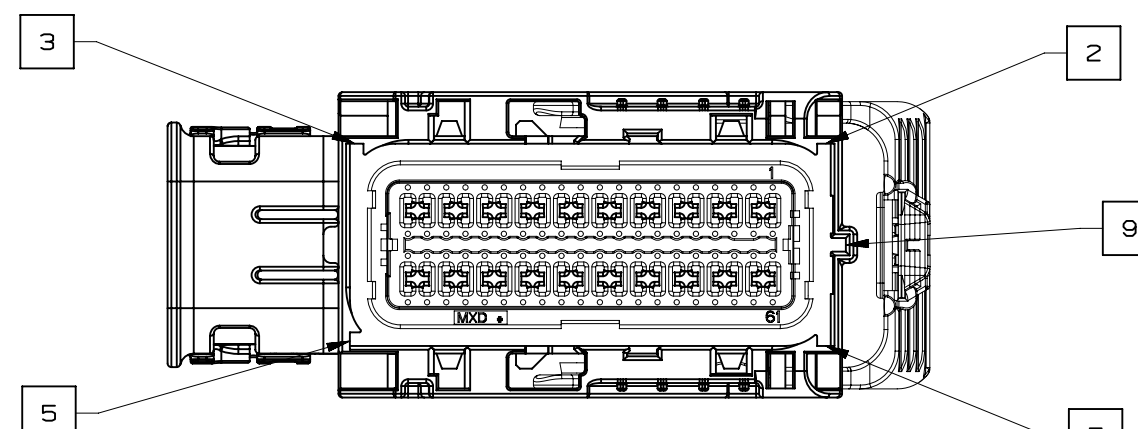
INTERFACE SIDE SHOWN ON ALL SECTION VIEWS



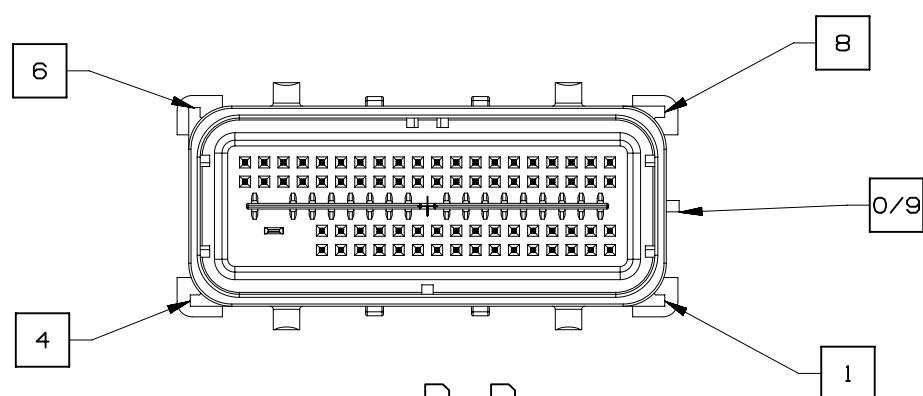
NOTE: REFERENCE THE COMPONENT TABLE FOR KEY OPTIONS AND CONFIGURATIONS



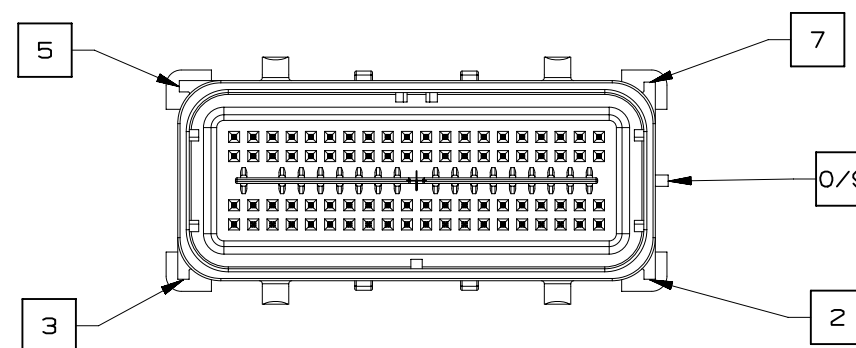
SECTION C - C
73 CKT HARNESS CONNECTOR ASSEMBLY
KEY OPTION B SHOWN



SECTION C - C
80 CKT HARNESS CONNECTOR ASSEMBLY
KEY OPTION K SHOWN



SECTION D - D
73 CKT HARNESS CONNECTOR ASSEMBLY
KEY OPTION B SHOWN



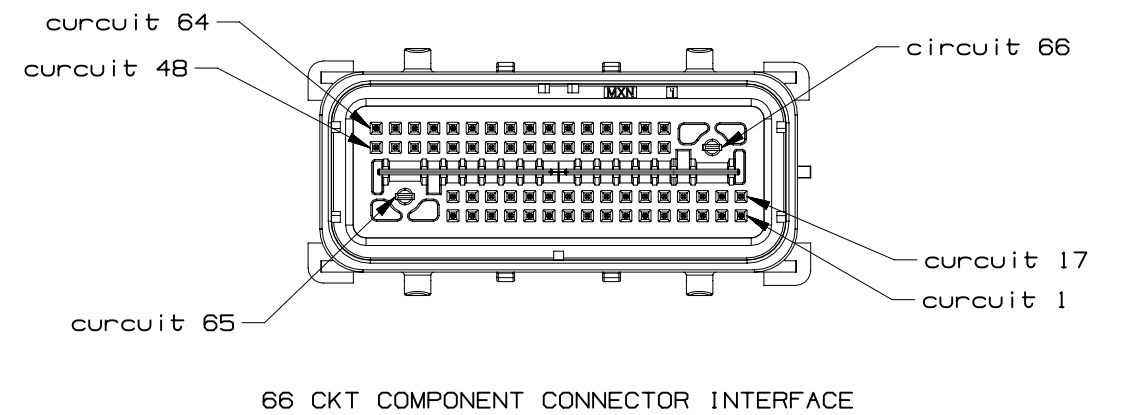
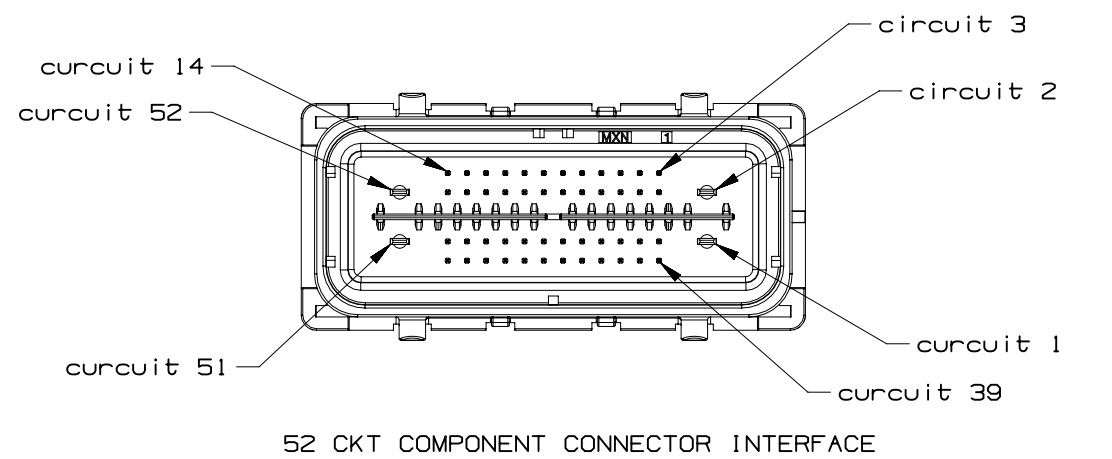
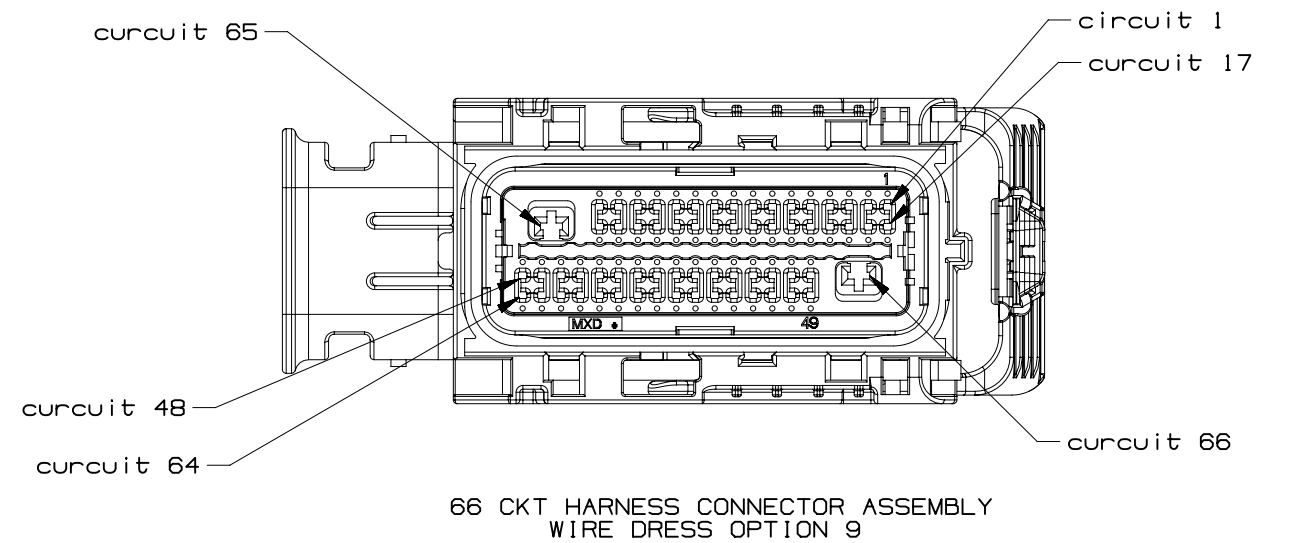
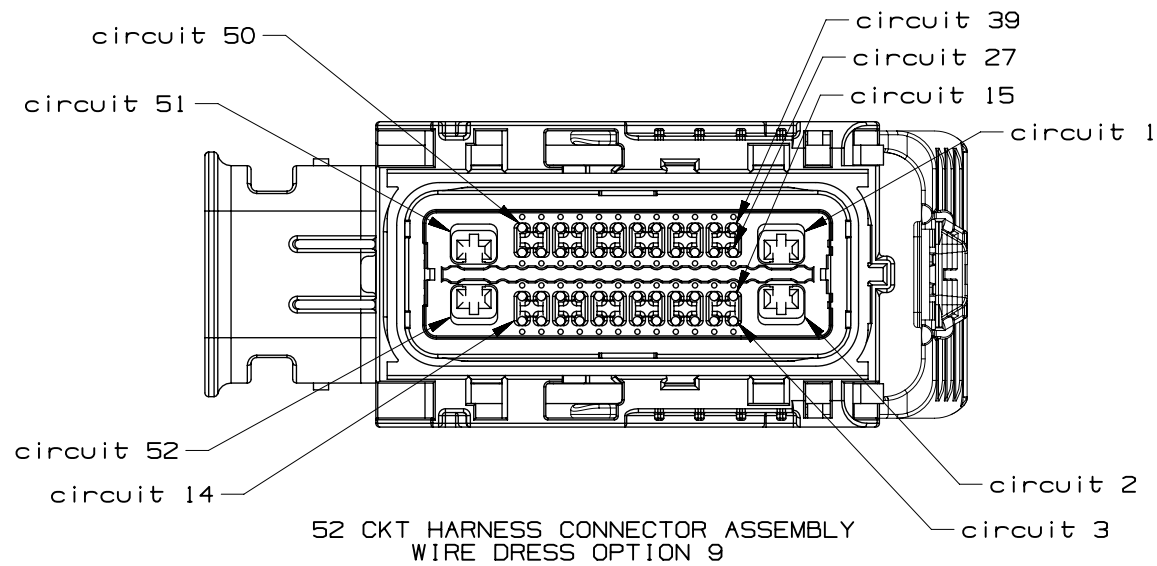
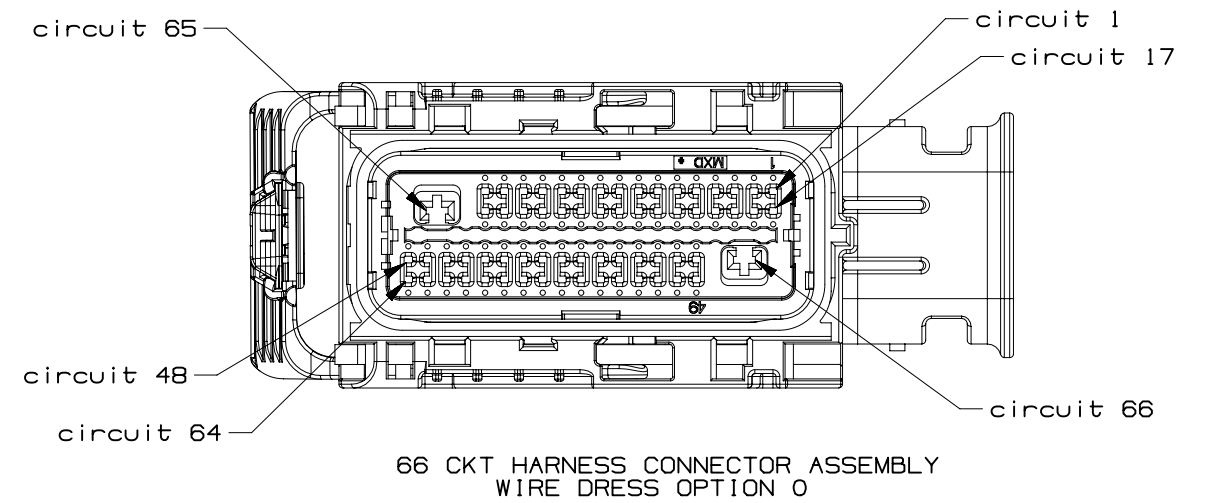
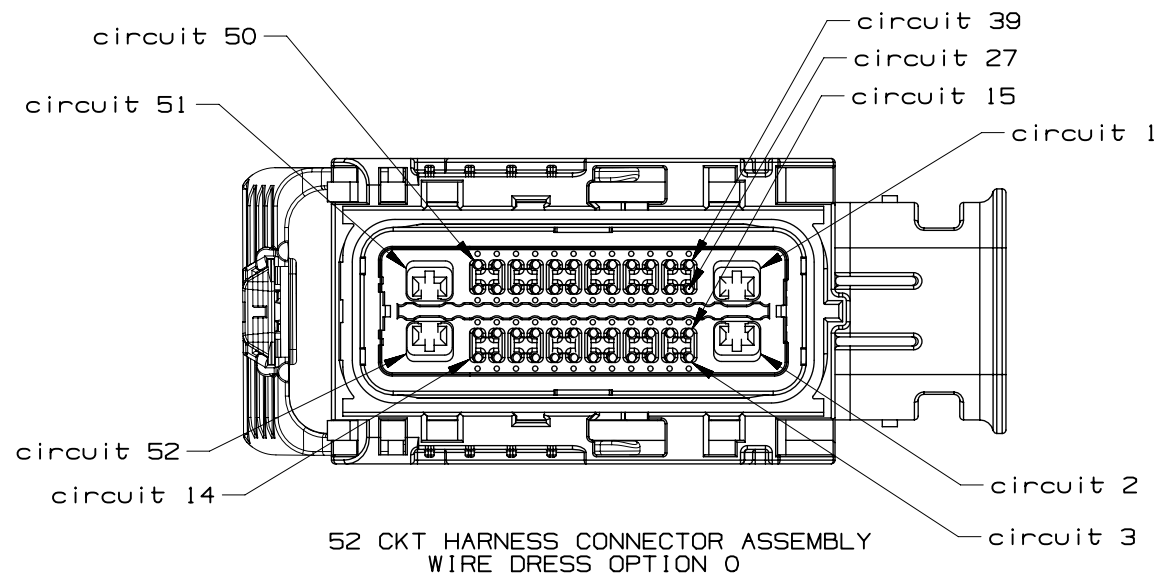
SECTION D - D
80 CKT HARNESS CONNECTOR ASSEMBLY
KEY OPTION K SHOWN

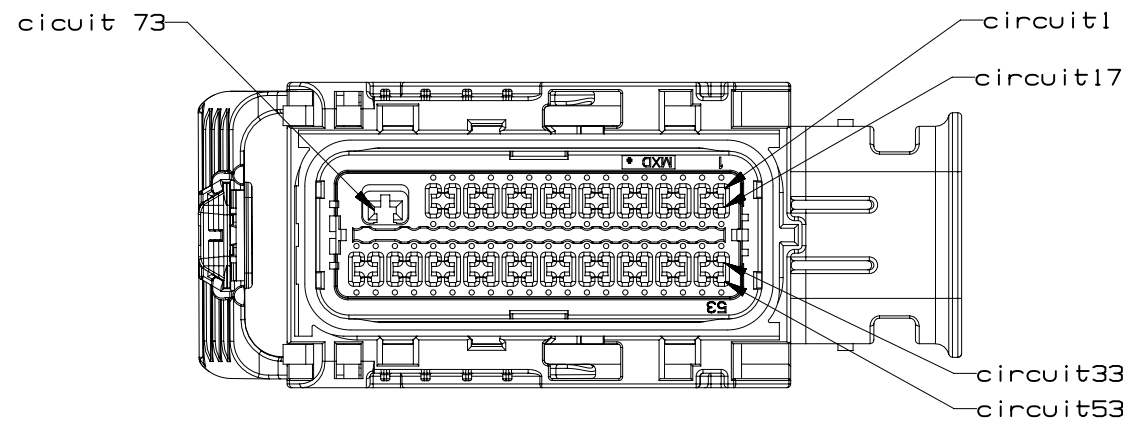


PAGE TITLE
KEY ID REF - WIRE DRESS OPTION 9

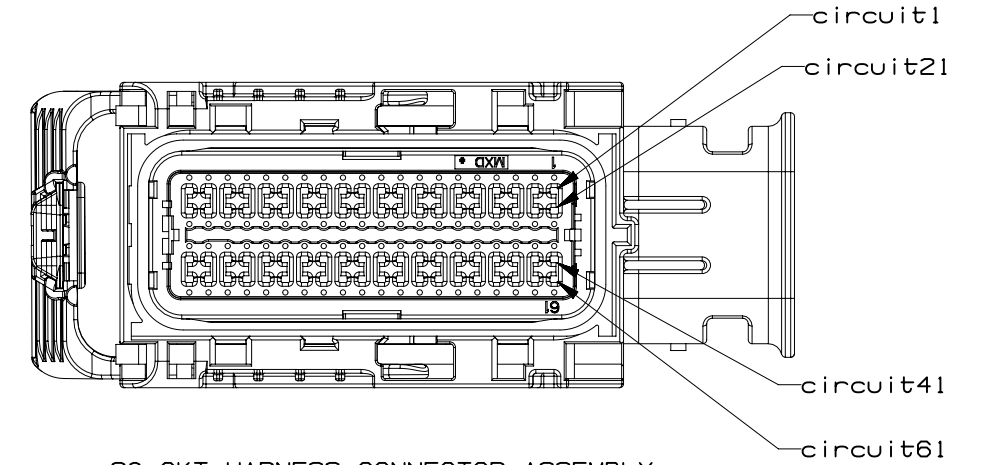
DRAWING NUMBER
12672833

| DWG STATUS | | | PAGE NUMBER |
|------------|-----|-----|-------------|
| ST | REV | PD1 | |
| R | 001 | | 12 OF 22 |



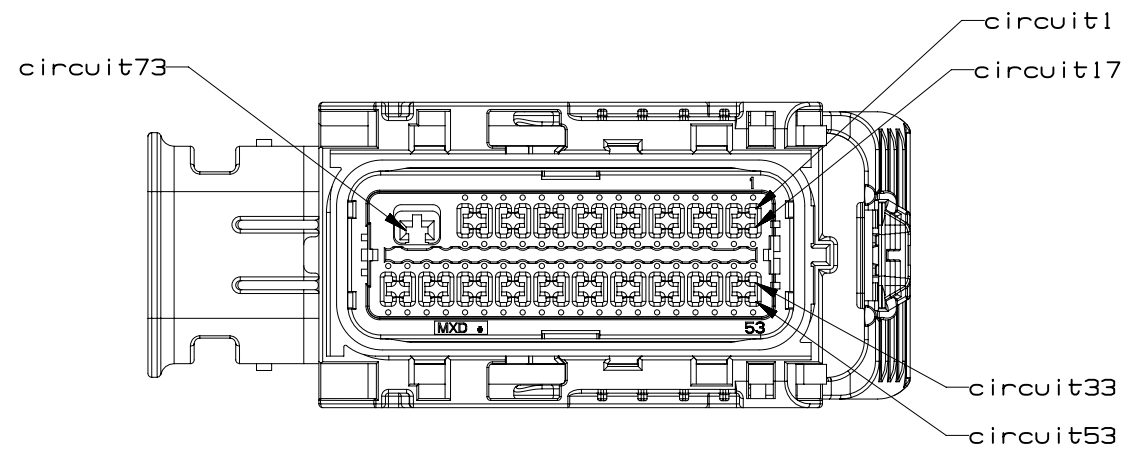


73 CKT HARNESS CONNECTOR ASSEMBLY
WIRE DRESS OPTION 0

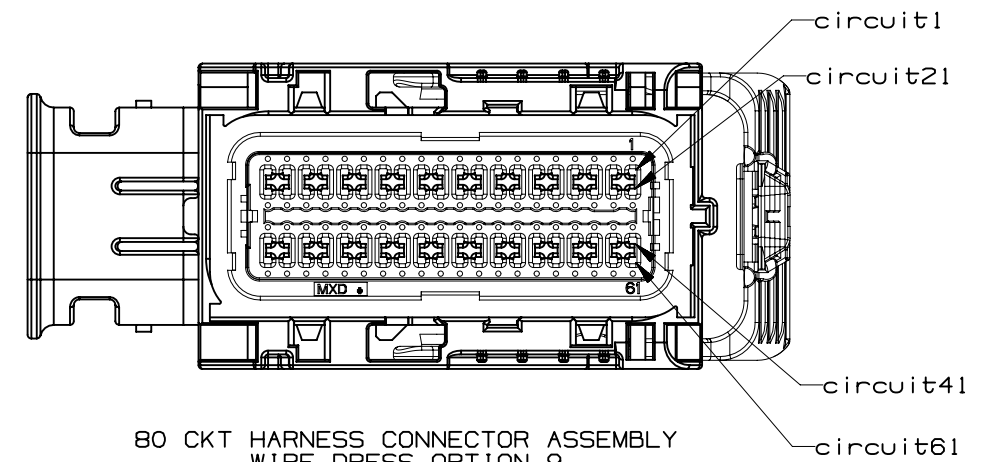


80 CKT HARNESS CONNECTOR ASSEMBLY
WIRE DRESS OPTION 0

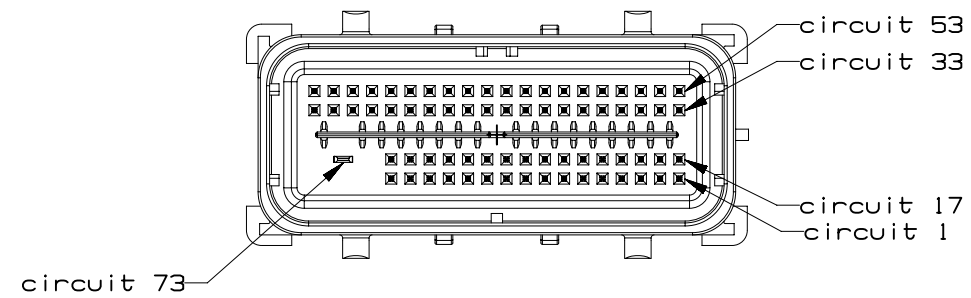
INTERFACE SIDE SHOWN ON ALL VIEWS



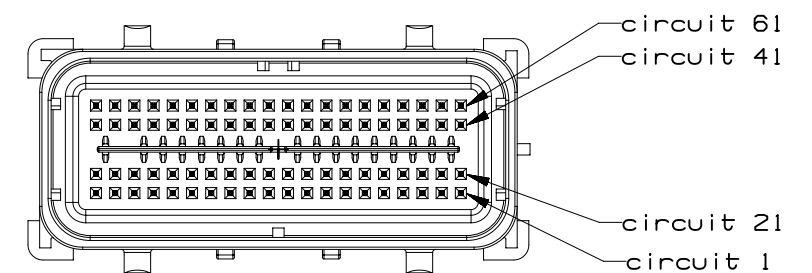
73 CKT HARNESS CONNECTOR ASSEMBLY
WIRE DRESS OPTION 9



80 CKT HARNESS CONNECTOR ASSEMBLY
WIRE DRESS OPTION 9

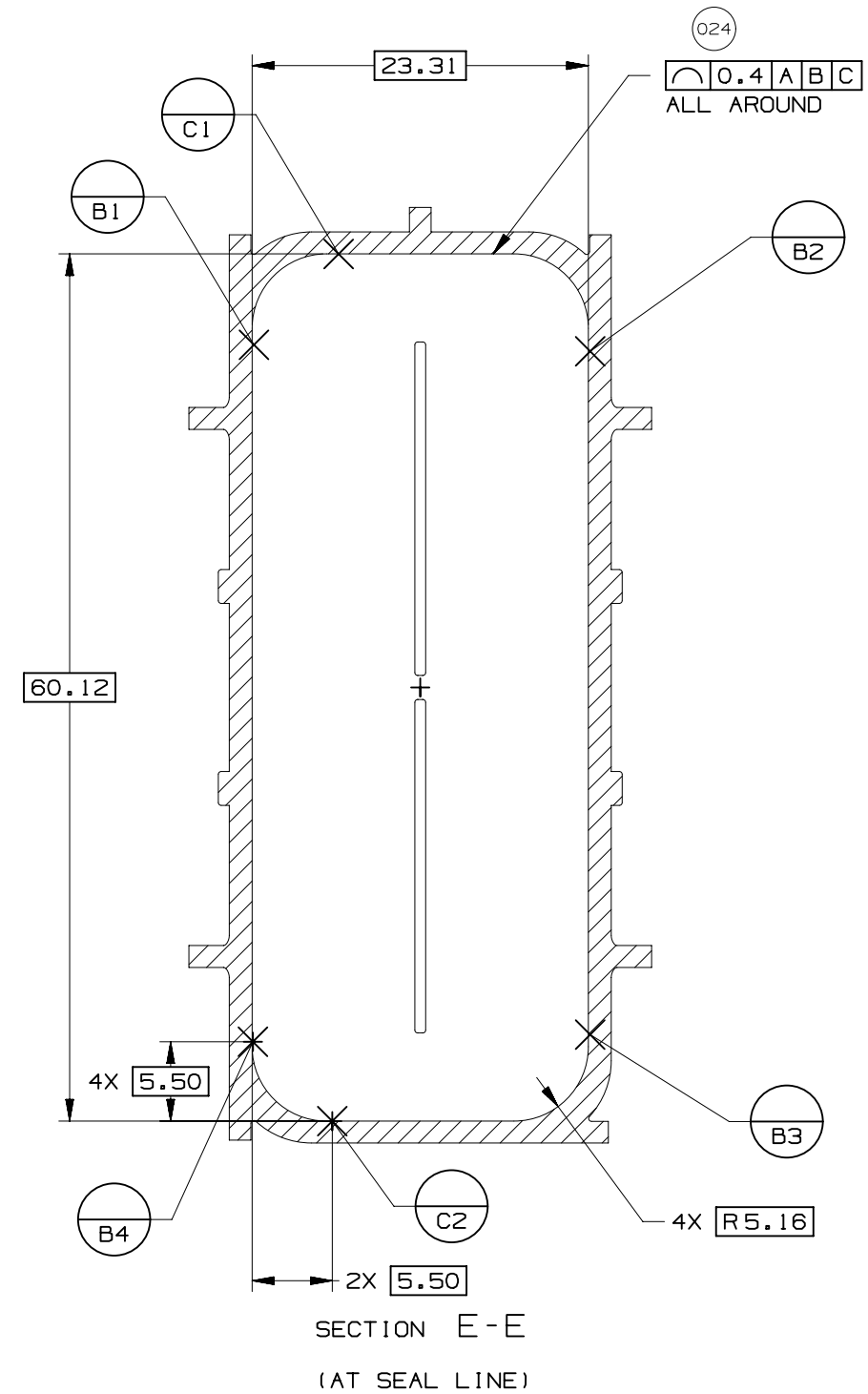
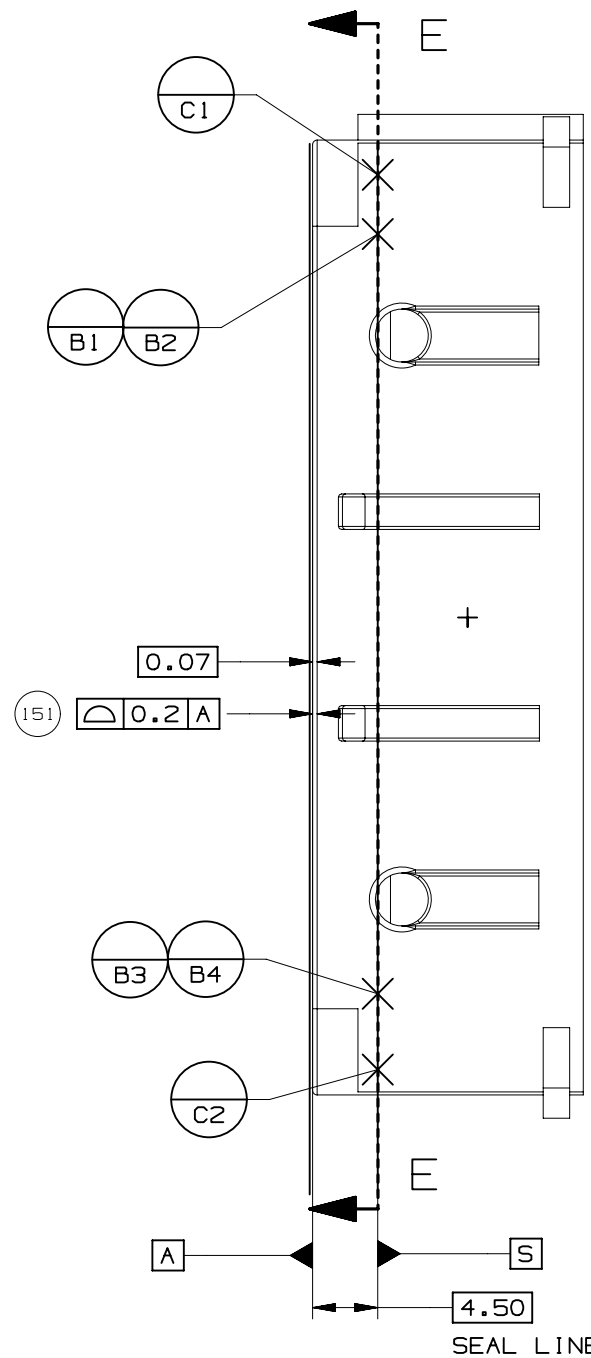
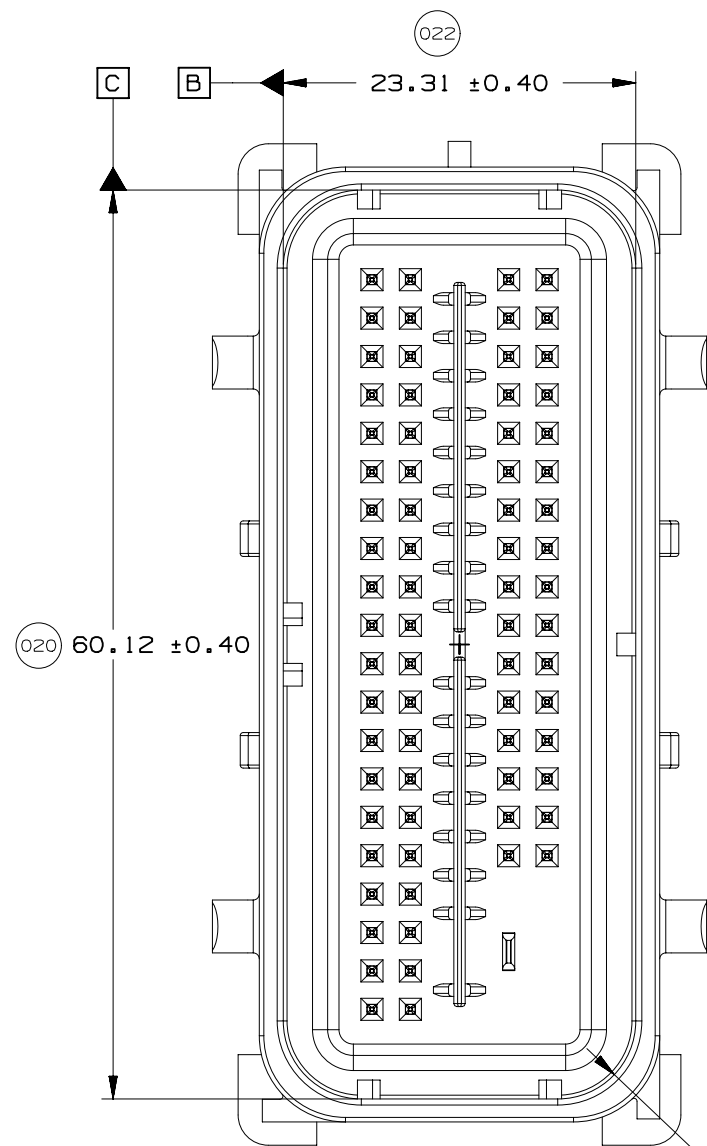
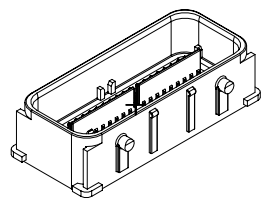


73 CKT COMPONENT CONNECTOR INTERFACE



80 CKT COMPONENT CONNECTOR INTERFACE





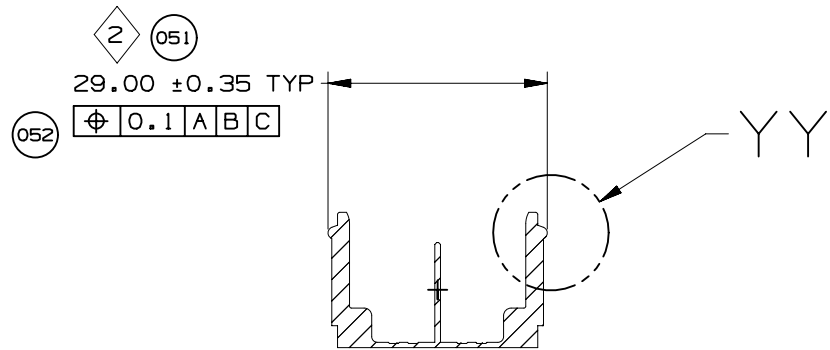
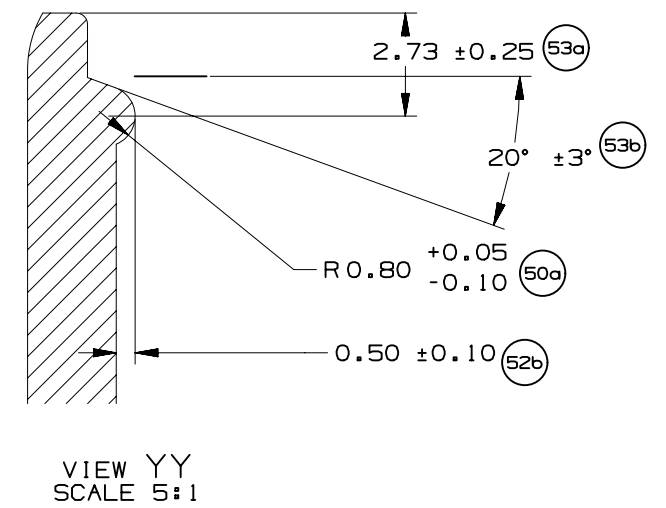
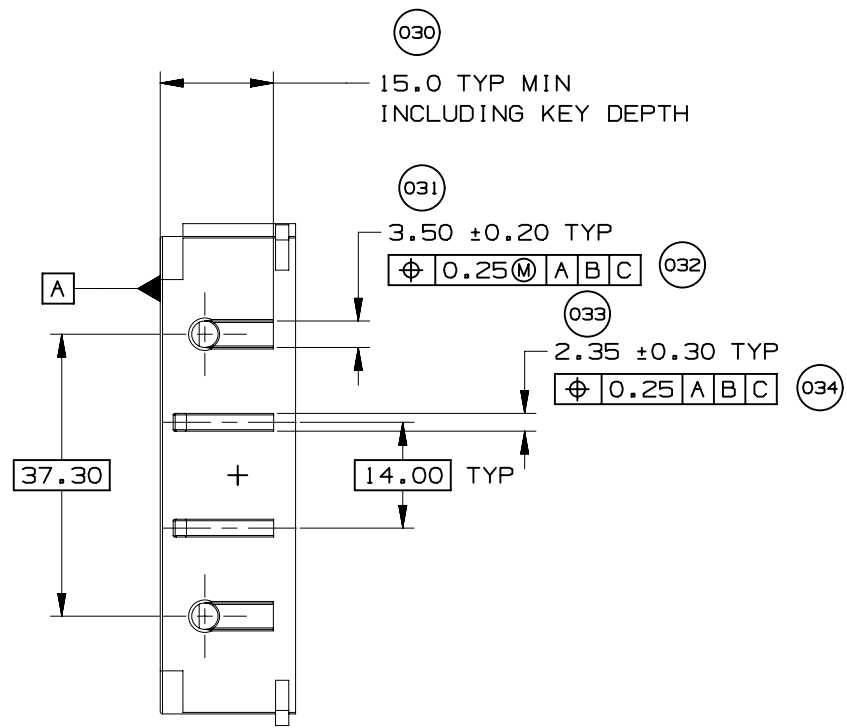
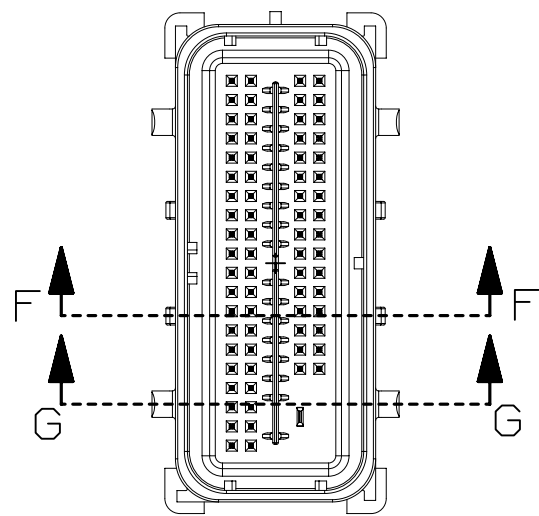
UNLESS SPECIFIED, TOLERANCE OF THE COMPONENT CONNECTOR INTERFACE TO BE 0.13 A B C



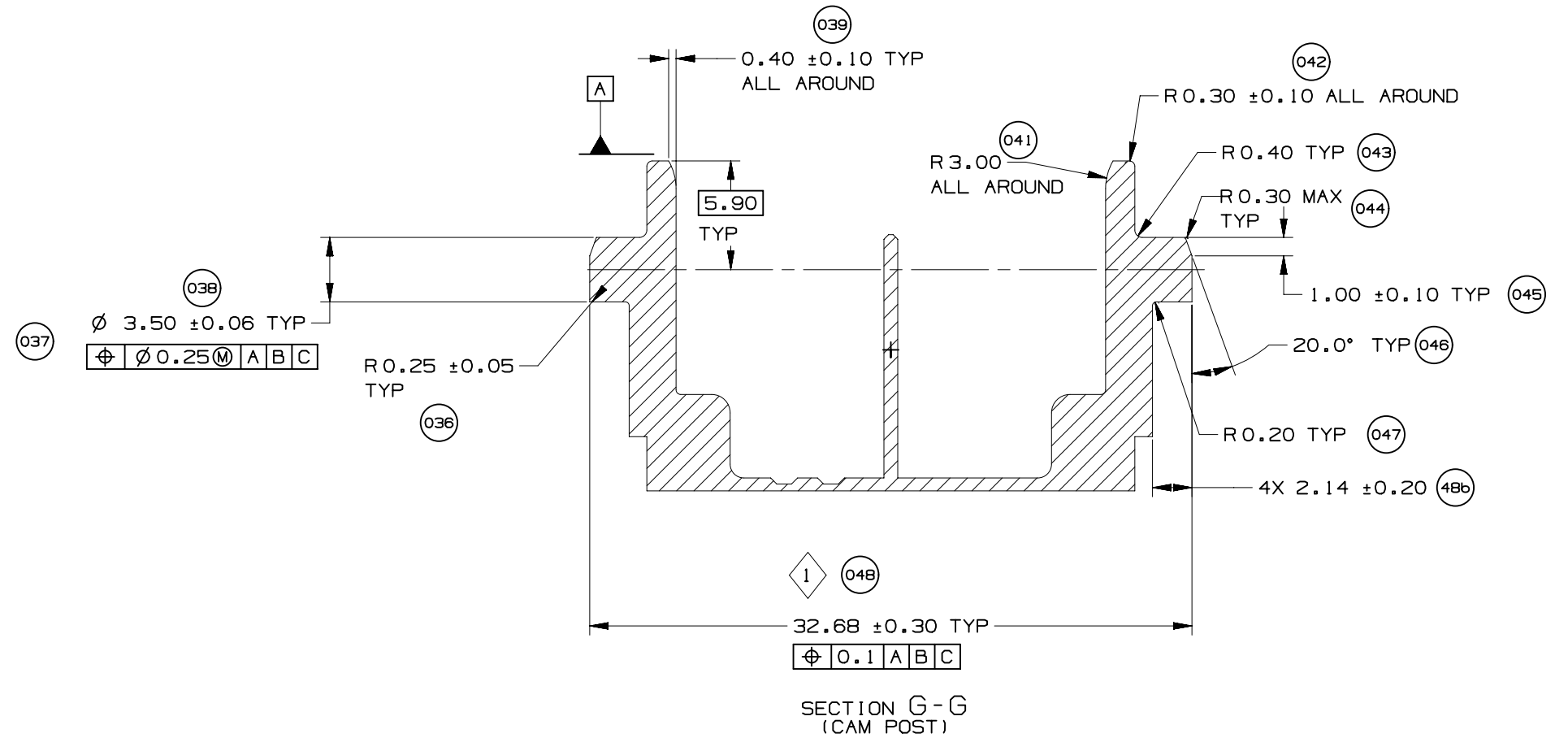
PAGE TITLE
COMPONENT CONNECTOR INTERFACE

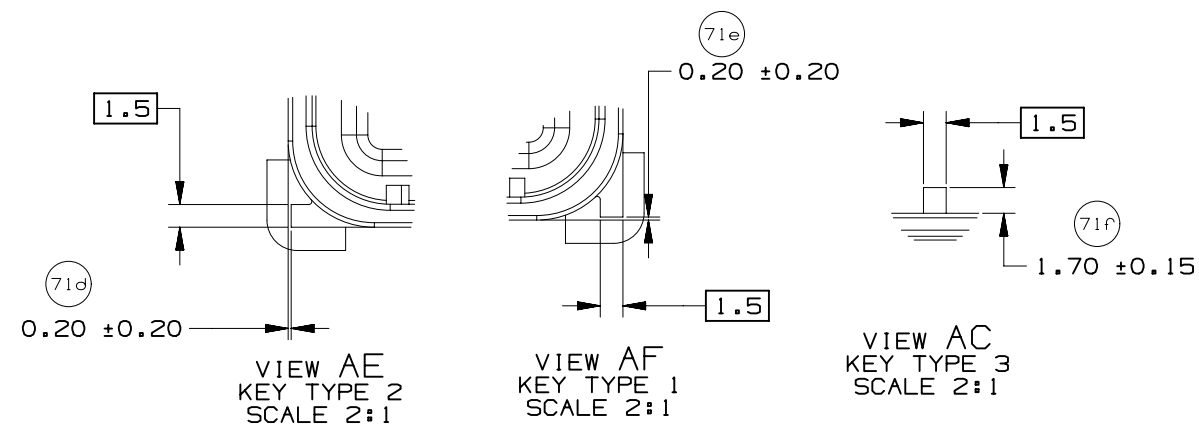
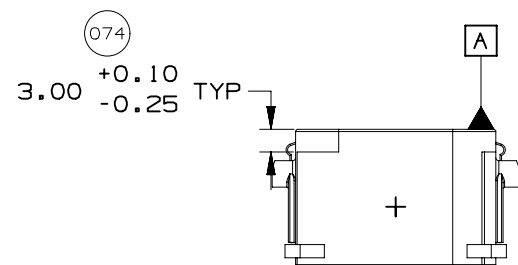
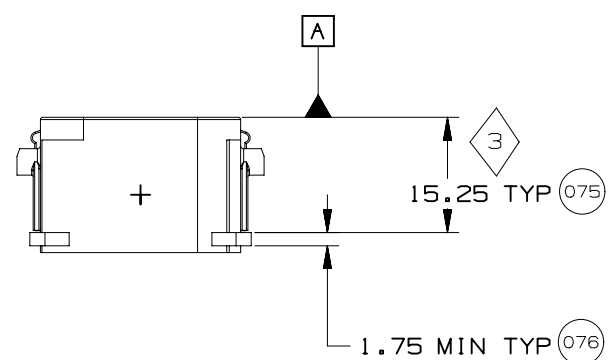
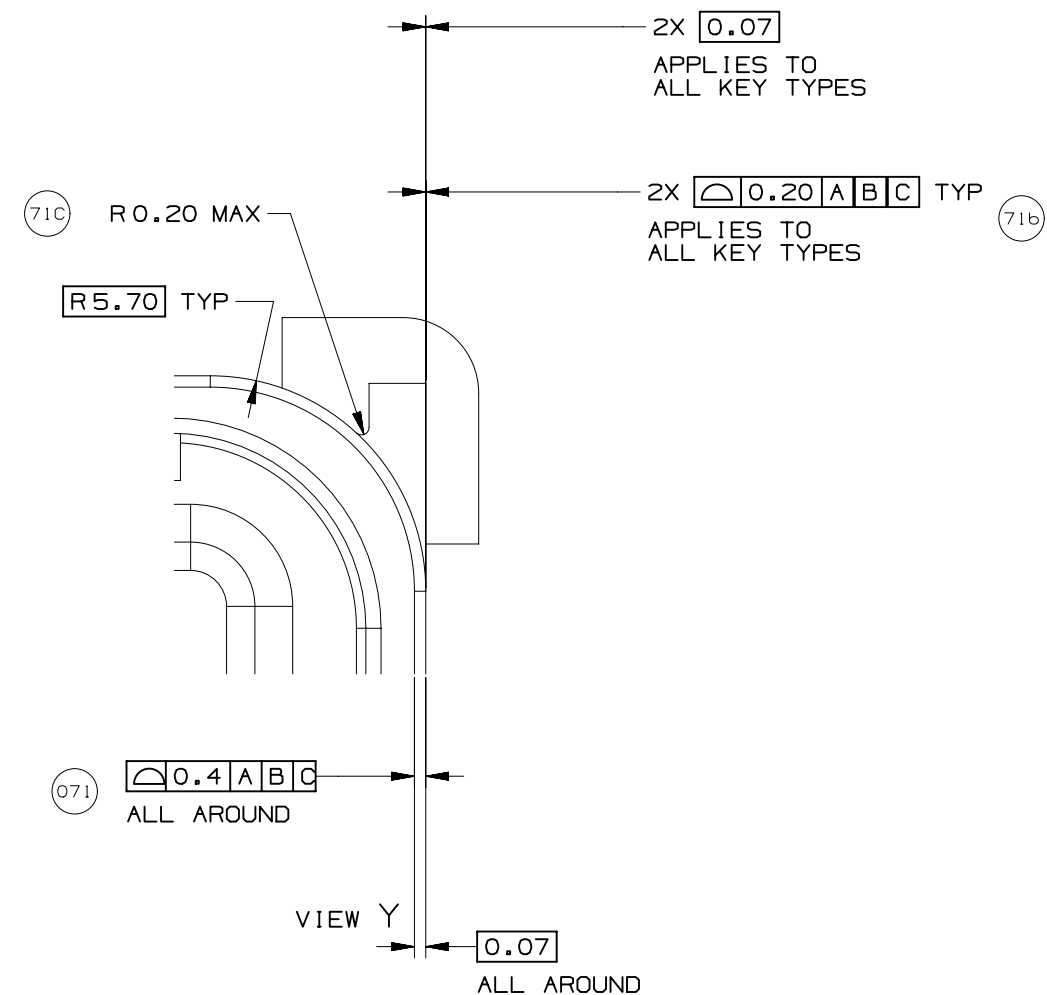
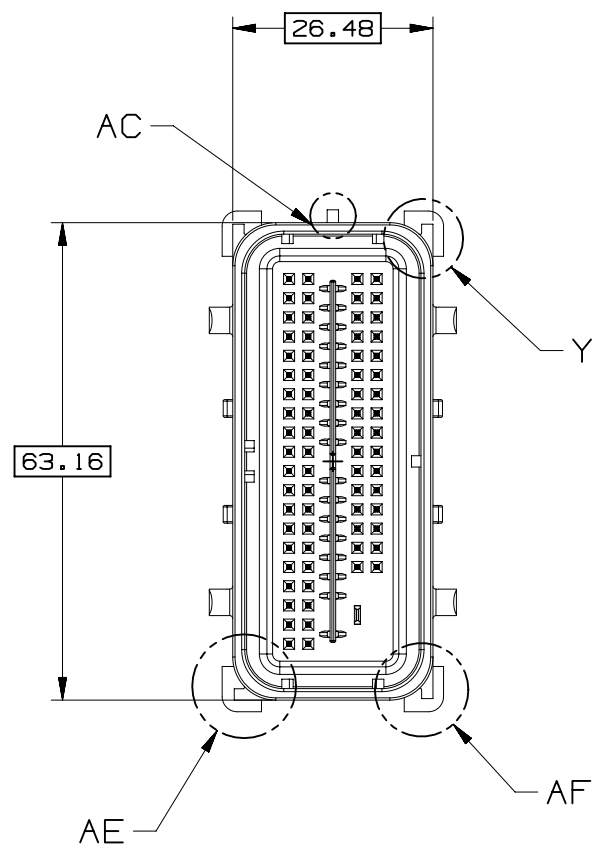
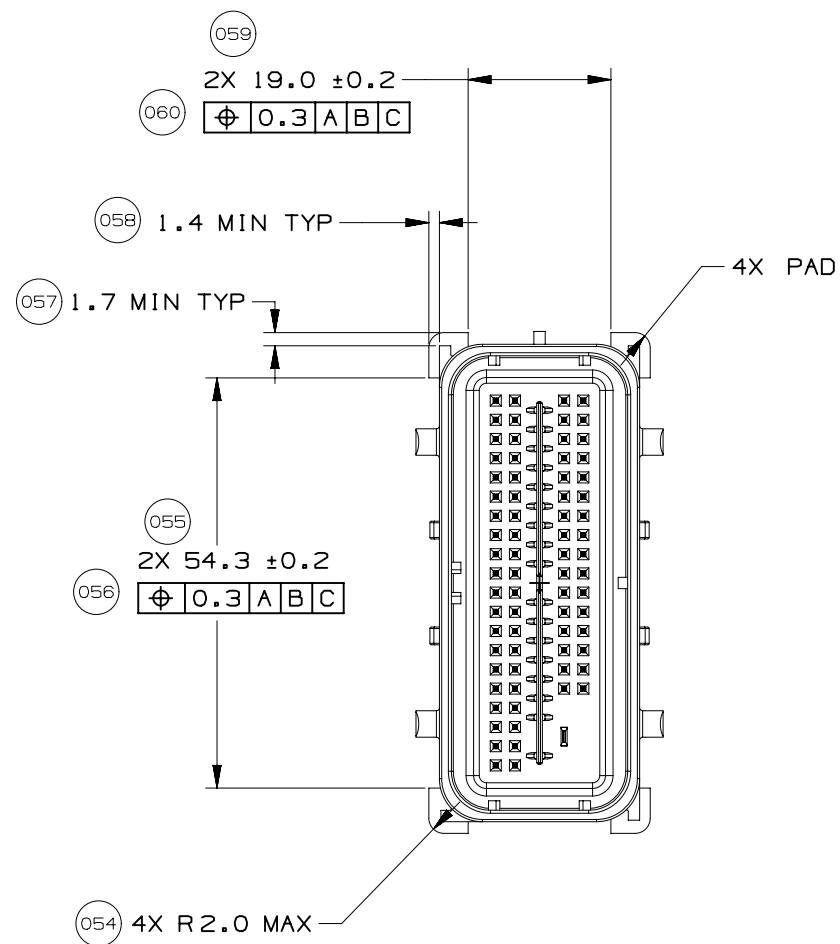
DRAWING NUMBER
12672833

| DWG STATUS | | | PAGE NUMBER |
|------------|-----|-----|-------------|
| ST | REV | PD1 | |
| R | 001 | | 15 OF 22 |



SECTION F-F
(RELEASE FEATURE)

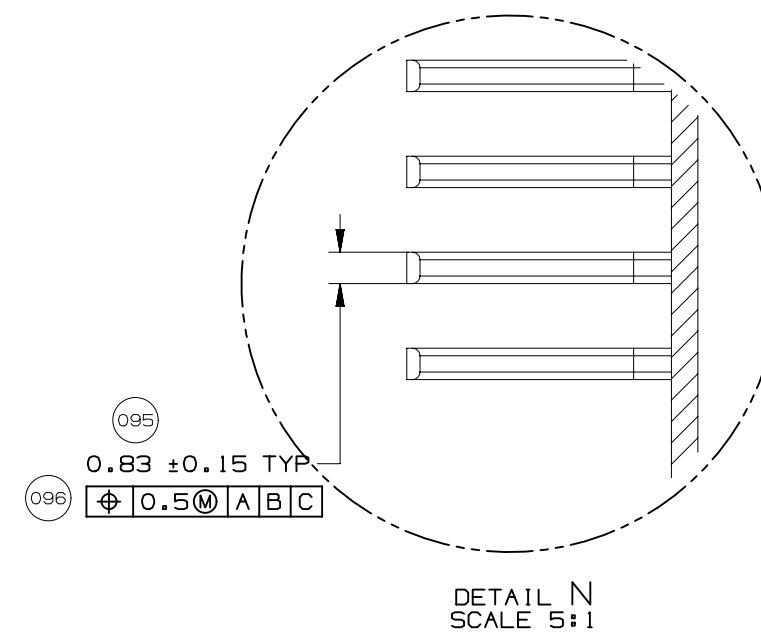
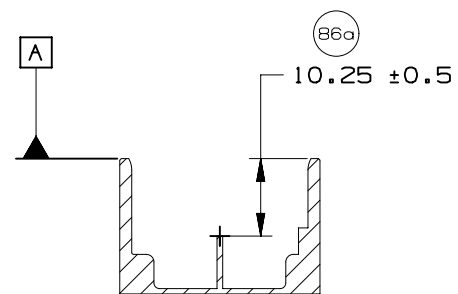
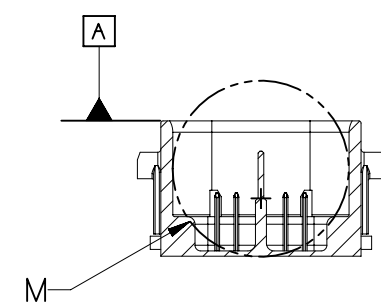
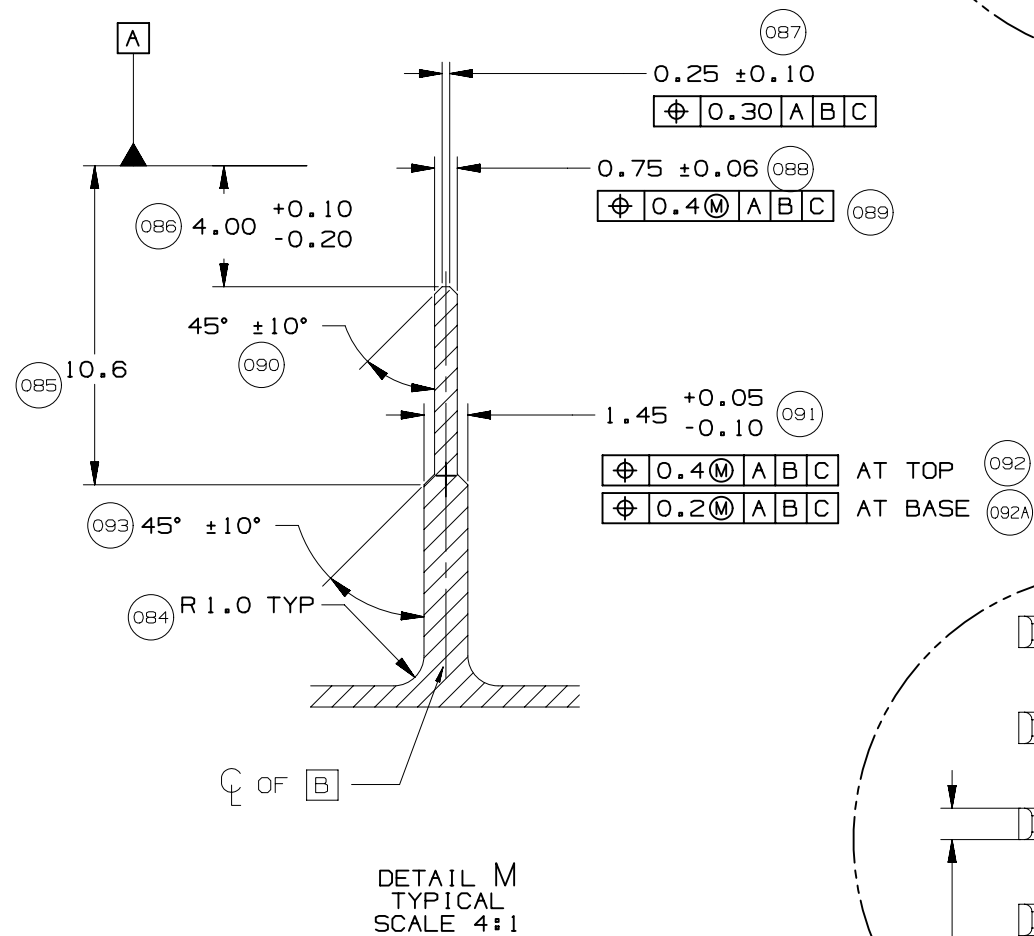
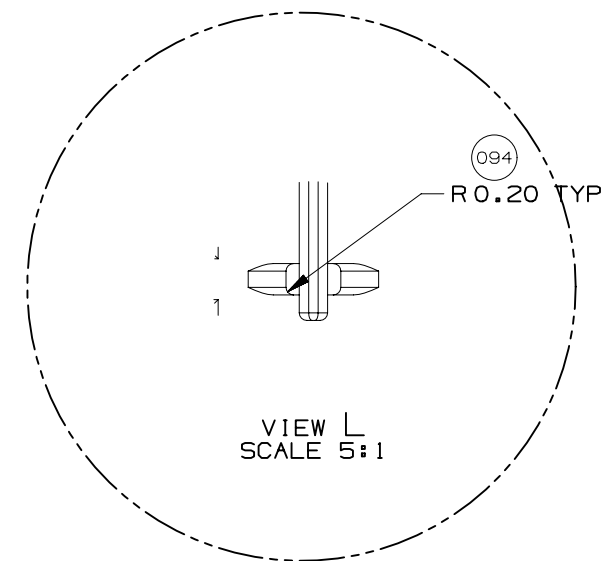
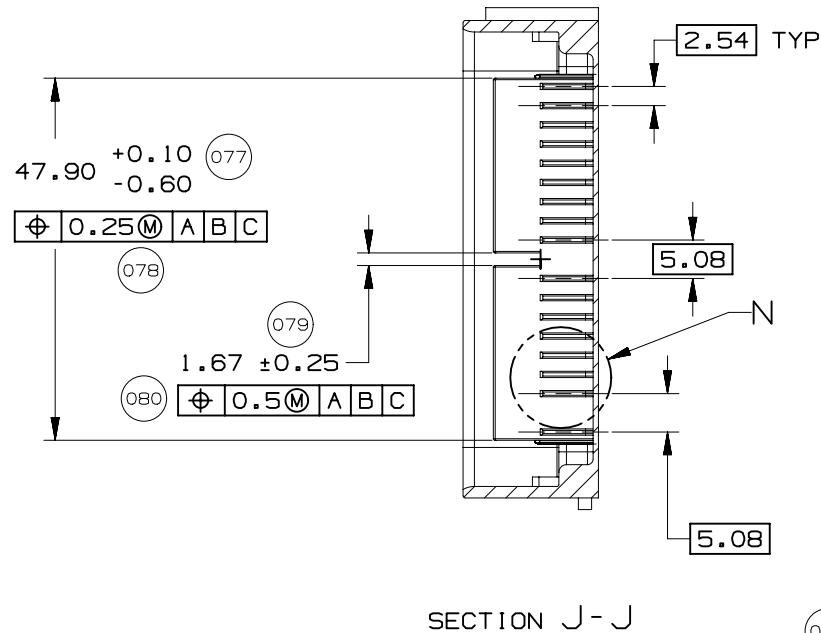
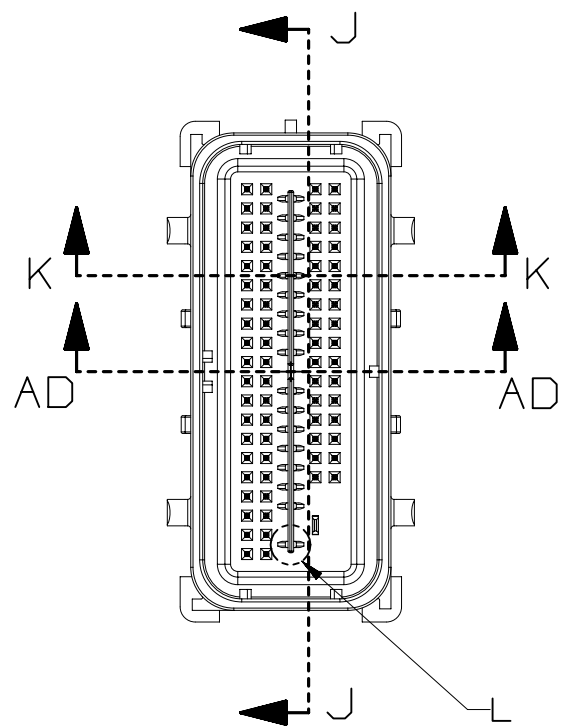


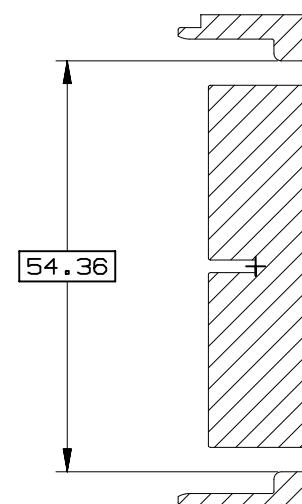
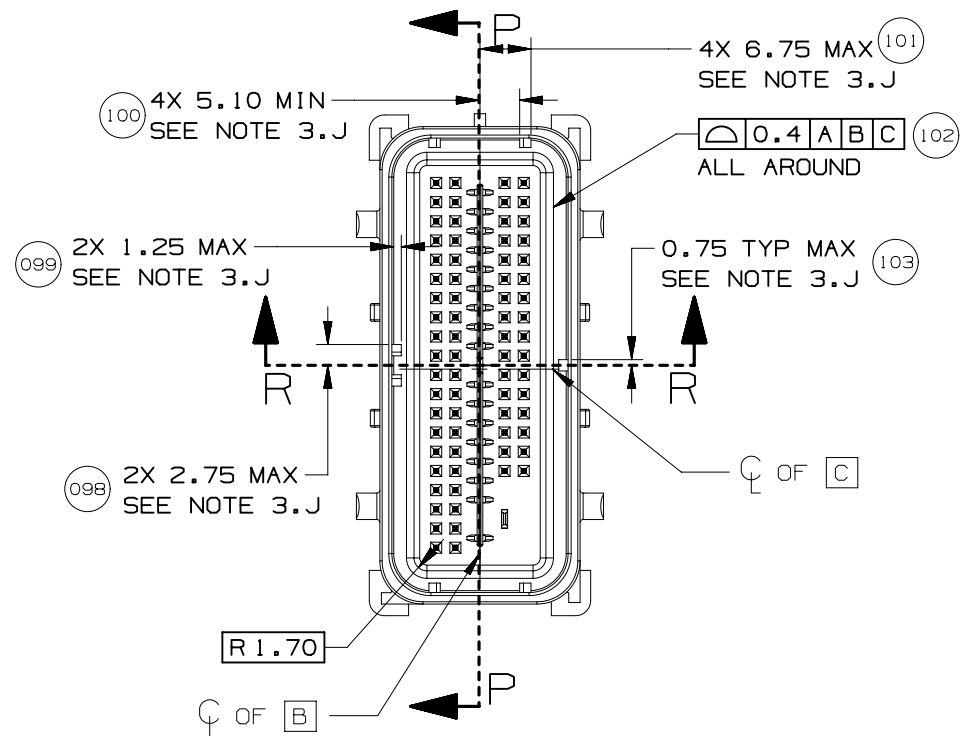


PAGE TITLE
 COMPONENT CONNECTOR INTERFACE

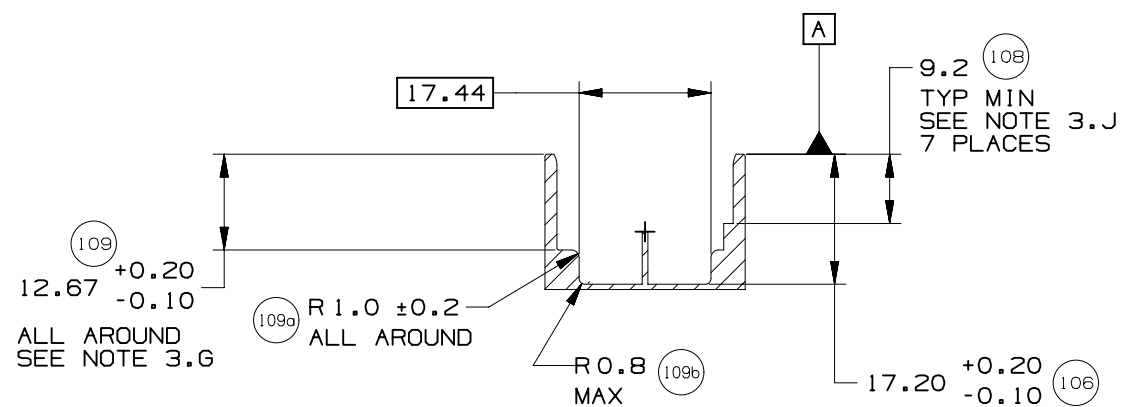
DRAWING NUMBER
 12672833

| DWG STATUS | | | PAGE NUMBER | |
|------------|-----|-----|-------------|-------|
| ST | REV | PD1 | 17 | OF 22 |
| R | 001 | | | |





SECTION P-P



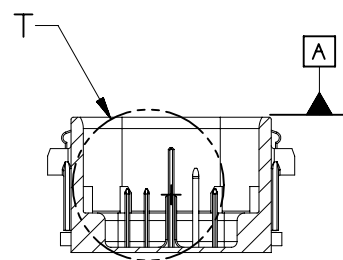
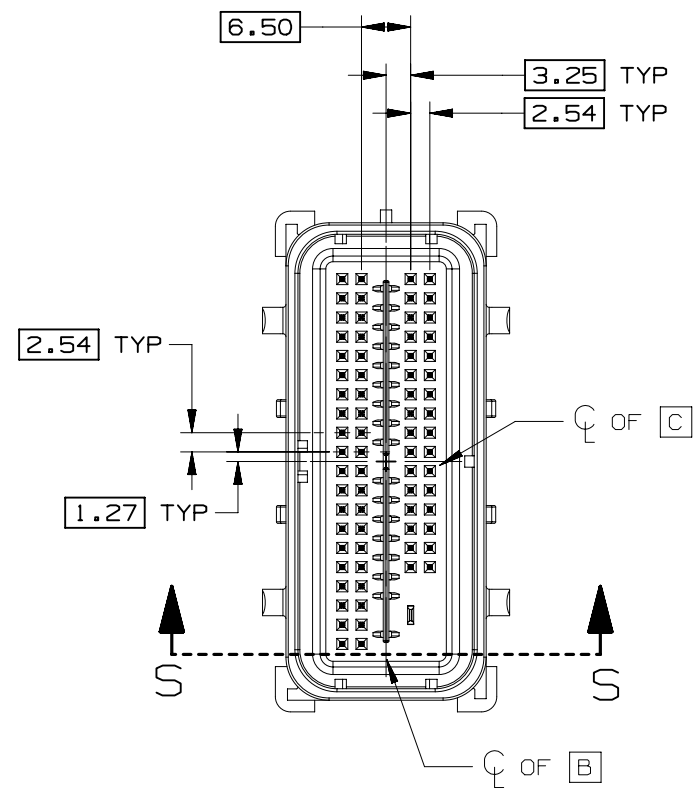
SECTION R-R



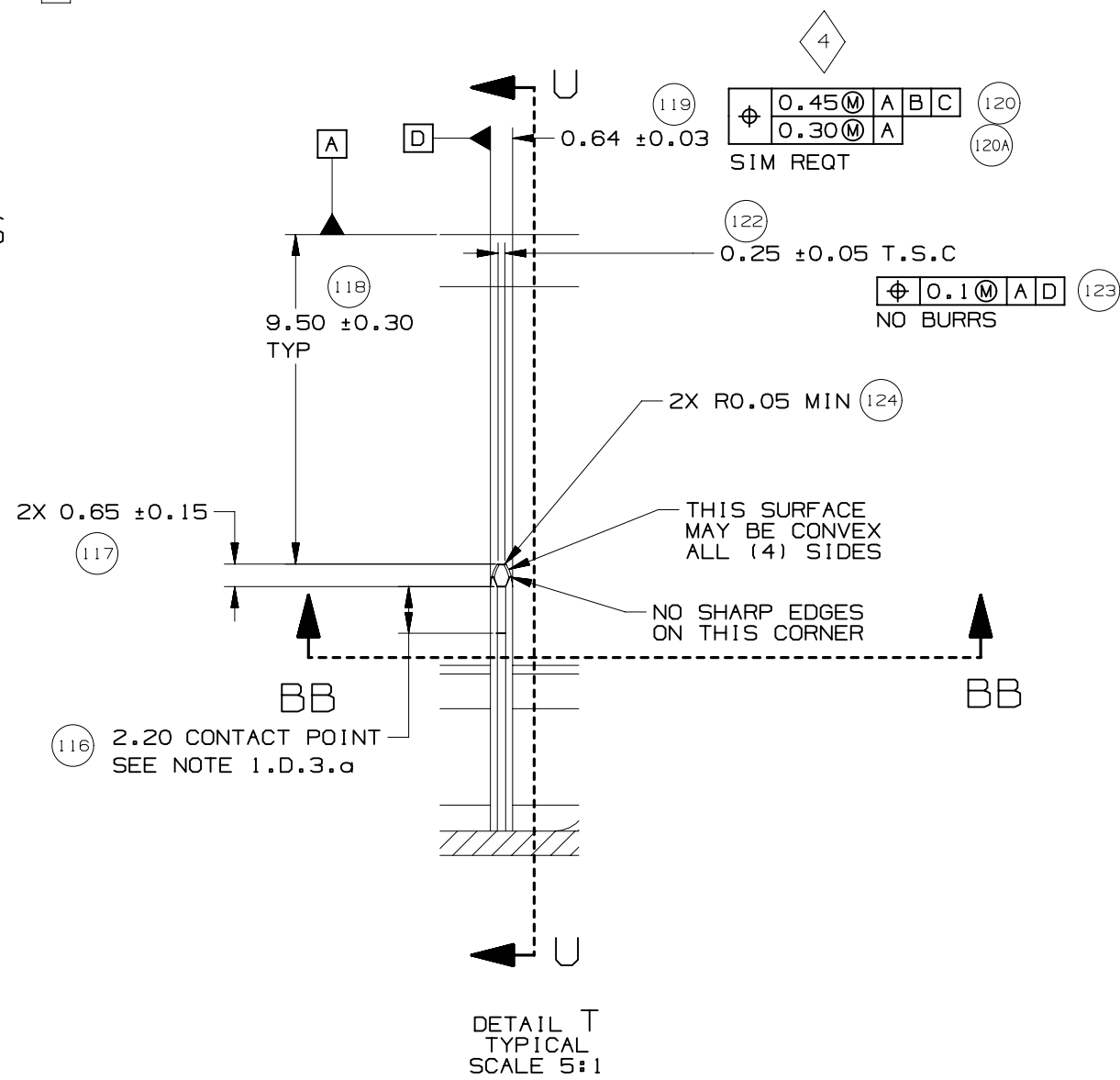
PAGE TITLE
COMPONENT CONNECTOR INTERFACE

DRAWING NUMBER
12672833

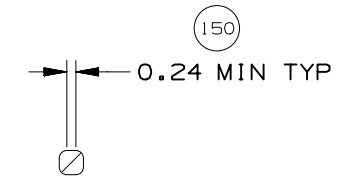
| DWG STATUS | | | PAGE NUMBER | |
|------------|-----|-----|-------------|-------|
| ST | REV | PD1 | 19 | OF 22 |
| R | 001 | | | |



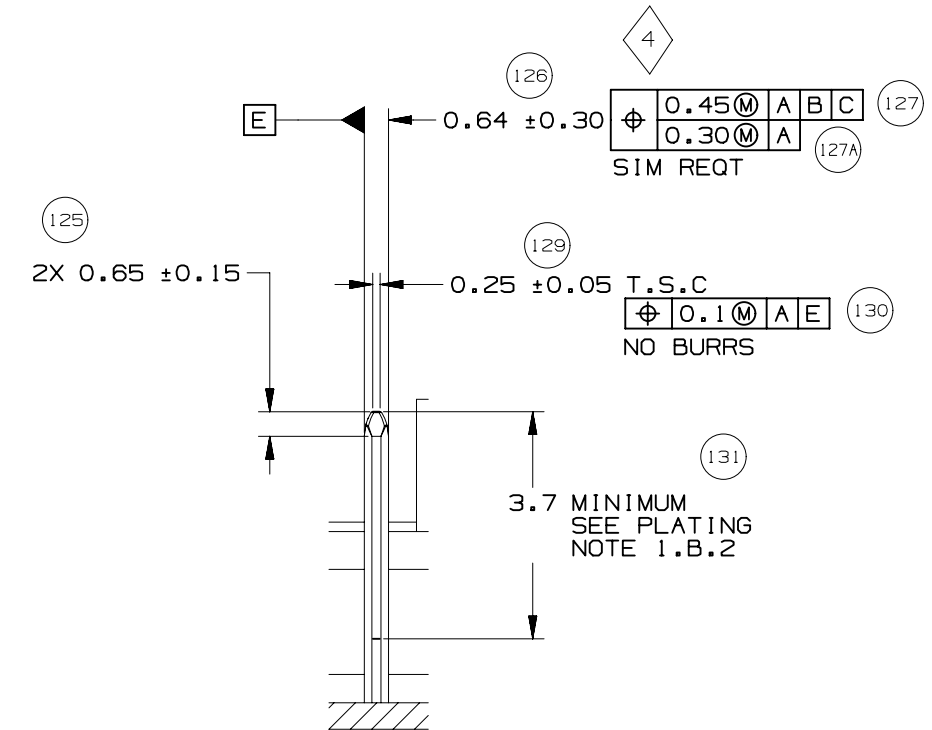
SECTION S-S



DETAIL T
TYPICAL
SCALE 5:1

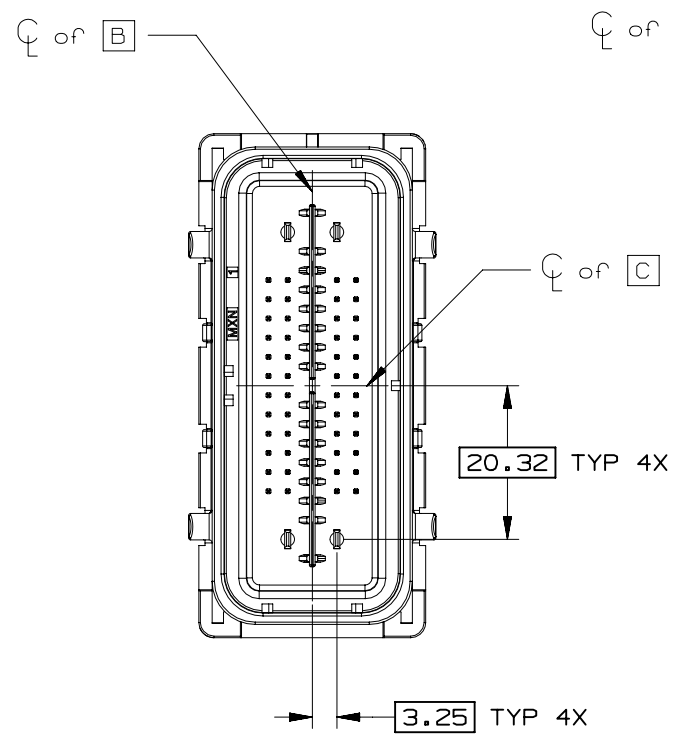


SECTION BB-BB

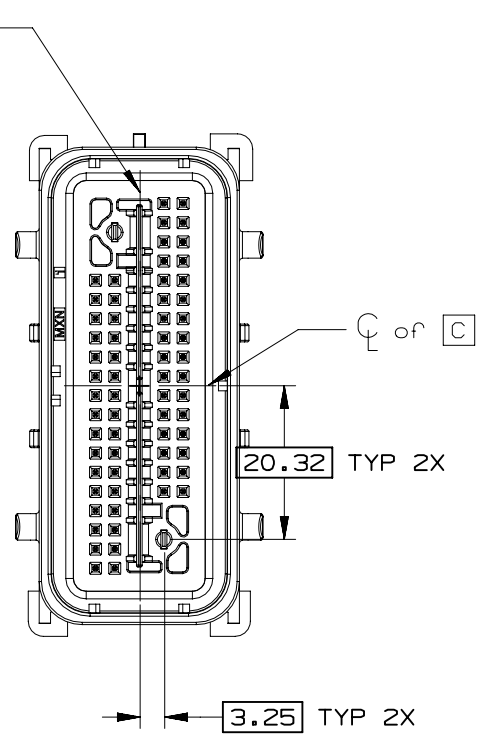


SECTION U-U
TYPICAL

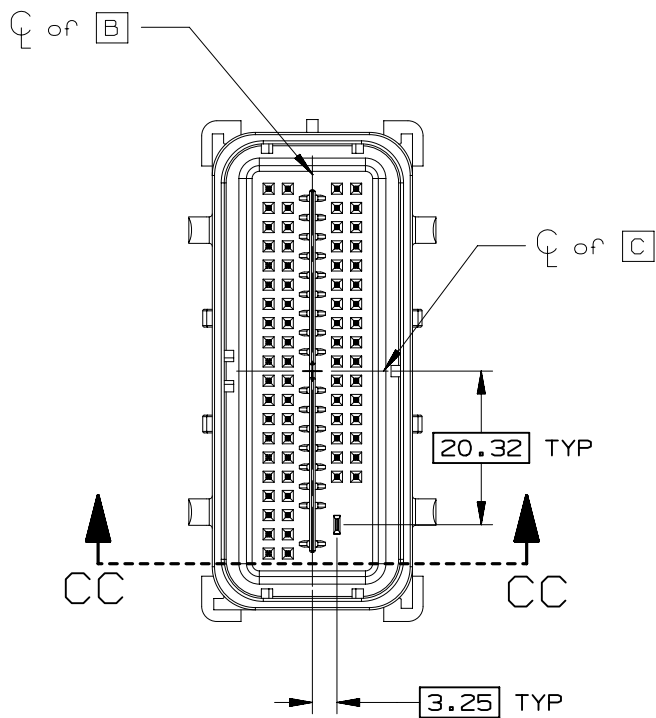




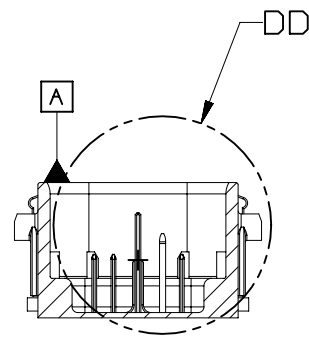
52 CKT COMPONENT
CONNECTOR INTERFACE



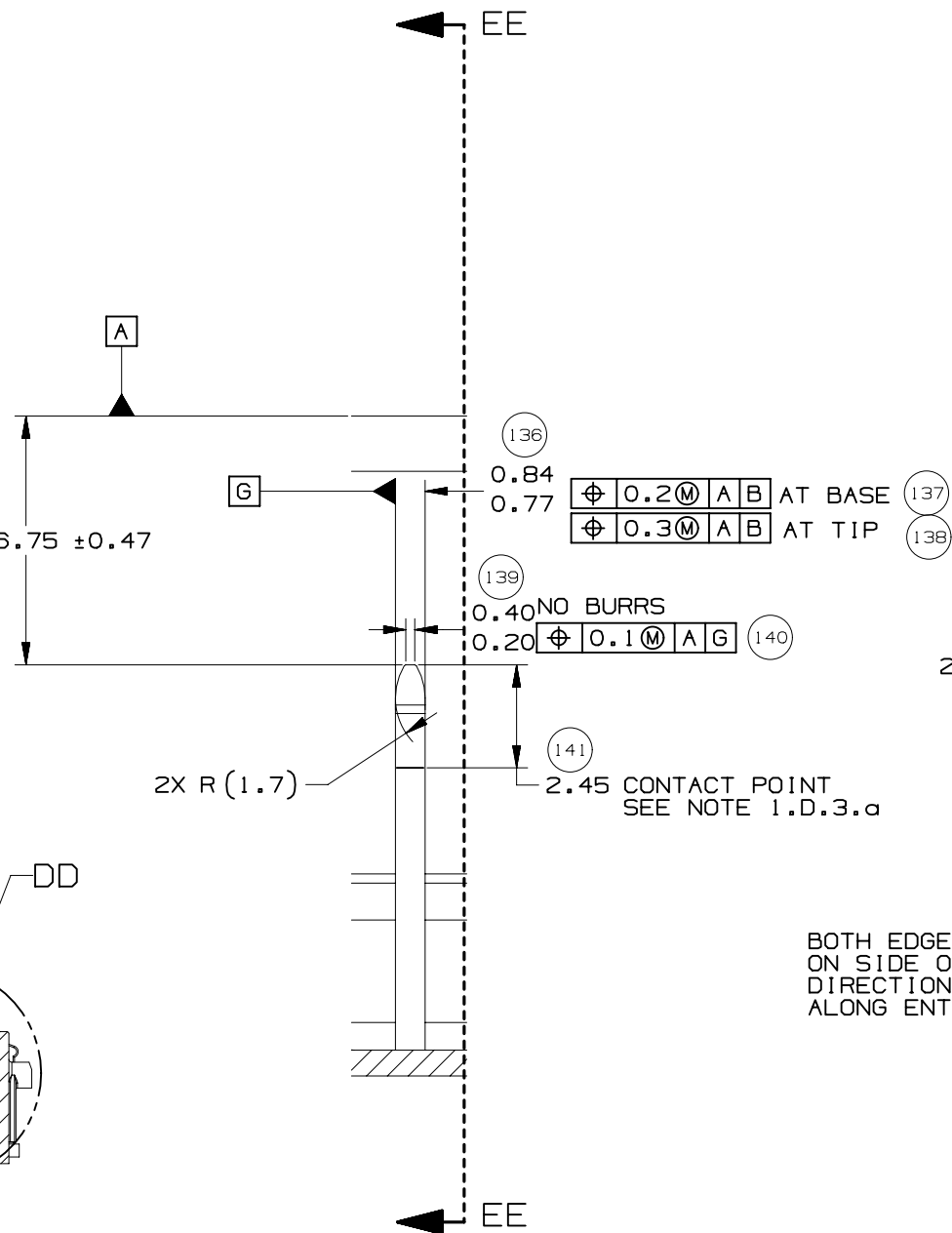
66 CKT COMPONENT
CONNECTOR INTERFACE



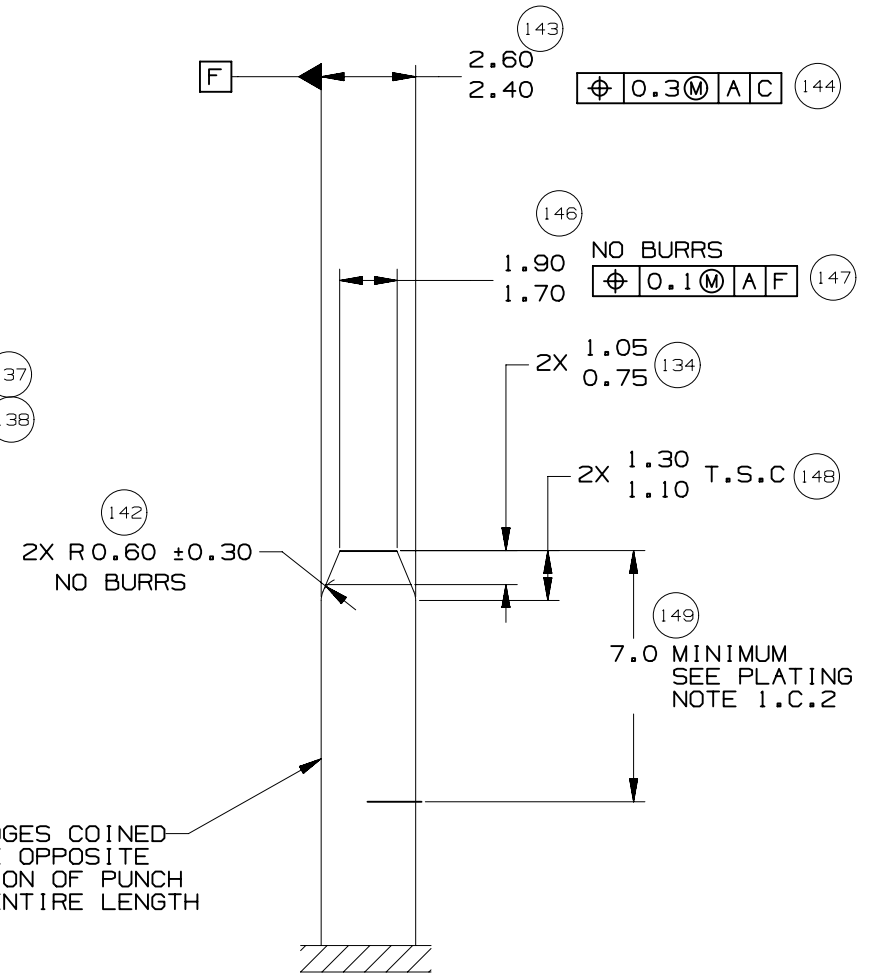
73 CKT COMPONENT
CONNECTOR INTERFACE



SECTION CC-CC



DETAIL DD
TYPICAL
SCALE 5:1



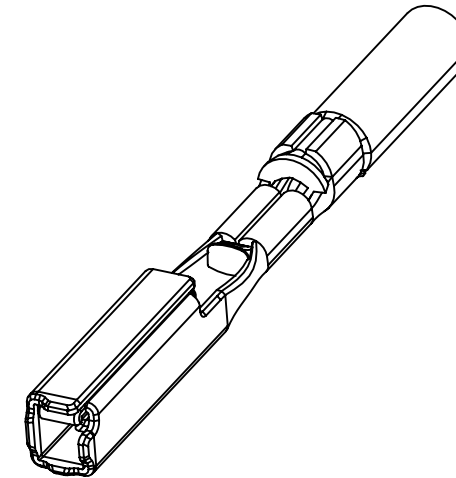
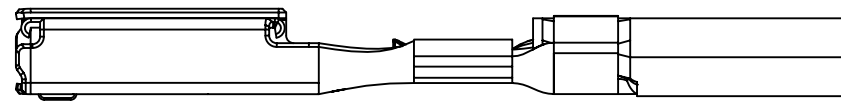
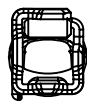
SECTION EE-EE
TYPICAL

BOTH EDGES COINED
ON SIDE OPPOSITE
DIRECTION OF PUNCH
ALONG ENTIRE LENGTH



MOLEX MX64 RECEPTACLE TERMINAL INFORMATION

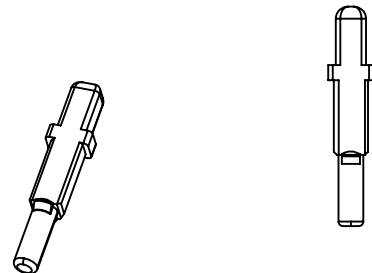
| ITEM | MOLEX P/N | GM P/N | WIRE SIZE MM2 | TYPE | PLATING | REEL WIND DIRECTION | COMMENTS |
|------|------------|----------|------------------|------|---------|------------------------|----------|
| 1 | 34736-0025 | | 0.35 | ISO | SILVER | LEFT | |
| 2 | 34736-0026 | 12672850 | 0.35 | ISO | SILVER | RIGHT | |
| 3 | 34736-0027 | | 0.5 / 0.75 | ISO | SILVER | LEFT | |
| 4 | 34736-0028 | 12672851 | 0.5 / 0.75 | ISO | SILVER | RIGHT | |



CAVITY PLUGS

| ITEM | MFG | MFG P/N | GM P/N RD | SIZE | COLOR | MFG DRAWING | PROD SPEC | APP SPEC | COMMENTS |
|------|--------|--------------|--------------|------|---------|--------------|----------------|--------------|----------|
| 1 | MOLEX | 34586-0001 | 12674820 | 0.64 | NATURAL | SD-34586-001 | PS-34566-0000 | AS-34566-001 | |
| 2 | YAZAKI | 7158-3114-90 | 12674821 | 2.8 | BLUE | 7158-3114-90 | YPES-11-04-062 | YPES-15-299 | |

ITEM 1



ITEM 2

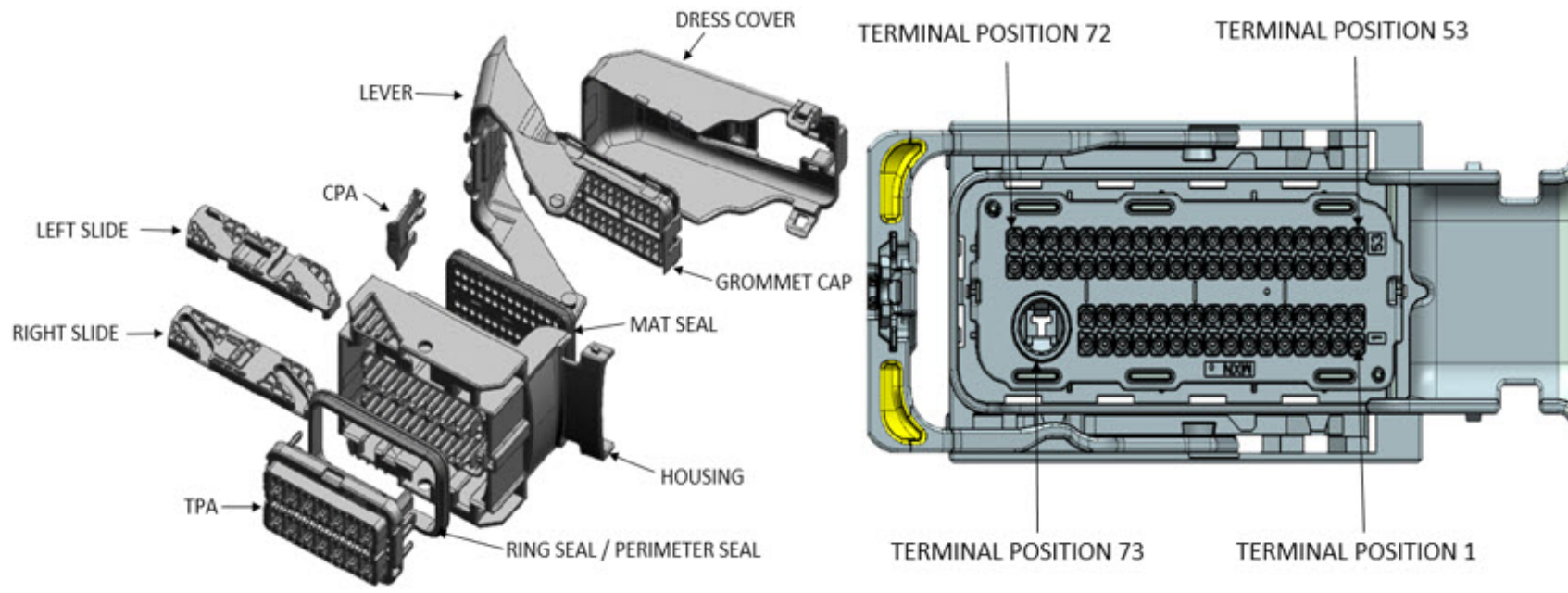


PAGE TITLE
ADDITIONAL COMPONENTS REQUIRED

DRAWING NUMBER
12672833

| DWG STATUS | | |
|------------|-----|-----|
| ST | REV | PD1 |
| R | 001 | |

PAGE NUMBER
22 OF 22



| ABBREVIATION | DESCRIPTION | COLOR | MATERIAL |
|--------------|--|------------|---------------------------------------|
| G-CAP-0-P | GROMMET CAP OPTION 0 PLUGGED | BLACK | SPS/PA, G.F 30% |
| G-CAP-0-O | GROMMET CAP OPTION 0 ALL OPEN | BLACK | SPS/PA, G.F 30% |
| G-CAP-9-P | GROMMET CAP OPTION 9 PLUGGED | BLACK | SPS/PA, G.F 30% |
| G-CAP-9-O | GROMMET CAP OPTION 9 ALL OPEN | BLACK | SPS/PA, G.F 30% |
| C-HSG-A0 | CONNECTOR HOUSING KEY A - WDC OPT 0 | BLACK | SPS/PA, G.F 30% |
| C-HSG-B0 | CONNECTOR HOUSING KEY B- WDC OPT 0 | BLACK | SPS/PA, G.F 30% |
| C-HSG-C0 | CONNECTOR HOUSING KEY C- WDC OPT 0 | BLACK | SPS/PA, G.F 30% |
| C-HSG-D0 | CONNECTOR HOUSING KEY D - WDC OPT 0 | BLACK | SPS/PA, G.F 30% |
| C-HSG-E0 | CONNECTOR HOUSING KEY E - WDC OPT 0 | BLACK | SPS/PA, G.F 30% |
| C-HSG-F0 | CONNECTOR HOUSING KEY F- WDC OPT 0 | BLACK | SPS/PA, G.F 30% |
| C-HSG-A9 | CONNECTOR HOUSING KEY A- WDC OPT 9 | BLACK | SPS/PA, G.F 30% |
| C-HSG-B9 | CONNECTOR HOUSING KEY B- WDC OPT 9 | BLACK | SPS/PA, G.F 30% |
| C-HSG-C9 | CONNECTOR HOUSING KEY C- WDC OPT 9 | BLACK | SPS/PA, G.F 30% |
| C-HSG-D9 | CONNECTOR HOUSING KEY D- WDC OPT 9 | BLACK | SPS/PA, G.F 30% |
| C-HSG-E9 | CONNECTOR HOUSING KEY E- WDC OPT 9 | BLACK | SPS/PA, G.F 30% |
| C-HSG-F9 | CONNECTOR HOUSING KEY F- WDC OPT 9 | BLACK | SPS/PA, G.F 30% |
| TPA-A0 | TERMINAL POSITION ASSURANCE (TPA) OPTION 0 | BLACK | SPS/PA, G.F 30% |
| TPA-B0 | TERMINAL POSITION ASSURANCE (TPA) OPTION 0 | STONE GRAY | SPS/PA, G.F 30% |
| TPA-C0 | TERMINAL POSITION ASSURANCE (TPA) OPTION 0 | BLUE | SPS/PA, G.F 30% |
| TPA-D0 | TERMINAL POSITION ASSURANCE (TPA) OPTION 0 | BROWN | SPS/PA, G.F 30% |
| TPA-E0 | TERMINAL POSITION ASSURANCE (TPA) OPTION 0 | GREEN | SPS/PA, G.F 30% |
| TPA-F0 | TERMINAL POSITION ASSURANCE (TPA) OPTION 0 | NATURAL | SPS/PA, G.F 30% |
| TPA-A0-1 | TERMINAL POSITION ASSURANCE (TPA) OPTION 0 | BLACK | SPS/PA, G.F 30% |
| TPA-B0-1 | TERMINAL POSITION ASSURANCE (TPA) OPTION 0 | STONE GRAY | SPS/PA, G.F 30% |
| TPA-C0-1 | TERMINAL POSITION ASSURANCE (TPA) OPTION 0 | BLUE | SPS/PA, G.F 30% |
| TPA-A9 | TERMINAL POSITION ASSURANCE (TPA) OPTION 9 | BLACK | SPS/PA, G.F 30% |
| TPA-B9 | TERMINAL POSITION ASSURANCE (TPA) OPTION 9 | STONE GRAY | SPS/PA, G.F 30% |
| TPA-C9 | TERMINAL POSITION ASSURANCE (TPA) OPTION 9 | BLUE | SPS/PA, G.F 30% |
| TPA-D9 | TERMINAL POSITION ASSURANCE (TPA) OPTION 9 | BROWN | SPS/PA, G.F 30% |
| TPA-E9 | TERMINAL POSITION ASSURANCE (TPA) OPTION 9 | GREEN | SPS/PA, G.F 30% |
| TPA-F9 | TERMINAL POSITION ASSURANCE (TPA) OPTION 9 | NATURAL | SPS/PA, G.F 30% |
| MAL | MATE ASSIST LEVER | BLACK | SPS/NYLON GF30 |
| RS | SLIDE - RIGHT | BLACK | PBT W/PTFE, G.F. 30% |
| LS | SLIDE - LEFT | BLACK | PBT W/PTFE, G.F. 30% |
| CVR BLACK | DRESS COVER BLACK | BLACK | PBT, G.F. 30% |
| CVR GRAY | DRESS COVER GRAY | GRAY | PBT, G.F. 30% |
| CVR BLUE | DRESS COVER BLUE | BLUE | PBT, G.F. 30% |
| CVR BROWN | DRESS COVER BROWN | BROWN | PBT, G.F. 30% |
| CVR GREEN | DRESS COVER GREEN | GREEN | PBT, G.F. 30% |
| CVR NATURAL | DRESS COVER NATURAL | NATURAL | PBT, G.F. 30% |
| CVR YELLOW | DRESS COVER YELLOW | YELLOW | PBT, G.F. 30% |
| CPA | CONNECTOR POSITION ASSURANCE (CPA) | RED | PPE/PA 10% GF |
| MSEAL | MAT SEAL | RUST RED | INHERENTLY LUBRICATED SILICONE RUBBER |
| RSEAL | RING SEAL | RUST RED | INHERENTLY LUBRICATED SILICONE RUBBER |

FOR ADDITIONAL INFORMATION SEE SD-34566-001

| ASSEMBLY DESCRIPTION | ASSEMBLY PART NUMBER | CONNECTOR HOUSING | GROMMET CAP | TPA | RIGHT SLIDE | LEFT SLIDE | MATE ASSIST LEVER | CPA | MAT SEAL | RING SEAL | BLOCKED TERMINALS | | | | | | | | | | | | | | | | STATUS | COMMENTS | INTEGRAL COMPONENTS SOLD SEPARATELY | | | | | | | | | | |
|--|----------------------|-------------------|-------------|--------|-------------|------------|-------------------|-----|----------|-----------|--|---|----|----|----|----|----|----|----|----|----|---|----|----|----|----|--------|----------|-------------------------------------|----|---|---|---|---|----|---|---|---|---|
| | | | | | | | | | | | CAVITY WITH A NUMBER INDICATES BLOCKED TERMINAL POSITION CAVITY WITHOUT A NUMBER INDICATES OPEN TERMINAL POSITION | | | | | | | | | | | | | | | | | | | | | | | | | | | | |
| | | | | | | | | | | | DRESS COVER | | | | | | | | | | | | | | | | | | | | | | | | | | | | |
| MX123 CONN ASSY 73 CKT BLK OPT0 KEY A/54 | 345660004 | C-HSG-A0 | G-CAP-0-P | TPA-A0 | RS | LS | MAL | CPA | MSEAL | RSEAL | - | - | - | - | 68 | - | 66 | 65 | - | - | 62 | - | - | - | 58 | - | - | - | - | - | | | | | | | | | |
| | | | | | | | | | | | - | - | 50 | 49 | - | 47 | 46 | - | - | 42 | - | - | - | - | - | - | - | - | - | - | - | - | - | - | - | - | - | - | |
| | | | | | | | | | | | - | - | - | - | - | - | - | - | 28 | - | - | - | 24 | 23 | - | 21 | 20 | - | - | 17 | - | - | - | - | - | - | - | - | - |
| | | | | | | | | | | | - | - | - | - | - | - | - | - | - | - | - | - | - | - | - | - | 4 | 3 | - | - | - | - | - | - | - | - | - | - | - |
| MX123 CONN ASSY 73 CKT BLK OPT0 KEY A/52 | 345660044 | C-HSG-A0 | G-CAP-0-P | TPA-A0 | RS | LS | MAL | CPA | MSEAL | RSEAL | - | - | - | - | 68 | - | 66 | 65 | - | 63 | 62 | - | - | - | 58 | - | - | - | - | - | | | | | | | | | |
| | | | | | | | | | | | - | - | 50 | 49 | - | 47 | 46 | - | - | 42 | - | - | - | - | - | - | - | - | - | - | - | - | - | - | - | - | - | | |
| | | | | | | | | | | | - | - | - | - | - | - | - | - | 28 | - | - | - | 24 | 23 | - | 21 | 20 | - | - | 17 | - | - | - | - | - | - | - | - | - |
| | | | | | | | | | | | - | - | - | - | - | - | - | - | - | - | - | - | - | - | - | - | - | 4 | - | - | 1 | - | - | - | - | - | - | - | - |
| MX123 CONN ASSY 73 CKT BLK OPT0 KEY A/53 | 345660064 | C-HSG-A0 | G-CAP-0-P | TPA-A0 | RS | LS | MAL | CPA | MSEAL | RSEAL | - | - | - | - | 68 | - | 66 | 65 | - | - | 62 | - | - | - | 58 | - | - | - | - | - | | | | | | | | | |
| | | | | | | | | | | | - | - | 50 | 49 | - | 47 | 46 | - | - | 42 | - | - | - | - | - | - | - | - | - | - | - | - | - | - | 33 | - | - | - | |
| | | | | | | | | | | | - | - | - | - | - | - | - | - | 28 | - | - | - | 24 | 23 | - | 21 | 20 | - | - | 17 | - | - | - | - | - | - | - | - | - |
| | | | | | | | | | | | - | - | - | - | - | - | - | - | - | - | - | - | - | - | - | - | - | 4 | 3 | - | - | - | - | - | - | - | - | - | - |

| ASSEMBLY DESCRIPTION | ASSEMBLY PART NUMBER | CONNECTOR HOUSING | GROMMET CAP | TPA | RIGHT SLIDE | LEFT SLIDE | MATE ASSIST LEVER | CPA | MAT SEAL | RING SEAL | BLOCKED TERMINALS | | | | | | | | | | | | | | | | | | STATUS | COMMENTS | INTEGRAL COMPONENTS SOLD SEPARATELY | | | | | |
|--|----------------------|-------------------|-------------|--------|-------------|------------|-------------------|-----|----------|-----------|--|----|----|----|----|----|----|----|----|----|----|----|----|----|----|----|----|----|--------|----------|-------------------------------------|---|---|---|---|---|
| | | | | | | | | | | | CAVITY WITH A NUMBER INDICATES BLOCKED TERMINAL POSITION | | | | | | | | | | | | | | | | | | | | DRESS COVER | | | | | |
| | | | | | | | | | | | CAVITY WITHOUT A NUMBER INDICATES OPEN TERMINAL POSITION | | | | | | | | | | | | | | | | | | | | | | | | | |
| MX123 CONN ASSY 73 CKT BLK OPT0 KEY A/48 | 345660084 | C-HSG-A0 | G-CAP-0-P | TPA-A0 | RS | LS | MAL | CPA | MSEAL | RSEAL | 72 | 71 | - | - | 68 | - | 66 | 65 | - | 63 | 62 | - | - | - | 58 | - | - | - | - | - | | | | | | |
| | | | | | | | | | | | - | - | 50 | 49 | - | 47 | 46 | - | - | 43 | 42 | - | - | - | - | - | - | - | - | - | - | - | - | - | - | - |
| | | | | | | | | | | | | | | | 32 | - | - | - | 28 | - | - | - | 24 | 23 | - | 21 | 20 | - | 18 | 17 | - | - | - | - | - | - |
| MX123 CONN ASSY 73 CKT GRY OPT0 KEY B/61 | 345660094 | C-HSG-B0 | G-CAP-0-P | TPA-B0 | RS | LS | MAL | CPA | MSEAL | RSEAL | - | - | - | - | - | - | 66 | - | - | - | - | - | - | - | 58 | - | - | - | - | - | | | | | | |
| | | | | | | | | | | | - | - | - | - | - | - | - | - | - | - | - | 41 | - | - | 38 | 37 | - | - | - | - | - | - | - | - | - | |
| | | | | | | | | | | | | | | | - | - | - | - | - | - | - | - | - | - | - | - | 20 | 19 | 18 | 17 | - | - | - | - | - | - |
| MX123 CONN ASSY 73 CKT BLK OPT0 KEY A/73 | 345660103 | C-HSG-A0 | G-CAP-0-P | TPA-A0 | RS | LS | MAL | CPA | MSEAL | RSEAL | - | - | - | - | - | - | - | - | - | - | - | - | - | - | - | - | - | - | - | | | | | | | |
| | | | | | | | | | | | - | - | - | - | - | - | - | - | - | - | - | - | - | - | - | - | - | - | - | - | - | - | - | - | - | |
| | | | | | | | | | | | | | | | - | - | - | - | - | - | - | - | - | - | - | - | - | - | - | - | - | - | - | - | - | - |
| MX123 CONN ASSY 73 CKT GRY OPT0 KEY B/58 | 345660104 | C-HSG-B0 | G-CAP-0-P | TPA-B0 | RS | LS | MAL | CPA | MSEAL | RSEAL | - | - | - | - | - | - | 66 | - | - | - | - | - | - | - | 58 | - | - | - | - | - | | | | | | |
| | | | | | | | | | | | 52 | 51 | - | - | - | - | - | 45 | - | - | - | 41 | - | - | 38 | 37 | - | - | - | - | - | - | - | - | - | |
| | | | | | | | | | | | | | | | - | - | - | - | - | - | - | - | - | - | - | 20 | 19 | 18 | 17 | - | - | - | - | - | - | - |
| MX123 CONN ASSY 73 CKT GRY OPT0 KEY B/46 | 345660114 | C-HSG-B0 | G-CAP-0-P | TPA-B0 | RS | LS | MAL | CPA | MSEAL | RSEAL | - | - | - | - | 68 | 67 | 66 | 65 | - | - | 62 | - | 60 | 59 | - | - | - | - | 54 | 53 | | | | | | |
| | | | | | | | | | | | - | - | - | - | 48 | 47 | 46 | 45 | 44 | - | 42 | 41 | 40 | 39 | - | - | - | 35 | 34 | - | - | - | - | - | - | |
| | | | | | | | | | | | | | | | - | 31 | - | - | - | 27 | - | - | - | - | - | - | - | 19 | 18 | 17 | - | - | - | - | - | - |
| MX123 CONN ASSY 73 CKT GRY OPT0 KEY B/26 | 345660124 | C-HSG-B0 | G-CAP-0-P | TPA-B0 | RS | LS | MAL | CPA | MSEAL | RSEAL | - | 71 | 70 | 69 | 68 | 67 | 66 | 65 | 64 | 63 | - | - | - | - | 58 | 57 | 56 | - | 54 | 53 | | | | | | |
| | | | | | | | | | | | - | 51 | 50 | 49 | - | - | - | 45 | 44 | 43 | 42 | 41 | - | 39 | 38 | 37 | 36 | 35 | 34 | - | - | - | - | - | - | |
| | | | | | | | | | | | | | | | 32 | 31 | - | 29 | 28 | 27 | 26 | 25 | 24 | 23 | - | - | - | - | - | - | - | - | - | - | - | - |
| MX123 CONN ASSY 73 CKT GRY OPT0 KEY B/30 | 345660134 | C-HSG-B0 | G-CAP-0-P | TPA-B0 | RS | LS | MAL | CPA | MSEAL | RSEAL | - | 71 | 70 | 69 | 68 | 67 | 66 | 65 | 64 | 63 | - | - | - | - | 58 | 57 | 56 | - | 54 | 53 | | | | | | |
| | | | | | | | | | | | - | 51 | 50 | 49 | - | - | - | 45 | 44 | 43 | 42 | - | - | 39 | - | - | - | - | 34 | 33 | - | - | - | - | - | |
| | | | | | | | | | | | | | | | 32 | 31 | - | 29 | 28 | 27 | 26 | 25 | 24 | 23 | - | - | - | - | - | - | 17 | - | - | - | - | - |
| MX123 CONN ASSY 73 CKT GRY OPT9 KEY B/14 | 345660144 | C-HSG-B9 | G-CAP-9-P | TPA-B9 | RS | LS | MAL | CPA | MSEAL | RSEAL | 72 | 71 | 70 | 69 | 68 | 67 | - | 65 | 64 | 63 | 62 | 61 | 60 | 59 | - | 57 | 56 | 55 | 54 | 53 | | | | | | |
| | | | | | | | | | | | 52 | 51 | 50 | 49 | 48 | 47 | 46 | 45 | 44 | 43 | 42 | - | 40 | 39 | - | - | 36 | 35 | 34 | 33 | - | - | - | - | - | |
| | | | | | | | | | | | | | | | 32 | 31 | 30 | 29 | 28 | 27 | 26 | 25 | 24 | 23 | 22 | 21 | - | - | - | - | - | - | - | - | - | - |
| MX123 CONN ASSY 73 CKT GRY OPT9 KEY B/62 | 345660154 | C-HSG-B9 | G-CAP-9-P | TPA-B9 | RS | LS | MAL | CPA | MSEAL | RSEAL | - | - | - | - | - | - | - | - | - | - | - | - | - | - | 58 | - | - | - | - | - | | | | | | |
| | | | | | | | | | | | - | - | - | - | - | - | - | - | - | - | - | - | 41 | - | - | 38 | 37 | - | - | - | - | - | - | - | - | |
| | | | | | | | | | | | | | | | - | - | - | - | - | - | - | - | - | - | - | - | 20 | 19 | 18 | 17 | - | - | - | - | - | - |
| MX123 CONN ASSY 73 CKT GRY OPT9 KEY B/34 | 345660174 | C-HSG-B9 | G-CAP-9-P | TPA-B9 | RS | LS | MAL | CPA | MSEAL | RSEAL | - | - | - | 69 | 68 | - | - | 65 | 64 | 63 | 62 | 61 | - | 59 | 58 | - | 56 | 55 | 54 | - | | | | | | |
| | | | | | | | | | | | - | - | - | 49 | 48 | - | - | 45 | 44 | 43 | 42 | 41 | 40 | - | 38 | - | 36 | - | 34 | - | - | - | - | - | - | |
| | | | | | | | | | | | | | | | 32 | 31 | - | - | - | 27 | 26 | - | - | - | - | 21 | - | - | 18 | - | - | - | - | - | - | - |
| MX123 CONN ASSY 73 CKT GRY OPT9 KEY B/52 | 345660184 | C-HSG-B9 | G-CAP-9-P | TPA-B9 | RS | LS | MAL | CPA | MSEAL | RSEAL | - | - | - | - | - | - | - | - | - | - | 62 | - | 60 | 59 | - | - | - | - | - | | | | | | | |
| | | | | | | | | | | | - | - | - | - | - | - | - | - | - | - | - | - | - | 39 | 38 | - | - | 35 | 34 | 33 | - | - | - | - | - | |
| | | | | | | | | | | | | | | | - | 31 | - | - | - | 27 | - | - | - | 23 | 22 | - | 20 | 19 | 18 | 17 | - | - | - | - | - | - |
| MX123 CONN ASSY 73 CKT BLU OPT0 KEY C/40 | 345660194 | C-HSG-C0 | G-CAP-0-P | TPA-C0 | RS | LS | MAL | CPA | MSEAL | RSEAL | - | - | - | - | 68 | - | - | - | - | 63 | 62 | 61 | 60 | 59 | 58 | 57 | - | 55 | 54 | 53 | | | | | | |
| | | | | | | | | | | | - | - | - | - | 48 | - | - | - | - | 43 | 42 | 41 | 40 | - | 38 | 37 | 36 | 35 | 34 | 33 | - | - | - | - | - | |
| | | | | | | | | | | | | | | | 32 | - | - | 29 | - | 27 | - | - | - | - | - | - | - | 19 | 18 | 17 | - | - | - | - | - | - |

| ASSEMBLY DESCRIPTION | ASSEMBLY PART NUMBER | CONNECTOR HOUSING | GROMMET CAP | TPA | RIGHT SLIDE | LEFT SLIDE | MATE ASSIST LEVER | CPA | MAT SEAL | RING SEAL | BLOCKED TERMINALS | | | | | | | | | | | | | | | | | | STATUS | COMMENTS | INTEGRAL COMPONENTS SOLD SEPARATELY | | | | | | | | | | | | | | | | |
|--|----------------------|-------------------|-------------|--------|-------------|------------|-------------------|-----|----------|-----------|--|----|----|----|----|----|----|----|----|----|----|----|----|----|----|----|----|----|--------|----------|-------------------------------------|-----------|-----------|----|----------|----|-----------|----|----|----|----|----|----|----|----|----|----|
| | | | | | | | | | | | CAVITY WITH A NUMBER INDICATES BLOCKED TERMINAL POSITION | | | | | | | | | | | | | | | | | | | | DRESS COVER | | | | | | | | | | | | | | | | |
| | | | | | | | | | | | CAVITY WITHOUT A NUMBER INDICATES OPEN TERMINAL POSITION | | | | | | | | | | | | | | | | | | | | | | | | | | | | | | | | | | | | |
| MX123 CONN ASSY 73 CKT GRY OPT0 KEY B/46 | 345660514 | C-HSG-B0 | G-CAP-0-P | TPA-B0 | RS | LS | MAL | CPA | MSEAL | RSEAL | - | - | - | - | - | - | - | - | - | - | - | - | - | 62 | - | 60 | 59 | - | - | - | - | - | 54 | 53 | SALEABLE | | 345650003 | | | | | | | | | | |
| | | | | | | | | | | | - | - | - | - | - | - | - | - | - | - | - | - | 42 | 41 | - | 39 | 38 | - | - | 35 | 34 | 33 | | | | | | | | | | | | | | | |
| | | | | | | | | | | | - | | | | | | | | | | | | | | | | | | - | 31 | - | - | - | 27 | | | | - | - | - | 23 | 22 | - | 20 | 19 | 18 | 17 |
| | | | | | | | | | | | - | | | | | | | | | | | | | | | | | | - | 15 | - | - | 12 | - | | | | - | - | - | 7 | - | - | 4 | 3 | 2 | 1 |
| MX123 CONN ASSY 73 CKT BLK OPT0 KEY A/30 | 345660524 | C-HSG-A0 | G-CAP-0-P | TPA-A0 | RS | LS | MAL | CPA | MSEAL | RSEAL | - | - | - | 69 | 68 | - | - | 65 | 64 | 63 | 62 | 61 | 60 | 59 | 58 | 57 | 56 | 55 | 54 | - | SALEABLE | | 345650003 | | | | | | | | | | | | | | |
| | | | | | | | | | | | - | - | - | 49 | 48 | - | - | 45 | 44 | 43 | 42 | 41 | 40 | - | 38 | - | 36 | - | 34 | - | | | | | | | | | | | | | | | | | |
| | | | | | | | | | | | - | | | | | | | | | | | | | | | | | | 32 | 31 | | | | - | - | - | - | - | 25 | 24 | 23 | 22 | 21 | 20 | 19 | 18 | - |
| | | | | | | | | | | | - | | | | | | | | | | | | | | | | | | 16 | 15 | | | | 14 | - | - | - | - | 9 | - | - | 6 | 5 | 4 | - | 2 | - |
| MX123 CONN ASSY 73 CKT BLK OPT9 KEY A/46 | 345660534 | C-HSG-A9 | G-CAP-9-P | TPA-A9 | RS | LS | MAL | CPA | MSEAL | RSEAL | - | - | - | - | - | - | 65 | - | 63 | - | 61 | - | 59 | 58 | 57 | - | - | - | - | 53 | SALEABLE | | 345650003 | | | | | | | | | | | | | | |
| | | | | | | | | | | | - | - | - | - | - | - | - | - | 48 | - | - | - | - | 43 | 42 | 41 | - | - | 38 | 37 | | | | - | - | 34 | - | | | | | | | | | | |
| | | | | | | | | | | | - | | | | | | | | | | | | | | | | | | 32 | 31 | | | | 30 | 29 | 28 | - | - | - | - | 23 | 22 | - | - | 19 | - | 17 |
| | | | | | | | | | | | - | | | | | | | | | | | | | | | | | | - | 15 | | | | - | - | - | 11 | - | - | - | 7 | - | - | - | - | 2 | - |
| MX123 CONN ASSY 73 CKT GRY OPT9 KEY B/59 | 345660544 | C-HSG-B9 | G-CAP-9-P | TPA-B9 | RS | LS | MAL | CPA | MSEAL | RSEAL | - | - | - | - | - | - | 66 | - | - | - | 62 | - | - | - | 58 | - | - | - | - | - | SALEABLE | | 345650003 | | | | | | | | | | | | | | |
| | | | | | | | | | | | - | - | - | - | - | - | - | - | - | - | - | - | - | - | - | - | - | - | - | - | | | | - | - | - | - | | | | | | | | | | |
| | | | | | | | | | | | - | | | | | | | | | | | | | | | | | | - | - | | | | - | - | - | - | - | - | - | - | - | - | 20 | 19 | 18 | 17 |
| | | | | | | | | | | | - | | | | | | | | | | | | | | | | | | - | - | | | | - | - | - | - | - | - | 8 | - | - | 5 | 4 | - | - | 1 |
| MX123 CONN ASSY 73 CKT NAT OPT0 KEY F/73 | 345660603 | C-HSG-F0 | G-CAP-0-P | TPA-F0 | RS | LS | MAL | CPA | MSEAL | RSEAL | - | - | - | - | - | - | - | - | - | - | - | - | - | - | - | - | - | - | - | SALEABLE | | 345650003 | | | | | | | | | | | | | | | |
| | | | | | | | | | | | - | - | - | - | - | - | - | - | - | - | - | - | - | - | - | - | - | - | - | | | | - | - | - | - | - | | | | | | | | | | |
| | | | | | | | | | | | - | | | | | | | | | | | | | | | | | | - | | | | - | - | - | - | - | - | - | - | - | - | - | - | - | - | - |
| | | | | | | | | | | | - | | | | | | | | | | | | | | | | | | - | | | | - | - | - | - | - | - | - | - | - | - | - | - | - | - | - |
| MX123 CONN ASSY 73 CKT BLK OPT9 KEY A/38 | 345660604 | C-HSG-A9 | G-CAP-9-P | TPA-A9 | RS | LS | MAL | CPA | MSEAL | RSEAL | - | - | - | 69 | 68 | - | - | - | - | - | - | - | 60 | - | 58 | 57 | 56 | - | 54 | - | SALEABLE | | 345650003 | | | | | | | | | | | | | | |
| | | | | | | | | | | | - | - | - | 49 | 48 | - | - | - | - | - | - | - | 40 | - | - | - | - | 35 | 34 | - | | | | | | | | | | | | | | | | | |
| | | | | | | | | | | | - | | | | | | | | | | | | | | | | | | 32 | 31 | | | | - | - | 28 | 27 | 26 | 25 | 24 | 23 | 22 | 21 | 20 | 19 | 18 | - |
| | | | | | | | | | | | - | | | | | | | | | | | | | | | | | | 16 | 15 | | | | 14 | - | 12 | 11 | 10 | 9 | - | - | - | 5 | 4 | - | 2 | - |
| MX123 CONN ASSY 73 CKT GRY OPT0 KEY B/43 | 345660624 | C-HSG-B0 | G-CAP-0-P | TPA-B0 | RS | LS | MAL | CPA | MSEAL | RSEAL | - | - | - | - | 68 | 67 | 66 | 65 | 64 | - | 62 | - | 60 | 59 | - | - | - | - | 54 | 53 | SALEABLE | | 345650003 | | | | | | | | | | | | | | |
| | | | | | | | | | | | - | - | - | - | 48 | 47 | 46 | - | 44 | - | 42 | - | 40 | 39 | - | - | - | 35 | 34 | - | | | | | | | | | | | | | | | | | |
| | | | | | | | | | | | - | | | | | | | | | | | | | | | | | | - | 31 | | | | - | - | - | 27 | - | - | - | - | - | - | - | 19 | 18 | 17 |
| | | | | | | | | | | | - | | | | | | | | | | | | | | | | | | - | 15 | | | | 14 | - | - | 11 | - | - | - | - | - | - | - | 3 | 2 | 1 |
| MX123 CONN ASSY 73 CKT BLK OPT9 KEY A/42 | 345660634 | C-HSG-A9 | G-CAP-9-P | TPA-A9 | RS | LS | MAL | CPA | MSEAL | RSEAL | 72 | 71 | - | - | 68 | - | 66 | 65 | - | 63 | 62 | - | - | - | 58 | - | - | - | - | - | SALEABLE | | 345650003 | | | | | | | | | | | | | | |
| | | | | | | | | | | | - | - | 50 | 49 | - | 47 | 46 | - | - | 43 | 42 | - | 40 | - | - | - | - | - | - | - | | | | - | - | - | | | | | | | | | | | |
| | | | | | | | | | | | - | | | | | | | | | | | | | | | | | | 32 | 31 | | | | - | 29 | - | - | - | - | 24 | 23 | - | 21 | 20 | - | 18 | 17 |
| | | | | | | | | | | | - | | | | | | | | | | | | | | | | | | 16 | - | | | | - | - | - | - | - | 9 | - | 7 | 6 | - | 4 | 3 | - | 1 |
| MX123 CONN ASSY 73 CKT BLK OPT9 KEY A/43 | 345660654 | C-HSG-A9 | G-CAP-9-P | TPA-A9 | RS | LS | MAL | CPA | MSEAL | RSEAL | 72 | 71 | - | - | 68 | - | 66 | 65 | - | 63 | 62 | - | - | - | 58 | - | - | - | - | - | SALEABLE | | 345650003 | | | | | | | | | | | | | | |
| | | | | | | | | | | | - | - | 50 | 49 | - | 47 | 46 | - | - | 43 | 42 | - | 40 | - | - | - | - | - | - | - | | | | - | - | 33 | | | | | | | | | | | |
| | | | | | | | | | | | - | | | | | | | | | | | | | | | | | | 32 | 31 | | | | - | 29 | - | - | - | - | 24 | 23 | - | - | 20 | - | 18 | 17 |
| | | | | | | | | | | | - | | | | | | | | | | | | | | | | | | 16 | - | | | | - | - | - | - | - | 9 | - | - | 6 | - | 4 | 3 | - | 1 |
| MX123 CONN ASSY 73 CKT GRY OPT9 KEY B/50 | 345660674 | C-HSG-B9 | G-CAP-9-P | TPA-B9 | RS | LS | MAL | CPA | MSEAL | RSEAL | - | - | - | - | - | - | 66 | 65 | - | - | 62 | - | 60 | 59 | - | - | - | - | 54 | 53 | SALEABLE | | 345650003 | | | | | | | | | | | | | | |
| | | | | | | | | | | | - | - | - | - | - | - | 46 | 45 | - | - | 42 | - | 40 | 39 | - | - | - | 35 | 34 | 33 | | | | | | | | | | | | | | | | | |
| | | | | | | | | | | | - | | | | | | | | | | | | | | | | | | - | 31 | | | | - | - | - | 27 | - | - | - | - | - | - | - | - | 18 | 17 |
| | | | | | | | | | | | - | | | | | | | | | | | | | | | | | | - | - | | | | - | - | - | 11 | - | - | - | - | - | - | - | 3 | 2 | 1 |
| MX123 CONN ASSY 73 CKT BLK OPT0 KEY A/31 | 345661013 | C-HSG-A0 | G-CAP-0-P | TPA-A0 | RS | LS | MAL | CPA | MSEAL | RSEAL | 72 | - | 70 | - | - | 67 | 66 | - | - | - | 62 | - | 60 | - | - | - | - | 55 | 54 | 53 | SALEABLE | | 345650003 | | | | | | | | | | | | | | |
| | | | | | | | | | | | - | 51 | - | - | 48 | - | 46 | 45 | 44 | 43 | 42 | - | 40 | 39 | - | - | - | 35 | - | - | | | | | | | | | | | | | | | | | |
| | | | | | | | | | | | - | | | | | | | | | | | | | | | | | | - | - | | | | - | - | - | - | 26 | 25 | - | - | 22 | 21 | - | - | - | - |
| | | | | | | | | | | | - | | | | | | | | | | | | | | | | | | - | 15 | | | | 14 | - | - | - | - | - | 8 | 7 | 6 | 5 | 4 | - | - | - |
| MX123 CONN ASSY 73 CKT BLK OPT0 KEY A/34 | 345661023 | C-HSG-A0 | G-CAP-0-P | TPA-A0 | RS | LS | MAL | CPA | MSEAL | RSEAL | 72 | 71 | - | 69 | 68 | - | - | - | 64 | 63 | 62 | 61 | 60 | 59 | - | - | 56 | - | - | 53 | SALEABLE | | 345650003 | | | | | | | | | | | | | | |
| | | | | | | | | | | | 52 | 51 | - | - | 48 | - | 46 | 45 | - | - | - | - | 40 | - | 38 | - | 36 | - | 34 | 33 | | | | | | | | | | | | | | | | | |
| | | | | | | | | | | | - | | | | | | | | | | | | | | | | | | - | 31 | | | | - | 29 | 28 | - | 26 | - | - | 23 | 22 | - | - | - | - | - |
| | | | | | | | | | | | - | | | | | | | | | | | | | | | | | | - | - | | | | 14 | - | 12 | 11 | - | - | - | 7 | - | - | 4 | - | - | - |

| ASSEMBLY DESCRIPTION | ASSEMBLY PART NUMBER | CONNECTOR HOUSING | GROMMET CAP | TPA | RIGHT SLIDE | LEFT SLIDE | MATE ASSIST LEVER | CPA | MAT SEAL | RING SEAL | BLOCKED TERMINALS | | | | | | | | | | | | | | | | | | | STATUS | COMMENTS | INTEGRAL COMPONENTS SOLD SEPARATELY | | |
|--|----------------------|-------------------|-------------|--------|-------------|------------|-------------------|-----|----------|-----------|--|----|----|----|----|----|----|----|----|----|----|----|----|----|----|----|----|----|----|----------|----------|-------------------------------------|-----------|----|
| | | | | | | | | | | | CAVITY WITH A NUMBER INDICATES BLOCKED TERMINAL POSITION | | | | | | | | | | | | | | | | | | | | | DRESS COVER | | |
| | | | | | | | | | | | CAVITY WITHOUT A NUMBER INDICATES OPEN TERMINAL POSITION | | | | | | | | | | | | | | | | | | | | | | | |
| MX123 CONN ASSY 73 CKT BLK OPTO KEY A/32 | 345661033 | C-HSG-A0 | G-CAP-0-P | TPA-A0 | RS | LS | MAL | CPA | MSEAL | RSEAL | - | 71 | - | 69 | 68 | - | - | - | 64 | 63 | 62 | 61 | 60 | 59 | - | - | 56 | - | - | 53 | SALEABLE | | 345650003 | |
| | | | | | | | | | | | 52 | 51 | - | - | 48 | - | 46 | 45 | - | - | - | - | 40 | - | 38 | - | 36 | - | 34 | 33 | | | | |
| | | | | | | | | | | | - | | | | | | | | | | | | | | | | | | | - | | | | - |
| MX123 CONN ASSY 73 CKT GRY OPTO KEY B/30 | 345661043 | C-HSG-B0 | G-CAP-0-P | TPA-B0 | RS | LS | MAL | CPA | MSEAL | RSEAL | 72 | - | - | 69 | - | 67 | - | - | 64 | 63 | 62 | 61 | 60 | - | - | - | 56 | 55 | - | - | SALEABLE | | 345650003 | |
| | | | | | | | | | | | 52 | - | - | - | - | 47 | - | - | 44 | - | 42 | - | - | - | - | - | - | - | 34 | - | | | | |
| | | | | | | | | | | | - | | | | | | | | | | | | | | | | | | | - | | | | - |
| MX123 CONN ASSY 73 CKT GRY OPTO KEY B/50 | 345661063 | C-HSG-B0 | G-CAP-0-P | TPA-B0 | RS | LS | MAL | CPA | MSEAL | RSEAL | 72 | 71 | 70 | 69 | 68 | 67 | 66 | - | 64 | 63 | 62 | 61 | - | - | 58 | - | - | 54 | - | SALEABLE | | 345650003 | | |
| | | | | | | | | | | | 52 | 51 | 50 | - | - | - | 46 | 45 | - | 43 | 42 | 41 | - | - | 38 | - | - | - | 34 | | | | - | |
| | | | | | | | | | | | - | | | | | | | | | | | | | | | | | | | | | | 32 | 31 |
| MX123 CONN ASSY 73 CKT BLK OPTO KEY A/28 | 345661073 | C-HSG-A0 | G-CAP-0-P | TPA-A0 | RS | LS | MAL | CPA | MSEAL | RSEAL | - | - | - | - | - | - | - | - | - | 62 | - | 60 | - | - | - | - | 55 | - | 53 | SALEABLE | | 345650003 | | |
| | | | | | | | | | | | 52 | 51 | - | - | - | - | 46 | 45 | 44 | 43 | - | - | 40 | 39 | - | - | - | 35 | - | | | | - | |
| | | | | | | | | | | | - | | | | | | | | | | | | | | | | | | | | | | - | - |
| MX123 CONN ASSY 73 CKT GRY OPTO KEY B/28 | 345661083 | C-HSG-B0 | G-CAP-0-P | TPA-B0 | RS | LS | MAL | CPA | MSEAL | RSEAL | 72 | 71 | 70 | 69 | - | - | - | - | 63 | 62 | 61 | 60 | - | - | - | 56 | - | - | - | SALEABLE | | 345650003 | | |
| | | | | | | | | | | | 52 | - | - | - | - | 47 | - | - | 44 | - | - | - | - | - | - | 36 | - | 34 | - | | | | | |
| | | | | | | | | | | | - | | | | | | | | | | | | | | | | | | | | | | - | - |
| MX123 CONN ASSY 73 CKT BLK OPTO KEY A/40 | 345661093 | C-HSG-A0 | G-CAP-0-P | TPA-A0 | RS | LS | MAL | CPA | MSEAL | RSEAL | 72 | 71 | - | 69 | - | - | - | 65 | 64 | 63 | 62 | 61 | 60 | 59 | - | 57 | - | - | 53 | SALEABLE | | 345650003 | | |
| | | | | | | | | | | | 52 | 51 | 50 | - | 48 | - | 46 | 45 | - | - | - | - | 40 | - | 38 | - | - | 35 | - | | | | 33 | |
| | | | | | | | | | | | - | | | | | | | | | | | | | | | | | | | | | | 32 | - |
| MX123 CONN ASSY 73 CKT BLK OPTO KEY A/39 | 345661133 | C-HSG-A0 | G-CAP-0-P | TPA-A0 | RS | LS | MAL | CPA | MSEAL | RSEAL | 72 | 71 | - | 69 | - | - | - | 65 | 64 | 63 | 62 | - | 60 | 59 | - | - | 56 | - | - | 53 | SALEABLE | | 345650003 | |
| | | | | | | | | | | | 52 | 51 | 50 | - | 48 | - | 46 | - | - | - | - | - | 40 | - | 38 | - | 36 | 35 | - | 33 | | | | |
| | | | | | | | | | | | - | | | | | | | | | | | | | | | | | | | - | | | | 31 |
| MX123 CONN ASSY 73 CKT BLK OPTO KEY A/31 | 345661143 | C-HSG-A0 | G-CAP-0-P | TPA-A0 | RS | LS | MAL | CPA | MSEAL | RSEAL | 72 | 71 | 70 | 69 | - | 67 | 66 | - | 64 | - | 62 | - | 60 | - | - | 57 | - | 55 | 54 | - | SALEABLE | | 345650003 | |
| | | | | | | | | | | | - | 51 | - | 49 | 48 | - | 46 | 45 | 44 | 43 | 42 | - | 40 | 39 | - | - | - | - | - | - | | | | |
| | | | | | | | | | | | - | | | | | | | | | | | | | | | | | | | - | | | | - |
| MX123 CONN ASSY 73 CKT BLK OPTO KEY A/42 | 345661153 | C-HSG-A0 | G-CAP-0-P | TPA-A0 | RS | LS | MAL | CPA | MSEAL | RSEAL | 72 | 71 | - | 69 | 68 | - | - | - | 64 | 63 | 62 | 61 | 60 | 59 | - | - | 56 | - | 54 | 53 | SALEABLE | | 345650003 | |
| | | | | | | | | | | | 52 | 51 | 50 | - | 48 | - | 46 | 45 | - | - | - | - | 40 | - | 38 | - | 36 | 35 | 34 | 33 | | | | |
| | | | | | | | | | | | - | | | | | | | | | | | | | | | | | | | - | | | | 31 |
| MX123 CONN ASSY 73 CKT BLK OPTO KEY A/27 | 345661173 | C-HSG-A0 | G-CAP-0-P | TPA-A0 | RS | LS | MAL | CPA | MSEAL | RSEAL | - | - | 70 | - | - | - | - | 65 | - | - | - | - | - | - | - | 57 | - | 55 | - | 53 | SALEABLE | | 345650003 | |
| | | | | | | | | | | | - | 51 | - | - | - | - | 46 | - | 44 | 43 | - | - | 40 | 39 | - | - | - | 35 | - | - | | | | |
| | | | | | | | | | | | - | | | | | | | | | | | | | | | | | | | - | | | | - |
| MX123 CONN ASSY 73 CKT GRY OPTO KEY B/48 | 345661183 | C-HSG-B0 | G-CAP-0-P | TPA-B0 | RS | LS | MAL | CPA | MSEAL | RSEAL | 72 | 71 | 70 | 69 | 68 | 67 | - | - | - | 63 | - | 61 | 60 | - | 58 | - | 56 | - | 54 | - | SALEABLE | | 345650003 | |
| | | | | | | | | | | | 52 | 51 | 50 | - | - | - | 46 | 45 | - | 43 | - | 41 | 40 | - | 38 | - | 36 | - | 34 | - | | | | |
| | | | | | | | | | | | - | | | | | | | | | | | | | | | | | | | 32 | | | | 31 |
| MX123 CONN ASSY 73 CKT BLK OPTO KEY A/32 | 345661193 | C-HSG-A0 | G-CAP-0-P | TPA-A0 | RS | LS | MAL | CPA | MSEAL | RSEAL | - | - | 70 | - | - | - | - | 65 | - | - | - | 61 | - | - | 58 | 57 | 56 | 55 | - | - | SALEABLE | | 345650003 | |
| | | | | | | | | | | | - | 51 | 50 | - | - | 47 | - | 45 | - | - | - | 41 | 40 | - | 38 | 37 | 36 | 35 | - | - | | | | |
| | | | | | | | | | | | - | | | | | | | | | | | | | | | | | | | - | | | | 31 |

| ASSEMBLY DESCRIPTION | ASSEMBLY PART NUMBER | CONNECTOR HOUSING | GROMMET CAP | TPA | RIGHT SLIDE | LEFT SLIDE | MATE ASSIST LEVER | CPA | MAT SEAL | RING SEAL | BLOCKED TERMINALS | | | | | | | | | | | | | | | | | | STATUS | COMMENTS | INTEGRAL COMPONENTS SOLD SEPARATELY | | |
|--|----------------------|-------------------|-------------|--------|-------------|------------|-------------------|-----|----------|-----------|--|----|----|----|----|----|----|----|----|----|----|----|----|----|----|----|----|----|----------|----------|-------------------------------------|-----------|-----------|
| | | | | | | | | | | | CAVITY WITH A NUMBER INDICATES BLOCKED TERMINAL POSITION | | | | | | | | | | | | | | | | | | | | DRESS COVER | | |
| | | | | | | | | | | | CAVITY WITHOUT A NUMBER INDICATES OPEN TERMINAL POSITION | | | | | | | | | | | | | | | | | | | | | | |
| MX123 CONN ASSY 73 CKT BLK OPT0 KEY A/36 | 345661213 | C-HSG-A0 | G-CAP-0-P | TPA-A0 | RS | LS | MAL | CPA | MSEAL | RSEAL | - | - | 70 | - | - | - | - | 65 | - | - | - | 61 | 60 | - | 58 | 57 | 56 | 55 | - | - | SALEABLE | | 345650003 |
| | | | | | | | | | | | - | 51 | 50 | 49 | - | 47 | - | 45 | - | - | - | 41 | 40 | - | 38 | 37 | 36 | 35 | 34 | - | | | |
| | | | | | | | | | | | | | | - | 31 | 30 | - | 28 | - | 26 | 25 | - | - | 22 | 21 | 20 | 19 | 18 | - | | | | |
| | | | | | | | | | | | 16 | 15 | - | - | - | - | 10 | - | - | 7 | 6 | - | - | - | - | - | - | | | | | | |
| MX123 CONN ASSY 73 CKT GRY OPT0 KEY B/48 | 345661223 | C-HSG-B0 | G-CAP-0-P | TPA-B0 | RS | LS | MAL | CPA | MSEAL | RSEAL | 72 | 71 | 70 | 69 | 68 | - | - | - | 64 | - | - | 61 | 60 | - | 58 | - | 56 | - | 54 | - | SALEABLE | | 345650003 |
| | | | | | | | | | | | 52 | 51 | 50 | 49 | - | 47 | 46 | 45 | 44 | - | - | 41 | 40 | - | 38 | - | 36 | - | 34 | - | | | |
| | | | | | | | | | | | | | | 32 | 31 | 30 | - | 28 | - | - | 25 | 24 | - | 22 | - | 20 | 19 | 18 | - | | | | |
| | | | | | | | | | | | 16 | 15 | 14 | 13 | - | 11 | 10 | - | 8 | - | 6 | 5 | 4 | 3 | 2 | 1 | | | | | | | |
| MX123 CONN ASSY 73 CKT GRY OPT0 KEY B/52 | 345661233 | C-HSG-B0 | G-CAP-0-P | TPA-B0 | RS | LS | MAL | CPA | MSEAL | RSEAL | 72 | 71 | 70 | 69 | 68 | 67 | 66 | - | 64 | 63 | - | 61 | 60 | - | 58 | - | 56 | - | 54 | - | SALEABLE | | 345650003 |
| | | | | | | | | | | | 52 | 51 | 50 | 49 | - | 47 | - | 45 | 44 | 43 | - | 41 | 40 | - | 38 | - | 36 | - | 34 | - | | | |
| | | | | | | | | | | | | | | 32 | 31 | 30 | - | 28 | 27 | - | 25 | 24 | - | 22 | - | 20 | 19 | 18 | - | | | | |
| | | | | | | | | | | | 16 | 15 | 14 | 13 | - | 11 | 10 | - | 8 | - | 6 | 5 | 4 | 3 | 2 | 1 | | | | | | | |
| MX123 CONN ASSY 73 CKT GRY OPT0 KEY B/51 | 345661243 | C-HSG-B0 | G-CAP-0-P | TPA-B0 | RS | LS | MAL | CPA | MSEAL | RSEAL | 72 | 71 | 70 | 69 | 68 | 67 | 66 | 65 | 64 | 63 | 62 | 61 | 60 | - | 58 | - | 56 | - | 54 | - | SALEABLE | | 345650003 |
| | | | | | | | | | | | 52 | 51 | - | 49 | - | 47 | - | 45 | 44 | 43 | 42 | 41 | 40 | - | 38 | - | 36 | - | 34 | - | | | |
| | | | | | | | | | | | | | | 32 | 31 | 30 | - | 28 | 27 | 26 | 25 | 24 | - | 22 | - | 20 | 19 | 18 | - | | | | |
| | | | | | | | | | | | 16 | - | 14 | 13 | - | 11 | 10 | 9 | 8 | - | - | - | - | - | - | 2 | 1 | | | | | | |
| MX123 CONN ASSY 73 CKT GRY OPT9 KEY B/55 | 345661253 | C-HSG-B9 | G-CAP-9-P | TPA-B9 | RS | LS | MAL | CPA | MSEAL | RSEAL | 72 | 71 | 70 | 69 | 68 | 67 | 66 | - | 64 | 63 | 62 | 61 | - | - | 58 | - | 56 | - | 54 | - | SALEABLE | | 345650003 |
| | | | | | | | | | | | 52 | 51 | 50 | - | - | 47 | - | 45 | 44 | 43 | 42 | 41 | - | - | 38 | - | 36 | - | 34 | - | | | |
| | | | | | | | | | | | | | | 32 | 31 | 30 | 29 | 28 | 27 | 26 | 25 | - | - | 22 | - | 20 | 19 | 18 | 17 | | | | |
| | | | | | | | | | | | 16 | 15 | 14 | 13 | 12 | 11 | 10 | 9 | 8 | 7 | 6 | 5 | 4 | 3 | - | 1 | | | | | | | |
| MX123 CONN ASSY 73 CKT BLK OPT9 KEY A/32 | 345661263 | C-HSG-A9 | G-CAP-9-P | TPA-A9 | RS | LS | MAL | CPA | MSEAL | RSEAL | - | - | 70 | - | - | - | - | 65 | - | - | - | 61 | 60 | - | 58 | 57 | - | 55 | 54 | - | SALEABLE | | 345650003 |
| | | | | | | | | | | | 52 | 51 | - | 49 | - | 47 | - | 45 | - | - | - | 41 | 40 | - | 38 | 37 | - | - | 34 | - | | | |
| | | | | | | | | | | | | | | - | 31 | - | - | 28 | - | 26 | 25 | - | - | 22 | 21 | - | 19 | 18 | - | | | | |
| | | | | | | | | | | | 16 | 15 | - | - | - | - | 10 | - | - | 7 | 6 | - | - | - | - | - | | | | | | | |
| MX123 CONN ASSY 73 CKT BLK OPT0 KEY A/33 | 345661273 | C-HSG-A0 | G-CAP-0-P | TPA-A0 | RS | LS | MAL | CPA | MSEAL | RSEAL | 72 | 71 | - | - | - | 67 | 66 | - | - | - | 62 | - | 60 | - | - | - | 55 | 54 | 53 | SALEABLE | | 345650003 | |
| | | | | | | | | | | | - | 51 | - | - | - | - | 46 | 45 | 44 | 43 | 42 | - | 40 | 39 | - | - | - | 35 | - | | | | - |
| | | | | | | | | | | | | | | - | - | - | - | - | - | 26 | 25 | - | - | 22 | 21 | - | - | - | 17 | | | | |
| | | | | | | | | | | | - | 15 | 14 | - | - | - | - | - | 8 | 7 | 6 | 5 | 4 | 3 | 2 | - | | | | | | | |
| MX123 CONN ASSY 73 CKT BLK OPT0 KEY A/28 | 345661283 | C-HSG-A0 | G-CAP-0-P | TPA-A0 | RS | LS | MAL | CPA | MSEAL | RSEAL | - | - | - | - | - | 67 | - | - | - | - | 62 | - | 60 | - | - | - | 55 | - | 53 | SALEABLE | | 345650003 | |
| | | | | | | | | | | | - | 51 | - | - | - | - | 46 | 45 | 44 | 43 | - | - | 40 | 39 | - | - | - | 35 | - | | | | - |
| | | | | | | | | | | | | | | - | - | - | - | - | - | 25 | - | - | 22 | 21 | - | - | - | 17 | | | | | |
| | | | | | | | | | | | - | 15 | 14 | - | - | - | - | - | 8 | 7 | 6 | 5 | 4 | 3 | 2 | 1 | | | | | | | |
| MX123 CONN ASSY 73 CKT BLK OPT0 KEY A/38 | 345661293 | C-HSG-A0 | G-CAP-0-P | TPA-A0 | RS | LS | MAL | CPA | MSEAL | RSEAL | 72 | 71 | 70 | 69 | - | 67 | 66 | - | 64 | - | 62 | - | 60 | - | - | 57 | - | 55 | 54 | 53 | SALEABLE | | 345650003 |
| | | | | | | | | | | | - | 51 | - | 49 | 48 | - | 46 | 45 | 44 | 43 | 42 | - | 40 | 39 | - | - | - | 35 | - | - | | | |
| | | | | | | | | | | | | | | - | - | - | - | - | - | 26 | 25 | - | - | 22 | 21 | - | - | - | - | | | | |
| | | | | | | | | | | | - | 15 | 14 | - | - | - | - | - | 8 | 7 | 6 | 5 | 4 | 3 | 2 | - | | | | | | | |
| MX123 CONN ASSY 73 CKT BLK OPT9 KEY A/73 | 345661303 | C-HSG-A9 | G-CAP-9-P | TPA-A9 | RS | LS | MAL | CPA | MSEAL | RSEAL | - | - | - | - | - | - | - | - | - | - | - | - | - | - | - | - | - | - | SALEABLE | | 345650003 | | |
| | | | | | | | | | | | - | - | - | - | - | - | - | - | - | - | - | - | - | - | - | - | - | - | | | | - | - |
| | | | | | | | | | | | | | | - | - | - | - | - | - | - | - | - | - | - | - | - | - | - | | | | - | - |
| | | | | | | | | | | | - | - | - | - | - | - | - | - | - | - | - | - | - | - | - | - | | | | | | | |
| MX123 CONN ASSY 73 CKT BLK OPT0 KEY A/4 | 345661323 | C-HSG-A0 | G-CAP-0-P | TPA-A0 | RS | LS | MAL | CPA | MSEAL | RSEAL | - | - | - | - | - | - | - | - | - | - | - | 61 | - | - | - | - | - | - | SALEABLE | | 345650003 | | |
| | | | | | | | | | | | - | - | - | - | - | - | - | - | - | - | - | - | - | - | - | - | - | - | | | | - | - |
| | | | | | | | | | | | | | | - | - | - | - | - | - | 26 | - | - | - | - | - | - | - | - | | | | - | |
| | | | | | | | | | | | - | - | - | - | - | - | 10 | - | - | - | - | - | - | - | - | | | | | | | | |
| MX123 CONN ASSY 73 CKT BLK OPT0 KEY A/36 | 345661333 | C-HSG-A0 | G-CAP-0-P | TPA-A0 | RS | LS | MAL | CPA | MSEAL | RSEAL | 72 | 71 | - | - | - | 67 | 66 | - | - | 63 | 62 | 61 | 60 | - | - | 57 | - | 55 | 54 | 53 | SALEABLE | | 345650003 |
| | | | | | | | | | | | - | 51 | - | - | 48 | - | 46 | 45 | 44 | 43 | 42 | - | 40 | 39 | - | - | - | 35 | - | 33 | | | |
| | | | | | | | | | | | | | | - | - | - | - | - | - | 26 | 25 | 24 | - | 22 | 21 | - | - | - | - | | | | |
| | | | | | | | | | | | - | 15 | 14 | - | - | - | - | - | 7 | - | 5 | 4 | 3 | 2 | - | | | | | | | | |

| ASSEMBLY DESCRIPTION | ASSEMBLY PART NUMBER | CONNECTOR HOUSING | GROMMET CAP | TPA | RIGHT SLIDE | LEFT SLIDE | MATE ASSIST LEVER | CPA | MAT SEAL | RING SEAL | BLOCKED TERMINALS | | | | | | | | | | | | | | | | | | | STATUS | COMMENTS | INTEGRAL COMPONENTS SOLD SEPARATELY | | |
|--|----------------------|-------------------|-------------|--------|-------------|------------|-------------------|-----|----------|-----------|--|----|----|----|----|----|----|----|----|----|----|----|----|----|----|----|----|----|----------|----------|-----------|-------------------------------------|-----------|----|
| | | | | | | | | | | | CAVITY WITH A NUMBER INDICATES BLOCKED TERMINAL POSITION | | | | | | | | | | | | | | | | | | | | | DRESS COVER | | |
| | | | | | | | | | | | CAVITY WITHOUT A NUMBER INDICATES OPEN TERMINAL POSITION | | | | | | | | | | | | | | | | | | | | | | | |
| MX123 CONN ASSY 73 CKT BLK OPT0 KEY A/31 | 345661343 | C-HSG-A0 | G-CAP-0-P | TPA-A0 | RS | LS | MAL | CPA | MSEAL | RSEAL | - | - | 70 | - | 68 | - | 66 | - | - | - | 62 | 61 | 60 | - | - | - | - | 55 | 54 | 53 | SALEABLE | | 345650003 | |
| | | | | | | | | | | | 52 | 51 | - | - | - | - | 46 | 45 | 44 | 43 | 42 | - | 40 | 39 | - | - | - | - | 35 | - | | | | 33 |
| | | | | | | | | | | | | | | | | | | | | | | | | | | | | | | - | | | | 15 |
| MX123 CONN ASSY 73 CKT BLK OPT0 KEY A/38 | 345661363 | C-HSG-A0 | G-CAP-0-P | TPA-A0 | RS | LS | MAL | CPA | MSEAL | RSEAL | - | - | 70 | - | - | - | 65 | - | - | - | 61 | 60 | - | 58 | 57 | 56 | 55 | 54 | - | SALEABLE | | 345650003 | | |
| | | | | | | | | | | | 52 | 51 | 50 | 49 | - | 47 | - | 45 | - | - | - | 41 | 40 | - | 38 | 37 | 36 | 35 | 34 | | | | - | |
| | | | | | | | | | | | | | | | | | | | | | | | | | | | | | | | | | - | 31 |
| MX123 CONN ASSY 73 CKT GRY OPT0 KEY B/51 | 345661373 | C-HSG-B0 | G-CAP-0-P | TPA-B0 | RS | LS | MAL | CPA | MSEAL | RSEAL | 72 | 71 | 70 | 69 | 68 | 67 | - | - | 64 | 63 | - | 61 | 60 | - | 58 | - | 56 | - | 54 | - | SALEABLE | | 345650003 | |
| | | | | | | | | | | | 52 | 51 | 50 | 49 | - | 47 | - | 45 | 44 | 43 | - | 41 | 40 | - | 38 | - | 36 | - | 34 | - | | | | |
| | | | | | | | | | | | | | | | | | | | | | | | | | | | | | | 32 | | | | 31 |
| MX123 CONN ASSY 73 CKT GRY OPT0 KEY B/51 | 345661383 | C-HSG-B0 | G-CAP-0-P | TPA-B0 | RS | LS | MAL | CPA | MSEAL | RSEAL | 72 | 71 | 70 | 69 | 68 | 67 | 66 | - | 64 | 63 | 62 | 61 | 60 | - | - | - | 56 | - | 54 | - | SALEABLE | | 345650003 | |
| | | | | | | | | | | | 52 | 51 | 50 | - | - | - | 45 | 44 | 43 | 42 | 41 | 40 | - | - | - | 36 | - | 34 | - | | | | | |
| | | | | | | | | | | | | | | | | | | | | | | | | | | | | | | 32 | | | | 31 |
| MX123 CONN ASSY 73 CKT GRY OPT0 KEY B/51 | 345661383 | C-HSG-B0 | G-CAP-0-P | TPA-B0 | RS | LS | MAL | CPA | MSEAL | RSEAL | 72 | 71 | 70 | 69 | 68 | 67 | 66 | - | 64 | 63 | 62 | 61 | 60 | - | - | - | 56 | - | 54 | - | SALEABLE | | 345650003 | |
| | | | | | | | | | | | 52 | 51 | 50 | - | - | - | 45 | 44 | 43 | 42 | 41 | 40 | - | - | - | 36 | - | 34 | - | | | | | |
| | | | | | | | | | | | | | | | | | | | | | | | | | | | | | | 32 | | | | 31 |
| MX123 CONN ASSY 73 CKT GRY OPT0 KEY B/51 | 345661383 | C-HSG-B0 | G-CAP-0-P | TPA-B0 | RS | LS | MAL | CPA | MSEAL | RSEAL | 72 | 71 | 70 | 69 | 68 | 67 | 66 | - | 64 | 63 | 62 | 61 | 60 | - | - | - | 56 | - | 54 | - | SALEABLE | | 345650003 | |
| | | | | | | | | | | | 52 | 51 | 50 | - | - | - | 45 | 44 | 43 | 42 | 41 | 40 | - | - | - | 36 | - | 34 | - | | | | | |
| | | | | | | | | | | | | | | | | | | | | | | | | | | | | | | 32 | | | | 31 |
| MX123 CONN ASSY 73 CKT BLK OPT0 KEY A/41 | 345661393 | C-HSG-A0 | G-CAP-0-P | TPA-A0 | RS | LS | MAL | CPA | MSEAL | RSEAL | 72 | 71 | - | 69 | 68 | - | - | 65 | 64 | 63 | 62 | - | 60 | 59 | - | - | 56 | - | - | 53 | SALEABLE | | 345650003 | |
| | | | | | | | | | | | 52 | 51 | 50 | 49 | 48 | - | 46 | - | - | - | - | 40 | - | 38 | - | 36 | 35 | - | 33 | | | | | |
| | | | | | | | | | | | | | | | | | | | | | | | | | | | | | | - | | | | 31 |
| MX123 CONN ASSY 73 CKT GRY OPT9 KEY B/73 | 345661403 | C-HSG-B9 | G-CAP-9-P | TPA-B9 | RS | LS | MAL | CPA | MSEAL | RSEAL | - | - | - | - | - | - | - | - | - | - | - | - | - | - | - | - | - | - | SALEABLE | | 345650003 | | | |
| | | | | | | | | | | | - | - | - | - | - | - | - | - | - | - | - | - | - | - | - | - | - | - | | | | - | | |
| | | | | | | | | | | | | | | | | | | | | | | | | | | | | | | | | - | - | - |
| MX123 CONN ASSY 73 CKT GRY OPT0 KEY B/25 | 345661423 | C-HSG-B0 | G-CAP-0-P | TPA-B0 | RS | LS | MAL | CPA | MSEAL | RSEAL | 72 | 71 | 70 | 69 | - | - | - | - | 64 | 63 | 62 | - | - | - | - | 56 | 55 | - | - | SALEABLE | | 345650003 | | |
| | | | | | | | | | | | 52 | - | - | - | - | - | - | - | 44 | - | - | - | - | - | - | 36 | - | - | - | | | | | |
| | | | | | | | | | | | | | | | | | | | | | | | | | | | | | | | | | - | - |
| MX123 CONN ASSY 73 CKT GRY OPT0 KEY B/52 | 345661433 | C-HSG-B0 | G-CAP-0-P | TPA-B0 | RS | LS | MAL | CPA | MSEAL | RSEAL | 72 | 71 | 70 | 69 | 68 | 67 | - | 65 | 64 | 63 | 62 | 61 | 60 | - | 58 | - | 56 | - | 54 | - | SALEABLE | | 345650003 | |
| | | | | | | | | | | | 52 | 51 | 50 | - | - | 47 | - | 45 | 44 | 43 | 42 | 41 | 40 | - | 38 | - | 36 | - | 34 | - | | | | |
| | | | | | | | | | | | | | | | | | | | | | | | | | | | | | | - | | | | 31 |
| MX123 CONN ASSY 73 CKT GRY OPT0 KEY B/52 | 345661433 | C-HSG-B0 | G-CAP-0-P | TPA-B0 | RS | LS | MAL | CPA | MSEAL | RSEAL | 72 | 71 | 70 | 69 | 68 | 67 | - | 65 | 64 | 63 | 62 | 61 | 60 | - | 58 | - | 56 | - | 54 | - | SALEABLE | | 345650003 | |
| | | | | | | | | | | | 52 | 51 | 50 | - | - | 47 | - | 45 | 44 | 43 | 42 | 41 | 40 | - | 38 | - | 36 | - | 34 | - | | | | |
| | | | | | | | | | | | | | | | | | | | | | | | | | | | | | | - | | | | 31 |
| MX123 CONN ASSY 73 CKT GRY OPT0 KEY B/51 | 345661443 | C-HSG-B0 | G-CAP-0-P | TPA-B0 | RS | LS | MAL | CPA | MSEAL | RSEAL | 72 | 71 | 70 | - | - | 67 | - | 65 | 64 | 63 | 62 | 61 | 60 | - | 58 | - | 56 | - | 54 | - | SALEABLE | | 345650003 | |
| | | | | | | | | | | | 52 | 51 | 50 | - | - | 47 | - | 45 | 44 | 43 | 42 | 41 | 40 | - | 38 | - | 36 | - | 34 | - | | | | |
| | | | | | | | | | | | | | | | | | | | | | | | | | | | | | | 32 | | | | 31 |
| MX123 CONN ASSY 73 CKT GRY OPT0 KEY B/51 | 345661443 | C-HSG-B0 | G-CAP-0-P | TPA-B0 | RS | LS | MAL | CPA | MSEAL | RSEAL | 72 | 71 | 70 | - | - | 67 | - | 65 | 64 | 63 | 62 | 61 | 60 | - | 58 | - | 56 | - | 54 | - | SALEABLE | | 345650003 | |
| | | | | | | | | | | | 52 | 51 | 50 | - | - | 47 | - | 45 | 44 | 43 | 42 | 41 | 40 | - | 38 | - | 36 | - | 34 | - | | | | |
| | | | | | | | | | | | | | | | | | | | | | | | | | | | | | | 32 | | | | 31 |
| MX123 CONN ASSY 73 CKT GRY OPT0 KEY B/47 | 345661453 | C-HSG-B0 | G-CAP-0-P | TPA-B0 | RS | LS | MAL | CPA | MSEAL | RSEAL | 72 | 71 | 70 | 69 | 68 | 67 | - | - | 63 | - | 61 | 60 | - | 58 | - | 56 | - | 54 | - | SALEABLE | | 345650003 | | |
| | | | | | | | | | | | 52 | 51 | 50 | - | - | 46 | 45 | - | 43 | - | 41 | 40 | - | 38 | - | 36 | - | 34 | - | | | | | |
| | | | | | | | | | | | | | | | | | | | | | | | | | | | | | | | | | 32 | 31 |
| MX123 CONN ASSY 73 CKT GRY OPT0 KEY B/47 | 345661453 | C-HSG-B0 | G-CAP-0-P | TPA-B0 | RS | LS | MAL | CPA | MSEAL | RSEAL | 72 | 71 | 70 | 69 | 68 | 67 | - | - | 63 | - | 61 | 60 | - | 58 | - | 56 | - | 54 | - | SALEABLE | | 345650003 | | |
| | | | | | | | | | | | 52 | 51 | 50 | - | - | 46 | 45 | - | 43 | - | 41 | 40 | - | 38 | - | 36 | - | 34 | - | | | | | |
| | | | | | | | | | | | | | | | | | | | | | | | | | | | | | | | | | 32 | 31 |
| MX123 CONN ASSY 73 CKT GRY OPT0 KEY B/47 | 345661453 | C-HSG-B0 | G-CAP-0-P | TPA-B0 | RS | LS | MAL | CPA | MSEAL | RSEAL | 72 | 71 | 70 | 69 | 68 | 67 | - | - | 63 | - | 61 | 60 | - | 58 | - | 56 | - | 54 | - | SALEABLE | | 345650003 | | |
| | | | | | | | | | | | 52 | 51 | 50 | - | - | 46 | 45 | - | 43 | - | 41 | 40 | - | 38 | - | 36 | - | 34 | - | | | | | |
| | | | | | | | | | | | | | | | | | | | | | | | | | | | | | | | | | 32 | 31 |
| MX123 CONN ASSY 73 CKT BLK OPT0 KEY A/31 | 345661463 | C-HSG-A0 | G-CAP-0-P | TPA-A0 | RS | LS | MAL | CPA | MSEAL | RSEAL | 72 | 71 | 70 | - | - | 67 | 66 | - | - | - | - | - | - | - | 57 | - | 55 | 54 | 53 | SALEABLE | | 345650003 | | |
| | | | | | | | | | | | - | 51 | - | - | - | 46 | - | 44 | 43 | 42 | - | 40 | 39 | - | - | - | 35 | - | - | | | | | |
| | | | | | | | | | | | | | | | | | | | | | | | | | | | | | | | | | - | - |
| MX123 CONN ASSY 73 CKT BLK OPT0 KEY A/31 | 345661463 | C-HSG-A0 | G-CAP-0-P | TPA-A0 | RS | LS | MAL | CPA | MSEAL | RSEAL | 72 | 71 | 70 | - | - | 67 | 66 | - | - | - | - | - | - | - | 57 | - | 55 | 54 | 53 | SALEABLE | | 345650003 | | |
| | | | | | | | | | | | - | 51 | - | - | - | 46 | - | 44 | 43 | 42 | - | 40 | 39 | - | - | - | 35 | - | - | | | | | |
| | | | | | | | | | | | | | | | | | | | | | | | | | | | | | | | | | - | - |
| MX123 CONN ASSY 73 CKT BLK OPT0 KEY A/32 | 345661473 | C-HSG-A0 | G-CAP-0-P | TPA-A0 | RS | LS | MAL | CPA | MSEAL | RSEAL | - | - | 70 | - | - | - | - | 65 | - | - | - | 61 | 60 | - | 58 | 57 | 56 | 55 | - | - | SALEABLE | | 345650003 | |
| | | | | | | | | | | | - | 51 | 50 | - | - | 47 | - | 45 | - | - | - | 41 | 40 | - | 38 | 37 | 36 | 35 | - | - | | | | |
| | | | | | | | | | | | | | | | | | | | | | | | | | | | | | | - | | | | 31 |
| MX123 CONN ASSY 73 CKT BLK OPT0 KEY A/32 | 345661473 | C-HSG-A0 | G-CAP-0-P | TPA-A0 | RS | LS | MAL | CPA | MSEAL | RSEAL | - | - | 70 | - | - | - | - | 65 | - | - | - | 61 | 60 | - | 58 | 57 | 56 | 55 | - | - | SALEABLE | | 345650003 | |
| | | | | | | | | | | | - | 51 | 50 | - | - | 47 | - | 45 | - | - | - | 41 | 40 | - | 38 | 37 | 36 | 35 | - | - | | | | |
| | | | | | | | | | | | | | | | | | | | | | | | | | | | | | | - | | | | 31 |

| ASSEMBLY DESCRIPTION | ASSEMBLY PART NUMBER | CONNECTOR HOUSING | GROMMET CAP | TPA | RIGHT SLIDE | LEFT SLIDE | MATE ASSIST LEVER | CPA | MAT SEAL | RING SEAL | BLOCKED TERMINALS | | | | | | | | | | | | | | | | | | | | STATUS | COMMENTS | INTEGRAL COMPONENTS SOLD SEPARATELY |
|--|----------------------|-------------------|-------------|--------|-------------|------------|-------------------|-----|----------|-----------|--|----|----|----|----|----|----|----|----|----|----|----|----|----|----|----|----|----|----|----------|----------|-----------|-------------------------------------|
| | | | | | | | | | | | CAVITY WITH A NUMBER INDICATES BLOCKED TERMINAL POSITION | | | | | | | | | | | | | | | | | | | | | | DRESS COVER |
| | | | | | | | | | | | CAVITY WITHOUT A NUMBER INDICATES OPEN TERMINAL POSITION | | | | | | | | | | | | | | | | | | | | | | |
| MX123 CONN ASSY 73 CKT BLK OPT0 KEY A/33 | 345661483 | C-HSG-A0 | G-CAP-0-P | TPA-A0 | RS | LS | MAL | CPA | MSEAL | RSEAL | - | - | 70 | - | - | 67 | 66 | - | - | - | 62 | - | 60 | - | - | 57 | - | 55 | 54 | 53 | SALEABLE | | 345650003 |
| | | | | | | | | | | | - | 51 | - | - | 48 | - | 46 | 45 | 44 | 43 | 42 | - | 40 | 39 | - | - | - | 35 | - | - | | | |
| | | | | | | | | | | | - | - | - | - | - | - | - | - | - | 26 | 25 | - | - | 22 | 21 | - | - | - | - | - | | | |
| MX123 CONN ASSY 73 CKT GRY OPT0 KEY B/49 | 345661493 | C-HSG-B0 | G-CAP-0-P | TPA-B0 | RS | LS | MAL | CPA | MSEAL | RSEAL | 72 | 71 | 70 | 69 | - | 67 | 66 | 65 | 64 | 63 | 62 | 61 | 60 | - | - | - | 56 | - | 54 | - | SALEABLE | | 345650003 |
| | | | | | | | | | | | 52 | 51 | 50 | - | - | 47 | - | 45 | 44 | 43 | 42 | 41 | 40 | - | - | - | 36 | - | 34 | - | | | |
| | | | | | | | | | | | - | - | - | - | 32 | 31 | 30 | - | 28 | 27 | 26 | 25 | 24 | - | - | - | 20 | 19 | - | - | | | |
| MX123 CONN ASSY 73 CKT BLU OPT9 KEY C/73 | 345661503 | C-HSG-C9 | G-CAP-9-P | TPA-C9 | RS | LS | MAL | CPA | MSEAL | RSEAL | - | - | - | - | - | - | - | - | - | - | - | - | - | - | - | - | - | - | - | SALEABLE | | 345650003 | |
| | | | | | | | | | | | - | - | - | - | - | - | - | - | - | - | - | - | - | - | - | - | - | - | - | | | | - |
| | | | | | | | | | | | - | - | - | - | - | - | - | - | - | - | - | - | - | - | - | - | - | - | - | | | | - |
| MX123 CONN ASSY 73 CKT GRY OPT0 KEY B/55 | 345661513 | C-HSG-B0 | G-CAP-0-P | TPA-B0 | RS | LS | MAL | CPA | MSEAL | RSEAL | 72 | 71 | 70 | 69 | 68 | 67 | 66 | - | 64 | 63 | 62 | 61 | 60 | - | 58 | - | 56 | - | 54 | - | SALEABLE | | 345650003 |
| | | | | | | | | | | | 52 | 51 | 50 | - | - | 47 | - | 45 | 44 | 43 | 42 | 41 | 40 | - | 38 | - | 36 | - | 34 | - | | | |
| | | | | | | | | | | | - | - | - | - | 32 | 31 | 30 | - | 28 | 27 | 26 | 25 | 24 | - | 22 | - | 20 | 19 | 18 | - | | | |
| MX123 CONN ASSY 73 CKT BLK OPT0 KEY A/34 | 345661523 | C-HSG-A0 | G-CAP-0-P | TPA-A0 | RS | LS | MAL | CPA | MSEAL | RSEAL | 72 | 71 | - | - | - | 67 | 66 | - | - | 63 | 62 | 61 | 60 | - | - | 57 | - | 55 | - | 53 | SALEABLE | | 345650003 |
| | | | | | | | | | | | - | 51 | - | - | 48 | - | 46 | 45 | 44 | 43 | - | - | 40 | 39 | - | - | - | 35 | - | 33 | | | |
| | | | | | | | | | | | - | - | - | - | - | - | - | - | - | - | - | 25 | 24 | - | 22 | 21 | - | - | - | - | | | |
| MX123 CONN ASSY 73 CKT BLK OPT0 KEY A/28 | 345661533 | C-HSG-A0 | G-CAP-0-P | TPA-A0 | RS | LS | MAL | CPA | MSEAL | RSEAL | - | - | - | - | - | 67 | 66 | - | - | - | 62 | - | 60 | - | - | - | - | 55 | 54 | 53 | SALEABLE | | 345650003 |
| | | | | | | | | | | | - | - | - | - | 48 | - | 46 | 45 | 44 | 43 | 42 | - | 40 | 39 | - | - | - | 35 | - | - | | | |
| | | | | | | | | | | | - | - | - | - | - | - | - | - | - | - | 26 | 25 | - | - | 22 | 21 | - | - | - | - | | | |
| MX123 CONN ASSY 73 CKT GRY OPT0 KEY B/53 | 345661543 | C-HSG-B0 | G-CAP-0-P | TPA-B0 | RS | LS | MAL | CPA | MSEAL | RSEAL | 72 | 71 | 70 | - | - | 67 | - | 65 | 64 | 63 | 62 | 61 | 60 | - | 58 | - | 56 | - | 54 | - | SALEABLE | | 345650003 |
| | | | | | | | | | | | 52 | 51 | 50 | - | - | 47 | - | 45 | 44 | 43 | 42 | 41 | 40 | - | 38 | - | 36 | - | 34 | - | | | |
| | | | | | | | | | | | - | - | - | - | 32 | 31 | 30 | - | 28 | 27 | 26 | 25 | 24 | - | 22 | - | 20 | 19 | 18 | 17 | | | |
| MX123 CONN ASSY 73 CKT BLK OPT0 KEY A/73 | 345661553 | C-HSG-A0 | G-CAP-0-P | TPA-A0 | RS | LS | MAL | CPA | MSEAL | RSEAL | 72 | 71 | 70 | 69 | 68 | 67 | 66 | 65 | 64 | 63 | 62 | 61 | 60 | 59 | 58 | 57 | 56 | 55 | 54 | 53 | SALEABLE | | 345650003 |
| | | | | | | | | | | | 52 | 51 | 50 | 49 | 48 | 47 | 46 | 45 | 44 | 43 | 42 | 41 | 40 | 39 | 38 | 37 | 36 | 35 | 34 | 33 | | | |
| | | | | | | | | | | | - | - | - | - | 32 | 31 | 30 | 29 | 28 | 27 | 26 | 25 | 24 | 23 | 22 | 21 | 20 | 19 | 18 | 17 | | | |
| MX123 CONN ASSY 73 CKT BLK OPT9 KEY A/73 | 345661563 | C-HSG-A9 | G-CAP-9-P | TPA-A9 | RS | LS | MAL | CPA | MSEAL | RSEAL | 72 | 71 | 70 | 69 | 68 | 67 | 66 | 65 | 64 | 63 | 62 | 61 | 60 | 59 | 58 | 57 | 56 | 55 | 54 | 53 | SALEABLE | | 345650003 |
| | | | | | | | | | | | 52 | 51 | 50 | 49 | 48 | 47 | 46 | 45 | 44 | 43 | 42 | 41 | 40 | 39 | 38 | 37 | 36 | 35 | 34 | 33 | | | |
| | | | | | | | | | | | - | - | - | - | 32 | 31 | 30 | 29 | 28 | 27 | 26 | 25 | 24 | 23 | 22 | 21 | 20 | 19 | 18 | 17 | | | |
| MX123 CONN ASSY 73 CKT BLK OPT0 KEY A/35 | 345661583 | C-HSG-A0 | G-CAP-0-P | TPA-A0 | RS | LS | MAL | CPA | MSEAL | RSEAL | 72 | 71 | - | 69 | 68 | - | - | - | 64 | 63 | 62 | - | 60 | 59 | - | - | 56 | - | - | 53 | SALEABLE | | 345650003 |
| | | | | | | | | | | | 52 | 51 | 50 | - | 48 | - | 46 | - | - | - | - | - | 40 | - | 38 | - | 36 | 35 | - | 33 | | | |
| | | | | | | | | | | | - | - | - | - | - | 31 | - | 29 | 28 | - | 26 | - | - | 23 | 22 | - | - | - | - | - | | | |
| MX123 CONN ASSY 73 CKT GRY OPT0 KEY B/30 | 345661593 | C-HSG-B0 | G-CAP-0-P | TPA-B0 | RS | LS | MAL | CPA | MSEAL | RSEAL | 72 | 71 | 70 | 69 | 68 | - | 66 | - | 64 | 63 | 62 | - | - | - | - | 56 | 55 | - | - | SALEABLE | | 345650003 | |
| | | | | | | | | | | | 52 | - | - | - | - | - | - | - | 44 | - | - | 41 | - | - | 38 | - | 36 | 35 | - | | | | - |
| | | | | | | | | | | | - | - | - | - | - | - | - | 29 | 28 | 27 | - | 25 | - | - | - | - | - | 19 | 18 | | | | 17 |
| MX123 CONN ASSY 73 CKT GRY OPT0 KEY B/51 | 345661623 | C-HSG-B0 | G-CAP-0-P | TPA-B0 | RS | LS | MAL | CPA | MSEAL | RSEAL | 72 | 71 | 70 | 69 | 68 | 67 | - | - | 64 | 63 | - | 61 | 60 | - | 58 | - | 56 | - | 54 | - | SALEABLE | | 345650003 |
| | | | | | | | | | | | 52 | 51 | 50 | 49 | - | - | 46 | 45 | 44 | 43 | - | 41 | 40 | - | 38 | - | 36 | - | 34 | - | | | |
| | | | | | | | | | | | - | - | - | - | 32 | 31 | 30 | - | 28 | 27 | - | 25 | 24 | - | 22 | - | 20 | 19 | 18 | - | | | |

| ASSEMBLY DESCRIPTION | ASSEMBLY PART NUMBER | CONNECTOR HOUSING | GROMMET CAP | TPA | RIGHT SLIDE | LEFT SLIDE | MATE ASSIST LEVER | CPA | MAT SEAL | RING SEAL | BLOCKED TERMINALS | | | | | | | | | | | | | | | | | | STATUS | COMMENTS | INTEGRAL COMPONENTS SOLD SEPARATELY | |
|--|----------------------|-------------------|-------------|--------|-------------|------------|-------------------|-----|----------|-----------|--|----|----|----|----|----|----|----|----|----|----|----|----|----|----|----|----|----|--------|----------|-------------------------------------|----|
| | | | | | | | | | | | CAVITY WITH A NUMBER INDICATES BLOCKED TERMINAL POSITION | | | | | | | | | | | | | | | | | | | | DRESS COVER | |
| | | | | | | | | | | | CAVITY WITHOUT A NUMBER INDICATES OPEN TERMINAL POSITION | | | | | | | | | | | | | | | | | | | | | |
| MX123 CONN ASSY 73 CKT GRY OPTO KEY B/46 | 345661633 | C-HSG-B0 | G-CAP-0-P | TPA-B0 | RS | LS | MAL | CPA | MSEAL | RSEAL | 72 | 71 | 70 | - | - | 67 | - | 65 | 64 | 63 | 62 | 61 | 60 | - | 58 | - | 56 | - | 54 | - | | |
| | | | | | | | | | | | 52 | 51 | - | 49 | - | - | 46 | 45 | 44 | 43 | 42 | 41 | 40 | - | 38 | - | 36 | - | 34 | - | | |
| | | | | | | | | | | | | | | | | | 32 | 31 | 30 | - | 28 | 27 | 26 | 25 | 24 | - | 22 | - | 20 | 19 | 18 | - |
| | | | | | | | | | | | | | | | | | 16 | - | 14 | 13 | - | - | - | 9 | 8 | - | - | - | - | - | 2 | 1 |
| MX123 CONN ASSY 73 CKT GRY OPTO KEY B/46 | 345661643 | C-HSG-B0 | G-CAP-0-P | TPA-B0 | RS | LS | MAL | CPA | MSEAL | RSEAL | 72 | 71 | 70 | - | - | 67 | - | 65 | 64 | 63 | 62 | 61 | 60 | - | 58 | - | 56 | - | 54 | - | | |
| | | | | | | | | | | | 52 | 51 | - | 49 | - | - | 47 | - | 45 | 44 | 43 | 42 | 41 | 40 | - | 38 | - | 36 | - | 34 | - | |
| | | | | | | | | | | | | | | | | | 32 | 31 | 30 | - | 28 | 27 | 26 | 25 | 24 | - | 22 | - | 20 | 19 | 18 | - |
| | | | | | | | | | | | | | | | | | 16 | - | 14 | 13 | - | - | - | 9 | 8 | - | - | - | - | - | 2 | 1 |
| MX123 CONN ASSY 73 CKT GRY OPTO KEY B/50 | 345661653 | C-HSG-B0 | G-CAP-0-P | TPA-B0 | RS | LS | MAL | CPA | MSEAL | RSEAL | 72 | 71 | 70 | 69 | 68 | 67 | - | 65 | 64 | 63 | 62 | 61 | 60 | - | 58 | - | 56 | - | 54 | - | | |
| | | | | | | | | | | | 52 | 51 | - | 49 | - | - | 47 | - | 45 | 44 | 43 | 42 | 41 | 40 | - | 38 | - | 36 | - | 34 | - | |
| | | | | | | | | | | | | | | | | | 32 | 31 | 30 | - | 28 | 27 | 26 | 25 | 24 | - | 22 | - | 20 | 19 | 18 | - |
| | | | | | | | | | | | | | | | | | 16 | - | 14 | 13 | - | 11 | 10 | 9 | 8 | - | - | - | - | - | 2 | 1 |
| MX123 CONN ASSY 73 CKT GRY OPTO KEY B/52 | 345661663 | C-HSG-B0 | G-CAP-0-P | TPA-B0 | RS | LS | MAL | CPA | MSEAL | RSEAL | 72 | 71 | 70 | 69 | 68 | 67 | - | 65 | 64 | 63 | 62 | 61 | 60 | - | 58 | - | 56 | - | 54 | - | | |
| | | | | | | | | | | | 52 | 51 | - | 49 | - | - | 47 | - | 45 | 44 | 43 | 42 | 41 | 40 | - | 38 | - | 36 | - | 34 | - | |
| | | | | | | | | | | | | | | | | | 32 | 31 | 30 | - | 28 | 27 | 26 | 25 | 24 | - | 22 | - | 20 | 19 | 18 | 17 |
| | | | | | | | | | | | | | | | | | 16 | - | 14 | 13 | 12 | 11 | 10 | 9 | 8 | - | - | - | - | - | 2 | 1 |
| MX123 CONN ASSY 73 CKT BLK OPTO KEY A/22 | 345661673 | C-HSG-A0 | G-CAP-0-P | TPA-A0 | RS | LS | MAL | CPA | MSEAL | RSEAL | - | - | - | - | - | - | - | - | - | - | - | 61 | - | - | 58 | 57 | 56 | - | - | - | | |
| | | | | | | | | | | | - | 51 | 50 | - | - | 47 | 46 | - | - | - | - | - | - | - | - | 38 | 37 | 36 | - | - | - | |
| | | | | | | | | | | | | | | | | | - | 31 | 30 | - | 28 | - | 26 | - | - | - | 22 | 21 | 20 | - | - | - |
| | | | | | | | | | | | | | | | | | - | 15 | 14 | - | - | - | 10 | - | - | - | - | - | - | - | - | - |
| MX123 CONN ASSY 73 CKT GRY OPTO KEY B/39 | 345661683 | C-HSG-B0 | G-CAP-0-P | TPA-B0 | RS | LS | MAL | CPA | MSEAL | RSEAL | 72 | 71 | 70 | 69 | 68 | - | - | 65 | 64 | - | 62 | 61 | 60 | - | - | - | - | - | 54 | - | | |
| | | | | | | | | | | | 52 | 51 | - | - | - | 47 | 46 | 45 | 44 | - | 42 | 41 | 40 | - | - | - | - | - | - | 34 | - | |
| | | | | | | | | | | | | | | | | | 32 | 31 | 30 | - | 28 | - | 26 | 25 | 24 | - | - | - | 20 | 19 | 18 | 17 |
| | | | | | | | | | | | | | | | | | - | - | - | - | 12 | 11 | 10 | 9 | - | - | - | - | - | - | 2 | 1 |
| MX123 CONN ASSY 73 CKT GRY OPTO KEY B/53 | 345661693 | C-HSG-B0 | G-CAP-0-P | TPA-B0 | RS | LS | MAL | CPA | MSEAL | RSEAL | 72 | 71 | 70 | 69 | 68 | 67 | - | 65 | - | 63 | 62 | 61 | 60 | - | 58 | - | 56 | - | 54 | - | | |
| | | | | | | | | | | | 52 | 51 | 50 | - | - | 47 | - | 45 | 44 | 43 | 42 | 41 | 40 | - | 38 | - | 36 | - | 34 | - | | |
| | | | | | | | | | | | | | | | | | - | 31 | 30 | - | 28 | 27 | 26 | 25 | 24 | - | 22 | - | 20 | 19 | 18 | - |
| | | | | | | | | | | | | | | | | | 16 | 15 | 14 | 13 | - | 11 | 10 | 9 | 8 | - | 6 | 5 | 4 | 3 | 2 | 1 |
| MX123 CONN ASSY 73 CKT GRY OPTO KEY B/21 | 345661713 | C-HSG-B0 | G-CAP-0-P | TPA-B0 | RS | LS | MAL | CPA | MSEAL | RSEAL | 72 | - | - | 69 | - | 67 | - | - | - | - | 62 | 61 | - | - | - | - | - | - | - | - | | |
| | | | | | | | | | | | 52 | - | - | - | - | 47 | - | - | 44 | - | 42 | - | - | - | - | - | - | - | 34 | - | | |
| | | | | | | | | | | | | | | | | | - | - | - | 29 | 28 | 27 | 26 | 25 | - | - | - | 21 | - | - | 18 | 17 |
| | | | | | | | | | | | | | | | | | - | - | 14 | - | - | - | - | - | - | - | - | - | - | - | 1 | |
| MX123 CONN ASSY 73 CKT GRY OPTO KEY B/28 | 345661723 | C-HSG-B0 | G-CAP-0-P | TPA-B0 | RS | LS | MAL | CPA | MSEAL | RSEAL | 72 | - | - | 69 | - | 67 | - | - | 64 | 63 | 62 | 61 | - | - | - | - | 56 | 55 | - | - | | |
| | | | | | | | | | | | 52 | - | - | - | - | 47 | - | - | 44 | - | 42 | - | - | - | - | - | - | - | 34 | - | | |
| | | | | | | | | | | | | | | | | | - | - | - | 29 | 28 | 27 | 26 | 25 | - | - | - | 21 | - | 19 | 18 | 17 |
| | | | | | | | | | | | | | | | | | - | - | 14 | - | - | - | - | - | - | - | - | - | 3 | 2 | 1 | |
| MX123 CONN ASSY 73 CKT BLK OPTO KEY A/35 | 345661733 | C-HSG-A0 | G-CAP-0-P | TPA-A0 | RS | LS | MAL | CPA | MSEAL | RSEAL | 72 | 71 | - | 69 | - | - | - | - | 64 | 63 | 62 | 61 | 60 | 59 | - | - | 56 | - | 54 | 53 | | |
| | | | | | | | | | | | 52 | 51 | 50 | - | 48 | - | 46 | 45 | - | - | - | - | 40 | - | 38 | - | 36 | - | 34 | 33 | | |
| | | | | | | | | | | | | | | | | | - | 31 | - | 29 | 28 | - | 26 | - | - | 23 | 22 | - | - | - | - | |
| | | | | | | | | | | | | | | | | | - | - | 14 | - | 12 | 11 | - | - | - | 7 | - | - | 4 | - | - | |
| MX123 CONN ASSY 73 CKT BLK OPTO KEY A/36 | 345661743 | C-HSG-A0 | G-CAP-0-P | TPA-A0 | RS | LS | MAL | CPA | MSEAL | RSEAL | 72 | 71 | - | 69 | 68 | - | - | - | 64 | 63 | 62 | 61 | 60 | 59 | - | - | 56 | - | 54 | 53 | | |
| | | | | | | | | | | | 52 | 51 | 50 | - | 48 | - | 46 | 45 | - | - | - | - | 40 | - | 38 | - | 36 | - | 34 | 33 | | |
| | | | | | | | | | | | | | | | | | - | 31 | - | 29 | 28 | - | 26 | - | - | 23 | 22 | - | - | - | - | |
| | | | | | | | | | | | | | | | | | - | - | 14 | - | 12 | 11 | - | - | - | 7 | - | - | 4 | - | - | |
| MX123 CONN ASSY 73 CKT BLK OPTO KEY A/40 | 345661753 | C-HSG-A0 | G-CAP-0-P | TPA-A0 | RS | LS | MAL | CPA | MSEAL | RSEAL | 72 | 71 | - | 69 | 68 | - | - | - | 64 | 63 | 62 | 61 | 60 | 59 | - | - | 56 | - | 54 | 53 | | |
| | | | | | | | | | | | 52 | 51 | 50 | - | 48 | - | 46 | 45 | - | - | - | - | 40 | - | 38 | - | 36 | - | 34 | 33 | | |
| | | | | | | | | | | | | | | | | | - | 31 | 30 | 29 | 28 | - | 26 | - | - | 23 | 22 | - | - | - | - | |
| | | | | | | | | | | | | | | | | | 16 | - | 14 | - | 12 | 11 | 10 | - | - | 7 | - | - | 4 | - | 2 | - |

| ASSEMBLY DESCRIPTION | ASSEMBLY PART NUMBER | CONNECTOR HOUSING | GROMMET CAP | TPA | RIGHT SLIDE | LEFT SLIDE | MATE ASSIST LEVER | CPA | MAT SEAL | RING SEAL | BLOCKED TERMINALS | | | | | | | | | | | | | | | | | | STATUS | COMMENTS | INTEGRAL COMPONENTS SOLD SEPARATELY | | | | | | |
|--|----------------------|-------------------|-------------|--------|-------------|------------|-------------------|-----|----------|-----------|--|----|----|----|----|----|----|----|----|----|----|----|----|----|----|----|----|----|--------|----------|-------------------------------------|----|----|----|----|----|----|
| | | | | | | | | | | | CAVITY WITH A NUMBER INDICATES BLOCKED TERMINAL POSITION | | | | | | | | | | | | | | | | | | | | DRESS COVER | | | | | | |
| | | | | | | | | | | | CAVITY WITHOUT A NUMBER INDICATES OPEN TERMINAL POSITION | | | | | | | | | | | | | | | | | | | | | | | | | | |
| MX123 CONN ASSY 73 CKT GRY OPT0 KEY B/31 | 345661763 | C-HSG-B0 | G-CAP-0-P | TPA-B0 | RS | LS | MAL | CPA | MSEAL | RSEAL | 72 | 71 | 70 | 69 | 68 | - | 66 | - | 64 | 63 | 62 | - | - | - | - | 56 | 55 | - | - | | | | | | | | |
| | | | | | | | | | | | 52 | - | - | - | - | - | - | - | 44 | - | 42 | 41 | - | - | 38 | - | 36 | 35 | - | - | | | | | | | |
| | | | | | | | | | | | | | | | | | | | | | | - | - | - | 29 | 28 | 27 | - | 25 | - | - | - | - | 19 | 18 | 17 | |
| | | | | | | | | | | | | | | | | | | | | | | - | - | - | - | 12 | 11 | - | - | - | - | - | - | - | 3 | 2 | 1 |
| MX123 CONN ASSY 73 CKT BLU OPT0 KEY C/41 | 345661773 | C-HSG-C0 | G-CAP-0-P | TPA-C0 | RS | LS | MAL | CPA | MSEAL | RSEAL | - | 71 | - | 69 | 68 | - | - | 65 | 64 | - | - | 61 | 60 | - | 58 | - | 56 | 55 | 54 | - | | | | | | | |
| | | | | | | | | | | | - | - | 50 | 49 | 48 | 47 | - | 45 | - | 43 | - | 41 | - | - | 38 | 37 | 36 | 35 | - | - | | | | | | | |
| | | | | | | | | | | | | | | | | | | | | | | 32 | 31 | - | 29 | 28 | - | - | - | 24 | 23 | - | - | - | 19 | 18 | 17 |
| | | | | | | | | | | | | | | | | | | | | | | 16 | - | - | 13 | 12 | 11 | - | - | 8 | 7 | - | - | - | 3 | 2 | 1 |
| MX123 CONN ASSY 73 CKT BLU OPT0 KEY C/42 | 345661783 | C-HSG-C0 | G-CAP-0-P | TPA-C0 | RS | LS | MAL | CPA | MSEAL | RSEAL | - | 71 | - | 69 | 68 | - | - | 65 | 64 | - | - | 61 | 60 | - | 58 | - | 56 | 55 | 54 | - | | | | | | | |
| | | | | | | | | | | | - | - | 50 | 49 | 48 | 47 | - | 45 | - | 43 | - | 41 | - | - | 38 | 37 | 36 | 35 | - | - | | | | | | | |
| | | | | | | | | | | | | | | | | | | | | | | 32 | 31 | - | 29 | 28 | 27 | - | - | 24 | 23 | - | - | - | 19 | 18 | 17 |
| | | | | | | | | | | | | | | | | | | | | | | 16 | - | - | 13 | 12 | 11 | - | - | 8 | 7 | - | - | - | 3 | 2 | 1 |
| MX123 CONN ASSY 73 CKT BLK OPT0 KEY A/38 | 345661793 | C-HSG-A0 | G-CAP-0-P | TPA-A0 | RS | LS | MAL | CPA | MSEAL | RSEAL | 72 | 71 | 70 | - | 68 | 67 | 66 | 65 | 64 | - | - | - | 60 | 59 | - | - | - | - | - | - | | | | | | | |
| | | | | | | | | | | | - | - | 50 | - | 48 | 47 | 46 | 45 | - | - | - | - | 40 | 39 | 38 | - | - | - | - | - | - | | | | | | |
| | | | | | | | | | | | | | | | | | | | | | | - | 31 | 30 | - | - | - | - | 25 | 24 | 23 | 22 | 21 | 20 | - | - | 17 |
| | | | | | | | | | | | | | | | | | | | | | | - | 15 | 14 | - | - | - | - | 9 | 8 | 7 | 6 | 5 | 4 | - | 2 | 1 |
| MX123 CONN ASSY 73 CKT NAT OPT9 KEY F/73 | 345661803 | C-HSG-F9 | G-CAP-9-P | TPA-F9 | RS | LS | MAL | CPA | MSEAL | RSEAL | - | - | - | - | - | - | - | - | - | - | - | - | - | - | - | - | - | - | - | | | | | | | | |
| | | | | | | | | | | | - | - | - | - | - | - | - | - | - | - | - | - | - | - | - | - | - | - | - | - | - | | | | | | |
| | | | | | | | | | | | | | | | | | | | | | | - | - | - | - | - | - | - | - | - | - | - | - | - | - | - | - |
| | | | | | | | | | | | | | | | | | | | | | | - | - | - | - | - | - | - | - | - | - | - | - | - | - | - | - |
| MX123 CONN ASSY 73 CKT GRY OPT0 KEY B/24 | 345661813 | C-HSG-B0 | G-CAP-0-P | TPA-B0 | RS | LS | MAL | CPA | MSEAL | RSEAL | - | - | - | 69 | - | - | - | 65 | 64 | 63 | - | - | - | - | - | - | - | - | - | | | | | | | | |
| | | | | | | | | | | | - | - | - | 49 | - | - | - | 45 | 44 | 43 | - | - | - | - | - | - | - | - | - | - | | | | | | | |
| | | | | | | | | | | | | | | | | | | | | | | - | - | - | - | - | - | - | - | - | 22 | 21 | 20 | 19 | 18 | 17 | |
| | | | | | | | | | | | | | | | | | | | | | | - | - | - | - | 12 | 11 | - | - | - | 7 | 6 | 5 | 4 | 3 | 2 | 1 |
| MX123 CONN ASSY 73 CKT BLK OPT0 KEY A/25 | 345661823 | C-HSG-A0 | G-CAP-0-P | TPA-A0 | RS | LS | MAL | CPA | MSEAL | RSEAL | - | - | - | - | - | 67 | - | - | - | 63 | 62 | - | 60 | - | - | 57 | - | 55 | - | - | | | | | | | |
| | | | | | | | | | | | - | 51 | - | - | 48 | - | 46 | 45 | 44 | 43 | - | - | 40 | 39 | - | - | - | 35 | - | - | | | | | | | |
| | | | | | | | | | | | | | | | | | | | | | | - | - | - | - | - | - | - | 25 | - | - | - | - | - | - | - | - |
| | | | | | | | | | | | | | | | | | | | | | | - | 15 | 14 | - | - | - | - | - | - | 7 | 6 | 5 | 4 | 3 | 2 | - |
| MX123 CONN ASSY 73 CKT BLK OPT0 KEY A/38 | 345661833 | C-HSG-A0 | G-CAP-0-P | TPA-A0 | RS | LS | MAL | CPA | MSEAL | RSEAL | 72 | 71 | 70 | 69 | - | 67 | 66 | - | 64 | - | 62 | - | 60 | - | - | 57 | - | 55 | 54 | 53 | | | | | | | |
| | | | | | | | | | | | - | 51 | - | 49 | 48 | - | 46 | 45 | 44 | 43 | 42 | - | 40 | 39 | - | - | - | 35 | - | - | | | | | | | |
| | | | | | | | | | | | | | | | | | | | | | | - | - | - | - | - | - | 26 | - | - | - | 22 | 21 | - | - | - | |
| | | | | | | | | | | | | | | | | | | | | | | - | 15 | 14 | - | - | - | - | 9 | 8 | 7 | 6 | 5 | 4 | 3 | 2 | - |
| MX123 CONN ASSY 73 CKT BLK OPT0 KEY A/33 | 345661843 | C-HSG-A0 | G-CAP-0-P | TPA-A0 | RS | LS | MAL | CPA | MSEAL | RSEAL | 72 | 71 | 70 | 69 | - | 67 | 66 | - | 64 | - | 62 | - | 60 | - | - | 57 | - | 55 | 54 | - | | | | | | | |
| | | | | | | | | | | | - | 51 | - | 49 | 48 | - | 46 | 45 | 44 | 43 | 42 | - | 40 | 39 | - | - | - | - | - | - | | | | | | | |
| | | | | | | | | | | | | | | | | | | | | | | - | - | - | - | - | - | 26 | 25 | - | - | - | - | - | - | - | |
| | | | | | | | | | | | | | | | | | | | | | | - | - | - | - | - | - | - | 9 | 8 | 7 | 6 | 5 | 4 | 3 | 2 | - |
| MX123 CONN ASSY 73 CKT BLK OPT0 KEY A/22 | 345661853 | C-HSG-A0 | G-CAP-0-P | TPA-A0 | RS | LS | MAL | CPA | MSEAL | RSEAL | - | 71 | - | - | - | - | 66 | - | 64 | - | 62 | - | - | 59 | 58 | - | - | - | - | | | | | | | | |
| | | | | | | | | | | | - | 51 | - | - | - | - | 46 | 45 | - | - | 42 | - | - | 39 | 38 | - | - | - | - | - | | | | | | | |
| | | | | | | | | | | | | | | | | | | | | | | 32 | 31 | - | - | - | 27 | 26 | - | - | 23 | 22 | - | - | - | - | - |
| | | | | | | | | | | | | | | | | | | | | | | - | - | 14 | 13 | 12 | - | - | - | - | - | - | - | - | - | - | - |
| MX123 CONN ASSY 73 CKT GRY OPT0 KEY B/56 | 345661863 | C-HSG-B0 | G-CAP-0-P | TPA-B0 | RS | LS | MAL | CPA | MSEAL | RSEAL | 72 | 71 | 70 | 69 | - | - | - | - | - | - | 62 | 61 | 60 | 59 | 58 | 57 | 56 | 55 | 54 | 53 | | | | | | | |
| | | | | | | | | | | | 52 | 51 | 50 | 49 | 48 | 47 | - | - | 44 | - | 42 | 41 | 40 | 39 | 38 | 37 | 36 | 35 | 34 | 33 | | | | | | | |
| | | | | | | | | | | | | | | | | | | | | | | - | 31 | - | - | - | - | 26 | 25 | 24 | 23 | 22 | 21 | 20 | 19 | 18 | - |
| | | | | | | | | | | | | | | | | | | | | | | - | 15 | 14 | 13 | 12 | 11 | - | 9 | 8 | 7 | 6 | 5 | 4 | 3 | 2 | 1 |
| MX123 CONN ASSY 73 CKT BLU OPT0 KEY C/40 | 345661873 | C-HSG-C0 | G-CAP-0-P | TPA-C0 | RS | LS | MAL | CPA | MSEAL | RSEAL | - | 71 | - | 69 | 68 | - | - | 65 | 64 | - | - | 61 | 60 | - | 58 | - | 56 | 55 | 54 | - | | | | | | | |
| | | | | | | | | | | | - | - | 50 | 49 | 48 | 47 | - | 45 | - | 43 | - | 41 | - | - | 38 | 37 | 36 | 35 | - | - | | | | | | | |
| | | | | | | | | | | | | | | | | | | | | | | - | 31 | - | 29 | 28 | - | - | - | 24 | 23 | - | - | - | 19 | 18 | 17 |
| | | | | | | | | | | | | | | | | | | | | | | 16 | - | - | 13 | 12 | 11 | - | - | 8 | 7 | - | - | - | 3 | 2 | 1 |

| ASSEMBLY DESCRIPTION | ASSEMBLY PART NUMBER | CONNECTOR HOUSING | GROMMET CAP | TPA | RIGHT SLIDE | LEFT SLIDE | MATE ASSIST LEVER | CPA | MAT SEAL | RING SEAL | BLOCKED TERMINALS | | | | | | | | | | | | | | | | | | | | STATUS | COMMENTS | INTEGRAL COMPONENTS SOLD SEPARATELY |
|--|----------------------|-------------------|-------------|--------|-------------|------------|-------------------|-----|----------|-----------|--|----|----|----|----|----|----|----|----|----|----|----|----|----|----|----|----|----|----|----|----------|----------|-------------------------------------|
| | | | | | | | | | | | CAVITY WITH A NUMBER INDICATES BLOCKED TERMINAL POSITION | | | | | | | | | | | | | | | | | | | | | | DRESS COVER |
| | | | | | | | | | | | CAVITY WITHOUT A NUMBER INDICATES OPEN TERMINAL POSITION | | | | | | | | | | | | | | | | | | | | | | |
| MX123 CONN ASSY 73 CKT BLK OPTO KEY A/34 | 345661883 | C-HSG-A0 | G-CAP-0-P | TPA-A0 | RS | LS | MAL | CPA | MSEAL | RSEAL | 72 | 71 | - | 69 | - | - | - | - | 64 | 63 | 62 | 61 | 60 | 59 | - | - | 56 | - | 54 | 53 | SALEABLE | | 345650003 |
| | | | | | | | | | | | 52 | 51 | 50 | - | 48 | - | 46 | 45 | - | - | - | - | - | - | 38 | - | 36 | - | 34 | 33 | | | |
| | | | | | | | | | | | | | | | - | 31 | - | 29 | 28 | - | 26 | - | - | 23 | 22 | - | - | - | - | - | | | |
| MX123 CONN ASSY 73 CKT BLU OPTO KEY C/42 | 345661893 | C-HSG-C0 | G-CAP-0-P | TPA-C0 | RS | LS | MAL | CPA | MSEAL | RSEAL | - | 71 | - | 69 | 68 | 67 | - | 65 | 64 | - | 62 | 61 | 60 | - | 58 | - | 56 | 55 | 54 | - | SALEABLE | | 345650003 |
| | | | | | | | | | | | - | - | 50 | 49 | 48 | 47 | - | 45 | - | 43 | - | 41 | - | - | 38 | 37 | 36 | 35 | - | - | | | |
| | | | | | | | | | | | | | | | - | 31 | - | 29 | 28 | - | - | - | 24 | 23 | - | - | - | 19 | 18 | 17 | | | |
| MX123 CONN ASSY 73 CKT GRY OPTO KEY B/42 | 345661913 | C-HSG-B0 | G-CAP-0-P | TPA-B0 | RS | LS | MAL | CPA | MSEAL | RSEAL | - | 71 | - | 69 | - | 67 | - | 65 | 64 | 63 | 62 | 61 | - | - | 58 | 57 | 56 | - | - | - | SALEABLE | | 345650003 |
| | | | | | | | | | | | - | 51 | - | 49 | - | 47 | - | 45 | 44 | 43 | 42 | 41 | - | - | 38 | 37 | 36 | - | - | - | | | |
| | | | | | | | | | | | | | | | - | - | - | - | - | - | - | - | - | 23 | 22 | 21 | 20 | 19 | 18 | 17 | | | |
| MX123 CONN ASSY 73 CKT BLK OPTO KEY A/46 | 345661923 | C-HSG-A0 | G-CAP-0-P | TPA-A0 | RS | LS | MAL | CPA | MSEAL | RSEAL | 72 | 71 | 70 | - | 68 | 67 | 66 | 65 | 64 | - | 62 | 61 | 60 | 59 | - | 57 | - | - | - | - | SALEABLE | | 345650003 |
| | | | | | | | | | | | - | - | 50 | - | 48 | 47 | 46 | 45 | - | - | - | - | 40 | 39 | 38 | 37 | - | - | - | - | | | |
| | | | | | | | | | | | | | | | - | 31 | 30 | 29 | - | 27 | - | 25 | 24 | 23 | 22 | 21 | 20 | - | - | 17 | | | |
| MX123 CONN ASSY 73 CKT BLK OPTO KEY A/35 | 345661933 | C-HSG-A0 | G-CAP-0-P | TPA-A0 | RS | LS | MAL | CPA | MSEAL | RSEAL | 72 | 71 | - | 69 | 68 | - | - | - | 64 | 63 | 62 | 61 | 60 | 59 | - | - | 56 | - | 54 | 53 | SALEABLE | | 345650003 |
| | | | | | | | | | | | 52 | 51 | 50 | - | 48 | - | 46 | 45 | - | - | - | - | - | - | 38 | - | 36 | - | 34 | 33 | | | |
| | | | | | | | | | | | | | | | - | 31 | - | 29 | 28 | - | 26 | - | - | 23 | 22 | - | - | - | - | - | | | |
| MX123 CONN ASSY 73 CKT BLK OPTO KEY A/34 | 345661943 | C-HSG-A0 | G-CAP-0-P | TPA-A0 | RS | LS | MAL | CPA | MSEAL | RSEAL | 72 | 71 | - | 69 | 68 | - | - | - | 64 | 63 | 62 | 61 | 60 | 59 | - | - | 56 | - | 54 | 53 | SALEABLE | | 345650003 |
| | | | | | | | | | | | 52 | - | 50 | - | 48 | - | 46 | 45 | - | - | - | - | - | - | 38 | - | 36 | - | 34 | 33 | | | |
| | | | | | | | | | | | | | | | - | 31 | - | 29 | 28 | - | 26 | - | - | 23 | 22 | - | - | - | - | - | | | |
| MX123 CONN ASSY 73 CKT BLU OPTO KEY C/42 | 345661953 | C-HSG-C0 | G-CAP-0-P | TPA-C0 | RS | LS | MAL | CPA | MSEAL | RSEAL | - | 71 | - | 69 | 68 | 67 | - | 65 | 64 | - | 62 | 61 | 60 | - | 58 | - | 56 | 55 | 54 | - | SALEABLE | | 345650003 |
| | | | | | | | | | | | - | - | 50 | 49 | - | - | - | 45 | - | 43 | - | 41 | - | - | 38 | 37 | 36 | 35 | - | - | | | |
| | | | | | | | | | | | | | | | 32 | 31 | - | 29 | 28 | 27 | - | - | 24 | 23 | - | - | - | 19 | 18 | 17 | | | |
| MX123 CONN ASSY 73 CKT BLU OPTO KEY C/44 | 345661963 | C-HSG-C0 | G-CAP-0-P | TPA-C0 | RS | LS | MAL | CPA | MSEAL | RSEAL | - | 71 | - | 69 | 68 | 67 | - | 65 | 64 | - | 62 | 61 | 60 | - | 58 | - | 56 | 55 | 54 | - | SALEABLE | | 345650003 |
| | | | | | | | | | | | - | - | 50 | 49 | 48 | 47 | - | 45 | - | 43 | - | 41 | - | - | 38 | 37 | 36 | 35 | - | - | | | |
| | | | | | | | | | | | | | | | 32 | 31 | - | 29 | 28 | 27 | - | - | 24 | 23 | - | - | - | 19 | 18 | 17 | | | |
| MX123 CONN ASSY 73 CKT BLK OPTO KEY A/43 | 345661973 | C-HSG-A0 | G-CAP-0-P | TPA-A0 | RS | LS | MAL | CPA | MSEAL | RSEAL | 72 | 71 | 70 | - | 68 | 67 | 66 | 65 | 64 | - | 62 | 61 | 60 | 59 | 58 | 57 | - | - | - | - | SALEABLE | | 345650003 |
| | | | | | | | | | | | - | - | 50 | - | 48 | 47 | 46 | 45 | - | - | - | - | 40 | 39 | 38 | 37 | - | - | - | - | | | |
| | | | | | | | | | | | | | | | - | 31 | 30 | 29 | - | 27 | - | 25 | 24 | - | 22 | - | 20 | - | - | 17 | | | |
| MX123 CONN ASSY 73 CKT GRY OPTO KEY B/73 | 345661983 | C-HSG-B0 | G-CAP-0-P | TPA-B0 | RS | LS | MAL | CPA | MSEAL | RSEAL | 72 | 71 | 70 | 69 | 68 | 67 | 66 | 65 | 64 | 63 | 62 | 61 | 60 | 59 | 58 | 57 | 56 | 55 | 54 | 53 | SALEABLE | | 345650003 |
| | | | | | | | | | | | 52 | 51 | 50 | 49 | 48 | 47 | 46 | 45 | 44 | 43 | 42 | 41 | 40 | 39 | 38 | 37 | 36 | 35 | 34 | 33 | | | |
| | | | | | | | | | | | | | | | 32 | 31 | 30 | 29 | 28 | 27 | 26 | 25 | 24 | 23 | 22 | 21 | 20 | 19 | 18 | 17 | | | |
| MX123 CONN ASSY 73 CKT BLU OPTO KEY C/73 | 345661993 | C-HSG-C0 | G-CAP-0-P | TPA-C0 | RS | LS | MAL | CPA | MSEAL | RSEAL | 72 | 71 | 70 | 69 | 68 | 67 | 66 | 65 | 64 | 63 | 62 | 61 | 60 | 59 | 58 | 57 | 56 | 55 | 54 | 53 | SALEABLE | | 345650003 |
| | | | | | | | | | | | 52 | 51 | 50 | 49 | 48 | 47 | 46 | 45 | 44 | 43 | 42 | 41 | 40 | 39 | 38 | 37 | 36 | 35 | 34 | 33 | | | |
| | | | | | | | | | | | | | | | 32 | 31 | 30 | 29 | 28 | 27 | 26 | 25 | 24 | 23 | 22 | 21 | 20 | 19 | 18 | 17 | | | |
| MX123 CONN ASSY 73 CKT BLK OPTO KEY A/31 | 345662013 | C-HSG-A0 | G-CAP-0-P | TPA-A0 | RS | LS | MAL | CPA | MSEAL | RSEAL | 72 | - | - | 69 | 68 | 67 | 66 | - | 64 | 63 | 62 | 61 | - | - | - | - | 56 | 55 | - | - | SALEABLE | | 345650003 |
| | | | | | | | | | | | 52 | - | - | - | - | 47 | - | - | 44 | - | 42 | - | - | - | 38 | - | - | - | 34 | - | | | |
| | | | | | | | | | | | | | | | - | - | - | 29 | 28 | 27 | 26 | 25 | - | - | - | 21 | - | 19 | 18 | 17 | | | |

| ASSEMBLY DESCRIPTION | ASSEMBLY PART NUMBER | CONNECTOR HOUSING | GROMMET CAP | TPA | RIGHT SLIDE | LEFT SLIDE | MATE ASSIST LEVER | CPA | MAT SEAL | RING SEAL | BLOCKED TERMINALS | | | | | | | | | | | | | | | | | | | | STATUS | COMMENTS | INTEGRAL COMPONENTS SOLD SEPARATELY | | | | | | |
|--|----------------------|-------------------|-------------|--------|-------------|------------|-------------------|-----|----------|-----------|--|----|----|----|----|----|----|----|----|----|----|----|----|----|----|----|----|----|----|----|----------|----------|-------------------------------------|----|----|---|----|----|----|
| | | | | | | | | | | | CAVITY WITH A NUMBER INDICATES BLOCKED TERMINAL POSITION | | | | | | | | | | | | | | | | | | | | | | DRESS COVER | | | | | | |
| | | | | | | | | | | | CAVITY WITHOUT A NUMBER INDICATES OPEN TERMINAL POSITION | | | | | | | | | | | | | | | | | | | | | | | | | | | | |
| MX123 CONN ASSY 73 CKT BLK OPTO KEY A/38 | 345662023 | C-HSG-A0 | G-CAP-0-P | TPA-A0 | RS | LS | MAL | CPA | MSEAL | RSEAL | 72 | 71 | - | 69 | - | - | - | - | 64 | 63 | 62 | 61 | 60 | 59 | - | - | 56 | - | 54 | 53 | SALEABLE | | 345650003 | | | | | | |
| | | | | | | | | | | | 52 | 51 | 50 | - | 48 | - | 46 | 45 | - | - | - | - | 40 | - | 38 | - | 36 | - | 34 | 33 | | | | | | | | | |
| | | | | | | | | | | | | | | | | | | | | | - | 31 | - | 29 | 28 | - | 26 | - | - | 23 | | | | 22 | - | - | - | - | |
| | | | | | | | | | | | | | | | | | | | | | 16 | - | 14 | - | 12 | 11 | 10 | - | - | 7 | | | | - | - | 4 | - | 2 | - |
| MX123 CONN ASSY 73 CKT BLK OPTO KEY A/27 | 345662033 | C-HSG-A0 | G-CAP-0-P | TPA-A0 | RS | LS | MAL | CPA | MSEAL | RSEAL | 72 | - | - | 69 | 68 | 67 | 66 | - | - | 63 | 62 | 61 | - | - | - | - | 56 | - | - | - | SALEABLE | | 345650003 | | | | | | |
| | | | | | | | | | | | 52 | - | - | - | - | 47 | - | - | 44 | - | 42 | - | - | - | 38 | - | - | - | 34 | - | | | | | | | | | |
| | | | | | | | | | | | | | | | | | | | | | - | - | - | 29 | 28 | 27 | 26 | 25 | - | - | | | | - | 21 | - | 19 | 18 | 17 |
| | | | | | | | | | | | | | | | | | | | | | - | - | 14 | - | - | - | - | - | - | - | | | | - | - | - | - | - | - |
| MX123 CONN ASSY 73 CKT BLK OPTO KEY A/39 | 345662043 | C-HSG-A0 | G-CAP-0-P | TPA-A0 | RS | LS | MAL | CPA | MSEAL | RSEAL | 72 | 71 | - | 69 | 68 | - | - | - | 64 | 63 | 62 | 61 | 60 | 59 | - | - | 56 | - | 54 | 53 | SALEABLE | | 345650003 | | | | | | |
| | | | | | | | | | | | 52 | 51 | 50 | - | 48 | - | 46 | 45 | - | - | - | - | 40 | - | 38 | - | 36 | - | 34 | 33 | | | | | | | | | |
| | | | | | | | | | | | | | | | | | | | | | - | 31 | - | 29 | 28 | - | 26 | - | - | 23 | | | | 22 | - | - | - | - | |
| | | | | | | | | | | | | | | | | | | | | | 16 | - | 14 | - | 12 | 11 | 10 | - | - | 7 | | | | - | - | 4 | - | 2 | - |
| MX123 CONN ASSY 73 CKT GRY OPTO KEY B/41 | 345662053 | C-HSG-B0 | G-CAP-0-P | TPA-B0 | RS | LS | MAL | CPA | MSEAL | RSEAL | 72 | 71 | - | 69 | - | - | - | - | 64 | 63 | 62 | 61 | 60 | 59 | - | - | 56 | - | 54 | 53 | SALEABLE | | 345650003 | | | | | | |
| | | | | | | | | | | | 52 | 51 | 50 | - | 48 | - | 46 | 45 | - | - | - | - | 40 | - | 38 | - | 36 | 35 | 34 | 33 | | | | | | | | | |
| | | | | | | | | | | | | | | | | | | | | | - | 31 | - | 29 | 28 | - | 26 | - | - | - | | | | 22 | - | - | - | - | 17 |
| | | | | | | | | | | | | | | | | | | | | | 16 | 15 | 14 | - | 12 | 11 | 10 | 9 | - | 7 | | | | - | - | 4 | - | 2 | - |
| MX123 CONN ASSY 73 CKT BLK OPTO KEY A/37 | 345662093 | C-HSG-A0 | G-CAP-0-P | TPA-A0 | RS | LS | MAL | CPA | MSEAL | RSEAL | 72 | 71 | 70 | 69 | - | 67 | 66 | - | 64 | - | 62 | - | 60 | - | - | 57 | - | 55 | 54 | 53 | SALEABLE | | 345650003 | | | | | | |
| | | | | | | | | | | | - | 51 | - | 49 | 48 | - | 46 | 45 | 44 | 43 | 42 | - | 40 | 39 | - | - | - | 35 | - | - | | | | | | | | | |
| | | | | | | | | | | | | | | | | | | | | | - | - | - | - | - | - | 26 | - | - | - | | | | 22 | 21 | - | - | - | - |
| | | | | | | | | | | | | | | | | | | | | | - | 15 | 14 | - | - | - | - | - | 8 | 7 | | | | 6 | 5 | 4 | 3 | 2 | - |
| MX123 CONN ASSY 73 CKT GRY OPTO KEY B/27 | 345662133 | C-HSG-B0 | G-CAP-0-P | TPA-B0 | RS | LS | MAL | CPA | MSEAL | RSEAL | 72 | - | - | 69 | 68 | 67 | 66 | - | - | 63 | 62 | 61 | - | - | - | - | 56 | - | - | - | SALEABLE | | 345650003 | | | | | | |
| | | | | | | | | | | | 52 | - | - | - | - | 47 | - | - | 44 | - | 42 | - | - | - | 38 | - | - | - | 34 | - | | | | | | | | | |
| | | | | | | | | | | | | | | | | | | | | | - | - | - | 29 | 28 | 27 | 26 | 25 | - | - | | | | - | 21 | - | 19 | 18 | 17 |
| | | | | | | | | | | | | | | | | | | | | | - | - | 14 | - | - | - | - | - | - | - | | | | - | - | - | - | - | 1 |
| MX123 CONN ASSY 73 CKT GRY OPTO KEY B/31 | 345662143 | C-HSG-B0 | G-CAP-0-P | TPA-B0 | RS | LS | MAL | CPA | MSEAL | RSEAL | 72 | - | - | 69 | 68 | 67 | 66 | - | 64 | 63 | 62 | 61 | - | - | - | - | 56 | 55 | - | - | SALEABLE | | 345650003 | | | | | | |
| | | | | | | | | | | | 52 | - | - | - | - | 47 | - | - | 44 | - | 42 | - | - | - | 38 | - | - | - | 34 | - | | | | | | | | | |
| | | | | | | | | | | | | | | | | | | | | | - | - | - | 29 | 28 | 27 | 26 | 25 | - | - | | | | - | 21 | - | 19 | 18 | 17 |
| | | | | | | | | | | | | | | | | | | | | | - | - | 14 | - | - | - | - | - | - | - | | | | - | - | - | 3 | 2 | 1 |
| MX123 CONN ASSY 73 CKT BLK OPTO KEY A/41 | 345662153 | C-HSG-A0 | G-CAP-0-P | TPA-A0 | RS | LS | MAL | CPA | MSEAL | RSEAL | 72 | 71 | - | 69 | - | - | - | - | 64 | 63 | 62 | 61 | 60 | 59 | - | - | 56 | - | 54 | 53 | SALEABLE | | 345650003 | | | | | | |
| | | | | | | | | | | | 52 | 51 | 50 | - | 48 | - | 46 | 45 | - | - | - | - | 40 | - | 38 | - | 36 | 35 | 34 | 33 | | | | | | | | | |
| | | | | | | | | | | | | | | | | | | | | | - | 31 | - | 29 | 28 | - | 26 | - | - | - | | | | 22 | - | - | - | - | 17 |
| | | | | | | | | | | | | | | | | | | | | | 16 | 15 | 14 | - | 12 | 11 | 10 | 9 | - | 7 | | | | - | - | 4 | - | 2 | - |
| MX123 CONN ASSY 73 CKT BLK OPTO KEY A/40 | 345662163 | C-HSG-A0 | G-CAP-0-P | TPA-A0 | RS | LS | MAL | CPA | MSEAL | RSEAL | 72 | 71 | - | 69 | 68 | - | - | 65 | 64 | 63 | 62 | - | 60 | 59 | - | 57 | 56 | - | - | 53 | SALEABLE | | 345650003 | | | | | | |
| | | | | | | | | | | | 52 | 51 | 50 | - | 48 | - | 46 | - | - | - | - | 40 | - | 38 | - | 36 | 35 | - | 33 | - | | | | | | | | | |
| | | | | | | | | | | | | | | | | | | | | | - | 31 | 30 | 29 | 28 | - | 26 | 25 | - | 23 | | | | 22 | - | - | - | - | - |
| | | | | | | | | | | | | | | | | | | | | | 16 | - | 14 | - | 12 | - | 10 | - | 8 | 7 | | | | - | - | 4 | - | 2 | - |
| MX123 CONN ASSY 73 CKT BLK OPTO KEY A/36 | 345662173 | C-HSG-A0 | G-CAP-0-P | TPA-A0 | RS | LS | MAL | CPA | MSEAL | RSEAL | 72 | 71 | - | 69 | 68 | - | - | - | 64 | 63 | 62 | - | 60 | 59 | - | 57 | 56 | - | - | 53 | SALEABLE | | 345650003 | | | | | | |
| | | | | | | | | | | | 52 | 51 | 50 | - | 48 | - | 46 | - | - | - | - | 40 | - | 38 | - | 36 | 35 | - | 33 | - | | | | | | | | | |
| | | | | | | | | | | | | | | | | | | | | | - | 31 | - | 29 | 28 | - | 26 | - | - | 23 | | | | 22 | - | - | - | - | - |
| | | | | | | | | | | | | | | | | | | | | | 16 | - | 14 | - | 12 | - | 10 | - | - | 7 | | | | - | - | 4 | - | 2 | - |
| MX123 CONN ASSY 73 CKT BLK OPTO KEY A/44 | 345662183 | C-HSG-A0 | G-CAP-0-P | TPA-A0 | RS | LS | MAL | CPA | MSEAL | RSEAL | 72 | 71 | - | 69 | 68 | - | - | 65 | 64 | 63 | 62 | 61 | 60 | 59 | - | - | 56 | - | 54 | 53 | SALEABLE | | 345650003 | | | | | | |
| | | | | | | | | | | | 52 | 51 | 50 | - | 48 | - | 46 | 45 | - | - | - | 40 | - | 38 | - | 36 | 35 | 34 | 33 | - | | | | | | | | | |
| | | | | | | | | | | | | | | | | | | | | | - | 31 | 30 | 29 | 28 | - | 26 | 25 | - | 23 | | | | 22 | - | - | - | - | - |
| | | | | | | | | | | | | | | | | | | | | | 16 | - | 14 | - | 12 | 11 | 10 | - | 8 | 7 | | | | - | - | 4 | - | 2 | - |
| MX123 CONN ASSY 73 CKT BLK OPTO KEY A/40 | 345662193 | C-HSG-A0 | G-CAP-0-P | TPA-A0 | RS | LS | MAL | CPA | MSEAL | RSEAL | 72 | 71 | - | 69 | 68 | - | - | - | 64 | 63 | 62 | 61 | 60 | 59 | - | - | 56 | - | 54 | 53 | SALEABLE | | 345650003 | | | | | | |
| | | | | | | | | | | | 52 | 51 | 50 | - | 48 | - | 46 | 45 | - | - | - | 40 | - | 38 | - | 36 | 35 | 34 | 33 | - | | | | | | | | | |
| | | | | | | | | | | | | | | | | | | | | | - | 31 | - | 29 | 28 | - | 26 | - | - | 23 | | | | 22 | - | - | - | - | - |
| | | | | | | | | | | | | | | | | | | | | | 16 | - | 14 | - | 12 | 11 | 10 | - | - | 7 | | | | - | - | 4 | - | 2 | - |

| ASSEMBLY DESCRIPTION | ASSEMBLY PART NUMBER | CONNECTOR HOUSING | GROMMET CAP | TPA | RIGHT SLIDE | LEFT SLIDE | MATE ASSIST LEVER | CPA | MAT SEAL | RING SEAL | BLOCKED TERMINALS | | | | | | | | | | | | | | | | | | STATUS | COMMENTS | INTEGRAL COMPONENTS SOLD SEPARATELY | | | |
|--|----------------------|-------------------|-------------|--------|-------------|------------|-------------------|-----|----------|-----------|--|----|----|----|----|----|----|----|----|----|----|----|----|----|----|----|----|----|--------|----------|-------------------------------------|-----------|-----------|-----------|
| | | | | | | | | | | | CAVITY WITH A NUMBER INDICATES BLOCKED TERMINAL POSITION | | | | | | | | | | | | | | | | | | | | DRESS COVER | | | |
| | | | | | | | | | | | CAVITY WITHOUT A NUMBER INDICATES OPEN TERMINAL POSITION | | | | | | | | | | | | | | | | | | | | | | | |
| MX123 CONN ASSY 73 CKT BLK OPTO KEY A/24 | 345662223 | C-HSG-A0 | G-CAP-0-P | TPA-A0 | RS | LS | MAL | CPA | MSEAL | RSEAL | - | - | - | - | - | - | - | - | 65 | - | - | - | 61 | - | - | 58 | 57 | 56 | - | - | - | SALEABLE | | 345650003 |
| | | | | | | | | | | | - | 51 | 50 | - | - | 47 | - | 45 | - | - | - | 41 | - | - | 38 | 37 | 36 | - | - | - | | | | |
| | | | | | | | | | | | | | | - | 31 | 30 | - | 28 | - | 26 | 25 | - | - | 22 | 21 | 20 | - | - | - | | | | | |
| MX123 CONN ASSY 73 CKT BLK OPTO KEY A/48 | 345662233 | C-HSG-A0 | G-CAP-0-P | TPA-A0 | RS | LS | MAL | CPA | MSEAL | RSEAL | 72 | 71 | 70 | - | 68 | 67 | 66 | 65 | 64 | - | 62 | 61 | 60 | 59 | - | 57 | - | 55 | - | 53 | SALEABLE | | 345650003 | |
| | | | | | | | | | | | - | - | 50 | - | 48 | 47 | 46 | 45 | - | - | - | - | 40 | 39 | 38 | 37 | - | - | - | | | | | |
| | | | | | | | | | | | | | | - | 31 | 30 | 29 | - | 27 | - | 25 | 24 | 23 | 22 | 21 | 20 | - | - | 17 | | | | | |
| MX123 CONN ASSY 73 CKT BLK OPTO KEY A/24 | 345662253 | C-HSG-A0 | G-CAP-0-P | TPA-A0 | RS | LS | MAL | CPA | MSEAL | RSEAL | - | - | - | - | - | 67 | - | - | - | - | 62 | - | 60 | - | - | 57 | - | 55 | - | - | SALEABLE | | 345650003 | |
| | | | | | | | | | | | - | 51 | - | - | 48 | - | 46 | 45 | 44 | 43 | - | - | 40 | 39 | - | - | - | 35 | - | - | | | | |
| | | | | | | | | | | | | | | - | - | - | - | - | - | - | 25 | - | - | - | - | - | - | - | | | | | | |
| MX123 CONN ASSY 73 CKT BLK OPTO KEY A/44 | 345662263 | C-HSG-A0 | G-CAP-0-P | TPA-A0 | RS | LS | MAL | CPA | MSEAL | RSEAL | 72 | 71 | 70 | - | 68 | 67 | 66 | 65 | 64 | - | 62 | 61 | 60 | 59 | - | 57 | - | - | - | - | SALEABLE | | 345650003 | |
| | | | | | | | | | | | - | - | - | - | 48 | 47 | 46 | 45 | - | - | - | - | 40 | 39 | 38 | 37 | - | - | - | | | | | |
| | | | | | | | | | | | | | | - | 31 | 30 | 29 | - | 27 | - | 25 | 24 | 23 | 22 | 21 | 20 | - | - | 17 | | | | | |
| MX123 CONN ASSY 73 CKT BLK OPTO KEY A/36 | 345662273 | C-HSG-A0 | G-CAP-0-P | TPA-A0 | RS | LS | MAL | CPA | MSEAL | RSEAL | 72 | 71 | 70 | - | 68 | 67 | 66 | 65 | 64 | - | - | - | 60 | 59 | - | - | - | - | - | SALEABLE | | 345650003 | | |
| | | | | | | | | | | | - | - | - | - | 48 | 47 | 46 | 45 | - | - | - | - | 40 | 39 | 38 | - | - | - | | | | | | |
| | | | | | | | | | | | | | | - | 31 | 30 | - | - | - | - | 25 | 24 | 23 | 22 | 21 | 20 | - | - | 17 | | | | | |
| MX123 CONN ASSY 73 CKT GRY OPTO KEY B/52 | 345662283 | C-HSG-B0 | G-CAP-0-P | TPA-B0 | RS | LS | MAL | CPA | MSEAL | RSEAL | 72 | 71 | 70 | 69 | - | - | - | - | - | - | 62 | 61 | 60 | 59 | 58 | 57 | 56 | - | 54 | 53 | SALEABLE | | 345650003 | |
| | | | | | | | | | | | 52 | 51 | 50 | - | - | 47 | - | - | - | - | 42 | 41 | 40 | 39 | 38 | 37 | 36 | 35 | 34 | 33 | | | | |
| | | | | | | | | | | | | | | - | 31 | - | - | - | - | 26 | 25 | 24 | 23 | 22 | 21 | 20 | 19 | 18 | - | | | | | |
| MX123 CONN ASSY 73 CKT BLU OPTO KEY C/44 | 345662293 | C-HSG-C0 | G-CAP-0-P | TPA-C0 | RS | LS | MAL | CPA | MSEAL | RSEAL | - | 71 | - | 69 | - | 67 | - | 65 | 64 | - | 62 | 61 | 60 | - | 58 | - | 56 | 55 | 54 | - | SALEABLE | | 345650003 | |
| | | | | | | | | | | | - | - | 50 | 49 | - | - | - | 45 | - | 43 | - | 41 | - | - | 38 | 37 | 36 | 35 | - | - | | | | |
| | | | | | | | | | | | | | | 32 | 31 | - | 29 | 28 | 27 | - | - | 24 | 23 | - | - | 20 | 19 | 18 | 17 | | | | | |
| MX123 CONN ASSY 73 CKT BLU OPTO KEY C/47 | 345662313 | C-HSG-C0 | G-CAP-0-P | TPA-C0 | RS | LS | MAL | CPA | MSEAL | RSEAL | - | 71 | - | 69 | 68 | 67 | - | 65 | 64 | - | 62 | 61 | 60 | - | 58 | - | 56 | 55 | 54 | - | SALEABLE | | 345650003 | |
| | | | | | | | | | | | - | - | 50 | 49 | 48 | 47 | - | 45 | - | 43 | - | 41 | - | - | 38 | 37 | 36 | 35 | - | - | | | | |
| | | | | | | | | | | | | | | 32 | 31 | - | 29 | 28 | 27 | - | - | 24 | 23 | - | - | 20 | 19 | 18 | 17 | | | | | |
| MX123 CONN ASSY 73 CKT BLU OPTO KEY C/41 | 345662323 | C-HSG-C0 | G-CAP-0-P | TPA-C0 | RS | LS | MAL | CPA | MSEAL | RSEAL | - | 71 | - | 69 | - | 67 | - | 65 | 64 | - | 62 | 61 | 60 | - | 58 | - | 56 | 55 | 54 | - | SALEABLE | | 345650003 | |
| | | | | | | | | | | | - | - | 50 | 49 | - | - | - | 45 | - | 43 | - | 41 | - | - | 38 | 37 | 36 | 35 | - | - | | | | |
| | | | | | | | | | | | | | | 32 | 31 | - | 29 | 28 | 27 | - | - | 24 | 23 | - | - | 19 | 18 | 17 | | | | | | |
| MX123 CONN ASSY 73 CKT BLK OPTO KEY A/33 | 345662333 | C-HSG-A0 | G-CAP-0-P | TPA-A0 | RS | LS | MAL | CPA | MSEAL | RSEAL | 72 | - | 70 | - | - | 67 | 66 | - | - | - | 62 | - | 60 | - | 58 | - | - | 55 | 54 | 53 | SALEABLE | | 345650003 | |
| | | | | | | | | | | | - | 51 | - | - | 48 | - | 46 | 45 | 44 | 43 | 42 | - | 40 | - | - | - | - | 35 | - | - | | | | |
| | | | | | | | | | | | | | | - | - | - | - | - | - | 26 | 25 | - | - | - | 21 | - | - | - | 17 | | | | | |
| MX123 CONN ASSY 73 CKT BLK OPTO KEY A/36 | 345662343 | C-HSG-A0 | G-CAP-0-P | TPA-A0 | RS | LS | MAL | CPA | MSEAL | RSEAL | - | 71 | - | 69 | - | - | - | - | 64 | 63 | 62 | 61 | 60 | 59 | - | - | 56 | - | 54 | 53 | SALEABLE | | 345650003 | |
| | | | | | | | | | | | 52 | 51 | 50 | - | 48 | - | 46 | 45 | - | - | - | - | 40 | - | 38 | - | 36 | - | 34 | 33 | | | | |
| | | | | | | | | | | | | | | - | 31 | - | 29 | 28 | - | 26 | - | - | 23 | 22 | - | - | - | - | | | | | | |
| MX123 CONN ASSY 73 CKT BLK OPTO KEY A/37 | 345662353 | C-HSG-A0 | G-CAP-0-P | TPA-A0 | RS | LS | MAL | CPA | MSEAL | RSEAL | - | 71 | - | 69 | 68 | - | - | - | 64 | 63 | 62 | 61 | 60 | 59 | - | - | 56 | - | 54 | 53 | SALEABLE | | 345650003 | |
| | | | | | | | | | | | 52 | 51 | 50 | - | 48 | - | 46 | 45 | - | - | - | - | 40 | - | 38 | - | 36 | - | 34 | 33 | | | | |
| | | | | | | | | | | | | | | - | 31 | - | 29 | 28 | - | 26 | - | - | 23 | 22 | - | - | - | - | | | | | | |
| | | | 16 | - | - | - | 12 | 11 | 10 | - | - | 7 | - | - | 4 | - | 2 | - | | | | | | | | | | | | | | | | |

| ASSEMBLY DESCRIPTION | ASSEMBLY PART NUMBER | CONNECTOR HOUSING | GROMMET CAP | TPA | RIGHT SLIDE | LEFT SLIDE | MATE ASSIST LEVER | CPA | MAT SEAL | RING SEAL | BLOCKED TERMINALS | | | | | | | | | | | | | | | | | | STATUS | COMMENTS | INTEGRAL COMPONENTS SOLD SEPARATELY | | | | | | |
|--|----------------------|-------------------|-------------|--------|-------------|------------|-------------------|-----|----------|-----------|--|----|----|----|----|----|----|----|----|----|----|----|----|----|----|----|----|----|--------|----------|-------------------------------------|----|----|----|----|----|----|
| | | | | | | | | | | | CAVITY WITH A NUMBER INDICATES BLOCKED TERMINAL POSITION | | | | | | | | | | | | | | | | | | | | DRESS COVER | | | | | | |
| | | | | | | | | | | | CAVITY WITHOUT A NUMBER INDICATES OPEN TERMINAL POSITION | | | | | | | | | | | | | | | | | | | | | | | | | | |
| MX123 CONN ASSY 73 CKT BLU OPTO KEY C/39 | 345662363 | C-HSG-C0 | G-CAP-0-P | TPA-C0 | RS | LS | MAL | CPA | MSEAL | RSEAL | - | 71 | - | 69 | 68 | - | - | 65 | 64 | - | - | 61 | 60 | - | 58 | - | 56 | 55 | 54 | - | | | | | | | |
| | | | | | | | | | | | - | - | 50 | 49 | 48 | 47 | - | 45 | - | 43 | - | 41 | - | - | - | 37 | 36 | 35 | - | - | | | | | | | |
| | | | | | | | | | | | | | | | | | | | | | | - | 31 | - | 29 | 28 | - | - | - | 24 | 23 | - | - | - | 19 | 18 | 17 |
| | | | | | | | | | | | | | | | | | | | | | | 16 | - | - | 13 | 12 | 11 | - | - | 8 | 7 | - | - | - | 3 | 2 | 1 |
| MX123 CONN ASSY 73 CKT GRY OPTO KEY B/21 | 345662373 | C-HSG-B0 | G-CAP-0-P | TPA-B0 | RS | LS | MAL | CPA | MSEAL | RSEAL | 72 | 71 | 70 | 69 | - | - | - | - | 63 | 62 | - | - | - | - | - | 56 | - | - | - | | | | | | | | |
| | | | | | | | | | | | 52 | - | - | - | - | - | - | - | 44 | - | - | - | - | - | - | 36 | - | - | - | | | | | | | | |
| | | | | | | | | | | | | | | | | | | | | | | - | - | - | 29 | 28 | 27 | - | 25 | - | - | - | - | 19 | 18 | 17 | |
| | | | | | | | | | | | | | | | | | | | | | | - | - | - | - | 12 | 11 | - | - | - | - | - | - | - | - | - | 1 |
| MX123 CONN ASSY 73 CKT GRY OPTO KEY B/50 | 345662383 | C-HSG-B0 | G-CAP-0-P | TPA-B0 | RS | LS | MAL | CPA | MSEAL | RSEAL | 72 | 71 | 70 | 69 | 68 | 67 | 66 | - | 64 | 63 | 62 | 61 | 60 | - | 58 | - | 56 | - | 54 | - | | | | | | | |
| | | | | | | | | | | | 52 | 51 | - | - | - | 47 | - | 45 | 44 | 43 | 42 | 41 | 40 | - | 38 | - | 36 | - | 34 | - | | | | | | | |
| | | | | | | | | | | | | | | | | | | | | | | 32 | 31 | 30 | - | 28 | 27 | 26 | 25 | - | - | 22 | - | 20 | 19 | 18 | 17 |
| | | | | | | | | | | | | | | | | | | | | | | 16 | - | 14 | 13 | 12 | 11 | 10 | 9 | 8 | - | - | - | - | - | 2 | 1 |
| MX123 CONN ASSY 73 CKT GRY OPTO KEY B/50 | 345662393 | C-HSG-B0 | G-CAP-0-P | TPA-B0 | RS | LS | MAL | CPA | MSEAL | RSEAL | 72 | 71 | 70 | 69 | 68 | 67 | 66 | 65 | 64 | 63 | 62 | 61 | 60 | - | 58 | - | 56 | - | 54 | - | | | | | | | |
| | | | | | | | | | | | 52 | 51 | - | - | - | 47 | - | 45 | 44 | 43 | 42 | 41 | 40 | - | 38 | - | 36 | - | 34 | - | | | | | | | |
| | | | | | | | | | | | | | | | | | | | | | | 32 | 31 | 30 | - | 28 | 27 | 26 | 25 | 24 | - | 22 | - | 20 | 19 | 18 | - |
| | | | | | | | | | | | | | | | | | | | | | | 16 | - | 14 | 13 | - | 11 | 10 | 9 | 8 | - | - | - | - | - | 2 | 1 |
| MX123 CONN ASSY 73 CKT BLK OPTO KEY A/38 | 345662413 | C-HSG-A0 | G-CAP-0-P | TPA-A0 | RS | LS | MAL | CPA | MSEAL | RSEAL | 72 | 71 | - | 69 | 68 | - | - | - | 64 | 63 | 62 | 61 | 60 | 59 | - | - | 56 | - | 54 | 53 | | | | | | | |
| | | | | | | | | | | | 52 | 51 | 50 | - | 48 | - | 46 | 45 | - | - | - | - | 40 | - | 38 | - | 36 | - | 34 | 33 | | | | | | | |
| | | | | | | | | | | | | | | | | | | | | | | - | 31 | - | 29 | 28 | - | 26 | - | - | 23 | 22 | - | - | - | - | - |
| | | | | | | | | | | | | | | | | | | | | | | 16 | - | - | - | 12 | 11 | 10 | - | - | 7 | - | - | 4 | - | 2 | - |
| MX123 CONN ASSY 73 CKT BLK OPTO KEY A/44 | 345662423 | C-HSG-A0 | G-CAP-0-P | TPA-A0 | RS | LS | MAL | CPA | MSEAL | RSEAL | 72 | 71 | 70 | 69 | 68 | 67 | 66 | 65 | 64 | - | 62 | 61 | 60 | 59 | - | - | - | - | - | - | | | | | | | |
| | | | | | | | | | | | - | - | 50 | - | 48 | 47 | 46 | 45 | - | - | - | - | 40 | 39 | 38 | 37 | - | - | - | - | | | | | | | |
| | | | | | | | | | | | | | | | | | | | | | | - | 31 | 30 | 29 | - | 27 | - | 25 | 24 | 23 | 22 | 21 | 20 | - | - | 17 |
| | | | | | | | | | | | | | | | | | | | | | | - | 15 | 14 | 13 | - | 11 | - | 9 | 8 | - | - | 5 | 4 | - | 2 | 1 |
| MX123 CONN ASSY 73 CKT BLK OPTO KEY A/44 | 345662433 | C-HSG-A0 | G-CAP-0-P | TPA-A0 | RS | LS | MAL | CPA | MSEAL | RSEAL | 72 | 71 | 70 | - | 68 | 67 | 66 | 65 | 64 | - | 62 | 61 | 60 | 59 | 58 | 57 | - | - | - | - | - | | | | | | |
| | | | | | | | | | | | - | - | 50 | - | 48 | 47 | 46 | 45 | - | - | - | - | 40 | 39 | 38 | 37 | - | - | - | - | | | | | | | |
| | | | | | | | | | | | | | | | | | | | | | | - | 31 | 30 | 29 | - | 27 | - | 25 | 24 | - | 22 | 21 | 20 | - | - | 17 |
| | | | | | | | | | | | | | | | | | | | | | | - | 15 | 14 | 13 | - | 11 | - | 9 | 8 | - | - | 5 | 4 | - | 2 | 1 |
| MX123 CONN ASSY 73 CKT BLU OPTO KEY C/40 | 345662443 | C-HSG-C0 | G-CAP-0-P | TPA-C0 | RS | LS | MAL | CPA | MSEAL | RSEAL | - | 71 | - | 69 | - | 67 | - | 65 | 64 | - | 62 | 61 | 60 | - | 58 | - | 56 | 55 | 54 | - | | | | | | | |
| | | | | | | | | | | | - | - | 50 | 49 | - | - | - | 45 | - | 43 | 42 | 41 | - | - | 38 | 37 | 36 | 35 | - | - | | | | | | | |
| | | | | | | | | | | | | | | | | | | | | | | - | 31 | - | 29 | 28 | 27 | - | - | 24 | 23 | - | - | - | 19 | 18 | 17 |
| | | | | | | | | | | | | | | | | | | | | | | 16 | - | - | - | 12 | 11 | - | - | 8 | 7 | - | - | - | 3 | 2 | 1 |
| MX123 CONN ASSY 73 CKT BLK OPTO KEY A/36 | 345662453 | C-HSG-A0 | G-CAP-0-P | TPA-A0 | RS | LS | MAL | CPA | MSEAL | RSEAL | 72 | - | 70 | - | 68 | 67 | 66 | - | - | - | 62 | 61 | 60 | 59 | - | - | - | - | - | - | | | | | | | |
| | | | | | | | | | | | - | - | 50 | - | 48 | 47 | 46 | - | - | - | - | - | 40 | 39 | 38 | - | - | - | - | - | | | | | | | |
| | | | | | | | | | | | | | | | | | | | | | | - | 31 | - | 29 | - | 27 | - | 25 | 24 | - | 22 | 21 | 20 | - | - | 17 |
| | | | | | | | | | | | | | | | | | | | | | | - | 15 | 14 | 13 | - | 11 | - | 9 | 8 | - | - | 5 | 4 | - | 2 | 1 |
| MX123 CONN ASSY 73 CKT BLK OPTO KEY A/36 | 345662463 | C-HSG-A0 | G-CAP-0-P | TPA-A0 | RS | LS | MAL | CPA | MSEAL | RSEAL | 72 | - | 70 | - | 68 | 67 | 66 | - | - | - | 62 | 61 | 60 | 59 | 58 | - | - | - | - | - | | | | | | | |
| | | | | | | | | | | | - | - | 50 | - | 48 | 47 | 46 | - | - | - | - | - | 40 | 39 | 38 | - | - | - | - | - | | | | | | | |
| | | | | | | | | | | | | | | | | | | | | | | - | 31 | - | - | - | 27 | - | 25 | 24 | - | 22 | 21 | 20 | - | - | 17 |
| | | | | | | | | | | | | | | | | | | | | | | - | 15 | 14 | 13 | - | 11 | - | 9 | 8 | - | - | 5 | 4 | - | 2 | 1 |
| MX123 CONN ASSY 73 CKT BLK OPTO KEY A/37 | 345662473 | C-HSG-A0 | G-CAP-0-P | TPA-A0 | RS | LS | MAL | CPA | MSEAL | RSEAL | 72 | 71 | - | 69 | - | - | - | - | 64 | 63 | 62 | 61 | 60 | 59 | - | - | 56 | - | 54 | 53 | | | | | | | |
| | | | | | | | | | | | 52 | 51 | 50 | - | 48 | - | 46 | 45 | - | - | - | - | 40 | - | 38 | - | 36 | - | 34 | 33 | | | | | | | |
| | | | | | | | | | | | | | | | | | | | | | | - | 31 | - | 29 | 28 | - | 26 | - | - | 23 | 22 | - | - | - | - | - |
| | | | | | | | | | | | | | | | | | | | | | | 16 | - | - | - | 12 | 11 | 10 | - | - | 7 | - | - | 4 | - | 2 | - |
| MX123 CONN ASSY 73 CKT BLK OPTO KEY A/36 | 345662483 | C-HSG-A0 | G-CAP-0-P | TPA-A0 | RS | LS | MAL | CPA | MSEAL | RSEAL | 72 | 71 | 70 | - | 68 | 67 | 66 | 65 | 64 | - | - | - | 60 | 59 | - | - | - | - | - | - | | | | | | | |
| | | | | | | | | | | | - | - | 50 | - | 48 | 47 | 46 | 45 | - | - | - | - | 40 | 39 | 38 | - | - | - | - | - | | | | | | | |
| | | | | | | | | | | | | | | | | | | | | | | - | 31 | 30 | - | - | - | - | 25 | 24 | - | 22 | 21 | 20 | - | - | 17 |
| | | | | | | | | | | | | | | | | | | | | | | - | 15 | 14 | - | - | - | - | 9 | - | 7 | 6 | 5 | 4 | - | 2 | 1 |

| ASSEMBLY DESCRIPTION | ASSEMBLY PART NUMBER | CONNECTOR HOUSING | GROMMET CAP | TPA | RIGHT SLIDE | LEFT SLIDE | MATE ASSIST LEVER | CPA | MAT SEAL | RING SEAL | BLOCKED TERMINALS | | | | | | | | | | | | | | | | | | STATUS | COMMENTS | INTEGRAL COMPONENTS SOLD SEPARATELY | | |
|--|----------------------|-------------------|-------------|--------|-------------|------------|-------------------|-----|----------|-----------|--|----|----|----|----|----|----|----|----|----|----|----|----|----|----|----|----|----|--------|----------|-------------------------------------|-----------|-----------|
| | | | | | | | | | | | CAVITY WITH A NUMBER INDICATES BLOCKED TERMINAL POSITION | | | | | | | | | | | | | | | | | | | | DRESS COVER | | |
| | | | | | | | | | | | CAVITY WITHOUT A NUMBER INDICATES OPEN TERMINAL POSITION | | | | | | | | | | | | | | | | | | | | | | |
| MX123 CONN ASSY 73 CKT BLU OPT9 KEY C/41 | 345662613 | C-HSG-C9 | G-CAP-9-P | TPA-C9 | RS | LS | MAL | CPA | MSEAL | RSEAL | - | 71 | - | 69 | 68 | - | - | 65 | 64 | - | - | 61 | 60 | - | 58 | - | 56 | 55 | 54 | - | SALEABLE | | 345650003 |
| | | | | | | | | | | | - | - | 50 | 49 | 48 | 47 | - | 45 | - | 43 | - | 41 | - | - | 38 | 37 | 36 | 35 | - | - | | | |
| | | | | | | | | | | | | | | 32 | 31 | - | 29 | 28 | - | - | - | 24 | 23 | - | - | - | 19 | 18 | 17 | | | | |
| | | | | | | | | | | | | | | 16 | - | - | 13 | 12 | 11 | - | - | 8 | 7 | - | - | - | 3 | 2 | 1 | | | | |
| MX123 CONN ASSY 73 CKT BLK OPT0 KEY A/34 | 345662623 | C-HSG-A0 | G-CAP-0-P | TPA-A0 | RS | LS | MAL | CPA | MSEAL | RSEAL | 72 | - | 70 | - | - | - | 66 | - | - | - | 62 | - | 60 | - | 58 | - | - | 55 | 54 | 53 | SALEABLE | | 345650003 |
| | | | | | | | | | | | 52 | 51 | - | - | 48 | - | 46 | 45 | 44 | 43 | 42 | - | 40 | 39 | - | - | - | 35 | - | - | | | |
| | | | | | | | | | | | | | | - | - | - | - | - | - | - | 26 | 25 | - | - | 22 | 21 | - | - | - | 17 | | | |
| | | | | | | | | | | | | | | - | 15 | 14 | - | - | - | - | - | - | 8 | - | 6 | 5 | - | 3 | 2 | 1 | | | |
| MX123 CONN ASSY 73 CKT BLK OPT0 KEY A/38 | 345662633 | C-HSG-A0 | G-CAP-0-P | TPA-A0 | RS | LS | MAL | CPA | MSEAL | RSEAL | 72 | - | 70 | - | - | - | 66 | - | - | 63 | 62 | - | 60 | - | 58 | - | - | 55 | 54 | 53 | SALEABLE | | 345650003 |
| | | | | | | | | | | | 52 | 51 | - | - | 48 | - | 46 | 45 | 44 | 43 | 42 | - | 40 | 39 | - | - | - | 35 | 34 | - | | | |
| | | | | | | | | | | | | | | - | - | - | - | - | - | - | 26 | 25 | - | - | 22 | 21 | - | - | - | 17 | | | |
| | | | | | | | | | | | | | | - | 15 | 14 | 13 | 12 | - | - | - | 8 | - | 6 | 5 | - | 3 | 2 | 1 | | | | |
| MX123 CONN ASSY 73 CKT BLK OPT0 KEY A/32 | 345662643 | C-HSG-A0 | G-CAP-0-P | TPA-A0 | RS | LS | MAL | CPA | MSEAL | RSEAL | 72 | - | 70 | - | - | - | 66 | - | - | - | 62 | - | 60 | - | 58 | - | - | 55 | 54 | 53 | SALEABLE | | 345650003 |
| | | | | | | | | | | | 52 | 51 | - | - | 48 | - | 46 | 45 | 44 | 43 | 42 | - | 40 | - | - | - | 35 | - | - | | | | |
| | | | | | | | | | | | | | | - | - | - | - | - | - | - | 26 | 25 | - | - | - | 21 | - | - | - | 17 | | | |
| | | | | | | | | | | | | | | - | 15 | 14 | - | - | - | - | - | - | 8 | - | 6 | 5 | - | 3 | 2 | 1 | | | |
| MX123 CONN ASSY 73 CKT BLK OPT0 KEY A/36 | 345662653 | C-HSG-A0 | G-CAP-0-P | TPA-A0 | RS | LS | MAL | CPA | MSEAL | RSEAL | 72 | - | 70 | - | - | - | 66 | - | - | 63 | 62 | - | 60 | - | 58 | - | - | 55 | 54 | 53 | SALEABLE | | 345650003 |
| | | | | | | | | | | | 52 | 51 | - | - | 48 | - | 46 | 45 | 44 | 43 | 42 | - | 40 | - | - | - | 35 | 34 | - | | | | |
| | | | | | | | | | | | | | | - | - | - | - | - | - | - | 26 | 25 | - | - | - | 21 | - | - | - | 17 | | | |
| | | | | | | | | | | | | | | - | 15 | 14 | 13 | 12 | - | - | - | 8 | - | 6 | 5 | - | 3 | 2 | 1 | | | | |
| MX123 CONN ASSY 73 CKT GRY OPT0 KEY B/27 | 345662693 | C-HSG-B0 | G-CAP-0-P | TPA-B0 | RS | LS | MAL | CPA | MSEAL | RSEAL | 72 | - | - | 69 | - | 67 | - | - | 64 | 63 | 62 | 61 | - | - | - | - | 56 | 55 | - | - | SALEABLE | | 345650003 |
| | | | | | | | | | | | 52 | - | - | - | - | 47 | - | - | 44 | - | - | - | - | - | - | - | - | 34 | - | - | | | |
| | | | | | | | | | | | | | | - | - | - | 29 | 28 | 27 | 26 | 25 | - | - | - | 21 | - | 19 | 18 | 17 | | | | |
| | | | | | | | | | | | | | | - | - | 14 | - | - | - | - | - | - | - | - | - | - | 3 | 2 | 1 | | | | |
| MX123 CONN ASSY 73 CKT GRY OPT0 KEY B/55 | 345662703 | C-HSG-B0 | G-CAP-0-P | TPA-B0 | RS | LS | MAL | CPA | MSEAL | RSEAL | 72 | 71 | 70 | 69 | 68 | 67 | 66 | - | 64 | 63 | 62 | 61 | 60 | - | 58 | - | 56 | - | 54 | - | SALEABLE | | 345650003 |
| | | | | | | | | | | | 52 | 51 | 50 | - | - | - | 46 | 45 | - | 43 | 42 | 41 | 40 | - | 38 | - | 36 | - | 34 | - | | | |
| | | | | | | | | | | | | | | 32 | 31 | 30 | - | - | 27 | 26 | 25 | 24 | - | 22 | - | 20 | 19 | 18 | 17 | | | | |
| | | | | | | | | | | | | | | 16 | 15 | 14 | 13 | 12 | 11 | 10 | 9 | 8 | - | 6 | 5 | 4 | 3 | 2 | 1 | | | | |
| MX123 CONN ASSY 73 CKT BLK OPT0 KEY A/33 | 345662713 | C-HSG-A0 | G-CAP-0-P | TPA-A0 | RS | LS | MAL | CPA | MSEAL | RSEAL | 72 | 71 | 70 | - | - | 67 | 66 | - | - | - | 62 | - | - | - | 57 | - | 55 | 54 | 53 | SALEABLE | | 345650003 | |
| | | | | | | | | | | | - | 51 | - | - | 48 | - | 46 | 45 | 44 | 43 | 42 | - | 40 | 39 | - | - | - | 35 | - | | | | - |
| | | | | | | | | | | | | | | - | - | - | - | - | - | - | 26 | - | - | - | 22 | 21 | - | - | - | | | | - |
| | | | | | | | | | | | | | | - | 15 | 14 | - | - | - | - | - | - | 8 | 7 | 6 | 5 | 4 | 3 | 2 | | | | - |
| MX123 CONN ASSY 73 CKT GRY OPT0 KEY B/20 | 345662723 | C-HSG-B0 | G-CAP-0-P | TPA-B0 | RS | LS | MAL | CPA | MSEAL | RSEAL | 72 | - | - | 69 | - | 67 | - | - | - | - | 62 | 61 | - | - | - | - | - | - | - | SALEABLE | | 345650003 | |
| | | | | | | | | | | | 52 | - | - | - | - | 47 | - | - | 44 | - | - | - | - | - | - | - | - | 34 | - | | | | - |
| | | | | | | | | | | | | | | - | - | - | 29 | 28 | 27 | 26 | 25 | - | - | - | 21 | - | - | 18 | 17 | | | | |
| | | | | | | | | | | | | | | - | - | 14 | - | - | - | - | - | - | - | - | - | - | - | - | 1 | | | | |
| MX123 CONN ASSY 73 CKT BLK OPT0 KEY A/35 | 345662733 | C-HSG-A0 | G-CAP-0-P | TPA-A0 | RS | LS | MAL | CPA | MSEAL | RSEAL | 72 | 71 | - | 69 | - | - | - | - | 64 | 63 | 62 | 61 | 60 | 59 | - | - | 56 | - | 54 | 53 | SALEABLE | | 345650003 |
| | | | | | | | | | | | 52 | 51 | 50 | - | 48 | - | 46 | 45 | - | - | - | - | 40 | - | 38 | - | 36 | 35 | 34 | 33 | | | |
| | | | | | | | | | | | | | | - | 31 | - | 29 | 28 | - | 26 | - | - | - | 22 | - | - | - | - | - | - | | | |
| | | | | | | | | | | | | | | - | - | 14 | - | 12 | 11 | - | - | - | 7 | - | - | 4 | - | - | - | | | | |
| MX123 CONN ASSY 73 CKT BLU OPT0 KEY C/41 | 345662743 | C-HSG-C0 | G-CAP-0-P | TPA-C0 | RS | LS | MAL | CPA | MSEAL | RSEAL | - | 71 | - | 69 | 68 | - | - | 65 | 64 | - | - | 61 | 60 | - | 58 | - | 56 | 55 | 54 | - | SALEABLE | | 345650003 |
| | | | | | | | | | | | - | - | 50 | 49 | 48 | 47 | - | 45 | - | 43 | - | 41 | - | - | 38 | 37 | 36 | 35 | - | - | | | |
| | | | | | | | | | | | | | | - | 31 | - | 29 | 28 | 27 | - | - | 24 | 23 | - | - | - | 19 | 18 | 17 | | | | |
| | | | | | | | | | | | | | | 16 | - | - | 13 | 12 | 11 | - | - | 8 | 7 | - | - | - | 3 | 2 | 1 | | | | |
| MX123 CONN ASSY 73 CKT BLK OPT0 KEY A/38 | 345662753 | C-HSG-A0 | G-CAP-0-P | TPA-A0 | RS | LS | MAL | CPA | MSEAL | RSEAL | 72 | 71 | 70 | 69 | 68 | 67 | 66 | 65 | 64 | - | - | - | 60 | 59 | - | - | - | - | - | SALEABLE | | 345650003 | |
| | | | | | | | | | | | - | - | 50 | - | 48 | 47 | 46 | 45 | - | - | - | - | 40 | 39 | 38 | - | - | - | - | | | | - |
| | | | | | | | | | | | | | | - | 31 | 30 | - | - | - | - | 25 | 24 | 23 | 22 | 21 | 20 | - | - | - | | | | 17 |
| | | | | | | | | | | | | | | - | - | 14 | - | - | - | - | 9 | 8 | 7 | 6 | 5 | 4 | - | 2 | 1 | | | | |

| ASSEMBLY DESCRIPTION | ASSEMBLY PART NUMBER | CONNECTOR HOUSING | GROMMET CAP | TPA | RIGHT SLIDE | LEFT SLIDE | MATE ASSIST LEVER | CPA | MAT SEAL | RING SEAL | BLOCKED TERMINALS | | | | | | | | | | | | | | | | | | | | STATUS | COMMENTS | INTEGRAL COMPONENTS SOLD SEPARATELY |
|--|----------------------|-------------------|-------------|--------|-------------|------------|-------------------|-----|----------|-----------|--|----|----|----|----|----|----|----|----|----|----|----|----|----|----|----|----|----|----------|----------|-----------|-----------|-------------------------------------|
| | | | | | | | | | | | CAVITY WITH A NUMBER INDICATES BLOCKED TERMINAL POSITION | | | | | | | | | | | | | | | | | | | | | | DRESS COVER |
| | | | | | | | | | | | CAVITY WITHOUT A NUMBER INDICATES OPEN TERMINAL POSITION | | | | | | | | | | | | | | | | | | | | | | |
| MX123 CONN ASSY 73 CKT GRY OPT0 KEY B/55 | 345662913 | C-HSG-B0 | G-CAP-0-P | TPA-B0 | RS | LS | MAL | CPA | MSEAL | RSEAL | 72 | 71 | 70 | 69 | - | - | 66 | 65 | - | 63 | 62 | 61 | 60 | 59 | - | 57 | 56 | 55 | 54 | 53 | SALEABLE | | 345650003 |
| | | | | | | | | | | | 52 | 51 | 50 | 49 | 48 | 47 | - | - | 44 | 43 | 42 | 41 | 40 | 39 | - | 37 | 36 | 35 | 34 | 33 | | | |
| | | | | | | | | | | | | | | | - | 31 | - | - | - | - | 26 | 25 | 24 | 23 | - | 21 | 20 | 19 | 18 | - | | | |
| | | | | | | | | | | | | | | | 16 | - | 14 | - | 12 | 11 | - | 9 | 8 | 7 | 6 | 5 | 4 | 3 | 2 | - | | | |
| MX123 CONN ASSY 73 CKT GRY OPT0 KEY B/59 | 345662923 | C-HSG-B0 | G-CAP-0-P | TPA-B0 | RS | LS | MAL | CPA | MSEAL | RSEAL | 72 | 71 | 70 | 69 | - | - | 66 | 65 | - | 63 | 62 | 61 | 60 | 59 | 58 | 57 | 56 | 55 | 54 | 53 | SALEABLE | | 345650003 |
| | | | | | | | | | | | 52 | 51 | 50 | 49 | 48 | 47 | - | - | 44 | 43 | 42 | 41 | 40 | 39 | 38 | 37 | 36 | 35 | 34 | 33 | | | |
| | | | | | | | | | | | | | | | - | 31 | - | - | - | - | 26 | 25 | 24 | 23 | 22 | 21 | 20 | 19 | 18 | - | | | |
| | | | | | | | | | | | | | | | 16 | - | 14 | - | 12 | 11 | - | 9 | 8 | 7 | 6 | 5 | 4 | 3 | 2 | 1 | | | |
| MX123 CONN ASSY 73 CKT BLK OPT0 KEY A/37 | 345662933 | C-HSG-A0 | G-CAP-0-P | TPA-A0 | RS | LS | MAL | CPA | MSEAL | RSEAL | - | 71 | 70 | - | 68 | - | 66 | - | 64 | - | 62 | 61 | - | 59 | 58 | - | - | 55 | 54 | - | SALEABLE | | 345650003 |
| | | | | | | | | | | | 52 | 51 | 50 | - | 48 | - | 46 | 45 | - | - | 42 | 41 | - | 39 | 38 | - | - | - | 34 | - | | | |
| | | | | | | | | | | | | | | | 32 | - | - | - | - | 27 | 26 | 25 | - | 23 | 22 | - | - | 19 | 18 | - | | | |
| | | | | | | | | | | | | | | | - | - | - | 13 | 12 | - | - | 9 | 8 | 7 | 6 | - | - | - | - | - | | | |
| MX123 CONN ASSY 73 CKT GRY OPT0 KEY B/23 | 345662943 | C-HSG-B0 | G-CAP-0-P | TPA-B0 | RS | LS | MAL | CPA | MSEAL | RSEAL | 72 | 71 | 70 | 69 | - | - | 66 | 65 | - | - | 62 | 61 | 60 | - | 58 | - | 56 | 55 | 54 | 53 | SALEABLE | | 345650003 |
| | | | | | | | | | | | 52 | 51 | 50 | 49 | 48 | 47 | - | - | 44 | - | 42 | 41 | 40 | - | 38 | - | 36 | 35 | 34 | 33 | | | |
| | | | | | | | | | | | | | | | - | 31 | - | - | - | - | 26 | 25 | 24 | 23 | 22 | - | 20 | 19 | 18 | 17 | | | |
| | | | | | | | | | | | | | | | 16 | 15 | 14 | 13 | 12 | 11 | - | 9 | 8 | 7 | - | - | - | - | 2 | 1 | | | |
| MX123 CONN ASSY 73 CKT GRY OPT0 KEY B/21 | 345662953 | C-HSG-B0 | G-CAP-0-P | TPA-B0 | RS | LS | MAL | CPA | MSEAL | RSEAL | 72 | 71 | 70 | 69 | - | - | 66 | 65 | - | - | 62 | 61 | 60 | - | 58 | 57 | 56 | 55 | 54 | 53 | SALEABLE | | 345650003 |
| | | | | | | | | | | | 52 | 51 | 50 | 49 | 48 | 47 | - | - | 44 | - | 42 | 41 | 40 | - | 38 | 37 | 36 | 35 | - | 33 | | | |
| | | | | | | | | | | | | | | | - | 31 | - | - | - | - | 26 | 25 | 24 | 23 | 22 | 21 | 20 | 19 | 18 | 17 | | | |
| | | | | | | | | | | | | | | | 16 | 15 | 14 | 13 | 12 | 11 | - | 9 | 8 | 7 | - | - | - | - | 2 | 1 | | | |
| MX123 CONN ASSY 73 CKT BLK OPT9 KEY A/38 | 345662983 | C-HSG-A9 | G-CAP-9-P | TPA-A9 | RS | LS | MAL | CPA | MSEAL | RSEAL | 72 | 71 | - | - | 68 | 67 | 66 | 65 | 64 | - | - | - | 60 | 59 | - | - | - | - | - | - | SALEABLE | | 345650003 |
| | | | | | | | | | | | - | - | 50 | - | 48 | 47 | 46 | 45 | - | - | - | - | 40 | 39 | 38 | - | - | 35 | - | 33 | | | |
| | | | | | | | | | | | | | | | - | 31 | 30 | - | - | - | - | 25 | 24 | 23 | 22 | 21 | 20 | - | - | - | | | |
| | | | | | | | | | | | | | | | - | - | 14 | - | - | - | - | 9 | 8 | 7 | 6 | 5 | 4 | - | - | - | | | |
| MX123 CONN ASSY 73 CKT GRY OPT9 KEY B/49 | 345662993 | C-HSG-B9 | G-CAP-9-P | TPA-B9 | RS | LS | MAL | CPA | MSEAL | RSEAL | - | - | - | 69 | - | - | - | 65 | 64 | 63 | - | - | - | - | - | - | - | - | SALEABLE | | 345650003 | | |
| | | | | | | | | | | | - | - | - | 49 | - | - | - | 45 | 44 | 43 | - | - | - | - | - | - | - | - | | | | - | |
| | | | | | | | | | | | | | | | - | - | - | - | - | - | - | - | 23 | 22 | 21 | 20 | 19 | 18 | | | | 17 | |
| | | | | | | | | | | | | | | | - | - | - | - | 12 | 11 | - | - | - | 7 | 6 | 5 | 4 | 3 | | | | 2 | 1 |
| MX123 CONN ASSY 73 CKT BLK OPT0 KEY A/6 | 345663003 | C-HSG-A0 | G-CAP-0-P | TPA-A0 | RS | LS | MAL | CPA | MSEAL | RSEAL | - | - | - | - | - | - | - | 65 | - | - | - | 61 | - | - | - | - | - | - | SALEABLE | | 345650003 | | |
| | | | | | | | | | | | - | - | - | - | - | - | - | 45 | - | - | - | - | - | - | - | - | - | - | | | | - | |
| | | | | | | | | | | | | | | | - | - | - | - | - | - | 26 | - | - | - | - | - | - | - | | | | - | |
| | | | | | | | | | | | | | | | - | - | - | - | - | 10 | - | - | - | - | - | - | - | - | | | | - | |
| MX123 CONN ASSY 73 CKT BLU OPT9 KEY C/41 | 345663013 | C-HSG-C9 | G-CAP-9-P | TPA-C9 | RS | LS | MAL | CPA | MSEAL | RSEAL | - | - | - | - | - | - | - | 65 | 64 | - | - | 61 | 60 | - | 58 | - | - | - | 54 | - | SALEABLE | | 345650003 |
| | | | | | | | | | | | - | - | 50 | 49 | 48 | 47 | - | 45 | - | 43 | - | 41 | - | - | - | 37 | 36 | 35 | - | - | | | |
| | | | | | | | | | | | | | | | - | 31 | - | 29 | 28 | 27 | - | - | 24 | 23 | - | - | 20 | - | - | 17 | | | |
| | | | | | | | | | | | | | | | 16 | - | - | 13 | 12 | 11 | - | - | 8 | 7 | - | - | - | - | 2 | 1 | | | |
| MX123 CONN ASSY 73 CKT BLU OPT0 KEY C/37 | 345663043 | C-HSG-C0 | G-CAP-0-P | TPA-C0 | RS | LS | MAL | CPA | MSEAL | RSEAL | - | 71 | - | 69 | - | 67 | - | 65 | 64 | - | - | 61 | 60 | - | 58 | - | 56 | 55 | 54 | - | SALEABLE | | 345650003 |
| | | | | | | | | | | | - | - | 50 | 49 | - | - | - | 45 | - | 43 | - | 41 | - | - | 38 | 37 | 36 | 35 | - | - | | | |
| | | | | | | | | | | | | | | | - | 31 | - | 29 | 28 | - | - | - | 24 | 23 | - | - | - | 19 | 18 | 17 | | | |
| | | | | | | | | | | | | | | | 16 | - | - | - | 12 | 11 | - | - | 8 | 7 | - | - | - | 3 | 2 | 1 | | | |
| MX123 CONN ASSY 73 CKT BLU OPT0 KEY C/38 | 345663053 | C-HSG-C0 | G-CAP-0-P | TPA-C0 | RS | LS | MAL | CPA | MSEAL | RSEAL | - | 71 | - | 69 | - | 67 | - | 65 | 64 | - | - | 61 | 60 | - | 58 | - | 56 | 55 | 54 | - | SALEABLE | | 345650003 |
| | | | | | | | | | | | - | - | 50 | 49 | - | - | - | 45 | - | 43 | - | 41 | - | - | 37 | 36 | 35 | - | - | | | | |
| | | | | | | | | | | | | | | | - | 31 | - | 29 | 28 | - | - | - | 24 | 23 | - | - | - | 19 | 18 | 17 | | | |
| | | | | | | | | | | | | | | | 16 | - | - | - | 12 | 11 | - | - | 8 | 7 | - | - | - | 3 | 2 | 1 | | | |
| MX123 CONN ASSY 73 CKT BLK OPT0 KEY A/36 | 345663063 | C-HSG-A0 | G-CAP-0-P | TPA-A0 | RS | LS | MAL | CPA | MSEAL | RSEAL | 72 | - | 70 | - | 68 | 67 | 66 | - | - | - | 62 | 61 | - | 59 | - | - | - | - | - | SALEABLE | | 345650003 | |
| | | | | | | | | | | | - | - | 50 | - | 48 | 47 | 46 | - | - | - | - | 40 | 39 | 38 | - | - | - | - | - | | | | |
| | | | | | | | | | | | | | | | - | 31 | - | 29 | - | 27 | - | 25 | 24 | 23 | 22 | 21 | 20 | - | - | | | | 17 |
| | | | | | | | | | | | | | | | - | 15 | 14 | 13 | - | 11 | - | 9 | 8 | 7 | 6 | 5 | 4 | - | 2 | | | | 1 |

| ASSEMBLY DESCRIPTION | ASSEMBLY PART NUMBER | CONNECTOR HOUSING | GROMMET CAP | TPA | RIGHT SLIDE | LEFT SLIDE | MATE ASSIST LEVER | CPA | MAT SEAL | RING SEAL | BLOCKED TERMINALS | | | | | | | | | | | | | | | | | | STATUS | COMMENTS | INTEGRAL COMPONENTS SOLD SEPARATELY | | | | | |
|--|----------------------|-------------------|-------------|--------|-------------|------------|-------------------|-----|----------|-----------|--|----|----|----|----|----|----|----|----|----|----|----|----|----|----|----------|----------|-----------|-----------|----------|-------------------------------------|----|----|----|---|----|
| | | | | | | | | | | | CAVITY WITH A NUMBER INDICATES BLOCKED TERMINAL POSITION | | | | | | | | | | | | | | | | | | | | DRESS COVER | | | | | |
| | | | | | | | | | | | CAVITY WITHOUT A NUMBER INDICATES OPEN TERMINAL POSITION | | | | | | | | | | | | | | | | | | | | | | | | | |
| MX123 CONN ASSY 73 CKT BLK OPTO KEY A/39 | 345663073 | C-HSG-A0 | G-CAP-0-P | TPA-A0 | RS | LS | MAL | CPA | MSEAL | RSEAL | 72 | - | 70 | - | 68 | 67 | 66 | - | - | - | 62 | 61 | - | 59 | 58 | - | - | - | - | - | | | | | | |
| | | | | | | | | | | | - | - | 50 | - | 48 | 47 | 46 | - | - | - | - | - | 40 | 39 | 38 | - | - | - | - | - | - | - | - | - | - | - |
| | | | | | | | | | | | | | | | | | | | | | | | | | | | | | - | 31 | - | 29 | - | 27 | - | 25 |
| | | | | | | | | | | | - | 15 | 14 | 13 | - | 11 | - | 9 | - | - | - | 5 | 4 | - | 2 | 1 | SALEABLE | | 345650003 | | | | | | | |
| MX123 CONN ASSY 73 CKT BLK OPTO KEY A/36 | 345663083 | C-HSG-A0 | G-CAP-0-P | TPA-A0 | RS | LS | MAL | CPA | MSEAL | RSEAL | 72 | - | 70 | - | 68 | 67 | 66 | - | - | - | 62 | 61 | - | 59 | - | - | - | - | - | | | | | | | |
| | | | | | | | | | | | - | - | 50 | - | 48 | 47 | 46 | - | - | - | - | - | 40 | 39 | 38 | - | - | - | - | - | - | - | - | - | | |
| | | | | | | | | | | | | | | | | | | | | | | | | | | | | | - | 31 | - | 29 | - | 27 | - | 25 |
| | | | | | | | | | | | - | 15 | 14 | 13 | 12 | - | - | 9 | 8 | 7 | 6 | 5 | 4 | - | 2 | 1 | SALEABLE | | 345650003 | | | | | | | |
| MX123 CONN ASSY 73 CKT BLK OPTO KEY A/36 | 345663093 | C-HSG-A0 | G-CAP-0-P | TPA-A0 | RS | LS | MAL | CPA | MSEAL | RSEAL | 72 | - | 70 | - | 68 | 67 | 66 | 65 | - | - | - | 61 | - | 59 | 58 | - | - | - | - | - | | | | | | |
| | | | | | | | | | | | - | - | 50 | - | 48 | 47 | 46 | - | - | - | - | - | 40 | 39 | 38 | - | - | - | - | - | - | - | - | - | | |
| | | | | | | | | | | | | | | | | | | | | | | | | | | | | | - | 31 | - | 29 | - | 27 | - | 25 |
| | | | | | | | | | | | - | 15 | 14 | 13 | - | 11 | - | 9 | 8 | 7 | 6 | 5 | 4 | - | 2 | 1 | SALEABLE | | 345650003 | | | | | | | |
| MX123 CONN ASSY 73 CKT GRY OPTO KEY B/48 | 345663103 | C-HSG-B0 | G-CAP-0-P | TPA-B0 | RS | LS | MAL | CPA | MSEAL | RSEAL | 72 | 71 | 70 | 69 | 68 | 67 | 66 | - | 64 | 63 | - | 61 | 60 | - | 58 | - | 56 | - | 54 | - | | | | | | |
| | | | | | | | | | | | 52 | 51 | 50 | - | - | 47 | - | 45 | 44 | 43 | - | 41 | 40 | - | 38 | - | 36 | - | 34 | - | - | - | - | - | | |
| | | | | | | | | | | | | | | | | | | | | | | | | | | | | | 32 | 31 | 30 | - | 28 | 27 | - | 25 |
| | | | | | | | | | | | 16 | - | 14 | 13 | 12 | 11 | 10 | - | - | - | 6 | 5 | - | - | 2 | 1 | SALEABLE | | 345650003 | | | | | | | |
| MX123 CONN ASSY 73 CKT BLK OPTO KEY A/39 | 345663113 | C-HSG-A0 | G-CAP-0-P | TPA-A0 | RS | LS | MAL | CPA | MSEAL | RSEAL | 72 | - | 70 | - | 68 | 67 | 66 | - | - | - | 62 | 61 | - | 59 | 58 | - | - | - | - | - | | | | | | |
| | | | | | | | | | | | - | - | 50 | - | 48 | 47 | 46 | - | - | - | - | - | 40 | 39 | 38 | - | - | - | - | - | - | - | - | - | | |
| | | | | | | | | | | | | | | | | | | | | | | | | | | | | | - | 31 | - | 29 | - | 27 | - | 25 |
| | | | | | | | | | | | - | 15 | 14 | 13 | - | 11 | - | 9 | - | 7 | 6 | - | 4 | - | 2 | 1 | SALEABLE | | 345650003 | | | | | | | |
| MX123 CONN ASSY 73 CKT GRY OPTO KEY B/32 | 345663123 | C-HSG-B0 | G-CAP-0-P | TPA-B0 | RS | LS | MAL | CPA | MSEAL | RSEAL | - | 71 | - | 69 | - | 67 | - | 65 | 64 | 63 | 62 | 61 | - | - | 58 | 57 | 56 | - | - | - | | | | | | |
| | | | | | | | | | | | - | 51 | - | 49 | - | 47 | - | 45 | 44 | 43 | 42 | 41 | - | - | 38 | 37 | 36 | - | - | - | - | - | - | | | |
| | | | | | | | | | | | | | | | | | | | | | | | | | | | | | - | - | - | - | - | - | - | - |
| | | | | | | | | | | | - | 15 | 14 | 13 | 12 | 11 | - | - | - | 7 | 6 | 5 | 4 | 3 | 2 | 1 | SALEABLE | | 345650003 | | | | | | | |
| MX123 CONN ASSY 73 CKT BLU OPTO KEY C/36 | 345663133 | C-HSG-C0 | G-CAP-0-P | TPA-C0 | RS | LS | MAL | CPA | MSEAL | RSEAL | - | 71 | - | 69 | - | - | - | 65 | 64 | - | - | 61 | 60 | - | 58 | - | 56 | 55 | 54 | - | | | | | | |
| | | | | | | | | | | | - | - | 50 | 49 | - | - | - | 45 | - | 43 | - | 41 | - | - | 38 | 37 | 36 | 35 | - | - | - | - | - | | | |
| | | | | | | | | | | | | | | | | | | | | | | | | | | | | | - | 31 | - | 29 | 28 | 27 | - | - |
| | | | | | | | | | | | 16 | - | - | 13 | 12 | 11 | - | - | 8 | 7 | - | - | 3 | 2 | 1 | SALEABLE | | 345650003 | | | | | | | | |
| MX123 CONN ASSY 73 CKT BLU OPTO KEY C/31 | 345663143 | C-HSG-C0 | G-CAP-0-P | TPA-C0 | RS | LS | MAL | CPA | MSEAL | RSEAL | - | 71 | - | 69 | 68 | 67 | - | 65 | 64 | - | - | 61 | 60 | - | 58 | - | 56 | 55 | 54 | - | | | | | | |
| | | | | | | | | | | | - | - | 50 | 49 | 48 | 47 | - | 45 | - | 43 | - | 41 | - | - | 38 | - | - | 35 | - | - | - | - | - | | | |
| | | | | | | | | | | | | | | | | | | | | | | | | | | | | | - | 31 | - | 29 | 28 | 27 | - | - |
| | | | | | | | | | | | 16 | - | - | 13 | 12 | 11 | - | - | 8 | 7 | - | 5 | 4 | 3 | 2 | 1 | SALEABLE | | 345650003 | | | | | | | |
| MX123 CONN ASSY 73 CKT BLK OPTO KEY A/26 | 345663153 | C-HSG-A0 | G-CAP-0-P | TPA-A0 | RS | LS | MAL | CPA | MSEAL | RSEAL | 72 | 71 | - | - | 68 | 67 | 66 | 65 | 64 | - | 62 | 61 | 60 | 59 | - | 57 | - | 55 | - | 53 | | | | | | |
| | | | | | | | | | | | - | - | 50 | - | 48 | - | 46 | 45 | - | - | - | - | 40 | 39 | 38 | 37 | - | 35 | - | 33 | - | - | - | | | |
| | | | | | | | | | | | | | | | | | | | | | | | | | | | | | - | 31 | 30 | 29 | - | 27 | - | 25 |
| | | | | | | | | | | | - | 15 | 14 | 13 | - | 11 | - | 9 | 8 | 7 | 6 | 5 | 4 | - | 2 | 1 | SALEABLE | | 345650003 | | | | | | | |
| MX123 CONN ASSY 73 CKT BLU OPTO KEY C/35 | 345663163 | C-HSG-C0 | G-CAP-0-P | TPA-C0 | RS | LS | MAL | CPA | MSEAL | RSEAL | - | 71 | - | 69 | 68 | 67 | 66 | 65 | 64 | - | - | 61 | 60 | - | 58 | - | - | - | 54 | - | | | | | | |
| | | | | | | | | | | | - | - | 50 | 49 | 48 | 47 | - | 45 | - | 43 | - | 41 | - | - | 38 | - | - | 35 | - | - | - | - | - | | | |
| | | | | | | | | | | | | | | | | | | | | | | | | | | | | | - | 31 | - | 29 | 28 | 27 | - | - |
| | | | | | | | | | | | 16 | - | - | 13 | 12 | 11 | - | - | 8 | 7 | - | 5 | 4 | - | 2 | 1 | SALEABLE | | 345650003 | | | | | | | |
| MX123 CONN ASSY 73 CKT BLK OPTO KEY A/29 | 345663173 | C-HSG-A0 | G-CAP-0-P | TPA-A0 | RS | LS | MAL | CPA | MSEAL | RSEAL | 72 | 71 | - | - | 68 | 67 | 66 | 65 | 64 | - | 62 | 61 | 60 | 59 | - | 57 | - | 55 | - | 53 | | | | | | |
| | | | | | | | | | | | - | - | 50 | - | 48 | - | 46 | 45 | - | - | - | - | 40 | 39 | 38 | 37 | - | 35 | - | 33 | - | - | - | | | |
| | | | | | | | | | | | | | | | | | | | | | | | | | | | | | - | 31 | 30 | 29 | - | 27 | - | 25 |
| | | | | | | | | | | | - | 15 | 14 | 13 | - | 11 | - | 9 | 8 | 7 | 6 | 5 | 4 | - | - | - | SALEABLE | | 345650003 | | | | | | | |
| MX123 CONN ASSY 73 CKT BLU OPTO KEY C/30 | 345663183 | C-HSG-C0 | G-CAP-0-P | TPA-C0 | RS | LS | MAL | CPA | MSEAL | RSEAL | - | 71 | - | 69 | 68 | 67 | - | 65 | 64 | - | - | 61 | 60 | - | 58 | - | - | - | 54 | - | | | | | | |
| | | | | | | | | | | | - | - | 50 | 49 | 48 | 47 | - | 45 | - | 43 | - | 41 | - | - | 38 | 37 | 36 | 35 | - | - | - | - | - | | | |
| | | | | | | | | | | | | | | | | | | | | | | | | | | | | | 32 | 31 | - | 29 | 28 | 27 | - | - |
| | | | | | | | | | | | 16 | - | - | 13 | 12 | 11 | - | - | 8 | 7 | - | 5 | 4 | 3 | 2 | 1 | SALEABLE | | 345650003 | | | | | | | |

| ASSEMBLY DESCRIPTION | ASSEMBLY PART NUMBER | CONNECTOR HOUSING | GROMMET CAP | TPA | RIGHT SLIDE | LEFT SLIDE | MATE ASSIST LEVER | CPA | MAT SEAL | RING SEAL | BLOCKED TERMINALS | | | | | | | | | | | | | | | | | | STATUS | COMMENTS | INTEGRAL COMPONENTS SOLD SEPARATELY | | |
|--|----------------------|-------------------|-------------|--------|-------------|------------|-------------------|-----|----------|-----------|--|----|----|----|----|----|----|----|----|----|----|----|----|----|----|----|----|----|--------|----------|-------------------------------------|-----------|-----------|
| | | | | | | | | | | | CAVITY WITH A NUMBER INDICATES BLOCKED TERMINAL POSITION | | | | | | | | | | | | | | | | | | | | DRESS COVER | | |
| | | | | | | | | | | | CAVITY WITHOUT A NUMBER INDICATES OPEN TERMINAL POSITION | | | | | | | | | | | | | | | | | | | | | | |
| MX123 CONN ASSY 73 CKT BLK OPTO KEY A/31 | 345663193 | C-HSG-A0 | G-CAP-0-P | TPA-A0 | RS | LS | MAL | CPA | MSEAL | RSEAL | 72 | 71 | 70 | - | 68 | 67 | 66 | 65 | 64 | - | 62 | 61 | 60 | 59 | - | 57 | - | - | - | - | SALEABLE | | 345650003 |
| | | | | | | | | | | | - | - | 50 | - | 48 | 47 | 46 | 45 | - | - | - | - | 40 | 39 | 38 | 37 | - | - | - | - | | | |
| | | | | | | | | | | | - | | | | | | | | | | | | | | | | | | | | | | |
| MX123 CONN ASSY 73 CKT GRY OPTO KEY B/42 | 345663203 | C-HSG-B0 | G-CAP-0-P | TPA-B0 | RS | LS | MAL | CPA | MSEAL | RSEAL | 72 | 71 | 70 | 69 | 68 | - | 66 | 65 | 64 | 63 | 62 | 61 | - | - | - | - | - | 54 | - | SALEABLE | | 345650003 | |
| | | | | | | | | | | | 52 | 51 | - | - | - | 47 | - | 45 | 44 | 43 | 42 | 41 | 40 | - | - | - | 36 | - | - | | | | - |
| | | | | | | | | | | | - | | | | | | | | | | | | | | | | | | | | | | |
| MX123 CONN ASSY 73 CKT BLU OPTO KEY C/31 | 345663213 | C-HSG-C0 | G-CAP-0-P | TPA-C0 | RS | LS | MAL | CPA | MSEAL | RSEAL | - | 71 | - | 69 | 68 | - | - | 65 | 64 | - | - | 61 | 60 | - | 58 | 57 | - | 55 | 54 | - | SALEABLE | | 345650003 |
| | | | | | | | | | | | - | - | 50 | 49 | 48 | 47 | - | 45 | - | 43 | - | 41 | - | 39 | 38 | 37 | 36 | 35 | - | - | | | |
| | | | | | | | | | | | - | | | | | | | | | | | | | | | | | | | | | | |
| MX123 CONN ASSY 73 CKT BLU OPTO KEY C/33 | 345663223 | C-HSG-C0 | G-CAP-0-P | TPA-C0 | RS | LS | MAL | CPA | MSEAL | RSEAL | - | 71 | - | 69 | 68 | - | - | 65 | 64 | - | - | 61 | 60 | - | 58 | - | 56 | 55 | 54 | - | SALEABLE | | 345650003 |
| | | | | | | | | | | | - | - | 50 | 49 | 48 | 47 | - | 45 | - | 43 | - | 41 | - | - | 38 | 37 | 36 | 35 | - | - | | | |
| | | | | | | | | | | | - | | | | | | | | | | | | | | | | | | | | | | |
| MX123 CONN ASSY 73 CKT BLK OPTO KEY A/36 | 345663233 | C-HSG-A0 | G-CAP-0-P | TPA-A0 | RS | LS | MAL | CPA | MSEAL | RSEAL | 72 | 71 | - | - | 68 | 67 | 66 | 65 | 64 | - | - | - | 60 | 59 | - | - | - | - | - | - | SALEABLE | | 345650003 |
| | | | | | | | | | | | - | - | 50 | - | 48 | 47 | 46 | 45 | - | - | - | - | 40 | 39 | 38 | - | - | 35 | - | 33 | | | |
| | | | | | | | | | | | - | | | | | | | | | | | | | | | | | | | | | | |
| MX123 CONN ASSY 73 CKT BLU OPTO KEY C/31 | 345663243 | C-HSG-C0 | G-CAP-0-P | TPA-C0 | RS | LS | MAL | CPA | MSEAL | RSEAL | - | 71 | - | 69 | 68 | 67 | - | 65 | 64 | - | - | 61 | 60 | - | 58 | - | 56 | 55 | 54 | - | SALEABLE | | 345650003 |
| | | | | | | | | | | | - | - | 50 | 49 | 48 | 47 | - | 45 | - | 43 | - | 41 | - | - | 38 | 37 | 36 | 35 | - | - | | | |
| | | | | | | | | | | | - | | | | | | | | | | | | | | | | | | | | | | |
| MX123 CONN ASSY 73 CKT BLK OPTO KEY A/28 | 345663253 | C-HSG-A0 | G-CAP-0-P | TPA-A0 | RS | LS | MAL | CPA | MSEAL | RSEAL | 72 | 71 | - | - | 68 | 67 | 66 | 65 | 64 | - | 62 | 61 | 60 | 59 | - | 57 | - | - | - | - | SALEABLE | | 345650003 |
| | | | | | | | | | | | - | - | 50 | - | 48 | 47 | 46 | 45 | - | - | - | - | 40 | 39 | 38 | 37 | - | 35 | - | 33 | | | |
| | | | | | | | | | | | - | | | | | | | | | | | | | | | | | | | | | | |
| MX123 CONN ASSY 73 CKT BLU OPTO KEY C/36 | 345663263 | C-HSG-C0 | G-CAP-0-P | TPA-C0 | RS | LS | MAL | CPA | MSEAL | RSEAL | - | 71 | - | 69 | 68 | 67 | - | 65 | 64 | - | - | 61 | 60 | - | 58 | - | - | - | 54 | - | SALEABLE | | 345650003 |
| | | | | | | | | | | | - | - | 50 | 49 | 48 | 47 | - | 45 | - | 43 | - | 41 | - | - | 38 | 37 | 36 | 35 | - | - | | | |
| | | | | | | | | | | | - | | | | | | | | | | | | | | | | | | | | | | |
| MX123 CONN ASSY 73 CKT BLK OPTO KEY A/31 | 345663273 | C-HSG-A0 | G-CAP-0-P | TPA-A0 | RS | LS | MAL | CPA | MSEAL | RSEAL | 72 | 71 | - | - | 68 | 67 | 66 | 65 | 64 | - | 62 | 61 | 60 | 59 | - | 57 | - | - | - | - | SALEABLE | | 345650003 |
| | | | | | | | | | | | - | - | 50 | - | 48 | 47 | 46 | 45 | - | - | - | - | 40 | 39 | 38 | 37 | - | 35 | - | 33 | | | |
| | | | | | | | | | | | - | | | | | | | | | | | | | | | | | | | | | | |
| MX123 CONN ASSY 73 CKT BLU OPTO KEY C/31 | 345663283 | C-HSG-C0 | G-CAP-0-P | TPA-C0 | RS | LS | MAL | CPA | MSEAL | RSEAL | - | 71 | - | 69 | 68 | - | - | 65 | 64 | - | - | 61 | 60 | - | 58 | - | 56 | 55 | 54 | - | SALEABLE | | 345650003 |
| | | | | | | | | | | | - | - | 50 | 49 | 48 | 47 | - | 45 | - | 43 | - | 41 | - | - | 38 | 37 | 36 | 35 | - | - | | | |
| | | | | | | | | | | | - | | | | | | | | | | | | | | | | | | | | | | |
| MX123 CONN ASSY 73 CKT GRY OPTO KEY B/49 | 345663293 | C-HSG-B0 | G-CAP-0-P | TPA-B0 | RS | LS | MAL | CPA | MSEAL | RSEAL | - | - | - | 69 | - | - | - | 65 | 64 | 63 | - | - | - | - | - | - | - | - | - | SALEABLE | | 345650003 | |
| | | | | | | | | | | | - | - | - | 49 | - | - | 46 | 45 | 44 | 43 | - | - | - | - | - | - | - | - | - | | | | - |
| | | | | | | | | | | | - | | | | | | | | | | | | | | | | | | | | | | |
| MX123 CONN ASSY 73 CKT GRY OPTO KEY B/44 | 345663303 | C-HSG-B0 | G-CAP-0-P | TPA-B0 | RS | LS | MAL | CPA | MSEAL | RSEAL | 72 | 71 | 70 | 69 | 68 | 67 | 66 | 65 | 64 | 63 | 62 | 61 | 60 | - | - | - | - | - | 54 | - | SALEABLE | | 345650003 |
| | | | | | | | | | | | 52 | 51 | - | - | - | 47 | - | 45 | 44 | 43 | 42 | 41 | 40 | - | - | - | 36 | - | - | - | | | |
| | | | | | | | | | | | - | | | | | | | | | | | | | | | | | | | | | | |

| ASSEMBLY DESCRIPTION | ASSEMBLY PART NUMBER | CONNECTOR HOUSING | GROMMET CAP | TPA | RIGHT SLIDE | LEFT SLIDE | MATE ASSIST LEVER | CPA | MAT SEAL | RING SEAL | BLOCKED TERMINALS | | | | | | | | | | | | | | | | | | STATUS | COMMENTS | INTEGRAL COMPONENTS SOLD SEPARATELY |
|--|----------------------|-------------------|-------------|--------|-------------|------------|-------------------|-----|----------|-----------|--|----|----|----|----|----|----|----|----|----|----|----|----|----|----|----|----|----|--------|----------|-------------------------------------|
| | | | | | | | | | | | CAVITY WITH A NUMBER INDICATES BLOCKED TERMINAL POSITION | | | | | | | | | | | | | | | | | | | | DRESS COVER |
| | | | | | | | | | | | CAVITY WITHOUT A NUMBER INDICATES OPEN TERMINAL POSITION | | | | | | | | | | | | | | | | | | | | |
| MX123 CONN ASSY 73 CKT BLU OPT0 KEY C/28 | 345663313 | C-HSG-C0 | G-CAP-0-P | TPA-C0 | RS | LS | MAL | CPA | MSEAL | RSEAL | - | 71 | - | 69 | 68 | 67 | 66 | 65 | 64 | - | - | 61 | 60 | - | 58 | - | 56 | 55 | 54 | - | |
| | | | | | | | | | | | - | - | 50 | 49 | 48 | 47 | - | 45 | - | 43 | - | 41 | - | - | 38 | 37 | 36 | 35 | - | - | |
| | | | | | | | | | | | | | | | - | 31 | - | 29 | 28 | 27 | - | - | 24 | 23 | - | - | 20 | 19 | 18 | 17 | |
| | | | | | | | | | | | | | | | 16 | - | - | 13 | 12 | 11 | 10 | 9 | 8 | 7 | - | - | - | 3 | 2 | 1 | |
| MX123 CONN ASSY 73 CKT GRY OPT0 KEY B/25 | 345663323 | C-HSG-B0 | G-CAP-0-P | TPA-B0 | RS | LS | MAL | CPA | MSEAL | RSEAL | 72 | 71 | 70 | 69 | - | - | - | - | - | - | 62 | 61 | 60 | 59 | - | 57 | 56 | - | 54 | 53 | |
| | | | | | | | | | | | 52 | 51 | 50 | - | - | 47 | - | - | - | - | 42 | 41 | 40 | 39 | - | 37 | 36 | 35 | 34 | 33 | |
| | | | | | | | | | | | | | | | - | 31 | - | - | - | - | 26 | 25 | 24 | 23 | - | 21 | 20 | 19 | 18 | - | |
| | | | | | | | | | | | | | | | - | 15 | 14 | 13 | 12 | 11 | - | 9 | 8 | 7 | 6 | 5 | 4 | 3 | 2 | 1 | |
| MX123 CONN ASSY 73 CKT BLK OPT0 KEY A/49 | 345663333 | C-HSG-A0 | G-CAP-0-P | TPA-A0 | RS | LS | MAL | CPA | MSEAL | RSEAL | - | - | - | - | - | 67 | 66 | - | - | - | 62 | - | 60 | - | - | - | 55 | - | 53 | | |
| | | | | | | | | | | | - | - | - | - | 48 | - | 46 | 45 | 44 | 43 | - | - | 40 | 39 | - | - | - | 35 | - | - | |
| | | | | | | | | | | | | | | | - | - | - | - | - | - | - | 25 | - | - | 22 | 21 | - | - | - | - | |
| | | | | | | | | | | | | | | | - | 15 | 14 | - | - | - | - | - | 8 | 7 | 6 | 5 | 4 | - | - | - | |
| MX123 CONN ASSY 73 CKT BLK OPT0 KEY A/41 | 345663343 | C-HSG-A0 | G-CAP-0-P | TPA-A0 | RS | LS | MAL | CPA | MSEAL | RSEAL | - | 71 | 70 | - | 68 | - | - | - | 64 | - | 62 | 61 | - | 59 | 58 | - | - | 55 | 54 | - | |
| | | | | | | | | | | | 52 | 51 | 50 | - | 48 | - | 46 | 45 | - | - | - | 41 | - | 39 | 38 | - | - | - | 34 | - | |
| | | | | | | | | | | | | | | | 32 | - | - | - | - | 27 | - | 25 | - | 23 | 22 | - | - | 19 | 18 | - | |
| | | | | | | | | | | | | | | | - | - | - | - | 12 | - | - | 9 | 8 | 7 | 6 | - | - | - | - | - | |
| MX123 CONN ASSY 73 CKT GRY OPT0 KEY B/23 | 345663353 | C-HSG-B0 | G-CAP-0-P | TPA-B0 | RS | LS | MAL | CPA | MSEAL | RSEAL | 72 | 71 | 70 | 69 | - | - | 66 | 65 | - | 63 | 62 | 61 | 60 | - | - | 57 | 56 | 55 | - | 53 | |
| | | | | | | | | | | | 52 | 51 | 50 | 49 | 48 | 47 | - | - | 44 | 43 | 42 | 41 | 40 | - | - | 37 | 36 | 35 | 34 | 33 | |
| | | | | | | | | | | | | | | | - | 31 | - | - | - | - | 26 | 25 | 24 | - | - | 21 | 20 | 19 | 18 | - | |
| | | | | | | | | | | | | | | | 16 | 15 | 14 | 13 | - | 11 | - | 9 | - | 7 | 6 | 5 | 4 | 3 | 2 | - | |
| MX123 CONN ASSY 73 CKT BLK OPT0 KEY A/45 | 345663363 | C-HSG-A0 | G-CAP-0-P | TPA-A0 | RS | LS | MAL | CPA | MSEAL | RSEAL | 72 | - | 70 | - | - | 67 | 66 | - | - | - | 62 | - | 60 | - | 58 | - | - | 55 | - | 53 | |
| | | | | | | | | | | | - | 51 | - | - | 48 | - | 46 | 45 | 44 | 43 | - | - | - | - | - | - | 35 | - | - | | |
| | | | | | | | | | | | | | | | - | - | - | - | - | - | - | 25 | - | - | - | 21 | - | - | - | 17 | |
| | | | | | | | | | | | | | | | - | 15 | 14 | - | - | - | - | - | 8 | 7 | 6 | 5 | 4 | 3 | 2 | - | |
| MX123 CONN ASSY 73 CKT BLU OPT9 KEY C/41 | 345663373 | C-HSG-C9 | G-CAP-9-P | TPA-C9 | RS | LS | MAL | CPA | MSEAL | RSEAL | - | 71 | - | 69 | - | - | - | 65 | 64 | - | - | 61 | 60 | - | 58 | - | - | - | 54 | - | |
| | | | | | | | | | | | - | - | 50 | 49 | - | - | - | 45 | - | 43 | - | 41 | - | - | - | 37 | 36 | 35 | - | - | |
| | | | | | | | | | | | | | | | - | 31 | - | 29 | 28 | 27 | - | - | 24 | 23 | - | - | 20 | - | - | 17 | |
| | | | | | | | | | | | | | | | 16 | - | - | 13 | 12 | 11 | - | - | 8 | 7 | - | - | - | - | 2 | 1 | |
| MX123 CONN ASSY 73 CKT BLK OPT0 KEY A/44 | 345663383 | C-HSG-A0 | G-CAP-0-P | TPA-A0 | RS | LS | MAL | CPA | MSEAL | RSEAL | 72 | 71 | - | - | - | 67 | 66 | - | - | - | 62 | - | 60 | - | - | - | 55 | - | 53 | | |
| | | | | | | | | | | | - | 51 | - | - | - | - | 46 | 45 | 44 | 43 | - | - | 40 | 39 | - | - | - | 35 | - | - | |
| | | | | | | | | | | | | | | | - | - | - | - | - | - | - | 25 | - | - | 22 | 21 | - | - | - | 17 | |
| | | | | | | | | | | | | | | | - | 15 | 14 | - | - | - | - | - | 8 | 7 | 6 | 5 | 4 | 3 | 2 | - | |
| MX123 CONN ASSY 73 CKT BLU OPT0 KEY C/35 | 345663393 | C-HSG-C0 | G-CAP-0-P | TPA-C0 | RS | LS | MAL | CPA | MSEAL | RSEAL | - | 71 | - | 69 | - | - | - | 65 | 64 | - | - | 61 | 60 | - | 58 | - | 56 | 55 | 54 | - | |
| | | | | | | | | | | | - | - | 50 | 49 | - | - | - | 45 | - | 43 | - | 41 | - | - | - | 38 | 37 | 36 | 35 | - | - |
| | | | | | | | | | | | | | | | - | 31 | - | 29 | 28 | 27 | - | - | 24 | 23 | - | - | 20 | 19 | 18 | 17 | |
| | | | | | | | | | | | | | | | 16 | - | - | 13 | 12 | 11 | - | - | 8 | 7 | - | - | - | - | 3 | 2 | 1 |
| MX123 CONN ASSY 73 CKT BLK OPT0 KEY A/6 | 345663403 | C-HSG-A0 | G-CAP-0-P | TPA-A0 | RS | LS | MAL | CPA | MSEAL | RSEAL | - | - | - | - | - | - | - | 65 | - | - | - | 61 | - | - | - | - | - | - | - | | |
| | | | | | | | | | | | - | - | - | - | - | - | - | 45 | - | - | - | - | - | - | - | - | - | - | - | - | |
| | | | | | | | | | | | | | | | - | - | - | - | - | - | - | 26 | - | - | - | - | - | - | - | - | |
| | | | | | | | | | | | | | | | - | - | - | - | - | - | - | 10 | - | - | - | - | - | - | - | - | |
| MX123 CONN ASSY 73 CKT BLK OPT0 KEY A/45 | 345663413 | C-HSG-A0 | G-CAP-0-P | TPA-A0 | RS | LS | MAL | CPA | MSEAL | RSEAL | - | 71 | - | 69 | 68 | - | - | - | 64 | 63 | 62 | - | 60 | 59 | - | - | 56 | - | - | 53 | |
| | | | | | | | | | | | 52 | 51 | - | - | 48 | - | 46 | - | - | - | - | - | 40 | - | 38 | - | 36 | - | 34 | 33 | |
| | | | | | | | | | | | | | | | - | 31 | - | 29 | 28 | - | - | - | - | 23 | 22 | - | - | - | - | - | |
| | | | | | | | | | | | | | | | - | - | 14 | - | 12 | - | - | - | - | 7 | - | - | 4 | - | - | - | |
| MX123 CONN ASSY 73 CKT BLU OPT9 KEY C/31 | 345663423 | C-HSG-C9 | G-CAP-9-P | TPA-C9 | RS | LS | MAL | CPA | MSEAL | RSEAL | 72 | 71 | 70 | - | 68 | 67 | 66 | 65 | 64 | - | 62 | 61 | 60 | 59 | - | 57 | - | - | - | - | |
| | | | | | | | | | | | - | - | 50 | - | 48 | 47 | 46 | 45 | - | - | - | - | 40 | 39 | 38 | 37 | - | - | - | - | |
| | | | | | | | | | | | | | | | - | 31 | 30 | 29 | - | 27 | - | 25 | 24 | 23 | 22 | 21 | 20 | - | - | - | |
| | | | | | | | | | | | | | | | - | 15 | 14 | 13 | - | 11 | - | 9 | 8 | 7 | 6 | 5 | 4 | - | - | - | |

| ASSEMBLY DESCRIPTION | ASSEMBLY PART NUMBER | CONNECTOR HOUSING | GROMMET CAP | TPA | RIGHT SLIDE | LEFT SLIDE | MATE ASSIST LEVER | CPA | MAT SEAL | RING SEAL | BLOCKED TERMINALS | | | | | | | | | | | | | | | | | | STATUS | COMMENTS | INTEGRAL COMPONENTS SOLD SEPARATELY | | | | | | | |
|--|----------------------|-------------------|-------------|--------|-------------|------------|-------------------|-----|----------|-----------|--|----|----|----|----|----|----|----|----|----|----|----|----|----|----|----|----|----|----------|----------|-------------------------------------|-----------|-----------|--|--|--|--|--|
| | | | | | | | | | | | CAVITY WITH A NUMBER INDICATES BLOCKED TERMINAL POSITION | | | | | | | | | | | | | | | | | | | | DRESS COVER | | | | | | | |
| | | | | | | | | | | | CAVITY WITHOUT A NUMBER INDICATES OPEN TERMINAL POSITION | | | | | | | | | | | | | | | | | | | | | | | | | | | |
| MX123 CONN ASSY 73 CKT BLU OPT9 KEY C/30 | 345663433 | C-HSG-C9 | G-CAP-9-P | TPA-C9 | RS | LS | MAL | CPA | MSEAL | RSEAL | - | 71 | - | 69 | 68 | 67 | - | 65 | 64 | - | - | 61 | 60 | - | 58 | - | - | - | 54 | - | SALEABLE | | 345650003 | | | | | |
| | | | | | | | | | | | - | - | 50 | 49 | 48 | 47 | - | 45 | - | 43 | - | 41 | - | - | 38 | 37 | 36 | 35 | - | - | | | | | | | | |
| | | | | | | | | | | | | | | | 32 | 31 | - | 29 | 28 | 27 | - | - | 24 | 23 | - | - | 20 | 19 | 18 | 17 | | | | | | | | |
| | | | | 16 | - | - | 13 | 12 | 11 | - | - | 8 | 7 | - | 5 | 4 | 3 | 2 | 1 | | | | | | | | | | | | | | | | | | | |
| MX123 CONN ASSY 73 CKT BLK OPT0 KEY A/36 | 345663443 | C-HSG-A0 | G-CAP-0-P | TPA-A0 | RS | LS | MAL | CPA | MSEAL | RSEAL | 72 | - | 70 | - | 68 | 67 | 66 | - | - | - | 62 | 61 | - | 59 | 58 | - | - | - | - | - | SALEABLE | | 345650003 | | | | | |
| | | | | | | | | | | | - | - | 50 | - | 48 | 47 | 46 | - | - | - | - | 40 | 39 | 38 | - | - | - | - | - | | | | | | | | | |
| | | | | | | | | | | | | | | | - | 31 | - | 29 | - | 27 | - | 25 | 24 | - | 22 | 21 | 20 | - | - | 17 | | | | | | | | |
| | | | | - | 15 | 14 | 13 | - | 11 | - | 9 | 8 | 7 | 6 | 5 | 4 | - | 2 | 1 | | | | | | | | | | | | | | | | | | | |
| MX123 CONN ASSY 73 CKT BLK OPT0 KEY A/6 | 345663453 | C-HSG-A0 | G-CAP-0-P | TPA-A0 | RS | LS | MAL | CPA | MSEAL | RSEAL | 72 | 71 | 70 | 69 | 68 | 67 | 66 | 65 | 64 | 63 | 62 | - | 60 | 59 | 58 | 57 | 56 | 55 | 54 | 53 | SALEABLE | | 345650003 | | | | | |
| | | | | | | | | | | | 52 | 51 | 50 | 49 | 48 | 47 | 46 | 45 | 44 | 43 | 42 | 41 | 40 | 39 | 38 | 37 | 36 | 35 | 34 | 33 | | | | | | | | |
| | | | | | | | | | | | | | | | 32 | 31 | 30 | 29 | 28 | 27 | 26 | 25 | 24 | 23 | 22 | 21 | - | 19 | 18 | 17 | | | | | | | | |
| | | | | 16 | 15 | 14 | 13 | 12 | 11 | 10 | - | 8 | 7 | 6 | - | 4 | 3 | 2 | - | | | | | | | | | | | | | | | | | | | |
| MX123 CONN ASSY 73 CKT GRY OPT9 KEY B/54 | 345663473 | C-HSG-B9 | G-CAP-9-P | TPA-B9 | RS | LS | MAL | CPA | MSEAL | RSEAL | - | - | - | - | - | - | - | - | - | 63 | - | - | - | - | - | - | - | - | 53 | SALEABLE | | 345650003 | | | | | | |
| | | | | | | | | | | | - | - | - | - | 48 | 47 | - | 45 | - | 43 | 42 | 41 | - | 39 | - | - | - | 35 | 34 | | | | 33 | | | | | |
| | | | | | | | | | | | | | | | - | - | - | - | - | - | 26 | - | - | 23 | 22 | - | - | 19 | - | | | | - | | | | | |
| | | | | - | - | - | - | - | 11 | - | - | 8 | - | - | - | - | - | - | 1 | | | | | | | | | | | | | | | | | | | |
| MX123 CONN ASSY 73 CKT GRY OPT0 KEY B/51 | 345663483 | C-HSG-B0 | G-CAP-0-P | TPA-B0 | RS | LS | MAL | CPA | MSEAL | RSEAL | - | - | - | - | - | - | - | 64 | 63 | 62 | - | - | 59 | 58 | - | - | - | - | 53 | SALEABLE | | 345650003 | | | | | | |
| | | | | | | | | | | | - | - | - | - | - | 47 | - | 45 | - | 43 | 42 | 41 | - | 39 | - | - | - | 35 | 34 | | | | 33 | | | | | |
| | | | | | | | | | | | | | | | - | - | - | - | - | - | 26 | 25 | - | 23 | 22 | - | - | - | - | | | | - | | | | | |
| | | | | - | - | - | - | - | - | - | - | 8 | - | - | - | - | 3 | - | 1 | | | | | | | | | | | | | | | | | | | |
| MX123 CONN ASSY 73 CKT BLK OPT0 KEY A/44 | 345663493 | C-HSG-A0 | G-CAP-0-P | TPA-A0 | RS | LS | MAL | CPA | MSEAL | RSEAL | - | 71 | - | 69 | 68 | - | - | - | 64 | 63 | 62 | - | 60 | 59 | - | - | 56 | - | - | 53 | SALEABLE | | 345650003 | | | | | |
| | | | | | | | | | | | 52 | 51 | 50 | - | 48 | - | 46 | - | - | - | - | 40 | - | 38 | - | 36 | - | 34 | 33 | | | | | | | | | |
| | | | | | | | | | | | | | | | - | 31 | - | 29 | 28 | - | - | - | - | 23 | 22 | - | - | - | - | - | | | | | | | | |
| | | | | - | - | 14 | - | 12 | - | - | - | 7 | - | - | - | - | - | - | 1 | | | | | | | | | | | | | | | | | | | |
| MX123 CONN ASSY 73 CKT BLK OPT0 KEY A/32 | 345663503 | C-HSG-A0 | G-CAP-0-P | TPA-A0 | RS | LS | MAL | CPA | MSEAL | RSEAL | - | - | 70 | - | - | - | - | 65 | - | - | - | 61 | - | - | 58 | 57 | 56 | 55 | 54 | 53 | SALEABLE | | 345650003 | | | | | |
| | | | | | | | | | | | - | 51 | 50 | - | - | 47 | - | 45 | - | - | - | 41 | - | - | 38 | 37 | 36 | - | 34 | - | | | | | | | | |
| | | | | | | | | | | | | | | | - | 31 | 30 | - | 28 | - | 26 | 25 | - | 22 | 21 | 20 | 19 | 18 | - | | | | | | | | | |
| | | | | 16 | 15 | - | - | - | - | 10 | - | - | - | - | - | - | - | - | - | - | | | | | | | | | | | | | | | | | | |
| MX123 CONN ASSY 73 CKT BLK OPT0 KEY A/37 | 345663513 | C-HSG-A0 | G-CAP-0-P | TPA-A0 | RS | LS | MAL | CPA | MSEAL | RSEAL | 72 | 71 | - | - | 68 | 67 | 66 | 65 | 64 | - | - | - | - | 59 | - | - | - | - | - | SALEABLE | | 345650003 | | | | | | |
| | | | | | | | | | | | - | - | 50 | - | 48 | 47 | 46 | 45 | - | - | - | - | 40 | 39 | 38 | - | - | 35 | - | | | | 33 | | | | | |
| | | | | | | | | | | | | | | | - | 31 | 30 | - | - | - | - | 25 | 24 | 23 | 22 | 21 | 20 | - | - | | | | 17 | | | | | |
| | | | | - | - | 14 | - | - | - | - | 9 | 8 | 7 | 6 | 5 | 4 | - | 2 | 1 | | | | | | | | | | | | | | | | | | | |
| MX123 CONN ASSY 73 CKT BLK OPT0 KEY A/31 | 345663523 | C-HSG-A0 | G-CAP-0-P | TPA-A0 | RS | LS | MAL | CPA | MSEAL | RSEAL | - | 71 | - | 69 | 68 | 67 | - | 65 | 64 | - | - | 61 | 60 | 59 | 58 | 57 | - | - | - | 53 | SALEABLE | | 345650003 | | | | | |
| | | | | | | | | | | | - | 51 | 50 | - | 48 | 47 | 46 | 45 | 44 | - | - | 41 | 40 | 39 | 38 | 37 | - | - | - | 33 | | | | | | | | |
| | | | | | | | | | | | | | | | 32 | - | 30 | 29 | - | 27 | - | 25 | 24 | 23 | 22 | - | - | - | - | 17 | | | | | | | | |
| | | | | - | - | 14 | 13 | - | 11 | - | - | 8 | 7 | 6 | - | 4 | 3 | - | - | | | | | | | | | | | | | | | | | | | |
| MX123 CONN ASSY 73 CKT BLK OPT9 KEY A/31 | 345663533 | C-HSG-A9 | G-CAP-9-P | TPA-A9 | RS | LS | MAL | CPA | MSEAL | RSEAL | 72 | 71 | 70 | - | 68 | 67 | 66 | 65 | 64 | - | - | - | - | 59 | - | - | - | - | - | SALEABLE | | 345650003 | | | | | | |
| | | | | | | | | | | | - | - | 50 | - | 48 | 47 | 46 | 45 | - | - | - | - | 40 | 39 | 38 | 37 | - | - | - | | | | - | | | | | |
| | | | | | | | | | | | | | | | - | 31 | 30 | 29 | - | 27 | - | 25 | 24 | 23 | 22 | 21 | 20 | - | - | | | | - | | | | | |
| | | | | - | 15 | 14 | 13 | - | 11 | - | 9 | 8 | 7 | 6 | 5 | 4 | - | - | - | | | | | | | | | | | | | | | | | | | |
| MX123 CONN ASSY 73 CKT BLK OPT9 KEY A/30 | 345663543 | C-HSG-A9 | G-CAP-9-P | TPA-A9 | RS | LS | MAL | CPA | MSEAL | RSEAL | - | 71 | - | 69 | 68 | 67 | - | 65 | 64 | - | - | 61 | 60 | - | 58 | - | - | - | 54 | - | SALEABLE | | 345650003 | | | | | |
| | | | | | | | | | | | - | - | 50 | 49 | 48 | 47 | - | 45 | - | 43 | - | 41 | - | - | 38 | 37 | 36 | 35 | - | - | | | | | | | | |
| | | | | | | | | | | | | | | | 32 | 31 | - | 29 | 28 | 27 | - | - | 24 | 23 | - | - | 20 | 19 | 18 | 17 | | | | | | | | |
| | | | | 16 | - | - | 13 | 12 | 11 | - | - | 8 | 7 | - | 5 | 4 | 3 | 2 | 1 | | | | | | | | | | | | | | | | | | | |
| MX123 CONN ASSY 73 CKT BLU OPT9 KEY C/60 | 345663553 | C-HSG-C9 | G-CAP-9-P | TPA-C9 | RS | LS | MAL | CPA | MSEAL | RSEAL | - | - | - | - | - | - | - | - | 64 | - | - | - | 60 | - | - | - | - | - | SALEABLE | | 345650003 | | | | | | | |
| | | | | | | | | | | | 52 | - | - | - | - | 47 | - | - | - | - | - | - | - | - | 37 | - | - | - | | | | - | | | | | | |
| | | | | | | | | | | | | | | | 32 | - | - | - | - | - | - | - | 24 | 23 | - | 21 | - | - | | | | - | - | | | | | |
| | | | | - | - | - | 13 | 12 | - | - | - | 8 | - | - | - | 4 | - | - | - | | | | | | | | | | | | | | | | | | | |

| ASSEMBLY DESCRIPTION | ASSEMBLY PART NUMBER | CONNECTOR HOUSING | GROMMET CAP | TPA | RIGHT SLIDE | LEFT SLIDE | MATE ASSIST LEVER | CPA | MAT SEAL | RING SEAL | BLOCKED TERMINALS | | | | | | | | | | | | | | | | | | STATUS | COMMENTS | INTEGRAL COMPONENTS SOLD SEPARATELY |
|--|----------------------|-------------------|-------------|--------|-------------|------------|-------------------|-----|----------|-----------|--|----|----|----|----|----|----|----|----|----|----|----|----|----|----|----|----|----|--------|----------|-------------------------------------|
| | | | | | | | | | | | CAVITY WITH A NUMBER INDICATES BLOCKED TERMINAL POSITION | | | | | | | | | | | | | | | | | | | | DRESS COVER |
| | | | | | | | | | | | CAVITY WITHOUT A NUMBER INDICATES OPEN TERMINAL POSITION | | | | | | | | | | | | | | | | | | | | |
| MX123 CONN ASSY 73 CKT BLU OPT9 KEY C/37 | 345663563 | C-HSG-C9 | G-CAP-9-P | TPA-C9 | RS | LS | MAL | CPA | MSEAL | RSEAL | - | 71 | - | 69 | - | - | - | 65 | 64 | - | - | 61 | 60 | - | 58 | - | 56 | 55 | 54 | - | |
| | | | | | | | | | | | - | - | 50 | 49 | - | - | - | 45 | - | 43 | - | 41 | - | - | - | 37 | 36 | 35 | - | - | |
| | | | | | | | | | | | | | | | - | 31 | - | 29 | 28 | - | - | - | 24 | 23 | - | - | 20 | 19 | 18 | 17 | |
| | | | | | | | | | | | - | 16 | - | - | 13 | 12 | 11 | - | - | 8 | 7 | - | - | - | 3 | 2 | 1 | | | | |
| MX123 CONN ASSY 73 CKT BLU OPT9 KEY C/41 | 345663573 | C-HSG-C9 | G-CAP-9-P | TPA-C9 | RS | LS | MAL | CPA | MSEAL | RSEAL | 72 | 71 | - | - | - | 67 | 66 | 65 | 64 | - | - | - | 60 | 59 | - | - | - | - | - | - | |
| | | | | | | | | | | | - | - | - | - | - | - | 46 | 45 | - | - | - | - | 40 | 39 | 38 | - | - | 35 | - | 33 | |
| | | | | | | | | | | | | | | | - | 31 | 30 | - | - | - | - | 25 | 24 | 23 | 22 | 21 | 20 | - | - | 17 | |
| | | | | | | | | | | | - | - | - | - | - | - | - | - | 9 | 8 | 7 | 6 | 5 | 4 | - | 2 | 1 | | | | |
| MX123 CONN ASSY 73 CKT BLK OPT9 KEY A/38 | 345663583 | C-HSG-A9 | G-CAP-9-P | TPA-A9 | RS | LS | MAL | CPA | MSEAL | RSEAL | 72 | 71 | - | - | 68 | 67 | 66 | 65 | 64 | - | - | - | 60 | 59 | - | - | - | - | - | - | |
| | | | | | | | | | | | - | - | - | - | 48 | 47 | 46 | 45 | - | - | - | - | 40 | 39 | 38 | - | - | 35 | - | 33 | |
| | | | | | | | | | | | | | | | - | 31 | 30 | - | - | - | - | 25 | 24 | 23 | 22 | 21 | 20 | - | - | 17 | |
| | | | | | | | | | | | - | - | - | - | - | - | - | - | 9 | 8 | 7 | 6 | 5 | 4 | - | 2 | 1 | | | | |
| MX123 CONN ASSY 73 CKT BLK OPT0 KEY A/36 | 345663593 | C-HSG-A0 | G-CAP-0-P | TPA-A0 | RS | LS | MAL | CPA | MSEAL | RSEAL | 72 | - | 70 | - | 68 | 67 | 66 | 65 | - | - | 62 | 61 | - | 59 | - | - | - | - | - | - | |
| | | | | | | | | | | | - | - | 50 | - | 48 | 47 | 46 | - | - | - | - | 40 | 39 | 38 | - | - | - | - | - | | |
| | | | | | | | | | | | | | | | - | 31 | - | 29 | - | 27 | - | 25 | 24 | 23 | 22 | 21 | 20 | - | - | 17 | |
| | | | | | | | | | | | - | - | 14 | 13 | - | 11 | - | 9 | 8 | 7 | 6 | 5 | 4 | - | 2 | 1 | | | | | |
| MX123 CONN ASSY 73 CKT GRY OPT0 KEY B/52 | 345663603 | C-HSG-B0 | G-CAP-0-P | TPA-B0 | RS | LS | MAL | CPA | MSEAL | RSEAL | 72 | 71 | 70 | 69 | - | 67 | 66 | 65 | - | 63 | 62 | 61 | 60 | - | 58 | - | 56 | - | 54 | - | |
| | | | | | | | | | | | 52 | 51 | 50 | - | - | 47 | - | 45 | 44 | 43 | 42 | 41 | 40 | - | 38 | - | 36 | - | 34 | - | |
| | | | | | | | | | | | | | | | - | 31 | 30 | - | 28 | 27 | 26 | 25 | 24 | - | 22 | - | 20 | 19 | - | 17 | |
| | | | | | | | | | | | 16 | 15 | 14 | 13 | 12 | - | - | 9 | 8 | - | 6 | 5 | 4 | 3 | 2 | 1 | | | | | |
| MX123 CONN ASSY 73 CKT GRY OPT0 KEY B/20 | 345663613 | C-HSG-B0 | G-CAP-0-P | TPA-B0 | RS | LS | MAL | CPA | MSEAL | RSEAL | 72 | 71 | 70 | 69 | - | - | 66 | 65 | - | - | 62 | 61 | 60 | - | 58 | 57 | 56 | 55 | 54 | 53 | |
| | | | | | | | | | | | 52 | 51 | 50 | 49 | 48 | 47 | - | - | 44 | - | 42 | 41 | 40 | - | 38 | 37 | 36 | 35 | 34 | 33 | |
| | | | | | | | | | | | | | | | - | 31 | - | - | - | - | 26 | 25 | 24 | 23 | 22 | 21 | 20 | 19 | 18 | 17 | |
| | | | | | | | | | | | 16 | 15 | 14 | 13 | 12 | 11 | - | 9 | 8 | 7 | - | - | - | - | 2 | 1 | | | | | |
| MX123 CONN ASSY 73 CKT BLK OPT0 KEY A/40 | 345663623 | C-HSG-A0 | G-CAP-0-P | TPA-A0 | RS | LS | MAL | CPA | MSEAL | RSEAL | - | 71 | - | - | 68 | 67 | 66 | 65 | 64 | - | - | - | - | - | - | - | - | - | - | | |
| | | | | | | | | | | | - | - | 50 | - | 48 | 47 | 46 | 45 | - | - | - | - | 40 | 39 | 38 | - | - | 35 | - | 33 | |
| | | | | | | | | | | | | | | | - | 31 | 30 | - | - | - | - | 25 | 24 | 23 | 22 | 21 | 20 | - | - | 17 | |
| | | | | | | | | | | | - | - | 14 | - | - | - | - | 9 | - | 7 | 6 | 5 | 4 | - | 2 | 1 | | | | | |
| MX123 CONN ASSY 73 CKT BLU OPT0 KEY C/42 | 345663633 | C-HSG-C0 | G-CAP-0-P | TPA-C0 | RS | LS | MAL | CPA | MSEAL | RSEAL | - | 71 | - | 69 | - | - | - | 65 | 64 | - | - | 61 | 60 | - | 58 | - | 56 | 55 | 54 | - | |
| | | | | | | | | | | | - | - | 50 | 49 | - | - | - | 45 | - | 43 | 42 | 41 | - | - | - | - | - | 35 | - | - | |
| | | | | | | | | | | | | | | | - | 31 | - | 29 | 28 | 27 | - | - | - | - | - | - | 20 | 19 | 18 | 17 | |
| | | | | | | | | | | | 16 | - | - | 13 | 12 | 11 | - | - | - | - | - | - | - | 3 | - | 1 | | | | | |
| MX123 CONN ASSY 73 CKT GRY OPT0 KEY B/38 | 345663643 | C-HSG-B0 | G-CAP-0-P | TPA-B0 | RS | LS | MAL | CPA | MSEAL | RSEAL | - | - | - | 69 | - | - | - | 65 | - | - | 62 | 61 | 60 | - | 58 | 57 | 56 | 55 | 54 | - | |
| | | | | | | | | | | | - | - | - | 49 | - | - | - | 45 | 44 | 43 | 42 | 41 | 40 | - | 38 | 37 | 36 | 35 | - | - | |
| | | | | | | | | | | | | | | | - | - | - | - | - | - | - | - | 23 | 22 | 21 | 20 | 19 | 18 | - | | |
| | | | | | | | | | | | - | - | - | - | 12 | 11 | - | 9 | - | 7 | 6 | 5 | 4 | 3 | - | - | | | | | |
| MX123 CONN ASSY 73 CKT GRY OPT0 KEY B/44 | 345663653 | C-HSG-B0 | G-CAP-0-P | TPA-B0 | RS | LS | MAL | CPA | MSEAL | RSEAL | - | - | - | - | - | 67 | - | - | - | - | 62 | 61 | 60 | - | 58 | 57 | 56 | 55 | 54 | - | |
| | | | | | | | | | | | - | - | - | - | - | - | - | - | - | - | 42 | 41 | 40 | - | 38 | 37 | 36 | 35 | - | - | |
| | | | | | | | | | | | | | | | - | 31 | - | - | - | - | - | - | - | 23 | 22 | 21 | 20 | 19 | 18 | - | |
| | | | | | | | | | | | - | 15 | - | - | - | - | - | 9 | - | 7 | 6 | 5 | 4 | - | - | - | | | | | |
| MX123 CONN ASSY 73 CKT BLK OPT0 KEY A/41 | 345663663 | C-HSG-A0 | G-CAP-0-P | TPA-A0 | RS | LS | MAL | CPA | MSEAL | RSEAL | - | 71 | - | - | 68 | 67 | 66 | 65 | 64 | - | - | - | - | - | - | - | - | - | - | | |
| | | | | | | | | | | | - | - | 50 | - | 48 | 47 | 46 | 45 | - | - | - | - | 40 | 39 | 38 | - | - | 35 | - | 33 | |
| | | | | | | | | | | | | | | | - | 31 | 30 | - | - | - | - | 25 | 24 | 23 | 22 | 21 | 20 | - | - | 17 | |
| | | | | | | | | | | | - | - | 14 | - | - | - | - | 9 | 8 | - | - | 5 | 4 | - | 2 | 1 | | | | | |
| MX123 CONN ASSY 73 CKT BLU OPT9 KEY C/54 | 345663673 | C-HSG-C9 | G-CAP-9-P | TPA-C9 | RS | LS | MAL | CPA | MSEAL | RSEAL | 72 | - | - | - | - | - | 66 | - | 64 | - | - | - | 60 | - | - | - | - | - | - | | |
| | | | | | | | | | | | 52 | - | - | - | - | 47 | 46 | - | - | - | - | - | - | - | 37 | - | - | - | - | | |
| | | | | | | | | | | | | | | | 32 | - | - | - | - | - | - | 25 | 24 | 23 | - | 21 | - | - | - | - | |
| | | | | | | | | | | | - | - | - | 13 | 12 | 11 | 10 | - | 8 | - | - | - | 4 | - | - | - | | | | | |

| ASSEMBLY DESCRIPTION | ASSEMBLY PART NUMBER | CONNECTOR HOUSING | GROMMET CAP | TPA | RIGHT SLIDE | LEFT SLIDE | MATE ASSIST LEVER | CPA | MAT SEAL | RING SEAL | BLOCKED TERMINALS | | | | | | | | | | | | | | | | | | STATUS | COMMENTS | INTEGRAL COMPONENTS SOLD SEPARATELY | | |
|--|----------------------|-------------------|-------------|--------|-------------|------------|-------------------|-----|----------|-----------|--|----|----|----|----|----|----|----|----|----|----|----|----|----|----|----|----------|----|-----------|----------|-------------------------------------|----|----|
| | | | | | | | | | | | CAVITY WITH A NUMBER INDICATES BLOCKED TERMINAL POSITION | | | | | | | | | | | | | | | | | | | | DRESS COVER | | |
| | | | | | | | | | | | CAVITY WITHOUT A NUMBER INDICATES OPEN TERMINAL POSITION | | | | | | | | | | | | | | | | | | | | | | |
| MX123 CONN ASSY 73 CKT BLU OPTO KEY C/37 | 345663693 | C-HSG-C0 | G-CAP-0-P | TPA-C0 | RS | LS | MAL | CPA | MSEAL | RSEAL | - | 71 | - | 69 | - | - | - | 65 | 64 | - | - | 61 | 60 | - | 58 | - | 56 | 55 | 54 | - | | | |
| | | | | | | | | | | | - | - | 50 | 49 | - | - | - | 45 | - | 43 | - | 41 | - | - | 37 | 36 | 35 | - | - | | | | |
| | | | | | | | | | | | | | | | - | 31 | - | 29 | 28 | - | - | - | 24 | 23 | - | - | 20 | 19 | 18 | 17 | | | |
| | | | | | | | | | | | 16 | - | - | 13 | 12 | 11 | - | - | 8 | 7 | - | - | - | 3 | 2 | 1 | SALEABLE | | 345650003 | | | | |
| MX123 CONN ASSY 73 CKT BLK OPTO KEY A/55 | 345663703 | C-HSG-A0 | G-CAP-0-P | TPA-A0 | RS | LS | MAL | CPA | MSEAL | RSEAL | 72 | 71 | 70 | 69 | - | - | - | - | 64 | 63 | 62 | 61 | 60 | - | 58 | 57 | | | | 56 | - | 54 | - |
| | | | | | | | | | | | 52 | 51 | 50 | - | - | - | 46 | 45 | - | 43 | 42 | 41 | 40 | - | 38 | 37 | | | | 36 | - | 34 | - |
| | | | | | | | | | | | | | | | 32 | 31 | 30 | - | - | 27 | 26 | 25 | 24 | - | 22 | 21 | 20 | 19 | 18 | 17 | | | |
| | | | | | | | | | | | 16 | 15 | 14 | 13 | 12 | 11 | 10 | 9 | 8 | - | 6 | 5 | 4 | 3 | 2 | 1 | SALEABLE | | 345650003 | | | | |
| MX123 CONN ASSY 73 CKT BLU OPTO KEY C/36 | 345663713 | C-HSG-C0 | G-CAP-0-P | TPA-C0 | RS | LS | MAL | CPA | MSEAL | RSEAL | - | 71 | - | 69 | - | - | - | 65 | 64 | - | - | 61 | 60 | - | 58 | - | | | | 56 | 55 | 54 | - |
| | | | | | | | | | | | - | - | 50 | 49 | - | - | - | 45 | - | 43 | - | 41 | - | - | 38 | 37 | | | | 36 | 35 | - | - |
| | | | | | | | | | | | | | | | - | 31 | - | 29 | 28 | - | - | - | 24 | 23 | - | - | 20 | 19 | 18 | 17 | | | |
| | | | | | | | | | | | 16 | - | - | 13 | 12 | 11 | - | - | 8 | 7 | - | - | - | 3 | 2 | 1 | SALEABLE | | 345650003 | | | | |
| MX123 CONN ASSY 73 CKT BLK OPTO KEY A/38 | 345663723 | C-HSG-A0 | G-CAP-0-P | TPA-A0 | RS | LS | MAL | CPA | MSEAL | RSEAL | 72 | 71 | - | - | 68 | 67 | 66 | 65 | 64 | - | - | - | 60 | 59 | - | - | | | | - | - | - | - |
| | | | | | | | | | | | - | - | - | - | 48 | 47 | 46 | 45 | - | - | - | - | 40 | 39 | 38 | - | | | | - | 35 | - | 33 |
| | | | | | | | | | | | | | | | - | 31 | 30 | - | - | - | - | 25 | 24 | 23 | 22 | 21 | 20 | - | - | 17 | | | |
| | | | | | | | | | | | - | - | - | - | - | - | - | 9 | 8 | 7 | 6 | 5 | 4 | - | 2 | 1 | SALEABLE | | 345650003 | | | | |
| MX123 CONN ASSY 73 CKT GRY OPTO KEY B/50 | 345663733 | C-HSG-B0 | G-CAP-0-P | TPA-B0 | RS | LS | MAL | CPA | MSEAL | RSEAL | - | - | - | 69 | - | - | - | 65 | 64 | 63 | - | - | - | - | - | - | | | | - | - | - | |
| | | | | | | | | | | | - | - | - | 49 | - | - | - | 45 | 44 | 43 | - | - | - | - | - | - | | | | - | - | - | |
| | | | | | | | | | | | | | | | - | - | - | - | - | - | - | - | - | 22 | 21 | 20 | 19 | 18 | 17 | | | | |
| | | | | | | | | | | | - | - | - | - | 12 | 11 | - | - | - | 7 | 6 | 5 | 4 | 3 | 2 | 1 | SALEABLE | | 345650003 | | | | |
| MX123 CONN ASSY 73 CKT BLU OPTO KEY C/36 | 345663743 | C-HSG-C0 | G-CAP-0-P | TPA-C0 | RS | LS | MAL | CPA | MSEAL | RSEAL | - | 71 | - | 69 | - | 67 | - | 65 | 64 | - | - | 61 | 60 | - | 58 | - | | | | 56 | 55 | 54 | - |
| | | | | | | | | | | | - | - | 50 | 49 | - | - | - | 45 | - | 43 | - | 41 | - | - | 37 | 36 | | | | 35 | - | - | |
| | | | | | | | | | | | | | | | - | 31 | - | 29 | 28 | - | - | - | 24 | 23 | - | - | 20 | 19 | 18 | 17 | | | |
| | | | | | | | | | | | 16 | - | - | 13 | 12 | 11 | - | - | 8 | 7 | - | - | - | 3 | 2 | 1 | SALEABLE | | 345650003 | | | | |
| MX123 CONN ASSY 73 CKT BLU OPTO KEY C/35 | 345663753 | C-HSG-C0 | G-CAP-0-P | TPA-C0 | RS | LS | MAL | CPA | MSEAL | RSEAL | - | 71 | - | 69 | - | 67 | - | 65 | 64 | - | - | 61 | 60 | - | 58 | - | | | | 56 | 55 | 54 | - |
| | | | | | | | | | | | - | - | 50 | 49 | - | - | - | 45 | - | 43 | - | 41 | - | - | 38 | 37 | | | | 36 | 35 | - | - |
| | | | | | | | | | | | | | | | - | 31 | - | 29 | 28 | - | - | - | 24 | 23 | - | - | 20 | 19 | 18 | 17 | | | |
| | | | | | | | | | | | 16 | - | - | 13 | 12 | 11 | - | - | 8 | 7 | - | - | - | 3 | 2 | 1 | SALEABLE | | 345650003 | | | | |
| MX123 CONN ASSY 73 CKT BLU OPTO KEY C/37 | 345663763 | C-HSG-C0 | G-CAP-0-P | TPA-C0 | RS | LS | MAL | CPA | MSEAL | RSEAL | - | 71 | - | 69 | - | 67 | - | 65 | 64 | - | - | 61 | 60 | - | 58 | - | | | | - | - | 54 | - |
| | | | | | | | | | | | - | - | 50 | 49 | - | - | - | 45 | - | 43 | - | 41 | - | - | 38 | 37 | | | | 36 | 35 | - | - |
| | | | | | | | | | | | | | | | - | 31 | - | 29 | 28 | - | - | - | 24 | 23 | - | - | 20 | 19 | 18 | 17 | | | |
| | | | | | | | | | | | 16 | - | - | 13 | 12 | 11 | - | - | 8 | 7 | - | - | - | 3 | 2 | 1 | SALEABLE | | 345650003 | | | | |
| MX123 CONN ASSY 73 CKT BLK OPTO KEY A/31 | 345663773 | C-HSG-A0 | G-CAP-0-P | TPA-A0 | RS | LS | MAL | CPA | MSEAL | RSEAL | 72 | 71 | - | - | 68 | 67 | 66 | 65 | 64 | - | 62 | 61 | 60 | 59 | - | 57 | | | | - | - | - | - |
| | | | | | | | | | | | - | - | - | - | 48 | 47 | 46 | 45 | - | - | - | - | 40 | - | 38 | 37 | | | | - | 35 | - | 33 |
| | | | | | | | | | | | | | | | - | 31 | 30 | 29 | - | 27 | - | 25 | 24 | 23 | 22 | 21 | 20 | - | - | 17 | | | |
| | | | | | | | | | | | - | - | - | 13 | - | 11 | - | 9 | 8 | 7 | 6 | 5 | 4 | - | 2 | 1 | SALEABLE | | 345650003 | | | | |
| MX123 CONN ASSY 73 CKT BLK OPTO KEY A/34 | 345663783 | C-HSG-A0 | G-CAP-0-P | TPA-A0 | RS | LS | MAL | CPA | MSEAL | RSEAL | 72 | 71 | - | - | 68 | 67 | 66 | 65 | 64 | - | 62 | 61 | 60 | 59 | - | 57 | | | | - | - | - | - |
| | | | | | | | | | | | - | - | - | - | 48 | 47 | 46 | 45 | - | - | - | - | 40 | - | 38 | 37 | | | | - | 35 | - | 33 |
| | | | | | | | | | | | | | | | - | 31 | 30 | 29 | - | 27 | - | 25 | 24 | 23 | 22 | 21 | 20 | - | - | - | | | |
| | | | | | | | | | | | - | - | - | 13 | - | 11 | - | 9 | 8 | 7 | 6 | 5 | 4 | - | - | - | SALEABLE | | 345650003 | | | | |
| MX123 CONN ASSY 73 CKT BLK OPTO KEY A/38 | 345663793 | C-HSG-A0 | G-CAP-0-P | TPA-A0 | RS | LS | MAL | CPA | MSEAL | RSEAL | 72 | - | - | 69 | 68 | 67 | 66 | 65 | - | - | 62 | 61 | - | 59 | - | - | | | | - | - | - | |
| | | | | | | | | | | | - | - | 50 | - | 48 | 47 | 46 | - | - | - | - | 40 | 39 | 38 | - | - | | | | 35 | - | 33 | |
| | | | | | | | | | | | | | | | - | 31 | - | 29 | - | 27 | - | 25 | 24 | - | 22 | - | 20 | - | - | 17 | | | |
| | | | | | | | | | | | - | - | 14 | 13 | - | 11 | - | 9 | - | 7 | 6 | - | 4 | - | 2 | 1 | SALEABLE | | 345650003 | | | | |
| MX123 CONN ASSY 73 CKT BLK OPTO KEY A/32 | 345663803 | C-HSG-A0 | G-CAP-0-P | TPA-A0 | RS | LS | MAL | CPA | MSEAL | RSEAL | - | - | 70 | - | - | - | - | 65 | - | - | - | 61 | 60 | - | 58 | 57 | | | | - | 55 | 54 | - |
| | | | | | | | | | | | 52 | 51 | - | 49 | - | 47 | - | 45 | - | - | - | 41 | 40 | - | 38 | 37 | | | | - | - | 34 | - |
| | | | | | | | | | | | | | | | - | 31 | - | - | 28 | - | 26 | 25 | 24 | - | 22 | 21 | - | 19 | 18 | - | | | |
| | | | | | | | | | | | 16 | 15 | - | - | - | - | - | - | - | 7 | 6 | - | - | - | - | - | SALEABLE | | 345650003 | | | | |

| ASSEMBLY DESCRIPTION | ASSEMBLY PART NUMBER | CONNECTOR HOUSING | GROMMET CAP | TPA | RIGHT SLIDE | LEFT SLIDE | MATE ASSIST LEVER | CPA | MAT SEAL | RING SEAL | BLOCKED TERMINALS | | | | | | | | | | | | | | | | | | STATUS | COMMENTS | INTEGRAL COMPONENTS SOLD SEPARATELY | | | | | | |
|--|----------------------|-------------------|-------------|--------|-------------|------------|-------------------|-----|----------|-----------|--|----|----|----|----|----|----|----|----|----|----|----|----|----|----|----|----|----|--------|----------|-------------------------------------|----|----|----|----|----|----|
| | | | | | | | | | | | CAVITY WITH A NUMBER INDICATES BLOCKED TERMINAL POSITION | | | | | | | | | | | | | | | | | | | | DRESS COVER | | | | | | |
| | | | | | | | | | | | CAVITY WITHOUT A NUMBER INDICATES OPEN TERMINAL POSITION | | | | | | | | | | | | | | | | | | | | | | | | | | |
| MX123 CONN ASSY 73 CKT BLU OPTO KEY C/42 | 345663813 | C-HSG-C0 | G-CAP-0-P | TPA-C0 | RS | LS | MAL | CPA | MSEAL | RSEAL | - | 71 | - | 69 | - | 67 | - | 65 | 64 | - | - | 61 | 60 | - | 58 | - | 56 | 55 | 54 | - | | | | | | | |
| | | | | | | | | | | | - | - | 50 | 49 | - | - | - | 45 | - | 43 | - | 41 | - | - | - | - | - | 35 | - | - | | | | | | | |
| | | | | | | | | | | | | | | | | | | | | | | - | 31 | - | 29 | 28 | 27 | - | - | - | 23 | - | - | - | 19 | 18 | 17 |
| | | | | | | | | | | | | | | | | | | | | | | 16 | - | - | - | 12 | 11 | - | - | - | 7 | - | - | - | 3 | - | 1 |
| MX123 CONN ASSY 73 CKT BLK OPTO KEY A/30 | 345663823 | C-HSG-A0 | G-CAP-0-P | TPA-A0 | RS | LS | MAL | CPA | MSEAL | RSEAL | 72 | 71 | - | - | 68 | 67 | 66 | 65 | 64 | - | 62 | - | 60 | 59 | - | - | - | - | - | - | | | | | | | |
| | | | | | | | | | | | - | - | 50 | - | 48 | 47 | 46 | 45 | - | - | 42 | - | 40 | 39 | 38 | - | - | 35 | - | 33 | | | | | | | |
| | | | | | | | | | | | | | | | | | | | | | | - | 31 | 30 | 29 | 28 | - | - | 25 | 24 | 23 | 22 | 21 | 20 | - | - | 17 |
| | | | | | | | | | | | | | | | | | | | | | | - | - | 14 | 13 | 12 | - | - | 9 | 8 | 7 | 6 | 5 | 4 | - | 2 | 1 |
| MX123 CONN ASSY 73 CKT BLK OPTO KEY A/37 | 345663833 | C-HSG-A0 | G-CAP-0-P | TPA-A0 | RS | LS | MAL | CPA | MSEAL | RSEAL | 72 | 71 | - | - | 68 | 67 | 66 | 65 | 64 | - | - | - | 60 | 59 | 58 | - | - | - | - | - | | | | | | | |
| | | | | | | | | | | | - | - | 50 | - | 48 | 47 | 46 | 45 | - | - | - | - | 40 | 39 | 38 | - | - | 35 | - | 33 | | | | | | | |
| | | | | | | | | | | | | | | | | | | | | | | - | 31 | 30 | - | - | - | 25 | 24 | - | 22 | 21 | 20 | - | - | 17 | |
| | | | | | | | | | | | | | | | | | | | | | | - | - | 14 | - | - | - | 9 | - | 7 | 6 | 5 | 4 | - | 2 | 1 | |
| MX123 CONN ASSY 73 CKT BLK OPTO KEY A/51 | 345663843 | C-HSG-A0 | G-CAP-0-P | TPA-A0 | RS | LS | MAL | CPA | MSEAL | RSEAL | - | - | - | - | - | - | - | 65 | - | - | - | 61 | - | - | 58 | 57 | 56 | - | - | - | | | | | | | |
| | | | | | | | | | | | - | 51 | 50 | - | - | 47 | 46 | 45 | - | - | - | - | - | - | 38 | 37 | 36 | - | - | - | | | | | | | |
| | | | | | | | | | | | | | | | | | | | | | | - | 31 | 30 | - | - | - | 26 | - | - | - | 22 | 21 | 20 | - | - | - |
| | | | | | | | | | | | | | | | | | | | | | | - | 15 | 14 | - | - | - | 10 | - | - | - | - | - | - | - | - | - |
| MX123 CONN ASSY 73 CKT BLK OPTO KEY A/53 | 345663853 | C-HSG-A0 | G-CAP-0-P | TPA-A0 | RS | LS | MAL | CPA | MSEAL | RSEAL | - | - | - | - | - | - | - | - | - | - | - | 61 | - | - | 58 | 57 | 56 | - | - | - | | | | | | | |
| | | | | | | | | | | | - | 51 | 50 | - | - | 47 | 46 | - | - | - | - | - | - | 38 | 37 | 36 | - | - | - | | | | | | | | |
| | | | | | | | | | | | | | | | | | | | | | | - | 31 | 30 | - | - | - | 26 | - | - | - | 22 | 21 | 20 | - | - | - |
| | | | | | | | | | | | | | | | | | | | | | | - | 15 | 14 | - | - | - | 10 | - | - | - | - | - | - | - | - | - |
| MX123 CONN ASSY 73 CKT GRY OPTO KEY B/51 | 345663863 | C-HSG-B0 | G-CAP-0-P | TPA-B0 | RS | LS | MAL | CPA | MSEAL | RSEAL | - | - | - | 69 | - | - | - | 65 | 64 | 63 | - | - | - | - | - | - | - | - | - | | | | | | | | |
| | | | | | | | | | | | - | - | - | 49 | - | - | - | 45 | 44 | 43 | - | - | - | - | - | - | - | - | - | | | | | | | | |
| | | | | | | | | | | | | | | | | | | | | | | - | - | - | - | - | - | - | - | 23 | 22 | 21 | 20 | 19 | 18 | - | |
| | | | | | | | | | | | | | | | | | | | | | | - | - | - | - | 12 | 11 | - | 9 | - | 7 | 6 | 5 | 4 | 3 | - | - |
| MX123 CONN ASSY 73 CKT GRY OPTO KEY B/34 | 345663873 | C-HSG-B0 | G-CAP-0-P | TPA-B0 | RS | LS | MAL | CPA | MSEAL | RSEAL | 72 | 71 | 70 | 69 | 68 | 67 | 66 | 65 | 64 | - | 62 | 61 | 60 | - | - | - | - | - | 54 | 53 | | | | | | | |
| | | | | | | | | | | | 52 | 51 | - | - | - | 47 | - | - | 44 | - | 42 | 41 | 40 | - | - | - | - | - | - | 33 | | | | | | | |
| | | | | | | | | | | | | | | | | | | | | | | 32 | 31 | 30 | - | 28 | - | 26 | 25 | 24 | - | - | - | 20 | 19 | - | 17 |
| | | | | | | | | | | | | | | | | | | | | | | - | - | - | - | 12 | 11 | 10 | 9 | 8 | - | - | - | - | - | 2 | 1 |
| MX123 CONN ASSY 73 CKT GRY OPTO KEY B/35 | 345663883 | C-HSG-B0 | G-CAP-0-P | TPA-B0 | RS | LS | MAL | CPA | MSEAL | RSEAL | 72 | 71 | 70 | 69 | 68 | - | - | 65 | 64 | 63 | 62 | 61 | 60 | - | - | - | - | - | 54 | - | | | | | | | |
| | | | | | | | | | | | 52 | 51 | - | - | - | 47 | 46 | - | 44 | 43 | 42 | 41 | 40 | - | - | - | - | - | - | - | | | | | | | |
| | | | | | | | | | | | | | | | | | | | | | | 32 | 31 | 30 | - | 28 | 27 | 26 | 25 | 24 | - | - | - | 20 | 19 | - | 17 |
| | | | | | | | | | | | | | | | | | | | | | | - | - | - | - | 12 | 11 | 10 | 9 | - | - | - | - | - | - | 2 | 1 |
| MX123 CONN ASSY 73 CKT BLU OPTO KEY C/34 | 345663893 | C-HSG-C0 | G-CAP-0-P | TPA-C0 | RS | LS | MAL | CPA | MSEAL | RSEAL | - | 71 | - | 69 | - | - | - | 65 | 64 | - | - | 61 | 60 | - | 58 | - | 56 | 55 | 54 | - | | | | | | | |
| | | | | | | | | | | | - | - | 50 | 49 | - | - | - | 45 | - | 43 | - | 41 | 40 | 39 | 38 | 37 | 36 | 35 | - | - | | | | | | | |
| | | | | | | | | | | | | | | | | | | | | | | - | 31 | - | 29 | 28 | - | - | - | 24 | 23 | - | - | 20 | 19 | 18 | 17 |
| | | | | | | | | | | | | | | | | | | | | | | 16 | - | - | 13 | 12 | 11 | - | - | 8 | 7 | - | - | - | 3 | 2 | 1 |
| MX123 CONN ASSY 73 CKT GRY OPTO KEY B/54 | 345663903 | C-HSG-B0 | G-CAP-0-P | TPA-B0 | RS | LS | MAL | CPA | MSEAL | RSEAL | 72 | 71 | 70 | 69 | 68 | 67 | 66 | - | 64 | 63 | 62 | 61 | 60 | - | 58 | - | 56 | - | 54 | - | | | | | | | |
| | | | | | | | | | | | 52 | 51 | 50 | - | - | 47 | - | 45 | - | 43 | 42 | 41 | 40 | - | 38 | - | 36 | - | 34 | - | | | | | | | |
| | | | | | | | | | | | | | | | | | | | | | | 32 | 31 | 30 | - | - | 27 | 26 | 25 | - | - | 22 | - | 20 | 19 | 18 | 17 |
| | | | | | | | | | | | | | | | | | | | | | | 16 | 15 | 14 | 13 | 12 | 11 | 10 | 9 | 8 | - | 6 | 5 | 4 | 3 | 2 | 1 |
| MX123 CONN ASSY 73 CKT BLK OPTO KEY A/39 | 345663913 | C-HSG-A0 | G-CAP-0-P | TPA-A0 | RS | LS | MAL | CPA | MSEAL | RSEAL | 72 | - | - | - | 68 | 67 | 66 | 65 | - | - | 62 | 61 | - | 59 | - | - | - | - | - | | | | | | | | |
| | | | | | | | | | | | - | - | 50 | - | 48 | 47 | 46 | - | - | - | - | - | 40 | 39 | 38 | - | - | 35 | - | 33 | | | | | | | |
| | | | | | | | | | | | | | | | | | | | | | | - | 31 | - | 29 | - | 27 | - | 25 | 24 | - | 22 | - | 20 | - | - | 17 |
| | | | | | | | | | | | | | | | | | | | | | | - | - | 14 | 13 | - | 11 | - | 9 | - | 7 | 6 | - | 4 | - | 2 | 1 |
| MX123 CONN ASSY 73 CKT GRY OPTO KEY B/36 | 345663923 | C-HSG-B0 | G-CAP-0-P | TPA-B0 | RS | LS | MAL | CPA | MSEAL | RSEAL | - | 71 | - | 69 | - | 67 | - | 65 | 64 | 63 | 62 | 61 | - | - | 58 | 57 | 56 | - | - | - | | | | | | | |
| | | | | | | | | | | | - | 51 | - | 49 | - | 47 | - | 45 | 44 | 43 | 42 | 41 | - | - | 38 | 37 | 36 | - | - | - | | | | | | | |
| | | | | | | | | | | | | | | | | | | | | | | - | - | - | - | - | - | - | - | - | - | 22 | 21 | 20 | - | - | 17 |
| | | | | | | | | | | | | | | | | | | | | | | - | 15 | 14 | 13 | 12 | 11 | - | - | - | - | 6 | 5 | 4 | 3 | 2 | 1 |

| ASSEMBLY DESCRIPTION | ASSEMBLY PART NUMBER | CONNECTOR HOUSING | GROMMET CAP | TPA | RIGHT SLIDE | LEFT SLIDE | MATE ASSIST LEVER | CPA | MAT SEAL | RING SEAL | BLOCKED TERMINALS | | | | | | | | | | | | | | | | | | STATUS | COMMENTS | INTEGRAL COMPONENTS SOLD SEPARATELY | | |
|--|----------------------|-------------------|-------------|--------|-------------|------------|-------------------|-----|----------|-----------|--|----|----|----|----|----|----|----|----|----|----|----|----|----|----|----|----|----|--------|----------|-------------------------------------|----|----|
| | | | | | | | | | | | CAVITY WITH A NUMBER INDICATES BLOCKED TERMINAL POSITION | | | | | | | | | | | | | | | | | | | | DRESS COVER | | |
| | | | | | | | | | | | CAVITY WITHOUT A NUMBER INDICATES OPEN TERMINAL POSITION | | | | | | | | | | | | | | | | | | | | | | |
| MX123 CONN ASSY 73 CKT BLK OPT0 KEY A/43 | 345664053 | C-HSG-A0 | G-CAP-0-P | TPA-A0 | RS | LS | MAL | CPA | MSEAL | RSEAL | - | 71 | 70 | - | 68 | - | - | - | 64 | - | 62 | 61 | - | 59 | 58 | - | - | 55 | 54 | - | | | |
| | | | | | | | | | | | 52 | 51 | 50 | - | 48 | - | - | 45 | - | - | - | 41 | - | 39 | 38 | - | - | - | 34 | - | | | |
| | | | | | | | | | | | | | | | | | | | | | | | | | | | | | 32 | - | - | - | - |
| MX123 CONN ASSY 73 CKT GRY OPT0 KEY B/24 | 345664063 | C-HSG-B0 | G-CAP-0-P | TPA-B0 | RS | LS | MAL | CPA | MSEAL | RSEAL | 72 | 71 | 70 | 69 | - | - | 66 | 65 | - | 63 | 62 | 61 | 60 | - | - | 57 | 56 | 55 | - | 53 | | | |
| | | | | | | | | | | | 52 | 51 | 50 | 49 | 48 | 47 | - | - | 44 | 43 | 42 | 41 | 40 | - | - | 37 | 36 | 35 | 34 | 33 | | | |
| | | | | | | | | | | | | | | | | | | | | | | | | | | | | | - | 31 | - | - | - |
| MX123 CONN ASSY 73 CKT BLK OPT0 KEY A/36 | 345664073 | C-HSG-A0 | G-CAP-0-P | TPA-A0 | RS | LS | MAL | CPA | MSEAL | RSEAL | - | 71 | - | 69 | 68 | 67 | - | 65 | 64 | - | - | 61 | 60 | - | 58 | - | - | - | 54 | - | | | |
| | | | | | | | | | | | - | - | 50 | 49 | 48 | 47 | - | 45 | - | 43 | - | 41 | - | - | 38 | - | - | 35 | - | - | | | |
| | | | | | | | | | | | | | | | | | | | | | | | | | | | | | - | 31 | - | 29 | 28 |
| MX123 CONN ASSY 73 CKT BLU OPT0 KEY C/42 | 345664083 | C-HSG-C0 | G-CAP-0-P | TPA-C0 | RS | LS | MAL | CPA | MSEAL | RSEAL | - | 71 | - | 69 | - | 67 | 66 | 65 | 64 | - | - | 61 | 60 | - | - | - | 56 | 55 | 54 | - | | | |
| | | | | | | | | | | | - | - | 50 | 49 | - | - | 46 | 45 | - | 43 | - | 41 | - | - | - | - | 35 | - | - | | | | |
| | | | | | | | | | | | | | | | | | | | | | | | | | | | | | - | 31 | - | 29 | 28 |
| MX123 CONN ASSY 73 CKT BLK OPT0 KEY A/37 | 345664093 | C-HSG-A0 | G-CAP-0-P | TPA-A0 | RS | LS | MAL | CPA | MSEAL | RSEAL | 72 | - | - | - | 68 | - | 66 | 65 | - | - | 62 | 61 | - | 59 | 58 | - | - | - | - | - | | | |
| | | | | | | | | | | | - | - | 50 | - | 48 | - | 46 | - | - | - | - | 40 | 39 | 38 | - | - | 35 | - | 33 | | | | |
| | | | | | | | | | | | | | | | | | | | | | | | | | | | | | - | 31 | - | 29 | - |
| MX123 CONN ASSY 73 CKT BLK OPT0 KEY A/29 | 345664103 | C-HSG-A0 | G-CAP-0-P | TPA-A0 | RS | LS | MAL | CPA | MSEAL | RSEAL | - | - | 70 | - | - | - | - | 65 | - | - | - | 61 | - | - | 58 | 57 | 56 | 55 | 54 | 53 | | | |
| | | | | | | | | | | | - | 51 | 50 | - | - | 47 | - | - | - | - | 41 | - | - | 38 | 37 | 36 | - | 34 | - | | | | |
| | | | | | | | | | | | | | | | | | | | | | | | | | | | | | - | 31 | 30 | - | 28 |
| MX123 CONN ASSY 73 CKT GRY OPT0 KEY B/19 | 345664113 | C-HSG-B0 | G-CAP-0-P | TPA-B0 | RS | LS | MAL | CPA | MSEAL | RSEAL | 72 | 71 | 70 | 69 | - | - | 66 | 65 | - | 63 | 62 | 61 | 60 | 59 | - | 57 | 56 | 55 | 54 | 53 | | | |
| | | | | | | | | | | | 52 | 51 | 50 | 49 | 48 | 47 | - | - | 44 | 43 | 42 | 41 | 40 | 39 | - | 37 | 36 | 35 | 34 | 33 | | | |
| | | | | | | | | | | | | | | | | | | | | | | | | | | | | | - | 31 | - | - | - |
| MX123 CONN ASSY 73 CKT BLK OPT9 KEY A/42 | 345664123 | C-HSG-A9 | G-CAP-9-P | TPA-A9 | RS | LS | MAL | CPA | MSEAL | RSEAL | - | 71 | 70 | - | 68 | - | - | - | 64 | - | 62 | 61 | - | 59 | 58 | - | - | 55 | 54 | - | | | |
| | | | | | | | | | | | 52 | 51 | 50 | - | 48 | - | - | 45 | - | - | - | 41 | - | 39 | 38 | - | - | - | 34 | - | | | |
| | | | | | | | | | | | | | | | | | | | | | | | | | | | | | 32 | - | - | - | - |
| MX123 CONN ASSY 73 CKT GRY OPT9 KEY B/25 | 345664133 | C-HSG-B9 | G-CAP-9-P | TPA-B9 | RS | LS | MAL | CPA | MSEAL | RSEAL | 72 | 71 | 70 | 69 | - | - | 66 | 65 | - | 63 | 62 | 61 | 60 | - | - | 57 | 56 | 55 | - | 53 | | | |
| | | | | | | | | | | | 52 | 51 | 50 | 49 | 48 | 47 | - | - | 44 | 43 | 42 | 41 | 40 | - | - | 37 | 36 | 35 | 34 | 33 | | | |
| | | | | | | | | | | | | | | | | | | | | | | | | | | | | | - | 31 | - | - | - |
| MX123 CONN ASSY 73 CKT GRY OPT0 KEY B/22 | 345664143 | C-HSG-B0 | G-CAP-0-P | TPA-B0 | RS | LS | MAL | CPA | MSEAL | RSEAL | 72 | 71 | 70 | 69 | - | - | 66 | 65 | - | 63 | 62 | 61 | 60 | - | - | 57 | 56 | 55 | - | 53 | | | |
| | | | | | | | | | | | 52 | 51 | 50 | 49 | 48 | 47 | - | - | 44 | 43 | 42 | 41 | 40 | - | - | 37 | 36 | 35 | 34 | 33 | | | |
| | | | | | | | | | | | | | | | | | | | | | | | | | | | | | - | 31 | - | - | - |
| MX123 CONN ASSY 73 CKT GRY OPT0 KEY B/37 | 345664153 | C-HSG-B0 | G-CAP-0-P | TPA-B0 | RS | LS | MAL | CPA | MSEAL | RSEAL | - | 71 | - | 69 | - | 67 | - | 65 | 64 | 63 | 62 | 61 | - | - | 58 | 57 | 56 | - | - | - | | | |
| | | | | | | | | | | | - | 51 | - | 49 | - | 47 | - | 45 | - | 43 | 42 | 41 | - | - | 38 | 37 | 36 | - | - | - | | | |
| | | | | | | | | | | | | | | | | | | | | | | | | | | | | | - | - | - | - | - |
| MX123 CONN ASSY 73 CKT GRY OPT0 KEY B/35 | 345664163 | C-HSG-B0 | G-CAP-0-P | TPA-B0 | RS | LS | MAL | CPA | MSEAL | RSEAL | - | 71 | - | 69 | - | 67 | - | 65 | 64 | 63 | 62 | 61 | - | - | 58 | 57 | 56 | - | - | - | | | |
| | | | | | | | | | | | - | 51 | - | 49 | - | 47 | - | 45 | 44 | 43 | 42 | 41 | - | - | 38 | 37 | 36 | - | - | - | | | |
| | | | | | | | | | | | | | | | | | | | | | | | | | | | | | - | - | - | - | - |

| ASSEMBLY DESCRIPTION | ASSEMBLY PART NUMBER | CONNECTOR HOUSING | GROMMET CAP | TPA | RIGHT SLIDE | LEFT SLIDE | MATE ASSIST LEVER | CPA | MAT SEAL | RING SEAL | BLOCKED TERMINALS | | | | | | | | | | | | | | | | STATUS | COMMENTS | INTEGRAL COMPONENTS SOLD SEPARATELY | | | | | | | | | | | | | |
|--|----------------------|-------------------|-------------|--------|-------------|------------|-------------------|-----|----------|-----------|--|----|----|----|----|----|----|----|----|----|----|----|----|----|----|----|--------|----------|-------------------------------------|----|----|----|----|----|----|----|----|----|----|----|----|----|
| | | | | | | | | | | | CAVITY WITH A NUMBER INDICATES BLOCKED TERMINAL POSITION | | | | | | | | | | | | | | | | | | DRESS COVER | | | | | | | | | | | | | |
| | | | | | | | | | | | CAVITY WITHOUT A NUMBER INDICATES OPEN TERMINAL POSITION | | | | | | | | | | | | | | | | | | | | | | | | | | | | | | | |
| MX123 CONN ASSY 73 CKT BLK OPTO KEY A/42 | 345664173 | C-HSG-A0 | G-CAP-0-P | TPA-A0 | RS | LS | MAL | CPA | MSEAL | RSEAL | - | - | - | - | 68 | 67 | 66 | 65 | - | - | 62 | 61 | - | - | - | 57 | - | - | - | - | | | | | | | | | | | | |
| | | | | | | | | | | | - | - | 50 | - | 48 | - | 46 | - | - | - | - | - | 40 | 39 | - | 37 | - | 35 | - | 33 | | | | | | | | | | | | |
| | | | | | | | | | | | | | | | | | | | | | | | | | | | - | - | 17 | | | | | | | | | | | | | |
| | | | | | | | | | | | | | | | | | | | | | | | | | | | - | - | 14 | 13 | - | 11 | - | - | - | 7 | 6 | - | 4 | - | 2 | 1 |
| MX123 CONN ASSY 73 CKT BLU OPTO KEY C/41 | 345664183 | C-HSG-C0 | G-CAP-0-P | TPA-C0 | RS | LS | MAL | CPA | MSEAL | RSEAL | - | 71 | - | 69 | - | 67 | - | 65 | 64 | - | - | 61 | 60 | - | - | - | 56 | 55 | 54 | - | | | | | | | | | | | | |
| | | | | | | | | | | | - | - | 50 | 49 | - | - | - | 45 | - | 43 | - | 41 | - | - | 38 | 37 | 36 | 35 | - | - | | | | | | | | | | | | |
| | | | | | | | | | | | | | | | | | | | | | | | | | | | - | - | 17 | | | | | | | | | | | | | |
| | | | | | | | | | | | | | | | | | | | | | | | | | | | 16 | - | - | - | 12 | 11 | - | - | 8 | - | - | - | - | 3 | 2 | - |
| MX123 CONN ASSY 73 CKT BLU OPTO KEY C/38 | 345664193 | C-HSG-C0 | G-CAP-0-P | TPA-C0 | RS | LS | MAL | CPA | MSEAL | RSEAL | 72 | - | 70 | - | 68 | 67 | 66 | - | - | 63 | 62 | - | - | 59 | - | 57 | - | - | - | 53 | | | | | | | | | | | | |
| | | | | | | | | | | | 52 | 51 | - | - | 48 | 47 | 46 | - | 44 | - | 42 | - | 40 | 39 | - | - | - | - | - | 34 | 33 | | | | | | | | | | | |
| | | | | | | | | | | | | | | | | | | | | | | | | | | | 32 | - | 30 | - | - | 27 | 26 | 25 | - | - | 22 | 21 | - | - | - | - |
| | | | | | | | | | | | | | | | | | | | | | | | | | | | - | 15 | 14 | - | - | - | 10 | 9 | - | - | 6 | 5 | 4 | - | - | - |
| MX123 CONN ASSY 73 CKT GRY OPTO KEY B/48 | 345664203 | C-HSG-B0 | G-CAP-0-P | TPA-B0 | RS | LS | MAL | CPA | MSEAL | RSEAL | 72 | 71 | 70 | 69 | 68 | 67 | 66 | 65 | - | 63 | 62 | 61 | 60 | - | 58 | - | 56 | - | 54 | - | | | | | | | | | | | | |
| | | | | | | | | | | | 52 | 51 | - | - | - | 47 | - | 45 | 44 | 43 | 42 | 41 | 40 | - | 38 | - | 36 | - | 34 | - | | | | | | | | | | | | |
| | | | | | | | | | | | | | | | | | | | | | | | | | | | - | 31 | 30 | - | 28 | 27 | 26 | 25 | - | - | 22 | - | 20 | 19 | - | 17 |
| | | | | | | | | | | | | | | | | | | | | | | | | | | | 16 | - | 14 | 13 | 12 | 11 | 10 | 9 | 8 | - | - | - | - | - | 2 | 1 |
| MX123 CONN ASSY 73 CKT BLK OPTO KEY A/36 | 345664213 | C-HSG-A0 | G-CAP-0-P | TPA-A0 | RS | LS | MAL | CPA | MSEAL | RSEAL | - | - | 70 | 69 | - | - | - | - | - | 63 | 62 | 61 | - | - | - | 57 | 56 | 55 | 54 | 53 | | | | | | | | | | | | |
| | | | | | | | | | | | 52 | 51 | - | 49 | - | - | - | - | 44 | 43 | 42 | 41 | - | - | - | 37 | 36 | - | 34 | 33 | | | | | | | | | | | | |
| | | | | | | | | | | | | | | | | | | | | | | | | | | | 32 | - | - | 29 | 28 | 27 | 26 | - | - | 23 | - | - | - | 19 | 18 | - |
| | | | | | | | | | | | | | | | | | | | | | | | | | | | 16 | 15 | - | 13 | 12 | 11 | 10 | - | 8 | - | - | - | - | 3 | - | - |
| MX123 CONN ASSY 73 CKT BLK OPTO KEY A/38 | 345664223 | C-HSG-A0 | G-CAP-0-P | TPA-A0 | RS | LS | MAL | CPA | MSEAL | RSEAL | - | - | 70 | 69 | - | - | - | - | - | 63 | 62 | 61 | - | - | 58 | 57 | 56 | 55 | 54 | 53 | | | | | | | | | | | | |
| | | | | | | | | | | | 52 | 51 | - | 49 | - | - | - | - | 44 | 43 | 42 | 41 | - | - | - | 37 | 36 | - | 34 | - | | | | | | | | | | | | |
| | | | | | | | | | | | | | | | | | | | | | | | | | | | 32 | - | - | 29 | 28 | 27 | 26 | - | - | - | - | - | 19 | 18 | - | |
| | | | | | | | | | | | | | | | | | | | | | | | | | | | 16 | 15 | - | 13 | 12 | 11 | 10 | - | - | - | - | - | - | 3 | - | - |
| MX123 CONN ASSY 73 CKT GRY OPTO KEY B/23 | 345664233 | C-HSG-B0 | G-CAP-0-P | TPA-B0 | RS | LS | MAL | CPA | MSEAL | RSEAL | 72 | 71 | 70 | - | 68 | 67 | 66 | - | - | - | 62 | 61 | 60 | 59 | 58 | 57 | 56 | 55 | 54 | 53 | | | | | | | | | | | | |
| | | | | | | | | | | | 52 | 51 | 50 | - | 48 | 47 | 46 | - | - | - | 42 | 41 | 40 | 39 | 38 | 37 | 36 | 35 | 34 | 33 | | | | | | | | | | | | |
| | | | | | | | | | | | | | | | | | | | | | | | | | | | 32 | 31 | 30 | 29 | 28 | 27 | 26 | 25 | 24 | - | - | - | - | - | 17 | |
| | | | | | | | | | | | | | | | | | | | | | | | | | | | 16 | 15 | 14 | 13 | - | - | 10 | - | 8 | - | - | - | - | - | 2 | 1 |
| MX123 CONN ASSY 73 CKT BLK OPTO KEY A/21 | 345664243 | C-HSG-A0 | G-CAP-0-P | TPA-A0 | RS | LS | MAL | CPA | MSEAL | RSEAL | 72 | 71 | 70 | 69 | 68 | 67 | 66 | 65 | 64 | 63 | 62 | - | 60 | 59 | - | - | - | 55 | 54 | 53 | | | | | | | | | | | | |
| | | | | | | | | | | | 52 | - | - | 49 | 48 | - | - | 45 | 44 | 43 | 42 | 41 | 40 | 39 | - | - | - | 35 | 34 | 33 | | | | | | | | | | | | |
| | | | | | | | | | | | | | | | | | | | | | | | | | | | 32 | - | - | 29 | 28 | 27 | - | 25 | 24 | 23 | - | - | - | 19 | 18 | 17 |
| | | | | | | | | | | | | | | | | | | | | | | | | | | | 16 | - | - | 13 | 12 | 11 | - | 9 | 8 | 7 | 6 | 5 | 4 | 3 | 2 | 1 |
| MX123 CONN ASSY 73 CKT BLK OPTO KEY A/23 | 345664253 | C-HSG-A0 | G-CAP-0-P | TPA-A0 | RS | LS | MAL | CPA | MSEAL | RSEAL | 72 | 71 | 70 | 69 | 68 | 67 | 66 | - | 64 | 63 | 62 | - | 60 | 59 | - | - | - | 55 | 54 | 53 | | | | | | | | | | | | |
| | | | | | | | | | | | 52 | - | - | 49 | 48 | - | - | - | 44 | 43 | 42 | 41 | 40 | 39 | - | - | - | 35 | 34 | 33 | | | | | | | | | | | | |
| | | | | | | | | | | | | | | | | | | | | | | | | | | | 32 | - | - | 29 | 28 | 27 | - | 25 | 24 | 23 | - | - | - | 19 | 18 | 17 |
| | | | | | | | | | | | | | | | | | | | | | | | | | | | 16 | - | - | 13 | 12 | 11 | - | 9 | 8 | 7 | 6 | 5 | 4 | 3 | 2 | 1 |
| MX123 CONN ASSY 73 CKT GRY OPTO KEY B/36 | 345664263 | C-HSG-B0 | G-CAP-0-P | TPA-B0 | RS | LS | MAL | CPA | MSEAL | RSEAL | - | - | - | - | - | 67 | 66 | - | - | 63 | - | - | - | 59 | 58 | 57 | 56 | 55 | - | 53 | | | | | | | | | | | | |
| | | | | | | | | | | | - | - | 50 | 49 | 48 | - | - | 45 | - | 43 | - | - | - | 39 | 38 | 37 | 36 | 35 | 34 | 33 | | | | | | | | | | | | |
| | | | | | | | | | | | | | | | | | | | | | | | | | | | - | - | - | 29 | - | 27 | - | - | - | 23 | 22 | 21 | - | - | 18 | - |
| | | | | | | | | | | | | | | | | | | | | | | | | | | | 16 | 15 | 14 | 13 | - | - | - | - | 8 | 7 | 6 | 5 | 4 | 3 | - | - |
| MX123 CONN ASSY 73 CKT GRY OPTO KEY B/40 | 345664273 | C-HSG-B0 | G-CAP-0-P | TPA-B0 | RS | LS | MAL | CPA | MSEAL | RSEAL | - | - | - | - | - | - | - | - | - | 63 | - | - | - | 59 | 58 | 57 | 56 | 55 | - | 53 | | | | | | | | | | | | |
| | | | | | | | | | | | - | - | 50 | 49 | 48 | - | 46 | - | - | 43 | - | - | - | 39 | 38 | 37 | 36 | 35 | 34 | 33 | | | | | | | | | | | | |
| | | | | | | | | | | | | | | | | | | | | | | | | | | | - | - | - | 29 | - | 27 | - | - | - | 23 | 22 | 21 | - | - | 18 | - |
| | | | | | | | | | | | | | | | | | | | | | | | | | | | 16 | 15 | 14 | - | - | - | - | - | 7 | 6 | 5 | 4 | 3 | - | - | |
| MX123 CONN ASSY 73 CKT BLK OPTO KEY A/38 | 345664283 | C-HSG-A0 | G-CAP-0-P | TPA-A0 | RS | LS | MAL | CPA | MSEAL | RSEAL | 72 | 71 | - | - | 68 | 67 | 66 | 65 | 64 | - | - | - | - | 59 | 58 | - | - | - | - | - | | | | | | | | | | | | |
| | | | | | | | | | | | - | - | 50 | - | 48 | 47 | 46 | 45 | - | - | - | - | 40 | 39 | 38 | - | - | 35 | - | 33 | | | | | | | | | | | | |
| | | | | | | | | | | | | | | | | | | | | | | | | | | | - | 31 | 30 | - | - | - | - | 25 | 24 | - | 22 | 21 | 20 | - | - | 17 |
| | | | | | | | | | | | | | | | | | | | | | | | | | | | - | - | 14 | - | - | - | - | 9 | - | 7 | 6 | 5 | 4 | - | 2 | 1 |

| ASSEMBLY DESCRIPTION | ASSEMBLY PART NUMBER | CONNECTOR HOUSING | GROMMET CAP | TPA | RIGHT SLIDE | LEFT SLIDE | MATE ASSIST LEVER | CPA | MAT SEAL | RING SEAL | BLOCKED TERMINALS | | | | | | | | | | | | | | | | | | STATUS | COMMENTS | INTEGRAL COMPONENTS SOLD SEPARATELY |
|--|----------------------|-------------------|-------------|--------|-------------|------------|-------------------|-----|----------|-----------|--|----|----|----|----|----|----|----|----|----|----|----|----|----|----|----|----|----|--------|----------|-------------------------------------|
| | | | | | | | | | | | CAVITY WITH A NUMBER INDICATES BLOCKED TERMINAL POSITION | | | | | | | | | | | | | | | | | | | | DRESS COVER |
| | | | | | | | | | | | CAVITY WITHOUT A NUMBER INDICATES OPEN TERMINAL POSITION | | | | | | | | | | | | | | | | | | | | |
| MX123 CONN ASSY 73 CKT GRY OPT0 KEY B/20 | 345664573 | C-HSG-B0 | G-CAP-0-P | TPA-B0 | RS | LS | MAL | CPA | MSEAL | RSEAL | 72 | 71 | 70 | 69 | - | - | 66 | 65 | - | - | 62 | 61 | 60 | 59 | - | 57 | 56 | 55 | 54 | - | |
| | | | | | | | | | | | 52 | 51 | 50 | 49 | 48 | 47 | - | - | 44 | - | 42 | 41 | 40 | 39 | - | 37 | 36 | 35 | 34 | 33 | |
| | | | | | | | | | | | | | | | | | | | | | | - | 31 | - | - | - | - | 26 | 25 | 24 | 23 |
| | | | | | | | | | | | 16 | 15 | 14 | 13 | - | 11 | - | 9 | 8 | 7 | 6 | 5 | 4 | 3 | 2 | 1 | | | | | |
| MX123 CONN ASSY 73 CKT GRY OPT0 KEY B/19 | 345664583 | C-HSG-B0 | G-CAP-0-P | TPA-B0 | RS | LS | MAL | CPA | MSEAL | RSEAL | 72 | 71 | 70 | 69 | - | - | 66 | 65 | - | 63 | 62 | 61 | 60 | 59 | - | 57 | 56 | 55 | 54 | - | |
| | | | | | | | | | | | 52 | 51 | 50 | 49 | 48 | 47 | - | - | 44 | 43 | 42 | 41 | 40 | 39 | - | 37 | 36 | 35 | 34 | 33 | |
| | | | | | | | | | | | | | | | | | | | | | | - | 31 | - | - | - | - | 26 | 25 | 24 | 23 |
| | | | | | | | | | | | 16 | 15 | 14 | 13 | - | 11 | - | 9 | 8 | 7 | 6 | 5 | 4 | 3 | 2 | - | | | | | |
| MX123 CONN ASSY 73 CKT GRY OPT0 KEY B/18 | 345664593 | C-HSG-B0 | G-CAP-0-P | TPA-B0 | RS | LS | MAL | CPA | MSEAL | RSEAL | 72 | 71 | 70 | 69 | - | - | 66 | 65 | - | 63 | 62 | 61 | 60 | 59 | - | 57 | 56 | 55 | 54 | - | |
| | | | | | | | | | | | 52 | 51 | 50 | 49 | 48 | 47 | - | - | 44 | 43 | 42 | 41 | 40 | 39 | - | 37 | 36 | 35 | 34 | 33 | |
| | | | | | | | | | | | | | | | | | | | | | | - | 31 | - | - | - | - | 26 | 25 | 24 | 23 |
| | | | | | | | | | | | 16 | 15 | 14 | 13 | - | 11 | - | 9 | 8 | 7 | 6 | 5 | 4 | 3 | 2 | 1 | | | | | |
| MX123 CONN ASSY 73 CKT BLK OPT0 KEY A/42 | 345664613 | C-HSG-A0 | G-CAP-0-P | TPA-A0 | RS | LS | MAL | CPA | MSEAL | RSEAL | - | 71 | 70 | - | 68 | - | - | - | 64 | - | 62 | 61 | - | 59 | 58 | - | - | 55 | 54 | - | |
| | | | | | | | | | | | 52 | 51 | 50 | - | 48 | - | 46 | 45 | - | - | - | 41 | - | 39 | 38 | - | - | - | 34 | - | |
| | | | | | | | | | | | | | | | | | | | | | | 32 | - | - | - | - | - | - | 25 | - | 23 |
| | | | | | | | | | | | - | - | - | - | 12 | - | - | 9 | 8 | 7 | 6 | - | - | - | - | - | | | | | |
| MX123 CONN ASSY 73 CKT GRY OPT0 KEY B/36 | 345664623 | C-HSG-B0 | G-CAP-0-P | TPA-B0 | RS | LS | MAL | CPA | MSEAL | RSEAL | - | 71 | - | 69 | - | 67 | - | 65 | 64 | 63 | 62 | 61 | - | - | 58 | 57 | 56 | - | - | - | |
| | | | | | | | | | | | - | 51 | - | 49 | - | 47 | - | 45 | 44 | 43 | 42 | 41 | - | - | 38 | 37 | 36 | - | - | - | |
| | | | | | | | | | | | | | | | | | | | | | | - | - | - | - | - | - | - | - | - | 22 |
| | | | | | | | | | | | - | 15 | 14 | 13 | 12 | 11 | - | 9 | - | - | 6 | 5 | 4 | 3 | - | - | | | | | |
| MX123 CONN ASSY 73 CKT BLK OPT0 KEY A/39 | 345664633 | C-HSG-A0 | G-CAP-0-P | TPA-A0 | RS | LS | MAL | CPA | MSEAL | RSEAL | 72 | - | - | - | 68 | 67 | 66 | 65 | - | - | 62 | 61 | - | - | - | 57 | - | - | - | - | |
| | | | | | | | | | | | - | - | 50 | - | 48 | - | 46 | - | - | - | - | - | 40 | 39 | - | 37 | - | 35 | - | 33 | |
| | | | | | | | | | | | | | | | | | | | | | | - | 31 | - | 29 | - | 27 | - | 25 | 24 | 23 |
| | | | | | | | | | | | - | - | 14 | 13 | - | 11 | - | 9 | - | 7 | 6 | - | 4 | - | 2 | 1 | | | | | |
| MX123 CONN ASSY 73 CKT GRY OPT0 KEY B/38 | 345664643 | C-HSG-B0 | G-CAP-0-P | TPA-B0 | RS | LS | MAL | CPA | MSEAL | RSEAL | - | 71 | - | 69 | - | 67 | - | 65 | 64 | 63 | 62 | 61 | - | - | 58 | 57 | 56 | - | - | - | |
| | | | | | | | | | | | - | 51 | - | 49 | - | 47 | - | 45 | 44 | 43 | 42 | 41 | - | - | 38 | 37 | 36 | - | - | - | |
| | | | | | | | | | | | | | | | | | | | | | | - | - | - | - | - | - | - | - | - | 22 |
| | | | | | | | | | | | - | 15 | 14 | 13 | 12 | 11 | - | 9 | - | - | 6 | 5 | 4 | 3 | - | - | | | | | |
| MX123 CONN ASSY 73 CKT BLK OPT0 KEY A/37 | 345664653 | C-HSG-A0 | G-CAP-0-P | TPA-A0 | RS | LS | MAL | CPA | MSEAL | RSEAL | 72 | - | - | - | 68 | - | 66 | 65 | - | - | 62 | 61 | - | - | 58 | 57 | - | - | - | | |
| | | | | | | | | | | | - | - | 50 | - | 48 | - | 46 | - | - | - | - | - | 40 | 39 | - | 37 | - | 35 | - | 33 | |
| | | | | | | | | | | | | | | | | | | | | | | - | 31 | - | 29 | - | 27 | - | 25 | 24 | - |
| | | | | | | | | | | | - | - | 14 | 13 | - | 11 | - | 9 | 8 | 7 | 6 | 5 | 4 | - | 2 | 1 | | | | | |
| MX123 CONN ASSY 73 CKT BLK OPT0 KEY A/36 | 345664663 | C-HSG-A0 | G-CAP-0-P | TPA-A0 | RS | LS | MAL | CPA | MSEAL | RSEAL | 72 | - | - | - | 68 | 67 | 66 | 65 | - | - | 62 | 61 | - | - | - | 57 | - | - | - | - | |
| | | | | | | | | | | | - | - | 50 | - | 48 | - | 46 | - | - | - | - | - | 40 | 39 | - | 37 | - | 35 | - | 33 | |
| | | | | | | | | | | | | | | | | | | | | | | - | 31 | - | 29 | - | 27 | - | 25 | 24 | 23 |
| | | | | | | | | | | | - | - | 14 | 13 | - | 11 | - | 9 | 8 | 7 | 6 | 5 | 4 | - | 2 | 1 | | | | | |
| MX123 CONN ASSY 73 CKT BLK OPT0 KEY A/29 | 345664673 | C-HSG-A0 | G-CAP-0-P | TPA-A0 | RS | LS | MAL | CPA | MSEAL | RSEAL | 72 | 71 | 70 | 69 | 68 | - | - | 65 | 64 | 63 | 62 | 61 | 60 | 59 | 58 | 57 | 56 | 55 | 54 | 53 | |
| | | | | | | | | | | | 52 | 51 | 50 | 49 | 48 | - | 46 | 45 | 44 | 43 | 42 | - | 40 | 39 | 38 | 37 | 36 | 35 | 34 | 33 | |
| | | | | | | | | | | | | | | | | | | | | | | - | - | - | - | 28 | - | - | - | 24 | 23 |
| | | | | | | | | | | | - | - | - | - | 12 | 11 | - | - | - | - | - | - | - | - | - | 2 | 1 | | | | |
| MX123 CONN ASSY 73 CKT GRY OPT9 KEY B/56 | 345664683 | C-HSG-B9 | G-CAP-9-P | TPA-B9 | RS | LS | MAL | CPA | MSEAL | RSEAL | - | - | - | - | - | - | - | - | - | 63 | - | - | - | - | - | - | - | - | 53 | | |
| | | | | | | | | | | | - | - | - | - | 48 | 47 | - | 45 | - | 43 | 42 | - | - | 39 | - | - | - | 35 | 34 | 33 | |
| | | | | | | | | | | | | | | | | | | | | | | - | - | - | - | - | - | 26 | - | - | 23 |
| | | | | | | | | | | | - | - | - | - | - | 11 | - | - | - | - | - | - | - | - | - | 1 | | | | | |
| MX123 CONN ASSY 73 CKT GRY OPT0 KEY B/53 | 345664693 | C-HSG-B0 | G-CAP-0-P | TPA-B0 | RS | LS | MAL | CPA | MSEAL | RSEAL | - | - | - | - | - | - | - | - | 64 | 63 | 62 | - | - | 59 | 58 | - | - | - | 53 | | |
| | | | | | | | | | | | - | - | - | - | - | 47 | - | 45 | - | 43 | 42 | - | - | 39 | - | - | - | 35 | 34 | 33 | |
| | | | | | | | | | | | | | | | | | | | | | | - | - | - | - | - | - | 26 | 25 | - | 23 |
| | | | | | | | | | | | - | - | - | - | - | - | - | - | - | - | - | - | - | - | 3 | - | 1 | | | | |

| ASSEMBLY DESCRIPTION | ASSEMBLY PART NUMBER | CONNECTOR HOUSING | GROMMET CAP | TPA | RIGHT SLIDE | LEFT SLIDE | MATE ASSIST LEVER | CPA | MAT SEAL | RING SEAL | BLOCKED TERMINALS | | | | | | | | | | | | | | | | | | | | STATUS | COMMENTS | INTEGRAL COMPONENTS SOLD SEPARATELY |
|--|----------------------|-------------------|-------------|--------|-------------|------------|-------------------|-----|----------|-----------|--|----|----|----|----|----|----|----|----|----|----|----|----|----|----|----|----|----|----|----|--------|----------|-------------------------------------|
| | | | | | | | | | | | CAVITY WITH A NUMBER INDICATES BLOCKED TERMINAL POSITION | | | | | | | | | | | | | | | | | | | | | | DRESS COVER |
| | | | | | | | | | | | CAVITY WITHOUT A NUMBER INDICATES OPEN TERMINAL POSITION | | | | | | | | | | | | | | | | | | | | | | |
| MX123 CONN ASSY 73 CKT GRY OPT0 KEY B/48 | 345664703 | C-HSG-B0 | G-CAP-0-P | TPA-B0 | RS | LS | MAL | CPA | MSEAL | RSEAL | 72 | 71 | 70 | 69 | 68 | - | - | - | - | 63 | 62 | 61 | 60 | - | - | - | 56 | - | 54 | - | | | |
| | | | | | | | | | | | 52 | 51 | 50 | - | - | - | 46 | 45 | - | 43 | 42 | 41 | 40 | - | - | - | 36 | - | 34 | - | | | |
| | | | | | | | | | | | | | | | 32 | 31 | 30 | - | 28 | 27 | 26 | 25 | 24 | - | - | - | 20 | 19 | 18 | 17 | | | |
| | | | | | | | | | | | | | | | 16 | 15 | 14 | 13 | - | 11 | 10 | - | 8 | - | 6 | 5 | 4 | 3 | 2 | 1 | | | |
| MX123 CONN ASSY 73 CKT BLK OPT0 KEY A/37 | 345664713 | C-HSG-A0 | G-CAP-0-P | TPA-A0 | RS | LS | MAL | CPA | MSEAL | RSEAL | - | - | - | - | 68 | - | 66 | 65 | - | - | 62 | 61 | - | - | 58 | 57 | - | - | - | - | | | |
| | | | | | | | | | | | - | - | 50 | - | 48 | - | 46 | - | - | - | - | 40 | 39 | 38 | 37 | - | 35 | - | 33 | | | | |
| | | | | | | | | | | | | | | | - | 31 | - | 29 | - | 27 | - | 25 | 24 | - | 22 | 21 | 20 | - | - | 17 | | | |
| | | | | | | | | | | | | | | | - | - | 14 | 13 | - | 11 | - | 9 | 8 | 7 | 6 | 5 | 4 | - | 2 | 1 | | | |
| MX123 CONN ASSY 73 CKT BLK OPT0 KEY A/36 | 345664723 | C-HSG-A0 | G-CAP-0-P | TPA-A0 | RS | LS | MAL | CPA | MSEAL | RSEAL | - | - | - | - | 68 | 67 | 66 | 65 | - | - | 62 | 61 | - | - | - | 57 | - | - | - | - | | | |
| | | | | | | | | | | | - | - | 50 | - | 48 | - | 46 | - | - | - | - | 40 | 39 | 38 | 37 | - | 35 | - | 33 | | | | |
| | | | | | | | | | | | | | | | - | 31 | - | 29 | - | 27 | - | 25 | 24 | 23 | 22 | 21 | 20 | - | - | 17 | | | |
| | | | | | | | | | | | | | | | - | - | 14 | 13 | - | 11 | - | 9 | 8 | 7 | 6 | 5 | 4 | - | 2 | 1 | | | |
| MX123 CONN ASSY 73 CKT BLK OPT0 KEY A/39 | 345664733 | C-HSG-A0 | G-CAP-0-P | TPA-A0 | RS | LS | MAL | CPA | MSEAL | RSEAL | - | - | - | - | 68 | 67 | 66 | 65 | - | - | 62 | 61 | - | - | - | 57 | - | - | - | - | | | |
| | | | | | | | | | | | - | - | 50 | - | 48 | - | 46 | - | - | - | - | 40 | 39 | 38 | 37 | - | 35 | - | 33 | | | | |
| | | | | | | | | | | | | | | | - | 31 | - | 29 | - | 27 | - | 25 | 24 | 23 | 22 | - | 20 | - | - | 17 | | | |
| | | | | | | | | | | | | | | | - | - | 14 | 13 | - | 11 | - | 9 | - | 7 | 6 | - | 4 | - | 2 | 1 | | | |
| MX123 CONN ASSY 73 CKT BLK OPT9 KEY A/59 | 345664743 | C-HSG-A9 | G-CAP-9-P | TPA-A9 | RS | LS | MAL | CPA | MSEAL | RSEAL | - | - | - | - | 68 | - | 66 | - | - | - | - | - | - | - | - | - | - | - | - | | | | |
| | | | | | | | | | | | - | - | - | - | - | - | 46 | - | - | - | - | - | - | 38 | - | - | 35 | - | 33 | | | | |
| | | | | | | | | | | | | | | | - | 31 | - | - | - | - | 25 | - | - | 22 | - | 20 | - | - | - | | | | |
| | | | | | | | | | | | | | | | - | - | - | - | - | - | 9 | - | 7 | 6 | - | 4 | - | - | - | | | | |
| MX123 CONN ASSY 73 CKT GRY OPT0 KEY B/20 | 345664753 | C-HSG-B0 | G-CAP-0-P | TPA-B0 | RS | LS | MAL | CPA | MSEAL | RSEAL | 72 | 71 | 70 | 69 | - | - | 66 | 65 | - | 63 | 62 | 61 | 60 | 59 | - | 57 | 56 | 55 | 54 | 53 | | | |
| | | | | | | | | | | | 52 | 51 | 50 | 49 | 48 | 47 | - | - | 44 | 43 | 42 | 41 | 40 | 39 | - | 37 | 36 | 35 | 34 | 33 | | | |
| | | | | | | | | | | | | | | | - | 31 | - | - | - | - | 26 | 25 | 24 | 23 | - | 21 | 20 | 19 | 18 | - | | | |
| | | | | | | | | | | | | | | | 16 | - | 14 | - | 12 | 11 | - | 9 | 8 | 7 | - | 5 | 4 | 3 | 2 | - | | | |
| MX123 CONN ASSY 73 CKT GRY OPT0 KEY B/16 | 345664763 | C-HSG-B0 | G-CAP-0-P | TPA-B0 | RS | LS | MAL | CPA | MSEAL | RSEAL | 72 | 71 | 70 | 69 | - | - | 66 | 65 | - | 63 | 62 | 61 | 60 | 59 | 58 | 57 | 56 | 55 | 54 | 53 | | | |
| | | | | | | | | | | | 52 | 51 | 50 | 49 | 48 | 47 | - | - | 44 | 43 | 42 | 41 | 40 | 39 | 38 | 37 | 36 | 35 | 34 | 33 | | | |
| | | | | | | | | | | | | | | | - | 31 | - | - | - | - | 26 | 25 | 24 | 23 | 22 | 21 | 20 | 19 | 18 | - | | | |
| | | | | | | | | | | | | | | | 16 | - | 14 | - | 12 | 11 | - | 9 | 8 | 7 | - | 5 | 4 | 3 | 2 | 1 | | | |
| MX123 CONN ASSY 73 CKT GRY OPT0 KEY B/25 | 345664773 | C-HSG-B0 | G-CAP-0-P | TPA-B0 | RS | LS | MAL | CPA | MSEAL | RSEAL | 72 | 71 | 70 | 69 | - | - | 66 | 65 | - | 63 | 62 | 61 | 60 | - | - | 57 | 56 | 55 | - | 53 | | | |
| | | | | | | | | | | | 52 | 51 | 50 | 49 | 48 | 47 | - | - | 44 | 43 | 42 | 41 | 40 | - | - | 37 | 36 | 35 | 34 | 33 | | | |
| | | | | | | | | | | | | | | | - | 31 | - | - | - | - | 26 | 25 | 24 | - | - | 21 | 20 | 19 | 18 | - | | | |
| | | | | | | | | | | | | | | | 16 | - | 14 | - | 12 | 11 | - | 9 | - | 7 | - | 5 | 4 | 3 | 2 | - | | | |
| MX123 CONN ASSY 73 CKT GRY OPT0 KEY B/25 | 345664783 | C-HSG-B0 | G-CAP-0-P | TPA-B0 | RS | LS | MAL | CPA | MSEAL | RSEAL | 72 | 71 | 70 | 69 | - | - | 66 | 65 | - | - | 62 | 61 | 60 | 59 | - | 57 | 56 | - | 54 | 53 | | | |
| | | | | | | | | | | | 52 | 51 | 50 | 49 | 48 | 47 | - | - | 44 | - | 42 | 41 | 40 | 39 | - | 37 | 36 | - | 34 | 33 | | | |
| | | | | | | | | | | | | | | | - | 31 | - | - | - | - | 26 | 25 | 24 | 23 | - | 21 | 20 | - | 18 | - | | | |
| | | | | | | | | | | | | | | | 16 | - | 14 | - | 12 | 11 | - | 9 | 8 | 7 | - | 5 | 4 | 3 | 2 | - | | | |
| MX123 CONN ASSY 73 CKT GRY OPT0 KEY B/21 | 345664793 | C-HSG-B0 | G-CAP-0-P | TPA-B0 | RS | LS | MAL | CPA | MSEAL | RSEAL | 72 | 71 | 70 | 69 | - | - | 66 | 65 | - | - | 62 | 61 | 60 | 59 | - | 57 | 56 | 55 | 54 | 53 | | | |
| | | | | | | | | | | | 52 | 51 | 50 | 49 | 48 | 47 | - | - | 44 | - | 42 | 41 | 40 | 39 | - | 37 | 36 | 35 | 34 | 33 | | | |
| | | | | | | | | | | | | | | | - | 31 | - | - | - | - | 26 | 25 | 24 | 23 | - | 21 | 20 | 19 | 18 | - | | | |
| | | | | | | | | | | | | | | | 16 | - | 14 | - | 12 | 11 | - | 9 | 8 | 7 | - | 5 | 4 | 3 | 2 | 1 | | | |
| MX123 CONN ASSY 73 CKT BLK OPT0 KEY A/38 | 345664803 | C-HSG-A0 | G-CAP-0-P | TPA-A0 | RS | LS | MAL | CPA | MSEAL | RSEAL | - | - | 70 | - | - | - | - | 65 | - | - | - | - | 60 | - | 58 | 57 | 56 | 55 | 54 | - | | | |
| | | | | | | | | | | | 52 | 51 | 50 | 49 | - | 47 | 46 | 45 | - | 43 | - | - | 40 | - | 38 | 37 | 36 | - | 34 | - | | | |
| | | | | | | | | | | | | | | | - | 31 | 30 | - | 28 | - | 26 | - | 24 | - | 22 | 21 | 20 | 19 | 18 | - | | | |
| | | | | | | | | | | | | | | | 16 | 15 | 14 | - | - | - | 10 | - | - | 7 | 6 | - | - | - | - | - | | | |
| MX123 CONN ASSY 73 CKT GRY OPT9 KEY B/26 | 345664813 | C-HSG-B9 | G-CAP-9-P | TPA-B9 | RS | LS | MAL | CPA | MSEAL | RSEAL | 72 | 71 | 70 | 69 | - | - | 66 | 65 | - | 63 | 62 | 61 | 60 | - | - | 57 | 56 | 55 | - | 53 | | | |
| | | | | | | | | | | | 52 | 51 | 50 | 49 | 48 | 47 | - | - | 44 | 43 | 42 | 41 | 40 | - | - | 37 | 36 | 35 | 34 | 33 | | | |
| | | | | | | | | | | | | | | | - | 31 | - | - | - | - | 26 | 25 | 24 | - | - | 21 | 20 | 19 | 18 | - | | | |
| | | | | | | | | | | | | | | | 16 | - | 14 | - | 12 | 11 | - | - | - | 7 | - | 5 | 4 | 3 | 2 | - | | | |

| ASSEMBLY DESCRIPTION | ASSEMBLY PART NUMBER | CONNECTOR HOUSING | GROMMET CAP | TPA | RIGHT SLIDE | LEFT SLIDE | MATE ASSIST LEVER | CPA | MAT SEAL | RING SEAL | BLOCKED TERMINALS | | | | | | | | | | | | | | | | STATUS | COMMENTS | INTEGRAL COMPONENTS SOLD SEPARATELY | | | | | | | | | | | | | | |
|--|----------------------|-------------------|-------------|--------|-------------|------------|-------------------|-----|----------|-----------|--|----|----|----|----|----|----|----|----|----|----|----|----|----|----|----|--------|----------|-------------------------------------|----|----|----|----|----|----|----|----|----|----|----|----|----|---|
| | | | | | | | | | | | CAVITY WITH A NUMBER INDICATES BLOCKED TERMINAL POSITION | | | | | | | | | | | | | | | | | | DRESS COVER | | | | | | | | | | | | | | |
| | | | | | | | | | | | CAVITY WITHOUT A NUMBER INDICATES OPEN TERMINAL POSITION | | | | | | | | | | | | | | | | | | | | | | | | | | | | | | | | |
| MX123 CONN ASSY 73 CKT BLU OPT0 KEY C/46 | 345664823 | C-HSG-C0 | G-CAP-0-P | TPA-C0 | RS | LS | MAL | CPA | MSEAL | RSEAL | 72 | 71 | 70 | 69 | - | - | - | - | - | 63 | 62 | 61 | 60 | - | - | - | 56 | - | - | - | | | | | | | | | | | | | |
| | | | | | | | | | | | 52 | - | - | - | - | - | 47 | - | - | 44 | - | - | - | - | - | - | - | 36 | - | 34 | - | | | | | | | | | | | | |
| | | | | | | | | | | | - | | | | | | | | | | | | | | | | - | 15 | 14 | - | 12 | 11 | - | - | - | - | - | - | - | - | - | - | 1 |
| | | | | | | | | | | | - | | | | | | | | | | | | | | | | - | - | - | - | - | - | - | - | - | - | - | - | - | - | - | - | - |
| MX123 CONN ASSY 73 CKT BLU OPT0 KEY C/41 | 345664833 | C-HSG-C0 | G-CAP-0-P | TPA-C0 | RS | LS | MAL | CPA | MSEAL | RSEAL | - | 71 | - | 69 | - | - | - | 65 | 64 | - | - | 61 | 60 | - | 58 | - | 56 | 55 | 54 | - | | | | | | | | | | | | | |
| | | | | | | | | | | | - | - | 50 | 49 | - | - | - | 45 | - | 43 | - | 41 | - | - | 38 | - | - | 35 | - | - | | | | | | | | | | | | | |
| | | | | | | | | | | | - | | | | | | | | | | | | | | | | - | 31 | - | 29 | 28 | - | - | - | - | 23 | - | - | 20 | 19 | 18 | 17 | |
| | | | | | | | | | | | - | | | | | | | | | | | | | | | | 16 | - | - | 13 | 12 | 11 | - | - | - | 7 | - | - | - | 3 | - | 1 | |
| MX123 CONN ASSY 73 CKT BLU OPT0 KEY C/42 | 345664843 | C-HSG-C0 | G-CAP-0-P | TPA-C0 | RS | LS | MAL | CPA | MSEAL | RSEAL | - | 71 | - | 69 | - | - | - | 65 | 64 | - | - | 61 | 60 | - | 58 | - | 56 | 55 | 54 | - | | | | | | | | | | | | | |
| | | | | | | | | | | | - | - | 50 | 49 | - | - | - | 45 | - | 43 | - | 41 | - | - | - | - | 35 | - | - | | | | | | | | | | | | | | |
| | | | | | | | | | | | - | | | | | | | | | | | | | | | | - | 31 | - | 29 | 28 | - | - | - | - | 23 | - | - | 20 | 19 | 18 | 17 | |
| | | | | | | | | | | | - | | | | | | | | | | | | | | | | 16 | - | - | 13 | 12 | 11 | - | - | - | 7 | - | - | - | 3 | - | 1 | |
| MX123 CONN ASSY 73 CKT BLU OPT0 KEY C/45 | 345664853 | C-HSG-C0 | G-CAP-0-P | TPA-C0 | RS | LS | MAL | CPA | MSEAL | RSEAL | - | 71 | - | 69 | - | 67 | - | 65 | 64 | - | - | 61 | 60 | - | 58 | - | - | - | 54 | - | | | | | | | | | | | | | |
| | | | | | | | | | | | - | - | 50 | 49 | - | - | - | 45 | - | 43 | - | 41 | - | - | 38 | - | - | 35 | - | - | | | | | | | | | | | | | |
| | | | | | | | | | | | - | | | | | | | | | | | | | | | | - | 31 | - | 29 | 28 | - | - | - | - | 23 | - | - | 20 | - | - | 17 | |
| | | | | | | | | | | | - | | | | | | | | | | | | | | | | 16 | - | - | 13 | 12 | 11 | - | - | - | 7 | - | - | - | - | - | 1 | |
| MX123 CONN ASSY 73 CKT BLU OPT0 KEY C/41 | 345664863 | C-HSG-C0 | G-CAP-0-P | TPA-C0 | RS | LS | MAL | CPA | MSEAL | RSEAL | - | 71 | - | 69 | - | 67 | - | 65 | 64 | - | - | 61 | 60 | - | 58 | - | 56 | 55 | 54 | - | | | | | | | | | | | | | |
| | | | | | | | | | | | - | - | 50 | 49 | - | - | - | 45 | - | 43 | - | 41 | - | - | - | - | 35 | - | - | | | | | | | | | | | | | | |
| | | | | | | | | | | | - | | | | | | | | | | | | | | | | - | 31 | - | 29 | 28 | - | - | - | - | 23 | - | - | 20 | 19 | 18 | 17 | |
| | | | | | | | | | | | - | | | | | | | | | | | | | | | | 16 | - | - | 13 | 12 | 11 | - | - | - | 7 | - | - | - | 3 | - | 1 | |
| MX123 CONN ASSY 73 CKT BLU OPT0 KEY C/40 | 345664873 | C-HSG-C0 | G-CAP-0-P | TPA-C0 | RS | LS | MAL | CPA | MSEAL | RSEAL | - | 71 | - | 69 | - | 67 | - | 65 | 64 | - | - | 61 | 60 | - | 58 | - | 56 | 55 | 54 | - | | | | | | | | | | | | | |
| | | | | | | | | | | | - | - | 50 | 49 | - | - | - | 45 | - | 43 | - | 41 | - | - | 38 | - | - | 35 | - | - | | | | | | | | | | | | | |
| | | | | | | | | | | | - | | | | | | | | | | | | | | | | - | 31 | - | 29 | 28 | - | - | - | - | 23 | - | - | 20 | 19 | 18 | 17 | |
| | | | | | | | | | | | - | | | | | | | | | | | | | | | | 16 | - | - | 13 | 12 | 11 | - | - | - | 7 | - | - | - | 3 | - | 1 | |
| MX123 CONN ASSY 73 CKT BLK OPT9 KEY A/39 | 345664883 | C-HSG-A9 | G-CAP-9-P | TPA-A9 | RS | LS | MAL | CPA | MSEAL | RSEAL | - | 71 | 70 | - | 68 | - | 66 | - | 64 | - | 62 | 61 | - | 59 | 58 | - | - | 55 | 54 | - | | | | | | | | | | | | | |
| | | | | | | | | | | | 52 | 51 | 50 | - | 48 | - | - | 45 | - | - | 42 | 41 | - | 39 | 38 | - | - | - | 34 | - | | | | | | | | | | | | | |
| | | | | | | | | | | | - | | | | | | | | | | | | | | | | 32 | - | - | - | - | 27 | 26 | 25 | - | 23 | 22 | - | - | 19 | 18 | - | |
| | | | | | | | | | | | - | | | | | | | | | | | | | | | | - | - | - | - | 12 | - | - | 9 | 8 | 7 | 6 | - | - | - | - | - | |
| MX123 CONN ASSY 73 CKT GRY OPT9 KEY B/24 | 345664893 | C-HSG-B9 | G-CAP-9-P | TPA-B9 | RS | LS | MAL | CPA | MSEAL | RSEAL | 72 | 71 | 70 | 69 | - | - | 66 | 65 | - | - | 62 | 61 | 60 | 59 | - | 57 | 56 | - | 54 | 53 | | | | | | | | | | | | | |
| | | | | | | | | | | | 52 | 51 | 50 | 49 | 48 | 47 | - | - | 44 | - | 42 | 41 | 40 | 39 | - | 37 | 36 | - | 34 | 33 | | | | | | | | | | | | | |
| | | | | | | | | | | | - | | | | | | | | | | | | | | | | - | 31 | - | - | - | - | 26 | 25 | 24 | 23 | - | 21 | 20 | - | 18 | - | |
| | | | | | | | | | | | - | | | | | | | | | | | | | | | | 16 | - | 14 | - | 12 | 11 | - | 9 | 8 | 7 | 6 | 5 | 4 | 3 | 2 | - | |
| MX123 CONN ASSY 73 CKT BLK OPT0 KEY A/21 | 345664903 | C-HSG-A0 | G-CAP-0-P | TPA-A0 | RS | LS | MAL | CPA | MSEAL | RSEAL | - | - | - | - | - | 67 | - | - | - | - | - | 60 | - | - | - | - | 54 | 53 | | | | | | | | | | | | | | | |
| | | | | | | | | | | | - | - | - | - | 48 | - | 46 | 45 | - | - | 42 | - | 40 | 39 | - | - | - | - | - | | | | | | | | | | | | | | |
| | | | | | | | | | | | - | | | | | | | | | | | | | | | | - | - | - | - | - | - | 26 | 25 | - | - | 22 | 21 | - | - | - | | |
| | | | | | | | | | | | - | | | | | | | | | | | | | | | | - | - | - | - | - | - | - | - | 8 | 7 | 6 | 5 | 4 | 3 | - | - | |
| MX123 CONN ASSY 73 CKT GRY OPT9 KEY B/27 | 345664913 | C-HSG-B9 | G-CAP-9-P | TPA-B9 | RS | LS | MAL | CPA | MSEAL | RSEAL | 72 | 71 | 70 | 69 | - | - | 66 | 65 | - | - | 62 | 61 | 60 | 59 | - | 56 | - | 54 | - | | | | | | | | | | | | | | |
| | | | | | | | | | | | 52 | 51 | 50 | 49 | 48 | 47 | - | - | 44 | - | 42 | 41 | 40 | 39 | - | 36 | - | 34 | 33 | | | | | | | | | | | | | | |
| | | | | | | | | | | | - | | | | | | | | | | | | | | | | - | 31 | - | - | - | - | 26 | 25 | 24 | 23 | - | 20 | - | 18 | - | | |
| | | | | | | | | | | | - | | | | | | | | | | | | | | | | 16 | 15 | 14 | 13 | - | 11 | - | 9 | 8 | 7 | 6 | 5 | 4 | 3 | 2 | - | |
| MX123 CONN ASSY 73 CKT BLK OPT9 KEY A/38 | 345664923 | C-HSG-A9 | G-CAP-9-P | TPA-A9 | RS | LS | MAL | CPA | MSEAL | RSEAL | - | 71 | 70 | - | 68 | - | 66 | - | 64 | - | 62 | 61 | - | 59 | 58 | - | - | 55 | 54 | - | | | | | | | | | | | | | |
| | | | | | | | | | | | 52 | 51 | 50 | - | 48 | - | 46 | 45 | - | - | 42 | 41 | - | 39 | 38 | - | - | - | 34 | - | | | | | | | | | | | | | |
| | | | | | | | | | | | - | | | | | | | | | | | | | | | | 32 | - | - | - | - | 27 | 26 | 25 | - | 23 | 22 | - | - | 19 | 18 | - | |
| | | | | | | | | | | | - | | | | | | | | | | | | | | | | - | - | - | - | 12 | - | - | 9 | 8 | 7 | 6 | - | - | - | - | - | |
| MX123 CONN ASSY 73 CKT BLU OPT0 KEY C/41 | 345664933 | C-HSG-C0 | G-CAP-0-P | TPA-C0 | RS | LS | MAL | CPA | MSEAL | RSEAL | - | 71 | - | 69 | - | - | - | 65 | 64 | - | - | 61 | 60 | - | 58 | - | 56 | 55 | 54 | - | | | | | | | | | | | | | |
| | | | | | | | | | | | - | - | 50 | 49 | - | - | - | 45 | - | 43 | 42 | 41 | - | - | 38 | - | - | - | - | - | | | | | | | | | | | | | |
| | | | | | | | | | | | - | | | | | | | | | | | | | | | | - | 31 | - | 29 | 28 | - | - | - | - | 23 | - | - | 20 | 19 | 18 | 17 | |
| | | | | | | | | | | | - | | | | | | | | | | | | | | | | 16 | - | - | 13 | 12 | 11 | - | - | - | 7 | - | - | - | 3 | - | 1 | |

| ASSEMBLY DESCRIPTION | ASSEMBLY PART NUMBER | CONNECTOR HOUSING | GROMMET CAP | TPA | RIGHT SLIDE | LEFT SLIDE | MATE ASSIST LEVER | CPA | MAT SEAL | RING SEAL | BLOCKED TERMINALS | | | | | | | | | | | | | | | | | | STATUS | COMMENTS | INTEGRAL COMPONENTS SOLD SEPARATELY | | | |
|--|----------------------|-------------------|-------------|--------|-------------|------------|-------------------|-----|----------|-----------|--|----|----|----|----|----|----|----|----|----|----|----|----|----|----|----|----|----|--------|----------|-------------------------------------|-----------|-----------|-----------|
| | | | | | | | | | | | CAVITY WITH A NUMBER INDICATES BLOCKED TERMINAL POSITION | | | | | | | | | | | | | | | | | | | | DRESS COVER | | | |
| | | | | | | | | | | | CAVITY WITHOUT A NUMBER INDICATES OPEN TERMINAL POSITION | | | | | | | | | | | | | | | | | | | | | | | |
| MX123 CONN ASSY 73 CKT BLK OPT0 KEY A/35 | 345665333 | C-HSG-A0 | G-CAP-0-P | TPA-A0 | RS | LS | MAL | CPA | MSEAL | RSEAL | - | - | - | 69 | - | - | - | - | - | - | - | - | 61 | - | - | 58 | 57 | - | 55 | 54 | - | SALEABLE | | 345650003 |
| | | | | | | | | | | | 52 | - | 50 | - | - | - | - | - | - | - | - | 42 | - | - | 39 | 38 | 37 | 36 | 35 | 34 | 33 | | | |
| | | | | | | | | | | | | | | | | | | | | | | 32 | 31 | - | - | - | 27 | - | - | - | 23 | | | |
| | | | | | | | | | | | 16 | 15 | 14 | 13 | - | - | 10 | 9 | 8 | 7 | 6 | 5 | 4 | 3 | 2 | 1 | | | | | | | | |
| MX123 CONN ASSY 73 CKT GRY OPT0 KEY B/24 | 345665343 | C-HSG-B0 | G-CAP-0-P | TPA-B0 | RS | LS | MAL | CPA | MSEAL | RSEAL | 72 | 71 | 70 | 69 | - | - | 66 | 65 | - | 63 | 62 | 61 | 60 | - | - | 57 | 56 | 55 | - | 53 | SALEABLE | | 345650003 | |
| | | | | | | | | | | | 52 | 51 | 50 | 49 | 48 | 47 | - | - | 44 | 43 | 42 | 41 | 40 | - | - | 37 | 36 | 35 | 34 | 33 | | | | |
| | | | | | | | | | | | | | | | | | | | | | | - | 31 | - | - | - | - | 26 | 25 | 24 | | | | - |
| | | | | | | | | | | | 16 | 15 | 14 | 13 | - | 11 | - | 9 | - | 7 | - | 5 | 4 | 3 | 2 | - | | | | | | | | |
| MX123 CONN ASSY 73 CKT GRY OPT9 KEY B/32 | 345665353 | C-HSG-B9 | G-CAP-9-P | TPA-B9 | RS | LS | MAL | CPA | MSEAL | RSEAL | 72 | 71 | 70 | 69 | - | - | 66 | 65 | - | - | 62 | 61 | 60 | - | - | 57 | 56 | - | - | 53 | SALEABLE | | 345650003 | |
| | | | | | | | | | | | 52 | 51 | 50 | 49 | 48 | 47 | - | - | - | - | 42 | 41 | 40 | - | - | 37 | 36 | - | - | 33 | | | | |
| | | | | | | | | | | | | | | | | | | | | | | - | 31 | - | - | - | - | 26 | 25 | 24 | | | | - |
| | | | | | | | | | | | 16 | - | 14 | - | - | 11 | - | 9 | 8 | 7 | - | 5 | 4 | 3 | 2 | - | | | | | | | | |
| MX123 CONN ASSY 73 CKT BLU OPT0 KEY C/35 | 345665363 | C-HSG-C0 | G-CAP-0-P | TPA-C0 | RS | LS | MAL | CPA | MSEAL | RSEAL | - | 71 | - | 69 | - | 67 | - | 65 | 64 | - | - | 61 | 60 | - | 58 | - | 56 | 55 | 54 | - | SALEABLE | | 345650003 | |
| | | | | | | | | | | | - | - | 50 | 49 | - | - | - | 45 | - | 43 | - | 41 | - | - | - | 37 | 36 | 35 | - | - | | | | |
| | | | | | | | | | | | | | | | | | | | | | | - | 31 | - | 29 | 28 | 27 | - | - | 24 | | | | 23 |
| | | | | | | | | | | | 16 | - | - | 13 | 12 | 11 | - | - | 8 | 7 | - | - | - | 3 | 2 | 1 | | | | | | | | |
| MX123 CONN ASSY 73 CKT BLU OPT0 KEY C/32 | 345665373 | C-HSG-C0 | G-CAP-0-P | TPA-C0 | RS | LS | MAL | CPA | MSEAL | RSEAL | - | 71 | - | 69 | - | 67 | - | 65 | 64 | - | - | 61 | 60 | - | 58 | - | 56 | 55 | 54 | - | SALEABLE | | 345650003 | |
| | | | | | | | | | | | - | - | 50 | 49 | - | - | - | 45 | - | 43 | - | 41 | - | - | 38 | 37 | 36 | 35 | - | - | | | | |
| | | | | | | | | | | | | | | | | | | | | | | - | 31 | - | 29 | 28 | 27 | - | - | 24 | | | | 23 |
| | | | | | | | | | | | 16 | - | - | 13 | 12 | 11 | - | - | 8 | 7 | - | 5 | 4 | 3 | 2 | 1 | | | | | | | | |
| MX123 CONN ASSY 73 CKT BLU OPT0 KEY C/39 | 345665383 | C-HSG-C0 | G-CAP-0-P | TPA-C0 | RS | LS | MAL | CPA | MSEAL | RSEAL | - | 71 | - | 69 | - | 67 | - | 65 | 64 | - | - | 61 | 60 | - | 58 | - | 56 | 55 | 54 | - | SALEABLE | | 345650003 | |
| | | | | | | | | | | | - | - | 50 | 49 | - | - | - | 45 | - | 43 | - | 41 | - | - | 38 | - | - | 35 | - | - | | | | |
| | | | | | | | | | | | | | | | | | | | | | | - | 31 | - | 29 | 28 | 27 | - | - | 23 | | | | - |
| | | | | | | | | | | | 16 | - | - | 13 | 12 | 11 | - | - | 7 | - | - | - | - | 3 | - | 1 | | | | | | | | |
| MX123 CONN ASSY 73 CKT BLK OPT0 KEY A/30 | 345665393 | C-HSG-A0 | G-CAP-0-P | TPA-A0 | RS | LS | MAL | CPA | MSEAL | RSEAL | 72 | 71 | - | - | 68 | 67 | 66 | 65 | 64 | - | 62 | 61 | 60 | 59 | 58 | 57 | - | - | - | - | SALEABLE | | 345650003 | |
| | | | | | | | | | | | - | - | 50 | - | 48 | 47 | 46 | 45 | - | - | - | - | 40 | 39 | 38 | 37 | - | 35 | - | 33 | | | | |
| | | | | | | | | | | | | | | | | | | | | | | - | 31 | 30 | 29 | - | 27 | - | 25 | 24 | | | | - |
| | | | | | | | | | | | - | 15 | 14 | 13 | - | 11 | - | 9 | - | 7 | 6 | - | 4 | - | 2 | 1 | | | | | | | | |
| MX123 CONN ASSY 73 CKT GRY OPT0 KEY B/42 | 345665403 | C-HSG-B0 | G-CAP-0-P | TPA-B0 | RS | LS | MAL | CPA | MSEAL | RSEAL | 72 | 71 | 70 | 69 | 68 | 67 | 66 | - | 64 | 63 | 62 | 61 | 60 | - | - | - | - | 54 | - | SALEABLE | | 345650003 | | |
| | | | | | | | | | | | 52 | 51 | - | - | - | 47 | - | - | 44 | 43 | 42 | 41 | 40 | - | - | - | 36 | - | - | | | | - | |
| | | | | | | | | | | | | | | | | | | | | | | 32 | 31 | 30 | - | 28 | 27 | 26 | 25 | | | | 24 | - |
| | | | | | | | | | | | - | - | - | 13 | 12 | 11 | 10 | 9 | 8 | - | - | - | - | - | 2 | 1 | | | | | | | | |
| MX123 CONN ASSY 73 CKT BLK OPT0 KEY A/31 | 345665413 | C-HSG-A0 | G-CAP-0-P | TPA-A0 | RS | LS | MAL | CPA | MSEAL | RSEAL | 72 | 71 | - | - | 68 | 67 | 66 | 65 | 64 | - | 62 | 61 | 60 | 59 | 58 | 57 | - | - | - | - | SALEABLE | | 345650003 | |
| | | | | | | | | | | | - | - | 50 | - | 48 | 47 | 46 | 45 | - | - | - | - | 40 | 39 | 38 | 37 | - | 35 | - | 33 | | | | |
| | | | | | | | | | | | | | | | | | | | | | | - | 31 | 30 | 29 | - | 27 | - | 25 | 24 | | | | - |
| | | | | | | | | | | | - | - | 14 | 13 | - | 11 | - | 9 | - | 7 | 6 | - | 4 | - | 2 | 1 | | | | | | | | |
| MX123 CONN ASSY 73 CKT BLK OPT0 KEY A/27 | 345665423 | C-HSG-A0 | G-CAP-0-P | TPA-A0 | RS | LS | MAL | CPA | MSEAL | RSEAL | 72 | 71 | - | - | 68 | 67 | 66 | 65 | 64 | - | 62 | 61 | 60 | 59 | - | 57 | - | - | - | - | SALEABLE | | 345650003 | |
| | | | | | | | | | | | - | - | 50 | - | 48 | 47 | 46 | 45 | - | - | - | - | 40 | 39 | 38 | 37 | - | 35 | - | 33 | | | | |
| | | | | | | | | | | | | | | | | | | | | | | - | 31 | 30 | 29 | - | 27 | - | 25 | 24 | | | | 23 |
| | | | | | | | | | | | - | 15 | 14 | 13 | - | 11 | - | 9 | 8 | 7 | 6 | 5 | 4 | - | 2 | 1 | | | | | | | | |
| MX123 CONN ASSY 73 CKT GRY OPT9 KEY B/22 | 345665433 | C-HSG-B9 | G-CAP-9-P | TPA-B9 | RS | LS | MAL | CPA | MSEAL | RSEAL | 72 | 71 | 70 | 69 | - | - | 66 | 65 | - | 63 | 62 | 61 | 60 | - | - | 57 | 56 | 55 | - | 53 | SALEABLE | | 345650003 | |
| | | | | | | | | | | | 52 | 51 | 50 | 49 | 48 | 47 | - | - | 44 | 43 | 42 | 41 | 40 | - | - | 37 | 36 | 35 | 34 | 33 | | | | |
| | | | | | | | | | | | | | | | | | | | | | | - | 31 | - | - | - | - | 26 | 25 | 24 | | | | - |
| | | | | | | | | | | | 16 | 15 | 14 | 13 | 12 | 11 | - | 9 | 8 | 7 | - | 5 | 4 | 3 | 2 | - | | | | | | | | |
| MX123 CONN ASSY 73 CKT GRY OPT9 KEY B/24 | 345665443 | C-HSG-B9 | G-CAP-9-P | TPA-B9 | RS | LS | MAL | CPA | MSEAL | RSEAL | 72 | 71 | 70 | 69 | - | - | 66 | 65 | - | 63 | 62 | 61 | 60 | - | - | 57 | 56 | 55 | - | 53 | SALEABLE | | 345650003 | |
| | | | | | | | | | | | 52 | 51 | 50 | 49 | 48 | 47 | - | - | 44 | 43 | 42 | 41 | 40 | - | - | 37 | 36 | 35 | 34 | 33 | | | | |
| | | | | | | | | | | | | | | | | | | | | | | - | 31 | - | - | - | - | 26 | 25 | 24 | | | | - |
| | | | | | | | | | | | 16 | - | 14 | - | 12 | 11 | - | 9 | 8 | 7 | - | 5 | 4 | 3 | 2 | - | | | | | | | | |

| ASSEMBLY DESCRIPTION | ASSEMBLY PART NUMBER | CONNECTOR HOUSING | GROMMET CAP | TPA | RIGHT SLIDE | LEFT SLIDE | MATE ASSIST LEVER | CPA | MAT SEAL | RING SEAL | BLOCKED TERMINALS | | | | | | | | | | | | | | | | | | | | STATUS | COMMENTS | INTEGRAL COMPONENTS SOLD SEPARATELY |
|--|----------------------|-------------------|-------------|--------|-------------|------------|-------------------|-----|----------|-----------|--|----|----|----|----|----|----|----|----|----|----|----|----|----|----|----|----|----|----|----------|----------|-----------|-------------------------------------|
| | | | | | | | | | | | CAVITY WITH A NUMBER INDICATES BLOCKED TERMINAL POSITION | | | | | | | | | | | | | | | | | | | | | | DRESS COVER |
| | | | | | | | | | | | CAVITY WITHOUT A NUMBER INDICATES OPEN TERMINAL POSITION | | | | | | | | | | | | | | | | | | | | | | |
| MX123 CONN ASSY 73 CKT GRY OPT0 KEY B/24 | 345665453 | C-HSG-B0 | G-CAP-0-P | TPA-B0 | RS | LS | MAL | CPA | MSEAL | RSEAL | 72 | 71 | 70 | 69 | - | - | 66 | 65 | - | 63 | 62 | 61 | 60 | - | - | 57 | 56 | 55 | - | 53 | SALEABLE | | 345650003 |
| | | | | | | | | | | | 52 | 51 | 50 | 49 | 48 | 47 | - | - | 44 | 43 | 42 | 41 | 40 | - | - | 37 | 36 | 35 | 34 | 33 | | | |
| | | | | | | | | | | | | | | | - | 31 | - | - | - | - | 26 | 25 | 24 | - | - | 21 | 20 | 19 | 18 | - | | | |
| | | | | | | | | | | | | | | | 16 | - | 14 | - | 12 | 11 | - | 9 | 8 | 7 | - | 5 | 4 | 3 | 2 | - | | | |
| MX123 CONN ASSY 73 CKT BLK OPT0 KEY A/21 | 345665463 | C-HSG-A0 | G-CAP-0-P | TPA-A0 | RS | LS | MAL | CPA | MSEAL | RSEAL | - | 71 | - | 69 | 68 | 67 | 66 | 65 | 64 | - | 62 | 61 | 60 | 59 | 58 | 57 | 56 | 55 | 54 | 53 | SALEABLE | | 345650003 |
| | | | | | | | | | | | - | 51 | 50 | - | 48 | 47 | 46 | 45 | 44 | 43 | 42 | - | 40 | 39 | 38 | 37 | 36 | 35 | 34 | 33 | | | |
| | | | | | | | | | | | | | | | 32 | - | - | 29 | - | - | - | 25 | 24 | - | 22 | 21 | - | - | 18 | 17 | | | |
| | | | | | | | | | | | | | | | - | - | - | 13 | - | 11 | - | 9 | 8 | 7 | - | 5 | 4 | 3 | 2 | 1 | | | |
| MX123 CONN ASSY 73 CKT BLK OPT0 KEY A/45 | 345665473 | C-HSG-A0 | G-CAP-0-P | TPA-A0 | RS | LS | MAL | CPA | MSEAL | RSEAL | - | - | - | 69 | - | - | - | - | - | - | - | 61 | - | - | 58 | 57 | - | 55 | 54 | - | SALEABLE | | 345650003 |
| | | | | | | | | | | | - | - | 50 | 49 | - | - | - | - | - | - | - | - | - | 39 | 38 | 37 | 36 | 35 | 34 | 33 | | | |
| | | | | | | | | | | | | | | | 32 | - | - | - | - | - | - | - | - | 22 | 21 | - | - | 18 | - | | | | |
| | | | | | | | | | | | | | | | - | - | - | 13 | - | - | - | 9 | 8 | 7 | - | 5 | 4 | 3 | 2 | 1 | | | |
| MX123 CONN ASSY 73 CKT GRY OPT0 KEY B/39 | 345665483 | C-HSG-B0 | G-CAP-0-P | TPA-B0 | RS | LS | MAL | CPA | MSEAL | RSEAL | - | 71 | - | 69 | - | 67 | - | 65 | - | - | 62 | 61 | - | - | 58 | 57 | 56 | - | - | - | SALEABLE | | 345650003 |
| | | | | | | | | | | | - | 51 | - | 49 | - | 47 | - | 45 | 44 | 43 | 42 | 41 | - | - | 38 | 37 | 36 | - | - | - | | | |
| | | | | | | | | | | | | | | | - | - | - | - | - | - | - | - | - | 23 | 22 | 21 | - | 19 | 18 | - | | | |
| | | | | | | | | | | | | | | | - | 15 | 14 | 13 | 12 | 11 | - | 9 | - | 7 | 6 | - | - | 3 | - | - | | | |
| MX123 CONN ASSY 73 CKT BLK OPT0 KEY A/37 | 345665493 | C-HSG-A0 | G-CAP-0-P | TPA-A0 | RS | LS | MAL | CPA | MSEAL | RSEAL | - | 71 | - | - | 68 | 67 | 66 | 65 | 64 | - | 62 | 61 | - | - | - | - | - | - | - | SALEABLE | | 345650003 | |
| | | | | | | | | | | | - | - | 50 | - | 48 | 47 | 46 | 45 | - | - | - | - | - | 39 | 38 | - | - | 35 | - | | | | 33 |
| | | | | | | | | | | | | | | | - | 31 | 30 | 29 | - | 27 | - | 25 | 24 | 23 | 22 | 21 | 20 | - | - | | | | - |
| | | | | | | | | | | | | | | | - | - | 14 | 13 | - | 11 | - | 9 | 8 | 7 | 6 | 5 | 4 | - | - | | | | - |
| MX123 CONN ASSY 73 CKT BLK OPT0 KEY A/30 | 345665503 | C-HSG-A0 | G-CAP-0-P | TPA-A0 | RS | LS | MAL | CPA | MSEAL | RSEAL | - | - | 70 | - | - | - | - | 65 | - | - | - | 61 | - | - | 58 | 57 | 56 | 55 | 54 | 53 | SALEABLE | | 345650003 |
| | | | | | | | | | | | - | 51 | 50 | - | - | 47 | - | 45 | - | - | - | 41 | - | - | 38 | 37 | 36 | - | 34 | - | | | |
| | | | | | | | | | | | | | | | - | 31 | 30 | - | 28 | - | - | 25 | - | - | 22 | 21 | 20 | 19 | 18 | - | | | |
| | | | | | | | | | | | | | | | 16 | 15 | - | - | - | - | - | - | - | - | - | - | - | - | - | - | | | |
| MX123 CONN ASSY 73 CKT GRY OPT9 KEY B/22 | 345665513 | C-HSG-B9 | G-CAP-9-P | TPA-B9 | RS | LS | MAL | CPA | MSEAL | RSEAL | 72 | 71 | 70 | 69 | - | - | 66 | 65 | - | 63 | 62 | 61 | 60 | 59 | - | 57 | 56 | 55 | - | 53 | SALEABLE | | 345650003 |
| | | | | | | | | | | | 52 | 51 | 50 | 49 | 48 | 47 | - | - | 44 | 43 | 42 | 41 | 40 | 39 | - | 37 | 36 | - | 34 | 33 | | | |
| | | | | | | | | | | | | | | | - | 31 | - | - | - | - | 26 | 25 | 24 | 23 | - | 21 | 20 | - | 18 | - | | | |
| | | | | | | | | | | | | | | | 16 | 15 | 14 | 13 | 12 | 11 | - | 9 | 8 | 7 | 6 | 5 | 4 | 3 | 2 | - | | | |
| MX123 CONN ASSY 73 CKT BLK OPT9 KEY A/42 | 345665523 | C-HSG-A9 | G-CAP-9-P | TPA-A9 | RS | LS | MAL | CPA | MSEAL | RSEAL | - | 71 | 70 | - | 68 | - | - | - | 64 | - | 62 | 61 | - | 59 | 58 | - | - | 55 | 54 | - | SALEABLE | | 345650003 |
| | | | | | | | | | | | 52 | 51 | 50 | - | 48 | - | 46 | 45 | - | - | - | 41 | - | 39 | 38 | - | - | - | 34 | - | | | |
| | | | | | | | | | | | | | | | 32 | - | - | - | - | - | - | 25 | - | 23 | 22 | - | - | 19 | 18 | - | | | |
| | | | | | | | | | | | | | | | - | - | - | - | 12 | - | - | 9 | 8 | 7 | 6 | - | - | - | - | - | | | |
| MX123 CONN ASSY 73 CKT GRY OPT9 KEY B/24 | 345665533 | C-HSG-B9 | G-CAP-9-P | TPA-B9 | RS | LS | MAL | CPA | MSEAL | RSEAL | 72 | 71 | 70 | 69 | - | - | 66 | 65 | - | 63 | 62 | 61 | 60 | - | - | 57 | 56 | 55 | - | 53 | SALEABLE | | 345650003 |
| | | | | | | | | | | | 52 | 51 | 50 | 49 | 48 | 47 | - | - | 44 | 43 | 42 | 41 | 40 | - | - | 37 | 36 | 35 | 34 | 33 | | | |
| | | | | | | | | | | | | | | | - | 31 | - | - | - | - | 26 | 25 | 24 | - | - | 21 | 20 | 19 | 18 | - | | | |
| | | | | | | | | | | | | | | | 16 | 15 | 14 | 13 | 12 | 11 | - | 9 | - | 7 | - | 5 | 4 | 3 | 2 | - | | | |
| MX123 CONN ASSY 73 CKT BLK OPT9 KEY A/24 | 345665543 | C-HSG-A9 | G-CAP-9-P | TPA-A9 | RS | LS | MAL | CPA | MSEAL | RSEAL | 72 | 71 | 70 | 69 | - | - | 66 | 65 | - | 63 | 62 | 61 | 60 | - | - | 57 | 56 | 55 | - | 53 | SALEABLE | | 345650003 |
| | | | | | | | | | | | 52 | 51 | 50 | 49 | 48 | 47 | - | - | 44 | 43 | 42 | 41 | 40 | - | - | 37 | 36 | 35 | 34 | 33 | | | |
| | | | | | | | | | | | | | | | - | 31 | - | - | - | - | 26 | 25 | 24 | - | - | 21 | 20 | 19 | 18 | - | | | |
| | | | | | | | | | | | | | | | 16 | 15 | 14 | 13 | - | 11 | - | 9 | - | 7 | - | 5 | 4 | 3 | 2 | - | | | |
| MX123 CONN ASSY 73 CKT GRY OPT9 KEY B/24 | 345665553 | C-HSG-B9 | G-CAP-9-P | TPA-B9 | RS | LS | MAL | CPA | MSEAL | RSEAL | 72 | 71 | 70 | 69 | - | - | 66 | 65 | - | 63 | 62 | 61 | 60 | - | - | 57 | 56 | 55 | - | 53 | SALEABLE | | 345650003 |
| | | | | | | | | | | | 52 | 51 | 50 | 49 | 48 | 47 | - | - | 44 | 43 | 42 | 41 | 40 | - | - | 37 | 36 | 35 | 34 | 33 | | | |
| | | | | | | | | | | | | | | | - | 31 | - | - | - | - | 26 | 25 | 24 | - | - | 21 | 20 | 19 | 18 | - | | | |
| | | | | | | | | | | | | | | | 16 | 15 | 14 | 13 | - | 11 | - | 9 | - | 7 | - | 5 | 4 | 3 | 2 | - | | | |
| MX123 CONN ASSY 73 CKT BLK OPT0 KEY A/43 | 345665563 | C-HSG-A0 | G-CAP-0-P | TPA-A0 | RS | LS | MAL | CPA | MSEAL | RSEAL | - | - | - | - | 68 | 67 | 66 | 65 | - | - | 62 | 61 | - | - | - | - | - | - | - | SALEABLE | | 345650003 | |
| | | | | | | | | | | | - | - | 50 | - | - | - | 46 | - | - | - | - | - | 40 | 39 | 38 | - | - | 35 | - | | | | - |
| | | | | | | | | | | | | | | | - | 31 | - | 29 | - | 27 | - | 25 | 24 | 23 | 22 | 21 | 20 | - | - | | | | - |
| | | | | | | | | | | | | | | | - | - | 14 | 13 | - | 11 | - | 9 | 8 | 7 | 6 | 5 | 4 | - | - | | | | - |

| ASSEMBLY DESCRIPTION | ASSEMBLY PART NUMBER | CONNECTOR HOUSING | GROMMET CAP | TPA | RIGHT SLIDE | LEFT SLIDE | MATE ASSIST LEVER | CPA | MAT SEAL | RING SEAL | BLOCKED TERMINALS | | | | | | | | | | | | | | | | | | STATUS | COMMENTS | INTEGRAL COMPONENTS SOLD SEPARATELY |
|--|----------------------|-------------------|-------------|--------|-------------|------------|-------------------|-----|----------|-----------|--|----|----|----|----|----|----|----|----|----|----|----|----|----|----|----|----|----|--------|----------|-------------------------------------|
| | | | | | | | | | | | CAVITY WITH A NUMBER INDICATES BLOCKED TERMINAL POSITION | | | | | | | | | | | | | | | | | | | | DRESS COVER |
| | | | | | | | | | | | CAVITY WITHOUT A NUMBER INDICATES OPEN TERMINAL POSITION | | | | | | | | | | | | | | | | | | | | |
| MX123 CONN ASSY 73 CKT BLU OPTO KEY C/52 | 345665573 | C-HSG-C0 | G-CAP-0-P | TPA-C0 | RS | LS | MAL | CPA | MSEAL | RSEAL | - | 71 | - | 69 | - | 67 | - | 65 | 64 | - | - | 61 | 60 | - | - | - | - | - | 54 | - | |
| | | | | | | | | | | | - | - | 50 | - | - | - | - | 45 | - | 43 | - | 41 | - | - | - | - | - | - | 35 | - | - |
| | | | | | | | | | | | | | | | | | | | | | | - | 31 | - | 29 | 28 | 27 | - | - | - | - |
| MX123 CONN ASSY 73 CKT GRY OPTO KEY B/41 | 345665583 | C-HSG-B0 | G-CAP-0-P | TPA-B0 | RS | LS | MAL | CPA | MSEAL | RSEAL | - | 71 | - | 69 | - | 67 | - | 65 | - | - | 62 | 61 | - | - | 58 | 57 | 56 | - | - | - | |
| | | | | | | | | | | | - | 51 | - | 49 | - | 47 | - | 45 | 44 | 43 | 42 | 41 | - | - | 38 | 37 | 36 | - | - | - | |
| | | | | | | | | | | | | | | | | | | | | | | - | - | - | - | - | - | - | - | 22 | 21 |
| MX123 CONN ASSY 73 CKT BLU OPTO KEY C/37 | 345665593 | C-HSG-C0 | G-CAP-0-P | TPA-C0 | RS | LS | MAL | CPA | MSEAL | RSEAL | - | 71 | - | 69 | - | 67 | - | 65 | 64 | - | - | 61 | 60 | - | 58 | - | 56 | - | 54 | - | |
| | | | | | | | | | | | - | - | 50 | 49 | - | - | - | 45 | - | 43 | - | 41 | - | - | 38 | 37 | 36 | 35 | - | - | |
| | | | | | | | | | | | | | | | | | | | | | | - | 31 | - | 29 | 28 | 27 | - | - | 24 | - |
| MX123 CONN ASSY 73 CKT BLK OPTO KEY A/33 | 345665603 | C-HSG-A0 | G-CAP-0-P | TPA-A0 | RS | LS | MAL | CPA | MSEAL | RSEAL | - | - | 70 | - | - | - | - | 65 | - | - | - | 61 | 60 | - | 58 | 57 | - | 55 | 54 | - | |
| | | | | | | | | | | | 52 | 51 | - | 49 | - | 47 | - | 45 | - | - | - | 41 | 40 | - | 38 | 37 | - | - | 34 | - | |
| | | | | | | | | | | | | | | | | | | | | | | - | 31 | - | - | 28 | - | 26 | 25 | 24 | - |
| MX123 CONN ASSY 73 CKT BLU OPTO KEY C/43 | 345665613 | C-HSG-C0 | G-CAP-0-P | TPA-C0 | RS | LS | MAL | CPA | MSEAL | RSEAL | - | 71 | - | 69 | - | 67 | 66 | 65 | 64 | - | - | 61 | 60 | - | - | - | 56 | 55 | 54 | - | |
| | | | | | | | | | | | - | - | 50 | 49 | - | - | 46 | 45 | - | 43 | - | 41 | - | - | 38 | - | - | 35 | - | - | |
| | | | | | | | | | | | | | | | | | | | | | | - | 31 | - | 29 | 28 | - | - | - | - | - |
| MX123 CONN ASSY 73 CKT BLU OPTO KEY C/40 | 345665623 | C-HSG-C0 | G-CAP-0-P | TPA-C0 | RS | LS | MAL | CPA | MSEAL | RSEAL | - | 71 | - | 69 | - | 67 | 66 | 65 | 64 | - | - | 61 | 60 | - | 58 | - | 56 | 55 | 54 | - | |
| | | | | | | | | | | | - | - | 50 | 49 | - | - | 46 | 45 | - | 43 | - | 41 | - | - | 38 | - | - | 35 | - | - | |
| | | | | | | | | | | | | | | | | | | | | | | - | 31 | - | 29 | 28 | - | - | - | - | - |
| MX123 CONN ASSY 73 CKT GRY OPTO KEY B/19 | 345665633 | C-HSG-B0 | G-CAP-0-P | TPA-B0 | RS | LS | MAL | CPA | MSEAL | RSEAL | - | 71 | 70 | 69 | 68 | 67 | 66 | 65 | 64 | 63 | - | - | 60 | 59 | 58 | 57 | 56 | 55 | 54 | 53 | |
| | | | | | | | | | | | - | 51 | 50 | 49 | - | 47 | - | 45 | - | - | 42 | - | - | 39 | 38 | 37 | 36 | 35 | 34 | 33 | |
| | | | | | | | | | | | | | | | | | | | | | | 32 | 31 | - | 29 | 28 | 27 | 26 | 25 | 24 | 23 |
| MX123 CONN ASSY 73 CKT GRY OPTO KEY B/18 | 345665643 | C-HSG-B0 | G-CAP-0-P | TPA-B0 | RS | LS | MAL | CPA | MSEAL | RSEAL | - | 71 | 70 | 69 | 68 | 67 | 66 | 65 | 64 | 63 | - | - | 60 | 59 | 58 | 57 | 56 | 55 | 54 | 53 | |
| | | | | | | | | | | | - | 51 | 50 | 49 | - | 47 | - | 45 | 44 | - | 42 | - | - | 39 | 38 | 37 | 36 | 35 | 34 | 33 | |
| | | | | | | | | | | | | | | | | | | | | | | 32 | 31 | - | 29 | 28 | 27 | 26 | 25 | 24 | 23 |
| MX123 CONN ASSY 73 CKT BLK OPTO KEY A/52 | 345665653 | C-HSG-A0 | G-CAP-0-P | TPA-A0 | RS | LS | MAL | CPA | MSEAL | RSEAL | - | - | - | - | - | 67 | - | - | - | - | 62 | - | - | 59 | 58 | - | - | 55 | - | - | |
| | | | | | | | | | | | - | - | - | - | - | 47 | - | - | - | - | 42 | 41 | - | - | - | - | - | 35 | - | - | |
| | | | | | | | | | | | | | | | | | | | | | | - | - | - | - | - | 27 | - | - | 24 | - |
| MX123 CONN ASSY 73 CKT BLU OPTO KEY C/37 | 345665663 | C-HSG-C0 | G-CAP-0-P | TPA-C0 | RS | LS | MAL | CPA | MSEAL | RSEAL | 72 | 71 | 70 | - | 68 | - | - | 65 | - | 63 | - | 61 | - | 59 | 58 | - | 56 | - | - | 53 | |
| | | | | | | | | | | | - | - | - | 49 | - | 47 | - | - | - | 43 | - | 41 | 40 | 39 | 38 | - | 36 | - | - | - | |
| | | | | | | | | | | | | | | | | | | | | | | - | - | 30 | 29 | - | - | - | 25 | 24 | 23 |
| MX123 CONN ASSY 73 CKT BLU OPTO KEY C/35 | 345665673 | C-HSG-C0 | G-CAP-0-P | TPA-C0 | RS | LS | MAL | CPA | MSEAL | RSEAL | 72 | 71 | 70 | - | 68 | - | - | 65 | - | 63 | 62 | - | - | 59 | 58 | - | 56 | 55 | - | 53 | |
| | | | | | | | | | | | - | - | - | - | - | 47 | - | - | - | 43 | 42 | - | 40 | 39 | 38 | - | 36 | 35 | - | - | |
| | | | | | | | | | | | | | | | | | | | | | | - | - | 30 | 29 | - | - | 26 | - | 24 | 23 |
| MX123 CONN ASSY 73 CKT GRY OPTO KEY B/18 | 345665683 | C-HSG-B0 | G-CAP-0-P | TPA-B0 | RS | LS | MAL | CPA | MSEAL | RSEAL | - | 71 | 70 | 69 | 68 | 67 | 66 | 65 | 64 | 63 | - | - | 60 | 59 | 58 | 57 | 56 | 55 | 54 | 53 | |
| | | | | | | | | | | | - | 51 | 50 | 49 | - | 47 | - | 45 | - | - | 42 | - | - | 39 | 38 | 37 | 36 | 35 | 34 | 33 | |
| | | | | | | | | | | | | | | | | | | | | | | 32 | 31 | - | 29 | 28 | 27 | 26 | 25 | 24 | 23 |

| ASSEMBLY DESCRIPTION | ASSEMBLY PART NUMBER | CONNECTOR HOUSING | GROMMET CAP | TPA | RIGHT SLIDE | LEFT SLIDE | MATE ASSIST LEVER | CPA | MAT SEAL | RING SEAL | BLOCKED TERMINALS | | | | | | | | | | | | | | | | | | STATUS | COMMENTS | INTEGRAL COMPONENTS SOLD SEPARATELY | | | | | | | | | | |
|--|----------------------|-------------------|-------------|--------|-------------|------------|-------------------|-----|----------|-----------|--|----|----|----|----|----|----|----|----|----|----|----|----|----|----|----|----|----|--------|----------|-------------------------------------|----|----|----|----|----|----|----|----|----|----|
| | | | | | | | | | | | CAVITY WITH A NUMBER INDICATES BLOCKED TERMINAL POSITION | | | | | | | | | | | | | | | | | | | | DRESS COVER | | | | | | | | | | |
| | | | | | | | | | | | CAVITY WITHOUT A NUMBER INDICATES OPEN TERMINAL POSITION | | | | | | | | | | | | | | | | | | | | | | | | | | | | | | |
| MX123 CONN ASSY 73 CKT BLK OPTO KEY A/53 | 345665693 | C-HSG-A0 | G-CAP-0-P | TPA-A0 | RS | LS | MAL | CPA | MSEAL | RSEAL | - | - | - | - | - | 67 | - | - | - | - | - | 62 | - | - | 59 | 58 | - | - | 55 | - | - | | | | | | | | | | |
| | | | | | | | | | | | - | - | - | - | - | 47 | - | - | - | - | 42 | 41 | - | - | - | - | - | 35 | - | - | | | | | | | | | | | |
| | | | | | | | | | | | | | | | | | | | | | | | | | | - | - | - | - | - | 27 | - | - | 24 | - | - | - | - | 19 | 18 | 17 |
| | | | | | | | | | | | | | | | | | | | | | | | | | | 16 | - | - | - | - | 11 | 10 | - | 8 | - | - | - | - | 3 | - | 1 |
| MX123 CONN ASSY 73 CKT GRY OPTO KEY B/52 | 345665703 | C-HSG-B0 | G-CAP-0-P | TPA-B0 | RS | LS | MAL | CPA | MSEAL | RSEAL | 72 | 71 | 70 | 69 | - | 67 | 66 | 65 | 64 | 63 | 62 | 61 | 60 | - | 58 | - | 56 | - | 54 | - | | | | | | | | | | | |
| | | | | | | | | | | | 52 | 51 | 50 | - | - | 47 | - | 45 | 44 | 43 | 42 | 41 | 40 | - | 38 | - | 36 | - | 34 | - | | | | | | | | | | | |
| | | | | | | | | | | | | | | | | | | | | | | | | | | 32 | 31 | 30 | - | 28 | 27 | 26 | 25 | 24 | - | 22 | - | 20 | 19 | - | - |
| | | | | | | | | | | | | | | | | | | | | | | | | | | 16 | 15 | 14 | 13 | - | - | - | 9 | 8 | - | 6 | 5 | 4 | 3 | 2 | 1 |
| MX123 CONN ASSY 73 CKT BLU OPTO KEY C/40 | 345665713 | C-HSG-C0 | G-CAP-0-P | TPA-C0 | RS | LS | MAL | CPA | MSEAL | RSEAL | 72 | 71 | 70 | - | 68 | - | - | 65 | - | 63 | - | 61 | - | 59 | 58 | - | 56 | - | - | 53 | | | | | | | | | | | |
| | | | | | | | | | | | - | - | - | 49 | - | 47 | - | - | - | 43 | - | 41 | 40 | 39 | 38 | - | 36 | - | - | - | | | | | | | | | | | |
| | | | | | | | | | | | | | | | | | | | | | | | | | | - | - | 30 | 29 | - | - | - | 25 | 24 | 23 | 22 | 21 | 20 | - | - | - |
| | | | | | | | | | | | | | | | | | | | | | | | | | | - | - | - | - | - | - | - | - | - | - | 6 | 5 | 4 | 3 | 2 | 1 |
| MX123 CONN ASSY 73 CKT BLU OPTO KEY C/36 | 345665723 | C-HSG-C0 | G-CAP-0-P | TPA-C0 | RS | LS | MAL | CPA | MSEAL | RSEAL | 72 | 71 | 70 | - | 68 | - | - | 65 | - | 63 | 62 | - | - | 59 | 58 | - | 56 | 55 | - | 53 | | | | | | | | | | | |
| | | | | | | | | | | | - | - | - | - | - | 47 | - | - | - | 43 | 42 | - | 40 | 39 | 38 | - | 36 | 35 | - | - | | | | | | | | | | | |
| | | | | | | | | | | | | | | | | | | | | | | | | | | 32 | - | 30 | 29 | - | - | 26 | - | 24 | 23 | 22 | 21 | 20 | 19 | - | 17 |
| | | | | | | | | | | | | | | | | | | | | | | | | | | - | - | - | - | - | - | - | - | - | - | 6 | 5 | 4 | 3 | 2 | 1 |
| MX123 CONN ASSY 73 CKT BLK OPTO KEY A/36 | 345665733 | C-HSG-A0 | G-CAP-0-P | TPA-A0 | RS | LS | MAL | CPA | MSEAL | RSEAL | 72 | - | - | - | 68 | 67 | 66 | 65 | - | - | 62 | 61 | - | - | - | - | - | - | - | | | | | | | | | | | | |
| | | | | | | | | | | | - | - | 50 | - | 48 | 47 | 46 | - | - | - | - | 40 | 39 | 38 | - | - | 35 | - | 33 | | | | | | | | | | | | |
| | | | | | | | | | | | | | | | | | | | | | | | | | | - | 31 | - | 29 | - | 27 | - | 25 | 24 | 23 | 22 | 21 | 20 | - | - | 17 |
| | | | | | | | | | | | | | | | | | | | | | | | | | | - | - | 14 | 13 | - | 11 | - | 9 | 8 | 7 | 6 | 5 | 4 | - | 2 | 1 |
| MX123 CONN ASSY 73 CKT BLK OPTO KEY A/36 | 345665743 | C-HSG-A0 | G-CAP-0-P | TPA-A0 | RS | LS | MAL | CPA | MSEAL | RSEAL | 72 | - | - | - | 68 | - | 66 | 65 | - | - | 62 | 61 | - | - | 58 | - | - | - | - | | | | | | | | | | | | |
| | | | | | | | | | | | - | - | 50 | - | 48 | 47 | 46 | - | - | - | - | 40 | 39 | 38 | - | - | 35 | - | 33 | | | | | | | | | | | | |
| | | | | | | | | | | | | | | | | | | | | | | | | | | - | 31 | - | 29 | - | 27 | - | 25 | 24 | 23 | 22 | 21 | 20 | - | - | 17 |
| | | | | | | | | | | | | | | | | | | | | | | | | | | - | - | 14 | 13 | - | 11 | - | 9 | 8 | 7 | 6 | 5 | 4 | - | 2 | 1 |
| MX123 CONN ASSY 73 CKT BLK OPTO KEY A/39 | 345665753 | C-HSG-A0 | G-CAP-0-P | TPA-A0 | RS | LS | MAL | CPA | MSEAL | RSEAL | 72 | - | - | - | 68 | 67 | 66 | 65 | - | - | 62 | 61 | - | - | 58 | - | - | - | - | | | | | | | | | | | | |
| | | | | | | | | | | | - | - | 50 | - | 48 | 47 | 46 | - | - | - | - | 40 | 39 | 38 | - | - | 35 | - | 33 | | | | | | | | | | | | |
| | | | | | | | | | | | | | | | | | | | | | | | | | | - | 31 | - | 29 | - | 27 | - | 25 | 24 | - | 22 | - | 20 | - | - | 17 |
| | | | | | | | | | | | | | | | | | | | | | | | | | | - | - | 14 | 13 | - | 11 | - | 9 | - | 7 | 6 | 5 | 4 | - | 2 | 1 |
| MX123 CONN ASSY 73 CKT BLU OPTO KEY C/42 | 345665763 | C-HSG-C0 | G-CAP-0-P | TPA-C0 | RS | LS | MAL | CPA | MSEAL | RSEAL | - | 71 | - | 69 | - | 67 | - | 65 | 64 | - | - | 61 | 60 | - | 58 | - | 56 | 55 | 54 | - | | | | | | | | | | | |
| | | | | | | | | | | | - | - | 50 | 49 | - | - | - | 45 | - | 43 | - | 41 | - | - | 38 | - | - | 35 | - | - | | | | | | | | | | | |
| | | | | | | | | | | | | | | | | | | | | | | | | | | - | 31 | - | 29 | 28 | - | - | - | 23 | - | - | - | 19 | 18 | 17 | |
| | | | | | | | | | | | | | | | | | | | | | | | | | | 16 | - | - | - | 12 | 11 | - | - | - | 7 | - | - | - | 3 | - | 1 |
| MX123 CONN ASSY 73 CKT BLU OPTO KEY C/41 | 345665773 | C-HSG-C0 | G-CAP-0-P | TPA-C0 | RS | LS | MAL | CPA | MSEAL | RSEAL | - | 71 | - | 69 | - | 67 | 66 | 65 | 64 | - | - | 61 | 60 | - | - | 56 | 55 | 54 | - | | | | | | | | | | | | |
| | | | | | | | | | | | - | - | 50 | 49 | - | - | 46 | 45 | - | 43 | - | 41 | - | - | 38 | - | - | 35 | - | - | | | | | | | | | | | |
| | | | | | | | | | | | | | | | | | | | | | | | | | | - | 31 | - | 29 | 28 | - | - | - | 23 | - | - | - | 19 | 18 | - | |
| | | | | | | | | | | | | | | | | | | | | | | | | | | 16 | - | - | - | 12 | 11 | 10 | 9 | - | 7 | - | - | - | 3 | - | - |
| MX123 CONN ASSY 73 CKT BLU OPTO KEY C/38 | 345665783 | C-HSG-C0 | G-CAP-0-P | TPA-C0 | RS | LS | MAL | CPA | MSEAL | RSEAL | - | 71 | - | 69 | - | 67 | 66 | 65 | 64 | - | - | 61 | 60 | - | 58 | - | 56 | 55 | 54 | - | | | | | | | | | | | |
| | | | | | | | | | | | - | - | 50 | 49 | - | - | 46 | 45 | - | 43 | - | 41 | - | - | 38 | - | - | 35 | - | - | | | | | | | | | | | |
| | | | | | | | | | | | | | | | | | | | | | | | | | | - | 31 | - | 29 | 28 | - | - | - | 23 | - | - | - | 19 | 18 | 17 | |
| | | | | | | | | | | | | | | | | | | | | | | | | | | 16 | - | - | - | 12 | 11 | 10 | 9 | - | 7 | - | - | - | 3 | - | 1 |
| MX123 CONN ASSY 73 CKT BLK OPTO KEY B/34 | 345665793 | C-HSG-B0 | G-CAP-0-P | TPA-B0 | RS | LS | MAL | CPA | MSEAL | RSEAL | - | 71 | - | 69 | - | 67 | - | 65 | 64 | 63 | 62 | 61 | - | - | 58 | 57 | 56 | - | - | - | | | | | | | | | | | |
| | | | | | | | | | | | - | 51 | - | 49 | - | 47 | - | 45 | 44 | 43 | 42 | 41 | - | - | 38 | 37 | 36 | - | - | - | | | | | | | | | | | |
| | | | | | | | | | | | | | | | | | | | | | | | | | | - | - | - | - | - | - | - | - | 23 | 22 | 21 | 20 | 19 | 18 | - | |
| | | | | | | | | | | | | | | | | | | | | | | | | | | - | 15 | 14 | 13 | 12 | 11 | - | 9 | - | 7 | 6 | 5 | 4 | 3 | - | - |
| MX123 CONN ASSY 73 CKT GRY OPTO KEY B/55 | 345665803 | C-HSG-B0 | G-CAP-0-P | TPA-B0 | RS | LS | MAL | CPA | MSEAL | RSEAL | 72 | 71 | 70 | 69 | 68 | 67 | 66 | - | 64 | 63 | 62 | 61 | 60 | - | 58 | - | 56 | - | 54 | - | | | | | | | | | | | |
| | | | | | | | | | | | 52 | 51 | 50 | - | - | - | 46 | 45 | 44 | 43 | 42 | 41 | 40 | - | 38 | - | 36 | - | 34 | - | | | | | | | | | | | |
| | | | | | | | | | | | | | | | | | | | | | | | | | | 32 | 31 | 30 | - | 28 | 27 | 26 | 25 | 24 | - | 22 | - | 20 | 19 | 18 | - |
| | | | | | | | | | | | | | | | | | | | | | | | | | | 16 | 15 | 14 | 13 | - | 11 | 10 | 9 | 8 | - | 6 | 5 | 4 | 3 | 2 | 1 |

| ASSEMBLY DESCRIPTION | ASSEMBLY PART NUMBER | CONNECTOR HOUSING | GROMMET CAP | TPA | RIGHT SLIDE | LEFT SLIDE | MATE ASSIST LEVER | CPA | MAT SEAL | RING SEAL | BLOCKED TERMINALS | | | | | | | | | | | | | | | | | | STATUS | COMMENTS | INTEGRAL COMPONENTS SOLD SEPARATELY | | | |
|--|----------------------|-------------------|-------------|--------|-------------|------------|-------------------|-----|----------|-----------|--|----|----|----|----|----|----|----|----|----|----|----|----|----|----|----|----|----|--------|----------|-------------------------------------|-----------|-----------|-----------|
| | | | | | | | | | | | CAVITY WITH A NUMBER INDICATES BLOCKED TERMINAL POSITION | | | | | | | | | | | | | | | | | | | | DRESS COVER | | | |
| | | | | | | | | | | | CAVITY WITHOUT A NUMBER INDICATES OPEN TERMINAL POSITION | | | | | | | | | | | | | | | | | | | | | | | |
| MX123 CONN ASSY 73 CKT GRY OPTO KEY B/38 | 345665813 | C-HSG-B0 | G-CAP-0-P | TPA-B0 | RS | LS | MAL | CPA | MSEAL | RSEAL | - | 71 | - | 69 | - | 67 | - | 65 | 64 | 63 | 62 | 61 | - | - | 58 | 57 | 56 | - | - | - | SALEABLE | | 345650003 | |
| | | | | | | | | | | | - | 51 | - | 49 | - | 47 | - | 45 | 44 | 43 | 42 | 41 | - | - | 38 | 37 | 36 | - | - | - | | | | |
| | | | | | | | | | | | - | | | | | | | | | | | | | | | | | | - | 15 | | | | 14 |
| MX123 CONN ASSY 73 CKT BLK OPTO KEY A/21 | 345665823 | C-HSG-A0 | G-CAP-0-P | TPA-A0 | RS | LS | MAL | CPA | MSEAL | RSEAL | - | 71 | - | 69 | 68 | 67 | 66 | 65 | 64 | - | 62 | 61 | 60 | 59 | 58 | 57 | 56 | 55 | 54 | 53 | SALEABLE | | 345650003 | |
| | | | | | | | | | | | - | 51 | 50 | - | 48 | 47 | 46 | 45 | 44 | - | 42 | - | 40 | 39 | 38 | 37 | 36 | 35 | 34 | 33 | | | | |
| | | | | | | | | | | | - | | | | | | | | | | | | | | | | | | 32 | - | | | | - |
| MX123 CONN ASSY 73 CKT BLK OPTO KEY A/22 | 345665833 | C-HSG-A0 | G-CAP-0-P | TPA-A0 | RS | LS | MAL | CPA | MSEAL | RSEAL | - | 71 | - | 69 | 68 | 67 | 66 | 65 | 64 | - | 62 | 61 | 60 | 59 | 58 | 57 | 56 | 55 | 54 | 53 | SALEABLE | | 345650003 | |
| | | | | | | | | | | | - | 51 | 50 | - | 48 | 47 | 46 | 45 | 44 | - | 42 | - | 40 | 39 | 38 | 37 | 36 | 35 | 34 | 33 | | | | |
| | | | | | | | | | | | - | | | | | | | | | | | | | | | | | | 32 | - | | | | - |
| MX123 CONN ASSY 73 CKT BLU OPTO KEY C/36 | 345665863 | C-HSG-C0 | G-CAP-0-P | TPA-C0 | RS | LS | MAL | CPA | MSEAL | RSEAL | - | 71 | - | 69 | 68 | 67 | - | 65 | 64 | - | - | 61 | 60 | - | 58 | - | - | - | 54 | - | SALEABLE | | 345650003 | |
| | | | | | | | | | | | - | - | 50 | 49 | 48 | 47 | - | 45 | - | 43 | - | 41 | - | - | 38 | - | - | 35 | - | - | | | | |
| | | | | | | | | | | | - | | | | | | | | | | | | | | | | | | - | 31 | | | | - |
| MX123 CONN ASSY 73 CKT GRY OPTO KEY B/20 | 345665873 | C-HSG-B0 | G-CAP-0-P | TPA-B0 | RS | LS | MAL | CPA | MSEAL | RSEAL | - | 71 | 70 | 69 | 68 | 67 | 66 | 65 | 64 | 63 | - | - | 60 | 59 | 58 | 57 | 56 | 55 | 54 | 53 | SALEABLE | | 345650003 | |
| | | | | | | | | | | | - | 51 | 50 | 49 | - | - | - | 45 | - | - | 42 | - | - | 39 | 38 | 37 | 36 | 35 | 34 | 33 | | | | |
| | | | | | | | | | | | - | | | | | | | | | | | | | | | | | | 32 | 31 | | | | - |
| MX123 CONN ASSY 73 CKT GRY OPTO KEY B/19 | 345665883 | C-HSG-B0 | G-CAP-0-P | TPA-B0 | RS | LS | MAL | CPA | MSEAL | RSEAL | - | 71 | 70 | 69 | 68 | 67 | 66 | 65 | 64 | 63 | - | - | 60 | 59 | 58 | 57 | 56 | 55 | 54 | 53 | SALEABLE | | 345650003 | |
| | | | | | | | | | | | - | 51 | 50 | 49 | - | - | - | 45 | 44 | - | 42 | - | - | 39 | 38 | 37 | 36 | 35 | 34 | 33 | | | | |
| | | | | | | | | | | | - | | | | | | | | | | | | | | | | | | 32 | 31 | | | | - |
| MX123 CONN ASSY 73 CKT BLU OPTO KEY C/35 | 345665893 | C-HSG-C0 | G-CAP-0-P | TPA-C0 | RS | LS | MAL | CPA | MSEAL | RSEAL | 72 | 71 | 70 | - | 68 | - | - | 65 | 64 | 63 | - | 61 | - | 59 | 58 | - | 56 | - | - | 54 | - | SALEABLE | | 345650003 |
| | | | | | | | | | | | - | - | - | 49 | - | 47 | - | - | - | 43 | - | 41 | 40 | 39 | 38 | - | 36 | - | - | - | | | | |
| | | | | | | | | | | | - | | | | | | | | | | | | | | | | | | - | 31 | 30 | | | |
| MX123 CONN ASSY 73 CKT BLK OPTO KEY A/40 | 345665903 | C-HSG-A0 | G-CAP-0-P | TPA-A0 | RS | LS | MAL | CPA | MSEAL | RSEAL | - | - | 70 | - | - | - | - | 65 | - | - | - | 61 | 60 | - | 58 | 57 | 56 | 55 | 54 | - | SALEABLE | | 345650003 | |
| | | | | | | | | | | | 52 | 51 | 50 | 49 | - | 47 | 46 | 45 | - | - | - | 41 | 40 | - | 38 | 37 | 36 | - | 34 | - | | | | |
| | | | | | | | | | | | - | | | | | | | | | | | | | | | | | | - | 31 | | | | 30 |
| MX123 CONN ASSY 73 CKT BLU OPTO KEY C/34 | 345665913 | C-HSG-C0 | G-CAP-0-P | TPA-C0 | RS | LS | MAL | CPA | MSEAL | RSEAL | 72 | 71 | 70 | - | 68 | - | - | 65 | - | 63 | 62 | - | - | 59 | 58 | - | 56 | 55 | - | 53 | SALEABLE | | 345650003 | |
| | | | | | | | | | | | - | - | - | - | - | 47 | - | - | - | 43 | 42 | - | 40 | 39 | 38 | - | 36 | 35 | - | - | | | | |
| | | | | | | | | | | | - | | | | | | | | | | | | | | | | | | - | 31 | | | | 30 |
| MX123 CONN ASSY 73 CKT BLU OPTO KEY C/38 | 345665933 | C-HSG-C0 | G-CAP-0-P | TPA-C0 | RS | LS | MAL | CPA | MSEAL | RSEAL | - | 71 | - | 69 | - | 67 | - | 65 | 64 | - | - | 61 | 60 | - | 58 | - | - | - | 54 | - | SALEABLE | | 345650003 | |
| | | | | | | | | | | | - | - | 50 | 49 | - | - | - | 45 | - | 43 | - | 41 | - | - | 38 | 37 | 36 | 35 | - | - | | | | |
| | | | | | | | | | | | - | | | | | | | | | | | | | | | | | | - | 31 | | | | - |
| MX123 CONN ASSY 73 CKT BLU OPTO KEY C/41 | 345665943 | C-HSG-C0 | G-CAP-0-P | TPA-C0 | RS | LS | MAL | CPA | MSEAL | RSEAL | - | 71 | - | 69 | - | - | - | 65 | 64 | - | - | 61 | 60 | - | 58 | - | - | - | 54 | - | SALEABLE | | 345650003 | |
| | | | | | | | | | | | - | - | 50 | - | - | - | - | 45 | - | 43 | - | 41 | - | - | 38 | 37 | 36 | 35 | - | - | | | | |
| | | | | | | | | | | | - | | | | | | | | | | | | | | | | | | - | 31 | | | | - |
| MX123 CONN ASSY 73 CKT BLK OPTO KEY A/45 | 345665953 | C-HSG-A0 | G-CAP-0-P | TPA-A0 | RS | LS | MAL | CPA | MSEAL | RSEAL | 72 | - | - | - | 68 | 67 | 66 | - | - | - | - | - | - | 59 | - | - | - | - | - | SALEABLE | | 345650003 | | |
| | | | | | | | | | | | - | - | 50 | - | - | - | 46 | - | - | - | - | - | 40 | 39 | 38 | - | - | 35 | - | | | | 33 | |
| | | | | | | | | | | | - | | | | | | | | | | | | | | | | | | - | | | | 31 | - |

| ASSEMBLY DESCRIPTION | ASSEMBLY PART NUMBER | CONNECTOR HOUSING | GROMMET CAP | TPA | RIGHT SLIDE | LEFT SLIDE | MATE ASSIST LEVER | CPA | MAT SEAL | RING SEAL | BLOCKED TERMINALS | | | | | | | | | | | | | | | | | | STATUS | COMMENTS | INTEGRAL COMPONENTS SOLD SEPARATELY | | |
|--|----------------------|-------------------|-------------|--------|-------------|------------|-------------------|-----|----------|-----------|--|----|----|----|----|----|----|----|----|----|----|----|----|----|----|----|----|----|--------|----------|-------------------------------------|-----------|-----------|
| | | | | | | | | | | | CAVITY WITH A NUMBER INDICATES BLOCKED TERMINAL POSITION | | | | | | | | | | | | | | | | | | | | DRESS COVER | | |
| | | | | | | | | | | | CAVITY WITHOUT A NUMBER INDICATES OPEN TERMINAL POSITION | | | | | | | | | | | | | | | | | | | | | | |
| MX123 CONN ASSY 73 CKT BLU OPT0 KEY C/38 | 345666083 | C-HSG-C0 | G-CAP-0-P | TPA-C0 | RS | LS | MAL | CPA | MSEAL | RSEAL | - | 71 | - | 69 | - | - | - | 65 | 64 | - | - | 61 | 60 | - | 58 | - | 56 | 55 | 54 | - | SALEABLE | | 345650003 |
| | | | | | | | | | | | - | - | 50 | 49 | - | - | - | 45 | - | 43 | - | 41 | - | - | 38 | - | - | 35 | - | - | | | |
| | | | | | | | | | | | | | | | - | 31 | - | 29 | 28 | 27 | - | - | 24 | 23 | - | - | 20 | 19 | 18 | 17 | | | |
| | | | | | | | | | | | 16 | - | - | 13 | 12 | 11 | - | - | 8 | 7 | - | - | - | 3 | - | 1 | | | | | | | |
| MX123 CONN ASSY 73 CKT GRY OPT0 KEY B/22 | 345666093 | C-HSG-B0 | G-CAP-0-P | TPA-B0 | RS | LS | MAL | CPA | MSEAL | RSEAL | - | 71 | - | 69 | 68 | - | 66 | 65 | 64 | - | - | - | - | 58 | 57 | 56 | 55 | 54 | 53 | SALEABLE | | 345650003 | |
| | | | | | | | | | | | - | 51 | 50 | 49 | 48 | 47 | - | 45 | 44 | - | 42 | - | - | 39 | 38 | 37 | 36 | 35 | 34 | | | | 33 |
| | | | | | | | | | | | | | | | 32 | 31 | 30 | 29 | 28 | - | 26 | 25 | 24 | 23 | 22 | 21 | - | - | - | | | | 17 |
| | | | | | | | | | | | - | 15 | - | 13 | 12 | - | 10 | 9 | 8 | 7 | 6 | 5 | - | 3 | 2 | 1 | | | | | | | |
| MX123 CONN ASSY 73 CKT GRY OPT0 KEY B/51 | 345666103 | C-HSG-B0 | G-CAP-0-P | TPA-B0 | RS | LS | MAL | CPA | MSEAL | RSEAL | 72 | 71 | 70 | 69 | 68 | - | - | - | 64 | 63 | - | 61 | 60 | - | 58 | - | 56 | - | 54 | - | SALEABLE | | 345650003 |
| | | | | | | | | | | | 52 | 51 | 50 | - | - | - | 46 | 45 | 44 | 43 | - | 41 | 40 | - | 38 | - | 36 | - | 34 | - | | | |
| | | | | | | | | | | | | | | | 32 | 31 | 30 | - | 28 | 27 | - | 25 | 24 | - | 22 | - | 20 | 19 | 18 | 17 | | | |
| | | | | | | | | | | | 16 | 15 | 14 | 13 | 12 | 11 | 10 | - | 8 | - | 6 | 5 | 4 | 3 | 2 | 1 | | | | | | | |
| MX123 CONN ASSY 73 CKT BLK OPT0 KEY A/66 | 345666113 | C-HSG-A0 | G-CAP-0-P | TPA-A0 | RS | LS | MAL | CPA | MSEAL | RSEAL | - | - | - | - | - | 67 | - | - | - | - | - | - | - | 59 | - | - | - | - | - | SALEABLE | | 345650003 | |
| | | | | | | | | | | | - | - | - | - | - | 47 | - | - | - | - | - | - | - | - | - | - | - | 35 | - | | | | - |
| | | | | | | | | | | | | | | | - | - | - | - | - | - | - | - | 24 | - | - | - | - | - | - | | | | 17 |
| | | | | | | | | | | | - | - | - | - | - | - | - | - | - | - | - | - | - | - | - | - | 1 | | | | | | |
| MX123 CONN ASSY 73 CKT BLU OPT0 KEY C/33 | 345666123 | C-HSG-C0 | G-CAP-0-P | TPA-C0 | RS | LS | MAL | CPA | MSEAL | RSEAL | 72 | 71 | 70 | - | 68 | - | - | 65 | - | 63 | - | 61 | - | 59 | 58 | - | 56 | 55 | - | 53 | SALEABLE | | 345650003 |
| | | | | | | | | | | | - | - | - | 49 | - | 47 | - | - | - | 43 | - | 41 | 40 | 39 | 38 | - | 36 | 35 | - | - | | | |
| | | | | | | | | | | | | | | | 32 | 31 | 30 | 29 | - | - | - | 25 | 24 | 23 | 22 | 21 | 20 | 19 | 18 | 17 | | | |
| | | | | | | | | | | | - | - | - | - | - | - | - | - | - | - | - | - | 6 | 5 | 4 | 3 | 2 | 1 | | | | | |
| MX123 CONN ASSY 73 CKT BLU OPT9 KEY C/38 | 345666133 | C-HSG-C9 | G-CAP-9-P | TPA-C9 | RS | LS | MAL | CPA | MSEAL | RSEAL | - | 71 | - | 69 | - | - | 66 | 65 | 64 | - | - | 61 | 60 | - | 58 | - | 56 | 55 | 54 | - | SALEABLE | | 345650003 |
| | | | | | | | | | | | - | - | 50 | 49 | - | - | 46 | 45 | - | 43 | - | 41 | - | - | - | - | 35 | - | - | | | | |
| | | | | | | | | | | | | | | | - | 31 | - | 29 | 28 | 27 | - | - | 23 | - | - | 20 | 19 | 18 | 17 | | | | |
| | | | | | | | | | | | 16 | - | - | 13 | 12 | 11 | 10 | - | 7 | - | - | - | 3 | - | 1 | | | | | | | | |
| MX123 CONN ASSY 73 CKT GRY OPT9 KEY B/33 | 345666173 | C-HSG-B9 | G-CAP-9-P | TPA-B9 | RS | LS | MAL | CPA | MSEAL | RSEAL | 72 | 71 | 70 | 69 | 68 | - | - | 65 | 64 | 63 | 62 | 61 | 60 | 59 | 58 | 57 | 56 | 55 | 54 | 53 | SALEABLE | | 345650003 |
| | | | | | | | | | | | 52 | 51 | 50 | 49 | - | - | 46 | 45 | 44 | 43 | 42 | - | 40 | 39 | 38 | 37 | 36 | 35 | 34 | 33 | | | |
| | | | | | | | | | | | | | | | - | - | - | - | 28 | - | - | - | 23 | - | - | 20 | - | - | - | | | | |
| | | | | | | | | | | | - | - | - | - | 12 | - | - | - | - | - | - | - | - | - | - | 2 | - | | | | | | |
| MX123 CONN ASSY 73 CKT BLK OPT9 KEY A/32 | 345666183 | C-HSG-A9 | G-CAP-9-P | TPA-A9 | RS | LS | MAL | CPA | MSEAL | RSEAL | 72 | 71 | 70 | 69 | 68 | 67 | - | 65 | 64 | 63 | 62 | 61 | 60 | 59 | 58 | 57 | 56 | 55 | 54 | 53 | SALEABLE | | 345650003 |
| | | | | | | | | | | | 52 | 51 | 50 | 49 | - | - | 46 | 45 | 44 | 43 | 42 | - | 40 | 39 | 38 | 37 | 36 | 35 | 34 | 33 | | | |
| | | | | | | | | | | | | | | | - | - | - | - | 28 | - | - | - | 23 | - | - | 20 | - | - | - | | | | |
| | | | | | | | | | | | - | - | - | - | 12 | - | - | - | - | - | - | - | - | - | - | 2 | - | | | | | | |
| MX123 CONN ASSY 73 CKT GRY OPT9 KEY B/57 | 345666193 | C-HSG-B9 | G-CAP-9-P | TPA-B9 | RS | LS | MAL | CPA | MSEAL | RSEAL | - | - | - | - | - | - | - | - | - | 63 | - | - | - | - | - | - | - | - | 53 | SALEABLE | | 345650003 | |
| | | | | | | | | | | | - | - | - | - | 48 | 47 | - | 45 | - | 43 | 42 | - | 39 | - | - | - | 35 | 34 | 33 | | | | |
| | | | | | | | | | | | | | | | - | - | - | - | - | - | - | - | 23 | 22 | - | - | 19 | - | - | | | | |
| | | | | | | | | | | | - | - | - | - | 11 | - | - | - | - | - | - | - | - | - | - | - | 1 | | | | | | |
| MX123 CONN ASSY 73 CKT BLK OPT0 KEY A/33 | 345666203 | C-HSG-A0 | G-CAP-0-P | TPA-A0 | RS | LS | MAL | CPA | MSEAL | RSEAL | 72 | - | - | - | - | 67 | 66 | - | - | - | 62 | - | 60 | - | 58 | - | - | 55 | 54 | 53 | SALEABLE | | 345650003 |
| | | | | | | | | | | | - | - | - | - | 48 | - | 46 | 45 | 44 | 43 | 42 | - | 40 | 39 | - | - | - | 35 | - | - | | | |
| | | | | | | | | | | | | | | | - | - | - | - | - | - | 26 | 25 | - | - | 22 | 21 | - | - | - | 17 | | | |
| | | | | | | | | | | | - | 15 | 14 | - | - | - | - | - | 8 | 7 | 6 | 5 | 4 | 3 | 2 | - | | | | | | | |
| MX123 CONN ASSY 73 CKT BLK OPT9 KEY A/33 | 345666213 | C-HSG-A9 | G-CAP-9-P | TPA-A9 | RS | LS | MAL | CPA | MSEAL | RSEAL | 72 | 71 | 70 | 69 | 68 | - | - | 65 | 64 | 63 | 62 | 61 | 60 | 59 | 58 | 57 | 56 | 55 | 54 | 53 | SALEABLE | | 345650003 |
| | | | | | | | | | | | 52 | 51 | 50 | 49 | - | - | 46 | 45 | 44 | 43 | 42 | - | 40 | 39 | 38 | 37 | 36 | 35 | 34 | 33 | | | |
| | | | | | | | | | | | | | | | - | - | - | - | 28 | - | - | - | 23 | - | - | 20 | - | - | - | | | | |
| | | | | | | | | | | | - | - | - | - | 12 | - | - | - | - | - | - | - | - | - | - | 2 | - | | | | | | |
| MX123 CONN ASSY 73 CKT BLU OPT9 KEY C/36 | 345666223 | C-HSG-C9 | G-CAP-9-P | TPA-C9 | RS | LS | MAL | CPA | MSEAL | RSEAL | - | 71 | - | 69 | - | 67 | - | 65 | 64 | - | - | 61 | 60 | - | 58 | - | 56 | 55 | 54 | - | SALEABLE | | 345650003 |
| | | | | | | | | | | | - | - | 50 | 49 | - | - | - | 45 | - | 43 | 42 | 41 | - | - | 38 | 37 | 36 | 35 | - | - | | | |
| | | | | | | | | | | | | | | | - | 31 | - | 29 | 28 | - | - | - | 24 | 23 | - | - | - | 19 | 18 | 17 | | | |
| | | | | | | | | | | | 16 | - | - | - | 12 | 11 | - | - | 8 | 7 | - | - | - | 3 | 2 | 1 | | | | | | | |

| ASSEMBLY DESCRIPTION | ASSEMBLY PART NUMBER | CONNECTOR HOUSING | GROMMET CAP | TPA | RIGHT SLIDE | LEFT SLIDE | MATE ASSIST LEVER | CPA | MAT SEAL | RING SEAL | BLOCKED TERMINALS | | | | | | | | | | | | | | | | | | STATUS | COMMENTS | INTEGRAL COMPONENTS SOLD SEPARATELY | | |
|--|----------------------|-------------------|-------------|--------|-------------|------------|-------------------|-----|----------|-----------|--|----|----|----|----|----|----|----|----|----|----|----|----|----|----|----|----|----|--------|----------|-------------------------------------|----|----|
| | | | | | | | | | | | CAVITY WITH A NUMBER INDICATES BLOCKED TERMINAL POSITION | | | | | | | | | | | | | | | | | | | | DRESS COVER | | |
| | | | | | | | | | | | CAVITY WITHOUT A NUMBER INDICATES OPEN TERMINAL POSITION | | | | | | | | | | | | | | | | | | | | | | |
| MX123 CONN ASSY 73 CKT GRY OPT9 KEY B/34 | 345666233 | C-HSG-B9 | G-CAP-9-P | TPA-B9 | RS | LS | MAL | CPA | MSEAL | RSEAL | - | 71 | - | 69 | - | 67 | - | 65 | 64 | 63 | 62 | 61 | - | - | 58 | 57 | 56 | - | - | - | | | |
| | | | | | | | | | | | - | 51 | - | 49 | - | 47 | - | 45 | 44 | 43 | 42 | 41 | - | - | 38 | 37 | 36 | - | - | - | | | |
| | | | | | | | | | | | - | | | | | | | | | | | | | | | | | | - | 15 | 14 | 13 | 12 |
| MX123 CONN ASSY 73 CKT BLK OPT9 KEY A/39 | 345666243 | C-HSG-A9 | G-CAP-9-P | TPA-A9 | RS | LS | MAL | CPA | MSEAL | RSEAL | 72 | - | - | - | 68 | 67 | 66 | 65 | - | - | 62 | 61 | - | - | - | - | - | - | - | - | | | |
| | | | | | | | | | | | - | - | - | - | 48 | 47 | 46 | - | - | - | - | 40 | - | 38 | - | - | 35 | - | 33 | | | | |
| | | | | | | | | | | | - | | | | | | | | | | | | | | | | | | - | 31 | - | 29 | - |
| MX123 CONN ASSY 73 CKT BLU OPT9 KEY C/43 | 345666253 | C-HSG-C9 | G-CAP-9-P | TPA-C9 | RS | LS | MAL | CPA | MSEAL | RSEAL | - | 71 | - | 69 | - | - | - | 65 | 64 | - | - | 61 | 60 | - | 58 | - | 56 | 55 | 54 | - | | | |
| | | | | | | | | | | | - | - | 50 | - | - | - | 45 | - | 43 | 42 | 41 | - | - | 38 | - | - | 35 | - | - | | | | |
| | | | | | | | | | | | - | | | | | | | | | | | | | | | | | | - | 31 | - | 29 | 28 |
| MX123 CONN ASSY 73 CKT GRY OPT9 KEY B/53 | 345666263 | C-HSG-B9 | G-CAP-9-P | TPA-B9 | RS | LS | MAL | CPA | MSEAL | RSEAL | - | - | - | 69 | - | - | - | 65 | 64 | 63 | - | - | - | - | - | - | - | - | | | | | |
| | | | | | | | | | | | - | - | - | 49 | - | - | - | 45 | 44 | 43 | - | - | - | - | - | - | - | - | - | | | | |
| | | | | | | | | | | | - | | | | | | | | | | | | | | | | | | - | - | - | - | 12 |
| MX123 CONN ASSY 73 CKT GRY OPT9 KEY B/48 | 345666273 | C-HSG-B9 | G-CAP-9-P | TPA-B9 | RS | LS | MAL | CPA | MSEAL | RSEAL | 72 | - | - | - | 68 | 67 | 66 | - | - | - | - | - | 59 | - | - | - | - | - | | | | | |
| | | | | | | | | | | | - | - | - | - | - | - | 46 | - | - | - | - | 40 | - | 38 | - | - | 35 | - | 33 | | | | |
| | | | | | | | | | | | - | | | | | | | | | | | | | | | | | | - | 31 | - | - | - |
| MX123 CONN ASSY 73 CKT BLU OPT9 KEY C/35 | 345666283 | C-HSG-C9 | G-CAP-9-P | TPA-C9 | RS | LS | MAL | CPA | MSEAL | RSEAL | - | 71 | - | 69 | - | - | - | 65 | 64 | - | - | 61 | 60 | - | 58 | - | 56 | 55 | 54 | - | | | |
| | | | | | | | | | | | - | - | 50 | 49 | - | - | - | 45 | - | 43 | 42 | 41 | - | - | 38 | 37 | 36 | 35 | - | - | | | |
| | | | | | | | | | | | - | | | | | | | | | | | | | | | | | | - | 31 | - | 29 | 28 |
| MX123 CONN ASSY 73 CKT GRY OPT9 KEY B/51 | 345666293 | C-HSG-B9 | G-CAP-9-P | TPA-B9 | RS | LS | MAL | CPA | MSEAL | RSEAL | - | - | - | 69 | - | - | - | 65 | 64 | 63 | - | - | - | - | - | - | - | - | | | | | |
| | | | | | | | | | | | - | - | - | 49 | - | - | - | 45 | 44 | 43 | - | - | - | - | - | - | - | - | - | | | | |
| | | | | | | | | | | | - | | | | | | | | | | | | | | | | | | - | - | - | - | 12 |
| MX123 CONN ASSY 73 CKT BLK OPT0 KEY A/32 | 345666303 | C-HSG-A0 | G-CAP-0-P | TPA-A0 | RS | LS | MAL | CPA | MSEAL | RSEAL | 72 | - | - | - | - | 67 | 66 | - | - | - | 62 | - | 60 | - | 58 | - | - | 55 | 54 | 53 | | | |
| | | | | | | | | | | | - | - | - | - | 48 | - | 46 | 45 | 44 | 43 | 42 | - | 40 | 39 | - | - | - | 35 | - | - | | | |
| | | | | | | | | | | | - | | | | | | | | | | | | | | | | | | - | 15 | 14 | - | - |
| MX123 CONN ASSY 73 CKT GRY OPT9 KEY B/40 | 345666313 | C-HSG-B9 | G-CAP-9-P | TPA-B9 | RS | LS | MAL | CPA | MSEAL | RSEAL | 72 | 71 | - | - | 68 | 67 | 66 | 65 | 64 | - | - | - | - | 59 | - | - | - | - | - | | | | |
| | | | | | | | | | | | - | - | - | - | 48 | 47 | 46 | 45 | - | - | - | - | 40 | - | 38 | - | - | 35 | - | 33 | | | |
| | | | | | | | | | | | - | | | | | | | | | | | | | | | | | | - | 31 | 30 | - | - |
| MX123 CONN ASSY 73 CKT GRY OPT9 KEY B/39 | 345666323 | C-HSG-B9 | G-CAP-9-P | TPA-B9 | RS | LS | MAL | CPA | MSEAL | RSEAL | 72 | - | - | - | 68 | 67 | 66 | 65 | 64 | - | - | 62 | 61 | - | - | - | - | - | - | | | | |
| | | | | | | | | | | | - | - | - | - | 48 | 47 | 46 | - | - | - | - | 40 | - | 38 | - | - | 35 | - | 33 | | | | |
| | | | | | | | | | | | - | | | | | | | | | | | | | | | | | | - | 31 | - | 29 | - |
| MX123 CONN ASSY 73 CKT BLU OPT9 KEY C/40 | 345666333 | C-HSG-C9 | G-CAP-9-P | TPA-C9 | RS | LS | MAL | CPA | MSEAL | RSEAL | - | 71 | - | 69 | - | - | - | 65 | 64 | - | - | 61 | 60 | - | 58 | - | - | - | 54 | - | | | |
| | | | | | | | | | | | - | - | 50 | 49 | - | - | - | 45 | - | 43 | 42 | 41 | - | - | 38 | 37 | 36 | 35 | - | - | | | |
| | | | | | | | | | | | - | | | | | | | | | | | | | | | | | | - | 31 | - | 29 | 28 |
| MX123 CONN ASSY 73 CKT BLK OPT9 KEY A/44 | 345666343 | C-HSG-A9 | G-CAP-9-P | TPA-A9 | RS | LS | MAL | CPA | MSEAL | RSEAL | 72 | 71 | - | - | 68 | 67 | 66 | 65 | 64 | - | - | - | - | 59 | - | - | - | - | - | | | | |
| | | | | | | | | | | | - | - | - | - | 48 | 47 | 46 | 45 | - | - | - | - | - | 38 | - | - | 35 | - | 33 | | | | |
| | | | | | | | | | | | - | | | | | | | | | | | | | | | | | | - | 31 | 30 | - | - |

| ASSEMBLY DESCRIPTION | ASSEMBLY PART NUMBER | CONNECTOR HOUSING | GROMMET CAP | TPA | RIGHT SLIDE | LEFT SLIDE | MATE ASSIST LEVER | CPA | MAT SEAL | RING SEAL | BLOCKED TERMINALS | | | | | | | | | | | | | | | | | | STATUS | COMMENTS | INTEGRAL COMPONENTS SOLD SEPARATELY |
|--|----------------------|-------------------|-------------|--------|-------------|------------|-------------------|-----|----------|-----------|--|----|----|----|----|----|----|----|----|----|----|----|----|----|----|----|----|----|--------|----------|-------------------------------------|
| | | | | | | | | | | | CAVITY WITH A NUMBER INDICATES BLOCKED TERMINAL POSITION | | | | | | | | | | | | | | | | | | | | DRESS COVER |
| | | | | | | | | | | | CAVITY WITHOUT A NUMBER INDICATES OPEN TERMINAL POSITION | | | | | | | | | | | | | | | | | | | | |
| MX123 CONN ASSY 73 CKT BLU OPT9 KEY C/43 | 345666353 | C-HSG-C9 | G-CAP-9-P | TPA-C9 | RS | LS | MAL | CPA | MSEAL | RSEAL | - | 71 | - | 69 | - | 67 | - | 65 | 64 | - | - | 61 | 60 | - | - | - | - | - | 54 | - | |
| | | | | | | | | | | | - | - | 50 | 49 | - | - | - | 45 | - | 43 | 42 | 41 | - | - | 38 | 37 | 36 | 35 | - | - | |
| | | | | | | | | | | | | | | | - | 31 | - | 29 | 28 | - | - | - | 24 | - | - | - | - | 19 | 18 | - | |
| | | | | - | 16 | - | - | - | 12 | 11 | - | - | 8 | - | - | - | - | 3 | 2 | - | | | | | | | | | | | |
| MX123 CONN ASSY 73 CKT GRY OPT9 KEY B/38 | 345666363 | C-HSG-B9 | G-CAP-9-P | TPA-B9 | RS | LS | MAL | CPA | MSEAL | RSEAL | - | 71 | - | 69 | - | 67 | - | 65 | 64 | 63 | 62 | 61 | - | - | 58 | 57 | 56 | - | - | - | |
| | | | | | | | | | | | - | 51 | - | 49 | - | 47 | - | 45 | 44 | 43 | 42 | 41 | - | - | 38 | 37 | 36 | - | - | - | |
| | | | | | | | | | | | | | | | - | - | - | - | - | - | - | - | - | 22 | 21 | 20 | - | - | - | | |
| | | | | - | 15 | 14 | 13 | 12 | 11 | - | 9 | - | - | 6 | 5 | 4 | 3 | - | - | | | | | | | | | | | | |
| MX123 CONN ASSY 73 CKT BLK OPT9 KEY A/50 | 345666373 | C-HSG-A9 | G-CAP-9-P | TPA-A9 | RS | LS | MAL | CPA | MSEAL | RSEAL | - | - | - | - | 68 | - | 66 | 65 | - | - | 62 | 61 | - | - | - | - | - | - | - | | |
| | | | | | | | | | | | - | - | - | - | 48 | - | 46 | - | - | - | - | - | - | 38 | - | - | 35 | - | 33 | | |
| | | | | | | | | | | | | | | | - | 31 | - | 29 | - | 27 | - | 25 | 24 | - | 22 | - | 20 | - | - | | |
| | | | | - | - | - | 13 | - | 11 | - | 9 | - | 7 | 6 | - | 4 | - | - | | | | | | | | | | | | | |
| MX123 CONN ASSY 73 CKT BLK OPT9 KEY A/52 | 345666383 | C-HSG-A9 | G-CAP-9-P | TPA-A9 | RS | LS | MAL | CPA | MSEAL | RSEAL | - | - | - | - | - | 67 | - | - | - | - | 62 | - | - | 59 | 58 | - | - | 55 | - | - | |
| | | | | | | | | | | | - | - | - | - | - | 47 | - | - | - | - | - | - | - | - | - | 35 | - | - | | | |
| | | | | | | | | | | | | | | | - | - | - | - | - | 27 | 26 | 25 | 24 | - | - | - | 20 | 19 | 18 | 17 | |
| | | | | - | 16 | - | - | - | - | 11 | 10 | - | 8 | - | - | - | 4 | 3 | - | - | | | | | | | | | | | |
| MX123 CONN ASSY 73 CKT BLU OPT9 KEY C/47 | 345666393 | C-HSG-C9 | G-CAP-9-P | TPA-C9 | RS | LS | MAL | CPA | MSEAL | RSEAL | 72 | - | - | - | 68 | - | - | - | - | 63 | - | - | - | 59 | - | - | 56 | - | - | 53 | |
| | | | | | | | | | | | - | - | - | - | - | - | - | - | - | 43 | - | - | 40 | 39 | - | - | 36 | - | - | | |
| | | | | | | | | | | | | | | | - | 31 | 30 | 29 | - | - | - | - | 24 | 23 | 22 | 21 | 20 | - | - | | |
| | | | | - | - | - | - | - | - | - | - | - | 8 | 7 | 6 | 5 | 4 | 3 | 2 | 1 | | | | | | | | | | | |
| MX123 CONN ASSY 73 CKT BLK OPT0 KEY A/34 | 345666403 | C-HSG-A0 | G-CAP-0-P | TPA-A0 | RS | LS | MAL | CPA | MSEAL | RSEAL | 72 | - | 70 | - | - | 67 | 66 | - | - | - | 62 | - | 60 | - | - | 57 | - | 55 | 54 | 53 | |
| | | | | | | | | | | | - | 51 | - | - | 48 | - | 46 | 45 | 44 | 43 | 42 | - | 40 | 39 | - | - | - | 35 | - | - | |
| | | | | | | | | | | | | | | | - | - | - | - | - | - | 26 | 25 | - | - | 22 | 21 | - | - | - | | |
| | | | | - | 15 | 14 | - | - | - | - | - | - | 8 | 7 | 6 | 5 | 4 | 3 | 2 | - | | | | | | | | | | | |
| MX123 CONN ASSY 73 CKT GRY OPT9 KEY B/35 | 345666413 | C-HSG-B9 | G-CAP-9-P | TPA-B9 | RS | LS | MAL | CPA | MSEAL | RSEAL | - | 71 | 70 | 69 | - | - | 66 | 65 | 64 | - | - | - | - | - | 58 | 57 | 56 | - | 54 | 53 | |
| | | | | | | | | | | | - | 51 | 50 | 49 | - | - | - | 45 | - | - | 42 | - | - | 39 | - | - | - | - | 34 | 33 | |
| | | | | | | | | | | | | | | | 32 | 31 | - | 29 | 28 | - | 26 | 25 | 24 | 23 | 22 | 21 | - | - | - | | |
| | | | | - | - | - | 13 | 12 | - | 10 | 9 | - | 7 | 6 | 5 | - | 3 | 2 | - | | | | | | | | | | | | |
| MX123 CONN ASSY 73 CKT BLU OPT9 KEY C/41 | 345666423 | C-HSG-C9 | G-CAP-9-P | TPA-C9 | RS | LS | MAL | CPA | MSEAL | RSEAL | - | - | - | - | 68 | - | - | - | - | 63 | 62 | 61 | 60 | 59 | 58 | 57 | - | 55 | - | 53 | |
| | | | | | | | | | | | - | - | - | - | 48 | - | - | - | - | 43 | 42 | 41 | 40 | - | - | 37 | 36 | 35 | - | 33 | |
| | | | | | | | | | | | | | | | 32 | - | - | - | - | 27 | - | - | 24 | - | - | - | 20 | 19 | 18 | - | |
| | | | | - | - | - | - | - | 11 | 10 | - | 8 | - | - | - | 4 | 3 | 2 | 1 | | | | | | | | | | | | |
| MX123 CONN ASSY 73 CKT BLK OPT9 KEY A/36 | 345666433 | C-HSG-A9 | G-CAP-9-P | TPA-A9 | RS | LS | MAL | CPA | MSEAL | RSEAL | - | 71 | - | 69 | 68 | - | 66 | 65 | 64 | - | 62 | 61 | - | - | - | - | - | 54 | 53 | | |
| | | | | | | | | | | | - | - | 50 | 49 | - | - | - | 45 | 44 | - | - | 41 | - | - | - | - | - | 34 | 33 | | |
| | | | | | | | | | | | | | | | 32 | 31 | 30 | 29 | - | - | 26 | 25 | 24 | 23 | - | - | 20 | 19 | - | - | |
| | | | | 16 | 15 | 14 | 13 | - | - | 10 | - | 8 | - | 6 | 5 | 4 | 3 | - | - | | | | | | | | | | | | |
| MX123 CONN ASSY 73 CKT GRY OPT9 KEY B/64 | 345666443 | C-HSG-B9 | G-CAP-9-P | TPA-B9 | RS | LS | MAL | CPA | MSEAL | RSEAL | - | - | - | - | - | - | - | - | - | - | 62 | - | - | 59 | 58 | - | - | - | 54 | 53 | |
| | | | | | | | | | | | - | - | - | - | - | - | - | - | - | - | 42 | - | - | 39 | - | - | - | - | - | | |
| | | | | | | | | | | | | | | | - | - | - | - | - | 27 | - | - | - | - | - | - | - | - | - | | |
| | | | | - | - | - | - | - | - | 10 | - | - | - | - | - | - | - | - | - | | | | | | | | | | | | |
| MX123 CONN ASSY 73 CKT BLU OPT0 KEY C/43 | 345666453 | C-HSG-C0 | G-CAP-0-P | TPA-C0 | RS | LS | MAL | CPA | MSEAL | RSEAL | 72 | - | - | - | 68 | - | 66 | - | - | 63 | - | - | - | 59 | 58 | - | 56 | 55 | - | 53 | |
| | | | | | | | | | | | - | - | - | - | - | - | - | - | - | 43 | - | - | 40 | 39 | 38 | - | 36 | 35 | - | - | |
| | | | | | | | | | | | | | | | - | 31 | 30 | 29 | - | - | - | - | 24 | 23 | 22 | 21 | 20 | 19 | - | - | |
| | | | | - | - | - | - | - | - | - | - | - | - | 6 | 5 | 4 | 3 | 2 | 1 | | | | | | | | | | | | |
| MX123 CONN ASSY 73 CKT GRY OPT0 KEY B/23 | 345666463 | C-HSG-B0 | G-CAP-0-P | TPA-B0 | RS | LS | MAL | CPA | MSEAL | RSEAL | - | 71 | 70 | 69 | - | - | 66 | 65 | 64 | 63 | - | - | 60 | 59 | 58 | 57 | 56 | - | 54 | 53 | |
| | | | | | | | | | | | - | 51 | 50 | 49 | - | - | - | 45 | 44 | - | 42 | 41 | - | 39 | 38 | 37 | 36 | 35 | 34 | 33 | |
| | | | | | | | | | | | | | | | 32 | 31 | - | 29 | 28 | 27 | 26 | 25 | 24 | 23 | 22 | 21 | - | - | - | 17 | |
| | | | | - | - | - | 13 | 12 | 11 | 10 | 9 | - | 7 | 6 | 5 | - | 3 | - | 1 | | | | | | | | | | | | |

| ASSEMBLY DESCRIPTION | ASSEMBLY PART NUMBER | CONNECTOR HOUSING | GROMMET CAP | TPA | RIGHT SLIDE | LEFT SLIDE | MATE ASSIST LEVER | CPA | MAT SEAL | RING SEAL | BLOCKED TERMINALS | | | | | | | | | | | | | | | | | | | STATUS | COMMENTS | INTEGRAL COMPONENTS SOLD SEPARATELY | |
|--|----------------------|-------------------|-------------|--------|-------------|------------|-------------------|-----|----------|-----------|--|----|----|----|----|----|----|----|----|----|----|----|----|----|----|----|----|----|----|----------|----------|-------------------------------------|-----------|
| | | | | | | | | | | | CAVITY WITH A NUMBER INDICATES BLOCKED TERMINAL POSITION | | | | | | | | | | | | | | | | | | | | | DRESS COVER | |
| | | | | | | | | | | | CAVITY WITHOUT A NUMBER INDICATES OPEN TERMINAL POSITION | | | | | | | | | | | | | | | | | | | | | | |
| MX123 CONN ASSY 73 CKT BLU OPT9 KEY C/40 | 345666473 | C-HSG-C9 | G-CAP-9-P | TPA-C9 | RS | LS | MAL | CPA | MSEAL | RSEAL | 72 | 71 | - | - | 68 | - | - | 65 | - | 63 | - | 61 | - | 59 | 58 | - | 56 | - | - | 53 | SALEABLE | | 345650003 |
| | | | | | | | | | | | - | - | - | 49 | - | 47 | - | - | - | 43 | - | 41 | 40 | 39 | 38 | - | 36 | - | - | - | | | |
| | | | | | | | | | | | - | | | | | | | | | | | | | | | | | | | | | | |
| MX123 CONN ASSY 73 CKT BLK OPT9 KEY A/52 | 345666483 | C-HSG-A9 | G-CAP-9-P | TPA-A9 | RS | LS | MAL | CPA | MSEAL | RSEAL | - | - | - | - | - | 67 | - | - | - | - | 62 | - | - | 59 | 58 | - | - | 55 | - | - | SALEABLE | | 345650003 |
| | | | | | | | | | | | - | - | - | - | - | 47 | - | - | - | - | 42 | 41 | - | - | - | - | - | 35 | - | - | | | |
| | | | | | | | | | | | - | | | | | | | | | | | | | | | | | | | | | | |
| MX123 CONN ASSY 73 CKT GRY OPT9 KEY B/22 | 345666493 | C-HSG-B9 | G-CAP-9-P | TPA-B9 | RS | LS | MAL | CPA | MSEAL | RSEAL | - | 71 | - | 69 | 68 | 67 | 66 | 65 | 64 | 63 | - | - | 60 | 59 | 58 | 57 | 56 | - | 54 | 53 | SALEABLE | | 345650003 |
| | | | | | | | | | | | - | 51 | 50 | 49 | - | - | - | 45 | 44 | - | 42 | - | - | 39 | 38 | 37 | 36 | 35 | 34 | 33 | | | |
| | | | | | | | | | | | - | | | | | | | | | | | | | | | | | | | | | | |
| MX123 CONN ASSY 73 CKT BLK OPT0 KEY A/33 | 345666503 | C-HSG-A0 | G-CAP-0-P | TPA-A0 | RS | LS | MAL | CPA | MSEAL | RSEAL | 72 | - | 70 | - | - | 67 | 66 | - | - | - | 62 | - | 60 | - | - | 57 | - | 55 | 54 | 53 | SALEABLE | | 345650003 |
| | | | | | | | | | | | - | 51 | - | - | 48 | - | 46 | 45 | 44 | 43 | 42 | - | 40 | 39 | - | - | - | 35 | - | - | | | |
| | | | | | | | | | | | - | | | | | | | | | | | | | | | | | | | | | | |
| MX123 CONN ASSY 73 CKT GRY OPT0 KEY B/23 | 345666513 | C-HSG-B0 | G-CAP-0-P | TPA-B0 | RS | LS | MAL | CPA | MSEAL | RSEAL | - | 71 | 70 | 69 | - | - | 66 | 65 | 64 | 63 | - | - | 60 | 59 | 58 | 57 | 56 | - | - | 53 | SALEABLE | | 345650003 |
| | | | | | | | | | | | - | 51 | 50 | 49 | 48 | 47 | - | 45 | 44 | - | 42 | 41 | - | 39 | 38 | 37 | 36 | 35 | 34 | 33 | | | |
| | | | | | | | | | | | - | | | | | | | | | | | | | | | | | | | | | | |
| MX123 CONN ASSY 73 CKT GRY OPT0 KEY B/25 | 345666523 | C-HSG-B0 | G-CAP-0-P | TPA-B0 | RS | LS | MAL | CPA | MSEAL | RSEAL | 72 | 71 | 70 | 69 | - | - | 66 | 65 | - | 63 | 62 | 61 | 60 | - | - | 57 | 56 | 55 | - | 53 | SALEABLE | | 345650003 |
| | | | | | | | | | | | 52 | 51 | 50 | 49 | 48 | 47 | - | - | 44 | 43 | 42 | 41 | 40 | - | - | 37 | 36 | 35 | 34 | 33 | | | |
| | | | | | | | | | | | - | | | | | | | | | | | | | | | | | | | | | | |
| MX123 CONN ASSY 73 CKT GRY OPT9 KEY B/15 | 345666533 | C-HSG-B9 | G-CAP-9-P | TPA-B9 | RS | LS | MAL | CPA | MSEAL | RSEAL | 72 | 71 | 70 | 69 | - | - | 66 | 65 | - | 63 | 62 | 61 | 60 | 59 | 58 | 57 | 56 | 55 | 54 | 53 | SALEABLE | | 345650003 |
| | | | | | | | | | | | 52 | 51 | 50 | 49 | 48 | 47 | - | - | 44 | 43 | 42 | 41 | 40 | 39 | 38 | 37 | 36 | 35 | 34 | 33 | | | |
| | | | | | | | | | | | - | | | | | | | | | | | | | | | | | | | | | | |
| MX123 CONN ASSY 73 CKT BLK OPT9 KEY A/53 | 345666543 | C-HSG-A9 | G-CAP-9-P | TPA-A9 | RS | LS | MAL | CPA | MSEAL | RSEAL | - | - | - | - | - | 67 | - | - | - | - | 62 | - | - | 59 | 58 | - | - | 55 | - | - | SALEABLE | | 345650003 |
| | | | | | | | | | | | - | - | - | - | - | 47 | - | - | - | - | 42 | 41 | - | - | - | - | - | 35 | - | - | | | |
| | | | | | | | | | | | - | | | | | | | | | | | | | | | | | | | | | | |
| MX123 CONN ASSY 73 CKT BLK OPT9 KEY A/46 | 345666553 | C-HSG-A9 | G-CAP-9-P | TPA-A9 | RS | LS | MAL | CPA | MSEAL | RSEAL | - | - | - | - | 68 | - | 66 | 65 | - | - | 62 | 61 | - | - | - | - | - | - | - | SALEABLE | | 345650003 | |
| | | | | | | | | | | | - | - | - | - | 48 | - | 46 | - | - | - | - | - | - | 38 | - | - | 35 | - | 33 | | | | |
| | | | | | | | | | | | - | | | | | | | | | | | | | | | | | | | | | | |
| MX123 CONN ASSY 73 CKT BLU OPT9 KEY C/41 | 345666563 | C-HSG-C9 | G-CAP-9-P | TPA-C9 | RS | LS | MAL | CPA | MSEAL | RSEAL | - | 71 | - | 69 | - | 67 | - | 65 | 64 | - | - | 61 | 60 | - | - | - | 56 | 55 | 54 | - | SALEABLE | | 345650003 |
| | | | | | | | | | | | - | - | 50 | 49 | - | - | - | 45 | - | 43 | 42 | 41 | - | - | 38 | 37 | 36 | 35 | - | - | | | |
| | | | | | | | | | | | - | | | | | | | | | | | | | | | | | | | | | | |
| MX123 CONN ASSY 73 CKT BLK OPT9 KEY A/47 | 345666573 | C-HSG-A9 | G-CAP-9-P | TPA-A9 | RS | LS | MAL | CPA | MSEAL | RSEAL | - | - | - | - | 68 | - | 66 | 65 | - | - | 62 | 61 | - | - | - | - | - | - | - | SALEABLE | | 345650003 | |
| | | | | | | | | | | | - | - | - | - | 48 | - | 46 | - | - | - | - | - | - | 38 | - | - | 35 | - | 33 | | | | |
| | | | | | | | | | | | - | | | | | | | | | | | | | | | | | | | | | | |
| MX123 CONN ASSY 73 CKT BLK OPT9 KEY A/41 | 345666583 | C-HSG-A9 | G-CAP-9-P | TPA-A9 | RS | LS | MAL | CPA | MSEAL | RSEAL | 72 | 71 | - | - | 68 | 67 | 66 | 65 | 64 | - | - | - | - | 59 | - | - | - | - | - | SALEABLE | | 345650003 | |
| | | | | | | | | | | | - | - | - | - | 48 | 47 | 46 | 45 | - | - | - | - | - | 38 | - | - | 35 | - | 33 | | | | |
| | | | | | | | | | | | - | | | | | | | | | | | | | | | | | | | | | | |

| ASSEMBLY DESCRIPTION | ASSEMBLY PART NUMBER | CONNECTOR HOUSING | GROMMET CAP | TPA | RIGHT SLIDE | LEFT SLIDE | MATE ASSIST LEVER | CPA | MAT SEAL | RING SEAL | BLOCKED TERMINALS | | | | | | | | | | | | | | | | | | | STATUS | COMMENTS | INTEGRAL COMPONENTS SOLD SEPARATELY | |
|--|----------------------|-------------------|-------------|--------|-------------|------------|-------------------|-----|----------|-----------|--|----|----|----|----|----|----|----|----|----|----|----|----|----|----|----|----|----|----|----------|----------|-------------------------------------|-----------|
| | | | | | | | | | | | CAVITY WITH A NUMBER INDICATES BLOCKED TERMINAL POSITION | | | | | | | | | | | | | | | | | | | | | DRESS COVER | |
| | | | | | | | | | | | CAVITY WITHOUT A NUMBER INDICATES OPEN TERMINAL POSITION | | | | | | | | | | | | | | | | | | | | | | |
| MX123 CONN ASSY 73 CKT BLU OPT0 KEY C/37 | 345666593 | C-HSG-C0 | G-CAP-0-P | TPA-C0 | RS | LS | MAL | CPA | MSEAL | RSEAL | 72 | 71 | 70 | - | 68 | - | 66 | 65 | - | 63 | - | 61 | - | 59 | 58 | - | 56 | - | - | 53 | SALEABLE | | 345650003 |
| | | | | | | | | | | | - | - | - | 49 | - | 47 | - | - | - | 43 | - | 41 | 40 | 39 | 38 | - | 36 | - | - | - | | | |
| | | | | | | | | | | | | | | | - | 31 | 30 | 29 | - | - | - | 25 | 24 | 23 | 22 | 21 | - | - | - | - | | | |
| MX123 CONN ASSY 73 CKT BLK OPT0 KEY A/50 | 345666613 | C-HSG-A0 | G-CAP-0-P | TPA-A0 | RS | LS | MAL | CPA | MSEAL | RSEAL | - | - | - | - | 68 | 67 | - | 65 | - | - | 62 | - | - | 59 | 58 | - | - | 55 | - | - | SALEABLE | | 345650003 |
| | | | | | | | | | | | - | - | - | - | 48 | 47 | - | - | - | - | 42 | 41 | - | - | - | - | 35 | - | - | | | | |
| | | | | | | | | | | | | | | | - | - | - | - | - | 27 | - | - | 24 | - | - | - | 20 | 19 | 18 | 17 | | | |
| MX123 CONN ASSY 73 CKT GRY OPT9 KEY B/25 | 345666623 | C-HSG-B9 | G-CAP-9-P | TPA-B9 | RS | LS | MAL | CPA | MSEAL | RSEAL | 72 | 71 | 70 | 69 | - | - | 66 | 65 | - | 63 | 62 | 61 | 60 | - | - | 57 | 56 | 55 | - | 53 | SALEABLE | | 345650003 |
| | | | | | | | | | | | 52 | 51 | 50 | 49 | 48 | 47 | - | - | 44 | 43 | 42 | 41 | 40 | - | - | 37 | 36 | 35 | 34 | 33 | | | |
| | | | | | | | | | | | | | | | - | 31 | - | - | - | - | 26 | 25 | 24 | - | - | 21 | 20 | 19 | 18 | - | | | |
| MX123 CONN ASSY 73 CKT BLU OPT9 KEY C/33 | 345666633 | C-HSG-C9 | G-CAP-9-P | TPA-C9 | RS | LS | MAL | CPA | MSEAL | RSEAL | 72 | 71 | 70 | - | 68 | - | - | 65 | - | 63 | - | 61 | - | 59 | 58 | - | 56 | 55 | - | 53 | SALEABLE | | 345650003 |
| | | | | | | | | | | | - | - | - | 49 | - | 47 | - | - | - | 43 | - | 41 | 40 | 39 | 38 | - | 36 | 35 | - | - | | | |
| | | | | | | | | | | | | | | | 32 | 31 | 30 | 29 | - | - | - | 25 | 24 | 23 | 22 | 21 | 20 | 19 | 18 | 17 | | | |
| MX123 CONN ASSY 73 CKT BLU OPT9 KEY C/37 | 345666643 | C-HSG-C9 | G-CAP-9-P | TPA-C9 | RS | LS | MAL | CPA | MSEAL | RSEAL | 72 | - | 70 | 69 | - | - | 66 | - | - | 62 | - | - | 59 | - | - | 56 | 55 | - | 53 | SALEABLE | | 345650003 | |
| | | | | | | | | | | | - | - | - | 49 | - | 47 | 46 | - | 44 | - | 42 | - | 40 | 39 | - | - | 36 | 35 | - | | | | - |
| | | | | | | | | | | | | | | | 32 | 31 | 30 | 29 | - | - | 26 | - | 24 | 23 | 22 | 21 | 20 | 19 | - | | | | 17 |
| MX123 CONN ASSY 73 CKT GRY OPT9 KEY B/30 | 345666653 | C-HSG-B9 | G-CAP-9-P | TPA-B9 | RS | LS | MAL | CPA | MSEAL | RSEAL | - | 71 | 70 | 69 | - | 67 | 66 | 65 | 64 | 63 | - | - | - | - | 58 | 57 | 56 | - | 54 | 53 | SALEABLE | | 345650003 |
| | | | | | | | | | | | - | 51 | 50 | 49 | - | - | - | 45 | - | - | 42 | - | - | 39 | - | - | - | - | 34 | 33 | | | |
| | | | | | | | | | | | | | | | 32 | 31 | - | 29 | 28 | 27 | 26 | 25 | 24 | 23 | 22 | 21 | - | - | - | 17 | | | |
| MX123 CONN ASSY 73 CKT BLK OPT9 KEY A/51 | 345666663 | C-HSG-A9 | G-CAP-9-P | TPA-A9 | RS | LS | MAL | CPA | MSEAL | RSEAL | - | - | - | - | - | 67 | - | - | - | - | 62 | 61 | - | 59 | 58 | - | - | 55 | - | 53 | SALEABLE | | 345650003 |
| | | | | | | | | | | | - | - | - | - | - | 47 | - | - | - | - | 41 | - | - | - | - | - | 35 | - | 33 | | | | |
| | | | | | | | | | | | | | | | - | - | - | - | - | 27 | - | - | 24 | - | - | - | 19 | 18 | 17 | | | | |
| MX123 CONN ASSY 73 CKT GRY OPT9 KEY B/65 | 345666673 | C-HSG-B9 | G-CAP-9-P | TPA-B9 | RS | LS | MAL | CPA | MSEAL | RSEAL | - | - | - | - | - | - | - | - | - | - | 62 | - | - | - | 58 | - | - | 54 | 53 | SALEABLE | | 345650003 | |
| | | | | | | | | | | | - | - | - | - | - | - | - | - | - | - | 42 | - | - | - | - | - | - | - | - | | | | |
| | | | | | | | | | | | | | | | - | - | - | - | - | 27 | - | 25 | - | - | - | - | - | - | - | | | | |
| MX123 CONN ASSY 73 CKT BLK OPT9 KEY A/37 | 345666683 | C-HSG-A9 | G-CAP-9-P | TPA-A9 | RS | LS | MAL | CPA | MSEAL | RSEAL | - | 71 | - | 69 | 68 | - | 66 | 65 | 64 | - | 62 | 61 | - | - | - | - | 56 | 55 | 54 | 53 | SALEABLE | | 345650003 |
| | | | | | | | | | | | - | 51 | 50 | 49 | - | - | - | 45 | 44 | - | - | 41 | - | - | - | - | 36 | 35 | 34 | 33 | | | |
| | | | | | | | | | | | | | | | - | - | - | - | - | 26 | 25 | 24 | 23 | - | - | 20 | 19 | 18 | 17 | | | | |
| MX123 CONN ASSY 73 CKT BLU OPT9 KEY C/43 | 345666693 | C-HSG-C9 | G-CAP-9-P | TPA-C9 | RS | LS | MAL | CPA | MSEAL | RSEAL | - | - | - | - | 68 | - | - | - | - | 63 | 62 | 61 | 60 | 59 | 58 | 57 | - | 55 | - | 53 | SALEABLE | | 345650003 |
| | | | | | | | | | | | - | - | - | - | 48 | - | - | - | - | 43 | 42 | 41 | 40 | - | - | 37 | 36 | 35 | - | 33 | | | |
| | | | | | | | | | | | | | | | 32 | - | - | - | - | 27 | - | - | - | - | - | 20 | 19 | 18 | - | | | | |
| MX123 CONN ASSY 73 CKT BLK OPT9 KEY A/54 | 345666713 | C-HSG-A9 | G-CAP-9-P | TPA-A9 | RS | LS | MAL | CPA | MSEAL | RSEAL | - | - | - | - | - | 67 | - | - | - | - | 62 | - | - | 59 | 58 | - | - | 55 | - | - | SALEABLE | | 345650003 |
| | | | | | | | | | | | - | - | - | - | - | 47 | - | - | - | - | - | - | - | - | - | - | 35 | - | - | | | | |
| | | | | | | | | | | | | | | | - | - | - | - | - | 27 | - | - | 24 | - | - | - | 20 | 19 | 18 | 17 | | | |
| MX123 CONN ASSY 73 CKT BLU OPT9 KEY C/35 | 345666743 | C-HSG-C9 | G-CAP-9-P | TPA-C9 | RS | LS | MAL | CPA | MSEAL | RSEAL | 72 | - | 70 | - | - | - | 66 | - | - | - | 62 | - | - | 59 | 58 | - | 56 | 55 | 54 | 53 | SALEABLE | | 345650003 |
| | | | | | | | | | | | - | - | - | 49 | - | 47 | - | - | 44 | - | 42 | - | 40 | 39 | 38 | - | 36 | 35 | - | - | | | |
| | | | | | | | | | | | | | | | 32 | 31 | 30 | 29 | - | - | 26 | - | 24 | 23 | 22 | 21 | 20 | 19 | 18 | 17 | | | |

| ASSEMBLY DESCRIPTION | ASSEMBLY PART NUMBER | CONNECTOR HOUSING | GROMMET CAP | TPA | RIGHT SLIDE | LEFT SLIDE | MATE ASSIST LEVER | CPA | MAT SEAL | RING SEAL | BLOCKED TERMINALS | | | | | | | | | | | | | | | | | | STATUS | COMMENTS | INTEGRAL COMPONENTS SOLD SEPARATELY |
|--|----------------------|-------------------|-------------|--------|-------------|------------|-------------------|-----|----------|-----------|--|----|----|----|----|----|----|----|----|----|----|----|----|----|----|----|----|----|--------|----------|-------------------------------------|
| | | | | | | | | | | | CAVITY WITH A NUMBER INDICATES BLOCKED TERMINAL POSITION | | | | | | | | | | | | | | | | | | | | DRESS COVER |
| | | | | | | | | | | | CAVITY WITHOUT A NUMBER INDICATES OPEN TERMINAL POSITION | | | | | | | | | | | | | | | | | | | | |
| MX123 CONN ASSY 73 CKT BLK OPT9 KEY A/49 | 345666753 | C-HSG-A9 | G-CAP-9-P | TPA-A9 | RS | LS | MAL | CPA | MSEAL | RSEAL | - | - | - | - | - | 67 | - | - | - | 63 | 62 | - | - | 59 | 58 | - | - | 55 | - | - | |
| | | | | | | | | | | | - | - | - | - | - | 47 | - | - | - | - | - | 41 | - | - | - | - | - | 35 | - | - | |
| | | | | | | | | | | | | | | | | 32 | - | - | - | - | 27 | 26 | 25 | 24 | - | - | - | - | 19 | 18 | 17 |
| | | | | | | | | | | | | | | | | 16 | - | - | - | - | 11 | 10 | 9 | 8 | - | - | - | - | 3 | - | 1 |
| MX123 CONN ASSY 73 CKT GRY OPT9 KEY B/26 | 345666763 | C-HSG-B9 | G-CAP-9-P | TPA-B9 | RS | LS | MAL | CPA | MSEAL | RSEAL | - | 71 | 70 | 69 | - | 67 | 66 | 65 | 64 | 63 | - | - | 60 | 59 | 58 | 57 | 56 | - | 54 | 53 | |
| | | | | | | | | | | | - | 51 | - | - | 48 | 47 | - | - | 44 | - | 42 | 41 | - | 39 | 38 | 37 | 36 | 35 | - | 33 | |
| | | | | | | | | | | | | | | | | 32 | 31 | 30 | - | 28 | 27 | 26 | 25 | 24 | 23 | - | - | - | - | - | 17 |
| | | | | | | | | | | | | | | | | - | 15 | - | 13 | 12 | 11 | 10 | 9 | - | 7 | - | - | - | 3 | 2 | 1 |
| MX123 CONN ASSY 73 CKT BLU OPT0 KEY C/40 | 345666773 | C-HSG-C0 | G-CAP-0-P | TPA-C0 | RS | LS | MAL | CPA | MSEAL | RSEAL | - | 71 | - | 69 | - | 67 | - | 65 | 64 | - | - | 61 | 60 | - | - | 56 | 55 | 54 | - | | |
| | | | | | | | | | | | - | - | 50 | - | - | - | 45 | - | 43 | - | 41 | - | - | 38 | 37 | 36 | 35 | - | - | | |
| | | | | | | | | | | | | | | | | - | 31 | - | 29 | 28 | 27 | - | - | 24 | 23 | - | - | 20 | - | - | |
| | | | | | | | | | | | | | | | | 16 | - | - | 13 | 12 | 11 | - | - | 8 | 7 | - | - | - | 3 | 2 | - |
| MX123 CONN ASSY 73 CKT GRY OPT0 KEY B/37 | 345666783 | C-HSG-B0 | G-CAP-0-P | TPA-B0 | RS | LS | MAL | CPA | MSEAL | RSEAL | - | 71 | - | 69 | - | 67 | - | 65 | 64 | 63 | 62 | 61 | - | - | 58 | 57 | 56 | - | - | - | |
| | | | | | | | | | | | - | 51 | - | 49 | - | 47 | - | 45 | 44 | - | 42 | 41 | - | - | 38 | 37 | 36 | - | - | - | |
| | | | | | | | | | | | | | | | | - | - | - | - | - | - | - | - | - | - | 22 | 21 | 20 | 19 | 18 | - |
| | | | | | | | | | | | | | | | | - | 15 | 14 | 13 | 12 | 11 | - | 9 | - | - | 6 | 5 | 4 | 3 | - | - |
| MX123 CONN ASSY 73 CKT GRY OPT0 KEY B/42 | 345666793 | C-HSG-B0 | G-CAP-0-P | TPA-B0 | RS | LS | MAL | CPA | MSEAL | RSEAL | - | 71 | - | 69 | - | 67 | - | 65 | - | - | 62 | 61 | - | - | 58 | 57 | 56 | - | - | - | |
| | | | | | | | | | | | - | 51 | - | 49 | - | 47 | - | 45 | 44 | - | 42 | 41 | - | - | 38 | 37 | 36 | - | - | - | |
| | | | | | | | | | | | | | | | | - | - | - | - | - | - | - | - | - | - | 22 | 21 | - | 19 | 18 | - |
| | | | | | | | | | | | | | | | | - | 15 | 14 | 13 | 12 | 11 | - | 9 | - | - | 6 | - | - | 3 | - | - |
| MX123 CONN ASSY 73 CKT GRY OPT0 KEY B/55 | 345666803 | C-HSG-B0 | G-CAP-0-P | TPA-B0 | RS | LS | MAL | CPA | MSEAL | RSEAL | 72 | 71 | 70 | 69 | 68 | 67 | 66 | - | 64 | 63 | 62 | 61 | 60 | - | 58 | - | 56 | - | 54 | - | |
| | | | | | | | | | | | 52 | 51 | 50 | - | - | 47 | - | 45 | - | 43 | 42 | 41 | 40 | - | 38 | - | 36 | - | 34 | - | |
| | | | | | | | | | | | | | | | | 32 | 31 | 30 | - | - | 27 | 26 | 25 | 24 | - | 22 | - | 20 | 19 | 18 | 17 |
| | | | | | | | | | | | | | | | | 16 | 15 | 14 | 13 | 12 | 11 | 10 | 9 | 8 | - | 6 | 5 | 4 | 3 | 2 | 1 |
| MX123 CONN ASSY 73 CKT BLK OPT9 KEY A/55 | 345666813 | C-HSG-A9 | G-CAP-9-P | TPA-A9 | RS | LS | MAL | CPA | MSEAL | RSEAL | 72 | - | - | - | - | - | 66 | - | - | - | - | - | - | 59 | - | - | - | - | - | | |
| | | | | | | | | | | | - | - | - | - | - | - | 46 | - | - | - | - | - | - | 38 | - | - | 35 | - | 33 | | |
| | | | | | | | | | | | | | | | | - | 31 | - | - | - | - | - | - | 23 | 22 | - | 20 | 19 | - | 17 | |
| | | | | | | | | | | | | | | | | - | - | - | - | - | - | - | - | 7 | 6 | - | 4 | - | 2 | 1 | |
| MX123 CONN ASSY 73 CKT BLU OPT9 KEY C/45 | 345666823 | C-HSG-C9 | G-CAP-9-P | TPA-C9 | RS | LS | MAL | CPA | MSEAL | RSEAL | - | 71 | - | 69 | - | - | - | 65 | 64 | - | - | 61 | 60 | - | 58 | - | 56 | 55 | 54 | - | |
| | | | | | | | | | | | - | - | 50 | - | - | - | - | 45 | - | 43 | 42 | - | - | - | 38 | - | - | - | - | - | |
| | | | | | | | | | | | | | | | | - | 31 | - | 29 | 28 | - | - | - | 23 | - | - | - | 19 | 18 | 17 | |
| | | | | | | | | | | | | | | | | 16 | - | - | - | 12 | 11 | - | - | - | 7 | - | - | - | 3 | - | 1 |
| MX123 CONN ASSY 73 CKT BLK OPT0 KEY A/36 | 345666833 | C-HSG-A0 | G-CAP-0-P | TPA-A0 | RS | LS | MAL | CPA | MSEAL | RSEAL | 72 | 71 | - | - | 68 | 67 | 66 | 65 | 64 | - | 62 | 61 | - | - | - | - | - | - | - | | |
| | | | | | | | | | | | - | - | 50 | - | - | - | 46 | 45 | - | - | - | - | 39 | 38 | - | - | 35 | - | - | | |
| | | | | | | | | | | | | | | | | - | 31 | 30 | 29 | - | 27 | - | 25 | 24 | 23 | 22 | 21 | 20 | - | - | 17 |
| | | | | | | | | | | | | | | | | - | - | 14 | 13 | - | 11 | - | 9 | 8 | 7 | 6 | 5 | 4 | - | 2 | 1 |
| MX123 CONN ASSY 73 CKT BLK OPT0 KEY A/54 | 345666843 | C-HSG-A0 | G-CAP-0-P | TPA-A0 | RS | LS | MAL | CPA | MSEAL | RSEAL | - | - | - | - | - | 67 | - | - | - | - | 62 | - | - | 59 | 58 | - | - | 55 | - | - | |
| | | | | | | | | | | | - | - | - | - | - | 47 | - | - | - | - | 42 | 41 | - | - | - | - | 35 | - | - | | |
| | | | | | | | | | | | | | | | | - | - | - | - | - | 27 | - | - | 24 | - | - | - | 19 | 18 | - | |
| | | | | | | | | | | | | | | | | 16 | - | - | - | - | 11 | 10 | - | 8 | - | - | - | 3 | - | 1 | |
| MX123 CONN ASSY 73 CKT BLU OPT0 KEY C/43 | 345666853 | C-HSG-C0 | G-CAP-0-P | TPA-C0 | RS | LS | MAL | CPA | MSEAL | RSEAL | 72 | 71 | 70 | - | 68 | - | - | 65 | - | 63 | - | - | - | 59 | 58 | - | 56 | - | - | 53 | |
| | | | | | | | | | | | - | - | - | - | - | 47 | - | - | - | 43 | - | - | 40 | 39 | 38 | - | 36 | - | - | - | |
| | | | | | | | | | | | | | | | | - | 31 | 30 | 29 | - | - | - | - | 24 | 23 | 22 | 21 | 20 | - | - | - |
| | | | | | | | | | | | | | | | | - | - | - | - | - | - | - | - | - | - | 6 | 5 | 4 | 3 | 2 | 1 |
| MX123 CONN ASSY 73 CKT BLK OPT0 KEY A/54 | 345666863 | C-HSG-A0 | G-CAP-0-P | TPA-A0 | RS | LS | MAL | CPA | MSEAL | RSEAL | - | - | - | - | - | 67 | - | - | - | - | 62 | - | - | 59 | 58 | - | - | 55 | - | - | |
| | | | | | | | | | | | - | - | - | - | - | 47 | - | - | - | - | 41 | - | - | - | - | 35 | - | - | | | |
| | | | | | | | | | | | | | | | | - | - | - | - | - | 27 | - | - | 24 | - | - | - | 19 | 18 | 17 | |
| | | | | | | | | | | | | | | | | 16 | - | - | - | - | 11 | 10 | - | 8 | - | - | - | 3 | - | 1 | |

| ASSEMBLY DESCRIPTION | ASSEMBLY PART NUMBER | CONNECTOR HOUSING | GROMMET CAP | TPA | RIGHT SLIDE | LEFT SLIDE | MATE ASSIST LEVER | CPA | MAT SEAL | RING SEAL | BLOCKED TERMINALS | | | | | | | | | | | | | | | | | | STATUS | COMMENTS | INTEGRAL COMPONENTS SOLD SEPARATELY |
|--|----------------------|-------------------|-------------|--------|-------------|------------|-------------------|-----|----------|-----------|--|----|----|----|----|----|----|----|----|----|----|----|----|----|----|----|----|----|--------|----------|-------------------------------------|
| | | | | | | | | | | | CAVITY WITH A NUMBER INDICATES BLOCKED TERMINAL POSITION | | | | | | | | | | | | | | | | | | | | DRESS COVER |
| | | | | | | | | | | | CAVITY WITHOUT A NUMBER INDICATES OPEN TERMINAL POSITION | | | | | | | | | | | | | | | | | | | | |
| MX123 CONN ASSY 73 CKT GRY OPT9 KEY B/36 | 345666873 | C-HSG-B9 | G-CAP-9-P | TPA-B9 | RS | LS | MAL | CPA | MSEAL | RSEAL | - | 71 | 70 | 69 | - | - | 66 | 65 | 64 | - | - | - | - | - | 58 | 57 | 56 | - | 54 | - | |
| | | | | | | | | | | | - | 51 | 50 | 49 | - | - | - | 45 | - | - | 42 | - | - | 39 | - | - | - | - | 34 | 33 | |
| | | | | | | | | | | | | | | | 32 | 31 | - | 29 | 28 | - | 26 | 25 | 24 | 23 | 22 | 21 | - | - | - | - | |
| MX123 CONN ASSY 73 CKT BLK OPT9 KEY A/37 | 345666883 | C-HSG-A9 | G-CAP-9-P | TPA-A9 | RS | LS | MAL | CPA | MSEAL | RSEAL | - | 71 | - | 69 | 68 | - | 66 | 65 | 64 | - | 62 | 61 | - | - | - | - | - | 54 | 53 | | |
| | | | | | | | | | | | - | - | 50 | 49 | - | - | - | 45 | 44 | - | - | 41 | - | - | - | - | - | - | 34 | 33 | |
| | | | | | | | | | | | | | | | 32 | 31 | 30 | 29 | - | - | 26 | 25 | 24 | 23 | - | - | 20 | 19 | - | - | |
| MX123 CONN ASSY 73 CKT GRY OPT0 KEY B/66 | 345666893 | C-HSG-B0 | G-CAP-0-P | TPA-B0 | RS | LS | MAL | CPA | MSEAL | RSEAL | - | - | - | - | - | - | - | - | - | - | - | - | - | 58 | - | - | - | 54 | 53 | | |
| | | | | | | | | | | | - | - | - | - | - | - | - | - | - | - | 42 | - | - | - | - | - | - | - | - | - | |
| | | | | | | | | | | | | | | | - | - | - | - | - | 27 | - | 25 | - | - | - | - | - | - | - | - | |
| MX123 CONN ASSY 73 CKT GRY OPT0 KEY B/55 | 345666903 | C-HSG-B0 | G-CAP-0-P | TPA-B0 | RS | LS | MAL | CPA | MSEAL | RSEAL | 72 | 71 | 70 | 69 | 68 | 67 | 66 | 65 | - | 63 | 62 | 61 | 60 | - | 58 | - | 56 | - | 54 | - | |
| | | | | | | | | | | | 52 | 51 | 50 | - | - | 47 | - | 45 | 44 | 43 | 42 | 41 | 40 | - | 38 | - | 36 | - | 34 | - | |
| | | | | | | | | | | | | | | | - | 31 | 30 | - | 28 | 27 | 26 | 25 | 24 | - | 22 | - | 20 | 19 | - | 17 | |
| MX123 CONN ASSY 73 CKT BLK OPT9 KEY A/63 | 345666913 | C-HSG-A9 | G-CAP-9-P | TPA-A9 | RS | LS | MAL | CPA | MSEAL | RSEAL | - | - | - | - | - | - | - | - | - | - | 62 | 61 | - | - | - | - | - | - | 53 | | |
| | | | | | | | | | | | - | - | - | - | - | - | - | - | - | - | - | 41 | - | - | - | - | - | - | - | 33 | |
| | | | | | | | | | | | | | | | - | - | - | - | - | - | - | 24 | - | - | - | - | 19 | - | - | | |
| MX123 CONN ASSY 73 CKT BLU OPT9 KEY C/56 | 345666923 | C-HSG-C9 | G-CAP-9-P | TPA-C9 | RS | LS | MAL | CPA | MSEAL | RSEAL | - | - | - | - | 68 | - | - | - | - | 63 | 62 | - | - | 59 | - | - | - | 55 | - | 53 | |
| | | | | | | | | | | | - | - | - | - | - | - | - | - | - | 43 | 42 | - | 40 | - | - | - | 36 | 35 | - | - | |
| | | | | | | | | | | | | | | | - | - | - | - | - | - | - | - | - | - | - | 20 | 19 | - | - | | |
| MX123 CONN ASSY 73 CKT GRY OPT9 KEY B/39 | 345666933 | C-HSG-B9 | G-CAP-9-P | TPA-B9 | RS | LS | MAL | CPA | MSEAL | RSEAL | - | 71 | 70 | 69 | - | - | 66 | 65 | 64 | - | - | - | - | - | 58 | 57 | 56 | - | 54 | - | |
| | | | | | | | | | | | - | 51 | 50 | 49 | - | - | - | 45 | - | - | 42 | - | - | 39 | - | - | - | - | 34 | 33 | |
| | | | | | | | | | | | | | | | 32 | 31 | - | 29 | 28 | - | 26 | 25 | 24 | 23 | - | - | - | - | - | - | |
| MX123 CONN ASSY 73 CKT BLK OPT9 KEY A/51 | 345666943 | C-HSG-A9 | G-CAP-9-P | TPA-A9 | RS | LS | MAL | CPA | MSEAL | RSEAL | - | - | - | - | - | 67 | - | - | - | - | 62 | - | - | 59 | 58 | - | - | 55 | - | - | |
| | | | | | | | | | | | - | - | - | - | - | 47 | - | - | - | - | - | - | - | - | - | - | 35 | - | - | | |
| | | | | | | | | | | | | | | | - | - | - | - | - | 27 | 26 | 25 | 24 | - | - | - | 20 | 19 | 18 | 17 | |
| MX123 CONN ASSY 73 CKT BLU OPT0 KEY A/52 | 345666953 | C-HSG-A0 | G-CAP-0-P | TPA-A0 | RS | LS | MAL | CPA | MSEAL | RSEAL | - | - | - | - | 68 | 67 | - | 65 | - | - | 62 | - | - | 59 | 58 | - | - | 55 | - | - | |
| | | | | | | | | | | | - | - | - | - | 48 | 47 | - | - | - | - | 42 | 41 | - | - | - | - | 35 | - | - | | |
| | | | | | | | | | | | | | | | - | - | - | - | - | 27 | - | - | 24 | - | - | - | 19 | 18 | 17 | | |
| MX123 CONN ASSY 73 CKT GRY OPT0 KEY B/24 | 345666963 | C-HSG-B0 | G-CAP-0-P | TPA-B0 | RS | LS | MAL | CPA | MSEAL | RSEAL | - | 71 | - | 69 | - | - | 66 | 65 | 64 | 63 | - | - | 60 | 59 | 58 | 57 | 56 | - | 54 | 53 | |
| | | | | | | | | | | | - | 51 | 50 | 49 | - | - | - | 45 | 44 | - | 42 | 41 | - | 39 | 38 | 37 | 36 | 35 | 34 | 33 | |
| | | | | | | | | | | | | | | | 32 | 31 | - | 29 | 28 | 27 | 26 | 25 | 24 | 23 | 22 | 21 | - | - | - | 17 | |
| MX123 CONN ASSY 73 CKT BLU OPT0 KEY C/46 | 345666973 | C-HSG-C0 | G-CAP-0-P | TPA-C0 | RS | LS | MAL | CPA | MSEAL | RSEAL | 72 | - | - | - | 68 | - | 66 | - | - | 63 | - | - | - | 59 | 58 | - | 56 | - | - | 53 | |
| | | | | | | | | | | | - | - | - | - | - | - | - | - | - | 43 | - | - | 40 | 39 | 38 | - | 36 | - | - | - | |
| | | | | | | | | | | | | | | | - | 31 | 30 | 29 | - | - | - | - | 24 | 23 | 22 | 21 | 20 | - | - | - | |
| MX123 CONN ASSY 73 CKT BLU OPT0 KEY C/36 | 345666983 | C-HSG-C0 | G-CAP-0-P | TPA-C0 | RS | LS | MAL | CPA | MSEAL | RSEAL | 72 | - | 70 | - | 68 | - | 66 | - | - | 63 | - | 61 | - | 59 | 58 | - | 56 | 55 | - | 53 | |
| | | | | | | | | | | | - | - | - | 49 | - | - | - | - | - | 43 | - | 41 | 40 | 39 | 38 | - | 36 | 35 | - | - | |
| | | | | | | | | | | | | | | | 32 | 31 | 30 | 29 | - | - | - | 25 | 24 | 23 | 22 | 21 | 20 | 19 | - | 17 | |

| ASSEMBLY DESCRIPTION | ASSEMBLY PART NUMBER | CONNECTOR HOUSING | GROMMET CAP | TPA | RIGHT SLIDE | LEFT SLIDE | MATE ASSIST LEVER | CPA | MAT SEAL | RING SEAL | BLOCKED TERMINALS | | | | | | | | | | | | | | | | | | STATUS | COMMENTS | INTEGRAL COMPONENTS SOLD SEPARATELY |
|--|----------------------|-------------------|-------------|--------|-------------|------------|-------------------|-----|----------|-----------|--|----|----|----|----|----|----|----|----|----|----|----|----|----|----|----|----|----|--------|----------|-------------------------------------|
| | | | | | | | | | | | CAVITY WITH A NUMBER INDICATES BLOCKED TERMINAL POSITION | | | | | | | | | | | | | | | | | | | | DRESS COVER |
| | | | | | | | | | | | CAVITY WITHOUT A NUMBER INDICATES OPEN TERMINAL POSITION | | | | | | | | | | | | | | | | | | | | |
| MX123 CONN ASSY 73 CKT GRY OPT0 KEY B/43 | 345667003 | C-HSG-B0 | G-CAP-0-P | TPA-B0 | RS | LS | MAL | CPA | MSEAL | RSEAL | 72 | 71 | 70 | 69 | 68 | - | - | 65 | 64 | 63 | 62 | 61 | 60 | - | 58 | - | - | - | 54 | - | |
| | | | | | | | | | | | 52 | 51 | - | - | - | - | 46 | 45 | 44 | 43 | 42 | 41 | 40 | - | 38 | - | - | - | 34 | - | |
| | | | | | | | | | | | | | | | 32 | 31 | 30 | - | 28 | 27 | 26 | 25 | 24 | - | 22 | - | 20 | 19 | - | - | |
| | | | | | | | | | | | | | | | 16 | - | 14 | - | - | 11 | 10 | 9 | - | - | - | - | - | - | 2 | 1 | |
| MX123 CONN ASSY 73 CKT BLK OPT9 KEY A/44 | 345667013 | C-HSG-A9 | G-CAP-9-P | TPA-A9 | RS | LS | MAL | CPA | MSEAL | RSEAL | 72 | - | - | - | 68 | 67 | 66 | 65 | - | - | - | - | - | - | - | - | - | - | - | - | |
| | | | | | | | | | | | - | - | - | - | 48 | 47 | 46 | - | - | - | - | 40 | - | 38 | - | - | 35 | - | 33 | | |
| | | | | | | | | | | | | | | | - | 31 | 30 | - | - | - | - | 25 | 24 | 23 | 22 | 21 | 20 | - | - | 17 | |
| | | | | | | | | | | | | | | | - | - | - | - | - | - | - | 9 | 8 | 7 | 6 | 5 | 4 | - | 2 | 1 | |
| MX123 CONN ASSY 73 CKT BLK OPT0 KEY A/51 | 345667023 | C-HSG-A0 | G-CAP-0-P | TPA-A0 | RS | LS | MAL | CPA | MSEAL | RSEAL | - | - | - | - | - | 67 | - | - | - | 63 | 62 | - | - | 59 | 58 | - | - | 55 | - | - | |
| | | | | | | | | | | | - | - | - | - | - | 47 | - | - | - | - | 42 | 41 | - | - | - | - | 35 | - | - | | |
| | | | | | | | | | | | | | | | 32 | - | - | - | - | 27 | - | - | 24 | - | - | - | - | 19 | 18 | 17 | |
| | | | | | | | | | | | | | | | 16 | - | - | - | - | 11 | 10 | - | 8 | - | - | - | - | 3 | - | 1 | |
| MX123 CONN ASSY 73 CKT BLK OPT0 KEY A/41 | 345667033 | C-HSG-A0 | G-CAP-0-P | TPA-A0 | RS | LS | MAL | CPA | MSEAL | RSEAL | 72 | 71 | - | - | 68 | 67 | 66 | - | 64 | - | - | - | - | 59 | - | - | - | - | - | | |
| | | | | | | | | | | | - | - | 50 | - | 48 | 47 | 46 | 45 | - | - | - | - | 40 | 39 | 38 | - | - | 35 | - | 33 | |
| | | | | | | | | | | | | | | | - | 31 | 30 | - | - | - | - | 25 | 24 | 23 | 22 | - | 20 | - | - | 17 | |
| | | | | | | | | | | | | | | | - | - | 14 | - | - | - | - | 9 | - | 7 | 6 | - | 4 | - | 2 | 1 | |
| MX123 CONN ASSY 73 CKT GRY OPT0 KEY B/24 | 345667043 | C-HSG-B0 | G-CAP-0-P | TPA-B0 | RS | LS | MAL | CPA | MSEAL | RSEAL | - | 71 | 70 | 69 | - | - | 66 | 65 | 64 | - | - | - | - | 58 | 57 | 56 | - | 54 | 53 | | |
| | | | | | | | | | | | - | 51 | 50 | 49 | 48 | 47 | - | 45 | 44 | - | 42 | - | - | 39 | 38 | 37 | 36 | 35 | 34 | 33 | |
| | | | | | | | | | | | | | | | 32 | 31 | 30 | 29 | 28 | - | 26 | 25 | 24 | 23 | 22 | 21 | - | - | - | 17 | |
| | | | | | | | | | | | | | | | - | 15 | - | 13 | 12 | - | 10 | 9 | - | 7 | 6 | 5 | - | 3 | 2 | 1 | |
| MX123 CONN ASSY 73 CKT BLU OPT0 KEY C/39 | 345667053 | C-HSG-C0 | G-CAP-0-P | TPA-C0 | RS | LS | MAL | CPA | MSEAL | RSEAL | 72 | - | 70 | - | 68 | - | 66 | - | - | 63 | - | - | - | 59 | 58 | - | 56 | 55 | - | 53 | |
| | | | | | | | | | | | - | - | - | - | - | - | - | - | - | 43 | - | - | 40 | 39 | 38 | - | 36 | 35 | - | - | |
| | | | | | | | | | | | | | | | 32 | 31 | 30 | 29 | - | - | - | 24 | 23 | 22 | 21 | 20 | 19 | 18 | 17 | | |
| | | | | | | | | | | | | | | | - | - | - | - | - | - | - | - | - | - | 6 | 5 | 4 | 3 | 2 | 1 | |
| MX123 CONN ASSY 73 CKT BLU OPT0 KEY C/35 | 345667063 | C-HSG-C0 | G-CAP-0-P | TPA-C0 | RS | LS | MAL | CPA | MSEAL | RSEAL | - | 71 | - | 69 | - | - | - | 65 | 64 | - | - | 61 | 60 | - | 58 | - | 56 | 55 | 54 | - | |
| | | | | | | | | | | | - | - | 50 | 49 | - | - | - | 45 | - | 43 | 42 | 41 | - | - | 38 | 37 | 36 | 35 | - | - | |
| | | | | | | | | | | | | | | | - | 31 | - | 29 | 28 | 27 | - | - | 24 | 23 | - | - | 20 | 19 | 18 | 17 | |
| | | | | | | | | | | | | | | | 16 | - | - | - | 12 | 11 | - | - | 8 | 7 | - | - | - | 3 | 2 | 1 | |
| MX123 CONN ASSY 73 CKT NAT OPT9 KEY F/17 | 345667073 | C-HSG-F9 | G-CAP-9-P | TPA-F9 | RS | LS | MAL | CPA | MSEAL | RSEAL | 72 | 71 | 70 | - | - | 67 | 66 | 65 | 64 | 63 | 62 | 61 | 60 | 59 | - | - | 56 | 55 | 54 | 53 | |
| | | | | | | | | | | | 52 | 51 | 50 | 49 | 48 | 47 | 46 | 45 | 44 | - | - | 41 | 40 | 39 | - | - | 36 | 35 | 34 | - | |
| | | | | | | | | | | | | | | | 32 | 31 | - | 29 | 28 | 27 | 26 | 25 | 24 | 23 | 22 | 21 | 20 | - | - | - | |
| | | | | | | | | | | | | | | | 16 | 15 | 14 | 13 | 12 | 11 | 10 | 9 | 8 | 7 | 6 | 5 | 4 | - | - | - | |
| MX123 CONN ASSY 73 CKT GRY OPT9 KEY B/13 | 345667083 | C-HSG-B9 | G-CAP-9-P | TPA-B9 | RS | LS | MAL | CPA | MSEAL | RSEAL | 72 | 71 | 70 | 69 | 68 | 67 | 66 | 65 | 64 | 63 | 62 | 61 | 60 | 59 | 58 | 57 | 56 | 55 | 54 | 53 | |
| | | | | | | | | | | | 52 | 51 | 50 | 49 | 48 | 47 | 46 | 45 | 44 | 43 | 42 | 41 | 40 | 39 | 38 | 37 | 36 | 35 | 34 | 33 | |
| | | | | | | | | | | | | | | | 32 | 31 | 30 | 29 | 28 | 27 | 26 | 25 | 24 | 23 | 22 | 21 | 20 | 19 | 18 | 17 | |
| | | | | | | | | | | | | | | | - | - | - | - | - | - | - | 9 | - | - | 6 | 5 | 4 | - | - | - | |
| MX123 CONN ASSY 73 CKT GRY OPT9 KEY B/49 | 345667093 | C-HSG-B9 | G-CAP-9-P | TPA-B9 | RS | LS | MAL | CPA | MSEAL | RSEAL | - | - | - | - | - | - | - | - | - | 62 | 61 | 60 | - | 58 | 57 | 56 | 55 | 54 | - | | |
| | | | | | | | | | | | - | - | - | - | - | - | - | - | - | - | - | - | - | - | 22 | 21 | 20 | 19 | 18 | - | |
| | | | | | | | | | | | | | | | - | - | - | - | - | - | - | 9 | - | - | 6 | 5 | 4 | - | - | - | |
| | | | | | | | | | | | | | | | - | - | - | - | - | - | - | - | - | - | - | - | - | - | - | - | |
| MX123 CONN ASSY 73 CKT BLK OPT0 KEY A/25 | 345667103 | C-HSG-A0 | G-CAP-0-P | TPA-A0 | RS | LS | MAL | CPA | MSEAL | RSEAL | - | - | - | - | - | - | - | 65 | - | - | - | 61 | - | - | 58 | 57 | 56 | - | - | - | |
| | | | | | | | | | | | - | 51 | 50 | - | - | 47 | 46 | 45 | - | - | - | 41 | - | - | 38 | 37 | 36 | - | - | - | |
| | | | | | | | | | | | | | | | - | 31 | 30 | - | - | - | 26 | 25 | - | - | 22 | 21 | 20 | - | - | - | |
| | | | | | | | | | | | | | | | - | 15 | 14 | - | - | - | 10 | - | - | - | - | - | - | - | - | - | |
| MX123 CONN ASSY 73 CKT GRY OPT9 KEY B/8 | 345667133 | C-HSG-B9 | G-CAP-9-P | TPA-B9 | RS | LS | MAL | CPA | MSEAL | RSEAL | 72 | 71 | 70 | 69 | 68 | 67 | 66 | 65 | 64 | 63 | 62 | 61 | 60 | 59 | - | 57 | 56 | 55 | - | - | |
| | | | | | | | | | | | 52 | 51 | 50 | 49 | 48 | 47 | 46 | 45 | 44 | 43 | - | 41 | 40 | 39 | 38 | 37 | 36 | 35 | 34 | 33 | |
| | | | | | | | | | | | | | | | 32 | 31 | 30 | 29 | 28 | - | 26 | - | 24 | 23 | 22 | 21 | 20 | 19 | 18 | 17 | |
| | | | | | | | | | | | | | | | 16 | 15 | 14 | 13 | 12 | 11 | - | 9 | 8 | 7 | 6 | 5 | 4 | 3 | 2 | 1 | |

| ASSEMBLY DESCRIPTION | ASSEMBLY PART NUMBER | CONNECTOR HOUSING | GROMMET CAP | TPA | RIGHT SLIDE | LEFT SLIDE | MATE ASSIST LEVER | CPA | MAT SEAL | RING SEAL | BLOCKED TERMINALS | | | | | | | | | | | | | | | | | | | | STATUS | COMMENTS | INTEGRAL COMPONENTS SOLD SEPARATELY |
|--|----------------------|-------------------|-------------|--------|-------------|------------|-------------------|-----|----------|-----------|--|----|----|----|----|----|----|----|----|----|----|----|----|----|----|----|----|----|----|----------|----------|-----------|-------------------------------------|
| | | | | | | | | | | | CAVITY WITH A NUMBER INDICATES BLOCKED TERMINAL POSITION | | | | | | | | | | | | | | | | | | | | | | DRESS COVER |
| | | | | | | | | | | | CAVITY WITHOUT A NUMBER INDICATES OPEN TERMINAL POSITION | | | | | | | | | | | | | | | | | | | | | | |
| MX123 CONN ASSY 73 CKT BLU OPT0 KEY C/34 | 345667263 | C-HSG-C0 | G-CAP-0-P | TPA-C0 | RS | LS | MAL | CPA | MSEAL | RSEAL | 72 | 71 | 70 | - | 68 | - | - | 65 | - | 63 | - | 61 | - | 59 | 58 | - | 56 | 55 | - | 53 | SALEABLE | | 345650003 |
| | | | | | | | | | | | - | - | - | 49 | - | 47 | - | - | - | 43 | - | 41 | 40 | 39 | 38 | - | 36 | 35 | - | - | | | |
| | | | | | | | | | | | | | | | 32 | 31 | 30 | 29 | - | - | - | 25 | 24 | 23 | 22 | 21 | 20 | 19 | - | 17 | | | |
| MX123 CONN ASSY 73 CKT BLU OPT0 KEY C/39 | 345667273 | C-HSG-C0 | G-CAP-0-P | TPA-C0 | RS | LS | MAL | CPA | MSEAL | RSEAL | 72 | 71 | 70 | - | 68 | - | - | 65 | - | 63 | - | 61 | - | 59 | 58 | - | 56 | - | - | 53 | SALEABLE | | 345650003 |
| | | | | | | | | | | | - | - | - | 49 | - | 47 | - | - | - | 43 | - | 41 | 40 | 39 | 38 | - | 36 | - | - | - | | | |
| | | | | | | | | | | | | | | | - | 31 | 30 | 29 | - | - | - | 25 | 24 | 23 | 22 | 21 | 20 | - | - | - | | | |
| MX123 CONN ASSY 73 CKT BLU OPT0 KEY C/35 | 345667283 | C-HSG-C0 | G-CAP-0-P | TPA-C0 | RS | LS | MAL | CPA | MSEAL | RSEAL | 72 | 71 | 70 | - | 68 | - | - | 65 | - | 63 | 62 | - | - | 59 | 58 | - | 56 | 55 | - | 53 | SALEABLE | | 345650003 |
| | | | | | | | | | | | - | - | - | - | - | 47 | - | - | - | 43 | 42 | - | 40 | 39 | 38 | - | 36 | 35 | - | - | | | |
| | | | | | | | | | | | | | | | 32 | 31 | 30 | 29 | - | - | 26 | - | 24 | 23 | 22 | 21 | 20 | 19 | - | 17 | | | |
| MX123 CONN ASSY 73 CKT BLK OPT9 KEY A/49 | 345667293 | C-HSG-A9 | G-CAP-9-P | TPA-A9 | RS | LS | MAL | CPA | MSEAL | RSEAL | - | - | - | - | - | - | - | - | - | - | 62 | 61 | 60 | - | 58 | 57 | 56 | 55 | 54 | - | SALEABLE | | 345650003 |
| | | | | | | | | | | | - | - | - | - | - | - | - | - | - | - | 42 | 41 | 40 | - | 38 | 37 | 36 | 35 | - | - | | | |
| | | | | | | | | | | | | | | | - | - | - | - | - | - | - | - | - | - | 22 | 21 | 20 | 19 | 18 | - | | | |
| MX123 CONN ASSY 73 CKT GRY OPT0 KEY B/49 | 345667303 | C-HSG-B0 | G-CAP-0-P | TPA-B0 | RS | LS | MAL | CPA | MSEAL | RSEAL | 72 | 71 | 70 | - | 67 | - | 65 | 64 | 63 | 62 | 61 | 60 | - | 58 | 57 | 56 | - | 54 | - | SALEABLE | | 345650003 | |
| | | | | | | | | | | | 52 | 51 | 50 | - | 47 | - | 45 | - | 43 | 42 | 41 | 40 | - | 38 | - | 36 | - | 34 | - | | | | |
| | | | | | | | | | | | | | | | 32 | 31 | 30 | - | - | 27 | 26 | 25 | 24 | - | 22 | - | 20 | 19 | - | | | | - |
| MX123 CONN ASSY 73 CKT GRY OPT0 KEY B/22 | 345667313 | C-HSG-B0 | G-CAP-0-P | TPA-B0 | RS | LS | MAL | CPA | MSEAL | RSEAL | - | 71 | 70 | 69 | 68 | - | 66 | 65 | 64 | 63 | - | - | 60 | 59 | 58 | 57 | 56 | - | 54 | 53 | SALEABLE | | 345650003 |
| | | | | | | | | | | | - | 51 | 50 | 49 | - | - | 45 | 44 | - | 42 | 41 | - | 39 | 38 | 37 | 36 | 35 | 34 | 33 | | | | |
| | | | | | | | | | | | | | | | 32 | 31 | - | 29 | 28 | 27 | 26 | 25 | 24 | 23 | - | - | - | - | - | - | | | |
| MX123 CONN ASSY 73 CKT GRY OPT9 KEY B/66 | 345667333 | C-HSG-B9 | G-CAP-9-P | TPA-B9 | RS | LS | MAL | CPA | MSEAL | RSEAL | - | - | - | - | - | - | - | - | - | - | - | - | - | 58 | - | - | - | 54 | 53 | SALEABLE | | 345650003 | |
| | | | | | | | | | | | - | - | - | - | - | - | - | - | - | - | 42 | - | - | - | - | - | - | - | - | | | | - |
| | | | | | | | | | | | | | | | - | - | - | - | - | 27 | - | 25 | - | - | - | - | - | - | - | | | | - |
| MX123 CONN ASSY 73 CKT GRY OPT9 KEY B/33 | 345667343 | C-HSG-B9 | G-CAP-9-P | TPA-B9 | RS | LS | MAL | CPA | MSEAL | RSEAL | 72 | 71 | 70 | 69 | - | - | 66 | 65 | - | - | 62 | 61 | 60 | - | - | 57 | 56 | - | - | 53 | SALEABLE | | 345650003 |
| | | | | | | | | | | | 52 | 51 | 50 | 49 | 48 | 47 | - | - | - | - | 42 | 41 | 40 | - | - | 37 | 36 | - | 34 | 33 | | | |
| | | | | | | | | | | | | | | | - | 31 | - | - | - | - | 26 | 25 | 24 | - | - | 21 | 20 | - | 18 | - | | | |
| MX123 CONN ASSY 73 CKT BLU OPT9 KEY C/40 | 345667353 | C-HSG-C9 | G-CAP-9-P | TPA-C9 | RS | LS | MAL | CPA | MSEAL | RSEAL | 72 | 71 | 70 | - | 68 | - | - | 65 | - | 63 | - | 61 | - | 59 | 58 | - | 56 | - | - | 53 | SALEABLE | | 345650003 |
| | | | | | | | | | | | - | - | - | 49 | - | - | - | - | - | 43 | - | 41 | 40 | 39 | 38 | - | 36 | - | - | - | | | |
| | | | | | | | | | | | | | | | - | 31 | 30 | 29 | - | - | - | 25 | 24 | 23 | 22 | 21 | 20 | - | - | - | | | |
| MX123 CONN ASSY 73 CKT GRY OPT0 KEY B/24 | 345667363 | C-HSG-B0 | G-CAP-0-P | TPA-B0 | RS | LS | MAL | CPA | MSEAL | RSEAL | - | 71 | - | 69 | - | 67 | 66 | 65 | 64 | 63 | - | - | - | - | 58 | 57 | 56 | - | 54 | 53 | SALEABLE | | 345650003 |
| | | | | | | | | | | | - | 51 | 50 | 49 | 48 | 47 | - | 45 | - | - | 42 | - | - | 39 | 38 | 37 | 36 | 35 | 34 | 33 | | | |
| | | | | | | | | | | | | | | | 32 | 31 | 30 | 29 | 28 | 27 | 26 | 25 | 24 | 23 | 22 | 21 | - | - | - | - | | | |
| MX123 CONN ASSY 73 CKT BLK OPT0 KEY A/52 | 345667373 | C-HSG-A0 | G-CAP-0-P | TPA-A0 | RS | LS | MAL | CPA | MSEAL | RSEAL | - | - | - | - | - | 67 | - | - | - | 63 | 62 | - | - | 59 | 58 | - | - | 55 | - | - | SALEABLE | | 345650003 |
| | | | | | | | | | | | - | - | - | - | - | 47 | - | - | - | - | 41 | - | - | - | - | - | - | 35 | - | - | | | |
| | | | | | | | | | | | | | | | 32 | - | - | - | - | 27 | - | - | 24 | - | - | - | - | 19 | 18 | 17 | | | |
| MX123 CONN ASSY 73 CKT BLU OPT0 KEY C/38 | 345667383 | C-HSG-C0 | G-CAP-0-P | TPA-C0 | RS | LS | MAL | CPA | MSEAL | RSEAL | 72 | - | - | 69 | 68 | - | - | - | - | 63 | 62 | - | - | 59 | 58 | - | 56 | 55 | - | 53 | SALEABLE | | 345650003 |
| | | | | | | | | | | | - | - | - | - | - | - | 46 | - | - | 43 | 42 | - | 40 | 39 | 38 | - | 36 | 35 | - | - | | | |
| | | | | | | | | | | | | | | | - | 31 | 30 | 29 | - | - | 26 | - | 24 | 23 | 22 | 21 | 20 | 19 | 18 | - | | | |

| ASSEMBLY DESCRIPTION | ASSEMBLY PART NUMBER | CONNECTOR HOUSING | GROMMET CAP | TPA | RIGHT SLIDE | LEFT SLIDE | MATE ASSIST LEVER | CPA | MAT SEAL | RING SEAL | BLOCKED TERMINALS | | | | | | | | | | | | | | | | | | | | STATUS | COMMENTS | INTEGRAL COMPONENTS SOLD SEPARATELY | |
|--|----------------------|-------------------|-------------|--------|-------------|------------|-------------------|-----|----------|-----------|--|----|----|----|----|----|----|----|----|----|----|----|----|----|----|----|----|----|----|----------|----------|-----------|-------------------------------------|---|
| | | | | | | | | | | | CAVITY WITH A NUMBER INDICATES BLOCKED TERMINAL POSITION | | | | | | | | | | | | | | | | | | | | | | DRESS COVER | |
| | | | | | | | | | | | CAVITY WITHOUT A NUMBER INDICATES OPEN TERMINAL POSITION | | | | | | | | | | | | | | | | | | | | | | | |
| MX123 CONN ASSY 73 CKT GRY OPTO KEY B/19 | 345667393 | C-HSG-B0 | G-CAP-0-P | TPA-B0 | RS | LS | MAL | CPA | MSEAL | RSEAL | - | 71 | 70 | 69 | 68 | 67 | 66 | 65 | 64 | 63 | - | - | 60 | 59 | 58 | 57 | 56 | - | 54 | 53 | SALEABLE | | 345650003 | |
| | | | | | | | | | | | - | 51 | 50 | 49 | - | - | - | 45 | - | - | 42 | 41 | - | 39 | 38 | 37 | 36 | 35 | 34 | 33 | | | | |
| | | | | | | | | | | | | | | | 32 | 31 | 30 | 29 | 28 | 27 | 26 | 25 | 24 | 23 | 22 | 21 | - | - | - | 17 | | | | |
| MX123 CONN ASSY 73 CKT GRY OPTO KEY B/52 | 345667403 | C-HSG-B0 | G-CAP-0-P | TPA-B0 | RS | LS | MAL | CPA | MSEAL | RSEAL | 72 | 71 | 70 | 69 | 68 | 67 | 66 | 65 | 64 | 63 | 62 | 61 | 60 | - | 58 | - | 56 | - | 54 | - | SALEABLE | | 345650003 | |
| | | | | | | | | | | | 52 | 51 | - | - | - | 47 | - | 45 | 44 | 43 | 42 | 41 | 40 | - | 38 | - | 36 | - | 34 | - | | | | |
| | | | | | | | | | | | | | | | 32 | 31 | 30 | - | 28 | 27 | 26 | 25 | 24 | - | 22 | - | 20 | 19 | 18 | 17 | | | | |
| MX123 CONN ASSY 73 CKT BLK OPTO KEY A/53 | 345667413 | C-HSG-A0 | G-CAP-0-P | TPA-A0 | RS | LS | MAL | CPA | MSEAL | RSEAL | - | - | - | - | - | 67 | - | - | - | - | 62 | - | - | 59 | 58 | - | - | 55 | - | - | SALEABLE | | 345650003 | |
| | | | | | | | | | | | 52 | - | - | - | - | 47 | - | - | - | - | - | 41 | - | - | - | - | - | 35 | - | - | | | | |
| | | | | | | | | | | | | | | | - | - | - | - | - | 27 | - | - | 24 | - | - | - | - | 19 | 18 | 17 | | | | |
| MX123 CONN ASSY 73 CKT BLU OPTO KEY C/38 | 345667423 | C-HSG-C0 | G-CAP-0-P | TPA-C0 | RS | LS | MAL | CPA | MSEAL | RSEAL | 72 | 71 | - | - | 68 | - | 66 | 65 | - | 63 | 62 | - | - | 59 | 58 | - | 56 | 55 | - | 53 | SALEABLE | | 345650003 | |
| | | | | | | | | | | | - | - | - | - | - | - | - | - | - | 43 | 42 | - | 40 | 39 | 38 | - | 36 | 35 | - | - | | | | |
| | | | | | | | | | | | | | | | - | 31 | 30 | 29 | - | - | 26 | - | 24 | 23 | 22 | 21 | 20 | 19 | - | - | | | | |
| MX123 CONN ASSY 73 CKT GRY OPTO KEY B/31 | 345667433 | C-HSG-B0 | G-CAP-0-P | TPA-B0 | RS | LS | MAL | CPA | MSEAL | RSEAL | - | 71 | 70 | 69 | - | 67 | 66 | 65 | 64 | 63 | - | - | - | - | 58 | 57 | 56 | - | 54 | 53 | SALEABLE | | 345650003 | |
| | | | | | | | | | | | - | 51 | 50 | 49 | - | - | - | 45 | - | - | 42 | - | - | 39 | - | - | - | - | 34 | 33 | | | | |
| | | | | | | | | | | | | | | | 32 | 31 | - | 29 | 28 | 27 | 26 | 25 | 24 | 23 | 22 | 21 | - | - | - | - | | | | |
| MX123 CONN ASSY 73 CKT BLK OPTO KEY A/50 | 345667443 | C-HSG-A0 | G-CAP-0-P | TPA-A0 | RS | LS | MAL | CPA | MSEAL | RSEAL | - | - | - | - | - | 67 | - | - | - | - | 62 | 61 | - | 59 | 58 | - | - | 55 | - | 53 | SALEABLE | | 345650003 | |
| | | | | | | | | | | | - | - | - | - | - | 47 | - | - | - | - | - | 41 | - | - | - | - | - | 35 | - | 33 | | | | |
| | | | | | | | | | | | | | | | 32 | - | - | - | - | 27 | - | - | 24 | - | - | - | - | 19 | 18 | 17 | | | | |
| MX123 CONN ASSY 73 CKT BLU OPTO KEY C/41 | 345667453 | C-HSG-C0 | G-CAP-0-P | TPA-C0 | RS | LS | MAL | CPA | MSEAL | RSEAL | 72 | - | - | 69 | 68 | - | - | - | - | 63 | 62 | - | - | 59 | - | - | 56 | 55 | - | 53 | SALEABLE | | 345650003 | |
| | | | | | | | | | | | - | - | - | - | - | - | - | 46 | - | - | 43 | 42 | - | 40 | 39 | - | - | 36 | 35 | - | | | | - |
| | | | | | | | | | | | | | | | - | 31 | 30 | 29 | - | - | 26 | - | 24 | 23 | 22 | 21 | 20 | 19 | - | - | | | | |
| MX123 CONN ASSY 73 CKT GRY OPTO KEY B/25 | 345667463 | C-HSG-B0 | G-CAP-0-P | TPA-B0 | RS | LS | MAL | CPA | MSEAL | RSEAL | - | 71 | 70 | 69 | - | 67 | 66 | 65 | 64 | 63 | - | - | 60 | 59 | 58 | 57 | 56 | - | 54 | 53 | SALEABLE | | 345650003 | |
| | | | | | | | | | | | - | 51 | 50 | 49 | - | - | - | 45 | 44 | - | 42 | 41 | - | 39 | 38 | 37 | 36 | 35 | 34 | 33 | | | | |
| | | | | | | | | | | | | | | | 32 | 31 | - | 29 | 28 | 27 | 26 | 25 | 24 | 23 | - | - | - | - | - | 17 | | | | |
| MX123 CONN ASSY 73 CKT GRY OPTO KEY B/27 | 345667473 | C-HSG-B0 | G-CAP-0-P | TPA-B0 | RS | LS | MAL | CPA | MSEAL | RSEAL | - | 71 | 70 | 69 | - | - | 66 | 65 | 64 | - | - | - | 60 | 59 | 58 | 57 | 56 | - | 54 | 53 | SALEABLE | | 345650003 | |
| | | | | | | | | | | | - | 51 | 50 | 49 | - | - | - | 45 | 44 | - | 42 | 41 | - | 39 | 38 | 37 | 36 | 35 | 34 | 33 | | | | |
| | | | | | | | | | | | | | | | 32 | 31 | - | 29 | 28 | - | 26 | 25 | 24 | 23 | - | - | - | - | - | 17 | | | | |
| MX123 CONN ASSY 73 CKT GRY OPTO KEY B/26 | 345667483 | C-HSG-B0 | G-CAP-0-P | TPA-B0 | RS | LS | MAL | CPA | MSEAL | RSEAL | - | 71 | 70 | 69 | - | 67 | 66 | 65 | 64 | 63 | - | - | 60 | 59 | 58 | 57 | 56 | - | 54 | 53 | SALEABLE | | 345650003 | |
| | | | | | | | | | | | - | 51 | 50 | 49 | - | - | - | 45 | 44 | - | 42 | 41 | - | 39 | 38 | 37 | 36 | 35 | 34 | 33 | | | | |
| | | | | | | | | | | | | | | | 32 | 31 | - | 29 | 28 | 27 | 26 | 25 | 24 | 23 | - | - | - | - | - | 17 | | | | |
| MX123 CONN ASSY 73 CKT BLU OPTO KEY C/39 | 345667493 | C-HSG-C0 | G-CAP-0-P | TPA-C0 | RS | LS | MAL | CPA | MSEAL | RSEAL | 72 | 71 | 70 | - | 68 | - | 66 | 65 | - | 63 | - | 61 | - | 59 | 58 | - | 56 | - | - | 53 | SALEABLE | | 345650003 | |
| | | | | | | | | | | | - | - | - | 49 | - | - | - | - | - | 43 | - | 41 | 40 | 39 | 38 | - | 36 | - | - | - | | | | |
| | | | | | | | | | | | | | | | - | 31 | 30 | 29 | - | - | - | 25 | 24 | 23 | 22 | 21 | 20 | - | - | - | | | | |
| MX123 CONN ASSY 73 CKT BLK OPTO KEY A/8 | 345667503 | C-HSG-A0 | G-CAP-0-P | TPA-A0 | RS | LS | MAL | CPA | MSEAL | RSEAL | - | - | - | - | - | - | - | 65 | - | - | - | 61 | - | - | - | - | - | - | - | SALEABLE | | 345650003 | | |
| | | | | | | | | | | | - | - | - | - | - | - | - | 45 | - | - | - | 41 | - | - | - | - | - | - | - | | | | - | |
| | | | | | | | | | | | | | | | - | - | - | - | - | - | 26 | 25 | - | - | - | - | - | - | - | | | | - | |

| ASSEMBLY DESCRIPTION | ASSEMBLY PART NUMBER | CONNECTOR HOUSING | GROMMET CAP | TPA | RIGHT SLIDE | LEFT SLIDE | MATE ASSIST LEVER | CPA | MAT SEAL | RING SEAL | BLOCKED TERMINALS | | | | | | | | | | | | | | | | | | | | STATUS | COMMENTS | INTEGRAL COMPONENTS SOLD SEPARATELY | | | |
|--|----------------------|-------------------|-------------|--------|-------------|------------|-------------------|-----|----------|-----------|--|----|----|----|----|----|----|----|----|----|----|----|----|----|----|----|----|----|----|----|--------|----------|-------------------------------------|----|----|----|
| | | | | | | | | | | | CAVITY WITH A NUMBER INDICATES BLOCKED TERMINAL POSITION | | | | | | | | | | | | | | | | | | | | | | DRESS COVER | | | |
| | | | | | | | | | | | CAVITY WITHOUT A NUMBER INDICATES OPEN TERMINAL POSITION | | | | | | | | | | | | | | | | | | | | | | | | | |
| MX123 CONN ASSY 73 CKT BLK OPT9 KEY A/50 | 345667513 | C-HSG-A9 | G-CAP-9-P | TPA-A9 | RS | LS | MAL | CPA | MSEAL | RSEAL | - | - | - | - | - | 67 | - | - | - | - | - | 62 | - | - | 59 | 58 | - | - | 55 | - | - | | | | | |
| | | | | | | | | | | | - | - | - | - | - | 47 | - | - | - | - | 42 | 41 | - | - | - | - | - | 35 | - | - | | | | | | |
| | | | | | | | | | | | | | | | | | | | | | 27 | 26 | 25 | 24 | - | - | - | - | 19 | 18 | 17 | | | | | |
| | | | | | | | | | | | | | | | | | | | | | 16 | - | - | - | - | 11 | 10 | 9 | 8 | - | - | - | - | 3 | - | 1 |
| MX123 CONN ASSY 73 CKT BLK OPT0 KEY A/37 | 345667523 | C-HSG-A0 | G-CAP-0-P | TPA-A0 | RS | LS | MAL | CPA | MSEAL | RSEAL | - | 71 | 70 | 69 | 68 | 67 | 66 | 65 | - | 63 | - | - | 60 | - | - | - | - | - | - | 53 | | | | | | |
| | | | | | | | | | | | - | - | 50 | 49 | - | - | - | - | 44 | - | 42 | - | - | 39 | 38 | - | 36 | 35 | 34 | - | | | | | | |
| | | | | | | | | | | | | | | | | | | | | | - | 31 | - | - | 28 | - | - | - | 23 | 22 | 21 | - | 19 | 18 | 17 | |
| | | | | | | | | | | | | | | | | | | | | | - | - | 14 | - | 12 | - | - | - | 8 | 7 | 6 | 5 | - | 3 | 2 | 1 |
| MX123 CONN ASSY 73 CKT BLK OPT0 KEY A/1 | 345667543 | C-HSG-A0 | G-CAP-0-P | TPA-A0 | RS | LS | MAL | CPA | MSEAL | RSEAL | 72 | 71 | 70 | 69 | 68 | 67 | 66 | 65 | 64 | 63 | 62 | 61 | 60 | 59 | 58 | 57 | 56 | 55 | 54 | 53 | | | | | | |
| | | | | | | | | | | | 52 | 51 | 50 | 49 | 48 | 47 | 46 | 45 | 44 | 43 | 42 | 41 | 40 | 39 | 38 | 37 | 36 | 35 | 34 | 33 | | | | | | |
| | | | | | | | | | | | | | | | | | | | | | 32 | 31 | 30 | 29 | 28 | 27 | 26 | 25 | 24 | 23 | 22 | 21 | 20 | 19 | 18 | 17 |
| | | | | | | | | | | | | | | | | | | | | | 16 | 15 | 14 | 13 | 12 | 11 | 10 | 9 | 8 | 7 | 6 | 5 | 4 | 3 | 2 | 1 |
| MX123 CONN ASSY 73 CKT GRY OPT0 KEY B/1 | 345667553 | C-HSG-B0 | G-CAP-0-P | TPA-B0 | RS | LS | MAL | CPA | MSEAL | RSEAL | 72 | 71 | 70 | 69 | 68 | 67 | 66 | 65 | 64 | 63 | 62 | 61 | 60 | 59 | 58 | 57 | 56 | 55 | 54 | 53 | | | | | | |
| | | | | | | | | | | | 52 | 51 | 50 | 49 | 48 | 47 | 46 | 45 | 44 | 43 | 42 | 41 | 40 | 39 | 38 | 37 | 36 | 35 | 34 | 33 | | | | | | |
| | | | | | | | | | | | | | | | | | | | | | 32 | 31 | 30 | 29 | 28 | 27 | 26 | 25 | 24 | 23 | 22 | 21 | 20 | 19 | 18 | 17 |
| | | | | | | | | | | | | | | | | | | | | | 16 | 15 | 14 | 13 | 12 | 11 | 10 | 9 | 8 | 7 | 6 | 5 | 4 | 3 | 2 | 1 |
| MX123 CONN ASSY 73 CKT BLU OPT0 KEY C/1 | 345667563 | C-HSG-C0 | G-CAP-0-P | TPA-C0 | RS | LS | MAL | CPA | MSEAL | RSEAL | 72 | 71 | 70 | 69 | 68 | 67 | 66 | 65 | 64 | 63 | 62 | 61 | 60 | 59 | 58 | 57 | 56 | 55 | 54 | 53 | | | | | | |
| | | | | | | | | | | | 52 | 51 | 50 | 49 | 48 | 47 | 46 | 45 | 44 | 43 | 42 | 41 | 40 | 39 | 38 | 37 | 36 | 35 | 34 | 33 | | | | | | |
| | | | | | | | | | | | | | | | | | | | | | 32 | 31 | 30 | 29 | 28 | 27 | 26 | 25 | 24 | 23 | 22 | 21 | 20 | 19 | 18 | 17 |
| | | | | | | | | | | | | | | | | | | | | | 16 | 15 | 14 | 13 | 12 | 11 | 10 | 9 | 8 | 7 | 6 | 5 | 4 | 3 | 2 | 1 |
| MX123 CONN ASSY 73 CKT GRY OPT0 KEY B/27 | 345667573 | C-HSG-B0 | G-CAP-0-P | TPA-B0 | RS | LS | MAL | CPA | MSEAL | RSEAL | - | 71 | - | 69 | - | 67 | 66 | 65 | 64 | 63 | - | - | 60 | 59 | 58 | 57 | 56 | - | 54 | 53 | | | | | | |
| | | | | | | | | | | | - | 51 | 50 | 49 | - | - | - | 45 | 44 | - | 42 | 41 | - | 39 | 38 | 37 | 36 | 35 | 34 | 33 | | | | | | |
| | | | | | | | | | | | | | | | | | | | | | 32 | 31 | - | 29 | 28 | 27 | 26 | 25 | 24 | 23 | - | - | - | - | - | |
| | | | | | | | | | | | | | | | | | | | | | - | - | - | 13 | 12 | 11 | 10 | 9 | - | 7 | - | 5 | - | 3 | - | 1 |
| MX123 CONN ASSY 73 CKT BLK OPT9 KEY A/37 | 345667583 | C-HSG-A9 | G-CAP-9-P | TPA-A9 | RS | LS | MAL | CPA | MSEAL | RSEAL | - | 71 | - | 69 | 68 | - | 66 | 65 | 64 | - | 62 | 61 | - | - | - | - | 56 | 55 | 54 | 53 | | | | | | |
| | | | | | | | | | | | - | 51 | 50 | 49 | - | - | - | 45 | 44 | - | 41 | - | - | - | - | - | 36 | 35 | 34 | 33 | | | | | | |
| | | | | | | | | | | | | | | | | | | | | | - | - | - | - | - | - | 26 | 25 | 24 | 23 | - | - | 20 | 19 | 18 | 17 |
| | | | | | | | | | | | | | | | | | | | | | - | - | - | - | - | - | 10 | - | 8 | - | 6 | 5 | 4 | 3 | - | - |
| MX123 CONN ASSY 73 CKT BLK OPT9 KEY A/52 | 345667593 | C-HSG-A9 | G-CAP-9-P | TPA-A9 | RS | LS | MAL | CPA | MSEAL | RSEAL | - | 71 | - | - | - | 67 | 66 | 65 | - | 63 | - | - | 60 | - | - | - | - | - | - | | | | | | | |
| | | | | | | | | | | | - | - | - | 49 | - | - | - | - | 44 | - | 42 | - | - | 39 | 38 | - | 36 | - | 34 | - | | | | | | |
| | | | | | | | | | | | | | | | | | | | | | - | 31 | - | - | 28 | - | - | - | 23 | 22 | 21 | - | - | - | 17 | |
| | | | | | | | | | | | | | | | | | | | | | - | - | - | - | - | - | - | - | - | 7 | 6 | - | - | - | - | - |
| MX123 CONN ASSY 73 CKT GRY OPT0 KEY B/48 | 345667603 | C-HSG-B0 | G-CAP-0-P | TPA-B0 | RS | LS | MAL | CPA | MSEAL | RSEAL | 72 | 71 | 70 | - | - | 67 | - | 65 | 64 | 63 | 62 | 61 | 60 | - | 58 | - | 56 | - | 54 | - | | | | | | |
| | | | | | | | | | | | 52 | 51 | 50 | - | - | 47 | - | 45 | - | 43 | 42 | 41 | 40 | - | 38 | - | 36 | - | 34 | - | | | | | | |
| | | | | | | | | | | | | | | | | | | | | | 32 | 31 | 30 | - | - | 27 | 26 | 25 | 24 | - | 22 | - | 20 | 19 | - | - |
| | | | | | | | | | | | | | | | | | | | | | 16 | 15 | 14 | 13 | - | - | - | 9 | 8 | - | 6 | 5 | 4 | 3 | 2 | 1 |
| MX123 CONN ASSY 73 CKT BLK OPT9 KEY A/64 | 345667633 | C-HSG-A9 | G-CAP-9-P | TPA-A9 | RS | LS | MAL | CPA | MSEAL | RSEAL | - | - | - | - | - | - | - | - | - | - | 62 | 61 | - | - | - | - | - | - | 53 | | | | | | | |
| | | | | | | | | | | | - | - | - | - | - | - | - | - | - | - | - | - | - | - | - | - | - | - | - | 33 | | | | | | |
| | | | | | | | | | | | | | | | | | | | | | - | - | - | - | - | - | - | - | 24 | - | - | - | - | 19 | - | - |
| | | | | | | | | | | | | | | | | | | | | | - | - | - | - | - | - | 10 | - | 8 | - | - | - | - | 3 | - | - |
| MX123 CONN ASSY 73 CKT GRY OPT9 KEY B/21 | 345667643 | C-HSG-B9 | G-CAP-9-P | TPA-B9 | RS | LS | MAL | CPA | MSEAL | RSEAL | 72 | 71 | 70 | 69 | - | - | 66 | 65 | - | 63 | 62 | 61 | 60 | - | - | 57 | 56 | 55 | 54 | 53 | | | | | | |
| | | | | | | | | | | | 52 | 51 | 50 | 49 | 48 | 47 | - | - | 44 | 43 | 42 | 41 | 40 | - | - | 37 | 36 | 35 | 34 | 33 | | | | | | |
| | | | | | | | | | | | | | | | | | | | | | - | 31 | - | - | - | 26 | 25 | 24 | - | - | 21 | 20 | 19 | 18 | - | |
| | | | | | | | | | | | | | | | | | | | | | 16 | 15 | 14 | 13 | 12 | 11 | - | 9 | 8 | - | 6 | 5 | 4 | 3 | 2 | - |
| MX123 CONN ASSY 73 CKT GRY OPT0 KEY B/24 | 345667653 | C-HSG-B0 | G-CAP-0-P | TPA-B0 | RS | LS | MAL | CPA | MSEAL | RSEAL | - | 71 | - | 69 | 68 | 67 | 66 | 65 | 64 | 63 | - | - | 60 | 59 | 58 | 57 | 56 | - | 54 | 53 | | | | | | |
| | | | | | | | | | | | - | 51 | 50 | 49 | - | - | - | 45 | 44 | - | 42 | 41 | - | 39 | 38 | 37 | 36 | 35 | 34 | 33 | | | | | | |
| | | | | | | | | | | | | | | | | | | | | | 32 | 31 | - | 29 | 28 | 27 | 26 | 25 | 24 | 23 | - | - | - | - | 17 | |
| | | | | | | | | | | | | | | | | | | | | | - | - | - | 13 | 12 | 11 | 10 | 9 | 8 | 7 | - | 5 | - | 3 | - | 1 |

| ASSEMBLY DESCRIPTION | ASSEMBLY PART NUMBER | CONNECTOR HOUSING | GROMMET CAP | TPA | RIGHT SLIDE | LEFT SLIDE | MATE ASSIST LEVER | CPA | MAT SEAL | RING SEAL | BLOCKED TERMINALS | | | | | | | | | | | | | | | | | | | | STATUS | COMMENTS | INTEGRAL COMPONENTS SOLD SEPARATELY |
|--|----------------------|-------------------|-------------|--------|-------------|------------|-------------------|-----|----------|-----------|--|----|----|----|----|----|----|----|----|----|----|----|----|----|----|----|----|----|----------|----------|-----------|-----------|-------------------------------------|
| | | | | | | | | | | | CAVITY WITH A NUMBER INDICATES BLOCKED TERMINAL POSITION | | | | | | | | | | | | | | | | | | | | | | DRESS COVER |
| | | | | | | | | | | | CAVITY WITHOUT A NUMBER INDICATES OPEN TERMINAL POSITION | | | | | | | | | | | | | | | | | | | | | | |
| MX123 CONN ASSY 73 CKT GRY OPT0 KEY B/36 | 345667663 | C-HSG-B0 | G-CAP-0-P | TPA-B0 | RS | LS | MAL | CPA | MSEAL | RSEAL | - | 71 | - | 69 | - | 67 | 66 | 65 | 64 | 63 | - | - | - | - | 58 | 57 | 56 | - | 54 | 53 | SALEABLE | | 345650003 |
| | | | | | | | | | | | - | 51 | 50 | 49 | - | - | - | 45 | - | - | 42 | - | - | 39 | - | - | - | - | 34 | - | | | |
| | | | | | | | | | | | - | - | - | - | 32 | 31 | - | 29 | 28 | 27 | 26 | 25 | 24 | 23 | - | - | - | - | - | - | | | |
| MX123 CONN ASSY 73 CKT BLU OPT0 KEY C/46 | 345667673 | C-HSG-C0 | G-CAP-0-P | TPA-C0 | RS | LS | MAL | CPA | MSEAL | RSEAL | 72 | - | - | - | 68 | - | - | - | - | 63 | 62 | - | - | - | - | 56 | 55 | - | 53 | SALEABLE | | 345650003 | |
| | | | | | | | | | | | - | - | - | - | - | - | - | - | 43 | 42 | - | 40 | - | - | - | 36 | 35 | - | - | | | | |
| | | | | | | | | | | | - | - | - | - | - | 31 | 30 | 29 | - | - | 26 | - | 24 | - | 22 | 21 | 20 | 19 | - | | | | - |
| MX123 CONN ASSY 73 CKT GRY OPT9 KEY B/67 | 345667683 | C-HSG-B9 | G-CAP-9-P | TPA-B9 | RS | LS | MAL | CPA | MSEAL | RSEAL | - | - | - | - | - | - | - | - | - | - | - | - | - | 58 | - | - | - | 54 | 53 | SALEABLE | | 345650003 | |
| | | | | | | | | | | | - | - | - | - | - | - | - | - | - | - | - | - | - | - | - | - | - | - | - | | | | |
| | | | | | | | | | | | - | - | - | - | - | - | - | - | - | 27 | - | - | - | - | - | - | - | - | - | | | | - |
| MX123 CONN ASSY 73 CKT BLK OPT9 KEY A/31 | 345667693 | C-HSG-A9 | G-CAP-9-P | TPA-A9 | RS | LS | MAL | CPA | MSEAL | RSEAL | - | 71 | 70 | 69 | 68 | 67 | 66 | 65 | - | 63 | - | - | 60 | 59 | 58 | - | - | - | - | 53 | SALEABLE | | 345650003 |
| | | | | | | | | | | | - | - | 50 | 49 | 48 | 47 | - | - | 44 | - | 42 | 41 | - | 39 | 38 | - | 36 | - | - | 33 | | | |
| | | | | | | | | | | | - | - | - | - | - | 31 | - | - | 28 | - | 26 | - | 24 | 23 | 22 | 21 | - | 19 | 18 | 17 | | | |
| MX123 CONN ASSY 73 CKT BLK OPT0 KEY A/26 | 345667703 | C-HSG-A0 | G-CAP-0-P | TPA-A0 | RS | LS | MAL | CPA | MSEAL | RSEAL | - | - | - | - | - | - | 65 | - | - | - | 61 | - | - | 58 | 57 | 56 | - | - | - | SALEABLE | | 345650003 | |
| | | | | | | | | | | | - | 51 | 50 | - | - | 47 | 46 | 45 | - | - | - | 41 | - | - | 38 | 37 | 36 | - | - | | | | - |
| | | | | | | | | | | | - | - | - | - | - | 31 | 30 | - | 28 | - | 26 | 25 | - | - | 22 | 21 | 20 | - | - | | | | - |
| MX123 CONN ASSY 73 CKT BLK OPT9 KEY A/35 | 345667713 | C-HSG-A9 | G-CAP-9-P | TPA-A9 | RS | LS | MAL | CPA | MSEAL | RSEAL | - | 71 | 70 | 69 | 68 | 67 | 66 | 65 | - | 63 | - | - | 60 | 59 | - | - | - | - | 53 | SALEABLE | | 345650003 | |
| | | | | | | | | | | | - | - | 50 | 49 | - | 47 | - | - | 44 | - | 42 | - | - | 39 | 38 | - | 36 | - | - | | | | 33 |
| | | | | | | | | | | | - | - | - | - | - | 31 | - | - | 28 | - | 26 | - | 24 | 23 | 22 | 21 | - | 19 | 18 | | | | 17 |
| MX123 CONN ASSY 73 CKT BLK OPT9 KEY A/30 | 345667723 | C-HSG-A9 | G-CAP-9-P | TPA-A9 | RS | LS | MAL | CPA | MSEAL | RSEAL | - | 71 | 70 | 69 | 68 | 67 | 66 | 65 | - | 63 | - | - | 60 | 59 | 58 | - | - | - | - | SALEABLE | | 345650003 | |
| | | | | | | | | | | | - | - | 50 | 49 | 48 | 47 | - | - | 44 | - | 42 | 41 | - | 39 | 38 | - | 36 | 35 | 34 | | | | 33 |
| | | | | | | | | | | | - | - | - | - | - | 31 | - | - | 28 | - | 26 | - | 24 | 23 | 22 | 21 | - | 19 | 18 | | | | 17 |
| MX123 CONN ASSY 73 CKT BLK OPT9 KEY A/34 | 345667733 | C-HSG-A9 | G-CAP-9-P | TPA-A9 | RS | LS | MAL | CPA | MSEAL | RSEAL | - | 71 | 70 | 69 | 68 | 67 | 66 | 65 | - | 63 | - | - | 60 | 59 | - | - | - | - | SALEABLE | | 345650003 | | |
| | | | | | | | | | | | - | - | 50 | 49 | - | 47 | - | - | 44 | - | 42 | - | - | 39 | 38 | - | 36 | 35 | | | | 34 | 33 |
| | | | | | | | | | | | - | - | - | - | - | 31 | - | - | 28 | - | 26 | - | 24 | 23 | 22 | 21 | - | 19 | | | | 18 | 17 |
| MX123 CONN ASSY 73 CKT BLU OPT0 KEY C/45 | 345667743 | C-HSG-C0 | G-CAP-0-P | TPA-C0 | RS | LS | MAL | CPA | MSEAL | RSEAL | - | 71 | - | 69 | - | - | - | 65 | 64 | - | - | 61 | 60 | - | 58 | - | 56 | 55 | 54 | - | SALEABLE | | 345650003 |
| | | | | | | | | | | | - | - | 50 | - | - | - | - | 45 | - | 43 | 42 | - | - | - | 38 | - | - | - | - | | | | |
| | | | | | | | | | | | - | - | - | - | - | 31 | - | 29 | 28 | - | - | - | - | 23 | - | - | - | 19 | 18 | 17 | | | |
| MX123 CONN ASSY 73 CKT BLK OPT0 KEY A/51 | 345667753 | C-HSG-A0 | G-CAP-0-P | TPA-A0 | RS | LS | MAL | CPA | MSEAL | RSEAL | 72 | - | - | - | - | - | 66 | 65 | - | - | - | - | - | - | - | - | - | - | SALEABLE | | 345650003 | | |
| | | | | | | | | | | | - | - | - | - | 48 | 47 | 46 | - | - | - | - | - | 40 | - | - | - | - | 35 | | | | - | 33 |
| | | | | | | | | | | | - | - | - | - | - | - | 30 | - | - | - | - | - | 24 | 23 | 22 | 21 | 20 | - | | | | - | 17 |
| MX123 CONN ASSY 73 CKT NAT OPT0 KEY F/1 | 345667763 | C-HSG-F0 | G-CAP-0-P | TPA-F0 | RS | LS | MAL | CPA | MSEAL | RSEAL | 72 | 71 | 70 | 69 | 68 | 67 | 66 | 65 | 64 | 63 | 62 | 61 | 60 | 59 | 58 | 57 | 56 | 55 | 54 | 53 | SALEABLE | | 345650003 |
| | | | | | | | | | | | 52 | 51 | 50 | 49 | 48 | 47 | 46 | 45 | 44 | 43 | 42 | 41 | 40 | 39 | 38 | 37 | 36 | 35 | 34 | 33 | | | |
| | | | | | | | | | | | - | - | - | - | 32 | 31 | 30 | 29 | 28 | 27 | 26 | 25 | 24 | 23 | 22 | 21 | 20 | 19 | 18 | 17 | | | |
| MX123 CONN ASSY 73 CKT GRY OPT0 KEY B/25 | 345667773 | C-HSG-B0 | G-CAP-0-P | TPA-B0 | RS | LS | MAL | CPA | MSEAL | RSEAL | - | 71 | - | 69 | 68 | - | 66 | 65 | 64 | - | - | - | - | 58 | 57 | 56 | 55 | 54 | 53 | SALEABLE | | 345650003 | |
| | | | | | | | | | | | - | 51 | 50 | 49 | 48 | 47 | - | 45 | 44 | - | 42 | - | - | 39 | 38 | 37 | 36 | 35 | 34 | | | | 33 |
| | | | | | | | | | | | - | - | - | - | 32 | 31 | 30 | 29 | 28 | - | 26 | 25 | 24 | 23 | - | - | - | - | - | | | | 17 |

| ASSEMBLY DESCRIPTION | ASSEMBLY PART NUMBER | CONNECTOR HOUSING | GROMMET CAP | TPA | RIGHT SLIDE | LEFT SLIDE | MATE ASSIST LEVER | CPA | MAT SEAL | RING SEAL | BLOCKED TERMINALS | | | | | | | | | | | | | | | | | | | STATUS | COMMENTS | INTEGRAL COMPONENTS SOLD SEPARATELY | | | | | | | | | | | | | | | | |
|--|----------------------|-------------------|-------------|--------|-------------|------------|-------------------|-----|----------|-----------|--|----|----|----|----|----|----|----|----|----|----|----|----|----|----|----|----|----|----------|--------|-----------|-------------------------------------|-----------|-----------|----|----|----|----|----|----|----|----|----|----|----|----|----|----|
| | | | | | | | | | | | CAVITY WITH A NUMBER INDICATES BLOCKED TERMINAL POSITION | | | | | | | | | | | | | | | | | | | | | DRESS COVER | | | | | | | | | | | | | | | | |
| | | | | | | | | | | | CAVITY WITHOUT A NUMBER INDICATES OPEN TERMINAL POSITION | | | | | | | | | | | | | | | | | | | | | | | | | | | | | | | | | | | | | |
| MX123 CONN ASSY 73 CKT BLK OPT0 KEY A/51 | 345667783 | C-HSG-A0 | G-CAP-0-P | TPA-A0 | RS | LS | MAL | CPA | MSEAL | RSEAL | - | - | - | - | - | 67 | - | - | - | - | - | 62 | 61 | - | 59 | 58 | - | - | 55 | - | 53 | SALEABLE | | 345650003 | | | | | | | | | | | | | | |
| | | | | | | | | | | | - | - | - | - | - | 47 | - | - | - | - | - | - | - | - | - | - | - | - | - | - | - | | | | - | - | - | - | 35 | - | 33 | | | | | | | |
| | | | | | | | | | | | - | | | | | | | | | | | | | | | | | | | 27 | - | | | | - | 24 | - | - | - | 20 | 19 | 18 | 17 | | | | | |
| | | | | | | | | | | | - | | | | | | | | | | | | | | | | | | | 16 | - | | | | - | - | - | 11 | 10 | - | 8 | - | - | - | 4 | 3 | - | - |
| MX123 CONN ASSY 73 CKT BLK OPT0 KEY A/40 | 345667793 | C-HSG-A0 | G-CAP-0-P | TPA-A0 | RS | LS | MAL | CPA | MSEAL | RSEAL | - | 71 | - | 69 | 68 | - | - | - | 64 | - | 62 | 61 | - | - | - | - | - | - | 54 | 53 | SALEABLE | | 345650003 | | | | | | | | | | | | | | | |
| | | | | | | | | | | | - | - | 50 | - | - | - | - | 44 | - | - | 41 | - | - | - | - | - | - | - | - | 34 | | | | 33 | | | | | | | | | | | | | | |
| | | | | | | | | | | | - | | | | | | | | | | | | | | | | | | | 32 | | | | 31 | 30 | 29 | - | - | 26 | 25 | 24 | - | - | - | 20 | 19 | - | - |
| | | | | | | | | | | | - | | | | | | | | | | | | | | | | | | | 16 | | | | 15 | 14 | 13 | - | - | 10 | - | 8 | 7 | 6 | 5 | 4 | 3 | - | - |
| MX123 CONN ASSY 73 CKT BLK OPT0 KEY A/26 | 345667803 | C-HSG-A0 | G-CAP-0-P | TPA-A0 | RS | LS | MAL | CPA | MSEAL | RSEAL | - | - | - | 69 | - | 67 | - | 65 | - | - | - | - | - | - | 58 | 57 | 56 | - | - | - | SALEABLE | | 345650003 | | | | | | | | | | | | | | | |
| | | | | | | | | | | | - | 51 | 50 | - | - | 47 | - | 45 | - | - | - | 41 | - | - | 38 | 37 | 36 | - | - | - | | | | | | | | | | | | | | | | | | |
| | | | | | | | | | | | - | | | | | | | | | | | | | | | | | | | - | | | | 31 | 30 | - | - | - | 26 | 25 | - | - | 22 | 21 | 20 | - | - | - |
| | | | | | | | | | | | - | | | | | | | | | | | | | | | | | | | - | | | | 15 | - | - | - | - | 10 | - | - | - | - | 5 | 4 | - | - | - |
| MX123 CONN ASSY 73 CKT BLK OPT0 KEY A/50 | 345667813 | C-HSG-A0 | G-CAP-0-P | TPA-A0 | RS | LS | MAL | CPA | MSEAL | RSEAL | 72 | 71 | - | - | - | - | 66 | 65 | 64 | - | - | - | - | - | - | - | - | - | SALEABLE | | 345650003 | | | | | | | | | | | | | | | | | |
| | | | | | | | | | | | - | - | - | - | 48 | 47 | 46 | 45 | - | - | - | - | - | - | - | - | - | 35 | | | | - | 33 | | | | | | | | | | | | | | | |
| | | | | | | | | | | | - | | | | | | | | | | | | | | | | | | | | | - | 31 | 30 | - | - | - | - | - | 24 | 23 | 22 | - | 20 | - | - | 17 | |
| | | | | | | | | | | | - | | | | | | | | | | | | | | | | | | | | | - | - | - | - | - | - | - | - | - | 7 | 6 | - | 4 | - | 2 | 1 | |
| MX123 CONN ASSY 73 CKT GRY OPT0 KEY B/32 | 345667823 | C-HSG-B0 | G-CAP-0-P | TPA-B0 | RS | LS | MAL | CPA | MSEAL | RSEAL | - | 71 | 70 | 69 | - | - | 66 | 65 | 64 | - | - | - | - | - | 58 | 57 | 56 | 55 | 54 | 53 | SALEABLE | | 345650003 | | | | | | | | | | | | | | | |
| | | | | | | | | | | | - | 51 | 50 | 49 | - | - | - | 45 | - | - | 42 | - | - | 39 | - | - | - | - | 34 | 33 | | | | | | | | | | | | | | | | | | |
| | | | | | | | | | | | - | | | | | | | | | | | | | | | | | | | 32 | | | | 31 | - | 29 | 28 | - | 26 | 25 | 24 | 23 | 22 | 21 | - | - | - | 17 |
| | | | | | | | | | | | - | | | | | | | | | | | | | | | | | | | - | | | | 15 | - | 13 | 12 | - | 10 | 9 | - | 7 | 6 | 5 | - | 3 | 2 | - |
| MX123 CONN ASSY 73 CKT GRY OPT0 KEY B/64 | 345667833 | C-HSG-B0 | G-CAP-0-P | TPA-B0 | RS | LS | MAL | CPA | MSEAL | RSEAL | - | - | - | - | - | - | - | - | - | - | 62 | - | - | - | 58 | - | - | - | 54 | 53 | SALEABLE | | 345650003 | | | | | | | | | | | | | | | |
| | | | | | | | | | | | - | - | - | - | - | - | - | - | - | - | 42 | - | - | - | - | - | - | - | - | - | | | | | | | | | | | | | | | | | | |
| | | | | | | | | | | | - | | | | | | | | | | | | | | | | | | | - | | | | - | - | - | - | 27 | - | - | - | - | - | - | - | - | - | - |
| | | | | | | | | | | | - | | | | | | | | | | | | | | | | | | | - | | | | - | - | - | - | 11 | 10 | 9 | - | - | - | - | - | - | - | - |
| MX123 CONN ASSY 73 CKT BLU OPT9 KEY C/38 | 345667843 | C-HSG-C9 | G-CAP-9-P | TPA-C9 | RS | LS | MAL | CPA | MSEAL | RSEAL | 72 | - | 70 | 69 | 68 | - | 66 | - | - | 63 | - | - | - | 59 | - | - | 56 | 55 | - | 53 | SALEABLE | | 345650003 | | | | | | | | | | | | | | | |
| | | | | | | | | | | | - | - | - | - | - | - | 46 | - | - | 43 | - | - | 40 | 39 | - | - | 36 | 35 | - | - | | | | | | | | | | | | | | | | | | |
| | | | | | | | | | | | - | | | | | | | | | | | | | | | | | | | 32 | | | | 31 | 30 | 29 | - | - | - | - | 24 | 23 | 22 | 21 | 20 | 19 | - | 17 |
| | | | | | | | | | | | - | | | | | | | | | | | | | | | | | | | - | | | | - | - | - | - | - | - | - | 8 | 7 | 6 | 5 | 4 | 3 | 2 | 1 |
| MX123 CONN ASSY 73 CKT BLU OPT9 KEY C/41 | 345667853 | C-HSG-C9 | G-CAP-9-P | TPA-C9 | RS | LS | MAL | CPA | MSEAL | RSEAL | - | - | - | - | 68 | - | - | 65 | - | 63 | 62 | 61 | 60 | 59 | 58 | 57 | 56 | 55 | - | 53 | SALEABLE | | 345650003 | | | | | | | | | | | | | | | |
| | | | | | | | | | | | - | - | - | - | 48 | - | - | 45 | - | 43 | 42 | 41 | 40 | - | - | 37 | 36 | 35 | 34 | 33 | | | | | | | | | | | | | | | | | | |
| | | | | | | | | | | | - | | | | | | | | | | | | | | | | | | | 32 | | | | 31 | - | - | - | - | - | - | - | - | - | - | 20 | 19 | 18 | - |
| | | | | | | | | | | | - | | | | | | | | | | | | | | | | | | | - | | | | - | - | - | - | - | - | - | - | - | - | - | - | 4 | 3 | 2 |
| MX123 CONN ASSY 73 CKT BLU OPT9 KEY C/41 | 345667863 | C-HSG-C9 | G-CAP-9-P | TPA-C9 | RS | LS | MAL | CPA | MSEAL | RSEAL | - | 71 | - | 69 | - | - | - | 65 | 64 | - | - | 61 | 60 | - | 58 | - | 56 | 55 | 54 | - | SALEABLE | | 345650003 | | | | | | | | | | | | | | | |
| | | | | | | | | | | | - | - | 50 | 49 | - | - | - | 45 | - | 43 | 42 | 41 | - | - | 38 | - | - | - | - | - | | | | | | | | | | | | | | | | | | |
| | | | | | | | | | | | - | | | | | | | | | | | | | | | | | | | - | | | | 31 | - | 29 | 28 | - | - | - | - | 23 | - | - | 20 | 19 | 18 | 17 |
| | | | | | | | | | | | - | | | | | | | | | | | | | | | | | | | 16 | | | | - | - | 13 | 12 | 11 | - | - | - | 7 | - | - | - | 3 | - | 1 |
| MX123 CONN ASSY 73 CKT BLK OPT9 KEY A/29 | 345667873 | C-HSG-A9 | G-CAP-9-P | TPA-A9 | RS | LS | MAL | CPA | MSEAL | RSEAL | 72 | - | 70 | - | 68 | 67 | 66 | - | - | 63 | 62 | - | - | 59 | - | 57 | - | - | - | 53 | SALEABLE | | 345650003 | | | | | | | | | | | | | | | |
| | | | | | | | | | | | 52 | 51 | - | 49 | 48 | 47 | 46 | - | 44 | - | - | 41 | 40 | 39 | - | 37 | 36 | - | 34 | 33 | | | | | | | | | | | | | | | | | | |
| | | | | | | | | | | | - | | | | | | | | | | | | | | | | | | | 32 | | | | - | 30 | - | - | 27 | 26 | 25 | 24 | - | 22 | 21 | 20 | - | - | - |
| | | | | | | | | | | | - | | | | | | | | | | | | | | | | | | | - | | | | 15 | 14 | 13 | - | - | 10 | 9 | 8 | 7 | 6 | 5 | 4 | - | 2 | - |
| MX123 CONN ASSY 73 CKT BLK OPT9 KEY A/30 | 345667883 | C-HSG-A9 | G-CAP-9-P | TPA-A9 | RS | LS | MAL | CPA | MSEAL | RSEAL | - | 71 | 70 | 69 | - | - | - | - | 64 | 63 | 62 | 61 | 60 | 59 | 58 | 57 | 56 | 55 | 54 | 53 | SALEABLE | | 345650003 | | | | | | | | | | | | | | | |
| | | | | | | | | | | | 52 | 51 | 50 | 49 | - | - | 46 | 45 | 44 | 43 | 42 | 41 | - | 39 | - | 37 | 36 | - | 34 | - | | | | | | | | | | | | | | | | | | |
| | | | | | | | | | | | - | | | | | | | | | | | | | | | | | | | 32 | | | | - | - | 29 | 28 | 27 | 26 | - | - | - | - | - | - | - | 18 | - |
| | | | | | | | | | | | - | | | | | | | | | | | | | | | | | | | 16 | | | | 15 | 14 | 13 | 12 | 11 | 10 | - | - | - | - | - | - | 3 | - | - |
| MX123 CONN ASSY 73 CKT BLK OPT9 KEY A/51 | 345667893 | C-HSG-A9 | G-CAP-9-P | TPA-A9 | RS | LS | MAL | CPA | MSEAL | RSEAL | - | - | - | - | - | 67 | - | - | - | - | 62 | - | - | 59 | 58 | - | - | 55 | - | - | SALEABLE | | 345650003 | | | | | | | | | | | | | | | |
| | | | | | | | | | | | - | - | - | - | - | 47 | - | - | - | - | - | 41 | - | - | - | - | - | 35 | - | - | | | | | | | | | | | | | | | | | | |
| | | | | | | | | | | | - | | | | | | | | | | | | | | | | | | | - | | | | - | - | - | - | 27 | 26 | 25 | 24 | - | - | - | - | 19 | 18 | 17 |
| | | | | | | | | | | | - | | | | | | | | | | | | | | | | | | | 16 | | | | - | - | - | - | 11 | 10 | 9 | 8 | - | - | - | - | 3 | - | 1 |

| ASSEMBLY DESCRIPTION | ASSEMBLY PART NUMBER | CONNECTOR HOUSING | GROMMET CAP | TPA | RIGHT SLIDE | LEFT SLIDE | MATE ASSIST LEVER | CPA | MAT SEAL | RING SEAL | BLOCKED TERMINALS | | | | | | | | | | | | | | | | | | | | STATUS | COMMENTS | INTEGRAL COMPONENTS SOLD SEPARATELY | |
|--|----------------------|-------------------|-------------|--------|-------------|------------|-------------------|-----|----------|-----------|--|----|----|----|----|----|----|----|----|----|----|----|----|----|----|----|----|----|----|----|----------|----------|-------------------------------------|----|
| | | | | | | | | | | | CAVITY WITH A NUMBER INDICATES BLOCKED TERMINAL POSITION | | | | | | | | | | | | | | | | | | | | | | DRESS COVER | |
| | | | | | | | | | | | CAVITY WITHOUT A NUMBER INDICATES OPEN TERMINAL POSITION | | | | | | | | | | | | | | | | | | | | | | | |
| MX123 CONN ASSY 73 CKT GRY OPT0 KEY B/39 | 345667903 | C-HSG-B0 | G-CAP-0-P | TPA-B0 | RS | LS | MAL | CPA | MSEAL | RSEAL | 72 | 71 | 70 | 69 | 68 | 67 | 66 | 65 | - | 63 | 62 | - | 60 | - | 58 | - | 56 | - | 54 | - | SALEABLE | | 345650003 | |
| | | | | | | | | | | | 52 | 51 | 50 | 49 | 48 | 47 | 46 | 45 | 44 | 43 | - | 41 | 40 | - | 38 | 37 | 36 | - | 34 | - | | | | |
| | | | | | | | | | | | | | | | 32 | 31 | 30 | 29 | 28 | 27 | 26 | 25 | 24 | - | 22 | 21 | - | - | 18 | 17 | | | | |
| MX123 CONN ASSY 73 CKT BLU OPT0 KEY C/37 | 345667923 | C-HSG-C0 | G-CAP-0-P | TPA-C0 | RS | LS | MAL | CPA | MSEAL | RSEAL | 72 | - | - | 69 | 68 | - | 66 | 65 | - | 63 | 62 | - | - | 59 | 58 | - | 56 | 55 | - | 53 | SALEABLE | | 345650003 | |
| | | | | | | | | | | | - | - | - | - | - | - | 46 | - | - | 43 | 42 | - | 40 | 39 | 38 | - | 36 | 35 | - | - | | | | |
| | | | | | | | | | | | | | | | - | 31 | 30 | 29 | - | - | 26 | - | 24 | 23 | 22 | 21 | 20 | 19 | - | - | | | | |
| MX123 CONN ASSY 73 CKT BLK OPT0 KEY A/50 | 345667933 | C-HSG-A0 | G-CAP-0-P | TPA-A0 | RS | LS | MAL | CPA | MSEAL | RSEAL | - | - | - | - | - | 67 | - | - | - | - | 62 | - | - | 59 | 58 | - | - | 55 | - | - | SALEABLE | | 345650003 | |
| | | | | | | | | | | | - | - | - | - | - | 47 | - | - | - | - | 42 | 41 | - | - | - | - | 35 | - | - | | | | | |
| | | | | | | | | | | | | | | | - | - | - | - | - | 27 | 26 | 25 | 24 | - | - | - | - | 19 | 18 | 17 | | | | |
| MX123 CONN ASSY 73 CKT GRY OPT0 KEY B/32 | 345667943 | C-HSG-B0 | G-CAP-0-P | TPA-B0 | RS | LS | MAL | CPA | MSEAL | RSEAL | - | 71 | 70 | 69 | 68 | 67 | 66 | 65 | 64 | 63 | - | - | - | - | 58 | 57 | 56 | - | 54 | 53 | SALEABLE | | 345650003 | |
| | | | | | | | | | | | - | 51 | 50 | 49 | - | - | - | 45 | 44 | - | 42 | - | - | 39 | - | - | - | - | 34 | 33 | | | | |
| | | | | | | | | | | | | | | | 32 | - | - | 29 | 28 | 27 | 26 | 25 | 24 | 23 | - | - | - | - | - | - | | | | |
| MX123 CONN ASSY 73 CKT GRY OPT0 KEY B/32 | 345667953 | C-HSG-B0 | G-CAP-0-P | TPA-B0 | RS | LS | MAL | CPA | MSEAL | RSEAL | - | 71 | 70 | 69 | 68 | 67 | 66 | 65 | 64 | 63 | - | - | - | - | 58 | 57 | 56 | - | 54 | 53 | SALEABLE | | 345650003 | |
| | | | | | | | | | | | - | 51 | 50 | 49 | - | - | - | 45 | 44 | - | 42 | - | - | 39 | - | - | - | - | 34 | 33 | | | | |
| | | | | | | | | | | | | | | | 32 | - | - | 29 | 28 | 27 | 26 | 25 | 24 | 23 | - | - | - | - | - | - | | | | |
| MX123 CONN ASSY 73 CKT BLK OPT9 KEY A/54 | 345667963 | C-HSG-A9 | G-CAP-9-P | TPA-A9 | RS | LS | MAL | CPA | MSEAL | RSEAL | - | - | - | - | - | 67 | - | - | - | - | 62 | - | - | 59 | 58 | - | - | 55 | - | - | SALEABLE | | 345650003 | |
| | | | | | | | | | | | - | - | - | - | - | 47 | - | - | - | - | 41 | - | - | - | - | - | 35 | - | - | | | | | |
| | | | | | | | | | | | | | | | - | - | - | - | - | 27 | - | - | 24 | - | - | - | - | 19 | 18 | 17 | | | | |
| MX123 CONN ASSY 73 CKT GRY OPT9 KEY B/36 | 345667973 | C-HSG-B9 | G-CAP-9-P | TPA-B9 | RS | LS | MAL | CPA | MSEAL | RSEAL | - | 71 | 70 | 69 | 68 | 67 | 66 | 65 | 64 | 63 | - | - | - | - | 58 | 57 | 56 | - | 54 | 53 | SALEABLE | | 345650003 | |
| | | | | | | | | | | | - | 51 | - | - | - | - | - | - | 44 | - | 42 | - | - | 39 | - | - | - | - | - | 33 | | | | |
| | | | | | | | | | | | | | | | 32 | 31 | - | - | 28 | 27 | 26 | 25 | 24 | 23 | - | - | - | - | - | - | | | | |
| MX123 CONN ASSY 73 CKT GRY OPT9 KEY B/32 | 345667983 | C-HSG-B9 | G-CAP-9-P | TPA-B9 | RS | LS | MAL | CPA | MSEAL | RSEAL | - | 71 | 70 | 69 | 68 | 67 | 66 | 65 | 64 | 63 | - | - | - | - | 58 | 57 | 56 | - | 54 | 53 | SALEABLE | | 345650003 | |
| | | | | | | | | | | | - | 51 | - | - | - | - | - | - | 44 | - | 42 | - | - | 39 | 38 | 37 | 36 | 35 | - | - | | | | |
| | | | | | | | | | | | | | | | 32 | 31 | - | - | 28 | 27 | 26 | 25 | 24 | 23 | - | - | - | - | - | - | | | | |
| MX123 CONN ASSY 73 CKT BLU OPT9 KEY C/39 | 345667993 | C-HSG-C9 | G-CAP-9-P | TPA-C9 | RS | LS | MAL | CPA | MSEAL | RSEAL | 72 | 71 | - | - | 68 | - | - | 65 | - | 63 | 62 | - | - | 59 | 58 | - | 56 | 55 | - | 53 | SALEABLE | | 345650003 | |
| | | | | | | | | | | | - | - | - | - | - | - | - | - | - | 43 | 42 | - | 40 | 39 | 38 | - | 36 | 35 | - | - | | | | |
| | | | | | | | | | | | | | | | - | 31 | 30 | 29 | - | - | 26 | - | 24 | 23 | 22 | 21 | 20 | 19 | - | - | | | | |
| MX123 CONN ASSY 73 CKT BLK OPT0 KEY A/33 | 345668003 | C-HSG-A0 | G-CAP-0-P | TPA-A0 | RS | LS | MAL | CPA | MSEAL | RSEAL | 72 | 71 | 70 | - | - | 67 | 66 | - | - | - | 62 | - | - | - | - | 57 | - | 55 | 54 | 53 | SALEABLE | | 345650003 | |
| | | | | | | | | | | | - | 51 | - | - | - | - | 46 | 45 | 44 | 43 | 42 | - | 40 | 39 | - | - | - | 35 | - | - | | | | |
| | | | | | | | | | | | | | | | - | - | - | - | - | - | 26 | 25 | - | - | 22 | 21 | - | - | - | - | | | | |
| MX123 CONN ASSY 73 CKT BLU OPT9 KEY C/38 | 345668013 | C-HSG-C9 | G-CAP-9-P | TPA-C9 | RS | LS | MAL | CPA | MSEAL | RSEAL | 72 | - | 70 | 69 | 68 | - | 66 | - | - | 63 | 62 | - | - | - | 58 | - | 56 | 55 | - | 53 | SALEABLE | | 345650003 | |
| | | | | | | | | | | | - | - | - | 49 | - | - | 46 | - | - | 43 | 42 | - | 40 | - | 38 | - | 36 | 35 | - | - | | | | |
| | | | | | | | | | | | | | | | - | 31 | 30 | 29 | - | - | 26 | - | 24 | - | 22 | 21 | 20 | 19 | - | 17 | | | | |
| MX123 CONN ASSY 73 CKT BLU OPT9 KEY C/35 | 345668023 | C-HSG-C9 | G-CAP-9-P | TPA-C9 | RS | LS | MAL | CPA | MSEAL | RSEAL | - | 71 | 70 | - | - | 67 | 66 | 65 | 64 | - | - | 61 | 60 | - | 58 | 57 | - | - | 54 | - | SALEABLE | | 345650003 | |
| | | | | | | | | | | | 52 | 51 | 50 | 49 | 48 | 47 | - | 45 | 44 | - | - | 41 | - | - | 38 | 37 | - | - | 34 | 33 | | | | |
| | | | | | | | | | | | | | | | 32 | - | - | - | 28 | 27 | - | 25 | - | - | - | - | - | - | - | 18 | | | | 17 |

| ASSEMBLY DESCRIPTION | ASSEMBLY PART NUMBER | CONNECTOR HOUSING | GROMMET CAP | TPA | RIGHT SLIDE | LEFT SLIDE | MATE ASSIST LEVER | CPA | MAT SEAL | RING SEAL | BLOCKED TERMINALS | | | | | | | | | | | | | | | | | | | | STATUS | COMMENTS | INTEGRAL COMPONENTS SOLD SEPARATELY | | | | | | |
|--|----------------------|-------------------|-------------|--------|-------------|------------|-------------------|-----|----------|-----------|--|----|----|----|----|----|----|----|----|----|--|----|----|----|----|----|----|----|----|----------|----------|-----------|-------------------------------------|----|----|----|----|----|----|
| | | | | | | | | | | | CAVITY WITH A NUMBER INDICATES BLOCKED TERMINAL POSITION | | | | | | | | | | CAVITY WITHOUT A NUMBER INDICATES OPEN TERMINAL POSITION | | | | | | | | | | | | DRESS COVER | | | | | | |
| | | | | | | | | | | | | | | | | | | | | | | | | | | | | | | | | | | | | | | | |
| MX123 CONN ASSY 73 CKT GRY OPT9 KEY B/39 | 345668033 | C-HSG-B9 | G-CAP-9-P | TPA-B9 | RS | LS | MAL | CPA | MSEAL | RSEAL | 72 | - | - | - | 68 | - | - | - | - | - | 62 | 61 | 60 | 59 | - | - | - | 55 | - | 53 | SALEABLE | | 345650003 | | | | | | |
| | | | | | | | | | | | 52 | - | - | - | 48 | 47 | 46 | - | 44 | 43 | - | 41 | 40 | - | 38 | 37 | 36 | 35 | - | - | | | | | | | | | |
| | | | | | | | | | | | | | | | | | | | | | - | - | 30 | - | - | - | - | - | 22 | 21 | | | | 20 | 19 | 18 | 17 | | |
| | | | | | | | | | | | | | | | | | | | | | 16 | 15 | 14 | - | - | - | - | - | 8 | - | | | | 6 | - | 4 | - | - | 1 |
| MX123 CONN ASSY 73 CKT BLK OPT9 KEY A/28 | 345668043 | C-HSG-A9 | G-CAP-9-P | TPA-A9 | RS | LS | MAL | CPA | MSEAL | RSEAL | 72 | 71 | 70 | 69 | 68 | - | 66 | 65 | 64 | 63 | - | - | 60 | - | - | 57 | 56 | - | 54 | - | SALEABLE | | 345650003 | | | | | | |
| | | | | | | | | | | | 52 | 51 | 50 | 49 | 48 | - | 46 | 45 | 44 | 43 | - | 41 | 40 | 39 | 38 | 37 | 36 | - | 34 | - | | | | | | | | | |
| | | | | | | | | | | | | | | | | | | | | | 32 | 31 | 30 | 29 | 28 | - | - | - | - | 23 | | | | 22 | 21 | - | - | - | |
| | | | | | | | | | | | | | | | | | | | | | - | 15 | 14 | 13 | 12 | - | - | - | - | 7 | | | | 6 | 5 | - | - | 2 | - |
| MX123 CONN ASSY 73 CKT BLK OPT9 KEY A/27 | 345668053 | C-HSG-A9 | G-CAP-9-P | TPA-A9 | RS | LS | MAL | CPA | MSEAL | RSEAL | - | 71 | 70 | 69 | - | - | - | 65 | 64 | 63 | 62 | 61 | 60 | - | 58 | 57 | 56 | 55 | 54 | 53 | SALEABLE | | 345650003 | | | | | | |
| | | | | | | | | | | | 52 | 51 | 50 | 49 | 48 | 47 | - | 45 | 44 | 43 | 42 | 41 | - | 39 | - | 37 | 36 | - | 34 | - | | | | | | | | | |
| | | | | | | | | | | | | | | | | | | | | | 32 | - | 30 | 29 | 28 | 27 | 26 | - | 24 | - | | | | - | - | - | 18 | - | |
| | | | | | | | | | | | | | | | | | | | | | 16 | 15 | 14 | 13 | 12 | 11 | 10 | - | - | - | | | | - | - | - | 3 | - | - |
| MX123 CONN ASSY 73 CKT BLU OPT9 KEY C/30 | 345668063 | C-HSG-C9 | G-CAP-9-P | TPA-C9 | RS | LS | MAL | CPA | MSEAL | RSEAL | 72 | - | 70 | - | 68 | 67 | 66 | - | - | 63 | 62 | - | - | 59 | - | 57 | - | - | - | 53 | SALEABLE | | 345650003 | | | | | | |
| | | | | | | | | | | | 52 | 51 | - | 49 | 48 | 47 | 46 | - | 44 | - | - | 41 | 40 | 39 | - | 37 | 36 | - | 34 | 33 | | | | | | | | | |
| | | | | | | | | | | | | | | | | | | | | | 32 | - | 30 | - | - | 27 | 26 | 25 | 24 | - | | | | 22 | 21 | 20 | - | - | - |
| | | | | | | | | | | | | | | | | | | | | | - | 15 | 14 | 13 | - | - | 10 | 9 | 8 | - | | | | 6 | 5 | 4 | - | 2 | - |
| MX123 CONN ASSY 73 CKT GRY OPT9 KEY B/21 | 345668073 | C-HSG-B9 | G-CAP-9-P | TPA-B9 | RS | LS | MAL | CPA | MSEAL | RSEAL | 72 | 71 | 70 | - | 68 | 67 | 66 | - | - | - | 62 | 61 | 60 | 59 | 58 | 57 | 56 | 55 | 54 | 53 | SALEABLE | | 345650003 | | | | | | |
| | | | | | | | | | | | 52 | 51 | 50 | - | 48 | 47 | 46 | - | - | - | 42 | 41 | 40 | 39 | 38 | 37 | 36 | 35 | 34 | 33 | | | | | | | | | |
| | | | | | | | | | | | | | | | | | | | | | 32 | 31 | 30 | 29 | 28 | 27 | 26 | 25 | 24 | - | | | | - | - | - | 18 | 17 | |
| | | | | | | | | | | | | | | | | | | | | | 16 | 15 | 14 | 13 | - | - | 10 | - | 8 | - | | | | - | - | - | 3 | 2 | 1 |
| MX123 CONN ASSY 73 CKT GRY OPT9 KEY B/11 | 345668083 | C-HSG-B9 | G-CAP-9-P | TPA-B9 | RS | LS | MAL | CPA | MSEAL | RSEAL | 72 | 71 | 70 | 69 | 68 | 67 | 66 | 65 | 64 | 63 | - | 61 | 60 | - | - | 57 | 56 | 55 | - | - | SALEABLE | | 345650003 | | | | | | |
| | | | | | | | | | | | 52 | 51 | 50 | 49 | 48 | 47 | 46 | 45 | 44 | 43 | - | 41 | 40 | - | 38 | 37 | 36 | 35 | 34 | 33 | | | | | | | | | |
| | | | | | | | | | | | | | | | | | | | | | 32 | 31 | 30 | 29 | 28 | - | 26 | 25 | 24 | 23 | | | | 22 | 21 | 20 | 19 | 18 | 17 |
| | | | | | | | | | | | | | | | | | | | | | 16 | 15 | 14 | 13 | 12 | 11 | - | - | 8 | 7 | | | | 6 | 5 | 4 | 3 | 2 | 1 |
| MX123 CONN ASSY 73 CKT BLK OPT9 KEY A/37 | 345668093 | C-HSG-A9 | G-CAP-9-P | TPA-A9 | RS | LS | MAL | CPA | MSEAL | RSEAL | 72 | - | 70 | - | - | 67 | - | - | - | 63 | - | - | 60 | 59 | 58 | 57 | 56 | 55 | - | - | SALEABLE | | 345650003 | | | | | | |
| | | | | | | | | | | | 52 | 51 | - | - | 48 | 47 | 46 | - | - | 43 | 42 | - | 40 | 39 | 38 | 37 | 36 | 35 | - | - | | | | | | | | | |
| | | | | | | | | | | | | | | | | | | | | | - | - | - | - | 28 | 27 | - | - | - | - | | | | 22 | 21 | - | - | 18 | 17 |
| | | | | | | | | | | | | | | | | | | | | | - | - | - | - | 12 | 11 | - | 9 | - | 7 | | | | - | 5 | - | - | 2 | 1 |
| MX123 CONN ASSY 73 CKT BLU OPT9 KEY C/34 | 345668113 | C-HSG-C9 | G-CAP-9-P | TPA-C9 | RS | LS | MAL | CPA | MSEAL | RSEAL | 72 | 71 | 70 | 69 | - | 67 | 66 | 65 | 64 | - | - | - | - | - | - | 56 | - | 54 | - | SALEABLE | | 345650003 | | | | | | | |
| | | | | | | | | | | | 52 | 51 | 50 | 49 | - | 47 | 46 | 45 | 44 | - | - | - | - | 39 | 38 | - | - | - | 34 | | | | - | | | | | | |
| | | | | | | | | | | | | | | | | | | | | | - | 31 | 30 | 29 | 28 | - | 26 | 25 | - | | | | 23 | 22 | 21 | - | - | - | 17 |
| | | | | | | | | | | | | | | | | | | | | | 16 | 15 | 14 | 13 | 12 | - | - | 9 | - | | | | 7 | 6 | - | - | - | - | - |
| MX123 CONN ASSY 73 CKT BLU OPT0 KEY C/34 | 345668153 | C-HSG-C0 | G-CAP-0-P | TPA-C0 | RS | LS | MAL | CPA | MSEAL | RSEAL | - | - | - | - | - | - | - | - | - | - | - | - | - | - | - | - | - | 54 | 53 | SALEABLE | | 345650003 | | | | | | | |
| | | | | | | | | | | | - | - | - | 49 | 48 | 47 | 46 | 45 | 44 | 43 | - | - | 40 | 39 | 38 | 37 | 36 | - | - | | | | - | | | | | | |
| | | | | | | | | | | | | | | | | | | | | | 32 | 31 | 30 | 29 | - | - | 26 | 25 | 24 | | | | 23 | 22 | 21 | 20 | 19 | - | 17 |
| | | | | | | | | | | | | | | | | | | | | | - | 15 | - | - | 12 | 11 | 10 | 9 | 8 | | | | 7 | 6 | 5 | 4 | - | 2 | 1 |
| MX123 CONN ASSY 73 CKT GRY OPT9 KEY B/36 | 345668163 | C-HSG-B9 | G-CAP-9-P | TPA-B9 | RS | LS | MAL | CPA | MSEAL | RSEAL | 72 | 71 | 70 | 69 | - | - | 66 | 65 | - | - | 62 | 61 | 60 | - | - | 57 | 56 | - | - | 53 | SALEABLE | | 345650003 | | | | | | |
| | | | | | | | | | | | 52 | 51 | 50 | 49 | 48 | - | - | - | - | - | 42 | 41 | 40 | - | - | 37 | 36 | - | 34 | 33 | | | | | | | | | |
| | | | | | | | | | | | | | | | | | | | | | - | - | - | - | - | - | 26 | 25 | 24 | - | | | | - | 21 | 20 | - | 18 | - |
| | | | | | | | | | | | | | | | | | | | | | 16 | - | 14 | - | - | - | - | - | 8 | 7 | | | | - | 5 | - | 3 | 2 | - |
| MX123 CONN ASSY 73 CKT GRY OPT0 KEY B/27 | 345668173 | C-HSG-B0 | G-CAP-0-P | TPA-B0 | RS | LS | MAL | CPA | MSEAL | RSEAL | - | 71 | - | 69 | - | - | 66 | 65 | 64 | - | - | - | - | - | 58 | 57 | 56 | 55 | 54 | 53 | SALEABLE | | 345650003 | | | | | | |
| | | | | | | | | | | | - | 51 | 50 | 49 | 48 | 47 | - | 45 | 44 | - | 42 | - | - | 39 | 38 | 37 | 36 | 35 | 34 | 33 | | | | | | | | | |
| | | | | | | | | | | | | | | | | | | | | | 32 | 31 | 30 | 29 | 28 | - | 26 | 25 | 24 | 23 | | | | - | - | - | - | 17 | |
| | | | | | | | | | | | | | | | | | | | | | - | 15 | - | 13 | 12 | - | 10 | 9 | - | 7 | | | | - | 5 | - | 3 | 2 | 1 |
| MX123 CONN ASSY 73 CKT BLK OPT0 KEY A/42 | 345668203 | C-HSG-A0 | G-CAP-0-P | TPA-A0 | RS | LS | MAL | CPA | MSEAL | RSEAL | 72 | 71 | - | 69 | 68 | - | - | 65 | 64 | 63 | 62 | 61 | 60 | 59 | - | 57 | - | - | - | 53 | SALEABLE | | 345650003 | | | | | | |
| | | | | | | | | | | | 52 | 51 | 50 | 49 | 48 | - | 46 | 45 | - | - | - | - | 40 | - | 38 | - | - | 35 | - | 33 | | | | | | | | | |
| | | | | | | | | | | | | | | | | | | | | | 32 | - | - | 29 | 28 | - | 26 | - | - | 23 | | | | 22 | - | - | - | - | 17 |
| | | | | | | | | | | | | | | | | | | | | | 16 | 15 | 14 | - | 12 | 11 | 10 | 9 | 8 | 7 | | | | - | - | - | - | 2 | - |

| ASSEMBLY DESCRIPTION | ASSEMBLY PART NUMBER | CONNECTOR HOUSING | GROMMET CAP | TPA | RIGHT SLIDE | LEFT SLIDE | MATE ASSIST LEVER | CPA | MAT SEAL | RING SEAL | BLOCKED TERMINALS | | | | | | | | | | | | | | | | | | | | STATUS | COMMENTS | INTEGRAL COMPONENTS SOLD SEPARATELY |
|--|----------------------|-------------------|-------------|--------|-------------|------------|-------------------|-----|----------|-----------|--|----|----|----|----|----|----|----|----|----|----|----|----|----|----|----|----|----|----|----------|----------|-----------|-------------------------------------|
| | | | | | | | | | | | CAVITY WITH A NUMBER INDICATES BLOCKED TERMINAL POSITION | | | | | | | | | | | | | | | | | | | | | | DRESS COVER |
| | | | | | | | | | | | CAVITY WITHOUT A NUMBER INDICATES OPEN TERMINAL POSITION | | | | | | | | | | | | | | | | | | | | | | |
| MX123 CONN ASSY 73 CKT BLK OPT9 KEY A/22 | 345668223 | C-HSG-A9 | G-CAP-9-P | TPA-A9 | RS | LS | MAL | CPA | MSEAL | RSEAL | - | 71 | 70 | 69 | 68 | 67 | 66 | 65 | 64 | 63 | - | - | 60 | - | 58 | - | 56 | - | 54 | 53 | SALEABLE | | 345650003 |
| | | | | | | | | | | | - | - | 50 | 49 | 48 | 47 | 46 | 45 | 44 | 43 | 42 | 41 | - | 39 | 38 | - | 36 | 35 | 34 | 33 | | | |
| | | | | | | | | | | | | | | | - | 31 | 30 | - | 28 | 27 | 26 | - | 24 | 23 | 22 | 21 | - | 19 | 18 | 17 | | | |
| | | | | | | | | | | | | | | | - | - | - | 13 | - | - | - | - | 8 | 7 | 6 | 5 | 4 | 3 | 2 | 1 | | | |
| MX123 CONN ASSY 73 CKT BLK OPT9 KEY A/43 | 345668293 | C-HSG-A9 | G-CAP-9-P | TPA-A9 | RS | LS | MAL | CPA | MSEAL | RSEAL | 72 | - | - | - | - | - | - | 64 | - | 62 | 61 | - | - | - | 57 | 56 | 55 | 54 | 53 | SALEABLE | | 345650003 | |
| | | | | | | | | | | | 52 | 51 | - | - | - | - | 46 | 45 | - | 43 | - | 41 | 40 | - | - | 37 | - | - | - | | | | |
| | | | | | | | | | | | | | | | 32 | - | 30 | 29 | - | 27 | - | 25 | - | - | - | - | 20 | - | - | | | | - |
| | | | | | | | | | | | | | | | 16 | 15 | - | 13 | - | 11 | 10 | 9 | - | - | - | - | 4 | - | - | | | | - |
| MX123 CONN ASSY 73 CKT BLK OPT0 KEY A/14 | 345668303 | C-HSG-A0 | G-CAP-0-P | TPA-A0 | RS | LS | MAL | CPA | MSEAL | RSEAL | - | - | 70 | - | - | - | - | 65 | - | - | 61 | 60 | - | - | - | - | 55 | - | - | SALEABLE | | 345650003 | |
| | | | | | | | | | | | - | - | - | - | - | - | - | 45 | - | - | - | 41 | 40 | - | - | - | - | - | - | | | | |
| | | | | | | | | | | | | | | | - | - | - | - | 28 | - | 26 | 25 | - | - | - | - | - | 18 | - | | | | |
| | | | | | | | | | | | | | | | 16 | - | - | - | - | - | 10 | - | - | - | - | - | - | - | - | | | | - |
| MX123 CONN ASSY 73 CKT BLK OPT9 KEY A/41 | 345668313 | C-HSG-A9 | G-CAP-9-P | TPA-A9 | RS | LS | MAL | CPA | MSEAL | RSEAL | 72 | - | - | - | - | - | - | 64 | - | 62 | 61 | - | - | - | 57 | 56 | 55 | 54 | 53 | SALEABLE | | 345650003 | |
| | | | | | | | | | | | 52 | 51 | - | - | - | - | 46 | 45 | - | 43 | - | 40 | - | - | 37 | - | - | - | | | | | |
| | | | | | | | | | | | | | | | 32 | - | 30 | 29 | - | 27 | - | 25 | - | - | - | - | 20 | - | - | | | | - |
| | | | | | | | | | | | | | | | 16 | 15 | 14 | 13 | - | 11 | 10 | 9 | - | - | - | 5 | 4 | - | - | | | | - |
| MX123 CONN ASSY 73 CKT BLK OPT9 KEY A/38 | 345668323 | C-HSG-A9 | G-CAP-9-P | TPA-A9 | RS | LS | MAL | CPA | MSEAL | RSEAL | 72 | - | - | - | - | - | - | 64 | - | 62 | 61 | - | 59 | 58 | 57 | 56 | 55 | 54 | - | SALEABLE | | 345650003 | |
| | | | | | | | | | | | 52 | 51 | - | - | 48 | - | 46 | 45 | - | 43 | - | 41 | 40 | - | - | 37 | - | 35 | 34 | | | | - |
| | | | | | | | | | | | | | | | 32 | - | 30 | 29 | - | 27 | - | 25 | - | - | - | - | 20 | - | - | | | | - |
| | | | | | | | | | | | | | | | 16 | 15 | - | 13 | - | 11 | 10 | 9 | - | - | - | - | 4 | 3 | - | | | | - |
| MX123 CONN ASSY 73 CKT BLK OPT9 KEY A/42 | 345668333 | C-HSG-A9 | G-CAP-9-P | TPA-A9 | RS | LS | MAL | CPA | MSEAL | RSEAL | 72 | - | - | - | - | - | - | 64 | - | 62 | 61 | - | 59 | - | 57 | 56 | 55 | 54 | - | SALEABLE | | 345650003 | |
| | | | | | | | | | | | 52 | 51 | - | - | - | - | 46 | 45 | - | 43 | - | 40 | - | - | 37 | - | 35 | 34 | - | | | | |
| | | | | | | | | | | | | | | | 32 | - | 30 | 29 | - | 27 | - | 25 | - | - | - | - | 20 | - | - | | | | - |
| | | | | | | | | | | | | | | | 16 | 15 | - | 13 | - | 11 | 10 | 9 | - | - | - | - | 4 | - | - | | | | - |
| MX123 CONN ASSY 73 CKT BLK OPT9 KEY A/40 | 345668343 | C-HSG-A9 | G-CAP-9-P | TPA-A9 | RS | LS | MAL | CPA | MSEAL | RSEAL | 72 | - | - | - | - | - | - | 64 | - | 62 | 61 | - | - | 58 | 57 | 56 | 55 | 54 | 53 | SALEABLE | | 345650003 | |
| | | | | | | | | | | | 52 | 51 | - | - | 48 | - | 46 | 45 | - | 43 | - | 41 | 40 | - | - | 37 | - | - | - | | | | |
| | | | | | | | | | | | | | | | 32 | - | 30 | 29 | - | 27 | - | 25 | - | - | - | - | 20 | - | - | | | | - |
| | | | | | | | | | | | | | | | 16 | 15 | - | 13 | - | 11 | 10 | 9 | - | - | - | - | 4 | 3 | - | | | | - |
| MX123 CONN ASSY 73 CKT BLK OPT9 KEY A/31 | 345668353 | C-HSG-A9 | G-CAP-9-P | TPA-A9 | RS | LS | MAL | CPA | MSEAL | RSEAL | - | 71 | 70 | 69 | 68 | 67 | 66 | 65 | - | 63 | - | - | 60 | 59 | 58 | - | - | - | - | - | SALEABLE | | 345650003 |
| | | | | | | | | | | | - | - | 50 | 49 | 48 | 47 | - | - | 44 | - | 42 | - | - | 39 | 38 | - | 36 | 35 | 34 | 33 | | | |
| | | | | | | | | | | | | | | | - | 31 | - | - | 28 | - | 26 | - | 24 | 23 | 22 | 21 | - | 19 | 18 | 17 | | | |
| | | | | | | | | | | | | | | | - | - | 14 | - | 12 | - | - | - | 8 | 7 | 6 | 5 | - | 3 | 2 | 1 | | | |
| MX123 CONN ASSY 73 CKT BLK OPT9 KEY A/33 | 345668363 | C-HSG-A9 | G-CAP-9-P | TPA-A9 | RS | LS | MAL | CPA | MSEAL | RSEAL | - | 71 | 70 | 69 | - | 67 | 66 | 65 | - | 63 | - | - | 60 | 59 | 58 | - | - | - | - | - | SALEABLE | | 345650003 |
| | | | | | | | | | | | - | - | 50 | 49 | 48 | 47 | - | - | 44 | - | 42 | 41 | - | 39 | 38 | - | 36 | 35 | 34 | 33 | | | |
| | | | | | | | | | | | | | | | - | 31 | - | - | 28 | - | 26 | - | 24 | 23 | 22 | 21 | - | 19 | 18 | 17 | | | |
| | | | | | | | | | | | | | | | - | - | - | - | 12 | - | - | - | 8 | 7 | 6 | - | - | 3 | 2 | 1 | | | |
| MX123 CONN ASSY 73 CKT BLK OPT9 KEY A/36 | 345668373 | C-HSG-A9 | G-CAP-9-P | TPA-A9 | RS | LS | MAL | CPA | MSEAL | RSEAL | - | 71 | 70 | 69 | 68 | 67 | 66 | 65 | - | 63 | - | - | 60 | - | - | - | - | - | 53 | SALEABLE | | 345650003 | |
| | | | | | | | | | | | - | - | 50 | 49 | - | 47 | - | - | 44 | - | 42 | - | - | 39 | 38 | - | 36 | - | - | | | | 33 |
| | | | | | | | | | | | | | | | - | 31 | - | - | 28 | - | 26 | - | 24 | 23 | 22 | 21 | - | 19 | 18 | | | | 17 |
| | | | | | | | | | | | | | | | - | - | 14 | - | 12 | - | - | - | 8 | 7 | 6 | 5 | - | - | 2 | | | | 1 |
| MX123 CONN ASSY 73 CKT BLK OPT9 KEY A/32 | 345668383 | C-HSG-A9 | G-CAP-9-P | TPA-A9 | RS | LS | MAL | CPA | MSEAL | RSEAL | - | 71 | 70 | 69 | 68 | 67 | 66 | 65 | - | 63 | - | - | 60 | - | 58 | - | - | - | - | 53 | SALEABLE | | 345650003 |
| | | | | | | | | | | | - | - | 50 | 49 | 48 | 47 | - | - | 44 | - | 42 | 41 | - | 39 | 38 | - | 36 | - | - | 33 | | | |
| | | | | | | | | | | | | | | | - | 31 | - | - | 28 | - | 26 | - | 24 | 23 | 22 | 21 | - | 19 | 18 | 17 | | | |
| | | | | | | | | | | | | | | | - | - | 14 | - | 12 | - | - | - | 8 | 7 | 6 | 5 | - | 3 | 2 | 1 | | | |
| MX123 CONN ASSY 73 CKT BLK OPT0 KEY A/44 | 345668393 | C-HSG-A0 | G-CAP-0-P | TPA-A0 | RS | LS | MAL | CPA | MSEAL | RSEAL | - | 71 | - | 69 | 68 | 67 | 66 | 65 | 64 | - | - | 61 | 60 | 59 | 58 | 57 | - | - | - | - | SALEABLE | | 345650003 |
| | | | | | | | | | | | - | - | 50 | - | - | 47 | 46 | 45 | 44 | - | 42 | 41 | 40 | 39 | 38 | 37 | - | - | - | - | | | |
| | | | | | | | | | | | | | | | 32 | - | - | - | - | - | 26 | 25 | - | - | - | - | - | - | - | - | | | |
| | | | | | | | | | | | | | | | - | - | - | - | - | 11 | - | - | - | - | - | 5 | 4 | - | - | - | | | |

| ASSEMBLY DESCRIPTION | ASSEMBLY PART NUMBER | CONNECTOR HOUSING | GROMMET CAP | TPA | RIGHT SLIDE | LEFT SLIDE | MATE ASSIST LEVER | CPA | MAT SEAL | RING SEAL | BLOCKED TERMINALS | | | | | | | | | | | | | | | | | | | | STATUS | COMMENTS | INTEGRAL COMPONENTS SOLD SEPARATELY | | | | | | |
|--|----------------------|-------------------|-------------|--------|-------------|------------|-------------------|-----|----------|-----------|--|----|----|----|----|----|----|----|----|----|----|----|----|----|----|----|----|----|----|----|----------|----------|-------------------------------------|----|----|----|----|----|----|
| | | | | | | | | | | | CAVITY WITH A NUMBER INDICATES BLOCKED TERMINAL POSITION | | | | | | | | | | | | | | | | | | | | | | DRESS COVER | | | | | | |
| | | | | | | | | | | | CAVITY WITHOUT A NUMBER INDICATES OPEN TERMINAL POSITION | | | | | | | | | | | | | | | | | | | | | | | | | | | | |
| MX123 CONN ASSY 73 CKT GRY OPT0 KEY B/48 | 345668403 | C-HSG-B0 | G-CAP-0-P | TPA-B0 | RS | LS | MAL | CPA | MSEAL | RSEAL | 72 | 71 | 70 | 69 | 68 | 67 | 66 | - | - | 63 | 62 | 61 | 60 | - | 58 | - | 56 | - | 54 | - | SALEABLE | | 345650003 | | | | | | |
| | | | | | | | | | | | 52 | 51 | - | - | - | 47 | - | 45 | 44 | 43 | 42 | 41 | 40 | - | 38 | - | 36 | - | 34 | - | | | | | | | | | |
| | | | | | | | | | | | | | | | | | | | | | - | 31 | 30 | - | 28 | 27 | 26 | 25 | - | - | | | | 22 | - | 20 | 19 | 18 | 17 |
| | | | | | | | | | | | | | | | | | | | | | 16 | - | 14 | 13 | 12 | 11 | 10 | 9 | 8 | - | | | | - | - | - | - | 2 | 1 |
| MX123 CONN ASSY 73 CKT BLK OPT0 KEY A/43 | 345668413 | C-HSG-A0 | G-CAP-0-P | TPA-A0 | RS | LS | MAL | CPA | MSEAL | RSEAL | - | 71 | - | 69 | 68 | 67 | 66 | 65 | 64 | - | - | 61 | 60 | 59 | 58 | 57 | - | - | - | - | SALEABLE | | 345650003 | | | | | | |
| | | | | | | | | | | | - | - | 50 | - | - | 47 | 46 | 45 | 44 | - | 42 | 41 | 40 | 39 | 38 | 37 | - | - | - | - | | | | | | | | | |
| | | | | | | | | | | | | | | | | | | | | | 32 | - | - | - | - | - | 26 | 25 | - | - | | | | - | - | - | - | - | - |
| | | | | | | | | | | | | | | | | | | | | | - | - | - | 13 | - | 11 | - | - | - | - | | | | - | - | 5 | 4 | - | - |
| MX123 CONN ASSY 73 CKT BLU OPT0 KEY C/36 | 345668423 | C-HSG-C0 | G-CAP-0-P | TPA-C0 | RS | LS | MAL | CPA | MSEAL | RSEAL | 72 | 71 | 70 | - | 68 | - | 66 | 65 | - | 63 | - | - | - | 59 | 58 | - | 56 | 55 | - | 53 | SALEABLE | | 345650003 | | | | | | |
| | | | | | | | | | | | - | - | - | - | - | 47 | - | - | - | 43 | - | - | 40 | 39 | 38 | - | 36 | 35 | - | - | | | | | | | | | |
| | | | | | | | | | | | | | | | | | | | | | 32 | 31 | 30 | 29 | - | - | - | - | 24 | 23 | | | | 22 | 21 | 20 | 19 | 18 | 17 |
| | | | | | | | | | | | | | | | | | | | | | - | - | - | - | - | - | - | - | - | - | | | | - | 6 | 5 | 4 | 3 | 2 |
| MX123 CONN ASSY 73 CKT BLU OPT0 KEY C/45 | 345668443 | C-HSG-C0 | G-CAP-0-P | TPA-C0 | RS | LS | MAL | CPA | MSEAL | RSEAL | 72 | - | - | 69 | 68 | - | - | - | - | 63 | 62 | - | - | - | - | - | 56 | 55 | - | 53 | SALEABLE | | 345650003 | | | | | | |
| | | | | | | | | | | | - | - | - | 49 | - | - | 46 | - | - | 43 | 42 | - | 40 | - | - | - | 36 | 35 | - | - | | | | | | | | | |
| | | | | | | | | | | | | | | | | | | | | | - | 31 | 30 | 29 | - | - | 26 | - | 24 | - | | | | 22 | 21 | 20 | 19 | - | - |
| | | | | | | | | | | | | | | | | | | | | | - | - | - | - | - | - | - | - | - | - | | | | - | - | 4 | 3 | 2 | 1 |
| MX123 CONN ASSY 73 CKT BLK OPT0 KEY A/48 | 345668453 | C-HSG-A0 | G-CAP-0-P | TPA-A0 | RS | LS | MAL | CPA | MSEAL | RSEAL | - | - | - | - | - | 67 | - | - | - | - | 62 | 61 | - | 59 | 58 | - | - | 55 | - | 53 | SALEABLE | | 345650003 | | | | | | |
| | | | | | | | | | | | - | - | - | - | - | 47 | - | - | - | - | 41 | - | - | - | - | 35 | - | 33 | - | - | | | | | | | | | |
| | | | | | | | | | | | | | | | | | | | | | - | - | - | - | - | 27 | 26 | 25 | 24 | - | | | | - | - | - | 19 | 18 | 17 |
| | | | | | | | | | | | | | | | | | | | | | 16 | - | - | - | - | 11 | 10 | 9 | 8 | - | | | | - | - | - | 3 | - | 1 |
| MX123 CONN ASSY 73 CKT GRY OPT0 KEY B/34 | 345668463 | C-HSG-B0 | G-CAP-0-P | TPA-B0 | RS | LS | MAL | CPA | MSEAL | RSEAL | - | 71 | - | 69 | - | 67 | 66 | 65 | 64 | 63 | - | - | - | - | 58 | 57 | 56 | - | 54 | 53 | SALEABLE | | 345650003 | | | | | | |
| | | | | | | | | | | | - | 51 | 50 | 49 | - | - | - | 45 | - | - | 42 | - | - | 39 | - | - | - | - | 34 | 33 | | | | | | | | | |
| | | | | | | | | | | | | | | | | | | | | | 32 | 31 | - | 29 | 28 | 27 | 26 | 25 | 24 | 23 | | | | - | - | - | - | - | 17 |
| | | | | | | | | | | | | | | | | | | | | | - | - | - | 13 | 12 | 11 | 10 | 9 | - | 7 | | | | - | 5 | - | 3 | 2 | - |
| MX123 CONN ASSY 73 CKT BLU OPT0 KEY C/49 | 345668473 | C-HSG-C0 | G-CAP-0-P | TPA-C0 | RS | LS | MAL | CPA | MSEAL | RSEAL | 72 | - | - | 69 | 68 | - | - | - | - | 63 | - | - | - | 59 | - | - | 56 | - | - | 53 | SALEABLE | | 345650003 | | | | | | |
| | | | | | | | | | | | - | - | - | - | - | - | 46 | - | - | 43 | - | - | 40 | 39 | - | - | 36 | - | - | - | | | | | | | | | |
| | | | | | | | | | | | | | | | | | | | | | - | 31 | 30 | 29 | - | - | - | - | 24 | 23 | | | | 22 | 21 | 20 | - | - | - |
| | | | | | | | | | | | | | | | | | | | | | - | - | - | - | - | - | - | - | - | - | | | | - | - | 4 | 3 | 2 | 1 |
| MX123 CONN ASSY 73 CKT BLK OPT0 KEY A/51 | 345668483 | C-HSG-A0 | G-CAP-0-P | TPA-A0 | RS | LS | MAL | CPA | MSEAL | RSEAL | - | - | - | - | - | 67 | - | - | - | - | 62 | - | - | 59 | 58 | - | - | 55 | - | - | SALEABLE | | 345650003 | | | | | | |
| | | | | | | | | | | | - | - | - | - | - | 47 | - | - | - | - | 41 | - | - | - | - | 35 | - | - | - | - | | | | | | | | | |
| | | | | | | | | | | | | | | | | | | | | | - | - | - | - | - | 27 | 26 | 25 | 24 | - | | | | - | - | - | 19 | 18 | 17 |
| | | | | | | | | | | | | | | | | | | | | | 16 | - | - | - | - | 11 | 10 | 9 | 8 | - | | | | - | - | - | 3 | - | 1 |
| MX123 CONN ASSY 73 CKT GRY OPT0 KEY B/31 | 345668493 | C-HSG-B0 | G-CAP-0-P | TPA-B0 | RS | LS | MAL | CPA | MSEAL | RSEAL | - | 71 | - | 69 | - | - | 66 | 65 | 64 | 63 | - | - | - | - | 58 | 57 | 56 | - | 54 | 53 | SALEABLE | | 345650003 | | | | | | |
| | | | | | | | | | | | - | 51 | 50 | 49 | - | - | - | 45 | - | - | 42 | 41 | - | 39 | 38 | 37 | 36 | 35 | 34 | - | | | | | | | | | |
| | | | | | | | | | | | | | | | | | | | | | 32 | 31 | - | 29 | 28 | 27 | 26 | 25 | 24 | 23 | | | | - | - | - | - | - | - |
| | | | | | | | | | | | | | | | | | | | | | - | - | - | 13 | 12 | 11 | 10 | 9 | - | 7 | | | | - | 5 | - | 3 | 2 | 1 |
| MX123 CONN ASSY 73 CKT GRY OPT0 KEY B/27 | 345668503 | C-HSG-B0 | G-CAP-0-P | TPA-B0 | RS | LS | MAL | CPA | MSEAL | RSEAL | - | - | - | - | - | - | - | - | - | - | - | 61 | - | - | 58 | 57 | 56 | - | - | - | SALEABLE | | 345650003 | | | | | | |
| | | | | | | | | | | | - | 51 | 50 | - | - | 47 | 46 | 45 | - | - | - | 41 | 40 | - | 38 | 37 | 36 | - | - | - | | | | | | | | | |
| | | | | | | | | | | | | | | | | | | | | | - | 31 | 30 | - | 28 | - | 26 | 25 | - | - | | | | 22 | 21 | 20 | - | - | - |
| | | | | | | | | | | | | | | | | | | | | | 16 | 15 | 14 | - | - | - | 10 | - | - | - | | | | - | - | - | - | - | - |
| MX123 CONN ASSY 73 CKT BLK OPT9 KEY A/48 | 345668513 | C-HSG-A9 | G-CAP-9-P | TPA-A9 | RS | LS | MAL | CPA | MSEAL | RSEAL | - | - | - | - | - | 67 | - | - | - | - | 62 | - | - | 59 | 58 | - | - | 55 | - | - | SALEABLE | | 345650003 | | | | | | |
| | | | | | | | | | | | - | - | - | - | - | 47 | - | - | - | - | 42 | 41 | - | - | - | - | 35 | - | - | - | | | | | | | | | |
| | | | | | | | | | | | | | | | | | | | | | - | - | - | - | - | 27 | 26 | 25 | - | - | | | | - | 21 | 20 | 19 | 18 | 17 |
| | | | | | | | | | | | | | | | | | | | | | 16 | - | - | - | - | 11 | 10 | 9 | 8 | - | | | | - | - | 4 | 3 | - | 1 |
| MX123 CONN ASSY 73 CKT GRY OPT9 KEY B/27 | 345668523 | C-HSG-B9 | G-CAP-9-P | TPA-B9 | RS | LS | MAL | CPA | MSEAL | RSEAL | - | 71 | - | 69 | - | 67 | 66 | 65 | 64 | 63 | - | - | 60 | 59 | 58 | 57 | 56 | - | 54 | 53 | SALEABLE | | 345650003 | | | | | | |
| | | | | | | | | | | | - | 51 | 50 | 49 | - | - | - | 45 | 44 | - | 42 | 41 | - | 39 | 38 | 37 | 36 | 35 | 34 | 33 | | | | | | | | | |
| | | | | | | | | | | | | | | | | | | | | | 32 | 31 | - | 29 | 28 | 27 | 26 | 25 | 24 | 23 | | | | - | - | - | - | - | - |
| | | | | | | | | | | | | | | | | | | | | | - | - | - | 13 | 12 | 11 | 10 | 9 | - | 7 | | | | - | 5 | - | 3 | - | 1 |

| ASSEMBLY DESCRIPTION | ASSEMBLY PART NUMBER | CONNECTOR HOUSING | GROMMET CAP | TPA | RIGHT SLIDE | LEFT SLIDE | MATE ASSIST LEVER | CPA | MAT SEAL | RING SEAL | BLOCKED TERMINALS | | | | | | | | | | | | | | | | | | | | STATUS | COMMENTS | INTEGRAL COMPONENTS SOLD SEPARATELY |
|--|----------------------|-------------------|-------------|--------|-------------|------------|-------------------|-----|----------|-----------|--|----|----|----|----|----|----|----|----|----|----|----|----|----|----|----|----|----|----|----------|----------|-----------|-------------------------------------|
| | | | | | | | | | | | CAVITY WITH A NUMBER INDICATES BLOCKED TERMINAL POSITION | | | | | | | | | | | | | | | | | | | | | | DRESS COVER |
| | | | | | | | | | | | CAVITY WITHOUT A NUMBER INDICATES OPEN TERMINAL POSITION | | | | | | | | | | | | | | | | | | | | | | |
| MX123 CONN ASSY 73 CKT BLU OPT9 KEY C/35 | 345668533 | C-HSG-C9 | G-CAP-9-P | TPA-C9 | RS | LS | MAL | CPA | MSEAL | RSEAL | 72 | 71 | - | 69 | 68 | - | - | - | - | 63 | 62 | - | - | 59 | 58 | - | 56 | 55 | - | 53 | SALEABLE | | 345650003 |
| | | | | | | | | | | | - | - | - | - | - | - | 46 | - | - | 43 | 42 | - | 40 | 39 | 38 | - | 36 | 35 | - | - | | | |
| | | | | | | | | | | | | | | | - | 31 | 30 | 29 | - | - | 26 | - | 24 | 23 | 22 | 21 | 20 | 19 | - | - | | | |
| MX123 CONN ASSY 73 CKT BLU OPT9 KEY C/35 | 345668543 | C-HSG-C9 | G-CAP-9-P | TPA-C9 | RS | LS | MAL | CPA | MSEAL | RSEAL | 72 | - | 70 | - | 68 | - | - | - | - | 63 | 62 | 61 | - | 59 | 58 | - | 56 | 55 | - | 53 | SALEABLE | | 345650003 |
| | | | | | | | | | | | - | - | - | - | - | - | - | - | - | 43 | 42 | 41 | 40 | 39 | 38 | - | 36 | 35 | - | - | | | |
| | | | | | | | | | | | | | | | - | 31 | 30 | 29 | - | - | 26 | 25 | 24 | 23 | 22 | 21 | 20 | 19 | 18 | 17 | | | |
| MX123 CONN ASSY 73 CKT GRY OPT0 KEY B/22 | 345668553 | C-HSG-B0 | G-CAP-0-P | TPA-B0 | RS | LS | MAL | CPA | MSEAL | RSEAL | - | 71 | 70 | 69 | - | 67 | 66 | 65 | 64 | 63 | - | - | - | - | 58 | 57 | 56 | - | 54 | 53 | SALEABLE | | 345650003 |
| | | | | | | | | | | | - | 51 | 50 | 49 | 48 | 47 | - | 45 | 44 | - | 42 | - | - | 39 | 38 | 37 | 36 | 35 | 34 | 33 | | | |
| | | | | | | | | | | | | | | | 32 | 31 | 30 | 29 | 28 | 27 | 26 | 25 | 24 | 23 | - | - | - | 19 | 18 | 17 | | | |
| MX123 CONN ASSY 73 CKT BLK OPT0 KEY A/35 | 345668563 | C-HSG-A0 | G-CAP-0-P | TPA-A0 | RS | LS | MAL | CPA | MSEAL | RSEAL | - | 71 | - | 69 | 68 | - | 66 | 65 | 64 | - | 62 | 61 | - | - | - | - | - | 54 | 53 | SALEABLE | | 345650003 | |
| | | | | | | | | | | | - | - | 50 | 49 | - | - | - | 45 | 44 | - | - | 41 | - | - | - | - | - | - | 34 | | | | 33 |
| | | | | | | | | | | | | | | | 32 | 31 | 30 | 29 | - | 27 | 26 | 25 | 24 | 23 | - | - | 20 | 19 | - | | | | - |
| MX123 CONN ASSY 73 CKT GRY OPT0 KEY B/59 | 345668573 | C-HSG-B0 | G-CAP-0-P | TPA-B0 | RS | LS | MAL | CPA | MSEAL | RSEAL | - | - | - | - | - | - | - | - | - | - | 62 | - | - | - | 58 | - | - | - | 54 | 53 | SALEABLE | | 345650003 |
| | | | | | | | | | | | - | - | - | - | - | - | - | - | - | - | 42 | - | - | - | - | - | - | - | 34 | - | | | |
| | | | | | | | | | | | | | | | - | - | - | - | - | 27 | - | 25 | - | - | - | - | - | - | 18 | 17 | | | |
| MX123 CONN ASSY 73 CKT BLU OPT0 KEY C/44 | 345668583 | C-HSG-C0 | G-CAP-0-P | TPA-C0 | RS | LS | MAL | CPA | MSEAL | RSEAL | - | - | - | - | 68 | - | - | - | - | 63 | 62 | 61 | - | 59 | 58 | 57 | - | 55 | - | 53 | SALEABLE | | 345650003 |
| | | | | | | | | | | | - | - | - | - | 48 | - | - | - | - | 43 | 42 | 41 | - | - | - | 37 | 36 | 35 | - | 33 | | | |
| | | | | | | | | | | | | | | | 32 | - | - | 29 | - | 27 | - | - | - | - | - | - | 20 | 19 | 18 | - | | | |
| MX123 CONN ASSY 73 CKT GRY OPT0 KEY B/32 | 345668593 | C-HSG-B0 | G-CAP-0-P | TPA-B0 | RS | LS | MAL | CPA | MSEAL | RSEAL | - | 71 | 70 | 69 | - | 67 | 66 | 65 | 64 | 63 | - | - | - | - | 58 | 57 | 56 | - | 54 | 53 | SALEABLE | | 345650003 |
| | | | | | | | | | | | - | 51 | 50 | 49 | - | - | - | 45 | 44 | - | 42 | - | - | 39 | - | - | - | - | 34 | 33 | | | |
| | | | | | | | | | | | | | | | 32 | 31 | - | 29 | 28 | 27 | 26 | 25 | 24 | 23 | - | - | - | - | 17 | | | | |
| MX123 CONN ASSY 73 CKT BLK OPT0 KEY A/47 | 345668603 | C-HSG-A0 | G-CAP-0-P | TPA-A0 | RS | LS | MAL | CPA | MSEAL | RSEAL | 72 | 71 | 70 | - | - | 67 | - | 65 | 64 | 63 | 62 | 61 | 60 | - | 58 | - | 56 | - | 54 | - | SALEABLE | | 345650003 |
| | | | | | | | | | | | 52 | 51 | 50 | - | - | 47 | - | 45 | - | 43 | 42 | 41 | 40 | - | - | - | 36 | - | 34 | - | | | |
| | | | | | | | | | | | | | | | 32 | 31 | 30 | - | - | 27 | 26 | 25 | 24 | - | 22 | - | 20 | 19 | - | - | | | |
| MX123 CONN ASSY 73 CKT BLU OPT0 KEY C/43 | 345668613 | C-HSG-C0 | G-CAP-0-P | TPA-C0 | RS | LS | MAL | CPA | MSEAL | RSEAL | 72 | - | - | 69 | 68 | - | - | - | - | 63 | 62 | - | - | - | - | - | 56 | 55 | - | 53 | SALEABLE | | 345650003 |
| | | | | | | | | | | | - | - | - | 49 | - | - | 46 | - | - | 43 | 42 | - | 40 | - | - | - | 36 | 35 | - | - | | | |
| | | | | | | | | | | | | | | | - | 31 | 30 | 29 | - | - | 26 | - | 24 | - | 22 | 21 | 20 | 19 | - | - | | | |
| MX123 CONN ASSY 73 CKT BLU OPT9 KEY C/31 | 345668623 | C-HSG-C9 | G-CAP-9-P | TPA-C9 | RS | LS | MAL | CPA | MSEAL | RSEAL | 72 | 71 | 70 | 69 | - | 67 | 66 | - | 64 | - | - | - | 60 | - | - | - | - | 54 | - | SALEABLE | | 345650003 | |
| | | | | | | | | | | | 52 | 51 | 50 | 49 | - | 47 | 46 | - | 44 | - | - | - | 40 | 39 | 38 | - | - | - | - | | | | - |
| | | | | | | | | | | | | | | | - | - | 30 | 29 | 28 | 27 | 26 | 25 | 24 | 23 | 22 | 21 | - | - | - | | | | 17 |
| MX123 CONN ASSY 73 CKT GRY OPT0 KEY B/22 | 345668633 | C-HSG-B0 | G-CAP-0-P | TPA-B0 | RS | LS | MAL | CPA | MSEAL | RSEAL | - | 71 | 70 | 69 | 68 | 67 | 66 | 65 | 64 | 63 | - | - | 60 | 59 | 58 | 57 | 56 | 55 | 54 | 53 | SALEABLE | | 345650003 |
| | | | | | | | | | | | - | 51 | 50 | 49 | - | - | - | 45 | 44 | - | 42 | 41 | - | 39 | 38 | 37 | 36 | 35 | 34 | 33 | | | |
| | | | | | | | | | | | | | | | 32 | 31 | - | 29 | 28 | 27 | 26 | 25 | 24 | 23 | - | - | - | - | - | - | | | |
| MX123 CONN ASSY 73 CKT BLU OPT0 KEY C/37 | 345668643 | C-HSG-C0 | G-CAP-0-P | TPA-C0 | RS | LS | MAL | CPA | MSEAL | RSEAL | 72 | - | - | 69 | 68 | - | - | 65 | - | 63 | 62 | - | - | 59 | 58 | - | 56 | 55 | - | 53 | SALEABLE | | 345650003 |
| | | | | | | | | | | | - | - | - | - | - | 47 | 46 | - | - | 43 | 42 | - | 40 | 39 | 38 | - | 36 | 35 | - | - | | | |
| | | | | | | | | | | | | | | | - | 31 | 30 | 29 | - | - | 26 | - | 24 | 23 | 22 | 21 | 20 | 19 | - | - | | | |

| ASSEMBLY DESCRIPTION | ASSEMBLY PART NUMBER | CONNECTOR HOUSING | GROMMET CAP | TPA | RIGHT SLIDE | LEFT SLIDE | MATE ASSIST LEVER | CPA | MAT SEAL | RING SEAL | BLOCKED TERMINALS | | | | | | | | | | | | | | | | STATUS | COMMENTS | INTEGRAL COMPONENTS SOLD SEPARATELY | | | | |
|--|----------------------|-------------------|-------------|--------|-------------|------------|-------------------|-----|----------|-----------|--|----|----|----|----|----|----|----|----|----|----|----|----|----|----|----|--------|----------|-------------------------------------|----------|----------|-----------|-----------|
| | | | | | | | | | | | CAVITY WITH A NUMBER INDICATES BLOCKED TERMINAL POSITION | | | | | | | | | | | | | | | | | | DRESS COVER | | | | |
| | | | | | | | | | | | CAVITY WITHOUT A NUMBER INDICATES OPEN TERMINAL POSITION | | | | | | | | | | | | | | | | | | | | | | |
| MX123 CONN ASSY 73 CKT GRY OPT9 KEY B/29 | 345668773 | C-HSG-B9 | G-CAP-9-P | TPA-B9 | RS | LS | MAL | CPA | MSEAL | RSEAL | - | 71 | - | 69 | - | 67 | 66 | 65 | 64 | 63 | - | - | - | - | 58 | 57 | 56 | - | 54 | 53 | SALEABLE | | 345650003 |
| | | | | | | | | | | | - | 51 | 50 | 49 | - | - | - | 45 | 44 | - | 42 | 41 | - | 39 | 38 | 37 | 36 | 35 | 34 | 33 | | | |
| | | | | | | | | | | | | | | | 32 | 31 | - | 29 | 28 | 27 | 26 | 25 | 24 | 23 | - | - | - | - | - | - | | | |
| MX123 CONN ASSY 73 CKT BLK OPT9 KEY A/48 | 345668783 | C-HSG-A9 | G-CAP-9-P | TPA-A9 | RS | LS | MAL | CPA | MSEAL | RSEAL | - | - | - | - | - | 67 | - | - | - | - | 62 | - | - | 59 | 58 | - | - | 55 | - | - | SALEABLE | | 345650003 |
| | | | | | | | | | | | - | - | - | - | - | 47 | - | - | - | - | 42 | 41 | - | - | - | - | - | 35 | - | - | | | |
| | | | | | | | | | | | | | | | - | - | - | - | - | 27 | 26 | 25 | 24 | - | - | - | 20 | 19 | 18 | 17 | | | |
| MX123 CONN ASSY 73 CKT BLU OPT9 KEY C/38 | 345668793 | C-HSG-C9 | G-CAP-9-P | TPA-C9 | RS | LS | MAL | CPA | MSEAL | RSEAL | 72 | - | - | 69 | 68 | - | - | - | 64 | 63 | 62 | - | - | 59 | 58 | - | 56 | 55 | - | 53 | SALEABLE | | 345650003 |
| | | | | | | | | | | | - | - | - | - | - | - | 46 | - | - | 43 | 42 | - | 40 | 39 | 38 | - | 36 | 35 | - | - | | | |
| | | | | | | | | | | | | | | | - | 31 | 30 | 29 | - | - | 26 | - | 24 | 23 | 22 | 21 | 20 | 19 | - | - | | | |
| MX123 CONN ASSY 73 CKT GRY OPT0 KEY B/34 | 345668803 | C-HSG-B0 | G-CAP-0-P | TPA-B0 | RS | LS | MAL | CPA | MSEAL | RSEAL | 72 | 71 | 70 | 69 | - | - | - | 64 | 63 | 62 | 61 | 60 | - | - | - | 56 | 55 | - | - | SALEABLE | | 345650003 | |
| | | | | | | | | | | | 52 | - | - | - | - | 47 | - | - | 44 | - | - | 41 | - | - | - | - | 36 | 35 | 34 | | | | - |
| | | | | | | | | | | | | | | | - | - | - | 29 | 28 | 27 | - | 25 | - | - | - | 21 | - | 19 | 18 | | | | 17 |
| MX123 CONN ASSY 73 CKT GRY OPT9 KEY B/61 | 345668813 | C-HSG-B9 | G-CAP-9-P | TPA-B9 | RS | LS | MAL | CPA | MSEAL | RSEAL | - | - | - | - | - | 66 | - | - | - | 62 | - | - | - | 58 | - | - | - | - | - | SALEABLE | | 345650003 | |
| | | | | | | | | | | | - | - | - | - | - | - | - | - | - | - | 41 | - | - | 38 | 37 | - | - | - | - | | | | - |
| | | | | | | | | | | | | | | | - | - | - | - | - | - | - | - | - | - | - | 5 | - | - | - | | | | 1 |
| MX123 CONN ASSY 73 CKT BLU OPT9 KEY C/42 | 345668823 | C-HSG-C9 | G-CAP-9-P | TPA-C9 | RS | LS | MAL | CPA | MSEAL | RSEAL | - | - | - | - | 68 | - | - | 65 | - | 63 | 62 | 61 | - | 59 | 58 | 57 | 56 | 55 | - | 53 | SALEABLE | | 345650003 |
| | | | | | | | | | | | - | - | - | - | 48 | - | - | 45 | - | 43 | 42 | 41 | - | - | 38 | 37 | 36 | 35 | 34 | 33 | | | |
| | | | | | | | | | | | | | | | 32 | 31 | - | - | - | - | - | - | - | - | - | 20 | 19 | 18 | - | - | | | |
| MX123 CONN ASSY 73 CKT BLU OPT9 KEY C/49 | 345668833 | C-HSG-C9 | G-CAP-9-P | TPA-C9 | RS | LS | MAL | CPA | MSEAL | RSEAL | - | 71 | - | 69 | - | - | - | 65 | 64 | - | - | 61 | 60 | - | 58 | - | 56 | 55 | - | - | SALEABLE | | 345650003 |
| | | | | | | | | | | | - | - | 50 | - | - | - | - | 45 | - | 43 | 42 | - | - | - | 38 | - | - | - | - | - | | | |
| | | | | | | | | | | | | | | | - | 31 | - | 29 | 28 | - | - | - | - | 23 | - | - | - | 19 | 18 | - | | | |
| MX123 CONN ASSY 73 CKT BLU OPT0 KEY C/42 | 345668843 | C-HSG-C0 | G-CAP-0-P | TPA-C0 | RS | LS | MAL | CPA | MSEAL | RSEAL | - | - | - | - | 68 | - | - | 65 | - | 63 | 62 | 61 | 60 | 59 | 58 | 57 | 56 | 55 | - | 53 | SALEABLE | | 345650003 |
| | | | | | | | | | | | - | - | - | - | 48 | - | - | 45 | - | 43 | 42 | - | 40 | - | - | 37 | 36 | 35 | 34 | 33 | | | |
| | | | | | | | | | | | | | | | 32 | 31 | - | - | - | - | - | - | - | - | - | 20 | 19 | 18 | - | - | | | |
| MX123 CONN ASSY 73 CKT GRY OPT0 KEY B/36 | 345668853 | C-HSG-B0 | G-CAP-0-P | TPA-B0 | RS | LS | MAL | CPA | MSEAL | RSEAL | - | 71 | 70 | 69 | - | - | 66 | 65 | 64 | - | - | - | - | - | 58 | 57 | 56 | - | 54 | 53 | SALEABLE | | 345650003 |
| | | | | | | | | | | | - | 51 | 50 | 49 | - | - | - | 45 | - | - | 42 | - | - | 39 | - | - | - | - | 34 | 33 | | | |
| | | | | | | | | | | | | | | | 32 | 31 | - | 29 | 28 | - | 26 | 25 | 24 | 23 | - | - | - | - | - | 17 | | | |
| MX123 CONN ASSY 73 CKT GRY OPT0 KEY B/44 | 345668863 | C-HSG-B0 | G-CAP-0-P | TPA-B0 | RS | LS | MAL | CPA | MSEAL | RSEAL | - | - | - | - | 68 | 67 | 66 | 65 | - | - | 62 | - | 60 | 59 | - | - | - | - | 54 | 53 | SALEABLE | | 345650003 |
| | | | | | | | | | | | - | - | - | - | 48 | 47 | 46 | 45 | 44 | - | 42 | 41 | 40 | 39 | - | - | - | 35 | 34 | - | | | |
| | | | | | | | | | | | | | | | - | 31 | - | - | - | 27 | - | - | - | - | - | - | - | 19 | 18 | 17 | | | |
| MX123 CONN ASSY 73 CKT GRY OPT0 KEY B/46 | 345668873 | C-HSG-B0 | G-CAP-0-P | TPA-B0 | RS | LS | MAL | CPA | MSEAL | RSEAL | - | - | - | - | 68 | 67 | 66 | 65 | - | - | 62 | - | 60 | 59 | - | - | - | - | 54 | 53 | SALEABLE | | 345650003 |
| | | | | | | | | | | | - | - | - | - | 48 | 47 | 46 | 45 | 44 | - | 42 | 41 | 40 | 39 | - | - | - | 35 | 34 | - | | | |
| | | | | | | | | | | | | | | | - | - | - | - | - | 27 | - | - | - | - | - | - | - | 3 | 2 | 1 | | | |
| MX123 CONN ASSY 73 CKT GRY OPT0 KEY B/69 | 345668883 | C-HSG-B0 | G-CAP-0-P | TPA-B0 | RS | LS | MAL | CPA | MSEAL | RSEAL | - | - | - | - | - | - | - | - | - | - | 62 | - | - | - | - | - | - | - | 54 | 53 | SALEABLE | | 345650003 |
| | | | | | | | | | | | - | - | - | - | - | - | - | - | - | - | 42 | - | - | - | - | - | - | - | - | - | | | |
| | | | | | | | | | | | | | | | - | - | - | - | - | - | - | - | - | - | - | - | - | - | - | - | | | |

| ASSEMBLY DESCRIPTION | ASSEMBLY PART NUMBER | CONNECTOR HOUSING | GROMMET CAP | TPA | RIGHT SLIDE | LEFT SLIDE | MATE ASSIST LEVER | CPA | MAT SEAL | RING SEAL | BLOCKED TERMINALS | | | | | | | | | | | | | | | | | | STATUS | COMMENTS | INTEGRAL COMPONENTS SOLD SEPARATELY | | | | | | | |
|--|----------------------|-------------------|-------------|--------|-------------|------------|-------------------|-----|----------|-----------|--|----|----|----|----|----|----|----|----|----|----|----|----|----|----|----|----|----|--------|----------|-------------------------------------|-----------|-----------|---|---|---|----|----|
| | | | | | | | | | | | CAVITY WITH A NUMBER INDICATES BLOCKED TERMINAL POSITION | | | | | | | | | | | | | | | | | | | | DRESS COVER | | | | | | | |
| | | | | | | | | | | | CAVITY WITHOUT A NUMBER INDICATES OPEN TERMINAL POSITION | | | | | | | | | | | | | | | | | | | | | | | | | | | |
| MX123 CONN ASSY 73 CKT BLK OPTO KEY A/41 | 345668893 | C-HSG-A0 | G-CAP-0-P | TPA-A0 | RS | LS | MAL | CPA | MSEAL | RSEAL | - | 71 | - | 69 | 68 | - | - | - | 64 | - | 62 | 61 | - | - | - | - | - | - | 54 | 53 | SALEABLE | | 345650003 | | | | | |
| | | | | | | | | | | | - | - | 50 | - | - | - | - | - | 44 | - | - | 41 | - | - | - | - | - | - | - | - | | | | - | - | - | 34 | 33 |
| | | | | | | | | | | | | | | | 32 | 31 | 30 | 29 | - | - | 26 | 25 | 24 | - | - | - | 20 | 19 | - | - | | | | | | | | |
| | | | | 16 | 15 | 14 | 13 | - | - | 10 | - | 8 | - | 6 | 5 | 4 | 3 | - | - | | | | | | | | | | | | | | | | | | | |
| MX123 CONN ASSY 73 CKT BLK OPTO KEY A/48 | 345668913 | C-HSG-A0 | G-CAP-0-P | TPA-A0 | RS | LS | MAL | CPA | MSEAL | RSEAL | - | - | - | - | - | 67 | - | - | - | - | 62 | 61 | - | 59 | 58 | - | - | 55 | - | 53 | SALEABLE | | 345650003 | | | | | |
| | | | | | | | | | | | - | - | - | - | - | 47 | - | - | - | - | - | - | - | - | - | - | 35 | - | 33 | | | | | | | | | |
| | | | | | | | | | | | | | | | - | - | - | - | - | 27 | 26 | 25 | 24 | - | - | - | 20 | 19 | 18 | 17 | | | | | | | | |
| | | | | 16 | - | - | - | - | 11 | 10 | 9 | 8 | - | - | - | 4 | 3 | - | - | | | | | | | | | | | | | | | | | | | |
| MX123 CONN ASSY 73 CKT BLK OPTO KEY A/52 | 345668923 | C-HSG-A0 | G-CAP-0-P | TPA-A0 | RS | LS | MAL | CPA | MSEAL | RSEAL | 72 | - | - | - | - | - | 66 | 65 | - | - | - | - | - | - | 58 | - | - | - | - | SALEABLE | | 345650003 | | | | | | |
| | | | | | | | | | | | - | - | - | - | 48 | 47 | - | - | - | - | - | - | - | - | - | 35 | - | 33 | | | | | | | | | | |
| | | | | | | | | | | | | | | | - | 31 | 30 | - | - | - | - | - | 24 | 23 | 22 | - | 20 | 19 | - | | | | 17 | | | | | |
| | | | | - | - | - | - | - | - | - | - | - | 7 | 6 | - | 4 | - | 2 | 1 | | | | | | | | | | | | | | | | | | | |
| MX123 CONN ASSY 73 CKT BLU OPTO KEY C/30 | 345668933 | C-HSG-C0 | G-CAP-0-P | TPA-C0 | RS | LS | MAL | CPA | MSEAL | RSEAL | - | - | 70 | - | - | 67 | - | - | 64 | - | 62 | 61 | 60 | - | - | 57 | - | 55 | 54 | - | SALEABLE | | 345650003 | | | | | |
| | | | | | | | | | | | 52 | 51 | 50 | 49 | 48 | 47 | 46 | 45 | 44 | - | 42 | 41 | 40 | - | - | 37 | - | 35 | 34 | 33 | | | | | | | | |
| | | | | | | | | | | | | | | | 32 | - | - | - | 28 | 27 | 26 | 25 | - | - | - | - | 19 | 18 | 17 | | | | | | | | | |
| | | | | 16 | 15 | 14 | 13 | 12 | 11 | 10 | 9 | 8 | 7 | - | - | - | - | - | - | | | | | | | | | | | | | | | | | | | |
| MX123 CONN ASSY 73 CKT GRY OPTO KEY B/24 | 345668943 | C-HSG-B0 | G-CAP-0-P | TPA-B0 | RS | LS | MAL | CPA | MSEAL | RSEAL | - | 71 | 70 | 69 | - | 67 | 66 | 65 | 64 | 63 | - | - | 60 | 59 | 58 | 57 | 56 | - | 54 | 53 | SALEABLE | | 345650003 | | | | | |
| | | | | | | | | | | | - | 51 | 50 | 49 | 48 | 47 | - | 45 | 44 | - | 42 | 41 | - | 39 | 38 | 37 | 36 | 35 | 34 | 33 | | | | | | | | |
| | | | | | | | | | | | | | | | 32 | 31 | 30 | 29 | 28 | 27 | 26 | 25 | 24 | 23 | - | - | - | - | - | - | | | | | | | | |
| | | | | - | - | - | 13 | 12 | 11 | 10 | 9 | - | 7 | - | 5 | - | - | - | 1 | | | | | | | | | | | | | | | | | | | |
| MX123 CONN ASSY 73 CKT BLU OPT9 KEY C/43 | 345668953 | C-HSG-C9 | G-CAP-9-P | TPA-C9 | RS | LS | MAL | CPA | MSEAL | RSEAL | - | - | - | - | 68 | - | - | 65 | - | 63 | 62 | 61 | - | 59 | 58 | 57 | 56 | 55 | - | 53 | SALEABLE | | 345650003 | | | | | |
| | | | | | | | | | | | - | - | - | - | 48 | - | - | 45 | - | 43 | 42 | 41 | - | - | - | 37 | 36 | 35 | 34 | 33 | | | | | | | | |
| | | | | | | | | | | | | | | | 32 | 31 | - | - | - | - | - | - | - | - | 20 | 19 | 18 | - | | | | | | | | | | |
| | | | | - | - | - | - | - | - | - | - | - | - | - | 4 | 3 | 2 | 1 | | | | | | | | | | | | | | | | | | | | |
| MX123 CONN ASSY 73 CKT GRY OPTO KEY B/31 | 345668963 | C-HSG-B0 | G-CAP-0-P | TPA-B0 | RS | LS | MAL | CPA | MSEAL | RSEAL | - | 71 | 70 | 69 | 68 | 67 | 66 | 65 | 64 | 63 | - | - | - | - | 58 | 57 | 56 | - | 54 | 53 | SALEABLE | | 345650003 | | | | | |
| | | | | | | | | | | | - | 51 | 50 | 49 | - | - | - | 45 | 44 | - | 42 | - | - | 39 | - | - | - | - | 34 | 33 | | | | | | | | |
| | | | | | | | | | | | | | | | 32 | 31 | - | 29 | 28 | 27 | 26 | 25 | 24 | 23 | - | - | - | - | - | - | | | | | | | | |
| | | | | - | - | - | 13 | 12 | 11 | 10 | 9 | 8 | 7 | - | 5 | - | 3 | 2 | - | | | | | | | | | | | | | | | | | | | |
| MX123 CONN ASSY 73 CKT BLK OPTO KEY A/47 | 345668973 | C-HSG-A0 | G-CAP-0-P | TPA-A0 | RS | LS | MAL | CPA | MSEAL | RSEAL | - | - | - | - | - | 67 | - | - | - | - | 62 | 61 | - | 59 | 58 | - | - | 55 | - | 53 | SALEABLE | | 345650003 | | | | | |
| | | | | | | | | | | | - | - | - | - | - | 47 | - | - | - | - | - | 41 | - | - | - | - | 35 | - | 33 | | | | | | | | | |
| | | | | | | | | | | | | | | | - | - | - | - | - | 27 | 26 | 25 | 24 | - | - | - | 20 | 19 | 18 | - | | | | | | | | |
| | | | | 16 | - | - | - | - | 11 | 10 | 9 | 8 | - | - | - | 4 | 3 | - | 1 | | | | | | | | | | | | | | | | | | | |
| MX123 CONN ASSY 73 CKT BLU OPTO KEY C/38 | 345668983 | C-HSG-C0 | G-CAP-0-P | TPA-C0 | RS | LS | MAL | CPA | MSEAL | RSEAL | 72 | - | - | 69 | 68 | - | - | 65 | - | 63 | 62 | - | - | 59 | 58 | - | 56 | 55 | - | 53 | SALEABLE | | 345650003 | | | | | |
| | | | | | | | | | | | - | - | - | - | - | - | 46 | - | - | 43 | 42 | - | 40 | 39 | 38 | - | 36 | 35 | - | - | | | | | | | | |
| | | | | | | | | | | | | | | | - | 31 | 30 | 29 | - | - | 26 | - | 24 | 23 | 22 | 21 | 20 | 19 | - | - | | | | | | | | |
| | | | | - | - | - | - | - | - | - | - | - | - | 6 | 5 | 4 | 3 | 2 | 1 | | | | | | | | | | | | | | | | | | | |
| MX123 CONN ASSY 73 CKT GRY OPTO KEY B/12 | 345668993 | C-HSG-B0 | G-CAP-0-P | TPA-B0 | RS | LS | MAL | CPA | MSEAL | RSEAL | 72 | 71 | 70 | 69 | 68 | 67 | - | 65 | 64 | 63 | - | 61 | 60 | 59 | - | 57 | 56 | 55 | 54 | 53 | SALEABLE | | 345650003 | | | | | |
| | | | | | | | | | | | 52 | 51 | 50 | 49 | 48 | 47 | 46 | 45 | 44 | 43 | 42 | - | 40 | 39 | - | - | 36 | 35 | 34 | 33 | | | | | | | | |
| | | | | | | | | | | | | | | | 32 | 31 | 30 | 29 | 28 | 27 | 26 | 25 | 24 | 23 | 22 | 21 | 20 | - | - | - | | | | | | | | |
| | | | | 16 | 15 | 14 | 13 | 12 | 11 | 10 | 9 | 8 | 7 | 6 | - | 4 | 3 | 2 | - | | | | | | | | | | | | | | | | | | | |
| MX123 CONN ASSY 73 CKT GRY OPTO KEY B/50 | 345669003 | C-HSG-B0 | G-CAP-0-P | TPA-B0 | RS | LS | MAL | CPA | MSEAL | RSEAL | 72 | 71 | 70 | - | - | 67 | - | 65 | 64 | 63 | 62 | 61 | 60 | - | 58 | - | 56 | - | 54 | - | SALEABLE | | 345650003 | | | | | |
| | | | | | | | | | | | 52 | 51 | 50 | - | - | 47 | - | 45 | - | 43 | 42 | 41 | 40 | - | 38 | - | 36 | - | 34 | - | | | | | | | | |
| | | | | | | | | | | | | | | | 32 | 31 | 30 | - | - | 27 | 26 | 25 | 24 | - | 22 | - | 20 | 19 | - | 17 | | | | | | | | |
| | | | | 16 | 15 | 14 | 13 | 12 | - | - | 9 | 8 | - | 6 | 5 | 4 | 3 | 2 | 1 | | | | | | | | | | | | | | | | | | | |
| MX123 CONN ASSY 73 CKT BLK OPTO KEY A/29 | 345669013 | C-HSG-A0 | G-CAP-0-P | TPA-A0 | RS | LS | MAL | CPA | MSEAL | RSEAL | 72 | 71 | 70 | - | - | 67 | 66 | - | - | - | - | - | - | 59 | 58 | 57 | 56 | 55 | 54 | 53 | SALEABLE | | 345650003 | | | | | |
| | | | | | | | | | | | 52 | 51 | 50 | - | - | 47 | 46 | - | - | - | - | - | - | 39 | - | 37 | 36 | 35 | - | 33 | | | | | | | | |
| | | | | | | | | | | | | | | | 32 | 31 | 30 | 29 | 28 | 27 | 26 | - | - | - | - | 21 | - | - | 18 | 17 | | | | | | | | |
| | | | | 16 | 15 | 14 | 13 | 12 | 11 | 10 | - | 8 | 7 | - | - | - | 3 | 2 | 1 | | | | | | | | | | | | | | | | | | | |

| ASSEMBLY DESCRIPTION | ASSEMBLY PART NUMBER | CONNECTOR HOUSING | GROMMET CAP | TPA | RIGHT SLIDE | LEFT SLIDE | MATE ASSIST LEVER | CPA | MAT SEAL | RING SEAL | BLOCKED TERMINALS | | | | | | | | | | | | | | | | | | | | STATUS | COMMENTS | INTEGRAL COMPONENTS SOLD SEPARATELY | |
|--|----------------------|-------------------|-------------|--------|-------------|------------|-------------------|-----|----------|-----------|--|----|----|----|----|----|----|----|----|----|----|----|----|----|----|----|----|----|----|----------|----------|-----------|-------------------------------------|---|
| | | | | | | | | | | | CAVITY WITH A NUMBER INDICATES BLOCKED TERMINAL POSITION | | | | | | | | | | | | | | | | | | | | | | DRESS COVER | |
| | | | | | | | | | | | CAVITY WITHOUT A NUMBER INDICATES OPEN TERMINAL POSITION | | | | | | | | | | | | | | | | | | | | | | | |
| MX123 CONN ASSY 73 CKT GRY OPT0 KEY B/18 | 345669023 | C-HSG-B0 | G-CAP-0-P | TPA-B0 | RS | LS | MAL | CPA | MSEAL | RSEAL | 72 | 71 | 70 | 69 | 68 | 67 | 66 | 65 | 64 | 63 | - | 61 | 60 | - | 58 | 57 | 56 | 55 | 54 | 53 | SALEABLE | | 345650003 | |
| | | | | | | | | | | | 52 | 51 | 50 | 49 | 48 | 47 | 46 | 45 | 44 | 43 | - | - | 40 | - | - | 37 | 36 | 35 | 34 | 33 | | | | |
| | | | | | | | | | | | | | | | 32 | - | 30 | 29 | 28 | - | 26 | 25 | 24 | - | - | 21 | - | 19 | - | - | | | | |
| | | | | | | | | | | | | | | | 16 | - | 14 | 13 | 12 | 11 | 10 | 9 | 8 | - | 6 | 5 | - | - | 2 | 1 | | | | |
| MX123 CONN ASSY 73 CKT BLU OPT0 KEY C/43 | 345669033 | C-HSG-C0 | G-CAP-0-P | TPA-C0 | RS | LS | MAL | CPA | MSEAL | RSEAL | - | 71 | - | 69 | 68 | - | 66 | 65 | 64 | - | 62 | 61 | - | - | - | - | - | 54 | 53 | SALEABLE | | 345650003 | | |
| | | | | | | | | | | | - | - | - | - | 48 | - | - | - | - | 43 | 42 | 41 | 40 | - | - | 37 | 36 | 35 | - | | | | 33 | |
| | | | | | | | | | | | | | | | 32 | - | - | - | - | 27 | - | - | - | - | - | 20 | 19 | 18 | - | | | | - | |
| | | | | | | | | | | | | | | | - | - | - | - | - | 11 | 10 | - | - | - | - | 4 | 3 | 2 | 1 | | | | - | |
| MX123 CONN ASSY 73 CKT BLU OPT0 KEY C/40 | 345669043 | C-HSG-C0 | G-CAP-0-P | TPA-C0 | RS | LS | MAL | CPA | MSEAL | RSEAL | - | - | - | - | 68 | - | - | - | - | 63 | 62 | 61 | 60 | 59 | 58 | 57 | 56 | 55 | - | 53 | SALEABLE | | 345650003 | |
| | | | | | | | | | | | - | - | - | - | 48 | - | - | - | - | 43 | 42 | 41 | 40 | - | - | 37 | 36 | 35 | 34 | 33 | | | | |
| | | | | | | | | | | | | | | | 32 | 31 | - | - | - | 27 | - | - | - | - | - | 20 | 19 | 18 | - | - | | | | |
| | | | | | | | | | | | | | | | - | - | - | - | - | 11 | 10 | - | - | - | - | 4 | 3 | 2 | 1 | - | | | | |
| MX123 CONN ASSY 73 CKT BLU OPT0 KEY C/49 | 345669053 | C-HSG-C0 | G-CAP-0-P | TPA-C0 | RS | LS | MAL | CPA | MSEAL | RSEAL | - | - | - | - | - | 67 | - | - | - | 63 | 62 | - | - | 59 | 58 | - | - | 55 | - | - | SALEABLE | | 345650003 | |
| | | | | | | | | | | | - | - | - | - | - | 47 | - | - | - | - | - | 41 | - | - | - | - | 35 | - | - | | | | | |
| | | | | | | | | | | | | | | | 32 | - | - | - | - | 27 | 26 | 25 | 24 | - | - | - | - | 19 | 18 | 17 | | | | - |
| | | | | | | | | | | | | | | | 16 | - | - | - | - | 11 | 10 | 9 | 8 | - | - | - | - | 3 | - | 1 | | | | - |
| MX123 CONN ASSY 73 CKT GRY OPT0 KEY B/26 | 345669063 | C-HSG-B0 | G-CAP-0-P | TPA-B0 | RS | LS | MAL | CPA | MSEAL | RSEAL | - | 71 | 70 | 69 | - | 67 | 66 | 65 | 64 | 63 | - | - | - | - | 58 | 57 | 56 | - | 54 | 53 | SALEABLE | | 345650003 | |
| | | | | | | | | | | | - | 51 | 50 | 49 | 48 | 47 | - | 45 | - | - | 42 | - | - | 39 | 38 | 37 | 36 | 35 | 34 | 33 | | | | |
| | | | | | | | | | | | | | | | 32 | 31 | 30 | 29 | 28 | 27 | 26 | 25 | 24 | 23 | - | - | - | - | - | - | | | | - |
| | | | | | | | | | | | | | | | - | - | - | 13 | 12 | 11 | 10 | 9 | - | 7 | - | 5 | - | 3 | 2 | 1 | | | | - |
| MX123 CONN ASSY 73 CKT GRY OPT0 KEY B/64 | 345669073 | C-HSG-B0 | G-CAP-0-P | TPA-B0 | RS | LS | MAL | CPA | MSEAL | RSEAL | - | - | - | - | - | - | - | - | - | - | 62 | - | - | - | 58 | - | - | - | 54 | 53 | SALEABLE | | 345650003 | |
| | | | | | | | | | | | - | - | - | - | - | - | - | - | - | - | 42 | - | - | - | - | - | - | - | - | - | | | | |
| | | | | | | | | | | | | | | | - | - | - | - | - | 27 | - | 25 | - | - | - | - | - | - | - | - | | | | |
| | | | | | | | | | | | | | | | - | - | - | - | - | 11 | 10 | - | - | - | - | - | - | - | - | - | | | | |
| MX123 CONN ASSY 73 CKT BLK OPT0 KEY A/36 | 345669083 | C-HSG-A0 | G-CAP-0-P | TPA-A0 | RS | LS | MAL | CPA | MSEAL | RSEAL | - | 71 | - | 69 | 68 | - | 66 | 65 | 64 | - | 62 | 61 | - | - | - | - | - | 54 | 53 | SALEABLE | | 345650003 | | |
| | | | | | | | | | | | - | - | 50 | 49 | - | - | - | 45 | 44 | - | - | 41 | - | - | - | - | - | - | 34 | | | | 33 | |
| | | | | | | | | | | | | | | | 32 | 31 | 30 | 29 | - | - | 26 | 25 | 24 | 23 | - | - | 20 | 19 | - | | | | - | |
| | | | | | | | | | | | | | | | 16 | 15 | 14 | 13 | - | - | 10 | - | 8 | - | 6 | 5 | 4 | 3 | - | | | | - | |
| MX123 CONN ASSY 73 CKT BLK OPT0 KEY A/35 | 345669093 | C-HSG-A0 | G-CAP-0-P | TPA-A0 | RS | LS | MAL | CPA | MSEAL | RSEAL | - | 71 | - | 69 | 68 | - | 66 | 65 | 64 | - | 62 | 61 | - | - | - | - | - | 54 | 53 | SALEABLE | | 345650003 | | |
| | | | | | | | | | | | - | - | 50 | 49 | - | - | - | 45 | 44 | - | - | 41 | - | - | - | - | - | - | 34 | | | | 33 | |
| | | | | | | | | | | | | | | | 32 | 31 | 30 | 29 | - | - | 26 | 25 | 24 | 23 | - | - | 20 | 19 | - | | | | - | |
| | | | | | | | | | | | | | | | 16 | 15 | 14 | 13 | - | - | 10 | - | 8 | 7 | 6 | 5 | 4 | 3 | - | | | | - | |
| MX123 CONN ASSY 73 CKT BLK OPT0 KEY A/30 | 345669103 | C-HSG-A0 | G-CAP-0-P | TPA-A0 | RS | LS | MAL | CPA | MSEAL | RSEAL | 72 | 71 | 70 | 69 | - | 67 | 66 | - | 64 | - | 62 | - | 60 | - | - | 57 | - | 55 | 54 | - | SALEABLE | | 345650003 | |
| | | | | | | | | | | | - | - | - | 49 | 48 | - | 46 | 45 | 44 | 43 | 42 | - | 40 | 39 | - | - | - | - | - | - | | | | |
| | | | | | | | | | | | | | | | - | - | - | - | - | - | 26 | - | - | - | - | - | - | - | - | - | | | | |
| | | | | | | | | | | | | | | | - | - | - | - | - | - | - | - | 8 | 7 | 6 | 5 | 4 | 3 | 2 | - | | | | |
| MX123 CONN ASSY 73 CKT BLK OPT0 KEY A/50 | 345669113 | C-HSG-A0 | G-CAP-0-P | TPA-A0 | RS | LS | MAL | CPA | MSEAL | RSEAL | - | - | - | - | - | 67 | - | - | - | 63 | 62 | - | - | 59 | 58 | - | - | 55 | - | - | SALEABLE | | 345650003 | |
| | | | | | | | | | | | - | - | - | - | - | 47 | - | - | - | - | - | 41 | - | - | - | - | - | 35 | - | - | | | | |
| | | | | | | | | | | | | | | | 32 | - | - | - | - | 27 | 26 | 25 | 24 | - | - | - | - | 19 | 18 | 17 | | | | - |
| | | | | | | | | | | | | | | | 16 | - | - | - | - | 11 | - | 9 | 8 | - | - | - | - | 3 | - | 1 | | | | - |
| MX123 CONN ASSY 73 CKT NAT OPT9 KEY F/57 | 345669143 | C-HSG-F9 | G-CAP-9-P | TPA-F9 | RS | LS | MAL | CPA | MSEAL | RSEAL | - | - | - | 69 | 68 | - | - | - | - | - | - | - | - | - | 58 | 57 | - | - | - | - | SALEABLE | | 345650003 | |
| | | | | | | | | | | | - | - | - | - | - | - | - | - | - | 43 | 42 | - | - | - | 38 | 37 | - | - | - | 33 | | | | |
| | | | | | | | | | | | | | | | - | - | 30 | - | - | - | - | - | - | - | - | - | - | 19 | 18 | 17 | | | | - |
| | | | | | | | | | | | | | | | - | - | - | - | - | - | - | - | - | - | - | - | - | 3 | 2 | 1 | | | | - |
| MX123 CONN ASSY 73 CKT GRY OPT9 KEY B/14 | 345669153 | C-HSG-B9 | G-CAP-9-P | TPA-B9 | RS | LS | MAL | CPA | MSEAL | RSEAL | 72 | 71 | 70 | 69 | 68 | 67 | - | 65 | 64 | 63 | - | 61 | 60 | 59 | - | 57 | 56 | 55 | 54 | 53 | SALEABLE | | 345650003 | |
| | | | | | | | | | | | 52 | 51 | 50 | 49 | 48 | 47 | 46 | 45 | 44 | 43 | 42 | - | 40 | 39 | - | - | 36 | 35 | 34 | 33 | | | | |
| | | | | | | | | | | | | | | | 32 | 31 | 30 | 29 | 28 | 27 | 26 | 25 | 24 | 23 | 22 | 21 | - | - | - | - | | | | - |
| | | | | | | | | | | | | | | | 16 | 15 | 14 | 13 | 12 | 11 | 10 | 9 | - | 7 | 6 | - | 4 | 3 | 2 | - | | | | - |

| ASSEMBLY DESCRIPTION | ASSEMBLY PART NUMBER | CONNECTOR HOUSING | GROMMET CAP | TPA | RIGHT SLIDE | LEFT SLIDE | MATE ASSIST LEVER | CPA | MAT SEAL | RING SEAL | BLOCKED TERMINALS | | | | | | | | | | | | | | | | | | STATUS | COMMENTS | INTEGRAL COMPONENTS SOLD SEPARATELY |
|--|----------------------|-------------------|-------------|--------|-------------|------------|-------------------|-----|----------|-----------|--|----|----|----|----|----|----|----|----|----|----|----|-----------|-----------|-----------|-----------|----|----|--------|----------|-------------------------------------|
| | | | | | | | | | | | CAVITY WITH A NUMBER INDICATES BLOCKED TERMINAL POSITION | | | | | | | | | | | | | | | | | | | | DRESS COVER |
| | | | | | | | | | | | CAVITY WITHOUT A NUMBER INDICATES OPEN TERMINAL POSITION | | | | | | | | | | | | | | | | | | | | |
| MX123 CONN ASSY 73 CKT GRY OPT9 KEY B/30 | 345669163 | C-HSG-B9 | G-CAP-9-P | TPA-B9 | RS | LS | MAL | CPA | MSEAL | RSEAL | 72 | 71 | 70 | 69 | - | - | - | - | 64 | 63 | - | 61 | - | - | 58 | 57 | 56 | 55 | - | - | |
| | | | | | | | | | | | 52 | 51 | 50 | 49 | - | - | - | - | - | 43 | - | - | - | - | 38 | 37 | 36 | - | - | 33 | |
| | | | | | | | | | | | - | | | | 32 | - | 30 | 29 | 28 | - | 26 | 25 | 24 | 23 | 22 | 21 | 20 | - | - | - | |
| | | | | | | | | 16 | - | 14 | 13 | 12 | 11 | 10 | 9 | 8 | 7 | 6 | 5 | 4 | - | - | - | | | 345650003 | | | | | |
| MX123 CONN ASSY 73 CKT GRY OPT0 KEY B/12 | 345669173 | C-HSG-B0 | G-CAP-0-P | TPA-B0 | RS | LS | MAL | CPA | MSEAL | RSEAL | 72 | 71 | 70 | 69 | 68 | 67 | 66 | - | 64 | 63 | - | 61 | 60 | 59 | - | 57 | 56 | 55 | 54 | 53 | |
| | | | | | | | | | | | 52 | 51 | 50 | 49 | 48 | 47 | 46 | 45 | 44 | 43 | 42 | - | 40 | 39 | - | - | 36 | 35 | 34 | 33 | |
| | | | | | | | | | | | - | | | | 32 | 31 | 30 | 29 | 28 | 27 | 26 | 25 | 24 | 23 | 22 | 21 | 20 | - | - | - | |
| | | | | | | | | 16 | 15 | 14 | 13 | 12 | 11 | 10 | 9 | 8 | 7 | 6 | - | 4 | 3 | 2 | - | | | 345650003 | | | | | |
| MX123 CONN ASSY 73 CKT GRY OPT9 KEY B/62 | 345669183 | C-HSG-B9 | G-CAP-9-P | TPA-B9 | RS | LS | MAL | CPA | MSEAL | RSEAL | - | - | - | - | - | - | 66 | - | - | - | - | - | - | 58 | - | - | - | - | | | |
| | | | | | | | | | | | - | - | - | - | - | - | - | - | - | - | - | 41 | - | - | 38 | 37 | - | - | - | | |
| | | | | | | | | | | | - | | | | - | - | - | - | - | - | - | - | - | - | - | - | 20 | - | 18 | 17 | |
| | | | | | | | | - | - | - | - | - | - | - | 8 | - | - | 5 | - | - | - | 1 | | | 345650003 | | | | | | |
| MX123 CONN ASSY 73 CKT NAT OPT9 KEY F/18 | 345669193 | C-HSG-F9 | G-CAP-9-P | TPA-F9 | RS | LS | MAL | CPA | MSEAL | RSEAL | 72 | 71 | 70 | - | - | 67 | 66 | 65 | 64 | 63 | 62 | 61 | 60 | 59 | - | - | 56 | 55 | 54 | 53 | |
| | | | | | | | | | | | 52 | 51 | 50 | 49 | 48 | 47 | 46 | 45 | 44 | - | - | 41 | 40 | 39 | - | - | 36 | 35 | 34 | - | |
| | | | | | | | | | | | - | | | | 32 | 31 | - | 29 | 28 | 27 | 26 | 25 | 24 | 23 | 22 | 21 | 20 | - | - | - | |
| | | | | | | | | 16 | 15 | 14 | 13 | 12 | 11 | 10 | 9 | - | 7 | 6 | 5 | 4 | - | - | - | | | 345650003 | | | | | |
| MX123 CONN ASSY 73 CKT BLK OPT0 KEY A/24 | 345669203 | C-HSG-A0 | G-CAP-0-P | TPA-A0 | RS | LS | MAL | CPA | MSEAL | RSEAL | - | - | - | - | - | - | 65 | - | - | - | 61 | - | - | 58 | 57 | 56 | - | - | | | |
| | | | | | | | | | | | - | 51 | 50 | - | - | 47 | 46 | 45 | - | - | - | 41 | - | - | - | 37 | 36 | - | - | | |
| | | | | | | | | | | | - | | | | 32 | 31 | - | - | - | - | 26 | 25 | - | - | 22 | 21 | 20 | - | - | - | |
| | | | | | | | | - | 15 | 14 | - | - | - | 10 | - | - | - | - | - | - | - | - | | | 345650003 | | | | | | |
| MX123 CONN ASSY 73 CKT GRY OPT0 KEY B/46 | 345669213 | C-HSG-B0 | G-CAP-0-P | TPA-B0 | RS | LS | MAL | CPA | MSEAL | RSEAL | 72 | 71 | 70 | 69 | - | - | - | - | 63 | 62 | 61 | 60 | - | - | - | 56 | - | - | | | |
| | | | | | | | | | | | 52 | - | - | - | - | 47 | - | - | 44 | - | - | - | - | - | - | 36 | - | 34 | - | | |
| | | | | | | | | | | | - | | | | - | - | - | 29 | 28 | 27 | - | 25 | - | - | - | 21 | - | 19 | 18 | 17 | |
| | | | | | | | | - | 15 | 14 | - | 12 | 11 | - | - | - | - | - | - | - | - | 1 | | | 345650003 | | | | | | |
| MX123 CONN ASSY 73 CKT GRY OPT9 KEY B/30 | 345669223 | C-HSG-B9 | G-CAP-9-P | TPA-B9 | RS | LS | MAL | CPA | MSEAL | RSEAL | - | 71 | 70 | 69 | 68 | 67 | 66 | 65 | 64 | 63 | - | - | - | 58 | 57 | 56 | - | 54 | 53 | | |
| | | | | | | | | | | | - | 51 | 50 | 49 | - | - | - | 45 | 44 | 43 | 42 | - | - | 39 | - | - | - | 34 | 33 | | |
| | | | | | | | | | | | - | | | | 32 | 31 | - | 29 | 28 | 27 | 26 | 25 | 24 | 23 | - | - | - | - | 17 | | |
| | | | | | | | | - | - | - | 13 | 12 | 11 | 10 | 9 | 8 | 7 | - | 5 | - | - | 2 | - | | | 345650003 | | | | | |
| MX123 CONN ASSY 73 CKT BLU OPT9 KEY C/40 | 345669233 | C-HSG-C9 | G-CAP-9-P | TPA-C9 | RS | LS | MAL | CPA | MSEAL | RSEAL | 72 | - | 70 | 69 | 68 | - | 66 | - | - | 63 | 62 | - | - | - | 58 | - | 56 | 55 | - | 53 | |
| | | | | | | | | | | | - | - | - | 49 | - | - | 46 | - | - | 43 | 42 | - | 40 | - | 38 | - | 36 | 35 | - | - | |
| | | | | | | | | | | | - | | | | - | 31 | 30 | 29 | - | - | 26 | - | 24 | - | 22 | 21 | 20 | 19 | - | 17 | |
| | | | | | | | | - | - | - | - | - | - | - | - | - | 4 | 3 | 2 | 1 | | | 345650003 | | | | | | | | |
| MX123 CONN ASSY 73 CKT GRY OPT9 KEY B/44 | 345669243 | C-HSG-B9 | G-CAP-9-P | TPA-B9 | RS | LS | MAL | CPA | MSEAL | RSEAL | - | - | - | - | 68 | 67 | 66 | 65 | - | - | 62 | - | 60 | 59 | - | - | - | 54 | 53 | | |
| | | | | | | | | | | | - | - | - | - | 48 | 47 | 46 | 45 | 44 | - | 42 | 41 | 40 | 39 | - | - | - | 35 | 34 | - | |
| | | | | | | | | | | | - | | | | - | 31 | - | - | - | 27 | - | - | - | - | - | - | 19 | 18 | 17 | | |
| | | | | | | | | - | 15 | - | - | - | - | - | - | - | - | 3 | 2 | 1 | | | 345650003 | | | | | | | | |
| MX123 CONN ASSY 73 CKT GRY OPT9 KEY B/61 | 345669253 | C-HSG-B9 | G-CAP-9-P | TPA-B9 | RS | LS | MAL | CPA | MSEAL | RSEAL | - | - | - | - | - | - | 66 | - | - | - | - | - | - | 58 | - | - | - | - | | | |
| | | | | | | | | | | | - | - | - | - | - | - | - | - | - | - | - | 41 | - | - | 38 | 37 | - | - | - | | |
| | | | | | | | | | | | - | | | | - | - | - | - | - | - | - | - | - | - | - | - | 20 | 19 | 18 | 17 | |
| | | | | | | | | - | - | - | - | - | - | 8 | - | - | 5 | - | - | - | 1 | | | 345650003 | | | | | | | |
| MX123 CONN ASSY 73 CKT GRY OPT9 KEY B/22 | 345669263 | C-HSG-B9 | G-CAP-9-P | TPA-B9 | RS | LS | MAL | CPA | MSEAL | RSEAL | - | 71 | 70 | 69 | - | 67 | 66 | 65 | 64 | 63 | - | - | - | 58 | 57 | 56 | - | 54 | 53 | | |
| | | | | | | | | | | | - | 51 | 50 | 49 | 48 | 47 | - | 45 | 44 | - | 42 | - | - | 39 | 38 | 37 | 36 | 35 | 34 | 33 | |
| | | | | | | | | | | | - | | | | 32 | 31 | 30 | 29 | 28 | 27 | 26 | 25 | 24 | 23 | - | - | - | 19 | 18 | 17 | |
| | | | | | | | | - | - | - | 13 | 12 | 11 | 10 | 9 | - | 7 | - | 5 | - | 3 | 2 | 1 | | | 345650003 | | | | | |
| MX123 CONN ASSY 73 CKT GRY OPT9 KEY B/57 | 345669273 | C-HSG-B9 | G-CAP-9-P | TPA-B9 | RS | LS | MAL | CPA | MSEAL | RSEAL | - | - | - | - | - | - | 66 | - | - | - | 62 | - | - | - | 58 | - | - | - | - | | |
| | | | | | | | | | | | 52 | 51 | - | - | - | - | - | 45 | - | - | - | 41 | - | - | 38 | 37 | - | - | - | | |
| | | | | | | | | | | | - | | | | - | - | - | - | - | - | - | - | - | - | - | - | 20 | 19 | 18 | 17 | |
| | | | | | | | | - | - | - | - | - | - | 8 | - | - | 5 | - | - | - | 1 | | | 345650003 | | | | | | | |

| ASSEMBLY DESCRIPTION | ASSEMBLY PART NUMBER | CONNECTOR HOUSING | GROMMET CAP | TPA | RIGHT SLIDE | LEFT SLIDE | MATE ASSIST LEVER | CPA | MAT SEAL | RING SEAL | BLOCKED TERMINALS | | | | | | | | | | | | | | | | | | STATUS | COMMENTS | INTEGRAL COMPONENTS SOLD SEPARATELY | | | |
|--|----------------------|-------------------|-------------|--------|-------------|------------|-------------------|-----|----------|-----------|--|----|----|----|----|----|----|----|----|----|----|----|----|----|----|----|----|----|----------|----------|-------------------------------------|-----------|-----------|---|
| | | | | | | | | | | | CAVITY WITH A NUMBER INDICATES BLOCKED TERMINAL POSITION | | | | | | | | | | | | | | | | | | | | DRESS COVER | | | |
| | | | | | | | | | | | CAVITY WITHOUT A NUMBER INDICATES OPEN TERMINAL POSITION | | | | | | | | | | | | | | | | | | | | | | | |
| MX123 CONN ASSY 73 CKT BLK OPT0 KEY A/33 | 345669773 | C-HSG-A0 | G-CAP-0-P | TPA-A0 | RS | LS | MAL | CPA | MSEAL | RSEAL | - | - | - | 69 | 68 | - | - | 65 | 64 | 63 | 62 | 61 | 60 | - | 58 | 57 | 56 | 55 | 54 | - | SALEABLE | | 345650003 | |
| | | | | | | | | | | | - | - | - | 49 | 48 | - | - | 45 | 44 | 43 | 42 | 41 | 40 | - | 38 | - | 36 | - | 34 | - | | | | |
| | | | | | | | | | | | - | - | - | - | 32 | 31 | - | - | - | - | - | 25 | 24 | 23 | 22 | - | 20 | 19 | 18 | - | | | | |
| MX123 CONN ASSY 73 CKT GRY OPT0 KEY B/58 | 345669783 | C-HSG-B0 | G-CAP-0-P | TPA-B0 | RS | LS | MAL | CPA | MSEAL | RSEAL | - | - | - | - | - | - | 66 | - | - | - | - | - | - | 58 | - | - | - | - | - | SALEABLE | | 345650003 | | |
| | | | | | | | | | | | 52 | 51 | - | - | - | - | - | 45 | - | - | - | 41 | - | - | 38 | 37 | - | - | - | | | | - | |
| | | | | | | | | | | | - | - | - | - | - | - | - | - | - | - | - | - | - | - | - | - | 20 | 19 | 18 | | | | 17 | |
| MX123 CONN ASSY 73 CKT GRY OPT9 KEY B/47 | 345669793 | C-HSG-B9 | G-CAP-9-P | TPA-B9 | RS | LS | MAL | CPA | MSEAL | RSEAL | - | - | 70 | - | - | - | 66 | - | - | - | 62 | - | 60 | 59 | - | - | - | - | - | SALEABLE | | 345650003 | | |
| | | | | | | | | | | | - | - | - | - | - | - | 46 | 45 | - | - | 42 | - | 40 | 39 | - | - | - | 35 | 34 | | | | 33 | |
| | | | | | | | | | | | - | - | - | - | 32 | 31 | 30 | - | - | 27 | - | - | - | - | - | 21 | - | 19 | 18 | | | | 17 | |
| MX123 CONN ASSY 73 CKT BLK OPT0 KEY A/32 | 345669803 | C-HSG-A0 | G-CAP-0-P | TPA-A0 | RS | LS | MAL | CPA | MSEAL | RSEAL | - | - | - | - | - | 67 | 66 | - | - | - | 62 | - | 60 | - | 58 | - | - | 55 | 54 | 53 | SALEABLE | | 345650003 | |
| | | | | | | | | | | | - | - | - | - | 48 | - | 46 | 45 | 44 | 43 | 42 | - | 40 | 39 | - | - | - | 35 | - | - | | | | |
| | | | | | | | | | | | - | - | - | - | - | - | - | - | - | - | 26 | 25 | - | - | 22 | 21 | - | - | - | 17 | | | | |
| MX123 CONN ASSY 73 CKT BLK OPT9 KEY A/42 | 345669813 | C-HSG-A9 | G-CAP-9-P | TPA-A9 | RS | LS | MAL | CPA | MSEAL | RSEAL | - | - | - | 69 | 68 | - | - | - | - | - | - | 60 | - | 58 | 57 | 56 | - | - | - | SALEABLE | | 345650003 | | |
| | | | | | | | | | | | - | - | 50 | 49 | 48 | - | - | - | - | - | - | 40 | - | 38 | - | - | - | - | - | | | | | |
| | | | | | | | | | | | - | - | - | - | 32 | 31 | - | - | 28 | 27 | 26 | - | 24 | 23 | 22 | 21 | 20 | 19 | - | | | | - | |
| MX123 CONN ASSY 73 CKT BLK OPT0 KEY A/60 | 345669823 | C-HSG-A0 | G-CAP-0-P | TPA-A0 | RS | LS | MAL | CPA | MSEAL | RSEAL | - | - | - | - | - | - | 66 | - | - | - | 62 | - | - | - | 58 | - | - | - | - | SALEABLE | | 345650003 | | |
| | | | | | | | | | | | - | - | - | - | - | - | - | - | - | - | - | 41 | - | - | 38 | 37 | - | - | - | | | | - | |
| | | | | | | | | | | | - | - | - | - | - | - | - | - | - | - | - | - | - | - | - | - | 20 | 19 | 18 | | | | 17 | |
| MX123 CONN ASSY 73 CKT GRY OPT9 KEY B/51 | 345669833 | C-HSG-B9 | G-CAP-9-P | TPA-B9 | RS | LS | MAL | CPA | MSEAL | RSEAL | - | - | - | - | - | - | 66 | 65 | - | - | 62 | - | 60 | 59 | - | - | - | - | - | SALEABLE | | 345650003 | | |
| | | | | | | | | | | | - | - | - | - | - | - | 46 | 45 | - | - | 42 | - | 40 | 39 | - | - | - | 35 | 34 | | | | - | |
| | | | | | | | | | | | - | - | - | - | - | 31 | - | - | - | 27 | - | - | - | - | - | - | - | 19 | 18 | | | | 17 | |
| MX123 CONN ASSY 73 CKT BLK OPT9 KEY A/41 | 345669843 | C-HSG-A9 | G-CAP-9-P | TPA-A9 | RS | LS | MAL | CPA | MSEAL | RSEAL | - | - | - | 69 | 68 | - | - | - | - | - | - | 60 | - | 58 | 57 | 56 | - | - | - | SALEABLE | | 345650003 | | |
| | | | | | | | | | | | - | - | - | 49 | 48 | - | - | - | - | - | - | - | - | 38 | - | - | - | - | - | | | | | |
| | | | | | | | | | | | - | - | - | - | 32 | 31 | - | - | 28 | 27 | 26 | 25 | 24 | 23 | 22 | 21 | 20 | 19 | - | | | | - | |
| MX123 CONN ASSY 73 CKT GRY OPT9 KEY B/62 | 345669853 | C-HSG-B9 | G-CAP-9-P | TPA-B9 | RS | LS | MAL | CPA | MSEAL | RSEAL | - | - | - | - | - | - | 66 | - | - | - | - | - | - | - | - | - | - | - | SALEABLE | | 345650003 | | | |
| | | | | | | | | | | | - | - | - | - | - | - | - | - | - | - | - | 41 | - | - | 38 | 37 | - | - | | | | - | - | |
| | | | | | | | | | | | - | - | - | - | - | - | - | - | - | - | - | - | - | - | - | - | 19 | 18 | | | | 17 | - | |
| MX123 CONN ASSY 73 CKT GRY OPT0 KEY B/61 | 345669863 | C-HSG-B0 | G-CAP-0-P | TPA-B0 | RS | LS | MAL | CPA | MSEAL | RSEAL | - | - | - | - | - | - | 66 | - | - | - | - | - | - | 58 | - | - | - | - | SALEABLE | | 345650003 | | | |
| | | | | | | | | | | | - | - | - | - | - | - | - | - | - | - | - | - | 41 | - | - | 38 | 37 | - | | | | - | - | - |
| | | | | | | | | | | | - | - | - | - | - | - | - | - | - | - | - | - | - | - | - | - | 20 | 19 | | | | 18 | 17 | |
| MX123 CONN ASSY 73 CKT BLK OPT0 KEY A/33 | 345669903 | C-HSG-A0 | G-CAP-0-P | TPA-A0 | RS | LS | MAL | CPA | MSEAL | RSEAL | 72 | - | 70 | - | - | 67 | 66 | - | - | - | 62 | - | 60 | - | - | - | 55 | 54 | 53 | SALEABLE | | 345650003 | | |
| | | | | | | | | | | | - | 51 | - | - | 48 | - | 46 | 45 | 44 | 43 | 42 | - | 40 | 39 | - | - | - | 35 | - | | | | - | |
| | | | | | | | | | | | - | - | - | - | - | - | - | - | - | 26 | 25 | - | - | 22 | 21 | - | - | - | - | | | | - | |
| MX123 CONN ASSY 73 CKT BLK OPT0 KEY A/41 | 345669913 | C-HSG-A0 | G-CAP-0-P | TPA-A0 | RS | LS | MAL | CPA | MSEAL | RSEAL | - | - | 70 | 69 | - | - | - | - | - | 63 | 62 | 61 | 60 | - | 58 | 57 | 56 | 55 | 54 | 53 | SALEABLE | | 345650003 | |
| | | | | | | | | | | | 52 | 51 | - | 49 | - | - | - | - | 44 | 43 | 42 | 41 | - | - | - | 37 | 36 | 35 | 34 | 33 | | | | |
| | | | | | | | | | | | - | - | - | - | 32 | - | - | 29 | 28 | 27 | 26 | - | - | 23 | - | - | - | 19 | 18 | - | | | | |

| ASSEMBLY DESCRIPTION | ASSEMBLY PART NUMBER | CONNECTOR HOUSING | GROMMET CAP | TPA | RIGHT SLIDE | LEFT SLIDE | MATE ASSIST LEVER | CPA | MAT SEAL | RING SEAL | BLOCKED TERMINALS | | | | | | | | | | | | | | | | | | | | STATUS | COMMENTS | INTEGRAL COMPONENTS SOLD SEPARATELY |
|--|----------------------|-------------------|-------------|--------|-------------|------------|-------------------|-----|----------|-----------|--|----|----|----|----|----|----|----|----|----|----|----|----|----|----|----|----|----|----|----|----------|----------|-------------------------------------|
| | | | | | | | | | | | CAVITY WITH A NUMBER INDICATES BLOCKED TERMINAL POSITION CAVITY WITHOUT A NUMBER INDICATES OPEN TERMINAL POSITION | | | | | | | | | | | | | | | | | | | | | | DRESS COVER |
| | | | | | | | | | | | | | | | | | | | | | | | | | | | | | | | | | |
| MX123 CONN ASSY 73 CKT BLK OPT0 KEY A/41 | 345669923 | C-HSG-A0 | G-CAP-0-P | TPA-A0 | RS | LS | MAL | CPA | MSEAL | RSEAL | - | - | 70 | 69 | 68 | - | - | 65 | 64 | 63 | - | - | - | 59 | 58 | - | 56 | - | - | 53 | SALEABLE | | 345650003 |
| | | | | | | | | | | | 52 | - | 50 | 49 | - | 47 | - | - | - | - | - | 41 | 40 | - | 38 | 37 | 36 | - | 34 | - | | | |
| | | | | | | | | | | | | | | | 32 | 31 | 30 | 29 | 28 | 27 | - | - | - | 23 | 22 | 21 | 20 | 19 | 18 | 17 | | | |
| | | | | | | | | | | | | | | | 16 | - | - | 13 | 12 | 11 | 10 | 9 | - | - | - | - | - | - | - | - | | | |
| MX123 CONN ASSY 73 CKT GRY OPT0 KEY B/51 | 345669933 | C-HSG-B0 | G-CAP-0-P | TPA-B0 | RS | LS | MAL | CPA | MSEAL | RSEAL | 72 | 71 | 70 | - | 68 | 67 | 66 | - | - | - | 62 | 61 | 60 | 59 | 58 | 57 | 56 | 55 | 54 | 53 | SALEABLE | | 345650003 |
| | | | | | | | | | | | 52 | 51 | 50 | - | 48 | 47 | 46 | - | - | - | 42 | 41 | 40 | 39 | 38 | 37 | 36 | 35 | 34 | 33 | | | |
| | | | | | | | | | | | | | | | 32 | 31 | 30 | 29 | 28 | 27 | 26 | 25 | 24 | 23 | - | - | - | - | - | - | | | |
| | | | | | | | | | | | | | | | 16 | 15 | 14 | 13 | - | - | 10 | 9 | 8 | 7 | - | - | - | - | - | - | | | |
| MX123 CONN ASSY 73 CKT BLU OPT0 KEY C/38 | 345669943 | C-HSG-C0 | G-CAP-0-P | TPA-C0 | RS | LS | MAL | CPA | MSEAL | RSEAL | 72 | - | 70 | - | 68 | 67 | 66 | - | - | 63 | 62 | - | - | 59 | - | 57 | - | - | - | 53 | SALEABLE | | 345650003 |
| | | | | | | | | | | | 52 | 51 | - | - | 48 | 47 | 46 | - | 44 | - | 42 | - | 40 | 39 | 38 | - | - | - | 34 | 33 | | | |
| | | | | | | | | | | | | | | | 32 | - | 30 | - | - | 27 | 26 | 25 | - | - | 22 | 21 | 20 | - | - | - | | | |
| | | | | | | | | | | | | | | | - | 15 | 14 | - | - | - | 10 | 9 | - | - | 6 | 5 | 4 | - | - | - | | | |
| MX123 CONN ASSY 73 CKT BLK OPT0 KEY A/51 | 345669953 | C-HSG-A0 | G-CAP-0-P | TPA-A0 | RS | LS | MAL | CPA | MSEAL | RSEAL | 72 | 71 | 70 | 69 | 68 | - | 66 | 65 | 64 | 63 | - | 61 | - | 59 | 58 | - | 56 | - | 54 | 53 | SALEABLE | | 345650003 |
| | | | | | | | | | | | 52 | - | 50 | 49 | - | 47 | - | - | - | - | 42 | 41 | 40 | - | 38 | 37 | 36 | - | 34 | 33 | | | |
| | | | | | | | | | | | | | | | 32 | 31 | 30 | 29 | 28 | 27 | 26 | - | 24 | 23 | 22 | 21 | 20 | 19 | 18 | 17 | | | |
| | | | | | | | | | | | | | | | 16 | - | - | 13 | 12 | 11 | 10 | 9 | 8 | - | - | - | - | - | - | 1 | | | |
| MX123 CONN ASSY 73 CKT GRY OPT0 KEY B/24 | 345669963 | C-HSG-B0 | G-CAP-0-P | TPA-B0 | RS | LS | MAL | CPA | MSEAL | RSEAL | 72 | 71 | 70 | 69 | - | - | 66 | 65 | - | - | 62 | 61 | 60 | 59 | - | 57 | 56 | - | 54 | 53 | SALEABLE | | 345650003 |
| | | | | | | | | | | | 52 | 51 | 50 | 49 | 48 | 47 | - | - | 44 | - | 42 | 41 | 40 | 39 | - | 37 | 36 | - | 34 | 33 | | | |
| | | | | | | | | | | | | | | | - | 31 | - | - | - | - | 26 | 25 | 24 | 23 | - | 21 | 20 | - | 18 | - | | | |
| | | | | | | | | | | | | | | | 16 | - | 14 | - | 12 | 11 | - | 9 | 8 | 7 | 6 | 5 | 4 | 3 | 2 | - | | | |
| MX123 CONN ASSY 73 CKT GRY OPT0 KEY B/19 | 345669973 | C-HSG-B0 | G-CAP-0-P | TPA-B0 | RS | LS | MAL | CPA | MSEAL | RSEAL | 72 | 71 | 70 | 69 | - | - | 66 | 65 | - | - | 62 | 61 | 60 | 59 | - | 57 | 56 | 55 | 54 | 53 | SALEABLE | | 345650003 |
| | | | | | | | | | | | 52 | 51 | 50 | 49 | 48 | 47 | - | - | 44 | - | 42 | 41 | 40 | 39 | - | 37 | 36 | 35 | 34 | 33 | | | |
| | | | | | | | | | | | | | | | - | 31 | - | - | - | - | 26 | 25 | 24 | 23 | - | 21 | 20 | 19 | 18 | - | | | |
| | | | | | | | | | | | | | | | 16 | - | 14 | - | 12 | 11 | - | 9 | 8 | 7 | 6 | 5 | 4 | 3 | 2 | 1 | | | |

MX123 52/66/73/80-WAY RECEPTACLE ASSY SEALED PIN OUT SHEET

| UNCHECKED cavity number(s) are OPEN | | | | | | | | | | | | | | | | | | | | | | | | | | | | | | | | | | | |
|-------------------------------------|-------------------------------------|-------------------------------------|-------------------------------------|-------------------------------------|-------------------------------------|-------------------------------------|--------------------------|--------------------------|--------------------------|-------------------------------------|-------------------------------------|-------------------------------------|-------------------------------------|-------------------------------------|-------------------------------------|-------------------------------------|-------------------------------------|-------------------------------------|-------------------------------------|-------------------------------------|-------------------------------------|-------------------------------------|-------------------------------------|-------------------------------------|-------------------------------------|-------------------------------------|-------------------------------------|-------------------------------------|-------------------------------------|-------------------------------------|-------------------------------------|-------------------------------------|-------------------------------------|--|--|
| 72 | 71 | 70 | 69 | 68 | 67 | 66 | 65 | 64 | 63 | 62 | 61 | 60 | 59 | 58 | 57 | 56 | 55 | 54 | 53 | | | | | | | | | | | | | | | | |
| <input checked="" type="checkbox"/> | <input checked="" type="checkbox"/> | <input checked="" type="checkbox"/> | <input type="checkbox"/> | <input type="checkbox"/> | <input type="checkbox"/> | <input checked="" type="checkbox"/> | <input type="checkbox"/> | <input type="checkbox"/> | <input type="checkbox"/> | <input checked="" type="checkbox"/> | <input checked="" type="checkbox"/> | <input checked="" type="checkbox"/> | <input checked="" type="checkbox"/> | <input type="checkbox"/> | <input checked="" type="checkbox"/> | <input checked="" type="checkbox"/> | <input checked="" type="checkbox"/> | <input checked="" type="checkbox"/> | <input checked="" type="checkbox"/> | <input checked="" type="checkbox"/> | <input checked="" type="checkbox"/> | <input checked="" type="checkbox"/> | | | | | | | | | | | | | |
| 52 | 51 | 50 | 49 | 48 | 47 | 46 | 45 | 44 | 43 | 42 | 41 | 40 | 39 | 38 | 37 | 36 | 35 | 34 | 33 | | | | | | | | | | | | | | | | |
| <input checked="" type="checkbox"/> | <input checked="" type="checkbox"/> | <input checked="" type="checkbox"/> | <input checked="" type="checkbox"/> | <input checked="" type="checkbox"/> | <input checked="" type="checkbox"/> | <input checked="" type="checkbox"/> | <input type="checkbox"/> | <input type="checkbox"/> | <input type="checkbox"/> | <input type="checkbox"/> | <input checked="" type="checkbox"/> | <input checked="" type="checkbox"/> | <input checked="" type="checkbox"/> | <input checked="" type="checkbox"/> | <input checked="" type="checkbox"/> | <input checked="" type="checkbox"/> | <input checked="" type="checkbox"/> | <input checked="" type="checkbox"/> | <input checked="" type="checkbox"/> | <input checked="" type="checkbox"/> | <input checked="" type="checkbox"/> | <input checked="" type="checkbox"/> | | | | | | | | | | | | | |
| | | | | | | | | | | | | 32 | 31 | 30 | 29 | 28 | 27 | 26 | 25 | 24 | 23 | 22 | 21 | 20 | 19 | 18 | 17 | | | | | | | | |
| | | | | | | | | | | | | <input type="checkbox"/> | <input checked="" type="checkbox"/> | <input type="checkbox"/> | <input type="checkbox"/> | <input type="checkbox"/> | <input type="checkbox"/> | <input checked="" type="checkbox"/> | <input checked="" type="checkbox"/> | <input checked="" type="checkbox"/> | <input checked="" type="checkbox"/> | <input checked="" type="checkbox"/> | <input checked="" type="checkbox"/> | <input checked="" type="checkbox"/> | <input checked="" type="checkbox"/> | <input checked="" type="checkbox"/> | <input checked="" type="checkbox"/> | <input checked="" type="checkbox"/> | <input checked="" type="checkbox"/> | <input checked="" type="checkbox"/> | <input checked="" type="checkbox"/> | <input checked="" type="checkbox"/> | <input checked="" type="checkbox"/> | | |
| | | | | | | | | | | | | <input checked="" type="checkbox"/> | 16 | 15 | 14 | 13 | 12 | 11 | 10 | 9 | 8 | 7 | 6 | 5 | 4 | 3 | 2 | 1 | | | | | | | |
| | | | | | | | | | | | | <input checked="" type="checkbox"/> | <input type="checkbox"/> | <input checked="" type="checkbox"/> | <input type="checkbox"/> | <input checked="" type="checkbox"/> | <input checked="" type="checkbox"/> | <input type="checkbox"/> | <input type="checkbox"/> | <input checked="" type="checkbox"/> | <input checked="" type="checkbox"/> | <input checked="" type="checkbox"/> | <input checked="" type="checkbox"/> | <input checked="" type="checkbox"/> | <input checked="" type="checkbox"/> | <input checked="" type="checkbox"/> | <input checked="" type="checkbox"/> | <input checked="" type="checkbox"/> | <input checked="" type="checkbox"/> | <input checked="" type="checkbox"/> | <input checked="" type="checkbox"/> | <input checked="" type="checkbox"/> | <input checked="" type="checkbox"/> | | |

FOR ADDITIONAL INFORMATION SEE SD-34566-001

| STATUS | GM PART # | HRNS CONN ASSY | | | TPA | GROMMET CAP | | | | | | | | | | | | | | | | | | | | | | | |
|----------------|-----------|----------------|-------------------|------------|--------------|---|----|----|----|----|----|----|----|----|----|----|----|----|----|----|----|----|----|----|----|--|--|--|--|
| | | MATERIAL/PART | WIRE DRESS OPTION | KEY OPTION | COLOR OPTION | NUMBERS INDICATE CAVITIES OPEN FOR CIRCUITS | | | | | | | | | | | | | | | | | | | | | | | |
| | | NUMBER | | | | | | | | | | | | | | | | | | | | | | | | | | | |
| SALEABLE | 12672860 | 34566-0103 | 0 | A | BLACK | | | | | | | | | | | | | | | | | | | | | | | | |
| SALEABLE | 12672862 | 34566-0203 | 0 | B | ST GRY | 72 | 71 | 70 | 69 | 68 | 67 | 66 | 65 | 64 | 63 | 62 | 61 | 60 | 59 | 58 | 57 | 56 | 55 | 54 | 53 | | | | |
| SALEABLE | 12672864 | 34566-0303 | 0 | C | BLUE | 52 | 51 | 50 | 49 | 48 | 47 | 46 | 45 | 44 | 43 | 42 | 41 | 40 | 39 | 38 | 37 | 36 | 35 | 34 | 33 | | | | |
| TOOL DES. REL. | 12615660 | 34566-0403 | 0 | D | BROWN | 73 | | | | 32 | 31 | 30 | 29 | 28 | 27 | 26 | 25 | 24 | 23 | 22 | 21 | 20 | 19 | 18 | 17 | | | | |
| TOOL DES. REL. | 12615661 | 34566-0503 | 0 | E | GREEN | 73 | | | | 16 | 15 | 14 | 13 | 12 | 11 | 10 | 9 | 8 | 7 | 6 | 5 | 4 | 3 | 2 | 1 | | | | |
| SALEABLE | 12672866 | 34566-0603 | 0 | F | NATURAL | | | | | | | | | | | | | | | | | | | | | | | | |
| SALEABLE | 12672872 | 34566-0703 | 0 | G | BLUE | | | | | | | | | | | | | | | | | | | | | | | | |
| SALEABLE | 12672870 | 34566-0803 | 0 | H | ST GRY | 80 | 79 | 78 | 77 | 76 | 75 | 74 | 73 | 72 | 71 | 70 | 69 | 68 | 67 | 66 | 65 | 64 | 63 | 62 | 61 | | | | |
| TOOL DES. REL. | 12672868 | 34566-0903 | 0 | J | BLACK | 60 | 61 | 62 | 63 | 64 | 65 | 66 | 67 | 68 | 69 | 70 | 71 | 72 | 73 | 74 | 75 | 76 | 77 | 78 | 79 | | | | |
| TOOL DES. REL. | TBD | 34566-1003 | 0 | K | BROWN | 40 | 39 | 38 | 37 | 36 | 35 | 34 | 33 | 32 | 31 | 30 | 29 | 28 | 27 | 26 | 25 | 24 | 23 | 22 | 21 | | | | |
| TOOL DES. REL. | TBD | 34566-1103 | 0 | L | GREEN | 20 | 19 | 18 | 17 | 16 | 15 | 14 | 13 | 12 | 11 | 10 | 9 | 8 | 7 | 6 | 5 | 4 | 3 | 2 | 1 | | | | |
| TOOL DES. REL. | TBD | 34566-1203 | 0 | M | NATURAL | | | | | | | | | | | | | | | | | | | | | | | | |
| SALEABLE | 12672861 | 34566-1303 | 9 | A | BLACK | | | | | | | | | | | | | | | | | | | | | | | | |
| SALEABLE | 12672863 | 34566-1403 | 9 | B | ST GRY | 72 | 71 | 70 | 69 | 68 | 67 | 66 | 65 | 64 | 63 | 62 | 61 | 60 | 59 | 58 | 57 | 56 | 55 | 54 | 53 | | | | |
| SALEABLE | 12672865 | 34566-1503 | 9 | C | BLUE | 52 | 51 | 50 | 49 | 48 | 47 | 46 | 45 | 44 | 43 | 42 | 41 | 40 | 39 | 38 | 37 | 36 | 35 | 34 | 33 | | | | |
| TOOL DES. REL. | 12615663 | 34566-1603 | 9 | D | BROWN | 73 | | | | 32 | 31 | 30 | 29 | 28 | 27 | 26 | 25 | 24 | 23 | 22 | 21 | 20 | 19 | 18 | 17 | | | | |
| TOOL DES. REL. | 12615664 | 34566-1703 | 9 | E | GREEN | 73 | | | | 16 | 15 | 14 | 13 | 12 | 11 | 10 | 9 | 8 | 7 | 6 | 5 | 4 | 3 | 2 | 1 | | | | |
| SALEABLE | 12672867 | 34566-1803 | 9 | F | NATURAL | | | | | | | | | | | | | | | | | | | | | | | | |
| SALEABLE | 12672873 | 34566-1903 | 9 | G | BLUE | | | | | | | | | | | | | | | | | | | | | | | | |
| SALEABLE | 12672871 | 34566-2003 | 9 | H | ST GRY | 80 | 79 | 78 | 77 | 76 | 75 | 74 | 73 | 72 | 71 | 70 | 69 | 68 | 67 | 66 | 65 | 64 | 63 | 62 | 61 | | | | |
| TOOL DES. REL. | 12672869 | 34566-2103 | 9 | J | BLACK | 60 | 61 | 62 | 63 | 64 | 65 | 66 | 67 | 68 | 69 | 70 | 71 | 72 | 73 | 74 | 75 | 76 | 77 | 78 | 79 | | | | |
| TOOL DES. REL. | TBD | 34566-2203 | 9 | K | BROWN | 40 | 39 | 38 | 37 | 36 | 35 | 34 | 33 | 32 | 31 | 30 | 29 | 28 | 27 | 26 | 25 | 24 | 23 | 22 | 21 | | | | |
| TOOL DES. REL. | TBD | 34566-2303 | 9 | L | GREEN | 20 | 19 | 18 | 17 | 16 | 15 | 14 | 13 | 12 | 11 | 10 | 9 | 8 | 7 | 6 | 5 | 4 | 3 | 2 | 1 | | | | |
| TOOL DES. REL. | TBD | 34566-2403 | 9 | M | NATURAL | | | | | | | | | | | | | | | | | | | | | | | | |
| SALEABLE | 12672856 | 34822-0013 | 0 | A | BLACK | 64 | 63 | 62 | 61 | 60 | 59 | 58 | 57 | 56 | 55 | 54 | 53 | 52 | 51 | 50 | 49 | 66 | | | | | | | |
| | | | | | | 48 | 47 | 46 | 45 | 44 | 43 | 42 | 41 | 40 | 39 | 38 | 37 | 36 | 35 | 34 | 33 | | | | | | | | |
| SALEABLE | 12672858 | 34822-0033 | 0 | C | BLUE | 65 | | | | 32 | 31 | 30 | 29 | 28 | 27 | 26 | 25 | 24 | 23 | 22 | 21 | 20 | 19 | 18 | 17 | | | | |
| | | | | | | 65 | | | | 16 | 15 | 14 | 13 | 12 | 11 | 10 | 9 | 8 | 7 | 6 | 5 | 4 | 3 | 2 | 1 | | | | |
| SALEABLE | 12672857 | 34822-0023 | 9 | A | BLACK | 64 | 63 | 62 | 61 | 60 | 59 | 58 | 57 | 56 | 55 | 54 | 53 | 52 | 51 | 50 | 49 | 66 | | | | | | | |
| | | | | | | 48 | 47 | 46 | 45 | 44 | 43 | 42 | 41 | 40 | 39 | 38 | 37 | 36 | 35 | 34 | 33 | | | | | | | | |
| SALEABLE | 12672859 | 34822-0043 | 9 | C | BLUE | 65 | | | | 32 | 31 | 30 | 29 | 28 | 27 | 26 | 25 | 24 | 23 | 22 | 21 | 20 | 19 | 18 | 17 | | | | |
| | | | | | | 65 | | | | 16 | 15 | 14 | 13 | 12 | 11 | 10 | 9 | 8 | 7 | 6 | 5 | 4 | 3 | 2 | 1 | | | | |

MX123 52/66/73/80-WAY RECEPTACLE ASSY SEALED PIN OUT SHEET

| STATUS | GM PART # | HRNS CONN ASSY | | | | TPA | GROMMET CAP | | | | | | | | | | | | | | | | | | | | | | | | | | | | | | | | | | | | | | | | | | | | | | | | | | | | | | | | | | | | | | | | | | | | | | |
|----------------|----------------|----------------|-------------------|-----------------------|-------------------------|--|-------------|----|----|----|----|----|----|----|----|----|----|----|----|----|----|----|----|----|----|----|----|----|---|---|---|---|---|---|---|--|----|----|----|----|----|----|----|----|----|----|----|----|--|----|----|----|----|----|----|----|----|----|----|----|----|----|---|--|----|----|----|----|----|----|----|----|----|----|----|----|--|
| | | MATERIAL/PART | WIRE DRESS OPTION | KEY OPTION ▽ Fp | COLOR OPTION ▽ Fp | NUMBERS INDICATE CAVITIES OPEN FOR CIRCUITS | | | | | | | | | | | | | | | | | | | | | | | | | | | | | | | | | | | | | | | | | | | | | | | | | | | | | | | | | | | | | | | | | | | | | | | |
| | | NUMBER | | | | ▽ Fp | | | | | | | | | | | | | | | | | | | | | | | | | | | | | | | | | | | | | | | | | | | | | | | | | | | | | | | | | | | | | | | | | | | | | | | |
| TOOL DES. REL. | 12672852 | 160094-0001 | 0 | A | BLACK | <table border="1"> <tr> <td>52</td> <td>14</td><td>13</td><td>12</td><td>11</td><td>10</td><td>9</td><td>8</td><td>7</td><td>6</td><td>5</td><td>4</td><td>3</td> <td>2</td> </tr> <tr> <td></td> <td>26</td><td>25</td><td>24</td><td>23</td><td>22</td><td>21</td><td>20</td><td>19</td><td>18</td><td>17</td><td>16</td><td>15</td> <td></td> </tr> <tr> <td>51</td> <td>38</td><td>37</td><td>36</td><td>35</td><td>34</td><td>33</td><td>32</td><td>31</td><td>30</td><td>29</td><td>28</td><td>27</td> <td>1</td> </tr> <tr> <td></td> <td>50</td><td>49</td><td>48</td><td>47</td><td>46</td><td>45</td><td>44</td><td>43</td><td>42</td><td>41</td><td>40</td><td>39</td> <td></td> </tr> </table> | | | | | | | | | | | | | | | | 52 | 14 | 13 | 12 | 11 | 10 | 9 | 8 | 7 | 6 | 5 | 4 | 3 | 2 | | 26 | 25 | 24 | 23 | 22 | 21 | 20 | 19 | 18 | 17 | 16 | 15 | | 51 | 38 | 37 | 36 | 35 | 34 | 33 | 32 | 31 | 30 | 29 | 28 | 27 | 1 | | 50 | 49 | 48 | 47 | 46 | 45 | 44 | 43 | 42 | 41 | 40 | 39 | |
| 52 | 14 | 13 | 12 | 11 | 10 | | | | | | | | | | | | | | | | | 9 | 8 | 7 | 6 | 5 | 4 | 3 | 2 | | | | | | | | | | | | | | | | | | | | | | | | | | | | | | | | | | | | | | | | | | | | | | | | |
| | 26 | 25 | 24 | 23 | 22 | | | | | | | | | | | | | | | | | 21 | 20 | 19 | 18 | 17 | 16 | 15 | | | | | | | | | | | | | | | | | | | | | | | | | | | | | | | | | | | | | | | | | | | | | | | | | |
| 51 | 38 | 37 | 36 | 35 | 34 | | | | | | | | | | | | | | | | | 33 | 32 | 31 | 30 | 29 | 28 | 27 | 1 | | | | | | | | | | | | | | | | | | | | | | | | | | | | | | | | | | | | | | | | | | | | | | | | |
| | 50 | 49 | 48 | 47 | 46 | | | | | | | | | | | | | | | | | 45 | 44 | 43 | 42 | 41 | 40 | 39 | | | | | | | | | | | | | | | | | | | | | | | | | | | | | | | | | | | | | | | | | | | | | | | | | |
| TOOL DES. REL. | N/A | 160094-0002 | 0 | B | ST GRY | | | | | | | | | | | | | | | | | | | | | | | | | | | | | | | | | | | | | | | | | | | | | | | | | | | | | | | | | | | | | | | | | | | | | | | | |
| TOOL DES. REL. | 12672854 | 160094-0003 | 0 | C | BLUE | | | | | | | | | | | | | | | | | | | | | | | | | | | | | | | | | | | | | | | | | | | | | | | | | | | | | | | | | | | | | | | | | | | | | | | | |
| TOOL DES. REL. | N/A | 160094-0004 | 0 | D | BROWN | | | | | | | | | | | | | | | | | | | | | | | | | | | | | | | | | | | | | | | | | | | | | | | | | | | | | | | | | | | | | | | | | | | | | | | | |
| TOOL DES. REL. | N/A | 160094-0005 | 0 | E | GREEN | | | | | | | | | | | | | | | | | | | | | | | | | | | | | | | | | | | | | | | | | | | | | | | | | | | | | | | | | | | | | | | | | | | | | | | | |
| TOOL DES. REL. | N/A | 160094-0006 | 0 | F | NATURAL | | | | | | | | | | | | | | | | | | | | | | | | | | | | | | | | | | | | | | | | | | | | | | | | | | | | | | | | | | | | | | | | | | | | | | | | |
| TOOL DES. REL. | 12672853 | 160094-0013 | 9 | A | BLACK | <table border="1"> <tr> <td>52</td> <td>14</td><td>13</td><td>12</td><td>11</td><td>10</td><td>9</td><td>8</td><td>7</td><td>6</td><td>5</td><td>4</td><td>3</td> <td>2</td> </tr> <tr> <td></td> <td>26</td><td>25</td><td>24</td><td>23</td><td>22</td><td>21</td><td>20</td><td>19</td><td>18</td><td>17</td><td>16</td><td>15</td> <td></td> </tr> <tr> <td>51</td> <td>38</td><td>37</td><td>36</td><td>35</td><td>34</td><td>33</td><td>32</td><td>31</td><td>30</td><td>29</td><td>28</td><td>27</td> <td>1</td> </tr> <tr> <td></td> <td>50</td><td>49</td><td>48</td><td>47</td><td>46</td><td>45</td><td>44</td><td>43</td><td>42</td><td>41</td><td>40</td><td>39</td> <td></td> </tr> </table> | | | | | | | | | | | | | | | | 52 | 14 | 13 | 12 | 11 | 10 | 9 | 8 | 7 | 6 | 5 | 4 | 3 | 2 | | 26 | 25 | 24 | 23 | 22 | 21 | 20 | 19 | 18 | 17 | 16 | 15 | | 51 | 38 | 37 | 36 | 35 | 34 | 33 | 32 | 31 | 30 | 29 | 28 | 27 | 1 | | 50 | 49 | 48 | 47 | 46 | 45 | 44 | 43 | 42 | 41 | 40 | 39 | |
| 52 | 14 | 13 | 12 | 11 | 10 | | | | | | | | | | | | | | | | | 9 | 8 | 7 | 6 | 5 | 4 | 3 | 2 | | | | | | | | | | | | | | | | | | | | | | | | | | | | | | | | | | | | | | | | | | | | | | | | |
| | 26 | 25 | 24 | 23 | 22 | | | | | | | | | | | | | | | | | 21 | 20 | 19 | 18 | 17 | 16 | 15 | | | | | | | | | | | | | | | | | | | | | | | | | | | | | | | | | | | | | | | | | | | | | | | | | |
| 51 | 38 | 37 | 36 | 35 | 34 | | | | | | | | | | | | | | | | | 33 | 32 | 31 | 30 | 29 | 28 | 27 | 1 | | | | | | | | | | | | | | | | | | | | | | | | | | | | | | | | | | | | | | | | | | | | | | | | |
| | 50 | 49 | 48 | 47 | 46 | | | | | | | | | | | | | | | | | 45 | 44 | 43 | 42 | 41 | 40 | 39 | | | | | | | | | | | | | | | | | | | | | | | | | | | | | | | | | | | | | | | | | | | | | | | | | |
| TOOL DES. REL. | N/A | 160094-0014 | 9 | B | ST GRY | | | | | | | | | | | | | | | | | | | | | | | | | | | | | | | | | | | | | | | | | | | | | | | | | | | | | | | | | | | | | | | | | | | | | | | | |
| TOOL DES. REL. | 12672855 | 160094-0015 | 9 | C | BLUE | | | | | | | | | | | | | | | | | | | | | | | | | | | | | | | | | | | | | | | | | | | | | | | | | | | | | | | | | | | | | | | | | | | | | | | | |
| TOOL DES. REL. | N/A | 160094-0016 | 9 | D | BROWN | | | | | | | | | | | | | | | | | | | | | | | | | | | | | | | | | | | | | | | | | | | | | | | | | | | | | | | | | | | | | | | | | | | | | | | | |
| TOOL DES. REL. | N/A | 160094-0017 | 9 | E | GREEN | | | | | | | | | | | | | | | | | | | | | | | | | | | | | | | | | | | | | | | | | | | | | | | | | | | | | | | | | | | | | | | | | | | | | | | | |
| TOOL DES. REL. | N/A | 160094-0018 | 9 | F | NATURAL | | | | | | | | | | | | | | | | | | | | | | | | | | | | | | | | | | | | | | | | | | | | | | | | | | | | | | | | | | | | | | | | | | | | | | | | |
| NA | NA | NA | NA | NA | NA | <table border="1"> <tr> <td colspan="16">73</td> </tr> </table> | | | | | | | | | | | | | | | | 73 | | | | | | | | | | | | | | | | | | | | | | | | | | | | | | | | | | | | | | | | | | | | | | | | | | | | | | | |
| 73 | | | | | | | | | | | | | | | | | | | | | | | | | | | | | | | | | | | | | | | | | | | | | | | | | | | | | | | | | | | | | | | | | | | | | | | | | | | | | |
| SALEABLE | NOT APPLICABLE | 34566-2503 | 0 | A | BLACK | 72 | 71 | | 69 | 68 | 67 | 66 | | 64 | 63 | 62 | | 59 | | | 56 | | | 53 | | | | | | | | | | | | | | | | | | | | | | | | | | | | | | | | | | | | | | | | | | | | | | | | | | | | | |
| | | | | | | | | 50 | | 48 | | 46 | | 44 | 43 | 42 | | 39 | | | 36 | 35 | | 33 | | | | | | | | | | | | | | | | | | | | | | | | | | | | | | | | | | | | | | | | | | | | | | | | | | | | | |
| | | | | | | 73 | | | | | | | | | | | | | | | | | | | | | | | | | | | | | | | | | | | | | | | | | | | | | | | | | | | | | | | | | | | | | | | | | | | | | | | |
| | | | | | | | | | | 32 | | 30 | 29 | | 27 | | | 23 | | | 20 | | | 17 | | | | | | | | | | | | | | | | | | | | | | | | | | | | | | | | | | | | | | | | | | | | | | | | | | | | | |
| | | | | | | | | | | | 14 | 13 | 12 | 11 | | 9 | 8 | | | 5 | 4 | 3 | 2 | 1 | | | | | | | | | | | | | | | | | | | | | | | | | | | | | | | | | | | | | | | | | | | | | | | | | | | | | |
| SALEABLE | NOT APPLICABLE | 34566-2603 | 0 | B | ST GRY | | | | 49 | 48 | 47 | | 66 | 65 | | | | 59 | | | 57 | | | 53 | | | | | | | | | | | | | | | | | | | | | | | | | | | | | | | | | | | | | | | | | | | | | | | | | | | | | |
| | | | | | | | | | | | | | 44 | | | | | 39 | | | 37 | | | 33 | | | | | | | | | | | | | | | | | | | | | | | | | | | | | | | | | | | | | | | | | | | | | | | | | | | | | |
| | | | | | | 73 | | | | | | | | | | | | | | | | | | | | | | | | | | | | | | | | | | | | | | | | | | | | | | | | | | | | | | | | | | | | | | | | | | | | | | | |
| | | | | | | | | | | | | 29 | 28 | | | | | 23 | | | 21 | | | | | | | | | | | | | | | | | | | | | | | | | | | | | | | | | | | | | | | | | | | | | | | | | | | | | | | | |
| | | | | | | | | | | | | | | | | | | 7 | | | | | | | | | | | | | | | | | | | | | | | | | | | | | | | | | | | | | | | | | | | | | | | | | | | | | | | | | | | |
| SALEABLE | NOT APPLICABLE | 34566-2703 | 0 | B | ST GRY | | | | 49 | 48 | 47 | | 65 | | | | | 59 | | | 57 | | | 53 | | | | | | | | | | | | | | | | | | | | | | | | | | | | | | | | | | | | | | | | | | | | | | | | | | | | | |
| | | | | | | | | | | | | | 44 | | | | | 39 | | | 37 | | | 33 | | | | | | | | | | | | | | | | | | | | | | | | | | | | | | | | | | | | | | | | | | | | | | | | | | | | | |
| | | | | | | 73 | | | | | | | | | | | | | | | | | | | | | | | | | | | | | | | | | | | | | | | | | | | | | | | | | | | | | | | | | | | | | | | | | | | | | | | |
| | | | | | | | | | | | | 29 | 28 | | | | | 23 | | | 21 | | | | | | | | | | | | | | | | | | | | | | | | | | | | | | | | | | | | | | | | | | | | | | | | | | | | | | | | |
| | | | | | | | | | | | | | | | | | | 7 | | | | | | | | | | | | | | | | | | | | | | | | | | | | | | | | | | | | | | | | | | | | | | | | | | | | | | | | | | | |
| SALEABLE | TBD | 34566-2803 | 0 | H | ST GRY | | | | | | | | | | | | | | | | | | | | | | | | | | | | | | | | | | | | | | | | | | | | | | | | | | | | | | | | | | | | | | | | | | | | | | | | |
| | | | | | | | | | | | | | | | | | | | | | | | | | | | | | | | | | | | | | | | | | | | | | | | | | | | | | | | | | | | | | | | | | | | | | | | | | | | | | |
| | | | | | | | | | | | | | | | | | | | | | | | | | | | | | | | | | | | | | | | | | | | | | | | | | | | | | | | | | | | | | | | | | | | | | | | | | | | | | |
| SALEABLE | NOT APPLICABLE | 34566-2903 | 0 | A | BLACK | 72 | 71 | 70 | 69 | 68 | 67 | 66 | | 64 | 63 | 62 | 61 | | 59 | | | 55 | 54 | 53 | | | | | | | | | | | | | | | | | | | | | | | | | | | | | | | | | | | | | | | | | | | | | | | | | | | | | |
| | | | | | | 52 | 51 | | 49 | 48 | | | | 44 | 43 | 42 | 41 | | 39 | | | 35 | 34 | 33 | | | | | | | | | | | | | | | | | | | | | | | | | | | | | | | | | | | | | | | | | | | | | | | | | | | | | |
| | | | | | | 73 | | | | | | | | | | | | | | | | | | | | | | | | | | | | | | | | | | | | | | | | | | | | | | | | | | | | | | | | | | | | | | | | | | | | | | | |
| | | | | | | | | | | 32 | 31 | | 29 | | 27 | | 25 | 23 | | | 19 | 18 | 17 | | | | | | | | | | | | | | | | | | | | | | | | | | | | | | | | | | | | | | | | | | | | | | | | | | | | | | |
| | | | | | | | | | | 16 | | | 13 | 12 | 11 | | 9 | 8 | 7 | 6 | 5 | 4 | 3 | 2 | 1 | | | | | | | | | | | | | | | | | | | | | | | | | | | | | | | | | | | | | | | | | | | | | | | | | | | | |
| SALEABLE | NOT APPLICABLE | 34566-3003 | 0 | A | BLACK | 72 | 71 | 70 | 69 | 68 | 67 | 66 | | 64 | 63 | 62 | | 60 | 59 | 58 | 57 | 56 | 55 | 54 | 53 | | | | | | | | | | | | | | | | | | | | | | | | | | | | | | | | | | | | | | | | | | | | | | | | | | | | |
| | | | | | | 52 | 51 | 50 | 49 | 48 | 47 | 46 | | 44 | 43 | 42 | 41 | 40 | 39 | 38 | 37 | 36 | 35 | 34 | 33 | | | | | | | | | | | | | | | | | | | | | | | | | | | | | | | | | | | | | | | | | | | | | | | | | | | | |
| | | | | | | 73 | | | | | | | | | | | | | | | | | | | | | | | | | | | | | | | | | | | | | | | | | | | | | | | | | | | | | | | | | | | | | | | | | | | | | | | |
| | | | | | | | | | | 32 | 31 | 30 | 29 | 28 | 27 | | 25 | 24 | 23 | 22 | 21 | 20 | 19 | 18 | 17 | | | | | | | | | | | | | | | | | | | | | | | | | | | | | | | | | | | | | | | | | | | | | | | | | | | | |
| | | | | | | | | | | 16 | 15 | 14 | 13 | 12 | 11 | | 9 | 8 | 7 | 6 | 5 | 4 | 3 | 2 | 1 | | | | | | | | | | | | | | | | | | | | | | | | | | | | | | | | | | | | | | | | | | | | | | | | | | | | |
| SALEABLE | NOT APPLICABLE | 34566-3103 | 0 | B | ST GRY | | | | 49 | 48 | | 46 | | | | 62 | | 59 | | 57 | | 55 | | 53 | | | | | | | | | | | | | | | | | | | | | | | | | | | | | | | | | | | | | | | | | | | | | | | | | | | | | |
| | | | | | | | | | | | | | | | 42 | | 39 | | 37 | | 35 | | 33 | | | | | | | | | | | | | | | | | | | | | | | | | | | | | | | | | | | | | | | | | | | | | | | | | | | | | | |
| | | | | | | 73 | | | | | | | | | | | | | | | | | | | | | | | | | | | | | | | | | | | | | | | | | | | | | | | | | | | | | | | | | | | | | | | | | | | | | | | |
| | | | | | | | | | | | | 29 | | | 26 | | 23 | | 21 | | | 18 | | | | | | | | | | | | | | | | | | | | | | | | | | | | | | | | | | | | | | | | | | | | | | | | | | | | | | | |
| | | | | | | | | | | 15 | | | | | | 9 | 8 | 7 | | | 4 | 3 | | | | | | | | | | | | | | | | | | | | | | | | | | | | | | | | | | | | | | | | | | | | | | | | | | | | | | | |
| SALEABLE | NOT APPLICABLE | 34566-3203 | 0 | B | ST GRY | | | 50 | 49 | 48 | | 46 | | | | | 60 | 59 | 58 | 57 | 56 | 55 | | 53 | | | | | | | | | | | | | | | | | | | | | | | | | | | | | | | | | | | | | | | | | | | | | | | | | | | | | |
| | | | | | | | | | | | | | | | | | | 39 | 38 | 37 | | 35 | 34 | 33 | | | | | | | | | | | | | | | | | | | | | | | | | | | | | | | | | | | | | | | | | | | | | | | | | | | | | |
| | | | | | | 73 | | | | | | | | | | | | | | | | | | | | | | | | | | | | | | | | | | | | | | | | | | | | | | | | | | | | | | | | | | | | | | | | | | | | | | | |
| | | | | | | | | | | 16 | 15 | 14 | | 29 | | | | 23 | 22 | 21 | | | 18 | | | | | | | | | | | | | | | | | | | | | | | | | | | | | | | | | | | | | | | | | | | | | | | | | | | | | | |
| | | | | | | | | | | | | | | | | | | 7 | 6 | 5 | 4 | 3 | | | | | | | | | | | | | | | | | | | | | | | | | | | | | | | | | | | | | | | | | | | | | | | | | | | | | | | |
| SALEABLE | NOT APPLICABLE | 34566-3303 | 0 | B | ST GRY | | | 50 | 49 | 48 | | 46 | | | | | | 59 | 58 | 57 | 56 | 55 | | 53 | | | | | | | | | | | | | | | | | | | | | | | | | | | | | | | | | | | | | | | | | | | | | | | | | | | | | |
| | | | | | | | | | | | | | | | | | | 39 | 38 | 37 | | 35 | 34 | 33 | | | | | | | | | | | | | | | | | | | | | | | | | | | | | | | | | | | | | | | | | | | | | | | | | | | | | |
| | | | | | | 73 | | | | | | | | | | | | | | | | | | | | | | | | | | | | | | | | | | | | | | | | | | | | | | | | | | | | | | | | | | | | | | | | | | | | | | | |
| | | | | | | | | | | | | 29 | | | | | | 23 | 22 | 21 | | | 18 | | | | | | | | | | | | | | | | | | | | | | | | | | | | | | | | | | | | | | | | | | | | | | | | | | | | | | |
| | | | | | | | | | | | | | | | | | | 7 | 6 | 5 | 4 | 3 | | | | | | | | | | | | | | | | | | | | | | | | | | | | | | | | | | | | | | | | | | | | | | | | | | | | | | | |
| SALEABLE | NOT APPLICABLE | 34566-3403 | | | | SEE 34566-3003 | | | | | | | | | | | | | | | | | | | | | | | | | | | | | | | | | | | | | | | | | | | | | | | | | | | | | | | | | | | | | | | | | | | | | | | |
| SALEABLE | NOT APPLICABLE | 34566-3503 | 0 | A | BLACK | 72 | 71 | | 69 | 68 | 67 | 66 | | 64 | 63 | 62 | | 60 | 59 | | | | | | | | | | | | | | | | | | | | | | | | | | | | | | | | | | | | | | | | | | | | | | | | | | | | | | | | | | |
| | | | | | | 52 | | | 49 | 48 | | 46 | | 44 | 43 | 42 | | 40 | 39 | | | | 35 | 33 | | | | | | | | | | | | | | | | | | | | | | | | | | | | | | | | | | | | | | | | | | | | | | | | | | | | | |
| | | | | | | 73 | | | | | | | | | | | | | | | | | | | | | | | | | | | | | | | | | | | | | | | | | | | | | | | | | | | | | | | | | | | | | | | | | | | | | | | |
| | | | | | | | | | | 32 | | | 29 | | 27 | | | 24 | 23 | | | | | 17 | | | | | | | | | | | | | | | | | | | | | | | | | | | | | | | | | | | | | | | | | | | | | | | | | | | | | |
| | | | | | | | | | | | | 14 | 13 | 12 | 11 | | 9 | 8 | 7 | 6 | 5 | 4 | 3 | 2 | 1 | | | | | | | | | | | | | | | | | | | | | | | | | | | | | | | | | | | | | | | | | | | | | | | | | | | | |

MX123 52/66/73/80-WAY RECEPTACLE ASSY SEALED PIN OUT SHEET

| STATUS | GM PART # | HRNS CONN ASSY | | | TPA | GROMMET CAP | | | | | | | | | | | | | | | | | | | | | | | | |
|----------|----------------|----------------|-------------------|------------------|--------------------|---|----|----|----|----|----|----|----|----|----|----|----|----|----|----|----|----|----|----|----|----|----|----|----|----|
| | | MATERIAL/PART | WIRE DRESS OPTION | KEY OPTION Fp | COLOR OPTION Fp | NUMBERS INDICATE CAVITIES OPEN FOR CIRCUITS | | | | | | | | | | | | | | | | | | | | | | | | |
| | | NUMBER | | | | Fp | | | | | | | | | | | | | | | | | | | | | | | | |
| SALEABLE | NOT APPLICABLE | 34566-8103 | 0 | H | ST GRY | | | 78 | | | | | | | 72 | 71 | 70 | 69 | 68 | | 66 | 65 | 64 | 63 | | 61 | | | | |
| | | | | | | 60 | 59 | 58 | 57 | 56 | | | 53 | 52 | | 50 | | | | | | | | | | 44 | 43 | | 41 | |
| | | | | | | 40 | | | 37 | | 35 | 34 | 33 | 32 | | 30 | 29 | | | | | | 27 | 26 | | | 24 | | 22 | 21 |
| | | | | | | 20 | 19 | 18 | 17 | 16 | | | | 13 | 12 | | | | | | | | 8 | | 6 | 5 | | 3 | 2 | |
| SALEABLE | NOT APPLICABLE | 34566-8203 | 0 | A | BLACK | | | 70 | | | 67 | 66 | | | | | | | | 58 | | 56 | 55 | 54 | | | | | | |
| | | | | | | | | | | 47 | | | 44 | 43 | 42 | 41 | | 39 | | | | | 37 | 36 | | 34 | | | | |
| | | | | | | 73 | | | | | 31 | 30 | | | 27 | | 25 | 24 | | | | | | 21 | 20 | 19 | 18 | | | |
| | | | | | | | | | | | | | 13 | | | | | | | | | | 6 | 5 | 4 | 3 | | | 1 | |
| SALEABLE | NOT APPLICABLE | 34566-8303 | 0 | A | BLACK | 72 | 71 | | 69 | 68 | 67 | 66 | | 64 | 63 | 62 | | | | 59 | 58 | 57 | 56 | | 54 | 53 | | | | |
| | | | | | | 52 | 51 | 50 | 49 | 48 | 47 | 46 | | 44 | 43 | 42 | | | | | 39 | 38 | 37 | 36 | 35 | 34 | 33 | | | |
| | | | | | | 73 | | | | | 32 | 31 | 30 | 29 | | 27 | | | 24 | 23 | 22 | 21 | 20 | 19 | | | 17 | | | |
| | | | | | | | | | | | 15 | 14 | 13 | 12 | 11 | | | 9 | 8 | 7 | 6 | 5 | 4 | 3 | 2 | 1 | | | | |
| SALEABLE | NOT APPLICABLE | 34566-8403 | 0 | B | ST GRY | | | | | | | | 65 | 64 | | | | | | 59 | | 57 | | 55 | 53 | | | | | |
| | | | | | | | | 50 | 49 | 48 | | 46 | | | | | | | | 39 | | 37 | | 35 | | 33 | | | | |
| | | | | | | 73 | | | | | 32 | | | 29 | | | | | 24 | 23 | | 21 | | | | | | | | |
| | | | | | | | | | | | | | 15 | | | | | | | | 7 | 6 | 5 | 4 | 3 | | | | | |
| SALEABLE | NOT APPLICABLE | 34566-8503 | 0 | B | ST GRY | 72 | 71 | 70 | 69 | 68 | 67 | 66 | 65 | 64 | 63 | 62 | | | 60 | 59 | | | | 55 | 54 | 53 | | | | |
| | | | | | | 52 | | | 49 | 48 | | | | 44 | 43 | 42 | | | | | 39 | | | | 35 | 34 | 33 | | | |
| | | | | | | 73 | | | | | 32 | | | 29 | | 27 | | | 24 | 23 | | | | 19 | 18 | 17 | | | | |
| | | | | | | | | | | | | | 13 | 12 | 11 | | | 9 | 8 | 7 | 6 | 5 | 4 | 3 | 2 | 1 | | | | |
| SALEABLE | NOT APPLICABLE | 34566-8603 | 0 | A | BLACK | | | | 69 | 68 | | 66 | | | | | | | 59 | | 57 | | 55 | 53 | | | | | | |
| | | | | | | | | 49 | 48 | | 46 | | 44 | | | | | | 39 | 38 | 37 | | 35 | | 33 | | | | | |
| | | | | | | 73 | | | | | | | 29 | 28 | | | | | 23 | | 21 | | | | 18 | 17 | | | | |
| | | | | | | | | | | | | | | 12 | 11 | 10 | | | | 7 | | | | | | | | | | |
| SALEABLE | NOT APPLICABLE | 34566-8703 | 0 | B | ST GRY | | | | 69 | 68 | | 66 | | | | | | | 59 | | 57 | | 55 | 53 | | | | | | |
| | | | | | | | | 50 | 49 | 48 | 47 | | 44 | | | | | | 39 | | 37 | | 35 | | 33 | | | | | |
| | | | | | | 73 | | | | | | | 29 | 28 | | | | | 23 | | 21 | | | | 17 | | | | | |
| | | | | | | | | | | | | | 15 | | | 12 | 11 | 10 | | | 7 | 6 | 5 | 4 | 3 | | | | | |
| SALEABLE | NOT APPLICABLE | 34566-8803 | 0 | B | ST GRY | | | | | 68 | 67 | 66 | 65 | | | | | | 59 | 58 | 57 | | | 54 | 53 | | | | | |
| | | | | | | | 51 | 50 | 49 | 48 | | 46 | 45 | | 43 | 42 | | 40 | 39 | 38 | 37 | | | | | 33 | | | | |
| | | | | | | 73 | | | | | 32 | 31 | 30 | | | 26 | | 24 | 23 | 22 | | 20 | | | | | | | | |
| | | | | | | | | | | | 16 | | | 13 | | 10 | 9 | 8 | 7 | 6 | 5 | 4 | | | | | | | | |
| SALEABLE | NOT APPLICABLE | 34566-8903 | 0 | H | ST GRY | | | 78 | | | | | | | 71 | 70 | 69 | 68 | 67 | 66 | 65 | 64 | 63 | | 61 | | | | | |
| | | | | | | | | 58 | 57 | 56 | | | 53 | 52 | | 51 | 50 | | | | | | | | 44 | 43 | | 41 | | |
| | | | | | | 40 | | | 37 | | 35 | 34 | 33 | 32 | | 30 | 29 | | | | | 27 | 26 | | | | | 22 | 21 | |
| | | | | | | 20 | 19 | 18 | 17 | 16 | | 14 | | 12 | | 10 | 9 | 8 | 7 | 6 | 5 | | | | | 3 | 2 | 1 | | |
| SALEABLE | NOT APPLICABLE | 34566-9003 | 0 | B | ST GRY | | | | 69 | 68 | | 66 | | | | | | | | 59 | | 57 | | 55 | 53 | | | | | |
| | | | | | | | | 49 | 48 | | 46 | | 44 | | | | | | 39 | | 37 | | 35 | | 33 | | | | | |
| | | | | | | 73 | | | | | | | 29 | 28 | | | | | 23 | | 21 | | | | 18 | | | | | |
| | | | | | | | | | | | | | | | 11 | 10 | | | | 7 | | | | | | | | | | |
| SALEABLE | NOT APPLICABLE | 34566-9103 | 0 | A | BLACK | | | | | 68 | | | 65 | | 63 | | 61 | | 59 | 58 | | 56 | | | 53 | | | | | |
| | | | | | | 52 | 51 | 50 | | | 47 | | | | | | 41 | | | 38 | 37 | 36 | 35 | 34 | 33 | | | | | |
| | | | | | | 73 | | | | | 32 | 31 | 30 | 29 | 28 | 27 | | 25 | 24 | 23 | 22 | 21 | 20 | 19 | 18 | 17 | | | | |
| | | | | | | | | | | | 16 | 15 | 14 | 13 | 12 | 11 | 10 | 9 | | | | | | | | | | | | |
| SALEABLE | NOT APPLICABLE | 34566-9203 | 0 | A | BLACK | 72 | 71 | 70 | 69 | 68 | 67 | 66 | | 64 | 63 | 62 | | | 60 | 59 | | | | 55 | 54 | 53 | | | | |
| | | | | | | 52 | | | 49 | 48 | | | | 44 | 43 | 42 | | | 40 | 39 | 38 | | | | 35 | 34 | 33 | | | |
| | | | | | | 73 | | | | | | | 30 | 29 | 28 | 27 | | | 24 | 23 | | | | 19 | 18 | 17 | | | | |
| | | | | | | | | | | | 16 | | | 13 | 12 | 11 | | 9 | 8 | 7 | 6 | 5 | 4 | 3 | 2 | 1 | | | | |
| SALEABLE | NOT APPLICABLE | 34566-9303 | 0 | A | BLACK | 72 | 71 | | 69 | 68 | 67 | 66 | | 64 | 63 | 62 | | | | 59 | 58 | 57 | 56 | 55 | 54 | 53 | | | | |
| | | | | | | 52 | 51 | 50 | 49 | 48 | 47 | 46 | | 44 | 43 | 42 | | | | 39 | 38 | 37 | 36 | 35 | 34 | 33 | | | | |
| | | | | | | 73 | | | | | 32 | 31 | 30 | 29 | | 27 | | | 24 | 23 | 22 | 21 | 20 | 19 | | | 17 | | | |
| | | | | | | | | | | | 15 | 14 | 13 | 12 | 11 | | | 9 | 8 | 7 | 6 | 5 | 4 | 3 | 2 | 1 | | | | |
| SALEABLE | NOT APPLICABLE | 34566-9403 | 0 | B | ST GRY | | | | | 68 | 67 | 66 | 65 | | | 43 | 42 | 41 | 40 | 39 | 38 | 37 | | 35 | | 33 | | | | |
| | | | | | | | 51 | 50 | 49 | 48 | | 46 | 45 | | | | | | | | | | | | | | | | | |
| | | | | | | 73 | | | | | 32 | 31 | 30 | | | | | 26 | | 24 | 23 | 22 | | 20 | | | | | | |
| | | | | | | | | | | | 16 | | | 13 | | | 10 | 9 | 8 | 7 | 6 | 5 | 4 | | | | | | | |
| SALEABLE | NOT APPLICABLE | 34566-9503 | 0 | A | BLACK | 72 | 71 | 70 | 69 | 68 | | | 65 | 64 | 63 | | | 61 | | 59 | 58 | 57 | 56 | | | | | | | |
| | | | | | | 52 | 51 | | 49 | | 47 | | | | | | | 41 | | | 38 | 37 | 36 | | 34 | 33 | | | | |
| | | | | | | 73 | | | | | 32 | 31 | 30 | 29 | 28 | 27 | | | 24 | 23 | | | | 20 | 19 | 18 | 17 | | | |
| | | | | | | | | | | | 16 | | | 13 | 12 | 11 | 10 | 9 | | | | | | | | | | | | |

MX123 52/66/73/80-WAY RECEPTACLE ASSY SEALED PIN OUT SHEET

| STATUS | GM PART # | HRNS CONN ASSY | | | TPA | GROMMET CAP | | | | | | | | | | | | | | | | | | | | |
|----------|----------------|----------------|-------------------|------------------|--------------------|---|----|----|----|----|----|----|----|----|----|----|----|----|----|----|----|----|----|----|----|----|
| | | MATERIAL/PART | WIRE DRESS OPTION | KEY OPTION Fp | COLOR OPTION Fp | NUMBERS INDICATE CAVITIES OPEN FOR CIRCUITS | | | | | | | | | | | | | | | | | | | | |
| | | NUMBER | | | | Fp | | | | | | | | | | | | | | | | | | | | |
| SALEABLE | NOT APPLICABLE | 34566-9603 | 0 | A | BLACK | 52 | 71 | 70 | 69 | 68 | 47 | 66 | 65 | 64 | 63 | 61 | 59 | 58 | 57 | 56 | 35 | 34 | 33 | | | |
| | | | | | | 73 | | | 32 | 31 | 30 | 29 | 28 | 27 | 24 | 23 | 20 | 19 | 18 | 17 | | | | | | |
| | | | | | | 73 | | | 16 | 15 | 14 | 13 | 12 | 11 | 10 | 9 | | | | | | | | | 1 | |
| SALEABLE | NOT APPLICABLE | 34566-9703 | 0 | A | BLACK | 72 | 71 | 70 | 69 | 68 | 47 | 65 | 64 | 63 | 61 | 59 | 57 | 56 | | | | | | | | |
| | | | | | | 52 | 51 | 50 | 49 | | | | | | 41 | | | 38 | 37 | 36 | | | 34 | 33 | | |
| | | | | | | 73 | | | 32 | 31 | 30 | 29 | 28 | 27 | 24 | 23 | 20 | 19 | 18 | | | | | | | |
| SALEABLE | NOT APPLICABLE | 34566-9803 | 0 | A | BLACK | 72 | 71 | 70 | 69 | 68 | 47 | 65 | 64 | 63 | 61 | 59 | 57 | 56 | | | | | | | | |
| | | | | | | 52 | 51 | 50 | 49 | | | | | | 41 | | | 38 | 37 | 36 | | | 34 | 33 | | |
| | | | | | | 73 | | | 32 | 31 | 30 | 29 | 28 | 27 | 24 | 23 | 20 | 19 | 18 | | | | | | | |
| SALEABLE | NOT APPLICABLE | 34566-9903 | 0 | A | BLACK | 71 | | | 69 | 68 | 47 | 65 | 64 | 63 | 61 | 59 | 58 | 57 | 56 | | | | | | | |
| | | | | | | 52 | | 50 | 49 | | | | | | 41 | | | 38 | 37 | 36 | | | 34 | 33 | | |
| | | | | | | 73 | | | 32 | 31 | 30 | 29 | 28 | 27 | 24 | 23 | 20 | 19 | 18 | 17 | | | | | 1 | |
| SALEABLE | NOT APPLICABLE | 34566-1013 | 0 | A | BLACK | 71 | | | 69 | 68 | 47 | 65 | 64 | 63 | 61 | 59 | 58 | 57 | 56 | | | | | | | |
| | | | | | | 52 | | 50 | 49 | | | | | | 41 | | | 38 | 37 | 36 | | | 34 | 33 | | |
| | | | | | | 73 | | | 32 | 31 | 30 | 29 | 28 | 27 | 24 | 23 | 20 | 19 | 18 | 17 | | | | | | |
| SALEABLE | NOT APPLICABLE | 34566-1023 | 0 | A | BLACK | 70 | | | | 67 | 66 | 65 | | | | | 58 | 57 | | 55 | 54 | | | | | |
| | | | | | | | | 50 | 49 | | | | 44 | 43 | 42 | 41 | | 39 | | 37 | | 35 | | | | |
| | | | | | | 73 | | | 32 | | 30 | | | 27 | | 25 | 24 | | | 21 | 20 | 19 | 18 | 17 | | |
| SALEABLE | NOT APPLICABLE | 34566-1033 | 0 | A | BLACK | 70 | | | | 67 | 66 | 65 | | | | | 58 | 57 | | 55 | 54 | | | | | |
| | | | | | | | | 50 | 49 | | | | 44 | 43 | 42 | 41 | | 39 | | 37 | | 35 | | | | |
| | | | | | | 73 | | | 32 | | 30 | | | 27 | | 26 | 25 | 24 | | 21 | 20 | 19 | 18 | 17 | | |
| SALEABLE | NOT APPLICABLE | 34566-1043 | 0 | B | ST GRAY | 71 | 70 | | | 68 | 66 | 65 | | | | | 59 | 58 | 57 | | | 54 | 53 | | | |
| | | | | | | | 51 | 50 | 49 | 48 | | 46 | 45 | | 43 | | 41 | 40 | 39 | 38 | 37 | 36 | 35 | | 33 | |
| | | | | | | 73 | | | 32 | 31 | 30 | | | | | 24 | 23 | 22 | | 20 | | | | | | |
| SALEABLE | NOT APPLICABLE | 34566-1053 | 0 | H | ST GRAY | 79 | 78 | 77 | 76 | 75 | 74 | 73 | 72 | 71 | 70 | 69 | 68 | | 66 | 65 | 64 | 63 | | 61 | | |
| | | | | | | 60 | 59 | 58 | 57 | 56 | | | 53 | 52 | | 50 | | | | | | 44 | 43 | | 41 | |
| | | | | | | 40 | 39 | 38 | 37 | | 35 | 34 | 33 | 32 | | 30 | 29 | | 27 | 26 | | | | | 22 | 21 |
| SALEABLE | NOT APPLICABLE | 34566-1063 | 0 | B | ST GRAY | | | | | | | 65 | | | | 60 | 59 | | 57 | 56 | 55 | 53 | | | | |
| | | | | | | | | | 49 | 48 | 47 | | | 44 | | | 40 | 39 | | 37 | 36 | 35 | | | 33 | |
| | | | | | | 73 | | | | | | 29 | 28 | | | | 24 | 23 | | 21 | | | | | | 2 |
| SALEABLE | NOT APPLICABLE | 34566-1073 | 0 | A | BLACK | 72 | 71 | 70 | 69 | 68 | 67 | 66 | 65 | 64 | 63 | | 61 | 59 | 58 | 57 | 56 | | 54 | | | |
| | | | | | | | | 50 | 49 | 48 | 47 | | | | | 42 | 41 | | | 38 | 37 | 36 | | | 34 | 33 |
| | | | | | | 73 | | | 32 | 31 | 30 | 29 | 28 | 27 | 26 | | 24 | 23 | | | 20 | 19 | 18 | | | |
| SALEABLE | NOT APPLICABLE | 34566-1083 | 0 | B | ST GRAY | | | | | 68 | 67 | 66 | 65 | 64 | | | | 59 | 58 | 57 | | 55 | 54 | 53 | | |
| | | | | | | | | 51 | 50 | 49 | 48 | | 46 | 45 | | 43 | 42 | 41 | 40 | 39 | 38 | 37 | | 35 | | 33 |
| | | | | | | 73 | | | 32 | 31 | 30 | | | | 26 | | 24 | 23 | 22 | | 20 | | | | | |
| SALEABLE | NOT APPLICABLE | 34566-1093 | 0 | A | BLACK | | | 70 | | 68 | 67 | 66 | | | | | | 58 | | 56 | 55 | 54 | | | | |
| | | | | | | | | | 49 | | 47 | | | 44 | 43 | 42 | 41 | | 39 | | 37 | 36 | | | 34 | |
| | | | | | | 73 | | | | 31 | 30 | | | 27 | | 25 | 24 | | | 21 | 20 | 19 | 18 | | | |
| SALEABLE | NOT APPLICABLE | 34566-1123 | 0 | H | ST GRAY | | | 78 | | | | | 72 | 71 | 70 | 69 | 68 | 67 | 66 | 65 | 64 | 63 | | 61 | | |
| | | | | | | | | 58 | 57 | 56 | | | 53 | 52 | 51 | 50 | | | | | | 44 | 43 | | 41 | |
| | | | | | | 40 | | | 37 | | 35 | 34 | 33 | 32 | | 30 | 29 | | 27 | 26 | | | | | 22 | 21 |
| SALEABLE | NOT APPLICABLE | 34566-1133 | 0 | A | BLACK | | | 70 | | 68 | 67 | 66 | | | | 61 | | 58 | 57 | | 55 | 54 | | | | |
| | | | | | | | | | 49 | | 47 | | 45 | 44 | 43 | 42 | 41 | | 39 | | 37 | | | 34 | | |
| | | | | | | 73 | | | 32 | | 30 | | | 27 | | 25 | 24 | | | 21 | 20 | 19 | 18 | | | |

MX123 52/66/73/80-WAY RECEPTACLE ASSY SEALED PIN OUT SHEET

| STATUS | GM PART # | HRNS CONN ASSY | | | TPA | GROMMET CAP | | | | | | | | | | | | | | | | | | | | | | |
|----------|----------------|----------------|-------------------|------------------|--------------------|--|----|----|----|----|----|----|----|----|----|----|----|----|----|----|----|----|----|----|----|----|----|----|
| | | MATERIAL/PART | WIRE DRESS OPTION | KEY OPTION Fp | COLOR OPTION Fp | NUMBERS INDICATE CAVITIES OPEN FOR CIRCUITS | | | | | | | | | | | | | | | | | | | | | | |
| | | NUMBER | | | | Fp | | | | | | | | | | | | | | | | | | | | | | |
| SALEABLE | NOT APPLICABLE | 34566-1143 | 0 | A | BLACK | 52 | | 50 | | 68 | | | 65 | | 63 | | 61 | | 59 | 58 | | 56 | | | 53 | | | |
| | | | | | | | | | | 47 | | | | | | | | | | | | | | | | | | |
| | | | | | | 73 | | | 32 | 31 | 30 | 29 | 28 | 27 | | 25 | 24 | 23 | 22 | 21 | 20 | 19 | 18 | 17 | | | | 1 |
| SALEABLE | NOT APPLICABLE | 34566-1153 | 0 | A | BLACK | | | 70 | | | | 67 | 66 | 65 | | | | | | 58 | 57 | | 55 | | | | | |
| | | | | | | | | | 49 | | | | | 44 | 43 | 42 | 41 | | 39 | | 37 | | | | | | | |
| | | | | | | 73 | | | 32 | | 30 | | | | 27 | | 25 | 24 | 23 | | 21 | 20 | 19 | 18 | | | | 1 |
| SALEABLE | NOT APPLICABLE | 34566-1163 | 0 | H | ST GRAY | | | 78 | | | | | | 72 | 71 | 70 | 69 | 68 | | 66 | 65 | 64 | 63 | | 61 | | | |
| | | | | | | 60 | 59 | 58 | 57 | 56 | | | 53 | 52 | | 50 | | | | | | | | 44 | 43 | | 41 | |
| | | | | | | 40 | | | 37 | | 35 | 34 | | 32 | | 30 | 29 | | 27 | 26 | | | | | | | 22 | 21 |
| SALEABLE | NOT APPLICABLE | 34566-1173 | 0 | A | BLACK | 20 | 19 | 18 | 17 | 16 | | | 13 | 12 | | | | 8 | | 6 | 5 | | 3 | 2 | | | | |
| | | | | | | 72 | 71 | | 69 | 68 | | | 65 | 64 | 63 | 62 | 61 | 60 | 59 | 58 | | 56 | | 54 | | | | |
| | | | | | | 52 | | 50 | 49 | 48 | 47 | | 45 | | | 42 | 41 | | 38 | 37 | 36 | | 34 | 33 | | | | |
| SALEABLE | NOT APPLICABLE | 34566-1183 | 0 | B | ST GRAY | 73 | | | 32 | 31 | 30 | 29 | 28 | 27 | 26 | | 24 | 23 | | 20 | 19 | 18 | 17 | | | | | |
| | | | | | | | | | | | | | | | | | | | | | | | | | | | | |
| | | | | | | | | | | | | | | | | | | | | | | | | | | | | |
| SALEABLE | NOT APPLICABLE | 34566-1193 | 0 | A | BLACK | | | | | | | 66 | 65 | 64 | | 62 | | | 59 | | 57 | | 55 | | 53 | | | |
| | | | | | | | | | 49 | 48 | 47 | | | 44 | | 42 | | | 39 | | 37 | | 35 | | | | 33 | |
| | | | | | | 73 | | | | | | | 29 | 28 | | | | | 23 | | 21 | | | | | | | 17 |
| SALEABLE | NOT APPLICABLE | 34566-1213 | 0 | A | BLACK | 72 | 71 | | 69 | 68 | 67 | 66 | | 64 | 63 | 62 | | 60 | 59 | | | | | | 54 | 53 | | |
| | | | | | | 52 | | | 49 | 48 | | 46 | | 44 | 43 | 42 | | | 39 | | | | | | | | 34 | 33 |
| | | | | | | 73 | | | 32 | | | 29 | | | 27 | | | | 23 | | | | | | | | | |
| SALEABLE | NOT APPLICABLE | 34566-1223 | 0 | B | ST GRAY | 72 | 71 | | 69 | 68 | 67 | 66 | | 64 | 63 | 62 | | 59 | | | | | | | 54 | 53 | | |
| | | | | | | 52 | | | 49 | 48 | | 46 | | 44 | 43 | 42 | | | 39 | | | | | | | | 34 | 33 |
| | | | | | | 73 | | | 32 | | | 29 | | | 27 | | | | 23 | | | | | | | | | |
| SALEABLE | NOT APPLICABLE | 34566-1233 | 0 | B | ST GRAY | | | | | | | | | | | | | | | | | | | | | | | |
| | | | | | | | | | | | | | | | | | | | | | | | | | | | | |
| | | | | | | 73 | | | | | | | | | | | | | | | | | | | | | | |
| SALEABLE | NOT APPLICABLE | 34566-1243 | 0 | B | ST GRAY | | | | | | | | | | | | | | | | | | | | | | | |
| | | | | | | | | | | | | | | | | | | | | | | | | | | | | |
| | | | | | | 73 | | | | | | | | | | | | | | | | | | | | | | |
| SALEABLE | NOT APPLICABLE | 34566-1253 | 9 | B | ST GRAY | | | | | | | | | | | | | | | | | | | | | | | |
| | | | | | | | | | | | | | | | | | | | | | | | | | | | | |
| | | | | | | 73 | | | | | | | | | | | | | | | | | | | | | | |
| SALEABLE | NOT APPLICABLE | 34566-1263 | 9 | A | BLACK | NUMBERS IN BOLD MUST USE SAE WIRE MEETING SAE J1128, WIRE SIZE (NO.20) OR (NO.18 MAX. O.D. OF 2.06 MM) PER G.M. DRAWING NUMBER 12582682. | | | | | | | | | | | | | | | | | | | | | | |
| | | | | | | 72 | 71 | | 69 | 68 | 67 | 66 | | 64 | 63 | 62 | | 59 | | | | 56 | | | | | 53 | |
| | | | | | | | | 50 | | 48 | | 46 | | 44 | 43 | 42 | | | 39 | | | | 36 | 35 | | | | |
| SALEABLE | NOT APPLICABLE | 34566-1273 | 0 | A | BLACK | 73 | | | 32 | | 30 | 29 | | 27 | | 24 | 23 | | 20 | | | | | 17 | | | | |
| | | | | | | | | | | | | | | | | | | | | | | | | | | | | |
| | | | | | | | | | | | | | | | | | | | | | | | | | | | | |
| SALEABLE | NOT APPLICABLE | 34566-1283 | 0 | A | BLACK | | | 70 | 69 | 68 | | | 65 | 64 | 63 | | 61 | | 59 | 58 | 57 | 56 | | | 54 | | | |
| | | | | | | 52 | | 50 | 49 | 48 | 47 | | | | | | 41 | | | 38 | 37 | 36 | | | 34 | 33 | | |
| | | | | | | 73 | | | 32 | 31 | 30 | 29 | 28 | 27 | | | 24 | 23 | | | | | | | | | | |

MX123 52/66/73/80-WAY RECEPTACLE ASSY SEALED PIN OUT SHEET

| STATUS | GM PART # | HRNS CONN ASSY | | | TPA | GROMMET CAP | | | | | | | | | | | | | | | | | | | | | | | |
|----------|----------------|----------------|-------------------|------------------|--------------------|---|----|----|----|----|----|----|----|----|----|----|----|----|----|----|----|----|----|----|----|----|----|----|----|
| | | MATERIAL/PART | WIRE DRESS OPTION | KEY OPTION Fp | COLOR OPTION Fp | NUMBERS INDICATE CAVITIES OPEN FOR CIRCUITS | | | | | | | | | | | | | | | | | | | | | | | |
| | | NUMBER | | | | Fp | | | | | | | | | | | | | | | | | | | | | | | |
| SALEABLE | NOT APPLICABLE | 34566-1293 | 0 | A | BLACK | 52 | | 50 | | 68 | | | 65 | | 63 | | 61 | | 59 | 58 | | 56 | | | 34 | 33 | | | |
| | | | | | | 73 | | | | 32 | 31 | 30 | 29 | 28 | 27 | | | 24 | 23 | | | | | 20 | 19 | 18 | 17 | | |
| | | | | | | 73 | | | | 16 | | | | 13 | 12 | 11 | 10 | 9 | | | | | | | | | | | |
| SALEABLE | NOT APPLICABLE | 34566-1313 | 0 | H | ST GRAY | 80 | | 78 | | | | | | 72 | 71 | 70 | 69 | 68 | | | 66 | 65 | 64 | 63 | | 61 | | | |
| | | | | | | | | 58 | 57 | 56 | 55 | 54 | 53 | | | | | | | | | | 46 | | 44 | 43 | 42 | | |
| | | | | | | 40 | | | 37 | | 35 | | | | 32 | | | 30 | 29 | | | | 27 | 26 | | | | | 21 |
| SALEABLE | NOT APPLICABLE | 34566-1323 | 0 | A | BLACK | 72 | 71 | 70 | 69 | 68 | 67 | 66 | 65 | 64 | 63 | 62 | | 60 | 59 | 58 | 57 | 56 | 55 | 54 | 53 | | | | |
| | | | | | | 52 | 51 | 50 | 49 | 48 | 47 | 46 | 45 | 44 | 43 | 42 | 41 | 40 | 39 | 38 | 37 | 36 | 35 | 34 | 33 | | | | |
| | | | | | | 73 | | | | 32 | 31 | 30 | 29 | 28 | 27 | | | 25 | 24 | 23 | 22 | 21 | 20 | 19 | 18 | 17 | | | |
| SALEABLE | NOT APPLICABLE | 34566-1333 | 0 | A | BLACK | | | 70 | 69 | 68 | | | 65 | 64 | | | | | 59 | 58 | | 56 | | | | | | | |
| | | | | | | 52 | | 50 | 49 | | 47 | | | | | | 41 | | | | | 38 | 37 | 36 | | | 34 | | |
| | | | | | | 73 | | | | 32 | 31 | 30 | 29 | 28 | 27 | | | | | 23 | | | | | 20 | 19 | 18 | 17 | |
| SALEABLE | NOT APPLICABLE | 34566-1343 | 0 | A | BLACK | | | | 69 | | | | 65 | 64 | 63 | | | | | 59 | 58 | 57 | 56 | | | | | | |
| | | | | | | | | 50 | 49 | 48 | 47 | | | | | | | 41 | | | | | 38 | 37 | 36 | | | 34 | |
| | | | | | | 73 | | | | 32 | 31 | 30 | 29 | 28 | 27 | | | | | 23 | | | | | 20 | 19 | 18 | 17 | |
| SALEABLE | NOT APPLICABLE | 34566-1353 | 0 | H | ST GRAY | | 79 | 78 | 77 | 76 | 75 | 74 | 73 | 72 | 71 | 70 | 69 | 68 | | | 66 | 65 | 64 | 63 | | 61 | | | |
| | | | | | | 60 | 59 | 58 | 57 | 56 | | | 53 | | | | 50 | | | | | | | | 44 | 43 | | 41 | |
| | | | | | | 40 | 39 | 38 | 37 | | 35 | 34 | | | 32 | | | 30 | 29 | | | | 27 | 26 | | | | | 21 |
| SALEABLE | NOT APPLICABLE | 34566-1363 | 0 | A | BLACK | 72 | 71 | | 69 | 68 | 67 | 66 | | 64 | 63 | 62 | | | | 59 | | | | | | | 53 | | |
| | | | | | | | | | | 48 | | 46 | | 44 | 43 | 42 | | | | | 39 | | | | | | | 33 | |
| | | | | | | 73 | | | | 32 | | | 29 | | 27 | | | | 24 | 23 | | | | | | | | | 17 |
| SALEABLE | NOT APPLICABLE | 34566-1373 | 0 | B | ST GRAY | | | | | | | | 66 | 65 | | | 62 | | | 59 | | 57 | | 55 | | 53 | | | |
| | | | | | | | | | | 48 | | 46 | | | | 42 | | | | 39 | | | | 37 | | 35 | | 33 | |
| | | | | | | 73 | | | | | | | 29 | | | 26 | | | | 23 | | | | 21 | | | | | 17 |
| SALEABLE | NOT APPLICABLE | 34566-1383 | 0 | B | ST GRAY | | | | | | | | | | | | | | 59 | 58 | 57 | | 55 | | 53 | | | | |
| | | | | | | | | 49 | 48 | 47 | 46 | | | | | | | | | | 39 | 38 | 37 | | 35 | | 33 | | |
| | | | | | | 73 | | | | | | | 29 | | | | | | | 23 | 22 | 21 | | | | | | | 17 |
| SALEABLE | NOT APPLICABLE | 34566-1393 | 0 | A | BLACK | | | 70 | | | 67 | 66 | | | | | 61 | | | 58 | 57 | | 55 | 54 | | | | | |
| | | | | | | | | | | 47 | | 45 | 44 | 43 | 42 | 41 | | | 39 | | | | 37 | | | | 34 | | |
| | | | | | | 73 | | | | 32 | | 30 | | | 27 | | | 25 | 24 | | | | 21 | 20 | 19 | 18 | | | |
| SALEABLE | NOT APPLICABLE | 34566-1423 | 0 | B | ST GRAY | | | | | 68 | 67 | 66 | 65 | | | | 61 | 60 | 59 | 58 | 57 | | | 54 | 53 | | | | |
| | | | | | | | 51 | 50 | 49 | 48 | 47 | 46 | 45 | | 43 | 42 | 41 | 40 | 39 | 38 | 37 | | | 35 | 34 | 33 | | | |
| | | | | | | 73 | | | | 32 | 31 | 30 | | | | 26 | | 24 | 23 | 22 | 21 | 20 | | | | | | | |
| SALEABLE | NOT APPLICABLE | 34566-1433 | 0 | B | ST GRAY | | | | | | | | | | | | | | 59 | | 57 | | 55 | | 53 | | | | |
| | | | | | | | | | 49 | 48 | | 46 | | | | | | | | | 39 | | | 37 | | 35 | | 33 | |
| | | | | | | 73 | | | | 32 | | | 29 | | | | | | | 23 | | | | 21 | | | 18 | 17 | |
| SALEABLE | NOT APPLICABLE | 34566-1443 | 0 | B | ST GRAY | | | | 69 | 68 | | 66 | | | | | | | | 59 | | 57 | | 55 | | 53 | | | |
| | | | | | | | | | 49 | 48 | | 46 | | | | | | | | | | 39 | | | 37 | | 35 | | 33 |
| | | | | | | 73 | | | | | | | 29 | | | | | | | 23 | | | | 21 | | | | | 17 |
| SALEABLE | NOT APPLICABLE | 34566-1453 | 0 | B | ST GRAY | | | | | | | | | | | | | | | | 59 | | 57 | | 55 | | 53 | | |
| | | | | | | | | | 49 | 48 | 47 | | | 44 | | 42 | | | | 39 | | | | 37 | | 35 | | 33 | |
| | | | | | | 73 | | | | | | | 29 | 28 | | 26 | | | | 23 | | | | 21 | | | | | 17 |
| SALEABLE | NOT APPLICABLE | 34566-1463 | 0 | A | BLACK | | | | 69 | 68 | | | 65 | 64 | 63 | 62 | 61 | 60 | 59 | 58 | | 56 | | | 34 | 33 | | | |
| | | | | | | 52 | | 50 | 49 | 48 | 47 | | 45 | | | | | 41 | | | | 38 | 37 | 36 | | | | | |
| | | | | | | 73 | | | | 32 | 31 | 30 | 29 | 28 | 27 | | | | 24 | 23 | | | | | 20 | 19 | 18 | 17 | |

MX123 52/66/73/80-WAY RECEPTACLE ASSY SEALED PIN OUT SHEET

| STATUS | GM PART # | HRNS CONN ASSY | | | TPA | GROMMET CAP | | | | | | | | | | | | | | | | | | | | |
|----------------------|----------------|----------------|-------------------|------------------|--------------------|---|----|----|----|----|----|----|----|----|----|----|----|----|----|----|----|----|----|----|----|----|
| | | MATERIAL/PART | WIRE DRESS OPTION | KEY OPTION Fp | COLOR OPTION Fp | NUMBERS INDICATE CAVITIES OPEN FOR CIRCUITS | | | | | | | | | | | | | | | | | | | | |
| | | NUMBER | | | | Fp | | | | | | | | | | | | | | | | | | | | |
| SALEABLE | NOT APPLICABLE | 34566-1473 | 0 | A | BLACK | 72 | 71 | | 69 | 68 | 67 | 66 | | 64 | 63 | 62 | | 59 | | | | | 54 | 53 | | |
| | | | | | | 52 | | | 49 | 48 | | 46 | | 44 | 43 | 42 | | 39 | | | | | | 34 | 33 | |
| | | | | | | 73 | | | | 32 | | | 29 | | 27 | | | 24 | 23 | | | | | | | |
| SALEABLE | NOT APPLICABLE | 34566-1483 | 0 | A | BLACK | 72 | 71 | | 69 | 68 | | | 65 | 64 | 63 | | 61 | | 59 | 58 | | 56 | | | | |
| | | | | | | 52 | | 50 | 49 | | 47 | | | | | 41 | | | 38 | 37 | 36 | | | 34 | 33 | |
| | | | | | | 73 | | | | 32 | 31 | 30 | 29 | 28 | 27 | | | 24 | 23 | | | | | 20 | 19 | 18 |
| SALEABLE | NOT APPLICABLE | 34566-1493 | 0 | B | ST GRAY | | | | 68 | | | | | | | | 59 | 58 | 57 | | 55 | | 53 | | | |
| | | | | | | | | | 49 | 48 | | 46 | | | | | | 39 | 38 | 37 | | 35 | | | 33 | |
| | | | | | | 73 | | | | | | | 29 | | | | | 23 | 22 | 21 | | | | | 18 | 17 |
| SALEABLE | NOT APPLICABLE | 34566-1513 | 0 | B | ST GRAY | | | | 68 | | | | 65 | | | | 59 | | 57 | | 55 | | 53 | | | |
| | | | | | | | | | 49 | 48 | | 46 | | | | | 39 | | 37 | | 35 | | | 33 | | |
| | | | | | | 73 | | | | | | | 29 | | | | | 23 | | 21 | | | | | | 17 |
| SALEABLE | NOT APPLICABLE | 34566-1523 | 0 | A | BLACK | | | 70 | 69 | 68 | | | 65 | 64 | | | 59 | 58 | | 56 | | 54 | | | | |
| | | | | | | 52 | | 50 | 49 | | 47 | | | | 42 | 41 | | 38 | 37 | 36 | | | 34 | | | |
| | | | | | | 73 | | | | 32 | 31 | 30 | 29 | 28 | 27 | 26 | | | 23 | | | | 20 | 19 | 18 | 17 |
| SALEABLE | NOT APPLICABLE | 34566-1533 | 0 | A | BLACK | | | 70 | 69 | 68 | | | 65 | 64 | | | 59 | 58 | | 56 | | 54 | | | | |
| | | | | | | 52 | 51 | 50 | 49 | | 47 | | | | 42 | 41 | | 38 | 37 | 36 | | | 34 | | | |
| | | | | | | 73 | | | | 32 | 31 | 30 | 29 | 28 | 27 | | | 23 | | | | | | | | 1 |
| SALEABLE | NOT APPLICABLE | 34566-1543 | 0 | B | ST GRAY | | | | 69 | 68 | | 66 | | | | | 59 | | 57 | | 55 | | 53 | | | |
| | | | | | | | | | 49 | 48 | | 46 | | | | | 39 | | 37 | | 35 | | | 33 | | |
| | | | | | | 73 | | | | | | | 29 | | | | | 23 | | 21 | | | | | | |
| SALEABLE | 12582677 | 34566-1553 | 0 | A | BLACK | | | | | | | | | | | | | | | | | | | | | |
| | | | | | | 73 | | | | | | | | | | | | | | | | | | | | |
| | | | | | | | | | | | | | | | | | | | | | | | | | | |
| TOOL DESIGN SALEABLE | NOT APPLICABLE | 34566-1563 | 9 | A | BLACK | | | | | | | | | | | | | | | | | | | | | |
| | | | | | | 73 | | | | | | | | | | | | | | | | | | | | |
| | | | | | | | | | | | | | | | | | | | | | | | | | | |
| TOOL DESIGN SALEABLE | NOT APPLICABLE | 34566-1573 | 9 | H | ST GRAY | | | | | | | | | | | | | | | | | | | | | |
| | | | | | | 73 | | | | | | | | | | | | | | | | | | | | |
| | | | | | | | | | | | | | | | | | | | | | | | | | | |
| SALEABLE | NOT APPLICABLE | 34566-1583 | 0 | A | BLACK | | | 70 | | | 67 | 66 | 65 | | | 61 | | 58 | 57 | | 55 | 54 | | | | |
| | | | | | | | | | 49 | | 47 | | 45 | 44 | 43 | 42 | 41 | | 39 | | 37 | | | 34 | | |
| | | | | | | 73 | | | | 32 | | 30 | | | 27 | | 25 | 24 | | | 21 | 20 | 19 | 18 | 17 | |
| SALEABLE | NOT APPLICABLE | 34566-1593 | 0 | B | ST GRAY | | | | 67 | | 65 | | | | 61 | 60 | 59 | 58 | 57 | | 54 | 53 | | | | |
| | | | | | | | 51 | 50 | 49 | 48 | 47 | 46 | 45 | | 43 | 42 | | 40 | 39 | | 37 | | | 34 | 33 | |
| | | | | | | 73 | | | | 32 | 31 | 30 | | | | 26 | | 24 | 23 | 22 | 21 | 20 | | | | |
| SALEABLE | NOT APPLICABLE | 34566-1613 | 0 | H | ST GRAY | | 79 | 78 | 77 | 76 | 75 | 74 | 73 | 72 | 71 | 70 | 69 | 68 | | 66 | 65 | 64 | 63 | 61 | | |
| | | | | | | 60 | 59 | 58 | 57 | 56 | | | 53 | | | 50 | | | | | | | 44 | 43 | | 41 |
| | | | | | | 40 | 39 | 38 | 37 | | 35 | 34 | 33 | 32 | | 30 | 29 | | 27 | 26 | | | 24 | 23 | 22 | 21 |
| SALEABLE | NOT APPLICABLE | 34566-1623 | 0 | B | ST GRAY | | | | | | 66 | 65 | | | 62 | | 59 | | 57 | | 55 | | 53 | | | |
| | | | | | | | | | | 48 | 47 | | | | 42 | | 39 | | 37 | | 35 | | | 33 | | |
| | | | | | | 73 | | | | | | | 29 | | | 26 | | 23 | | 21 | | | | | | 17 |
| SALEABLE | NOT APPLICABLE | 34566-1633 | 0 | B | ST GRAY | | | | 69 | 68 | | 66 | | | | | 59 | | 57 | | 55 | | 53 | | | |
| | | | | | | | | 50 | | 48 | 47 | | | | | | 39 | | 37 | | 35 | | | 33 | | |
| | | | | | | 73 | | | | | | | 29 | | | 12 | 11 | 10 | | | 7 | 6 | 5 | 4 | 3 | |

MX123 52/66/73/80-WAY RECEPTACLE ASSY SEALED PIN OUT SHEET

| STATUS | GM PART # | HRNS CONN ASSY | | | TPA | GROMMET CAP | | | | | | | | | | | | | | | | | | | | | | | |
|----------|----------------|----------------|-------------------|------------------|--------------------|---|----|----|----|----|----|----|----|----|----|----|----|----|----|----|----|----|----|----|----|----|----|----|----|
| | | MATERIAL/PART | WIRE DRESS OPTION | KEY OPTION Fp | COLOR OPTION Fp | NUMBERS INDICATE CAVITIES OPEN FOR CIRCUITS | | | | | | | | | | | | | | | | | | | | | | | |
| | | NUMBER | | | | Fp | | | | | | | | | | | | | | | | | | | | | | | |
| SALEABLE | NOT APPLICABLE | 34566-1643 | 0 | B | ST GRAY | | | | 69 | 68 | | 66 | | | | | | | | 59 | | 57 | | 55 | | 53 | | | |
| | | | | | | | | 50 | | 48 | | 46 | | | | | | | | | | 39 | | 37 | | 35 | | 33 | |
| | | | | | | 73 | | | | | | | | 29 | | | | | | | | | 23 | | 21 | | | | 17 |
| SALEABLE | NOT APPLICABLE | 34566-1653 | 0 | B | ST GRAY | | | | | | | 66 | | | | | | | | 59 | | 57 | | 55 | | 53 | | | |
| | | | | | | | | 50 | | 48 | | 46 | | | | | | | | | | 39 | | 37 | | 35 | | 33 | |
| | | | | | | 73 | | | | | | | | 29 | | | | | | | | | 23 | | 21 | | | | 17 |
| SALEABLE | NOT APPLICABLE | 34566-1663 | 0 | B | ST GRAY | | | | | | | 66 | | | | | | | | 59 | | 57 | | 55 | | 53 | | | |
| | | | | | | | | 50 | | 48 | | 46 | | | | | | | | | | 39 | | 37 | | 35 | | 33 | |
| | | | | | | 73 | | | | | | | | 29 | | | | | | | | | 23 | | 21 | | | | 17 |
| SALEABLE | NOT APPLICABLE | 34566-1673 | 0 | A | BLACK | 72 | 71 | 70 | 69 | 68 | 67 | 66 | 65 | 64 | 63 | 62 | | 60 | 59 | | | | | | 55 | 54 | 53 | | |
| | | | | | | 52 | | | 49 | 48 | | | 45 | 44 | 43 | 42 | 41 | 40 | 39 | | | | | | | | 35 | 34 | 33 |
| | | | | | | 73 | | | | | | | | 32 | | | 29 | | | 27 | | | 25 | 24 | 23 | | | | 19 |
| SALEABLE | NOT APPLICABLE | 34566-1683 | 0 | B | ST GRAY | | | | | | | 67 | 66 | | | 63 | | | | 59 | 58 | 57 | 56 | 55 | | 53 | | | |
| | | | | | | | | 50 | 49 | 48 | | | | | | | | | | | | 39 | 38 | 37 | 36 | 35 | | 33 | |
| | | | | | | 73 | | | | | | | | 29 | | | | | | | | | 23 | 22 | 21 | | | | 17 |
| SALEABLE | NOT APPLICABLE | 34566-1693 | 0 | B | ST GRAY | | | | | | | 66 | | 64 | | | | | | 59 | | 57 | | 55 | | 53 | | | |
| | | | | | | | | 49 | 48 | | 46 | | | | | | | | | | | 39 | | 37 | | 35 | | 33 | |
| | | | | | | 73 | | | | | | | | 32 | | | 29 | | | | | | 23 | | 21 | | | | 17 |
| SALEABLE | NOT APPLICABLE | 34566-1713 | 0 | B | ST GRAY | | 71 | 70 | | 68 | | 66 | 65 | 64 | 63 | | 60 | 59 | 58 | 57 | 56 | 55 | 54 | 53 | | | | | |
| | | | | | | | 51 | 50 | 49 | 48 | | 46 | 45 | | 43 | | 41 | 40 | 39 | 38 | 37 | 36 | 35 | | | | | 33 | |
| | | | | | | 73 | | | | | | | | 32 | 31 | 30 | | | | 24 | 23 | 22 | | 20 | 19 | | | | |
| SALEABLE | NOT APPLICABLE | 34566-1723 | 0 | B | ST GRAY | | 71 | 70 | | 68 | | 66 | 65 | | | | 60 | 59 | 58 | 57 | | | 54 | 53 | | | | | |
| | | | | | | | 51 | 50 | 49 | 48 | | 46 | 45 | | 43 | | 41 | 40 | 39 | 38 | 37 | 36 | 35 | | | | | 33 | |
| | | | | | | 73 | | | | | | | | 32 | 31 | 30 | | | | 24 | 23 | 22 | | 20 | | | | | |
| SALEABLE | NOT APPLICABLE | 34566-1733 | 0 | A | BLACK | | | 70 | | 68 | 67 | 66 | 65 | | | | | 58 | 57 | | | 55 | | | | | | | |
| | | | | | | | | 49 | | 47 | | | 44 | 43 | 42 | 41 | | 39 | | | | | | 35 | | | | | |
| | | | | | | 73 | | | | | | | | 32 | | 30 | | | 27 | | 25 | 24 | | 21 | 20 | 19 | 18 | 17 | |
| SALEABLE | NOT APPLICABLE | 34566-1743 | 0 | A | BLACK | | | 70 | | 67 | 66 | 65 | | | | | 58 | 57 | | | 55 | | | | | | | | |
| | | | | | | | | 49 | | 47 | | | 44 | 43 | 42 | 41 | | 39 | | | | | | 35 | | | | | |
| | | | | | | 73 | | | | | | | | 32 | | 30 | | | 27 | | 25 | 24 | | 21 | 20 | 19 | 18 | 17 | |
| SALEABLE | NOT APPLICABLE | 34566-1753 | 0 | A | BLACK | | | 70 | | 67 | 66 | 65 | | | | | 58 | 57 | | | 55 | | | | | | | | |
| | | | | | | | | 49 | | 47 | | | 44 | 43 | 42 | 41 | | 39 | | | | | | 35 | | | | | |
| | | | | | | 73 | | | | | | | | 32 | | | | 27 | | 25 | 24 | | 21 | 20 | 19 | 18 | 17 | | |
| SALEABLE | NOT APPLICABLE | 34566-1763 | 0 | B | ST GRAY | | | | | 67 | | 65 | | | | 61 | 60 | 59 | 58 | 57 | | | 54 | 53 | | | | | |
| | | | | | | | 51 | 50 | 49 | 48 | 47 | 46 | 45 | | 43 | | | 40 | 39 | | | | | 37 | | | | 34 | 33 |
| | | | | | | 73 | | | | | | | | 32 | 31 | 30 | | | | 26 | | 24 | 23 | 22 | 21 | 20 | | | |
| SALEABLE | NOT APPLICABLE | 34566-1773 | 0 | C | BLUE | 72 | | 70 | | | | 67 | 66 | | | 63 | 62 | | | 59 | | 57 | | | | 53 | | | |
| | | | | | | 52 | 51 | | | | | 46 | | 44 | | 42 | | 40 | 39 | | | | | | | | 34 | 33 | |
| | | | | | | 73 | | | | | | | | 30 | | | | 27 | 26 | 25 | | | 22 | 21 | 20 | | | | |
| SALEABLE | NOT APPLICABLE | 34566-1783 | 0 | C | BLUE | | | | | 67 | 66 | | | | 63 | 62 | | | 59 | | 57 | | | | 53 | | | | |
| | | | | | | 52 | 51 | 70 | | | | 46 | | 44 | | 42 | | 40 | 39 | | | | | | | | 34 | 33 | |
| | | | | | | 73 | | | | | | | | 30 | | | | 26 | 25 | | | 22 | 21 | 20 | | | | | |
| SALEABLE | NOT APPLICABLE | 34566-1793 | 0 | A | BLACK | | | | 69 | | | | | | 63 | 62 | 61 | | | 58 | 57 | 56 | 55 | 54 | 53 | | | | |
| | | | | | | 52 | 51 | | 49 | | | | 44 | 43 | 42 | 41 | | | | | | | 37 | 36 | 35 | 34 | 33 | | |
| | | | | | | 73 | | | | | | | | 32 | | | 29 | 28 | 27 | 26 | | | | | | | | 19 | 18 |

MX123 52/66/73/80-WAY RECEPTACLE ASSY SEALED PIN OUT SHEET

| STATUS | GM PART # | HRNS CONN ASSY | | | TPA | GROMMET CAP | | | | | | | | | | | | | | | | | | | | |
|----------|----------------|----------------|-------------------|------------------|--------------------|---|----|----|----|----|----|----|----|----|----|----|----|----|----|----|----|----|----|----|----|----|
| | | MATERIAL/PART | WIRE DRESS OPTION | KEY OPTION Fp | COLOR OPTION Fp | NUMBERS INDICATE CAVITIES OPEN FOR CIRCUITS | | | | | | | | | | | | | | | | | | | | |
| | | NUMBER | | | | Fp | | | | | | | | | | | | | | | | | | | | |
| SALEABLE | NOT APPLICABLE | 34566-1813 | 0 | B | ST GRAY | 72 | 71 | 70 | | 68 | 67 | 66 | | | | 62 | 61 | 60 | 59 | 58 | 57 | 56 | 55 | 54 | 53 | |
| | | | | | | 52 | 51 | 50 | | 48 | 47 | 46 | | | | 42 | 41 | 40 | 39 | 38 | 37 | 36 | 35 | 34 | 33 | |
| | | | | | | 73 | | | | 32 | 31 | 30 | 29 | 28 | 27 | 26 | 25 | 24 | 23 | | | | | | | |
| SALEABLE | NOT APPLICABLE | 34566-1823 | 0 | A | BLACK | 72 | 71 | 70 | 69 | 68 | | 66 | 65 | 64 | | | 61 | | 59 | 58 | | 56 | | 54 | 53 | |
| | | | | | | 52 | | 50 | 49 | | 47 | | | | | 42 | 41 | | | 38 | 37 | 36 | | 34 | 33 | |
| | | | | | | 73 | | | | 32 | 31 | 30 | 29 | 28 | 27 | 26 | | 24 | 23 | 22 | 21 | 20 | 19 | 18 | 17 | |
| SALEABLE | NOT APPLICABLE | 34566-1833 | 0 | A | BLACK | | | | | 68 | | 65 | | 63 | | 61 | | 59 | 58 | | 56 | | | | | |
| | | | | | | 52 | | 50 | | | 47 | | | | | 41 | | | 38 | 37 | 36 | | 34 | 33 | | |
| | | | | | | 73 | | | | 32 | 31 | 30 | 29 | 28 | 27 | | 25 | 24 | 23 | | 20 | 19 | 18 | 17 | | |
| SALEABLE | NOT APPLICABLE | 34566-1843 | 0 | A | BLACK | | | | | 68 | | 65 | | 63 | | 61 | | 59 | 58 | | 56 | | | | | |
| | | | | | | 52 | | 50 | | | 47 | | | | | 41 | | | 38 | 37 | 36 | | 34 | 33 | | |
| | | | | | | 73 | | | | 32 | 31 | 30 | 29 | 28 | 27 | | 25 | 24 | 23 | | 20 | 19 | 18 | 17 | | |
| SALEABLE | NOT APPLICABLE | 34566-1853 | 0 | A | BLACK | | | 70 | 69 | 68 | 67 | | 65 | | 63 | | 61 | 60 | | | 57 | 56 | 55 | 54 | 53 | |
| | | | | | | 52 | | 50 | 49 | 48 | 47 | | | 44 | 43 | | 41 | 40 | | | 37 | 36 | 35 | 34 | 33 | |
| | | | | | | 73 | | | | | | 30 | 29 | 28 | | | 25 | 24 | | 21 | 20 | 19 | 18 | 17 | | |
| SALEABLE | NOT APPLICABLE | 34566-1863 | 0 | B | ST GRAY | | | | | 68 | 67 | | 65 | 64 | 63 | | | | | | | | | | | |
| | | | | | | | | | | | 46 | 45 | | 43 | | | | | | | | | | | | |
| | | | | | | 73 | | | | 32 | | 30 | 29 | 28 | 27 | | | | | | | | | | | |
| SALEABLE | NOT APPLICABLE | 34566-1873 | 0 | C | BLUE | 72 | | 70 | | | 67 | 66 | | | 63 | 62 | | | 59 | | 57 | | | | 53 | |
| | | | | | | 52 | 51 | | | | | 46 | | 44 | | 42 | | 40 | 39 | | | | | | 34 | 33 |
| | | | | | | 73 | | | | 32 | | 30 | | | 27 | 26 | 25 | | 22 | 21 | 20 | | | | | |
| SALEABLE | NOT APPLICABLE | 34566-1883 | 0 | A | BLACK | | | 70 | | 68 | 67 | 66 | 65 | | | | | | 58 | 57 | | 55 | | | | |
| | | | | | | | | | 49 | | 47 | | | 44 | 43 | 42 | 41 | 40 | 39 | | 37 | | 35 | | | |
| | | | | | | 73 | | | | 32 | | 30 | | | 27 | | 25 | 24 | | 21 | 20 | 19 | 18 | 17 | | |
| SALEABLE | NOT APPLICABLE | 34566-1893 | 0 | C | BLUE | | | 70 | | | | 66 | | | 63 | | | 59 | | 57 | | | | | 53 | |
| | | | | | | 52 | 51 | | | | 46 | | 44 | | 42 | | 40 | 39 | | | | | | | 34 | 33 |
| | | | | | | 73 | | | | 32 | | 30 | | | 27 | 26 | 25 | | 22 | 21 | 20 | | | | | |
| SALEABLE | NOT APPLICABLE | 34566-1913 | 0 | B | ST GRAY | | | 70 | | 68 | | 66 | | | | | 60 | 59 | | | | 55 | 54 | 53 | | |
| | | | | | | 52 | | 50 | | 48 | | 46 | | | | | 40 | 39 | | | | | 35 | 34 | 33 | |
| | | | | | | 73 | | | | 32 | 31 | 30 | 29 | 28 | 27 | 26 | 25 | 24 | | | | | | | | |
| SALEABLE | NOT APPLICABLE | 34566-1923 | 0 | A | BLACK | | | | 69 | | | | | | 63 | | | | 58 | | 56 | 55 | 54 | 53 | | |
| | | | | | | 52 | 51 | | 49 | | | | | 44 | 43 | 42 | 41 | | | | | 36 | 35 | 34 | 33 | |
| | | | | | | 73 | | | | 32 | | | | 28 | | 26 | | | | | | | 19 | 18 | | |
| SALEABLE | NOT APPLICABLE | 34566-1933 | 0 | A | BLACK | | | 70 | | | 67 | 66 | 65 | | | | | | 58 | 57 | | 55 | | | | |
| | | | | | | | | | 49 | | 47 | | | 44 | 43 | 42 | 41 | 40 | 39 | | 37 | | 35 | | | |
| | | | | | | 73 | | | | 32 | | 30 | | | 27 | | 25 | 24 | | 21 | 20 | 19 | 18 | 17 | | |
| SALEABLE | NOT APPLICABLE | 34566-1943 | 0 | A | BLACK | | | 70 | | | 67 | 66 | 65 | | | | | | 58 | 57 | | 55 | | | | |
| | | | | | | | 51 | | 49 | | 47 | | | 44 | 43 | 42 | 41 | 40 | 39 | | 37 | | 35 | | | |
| | | | | | | 73 | | | | 32 | | 30 | | | 27 | | 25 | 24 | | 21 | 20 | 19 | 18 | 17 | | |
| SALEABLE | NOT APPLICABLE | 34566-1953 | 0 | C | BLUE | | | 70 | | | | 66 | | | 63 | | | 59 | | 57 | | | | | 53 | |
| | | | | | | 52 | 51 | | | 48 | 47 | 46 | | 44 | | 42 | | 40 | 39 | | | | | | 34 | 33 |
| | | | | | | 73 | | | | | | 30 | | | | 26 | 25 | | 22 | 21 | 20 | | | | | |
| SALEABLE | NOT APPLICABLE | 34566-1963 | 0 | C | BLUE | | | 70 | | | | 66 | | | 63 | | | 59 | | 57 | | | | | 53 | |
| | | | | | | 52 | 51 | | | | 46 | | 44 | | 42 | | 40 | 39 | | | | | | | 34 | 33 |
| | | | | | | 73 | | | | | | 30 | | | | 26 | 25 | | 22 | 21 | 20 | | | | | |

MX123 52/66/73/80-WAY RECEPTACLE ASSY SEALED PIN OUT SHEET

| STATUS | GM PART # | HRNS CONN ASSY | | | TPA | GROMMET CAP | | | | | | | | | | | | | | | | | | | | | | |
|----------|----------------|----------------|-------------------|------------------|--------------------|---|----|----|----|----|----|----|----|----|----|----|----|----|----|----|----|----|----|----|----|----|----|----|
| | | MATERIAL/PART | WIRE DRESS OPTION | KEY OPTION Fp | COLOR OPTION Fp | NUMBERS INDICATE CAVITIES OPEN FOR CIRCUITS | | | | | | | | | | | | | | | | | | | | | | |
| | | NUMBER | | | | Fp | | | | | | | | | | | | | | | | | | | | | | |
| SALEABLE | NOT APPLICABLE | 34566-1973 | 0 | A | BLACK | 52 | 51 | | 69 | | | | | | | | | | | | | | 56 | 55 | 54 | 53 | | |
| | | | | | | | | | 49 | | | | | | 44 | 63 | 42 | 41 | | | | | | | 36 | 35 | 34 | 33 |
| | | | | | | 73 | | | | 32 | | | | 28 | | 26 | | | 23 | | | | | 21 | | | 19 | 18 |
| SALEABLE | NOT APPLICABLE | 34566-1983 | 0 | B | ST GRY | | | | | | | | | | | | | | | | | | | | | | | |
| | | | | | | 73 | | | | | | | | | | | | | | | | | | | | | | |
| | | | | | | | | | | | | | | | | | | | | | | | | | | | | |
| SALEABLE | NOT APPLICABLE | 34566-1993 | 0 | C | BLUE | | | | | | | | | | | | | | | | | | | | | | | |
| | | | | | | 73 | | | | | | | | | | | | | | | | | | | | | | |
| | | | | | | | | | | | | | | | | | | | | | | | | | | | | |
| SALEABLE | NOT APPLICABLE | 34566-2013 | 0 | A | BLACK | | 71 | 70 | | | | | 65 | | | | | 60 | 59 | 58 | 57 | | | | 54 | 53 | | |
| | | | | | | | 51 | 50 | 49 | 48 | | 46 | 45 | | 43 | | 41 | 40 | 39 | | 37 | 36 | 35 | | | | | 33 |
| | | | | | | 73 | | | | 32 | 31 | 30 | | | | | | 24 | 23 | 22 | | 20 | | | | | | |
| SALEABLE | NOT APPLICABLE | 34566-2023 | 0 | A | BLACK | | | 70 | | 68 | 67 | 66 | 65 | | | | | | | 58 | 57 | | | | 55 | | | |
| | | | | | | | | | 49 | | 47 | | | 44 | 43 | 42 | 41 | | 39 | | 37 | | 35 | | | | | |
| | | | | | | 73 | | | | 32 | | 30 | | | | 27 | | 25 | 24 | | | 21 | 20 | 19 | 18 | 17 | | |
| SALEABLE | NOT APPLICABLE | 34566-2033 | 0 | A | BLACK | | 71 | 70 | | | | | 65 | 64 | | | | 60 | 59 | 58 | 57 | | | | 54 | 53 | | |
| | | | | | | | 51 | 50 | 49 | 48 | | 46 | 45 | | 43 | | 41 | 40 | 39 | | 37 | 36 | 35 | | | | | 33 |
| | | | | | | 73 | | | | 32 | 31 | 30 | | | | | | 24 | 23 | 22 | | 20 | | | | | | |
| SALEABLE | NOT APPLICABLE | 34566-2043 | 0 | A | BLACK | | | 70 | | | 67 | 66 | 65 | | | | | | 58 | 57 | | | | 55 | | | | |
| | | | | | | | | | 49 | | 47 | | | 44 | 43 | 42 | 41 | | 39 | | 37 | | 35 | | | | | |
| | | | | | | 73 | | | | 32 | | 30 | | | | 27 | | 25 | 24 | | | 21 | 20 | 19 | 18 | 17 | | |
| SALEABLE | NOT APPLICABLE | 34566-2053 | 0 | B | ST GRY | | | 70 | | 68 | 67 | 66 | 65 | | | | | | 58 | 57 | | | | 55 | | | | |
| | | | | | | | | | 49 | | 47 | | | 44 | 43 | 42 | 41 | | 39 | | 37 | | 35 | | | | | |
| | | | | | | 73 | | | | 32 | | 30 | | | | 27 | | 25 | 24 | 23 | | 21 | 20 | 19 | 18 | | | |
| SALEABLE | NOT APPLICABLE | 34566-2063 | 0 | H | ST GRY | | | 78 | | | | | | 72 | 71 | 70 | 69 | 68 | | 66 | 65 | 64 | 63 | | 61 | | | |
| | | | | | | | | 58 | 57 | 56 | | | 53 | 52 | | 50 | | | | | | 44 | 43 | | | | 41 | |
| | | | | | | 40 | | | 37 | | 35 | 34 | | | 32 | | 30 | 29 | | 27 | 26 | | | | | | 22 | 21 |
| SALEABLE | NOT APPLICABLE | 34566-2073 | 0 | H | ST GRY | | | 78 | | | | | | 72 | 71 | 70 | 69 | 68 | | 66 | 65 | 64 | 63 | | 61 | | | |
| | | | | | | | | 58 | 57 | 56 | | | 53 | 52 | | 50 | | | | | | 44 | 43 | | | | 41 | |
| | | | | | | 40 | | | 37 | | 35 | 34 | | | 32 | | 30 | 29 | | 27 | 26 | | | | | | 22 | 21 |
| SALEABLE | NOT APPLICABLE | 34566-2083 | 0 | H | ST GRY | | | 78 | | | | | | 72 | 71 | 70 | 69 | 68 | 67 | 66 | 65 | 64 | 63 | | 61 | | | |
| | | | | | | | | 58 | 57 | 56 | | | 53 | 52 | 51 | 50 | | | | | | 44 | 43 | | | | 41 | |
| | | | | | | 40 | | | 37 | | 35 | 34 | | | 32 | | 30 | 29 | | 27 | 26 | | | | | | 22 | 21 |
| SALEABLE | NOT APPLICABLE | 34566-2093 | 0 | A | BLACK | | | | | 68 | | | 65 | | 63 | | 61 | | 59 | 58 | | | 56 | | | | | |
| | | | | | | 52 | | 50 | | | 47 | | | | | 41 | | | 38 | 37 | 36 | | | 34 | 33 | | | |
| | | | | | | 73 | | | | 32 | 31 | 30 | 29 | 28 | 27 | | 25 | 24 | 23 | | | 20 | 19 | 18 | 17 | | | |
| SALEABLE | NOT APPLICABLE | 34566-2113 | 0 | H | ST GRY | | 79 | 78 | 77 | 76 | 75 | 74 | 73 | 72 | 71 | 70 | 69 | 68 | | 66 | 65 | 64 | 63 | | 61 | | | |
| | | | | | | | 60 | 59 | 58 | 57 | 56 | 55 | | 53 | 52 | | 50 | | | | | 44 | 43 | 42 | 41 | | | |
| | | | | | | 40 | 39 | 38 | 37 | | 35 | 34 | 33 | 32 | | 30 | 29 | | 27 | 26 | | | | | | | 22 | 21 |
| SALEABLE | NOT APPLICABLE | 34566-2123 | 0 | H | ST GRY | | 79 | 78 | 77 | 76 | 75 | 74 | 73 | 72 | 71 | 70 | 69 | 68 | | 66 | 65 | 64 | 63 | | 61 | | | |
| | | | | | | | 60 | 59 | 58 | 57 | 56 | 55 | | 53 | 52 | | 50 | | | | | 44 | 43 | 42 | 41 | | | |
| | | | | | | 40 | 39 | 38 | 37 | | 35 | 34 | 33 | 32 | | 30 | 29 | | 27 | 26 | | | | | | | 22 | 21 |
| SALEABLE | NOT APPLICABLE | 34566-2133 | 0 | B | ST GRY | | 71 | 70 | | | | | 65 | 64 | | | | 60 | 59 | 58 | 57 | | | 55 | 54 | 53 | | |
| | | | | | | | 51 | 50 | 49 | 48 | | 46 | 45 | | 43 | | 41 | 40 | 39 | | 37 | 36 | 35 | | | | | 33 |
| | | | | | | 73 | | | | 32 | 31 | 30 | | | | | | 24 | 23 | 22 | | 20 | | | | | | |

MX123 52/66/73/80-WAY RECEPTACLE ASSY SEALED PIN OUT SHEET

| STATUS | GM PART # | HRNS CONN ASSY | | | TPA | GROMMET CAP | | | | | | | | | | | | | | | | | | | | | |
|----------|----------------|----------------|-------------------|------------------|--------------------|---|----|----|----|----|----|----|----|----|----|----|----|----|----|----|----|----|----|----|----|----|----|
| | | MATERIAL/PART | WIRE DRESS OPTION | KEY OPTION Fp | COLOR OPTION Fp | NUMBERS INDICATE CAVITIES OPEN FOR CIRCUITS | | | | | | | | | | | | | | | | | | | | | |
| | | NUMBER | | | | Fp | | | | | | | | | | | | | | | | | | | | | |
| SALEABLE | NOT APPLICABLE | 34566-2143 | 0 | B | ST GRAY | 71 | 70 | | | | | 65 | | | | 60 | 59 | 58 | 57 | | | 54 | 53 | | | | |
| | | | | | | 51 | 50 | 49 | 48 | | 46 | 45 | | 43 | | 41 | 40 | 39 | | 37 | 36 | 35 | | | 33 | | |
| | | | | | | 73 | | | 32 | 31 | 30 | | | | | 24 | 23 | 22 | | 20 | | | | | | | |
| SALEABLE | NOT APPLICABLE | 34566-2153 | 0 | A | BLACK | | | 70 | | 68 | 67 | 66 | 65 | | | | | 58 | 57 | | 55 | | | | | | |
| | | | | | | | | 49 | | 47 | | | 44 | 43 | 42 | 41 | | 39 | | 37 | | | | | | | |
| | | | | | | 73 | | | 32 | | 30 | | | 27 | | 25 | 24 | 23 | | 21 | 20 | 19 | 18 | | | | |
| SALEABLE | NOT APPLICABLE | 34566-2163 | 0 | A | BLACK | | | 70 | | | 67 | 66 | | | | 61 | | 58 | | 55 | 54 | | | | | | |
| | | | | | | | | 49 | | 47 | | 45 | 44 | 43 | 42 | 41 | | 39 | | 37 | | | | | | | |
| | | | | | | 73 | | | 32 | | | | | 27 | | 24 | | | 21 | 20 | 19 | 18 | 17 | | | | |
| SALEABLE | NOT APPLICABLE | 34566-2173 | 0 | A | BLACK | | | 70 | | | 67 | 66 | 65 | | | 61 | | 58 | | 55 | 54 | | | | | | |
| | | | | | | | | 49 | | 47 | | 45 | 44 | 43 | 42 | 41 | | 39 | | 37 | | | | | | | |
| | | | | | | 73 | | | 32 | | 30 | | | 27 | | 25 | 24 | | 21 | 20 | 19 | 18 | 17 | | | | |
| SALEABLE | NOT APPLICABLE | 34566-2183 | 0 | A | BLACK | | | 70 | | | 67 | 66 | | | | | 58 | 57 | | 55 | 54 | | | | | | |
| | | | | | | | | 49 | | 47 | | | 44 | 43 | 42 | 41 | | 39 | | 37 | | | | | | | |
| | | | | | | 73 | | | 32 | | | | | 27 | | 24 | | | 21 | 20 | 19 | 18 | 17 | | | | |
| SALEABLE | NOT APPLICABLE | 34566-2193 | 0 | A | BLACK | | | 70 | | | 67 | 66 | 65 | | | | 58 | 57 | | 55 | 54 | | | | | | |
| | | | | | | | | 49 | | 47 | | | 44 | 43 | 42 | 41 | | 39 | | 37 | | | | | | | |
| | | | | | | 73 | | | 32 | | 30 | | | 27 | | 25 | 24 | | 21 | 20 | 19 | 18 | 17 | | | | |
| SALEABLE | NOT APPLICABLE | 34566-2213 | 9 | H | ST GRAY | | 79 | 78 | 77 | 76 | 75 | 74 | 73 | 72 | 71 | 70 | 69 | 68 | | 66 | 65 | 64 | 63 | | 61 | | |
| | | | | | | 60 | 59 | 58 | 57 | 56 | | | 53 | | | 50 | | | | | | | 44 | 43 | | 41 | |
| | | | | | | 40 | 39 | 38 | 37 | | 35 | 34 | 33 | 32 | | 30 | 29 | | 27 | 26 | | | 24 | 23 | 22 | 21 | |
| SALEABLE | NOT APPLICABLE | 34566-2223 | 0 | A | BLACK | 20 | 19 | 18 | 17 | | | 14 | 13 | 12 | 11 | 10 | 9 | 8 | | 6 | 5 | | 3 | 2 | | | |
| | | | | | | 72 | 71 | 70 | 69 | 68 | 67 | 66 | | 64 | 63 | 62 | | 60 | 59 | | | | 55 | 54 | 53 | | |
| | | | | | | 52 | | | 49 | 48 | | 46 | | 44 | 43 | 42 | | 40 | 39 | | | | | 35 | 34 | 33 | |
| SALEABLE | NOT APPLICABLE | 34566-2233 | 0 | A | BLACK | 73 | | | 32 | | | 29 | | 27 | | 24 | 23 | | | | 19 | 18 | 17 | | | | |
| | | | | | | | | | 16 | | 14 | 13 | 12 | 11 | | 9 | 8 | 7 | 6 | 5 | 4 | 3 | 2 | 1 | | | |
| | | | | | | 52 | 51 | | 49 | | | | | 44 | 43 | 42 | 41 | | | | 58 | | 56 | | 54 | | |
| SALEABLE | NOT APPLICABLE | 34566-2243 | 0 | H | ST GRAY | | | | 69 | | | | | | 63 | | | | 58 | | 56 | | 54 | | | | |
| | | | | | | 52 | 51 | 50 | 49 | | | | | 44 | 43 | 42 | 41 | | | | | 36 | 35 | 34 | 33 | | |
| | | | | | | 73 | | | 32 | | | | 28 | | 26 | | | | | | | | | 19 | 18 | | |
| SALEABLE | NOT APPLICABLE | 34566-2253 | 0 | A | BLACK | | | | 69 | | | | | | 63 | 62 | 61 | | 58 | 57 | 56 | 55 | 54 | 53 | | | |
| | | | | | | 52 | 51 | 50 | 49 | | | | | 44 | 43 | 42 | 41 | | | | | 37 | 36 | 35 | 34 | 33 | |
| | | | | | | 73 | | | 32 | | | 29 | 28 | 27 | 26 | | 24 | 23 | 22 | 21 | 20 | 19 | 18 | 17 | | | |
| SALEABLE | NOT APPLICABLE | 34566-2263 | 0 | A | BLACK | | | | 69 | | | | | | 63 | | | | 58 | | 56 | 55 | 54 | 53 | | | |
| | | | | | | 52 | 51 | 50 | 49 | | | | | 44 | 43 | 42 | 41 | | | | | | 36 | 35 | 34 | 33 | |
| | | | | | | 73 | | | 32 | | | | 28 | | 26 | | | | | | | | | 19 | 18 | | |
| SALEABLE | NOT APPLICABLE | 34566-2273 | 0 | A | BLACK | | | | 69 | | | | | | 63 | 62 | 61 | | 58 | 57 | 56 | 55 | 54 | 53 | | | |
| | | | | | | 52 | 51 | 50 | 49 | | | | | 44 | 43 | 42 | 41 | | | | | | 37 | 36 | 35 | 34 | 33 |
| | | | | | | 73 | | | 32 | | | 29 | 28 | 27 | 26 | | | | | | | | | | 19 | 18 | |
| SALEABLE | NOT APPLICABLE | 34566-2283 | 0 | B | ST GRAY | | | | 49 | 68 | 67 | 66 | 65 | 64 | 63 | | | | | | | 55 | | | | | |
| | | | | | | | | | 48 | | 46 | 45 | 44 | 43 | | | | | | | | | | | | | |
| | | | | | | 73 | | | 32 | | 30 | 29 | 28 | 27 | | | | | | | | | | | | | |
| SALEABLE | NOT APPLICABLE | 34566-2293 | 0 | C | BLUE | 72 | | 70 | | 68 | | 66 | | | 63 | | | | 59 | | 57 | | | 53 | | | |
| | | | | | | 52 | 51 | | | 48 | 47 | 46 | | 44 | | 42 | | 40 | 39 | | | | | | 34 | 33 | |
| | | | | | | 73 | | | | | 30 | | | | 26 | 25 | | | 22 | 21 | | | | | | | |

MX123 52/66/73/80-WAY RECEPTACLE ASSY SEALED PIN OUT SHEET

| STATUS | GM PART # | HRNS CONN ASSY | | | TPA | GROMMET CAP | | | | | | | | | | | | | | | | | | | | | | | |
|----------|----------------|---|-------------------|------------------|--------------------|---|----|----|----|----|----|----|----|----|----|----|----|----|----|----|----|----|----|----|----|----|----|----|----|
| | | MATERIAL/PART | WIRE DRESS OPTION | KEY OPTION Fp | COLOR OPTION Fp | NUMBERS INDICATE CAVITIES OPEN FOR CIRCUITS | | | | | | | | | | | | | | | | | | | | | | | |
| | | NUMBER | | | | Fp | | | | | | | | | | | | | | | | | | | | | | | |
| SALEABLE | NOT APPLICABLE | 34566-2473 | 0 | A | BLACK | | | 70 | | 68 | 67 | 66 | 65 | | | | | | 58 | 57 | | 55 | | | | | | | |
| | | | | | | | | 49 | | | 47 | | 30 | | | 44 | 43 | 42 | 41 | | 39 | | | 21 | 20 | 19 | 18 | 17 | |
| | | | | | | 73 | | | | | | | | 32 | | 15 | 14 | 13 | | | | 9 | 8 | | 6 | 5 | | 3 | 1 |
| SALEABLE | NOT APPLICABLE | 34566-2483 | 0 | A | BLACK | | | | 69 | | | | | | | 63 | 62 | 61 | | | 58 | 57 | 56 | 55 | 54 | 53 | | | |
| | | | | | | 52 | 51 | | 49 | | | | | | 44 | 43 | 42 | 41 | | | | | 37 | 36 | 35 | 34 | 33 | | |
| | | | | | | 73 | | | | | | | | 32 | | | | 29 | 28 | 27 | 26 | | | 23 | | | | 19 | 18 |
| SALEABLE | NOT APPLICABLE | 34566-2493 SAME AS P/N 34566-3863 | 0 | B | ST GRN | 72 | 71 | 70 | | 68 | 67 | 66 | | | | | 62 | 61 | 60 | 59 | 58 | 57 | 56 | 55 | 54 | 53 | | | |
| | | | | | | 52 | 51 | 50 | | 48 | 47 | 46 | | | | | 42 | 41 | 40 | 39 | 38 | 37 | 36 | 35 | 34 | 33 | | | |
| | | | | | | 73 | | | | | | | | 32 | 31 | 30 | 29 | 28 | 27 | 26 | 25 | 24 | | | | | | | 17 |
| SALEABLE | NOT APPLICABLE | 34566-2513 | 0 | C | BLUE | 72 | | 70 | | 68 | 67 | 66 | | | | 63 | 62 | | | 59 | | 57 | | | 53 | | | | |
| | | | | | | 52 | 51 | | | 48 | 47 | 46 | | | 44 | | 42 | | 40 | 39 | | | | | | | 34 | 33 | |
| | | | | | | 73 | | | | | | | | 32 | | 30 | | | 27 | 26 | 25 | | | 22 | 21 | 20 | | | |
| SALEABLE | NOT APPLICABLE | 34566-2523 | 0 | A | BLACK | 72 | 71 | 70 | 69 | 68 | 67 | 66 | 65 | 64 | 63 | 62 | | 60 | 59 | | | | | | 55 | 54 | 53 | | |
| | | | | | | 52 | | | 49 | 48 | | | 45 | 44 | 43 | 42 | 41 | 40 | 39 | | | | | | | | 35 | 34 | 33 |
| | | | | | | 73 | | | | | | | | 32 | | | 29 | 28 | 27 | | 25 | 24 | 23 | | | | | 19 | 18 |
| SALEABLE | NOT APPLICABLE | 34566-2533 | 0 | B | ST GRN | | | | | | 67 | 66 | 65 | | | 63 | | | 59 | 58 | 57 | 56 | 55 | 54 | 53 | | | | |
| | | | | | | | | 50 | 49 | 48 | | 46 | 45 | | 43 | | | | 39 | 38 | 37 | 36 | 35 | 34 | 33 | | | | |
| | | | | | | 73 | | | | | | | | | | 29 | | 27 | | | | 23 | 22 | 21 | | | | 18 | |
| SALEABLE | NOT APPLICABLE | 34566-2543 | 0 | C | BLUE | 72 | | 70 | | | | 66 | | | 63 | | | 59 | | 57 | | | | | 53 | | | | |
| | | | | | | 52 | 51 | | | | | 46 | | 44 | | 42 | | 40 | 39 | | | | | | | | 34 | 33 | |
| | | | | | | 73 | | | | | | | | 32 | | 30 | | | 27 | 26 | 25 | | | 22 | 21 | | | | |
| SALEABLE | NOT APPLICABLE | 34566-2553 | 9 | B | ST GRN | 72 | 71 | 70 | | 68 | 67 | 66 | | | | 62 | 61 | 60 | 59 | 58 | 57 | 56 | 55 | 54 | 53 | | | | |
| | | | | | | 52 | 51 | 50 | | 48 | 47 | 46 | | | | 42 | 41 | 40 | 39 | 38 | 37 | 36 | 35 | 34 | 33 | | | | |
| | | | | | | 73 | | | | | | | | 32 | 31 | 30 | 29 | 28 | 27 | 26 | 25 | 24 | 23 | | | | | | |
| SALEABLE | NOT APPLICABLE | 34566-2563 | 9 | A | BLACK | | | | 69 | | | | | | 63 | 62 | 61 | | | 58 | 57 | 56 | 55 | 54 | 53 | | | | |
| | | | | | | 52 | 51 | 50 | 49 | | | | | 44 | 43 | 42 | 41 | | 39 | | | | 37 | 36 | 35 | 34 | 33 | | |
| | | | | | | 73 | | | | | | | | 32 | | | 29 | 28 | 27 | 26 | | | | | | | | 19 | 18 |
| SALEABLE | NOT APPLICABLE | 34566-2573 | 9 | C | BLUE | 72 | | 70 | | | 67 | 66 | | | 63 | 62 | | | 59 | | 57 | | | | 53 | | | | |
| | | | | | | 52 | 51 | | | | | 46 | | 44 | | 42 | | 40 | 39 | | | | | | | | 34 | 33 | |
| | | | | | | 73 | | | | | | | | | 30 | | | | 26 | 25 | | | 22 | 21 | 20 | | | | |
| SALEABLE | NOT APPLICABLE | 34566-2583 | 0 | A | BLACK | | | | 69 | | | | | | 63 | | | | 58 | 57 | 56 | 55 | 54 | 53 | | | | | |
| | | | | | | 52 | 51 | 50 | 49 | | | | | 44 | 43 | 42 | 41 | | 39 | | | | | | | 36 | 35 | 34 | 33 |
| | | | | | | 73 | | | | | | | | 32 | | | | 28 | | 26 | | | | | | | | 19 | 18 |
| SALEABLE | NOT APPLICABLE | 34566-2593 | 0 | C | BLUE | 72 | | 70 | | | | 66 | | | 63 | 62 | | | 59 | | 57 | | | | 53 | | | | |
| | | | | | | 52 | 51 | | | | | 46 | | 44 | | 42 | | 40 | 39 | | | | | | | | 34 | 33 | |
| | | | | | | 73 | | | | | | | | 32 | | 30 | | | 27 | 26 | 25 | | | 22 | 21 | | | | |
| SALEABLE | NOT APPLICABLE | 34566-2613 | 9 | C | BLUE | 72 | | 70 | | | 67 | 66 | | | 63 | 62 | | | 59 | | 57 | | | | 53 | | | | |
| | | | | | | 52 | 51 | | | | | 46 | | 44 | | 42 | | 40 | 39 | | | | | | | | 34 | 33 | |
| | | | | | | 73 | | | | | | | | | 30 | | | | 27 | 26 | 25 | | | 22 | 21 | 20 | | | |
| SALEABLE | NOT APPLICABLE | 34566-2623 | 0 | A | BLACK | | 71 | | 69 | 68 | 67 | | 65 | 64 | 63 | | 61 | | 59 | | 57 | 56 | | | | | | | |
| | | | | | | | | 50 | 49 | | 47 | | | | | 41 | | | 38 | 37 | 36 | | | | | 34 | 33 | | |
| | | | | | | 73 | | | | | | | | 32 | 31 | 30 | 29 | 28 | 27 | | 24 | 23 | | | | | 20 | 19 | 18 |
| SALEABLE | NOT APPLICABLE | 34566-2633 | 0 | A | BLACK | | 71 | | 69 | 68 | 67 | | 65 | 64 | | | 61 | | 59 | | 57 | 56 | | | | | | | |
| | | | | | | | | 50 | 49 | | 47 | | | | | 41 | | | 38 | 37 | 36 | | | | | | 33 | | |
| | | | | | | 73 | | | | | | | | 32 | 31 | 30 | 29 | 28 | 27 | | 24 | 23 | | | | | 20 | 19 | 18 |

MX123 52/66/73/80-WAY RECEPTACLE ASSY SEALED PIN OUT SHEET

| STATUS | GM PART # | HRNS CONN ASSY | | | TPA | GROMMET CAP | | | | | | | | | | | | | | | | | | | | | |
|----------|----------------|----------------|-------------------|------------------|--------------------|---|----|----|----|----|----|----|----|----|----|----|----|----|----|----|----|----|----|----|----|----|----|
| | | MATERIAL/PART | WIRE DRESS OPTION | KEY OPTION Fp | COLOR OPTION Fp | NUMBERS INDICATE CAVITIES OPEN FOR CIRCUITS | | | | | | | | | | | | | | | | | | | | | |
| | | NUMBER | | | | Fp | | | | | | | | | | | | | | | | | | | | | |
| SALEABLE | NOT APPLICABLE | 34566-2813 | 9 | B | ST GRAY | 72 | 71 | 70 | 69 | 68 | 67 | 66 | 65 | 64 | | 62 | 61 | 60 | 59 | 58 | 57 | 56 | 55 | 54 | | | |
| | | | | | | 52 | 51 | 50 | 49 | 48 | | 46 | | 44 | | | | 40 | | | | 37 | 36 | | | | |
| | | | | | | 73 | | | | 32 | 31 | 30 | 29 | 28 | 27 | | 25 | 24 | | | | 21 | 20 | | | 18 | |
| SALEABLE | NOT APPLICABLE | 34566-2823 | 0 | A | BLACK | | | | | | 67 | 66 | | | | | | | | | | | | | | | |
| | | | | | | | | | | | 47 | | | | | 41 | | | | | | | | | | | |
| | | | | | | 73 | | | | 32 | 31 | 30 | 29 | | 27 | | 25 | | | 22 | 21 | | | 19 | 18 | 17 | |
| SALEABLE | NOT APPLICABLE | 34566-2833 | 0 | B | ST GRAY | 72 | 71 | 70 | 69 | 68 | 67 | 66 | 65 | | | 61 | 60 | | | | 57 | 56 | 55 | 54 | | | |
| | | | | | | 52 | 51 | 50 | 49 | 48 | | 46 | | 44 | | | | 40 | | | | 37 | 36 | | | | |
| | | | | | | 73 | | | | 32 | 31 | 30 | 29 | 28 | 27 | | | 24 | | | 21 | 20 | 19 | 18 | 17 | | |
| SALEABLE | NOT APPLICABLE | 34566-2843 | 0 | A | BLACK | | | | | | 67 | 66 | | | | | | | | | | | | | | | |
| | | | | | | | | | | | 47 | | | | | 41 | | | | | | | | | | | |
| | | | | | | 73 | | | | 32 | 31 | 30 | 29 | | 27 | | 25 | | | 22 | 21 | | | 19 | 18 | 17 | |
| SALEABLE | NOT APPLICABLE | 34566-2853 | 0 | B | ST GRAY | 72 | 71 | 70 | 69 | 68 | 67 | 66 | 65 | 64 | 63 | | 61 | 60 | | | | 57 | 56 | 55 | 54 | | |
| | | | | | | 52 | 51 | 50 | 49 | 48 | | 46 | | 44 | | | | 40 | | | | 37 | 36 | | | | |
| | | | | | | 73 | | | | 32 | 31 | 30 | 29 | 28 | 27 | | | 24 | | | 21 | 20 | 19 | 18 | 17 | | |
| SALEABLE | NOT APPLICABLE | 34566-2863 | 0 | A | BLACK | | | | | | 67 | 66 | | | | | | | | | | | | | | | |
| | | | | | | | | | | | 47 | | | | | 41 | | | | | | | | | | | |
| | | | | | | 73 | | | | 32 | 31 | 30 | 29 | | 27 | | 25 | | | 22 | 21 | | | 19 | 18 | 17 | |
| SALEABLE | NOT APPLICABLE | 34566-2873 | 0 | B | ST GRAY | 72 | 71 | 70 | 69 | 68 | 67 | 66 | | | | | | | 59 | 58 | 57 | 56 | 55 | 54 | | | |
| | | | | | | 52 | 51 | 50 | 49 | 48 | 47 | | | | | | | 40 | | | 39 | 38 | 37 | 36 | 35 | 34 | |
| | | | | | | 73 | | | | | 15 | | | | | 11 | 10 | | 8 | | 6 | 5 | 4 | 3 | | | |
| SALEABLE | NOT APPLICABLE | 34566-2883 | 0 | A | BLACK | | | 70 | 69 | | | | | | 63 | 62 | 61 | | | 58 | 57 | 56 | 55 | 54 | 53 | | |
| | | | | | | 52 | 51 | | 49 | | | | 44 | 43 | 42 | 41 | | | | | 37 | 36 | | | 34 | | |
| | | | | | | 73 | | | | 32 | | | 29 | 28 | 27 | 26 | | | | | | | | | 19 | 18 | |
| SALEABLE | NOT APPLICABLE | 34566-2893 | 0 | A | BLACK | | | | 69 | | 67 | 66 | 65 | | 63 | | | 60 | | | 57 | 56 | | 53 | | | |
| | | | | | | | | | 49 | | 47 | 46 | | 44 | 43 | | 40 | | | 37 | 36 | 35 | | | | | |
| | | | | | | 73 | | | | | 31 | 30 | 29 | 28 | | | | 24 | | | 21 | 20 | | | | | |
| SALEABLE | NOT APPLICABLE | 34566-2913 | 0 | B | ST GRAY | | | | | 68 | 67 | | | 64 | | | | | 58 | | | | | | | | |
| | | | | | | | | | | | | 46 | 45 | | | | | | | | | | | | | | |
| | | | | | | 73 | | | | 32 | | 30 | 29 | 28 | 27 | | | | | | | | | | | 17 | |
| SALEABLE | NOT APPLICABLE | 34566-2923 | 0 | B | ST GRAY | | | | | | 67 | | | | | | | | | | | | | | | | |
| | | | | | | | | | | | | 46 | 45 | | | | | | | | | | | | | | |
| | | | | | | 73 | | | | 32 | | 30 | 29 | 28 | 27 | | | | | | | | | | | 17 | |
| SALEABLE | NOT APPLICABLE | 34566-2933 | 0 | A | BLACK | 72 | | | 69 | | 67 | | 65 | | 63 | | | 60 | | | 57 | 56 | | 53 | | | |
| | | | | | | | | | 49 | | 47 | | 44 | 43 | | 40 | | | 37 | 36 | 35 | | | | | | |
| | | | | | | 73 | | | | | 31 | 30 | 29 | 28 | | | | 24 | | | 21 | 20 | | | 17 | | |
| SALEABLE | NOT APPLICABLE | 34566-2943 | 0 | B | ST GRAY | | | | | 68 | 67 | | | 64 | 63 | | | 59 | | 57 | | | | | | | |
| | | | | | | | | | | | | 46 | 45 | | 43 | | | 39 | | 37 | | | | | | | |
| | | | | | | 73 | | | | 32 | | 30 | 29 | 28 | 27 | | | | | | 21 | | | | | | |
| SALEABLE | NOT APPLICABLE | 34566-2953 | 0 | B | ST GRAY | | | | | 68 | 67 | | | 64 | 63 | | | 59 | | | | | | | | | |
| | | | | | | | | | | | | 46 | 45 | | 43 | | | 39 | | | | | | | | | |
| | | | | | | 73 | | | | 32 | | 30 | 29 | 28 | 27 | | | | | | | | | | 34 | | |
| SALEABLE | NOT APPLICABLE | 34566-2963 | 0 | H | ST GRAY | | 79 | | | | | | 74 | 73 | 72 | 71 | | 69 | 68 | 67 | | | 64 | | 62 | 61 | |
| | | | | | | | 59 | | | | | | 54 | 53 | 52 | | | 49 | 48 | 47 | | | | | | 42 | 41 |
| | | | | | | | | 38 | | | | | 33 | | | | | | 29 | 28 | 27 | | | 25 | | | |

MX123 52/66/73/80-WAY RECEPTACLE ASSY SEALED PIN OUT SHEET

| STATUS | GM PART # | HRNS CONN ASSY | | | TPA | GROMMET CAP | | | | | | | | | | | | | | | | | | | | | |
|----------|----------------|----------------|-------------------|------------------|--------------------|---|----|----|----|----|----|----|----|----|----|----|----|----|----|----|----|----|----|----|----|----|----|
| | | MATERIAL/PART | WIRE DRESS OPTION | KEY OPTION Fp | COLOR OPTION Fp | NUMBERS INDICATE CAVITIES OPEN FOR CIRCUITS | | | | | | | | | | | | | | | | | | | | | |
| | | NUMBER | | | | Fp | | | | | | | | | | | | | | | | | | | | | |
| SALEABLE | NOT APPLICABLE | 34566-2973 | 0 | G | BLUE | 80 | | 78 | 77 | | 75 | 74 | 73 | 72 | | 70 | 69 | | 67 | | 65 | 64 | 63 | 62 | | | |
| | | | | | | 60 | | 58 | 57 | | 55 | 54 | | 52 | 51 | 50 | 49 | | 47 | | 45 | | | | | | |
| | | | | | | 40 | | 38 | 37 | | | | 33 | 32 | 31 | | | | 27 | 26 | 25 | 24 | | | | | |
| | | | | | | 20 | | 18 | 17 | | | | | | | | 10 | 9 | 8 | | 6 | 5 | | | 3 | 2 | 1 |
| SALEABLE | NOT APPLICABLE | 34566-9913 | 0 | A | BLACK | 72 | 71 | | | 68 | 67 | 66 | 65 | 64 | | | | | 59 | | | | | | | | |
| | | | | | | | | 50 | | 48 | 47 | 46 | 45 | | | | | 40 | 39 | 38 | | | | | | | |
| | | | | | | 73 | | | | | 31 | 30 | | | | | | 25 | 24 | | 22 | 21 | 20 | | | 17 | |
| | | | | | | | | | | | | 14 | | | | | | 9 | 7 | 6 | 5 | 4 | | | 2 | 1 | |
| SALEABLE | NOT APPLICABLE | 34566-9923 | 0 | A | BLACK | 72 | 71 | | | | 67 | 66 | | | | 62 | 61 | 60 | | | 57 | | 55 | 54 | | | |
| | | | | | | | 51 | | | 48 | | 46 | 45 | 44 | 43 | 42 | | | 39 | | | | | 35 | | 33 | |
| | | | | | | 73 | | | | | | | | | | | 26 | 25 | 24 | | | | | | | | |
| | | | | | | | | | | | | 15 | 14 | | | | | | 8 | 7 | 6 | 5 | 4 | 3 | 2 | | |
| SALEABLE | NOT APPLICABLE | 34566-9933 | 0 | B | ST GRAY | | | | 69 | | | | 65 | 64 | 63 | | | | | | | | | | | | |
| | | | | | | | | | 49 | | | | 45 | 44 | 43 | | | | | | | | | | | | |
| | | | | | | 73 | | | | | | | | | | 12 | 11 | | | | 6 | 5 | 4 | 3 | 2 | 1 | |
| | | | | | | | | | | | | | | | | | | | | | 22 | 21 | 20 | 19 | 18 | 17 | |
| SALEABLE | NOT APPLICABLE | 34566-9943 | 0 | C | BLUE | | 71 | | 69 | | | | 65 | 64 | | | 61 | 60 | | | 58 | | 56 | 55 | 54 | | |
| | | | | | | | | 50 | 49 | | | | 45 | | 43 | | 41 | | | | 37 | 36 | 35 | | | | |
| | | | | | | 73 | | | | | 31 | | 29 | 28 | | | | 24 | 23 | | | | | 19 | 18 | 17 | |
| | | | | | | | | | | | | 16 | | 13 | 12 | 11 | | | 8 | 7 | | | | 3 | 2 | 1 | |
| SALEABLE | NOT APPLICABLE | 34566-9953 | 0 | A | BLACK | | | | | 67 | | | | | | 62 | | 60 | | | 57 | | 55 | | | | |
| | | | | | | | 51 | | | 48 | | 46 | 45 | 44 | 43 | | | | 39 | | | | | 35 | | | |
| | | | | | | 73 | | | | | | | | | | | | 25 | | | | | | | | | |
| | | | | | | | | | | | | 15 | 14 | | | | | | 7 | 6 | 5 | 4 | 3 | 2 | | | |
| SALEABLE | NOT APPLICABLE | 34566-9963 | 0 | B | ST GRAY | | | | | 68 | 67 | | | 64 | 63 | | | | | 58 | | | 55 | | | | |
| | | | | | | | | | | | | 46 | 45 | | 43 | | | | | 38 | | | | 35 | | | |
| | | | | | | 73 | | | | | 32 | | 30 | 29 | 28 | 27 | | | | 22 | | | | 19 | 17 | | |
| | | | | | | | | | | | | 15 | | 13 | | | 10 | | | | | | | | | 1 | |
| SALEABLE | NOT APPLICABLE | 34566-9973 | 0 | B | ST GRAY | | | | | 68 | 67 | | | 64 | 63 | | | | | 58 | | | | | | | |
| | | | | | | | | | | | | 46 | 45 | | 43 | | | | | 38 | | | | | | | |
| | | | | | | 73 | | | | | 32 | | 30 | 29 | 28 | 27 | | | | 22 | | | | | | 17 | |
| | | | | | | | | | | | | 15 | | 13 | | | 10 | | | | | | | | | | |
| SALEABLE | NOT APPLICABLE | 34566-2983 | 9 | A | BLACK | | | | 70 | 69 | | | | | 63 | 62 | 61 | | | 58 | 57 | 56 | 55 | 54 | 53 | | |
| | | | | | | 52 | 51 | | 49 | | | | | 44 | 43 | 42 | 41 | | | | | 37 | 36 | | 34 | | |
| | | | | | | 73 | | | | | 32 | | 29 | 28 | 27 | 26 | | | | | | | | 19 | 18 | 17 | |
| | | | | | | | | | | | 16 | 15 | | 13 | 12 | 11 | 10 | | | | | | | 3 | 2 | 1 | |
| SALEABLE | NOT APPLICABLE | 34566-2993 | 9 | B | ST GRAY | 72 | 71 | 70 | | 68 | 67 | 66 | | | | 62 | 61 | 60 | 59 | 58 | 57 | 56 | 55 | 54 | 53 | | |
| | | | | | | 52 | 51 | 50 | | 48 | 47 | 46 | | | | 42 | 41 | 40 | 39 | 38 | 37 | 36 | 35 | 34 | 33 | | |
| | | | | | | 73 | | | | | 32 | 31 | 30 | 29 | 28 | 27 | 26 | 25 | 24 | | | | | | | | |
| | | | | | | | | | | | 16 | 15 | 14 | 13 | | | 10 | 9 | 8 | | | | | | | | |
| SALEABLE | NOT APPLICABLE | 34566-3013 | 9 | C | BLUE | 72 | 71 | 70 | 69 | 68 | 67 | 66 | | | 63 | 62 | | | 59 | | 57 | 56 | 55 | | 53 | | |
| | | | | | | 52 | 51 | | | | | 46 | | 44 | | 42 | | 40 | 39 | 38 | | | | | 34 | 33 | |
| | | | | | | 73 | | | | | 32 | | 30 | | | | 26 | 25 | | | 22 | 21 | | 19 | 18 | | |
| | | | | | | | | | | | | 15 | 14 | | | | 10 | 9 | | | 6 | 5 | 4 | 3 | | | |
| SALEABLE | NOT APPLICABLE | 34566-3023 | 0 | G | BLUE | | 79 | | | 76 | | | | | 71 | | | 68 | | 66 | | | | 61 | | | |
| | | | | | | | 59 | | | 56 | | | | 53 | | | | | 30 | 29 | 28 | | | 44 | 43 | 42 | 41 |
| | | | | | | | 39 | | | 36 | 35 | 34 | | | | | | | | | | | | | 23 | 22 | 21 |
| | | | | | | | 19 | | | 16 | 15 | 14 | 13 | 12 | 11 | | | | | 7 | | | | 4 | | | |
| SALEABLE | NOT APPLICABLE | 34566-3033 | 0 | H | ST GRAY | 80 | | 78 | 77 | 76 | 75 | | | | | 70 | | | | 66 | 65 | | 63 | | | | |
| | | | | | | 60 | | 58 | 57 | 56 | 55 | | | | 51 | 50 | | | | 46 | 45 | 44 | 43 | | | | |
| | | | | | | 40 | 39 | | 37 | 36 | 35 | 34 | | | 32 | 31 | 30 | | 28 | | 26 | | 24 | 23 | 22 | | |
| | | | | | | 20 | 19 | 18 | 17 | 16 | | | | 13 | 12 | | | | | | 6 | 5 | 4 | 3 | 2 | 1 | |
| SALEABLE | NOT APPLICABLE | 34566-3043 | 0 | C | BLUE | 72 | 71 | 70 | | 68 | | 66 | | | 63 | 62 | | | 59 | | 57 | | | | 53 | | |
| | | | | | | 52 | 51 | | | 48 | 47 | 46 | | 44 | | 42 | | 40 | 39 | | | | | | 34 | 33 | |
| | | | | | | 73 | | | | | 32 | | 30 | | | | 27 | 26 | 25 | | 22 | 21 | 20 | | | | |
| | | | | | | | | | | | | 15 | 14 | 13 | | | | 10 | 9 | | | 6 | 5 | 4 | | | |
| SALEABLE | NOT APPLICABLE | 34566-3053 | 0 | C | BLUE | 72 | | 70 | | 68 | | 66 | | | 63 | 62 | | | 59 | | 57 | | | | 53 | | |
| | | | | | | 52 | 51 | | | 48 | 47 | 46 | | 44 | | 42 | | 40 | 39 | 38 | | | | | 34 | 33 | |
| | | | | | | 73 | | | | | 32 | | 30 | | | | 27 | 26 | 25 | | 22 | 21 | 20 | | | | |
| | | | | | | | | | | | | 15 | 14 | 13 | | | | 10 | 9 | | | 6 | 5 | 4 | | | |

MX123 52/66/73/80-WAY RECEPTACLE ASSY SEALED PIN OUT SHEET

| STATUS | GM PART # | HRNS CONN ASSY | | | TPA | GROMMET CAP | | | | | | | | | | | | | | | | | | | | | |
|----------|----------------|----------------|-------------------|------------------|--------------------|---|----|----|----|----|----|----|----|----|----|----|----|----|----|----|----|----|----|----|----|----|----|
| | | MATERIAL/PART | WIRE DRESS OPTION | KEY OPTION Fp | COLOR OPTION Fp | NUMBERS INDICATE CAVITIES OPEN FOR CIRCUITS | | | | | | | | | | | | | | | | | | | | | |
| | | NUMBER | | | | Fp | | | | | | | | | | | | | | | | | | | | | |
| SALEABLE | NOT APPLICABLE | 34566-3063 | 0 | A | BLACK | 52 | 71 | | 69 | | | | 65 | 64 | 63 | | | 60 | | 58 | 57 | 56 | 55 | 54 | 53 | | |
| | | | | | | | 51 | | 49 | | | | 45 | 44 | 43 | 42 | 41 | | | | | | 37 | 36 | 35 | 34 | 33 |
| | | | | | | 73 | | | 32 | | 30 | | | 28 | | 26 | | | | | | | | | | 19 | 18 |
| SALEABLE | NOT APPLICABLE | 34566-3073 | 0 | A | BLACK | 52 | 71 | | 69 | | | | 65 | 64 | 63 | | | 60 | | | 57 | 56 | 55 | 54 | 53 | | |
| | | | | | | | 51 | | 49 | | | | 45 | 44 | 43 | 42 | 41 | | | | | | 37 | 36 | 35 | 34 | 33 |
| | | | | | | 73 | | | 32 | | 30 | | | 28 | | 26 | | | 23 | | | | | | | 19 | 18 |
| SALEABLE | NOT APPLICABLE | 34566-3083 | 0 | A | BLACK | 52 | 71 | | 69 | | | | 65 | 64 | 63 | | | 60 | | 58 | 57 | 56 | 55 | 54 | 53 | | |
| | | | | | | | 51 | | 49 | | | | 45 | 44 | 43 | 42 | 41 | | | | | | 37 | 36 | 35 | 34 | 33 |
| | | | | | | 73 | | | 32 | | 30 | | | 28 | | 26 | | | | | | | | | | 19 | 18 |
| SALEABLE | NOT APPLICABLE | 34566-3093 | 0 | A | BLACK | 52 | 71 | | 69 | | | | 65 | 64 | 63 | | | 60 | | | 57 | 56 | 55 | 54 | 53 | | |
| | | | | | | | 51 | | 49 | | | | 45 | 44 | 43 | 42 | 41 | | | | | | 37 | 36 | 35 | 34 | 33 |
| | | | | | | 73 | | | 32 | | 30 | | | 28 | | 26 | | | 23 | | | | | | | 19 | 18 |
| SALEABLE | NOT APPLICABLE | 34566-3113 | 0 | A | BLACK | 52 | 71 | | 69 | | | | 65 | 64 | 63 | | | 60 | | | 57 | 56 | 55 | 54 | 53 | | |
| | | | | | | | 51 | | 49 | | | | 45 | 44 | 43 | 42 | 41 | | | | | | 37 | 36 | 35 | 34 | 33 |
| | | | | | | 73 | | | 32 | | 30 | | | 28 | | 26 | | | 23 | | | 21 | | | | 19 | 18 |
| SALEABLE | NOT APPLICABLE | 34566-3123 | 0 | B | ST GRV | 72 | | 70 | | | | 66 | | | | | 60 | 59 | | | | | 55 | 54 | 53 | | |
| | | | | | | 52 | | 50 | | | | 48 | 46 | | | | | 40 | 39 | | | | | | 35 | 34 | 33 |
| | | | | | | 73 | | | 32 | 31 | 30 | 29 | 28 | 27 | 26 | 25 | 24 | | | | | | | | | | |
| SALEABLE | NOT APPLICABLE | 34566-3133 | 0 | C | BLUE | 72 | | 70 | | 68 | 67 | 66 | | | 63 | 62 | | | 59 | | 57 | | | | 53 | | |
| | | | | | | 52 | 51 | | | 48 | 47 | 46 | | 44 | | 42 | | 40 | 39 | | | | | | | 34 | 33 |
| | | | | | | 73 | | | 32 | | 30 | | | | 26 | 25 | | | 22 | 21 | 20 | | | | | | |
| SALEABLE | NOT APPLICABLE | 34566-3143 | 0 | C | BLUE | 72 | | 70 | | | | 66 | | | 63 | 62 | | | 59 | | 57 | | | | 53 | | |
| | | | | | | 52 | 51 | | | | | 46 | | 44 | | 42 | | 40 | 39 | | | | | | | 34 | 33 |
| | | | | | | 73 | | | 32 | | 30 | | | | 26 | 25 | | | 22 | 21 | | | | | | | |
| SALEABLE | NOT APPLICABLE | 34566-3153 | 0 | A | BLACK | 52 | 71 | | 69 | | | | | | 63 | | | | 58 | | | 56 | | 54 | | | |
| | | | | | | | 51 | | 49 | | | | 47 | | | 44 | 43 | 42 | 41 | | | | | 36 | | 34 | |
| | | | | | | 73 | | | 32 | | | | | 28 | | 26 | | | | | | | | | | 19 | 18 |
| SALEABLE | NOT APPLICABLE | 34566-3163 | 0 | C | BLUE | 72 | | 70 | | | | | | | 63 | 62 | | | 59 | | 57 | 56 | 55 | | 53 | | |
| | | | | | | 52 | 51 | | | | | 46 | | 44 | | 42 | | 40 | 39 | | | | | | 37 | 36 | |
| | | | | | | 73 | | | 32 | | 30 | | | | 26 | 25 | | | 22 | 21 | | | | | | 19 | 18 |
| SALEABLE | NOT APPLICABLE | 34566-3173 | 0 | A | BLACK | 52 | 71 | | 69 | | | | | | 63 | | | | 58 | | | 56 | | 54 | | | |
| | | | | | | | 51 | | 49 | | | | 47 | | | 44 | 43 | 42 | 41 | | | | | 36 | | 34 | |
| | | | | | | 73 | | | 32 | | | | | 28 | | 26 | | | | | | | | | | 19 | 18 |
| SALEABLE | NOT APPLICABLE | 34566-3183 | 0 | C | BLUE | 72 | | 70 | | | | 66 | | | 63 | 62 | | | 59 | | 57 | 56 | 55 | | 53 | | |
| | | | | | | 52 | 51 | | | | | 46 | | 44 | | 42 | | 40 | 39 | | | | | | | 34 | 33 |
| | | | | | | 73 | | | 32 | | 30 | | | | 26 | 25 | | | 22 | 21 | | | | | | | |
| SALEABLE | NOT APPLICABLE | 34566-3193 | 0 | A | BLACK | 52 | 71 | | 69 | | | | | | 63 | | | | 58 | | | 56 | 55 | 54 | 53 | | |
| | | | | | | | 51 | | 49 | | | | | | 44 | 43 | 42 | 41 | | | | | | 36 | 35 | 34 | 33 |
| | | | | | | 73 | | | 32 | | | | | 28 | | 26 | | | | | | | | | | 19 | 18 |
| SALEABLE | NOT APPLICABLE | 34566-3213 | 0 | C | BLUE | 72 | | 70 | | | | 67 | 66 | | | 63 | 62 | | | 59 | | 56 | | | 53 | | |
| | | | | | | 52 | 51 | | | | | 46 | | 44 | | 42 | | 40 | 39 | | | | | | | 34 | 33 |
| | | | | | | 73 | | | 32 | | 30 | | | | 26 | 25 | | | 22 | 21 | | | | | | | |
| SALEABLE | NOT APPLICABLE | 34566-3223 | 0 | C | BLUE | 72 | | 70 | | | | 67 | 66 | | | 63 | 62 | | | 59 | | 57 | | | 53 | | |
| | | | | | | 52 | 51 | | | | | 46 | | 44 | | 42 | | 40 | 39 | | | | | | | 34 | 33 |
| | | | | | | 73 | | | 32 | | 30 | | | | 27 | 26 | 25 | | 22 | 21 | | | | | | | |

MX123 52/66/73/80-WAY RECEPTACLE ASSY SEALED PIN OUT SHEET

| STATUS | GM PART # | HRNS CONN ASSY | | | TPA | GROMMET CAP | | | | | | | | | | | | | | | | | | | | | | | |
|----------|----------------|----------------|-------------------|------------------|--------------------|---|----|----|----|----|----|----|----|----|----|----|----|----|----|----|----|----|----|----|----|----|----|----|----|
| | | MATERIAL/PART | WIRE DRESS OPTION | KEY OPTION Fp | COLOR OPTION Fp | NUMBERS INDICATE CAVITIES OPEN FOR CIRCUITS | | | | | | | | | | | | | | | | | | | | | | | |
| | | NUMBER | | | | Fp | | | | | | | | | | | | | | | | | | | | | | | |
| SALEABLE | NOT APPLICABLE | 34566-3233 | 0 | A | BLACK | 70 | 69 | | | | | | | | 63 | 62 | 61 | | | | 58 | 57 | 56 | 55 | 54 | 53 | | | |
| | | | | | | 52 | 51 | | 49 | | | | | 44 | 43 | 42 | 41 | | | | | | | | | 36 | | 19 | 18 |
| | | | | | | 73 | | | 32 | | | 29 | 28 | 27 | 26 | | | | | | | | | | | | | 3 | |
| SALEABLE | NOT APPLICABLE | 34566-3243 | 0 | C | BLUE | 72 | | 70 | | | | 66 | | | 63 | 62 | | | | 59 | | 57 | | | | | | | |
| | | | | | | 52 | 51 | | | | | 46 | | 44 | | 42 | | 40 | 39 | | | | | | | | 34 | 33 | |
| | | | | | | 73 | | | 32 | | 30 | | | | 26 | 25 | | | 22 | 21 | | | | | | | | | |
| SALEABLE | NOT APPLICABLE | 34566-3253 | 0 | A | BLACK | 70 | 69 | | | | | | | | 63 | | | | | | 58 | | 56 | 55 | 54 | 53 | | | |
| | | | | | | 52 | 51 | | 49 | | | | | 44 | 43 | 42 | 41 | | | | | | | | | 36 | | 19 | 18 |
| | | | | | | 73 | | | 32 | | | | | 28 | | 26 | | | | | | | | | | | | 3 | |
| SALEABLE | NOT APPLICABLE | 34566-3263 | 0 | C | BLUE | 72 | | 70 | | | | 66 | | | 63 | 62 | | | | 59 | | 57 | 56 | 55 | 54 | 53 | | | |
| | | | | | | 52 | 51 | | | | | 46 | | 44 | | 42 | | 40 | 39 | | | | | | | | 34 | 33 | |
| | | | | | | 73 | | | 32 | | 30 | | | | 26 | 25 | | | 22 | 21 | | | | | | | 19 | 18 | |
| SALEABLE | NOT APPLICABLE | 34566-3273 | 0 | A | BLACK | 70 | 69 | | | | | | | | 63 | | | | | | 58 | | 56 | 55 | 54 | 53 | | | |
| | | | | | | 52 | 51 | | 49 | | | | | 44 | 43 | 42 | 41 | | | | | | | | | 36 | | 19 | 18 |
| | | | | | | 73 | | | 32 | | | | | 28 | | 26 | | | | | | | | | | | | 3 | |
| SALEABLE | NOT APPLICABLE | 34566-3283 | 0 | C | BLUE | 72 | | 70 | | | | 66 | | | 63 | 62 | | | | 59 | | 57 | 56 | 55 | 54 | 53 | | | |
| | | | | | | 52 | 51 | | | | | 46 | | 44 | | 42 | | 40 | 39 | | | | | | | | 34 | 33 | |
| | | | | | | 73 | | | | | 30 | | | | 26 | 25 | | | 22 | 21 | | | | | | | | 19 | 18 |
| SALEABLE | NOT APPLICABLE | 34566-3293 | 0 | B | ST GRAY | 72 | 71 | 70 | | 68 | 67 | 66 | | | | 62 | 61 | 60 | 59 | 58 | 57 | 56 | 55 | 54 | 53 | | | | |
| | | | | | | 52 | 51 | 50 | | 48 | 47 | | | | 42 | 41 | 40 | 39 | 38 | 37 | 36 | 35 | 34 | 33 | | | | | |
| | | | | | | 73 | | | 32 | 31 | 30 | 29 | 28 | 27 | 26 | 25 | 24 | 23 | | | | | | | | | | | |
| SALEABLE | NOT APPLICABLE | 34566-3313 | 0 | C | BLUE | 72 | | 70 | | | | | | | 63 | 62 | | | | 59 | | 57 | | | | 53 | | | |
| | | | | | | 52 | 51 | | | | | 46 | | 44 | | 42 | | 40 | 39 | | | | | | | | 34 | 33 | |
| | | | | | | 73 | | | 32 | | 30 | | | | 26 | 25 | | | 22 | 21 | | | | | | | | | |
| SALEABLE | NOT APPLICABLE | 34566-3323 | 0 | B | ST GRAY | | | | 49 | 68 | 67 | 66 | 65 | 64 | 63 | | | | | 58 | | | | 55 | | | | | |
| | | | | | | | | | | 48 | | 46 | 45 | 44 | 43 | | | | | 38 | | | | | | | | | |
| | | | | | | 73 | | | 32 | | 30 | 29 | 28 | 27 | | | | | 22 | | | | | | | | | | 17 |
| SALEABLE | NOT APPLICABLE | 34566-3333 | 0 | A | BLACK | 72 | 71 | 70 | 69 | 68 | | | 65 | 64 | 63 | | 61 | | 59 | 58 | 57 | 56 | | | 54 | | | | |
| | | | | | | 52 | 51 | 50 | 49 | | 47 | | | | 42 | 41 | | | 38 | 37 | 36 | | | 34 | 33 | | | | |
| | | | | | | 73 | | | 32 | 31 | 30 | 29 | 28 | 27 | 26 | | 24 | 23 | | | | | 20 | 19 | 18 | 17 | | | |
| SALEABLE | NOT APPLICABLE | 34566-3343 | 0 | A | BLACK | 72 | | | 69 | 68 | 67 | 66 | 65 | 64 | 63 | | | | | 59 | 58 | 57 | 56 | | | 54 | | | |
| | | | | | | | | | 49 | | 47 | | | 44 | 43 | 42 | | 40 | | | | 37 | 36 | 35 | | | 34 | 33 | |
| | | | | | | 73 | | | | 31 | 30 | 29 | 28 | | 26 | | 24 | | | | | 21 | 20 | | | | | 17 | |
| SALEABLE | NOT APPLICABLE | 34566-3353 | 0 | B | ST GRAY | | | | | 68 | 67 | | | 64 | | | | | 59 | 58 | | | | | 54 | | | | |
| | | | | | | | | | | | | 46 | 45 | | | | | | 39 | 38 | | | | | | | | | |
| | | | | | | 73 | | | 32 | | 30 | 29 | 28 | 27 | | | | 8 | | | | | | | | | | | 17 |
| SALEABLE | NOT APPLICABLE | 34566-3363 | 0 | A | BLACK | | 71 | | 69 | 68 | | | 65 | 64 | 63 | | 61 | | 59 | | 57 | 56 | | | 54 | | | | |
| | | | | | | 52 | | 50 | 49 | | 47 | | | | 42 | 41 | 40 | 39 | 38 | 37 | 36 | | | 34 | 33 | | | | |
| | | | | | | 73 | | | 32 | 31 | 30 | 29 | 28 | 27 | 26 | | 24 | 23 | 22 | | | 20 | 19 | 18 | 17 | | | | |
| SALEABLE | NOT APPLICABLE | 34566-3373 | 9 | C | BLUE | 72 | | 70 | | 68 | 67 | 66 | | | 63 | 62 | | | | 59 | | 57 | 56 | 55 | 54 | 53 | | | |
| | | | | | | 52 | 51 | | | 48 | 47 | 46 | | 44 | | 42 | | 40 | 39 | 38 | | | | | | | 34 | 33 | |
| | | | | | | 73 | | | 32 | | 30 | | | | 26 | 25 | | | 22 | 21 | | | | | | | 19 | 18 | |
| SALEABLE | NOT APPLICABLE | 34566-3383 | 0 | A | BLACK | | | 70 | 69 | 68 | | | 65 | 64 | 63 | | 61 | | 59 | 58 | 57 | 56 | | | 54 | | | | |
| | | | | | | 52 | | 50 | 49 | 48 | 47 | | | | 42 | 41 | | | 38 | 37 | 36 | | | 34 | 33 | | | | |
| | | | | | | 73 | | | 32 | 31 | 30 | 29 | 28 | 27 | 26 | | 24 | 23 | | | | 20 | 19 | 18 | 17 | | | | 1 |

MX123 52/66/73/80-WAY RECEPTACLE ASSY SEALED PIN OUT SHEET

| STATUS | GM PART # | HRNS CONN ASSY | | | TPA | GROMMET CAP | | | | | | | | | | | | | | | | | | | | |
|----------|----------------|----------------|-------------------|------------------|--------------------|---|----|----|----|----|----|----|----|----|----|----|----|----|----|----|----|----|----|----|----|----|
| | | MATERIAL/PART | WIRE DRESS OPTION | KEY OPTION Fp | COLOR OPTION Fp | NUMBERS INDICATE CAVITIES OPEN FOR CIRCUITS | | | | | | | | | | | | | | | | | | | | |
| | | NUMBER | | | | Fp | | | | | | | | | | | | | | | | | | | | |
| SALEABLE | NOT APPLICABLE | 34566-3733 | 0 | B | ST GRAY | 72 | 71 | 70 | | 68 | 67 | 66 | | | | 62 | 61 | 60 | 59 | 58 | 57 | 56 | 55 | 54 | 53 | |
| | | | | | | 52 | 51 | 50 | | 48 | 47 | 46 | | | | 42 | 41 | 40 | 39 | 38 | 37 | 36 | 35 | 34 | 33 | |
| | | | | | | 73 | | | | 32 | 31 | 30 | 29 | 28 | 27 | 26 | 25 | 24 | 23 | | | | | | | |
| SALEABLE | NOT APPLICABLE | 34566-3743 | 0 | C | BLUE | 72 | | 70 | | 68 | | 66 | | | 63 | 62 | | | 59 | | 57 | | | 53 | | |
| | | | | | | 52 | 51 | | | 48 | 47 | 46 | | 44 | | 42 | | 40 | 39 | 38 | | | | | 34 | 33 |
| | | | | | | 73 | | | | 32 | | 30 | | | 27 | 26 | 25 | | | 22 | 21 | | | | | |
| SALEABLE | NOT APPLICABLE | 34566-3753 | 0 | C | BLUE | 72 | | 70 | | 68 | | 66 | | | 63 | 62 | | | 59 | | 57 | | | 53 | | |
| | | | | | | 52 | 51 | | | 48 | 47 | 46 | | 44 | | 42 | | 40 | 39 | | | | | | 34 | 33 |
| | | | | | | 73 | | | | 32 | | 30 | | | 27 | 26 | 25 | | | 22 | 21 | | | | | |
| SALEABLE | NOT APPLICABLE | 34566-3763 | 0 | C | BLUE | 72 | | 70 | | 68 | | 66 | | | 63 | 62 | | | 59 | | 57 | 56 | 55 | 54 | 53 | |
| | | | | | | 52 | 51 | | | 48 | 47 | 46 | | 44 | | 42 | | 40 | 39 | | | | | | 34 | 33 |
| | | | | | | 73 | | | | 32 | | 30 | | | 27 | 26 | 25 | | | 22 | 21 | | | | | |
| SALEABLE | NOT APPLICABLE | 34566-3773 | 0 | A | BLACK | | | 70 | 69 | | | | | | 63 | | | | 58 | | 56 | 55 | 54 | 53 | | |
| | | | | | | 52 | 51 | 50 | 49 | | | | | 44 | 43 | 42 | 41 | | 39 | | | | | 36 | | 34 |
| | | | | | | 73 | | | | 32 | | | | | 28 | | 26 | | | | | | | | 19 | 18 |
| SALEABLE | NOT APPLICABLE | 34566-3783 | 0 | A | BLACK | | | 70 | 69 | | | | | | 63 | | | | 58 | | 56 | 55 | 54 | 53 | | |
| | | | | | | 52 | 51 | 50 | 49 | | | | | 44 | 43 | 42 | 41 | | 39 | | | | | 36 | | 34 |
| | | | | | | 73 | | | | 32 | | | | | 28 | | 26 | | | | | | | | 19 | 18 |
| SALEABLE | NOT APPLICABLE | 34566-3793 | 0 | A | BLACK | | 71 | 70 | | | | | | 64 | 63 | | | 60 | | 58 | 57 | 56 | 55 | 54 | 53 | |
| | | | | | | 52 | 51 | | 49 | | | | 45 | 44 | 43 | 42 | 41 | | | | 37 | 36 | | | 34 | |
| | | | | | | 73 | | | | 32 | | 30 | | | 28 | | 26 | | 23 | | 21 | | | | 19 | 18 |
| SALEABLE | NOT APPLICABLE | 34566-3813 | 0 | C | BLUE | 72 | | 70 | | 68 | | 66 | | | 63 | 62 | | | 59 | | 57 | | | 53 | | |
| | | | | | | 52 | 51 | | | 48 | 47 | 46 | | 44 | | 42 | | 40 | 39 | 38 | 37 | 36 | | | 34 | 33 |
| | | | | | | 73 | | | | 32 | | 30 | | | 26 | 25 | 24 | | | 22 | 21 | 20 | | | | |
| SALEABLE | NOT APPLICABLE | 34566-3823 | 0 | A | BLACK | | | 70 | 69 | | | | | | 63 | | 61 | | 58 | 57 | 56 | 55 | 54 | 53 | | |
| | | | | | | 52 | 51 | | 49 | | | | 44 | 43 | 42 | 41 | | | | 37 | 36 | | | 34 | | |
| | | | | | | 73 | | | | 32 | | | | | 27 | 26 | | | | | | | | 19 | 18 | |
| SALEABLE | NOT APPLICABLE | 34566-3833 | 0 | A | BLACK | | | 70 | 69 | | | | | | 63 | 62 | 61 | | | 57 | 56 | 55 | 54 | 53 | | |
| | | | | | | 52 | 51 | | 49 | | | | 44 | 43 | 42 | 41 | | | | 37 | 36 | | | 34 | | |
| | | | | | | 73 | | | | 32 | | | 29 | 28 | 27 | 26 | | | 23 | | | | | 19 | 18 | |
| SALEABLE | NOT APPLICABLE | 34566-3843 | 0 | A | BLACK | 72 | 71 | 70 | 69 | 68 | 67 | 66 | | | 64 | 63 | 62 | | 60 | 59 | | | 55 | 54 | 53 | |
| | | | | | | 52 | | | 49 | 48 | | | | 44 | 43 | 42 | 41 | 40 | 39 | | | | | 35 | 34 | 33 |
| | | | | | | 73 | | | | 32 | | | 29 | 28 | 27 | | 25 | 24 | 23 | | | | | 19 | 18 | 17 |
| SALEABLE | NOT APPLICABLE | 34566-3853 | 0 | A | BLACK | 72 | 71 | 70 | 69 | 68 | 67 | 66 | 65 | 64 | 63 | 62 | | 60 | 59 | | | 55 | 54 | 53 | | |
| | | | | | | 52 | | | 49 | 48 | | | 45 | 44 | 43 | 42 | 41 | 40 | 39 | | | | | 35 | 34 | 33 |
| | | | | | | 73 | | | | 32 | | | 29 | 28 | 27 | | 25 | 24 | 23 | | | | | 19 | 18 | 17 |
| SALEABLE | NOT APPLICABLE | 34566-3863 | 0 | B | ST GRAY | | | | | 67 | 66 | | | | | | | 59 | 58 | 57 | 56 | 55 | | 53 | | |
| | | | | | | | | 50 | 49 | 48 | | | 45 | | | | | | 39 | 38 | 37 | 36 | 35 | 34 | 33 | |
| | | | | | | 73 | | | | 32 | 31 | 30 | 29 | 28 | 27 | 26 | 25 | 24 | | | | | | | | 2 |
| SALEABLE | NOT APPLICABLE | 34566-3873 | 0 | B | ST GRAY | | | | | | | | | | 63 | | | | 59 | 58 | 57 | 56 | 55 | | | |
| | | | | | | | | 50 | 49 | 48 | | | 45 | | | | | | 39 | 38 | 37 | 36 | 35 | 34 | | |
| | | | | | | 73 | | | | 16 | 15 | 14 | 13 | | | | | | 7 | 6 | 5 | 4 | 3 | | | |
| SALEABLE | NOT APPLICABLE | 34566-3883 | 0 | B | ST GRAY | | | | | 67 | 66 | | | | | | | 59 | 58 | 57 | 56 | 55 | | 53 | | |
| | | | | | | | | 50 | 49 | 48 | | | 45 | | | | | | 39 | 38 | 37 | 36 | 35 | 34 | 33 | |
| | | | | | | 73 | | | | 16 | 15 | 14 | 13 | | | | | | 8 | 7 | 6 | 5 | 4 | 3 | | |

MX123 52/66/73/80-WAY RECEPTACLE ASSY SEALED PIN OUT SHEET

| STATUS | GM PART # | HRNS CONN ASSY | | | TPA | GROMMET CAP | | | | | | | | | | | | | | | | | | | | | | | | |
|----------|----------------|----------------|-------------------|------------------|--------------------|---|----|----|----|----|----|----|----|----|----|----|----|----|----|----|----|----|----|----|----|----|----|----|----|----|
| | | MATERIAL/PART | WIRE DRESS OPTION | KEY OPTION Fp | COLOR OPTION Fp | NUMBERS INDICATE CAVITIES OPEN FOR CIRCUITS | | | | | | | | | | | | | | | | | | | | | | | | |
| | | NUMBER | | | | Fp | | | | | | | | | | | | | | | | | | | | | | | | |
| SALEABLE | NOT APPLICABLE | 34566-4063 | 0 | B | ST GRY | | | | | 68 | 67 | | | 64 | | | | | 59 | 58 | | | | | 54 | | | | | |
| | | | | | | | | | | | | | | | | | | | | | | | | | | | | | | |
| | | | | | | | | | | | | | | | | | | | | | | | | | | | | | | |
| SALEABLE | NOT APPLICABLE | 34566-4073 | 0 | A | BLACK | 72 | | | 70 | | | | | 66 | | | 63 | 62 | | | 59 | | 57 | 56 | 55 | | 53 | | | |
| | | | | | | 52 | 51 | | | | | 46 | | 44 | | 42 | | 40 | 39 | | 37 | 36 | | | | | 34 | 33 | | |
| | | | | | | | | | | | | | | | | | | | | | | | | | | | | | | |
| SALEABLE | NOT APPLICABLE | 34566-4083 | 0 | C | BLUE | 72 | | | 70 | | | | | 68 | | | 63 | 62 | | | 59 | 58 | 57 | | | | 53 | | | |
| | | | | | | 52 | 51 | | | | | 48 | 47 | | | 44 | | 42 | | 40 | 39 | 38 | 37 | 36 | | | 34 | 33 | | |
| | | | | | | | | | | | | | | | | | | | | | | | | | | | | | | |
| SALEABLE | NOT APPLICABLE | 34566-4093 | 0 | A | BLACK | | 71 | 70 | 69 | | | | | 67 | | | 64 | 63 | | | 60 | | | 57 | 56 | 55 | 54 | 53 | | |
| | | | | | | 52 | 51 | | 49 | | | | 47 | | 45 | 44 | 43 | 42 | 41 | | | | | | | | | | | |
| | | | | | | | | | | | | | | | | | | | | | | | | | | | | | | |
| SALEABLE | NOT APPLICABLE | 34566-4113 | 0 | B | ST GRY | | | | | | | | | 68 | 67 | | | 64 | | | | | | | | | 58 | | | |
| | | | | | | | | | | | | | | | | | | | | | | | | | | | | | | |
| | | | | | | | | | | | | | | | | | | | | | | | | | | | | | | |
| SALEABLE | NOT APPLICABLE | 34566-4123 | 9 | A | BLACK | 72 | | | | 69 | | | | 67 | 66 | 65 | | 63 | | | 60 | | | 57 | 56 | | 53 | | | |
| | | | | | | | | | 49 | | | | 47 | 46 | | 44 | 43 | 42 | | 40 | | | | | | | | | | |
| | | | | | | | | | | | | | | | | | | | | | | | | | | | | | | |
| SALEABLE | NOT APPLICABLE | 34566-4133 | 9 | B | ST GRY | | | | | | | | | 68 | 67 | | | 64 | | | | | 59 | 58 | | | 54 | | | |
| | | | | | | | | | | | | | | | | | | | | | | | | | | | | | | |
| | | | | | | | | | | | | | | | | | | | | | | | | | | | | | | |
| SALEABLE | NOT APPLICABLE | 34566-4143 | 0 | B | ST GRY | | | | | | | | | 68 | 67 | | | 64 | | | | | 59 | 58 | | | 54 | | | |
| | | | | | | | | | | | | | | | | | | | | | | | | | | | | | | |
| | | | | | | | | | | | | | | | | | | | | | | | | | | | | | | |
| SALEABLE | NOT APPLICABLE | 34566-4153 | 0 | B | ST GRY | 72 | | | 70 | | | | | 68 | | | 66 | | | | 60 | 59 | | | | 55 | 54 | 53 | | |
| | | | | | | 52 | | | 50 | | | | 48 | | 46 | | 44 | | | | 40 | 39 | | | | | | 35 | 34 | 33 |
| | | | | | | | | | | | | | | | | | | | | | | | | | | | | | | |
| SALEABLE | NOT APPLICABLE | 34566-4163 | 0 | B | ST GRY | 72 | | | 70 | | | | | 68 | | | 66 | | | | 60 | 59 | | | | 55 | 54 | 53 | | |
| | | | | | | 52 | | | 50 | | | | 48 | | 46 | | | | | 40 | 39 | | | | | | | 35 | 34 | 33 |
| | | | | | | | | | | | | | | | | | | | | | | | | | | | | | | |
| SALEABLE | NOT APPLICABLE | 34566-4173 | 0 | A | BLACK | 72 | 71 | 70 | 69 | | | | | | | 64 | 63 | | | 60 | 59 | 58 | | | 56 | 55 | 54 | 53 | | |
| | | | | | | 52 | 51 | | 49 | | | | 47 | | 45 | 44 | 43 | 42 | 41 | | | | | | | | | | | |
| | | | | | | | | | | | | | | | | | | | | | | | | | | | | | | |
| SALEABLE | NOT APPLICABLE | 34566-4183 | 0 | C | BLUE | 72 | | | 70 | | | | | 68 | | | 66 | | | 63 | 62 | | | 59 | 58 | 57 | | 53 | | |
| | | | | | | 52 | 51 | | | | | 48 | 47 | 46 | | 44 | | 42 | | 40 | 39 | | | | | | | | 34 | 33 |
| | | | | | | | | | | | | | | | | | | | | | | | | | | | | | | |
| SALEABLE | NOT APPLICABLE | 34566-4193 | 0 | C | BLUE | | 71 | | 69 | | | | | | | 65 | 64 | | | 61 | 60 | | | 58 | | 56 | 55 | 54 | | |
| | | | | | | | | | 49 | | | | | | 45 | | 43 | | 41 | | | | | | | | | | | |
| | | | | | | | | | | | | | | | | | | | | | | | | | | | | | | |
| SALEABLE | NOT APPLICABLE | 34566-4213 | 0 | A | BLACK | 72 | 71 | | | | | | | 68 | 67 | 66 | 65 | 64 | | | 60 | 59 | 58 | | | | | | | |
| | | | | | | | | | 50 | | | | 48 | 47 | 46 | 45 | | | | | | 40 | 39 | 38 | | | | | 35 | |
| | | | | | | | | | | | | | | | | | | | | | | | | | | | | | | |
| SALEABLE | NOT APPLICABLE | 34566-4223 | 0 | A | BLACK | 72 | 71 | | | | | | | 68 | 67 | 66 | 65 | 64 | | | 60 | 59 | | | | | | | | |
| | | | | | | | | | 50 | | | | 48 | 47 | 46 | 45 | | | | | | 40 | 39 | 38 | | | | | 35 | 33 |
| | | | | | | | | | | | | | | | | | | | | | | | | | | | | | | |

MX123 52/66/73/80-WAY RECEPTACLE ASSY SEALED PIN OUT SHEET

| STATUS | GM PART # | HRNS CONN ASSY | | | TPA | GROMMET CAP | | | | | | | | | | | | | | | | | | | | | | | |
|----------|----------------|----------------|-------------------|------------------|--------------------|---|----|----|----|----|----|----|----|----|----|----|----|----|----|----|----|----|----|----|----|----|----|----|----|
| | | MATERIAL/PART | WIRE DRESS OPTION | KEY OPTION Fp | COLOR OPTION Fp | NUMBERS INDICATE CAVITIES OPEN FOR CIRCUITS | | | | | | | | | | | | | | | | | | | | | | | |
| | | NUMBER | | | | Fp | | | | | | | | | | | | | | | | | | | | | | | |
| SALEABLE | NOT APPLICABLE | 34566-4393 | 0 | G | BLUE | | | 78 | 77 | | 75 | 74 | | 72 | | 70 | 69 | | 67 | | 65 | 64 | 63 | 62 | | | | | |
| | | | | | | 60 | | 58 | 57 | | 55 | 54 | | 52 | 51 | 50 | 49 | | 47 | | 45 | | | | | | | | |
| | | | | | | 40 | | 38 | 37 | | | | | 33 | 32 | 31 | | | | 27 | 26 | 25 | 24 | | | | | | |
| | | | | | | 20 | | 18 | 17 | | | | | | | | | 10 | 9 | 8 | | 6 | 5 | | | 3 | 2 | 1 | |
| SALEABLE | NOT APPLICABLE | 34566-4413 | 0 | B | ST GRAY | | | | | | | | | 63 | | | 59 | 58 | 57 | 56 | 55 | | 53 | | | | | | |
| | | | | | | | | 50 | 49 | 48 | | 46 | | 43 | | | 39 | 38 | 37 | 36 | 35 | 34 | 33 | | | | | | |
| | | | | | | 73 | | | | | | | 29 | | 27 | | | | 23 | 22 | 21 | | | | 18 | | | | |
| | | | | | | | | | | 16 | 15 | 14 | | | | | | | | 7 | 6 | 5 | 4 | 3 | | | | | |
| SALEABLE | NOT APPLICABLE | 34566-4423 | 9 | C | BLUE | 72 | | 70 | | 68 | 67 | 66 | | 63 | 62 | | 59 | | 57 | | | | | | 53 | | | | |
| | | | | | | 52 | 51 | | | 48 | 47 | 46 | | 44 | | 42 | | 40 | 39 | 38 | 37 | 36 | | | 34 | 33 | | | |
| | | | | | | 73 | | | | | | | | 32 | | 30 | | | 27 | 26 | 25 | 24 | | 22 | 21 | | | | |
| | | | | | | | | | | | | 15 | 14 | | | | | 10 | 9 | 8 | | 6 | 5 | 4 | | | 2 | | |
| SALEABLE | NOT APPLICABLE | 34566-4433 | 9 | A | BLACK | | | 70 | 69 | | | | | 63 | 62 | 61 | 60 | | 58 | 57 | 56 | 55 | 54 | 53 | | | | | |
| | | | | | | 52 | 51 | 50 | 49 | | | | 44 | 43 | 42 | 41 | 40 | | | 37 | 36 | | | | 34 | 33 | | | |
| | | | | | | 73 | | | | | | | | 32 | | | 29 | 28 | 27 | 26 | | | | | | 19 | 18 | | |
| | | | | | | | | | | 16 | 15 | 14 | 13 | 12 | 11 | 10 | | | | | | | | | | | 3 | | |
| SALEABLE | NOT APPLICABLE | 34566-4443 | 9 | A | BLACK | | | | | | 67 | 66 | | | | | | | | | | | | | | | | | |
| | | | | | | | | | | 48 | 47 | | | | | | 41 | | | | | | | | | | | | |
| | | | | | | 73 | | | | | | | | 32 | 31 | 30 | 29 | | 27 | 26 | 25 | | | 22 | 21 | | 19 | 18 | 17 |
| | | | | | | | | | | 16 | 15 | 14 | 13 | | | | | | | | | | | | | | | | 1 |
| SALEABLE | NOT APPLICABLE | 34566-4453 | 0 | A | BLACK | 72 | 71 | 70 | 69 | | | | | 63 | 62 | 61 | 60 | 59 | 58 | 57 | 56 | 55 | 54 | 53 | | | | | |
| | | | | | | 52 | 51 | 50 | 49 | 48 | | 46 | 45 | 44 | 43 | 42 | 41 | 40 | 39 | 38 | 37 | 36 | 35 | 34 | 33 | | | | |
| | | | | | | 73 | | | | | | | | | | 28 | | | | 24 | 23 | | | | | 20 | | | |
| | | | | | | | | | | | | | | | 12 | 11 | | | | | | | | | | | 2 | 1 | |
| SALEABLE | NOT APPLICABLE | 34566-4463 | 9 | B | ST GRAY | | | | | | | | | 63 | | | | | | | | | | 53 | | | | | |
| | | | | | | | | | | 48 | 47 | | 45 | | 43 | 42 | | 39 | | | | | | 35 | 34 | 33 | | | |
| | | | | | | 73 | | | | | | | | | | | | 11 | | | | | | | | 19 | | 1 | |
| | | | | | | | | | | | | | | | | | | | | | | | | | | | | | |
| SALEABLE | NOT APPLICABLE | 34566-4473 | 0 | B | ST GRAY | | | | | | | | 64 | 63 | 62 | | 59 | 58 | | | | | | 53 | | | | | |
| | | | | | | | | | | | | 47 | | 45 | | 43 | 42 | | 39 | | | | | | 35 | 34 | 33 | | |
| | | | | | | 73 | | | | | | | | | | | | | 26 | 25 | | 23 | 22 | | | | | | |
| | | | | | | | | | | | | | | | | | | | | | | | | | | | 3 | 1 | |
| SALEABLE | NOT APPLICABLE | 34566-4483 | 9 | C | BLUE | 72 | | 70 | | 68 | 67 | 66 | | 63 | 62 | | 59 | 58 | 57 | 56 | 55 | | | 53 | | | | | |
| | | | | | | 52 | 51 | | 49 | 48 | 47 | 46 | | 44 | | | 40 | 39 | 38 | 37 | 36 | | | 34 | 33 | | | | |
| | | | | | | 73 | | | | | | | | 32 | | 30 | | | 27 | 26 | 25 | 24 | 23 | 22 | 21 | 20 | 19 | 18 | 17 |
| | | | | | | | | | | | | 15 | 14 | 13 | | | | 10 | 9 | 8 | 7 | 6 | 5 | 4 | 3 | 2 | 1 | | |
| SALEABLE | NOT APPLICABLE | 34566-4493 | 9 | A | BLACK | 72 | 71 | 70 | 69 | | | | 64 | 63 | 62 | 61 | 60 | 59 | 58 | 57 | 56 | 55 | 54 | 53 | | | | | |
| | | | | | | 52 | 51 | 50 | 49 | 48 | 47 | | 45 | 44 | 43 | 42 | 41 | 40 | 39 | | 37 | 36 | | | 34 | | | | |
| | | | | | | 73 | | | | | | | | 32 | | 30 | 29 | 28 | 27 | 26 | | 24 | 23 | | 21 | | 19 | 18 | 17 |
| | | | | | | | | | | 16 | 15 | 14 | 13 | 12 | 11 | 10 | | | | 8 | | | 5 | | | 3 | 2 | 1 | |
| SALEABLE | NOT APPLICABLE | 34566-4513 | 9 | B | ST GRAY | 72 | 71 | 70 | | 68 | 67 | 66 | | | | 62 | 61 | 60 | 59 | 58 | 57 | 56 | 55 | 54 | 53 | | | | |
| | | | | | | 52 | 51 | 50 | | 48 | 47 | 46 | | | | 42 | 41 | 40 | 39 | 38 | 37 | 36 | 35 | 34 | 33 | | | | |
| | | | | | | 73 | | | | | | | | 32 | 31 | 30 | 29 | 28 | 27 | 26 | 25 | 24 | 23 | | | | 19 | 18 | 17 |
| | | | | | | | | | | 16 | 15 | 14 | 13 | | | | | 10 | | 8 | 7 | | | | | 3 | 2 | 1 | |
| SALEABLE | NOT APPLICABLE | 34566-4523 | 0 | G | BLUE | | | 78 | 77 | | 75 | 74 | | 72 | | 70 | 69 | | 67 | | 65 | 64 | 63 | 62 | | | | | |
| | | | | | | 60 | | 58 | 57 | | 55 | 54 | | 52 | 51 | 50 | 49 | | 47 | | 45 | | | | | | | | |
| | | | | | | 40 | | 38 | 37 | | | | | | | 31 | | | | 27 | 26 | 25 | 24 | | | | | | |
| | | | | | | 20 | | 18 | 17 | | | | | | | | | 10 | 9 | 8 | | 6 | 5 | | | 3 | 2 | 1 | |
| SALEABLE | NOT APPLICABLE | 34566-4533 | 0 | A | BLACK | 72 | | | 69 | | 67 | | 65 | | 63 | | 60 | | | 57 | 56 | | | | 53 | | | | |
| | | | | | | | | | 49 | | 47 | | | 44 | 43 | | | 40 | | | 37 | 36 | 35 | | | 33 | | | |
| | | | | | | 73 | | | | | | | | | | 31 | 30 | 29 | 28 | | | 24 | | | 21 | 20 | | 17 | |
| | | | | | | | | | | 16 | 15 | 14 | 13 | | | | 11 | 10 | | | | | 5 | 4 | 3 | 2 | 1 | | |
| SALEABLE | NOT APPLICABLE | 34566-4543 | 0 | B | ST GRAY | | | | | 68 | 67 | | | 64 | 63 | | | 58 | 57 | | 55 | | | 53 | | | | | |
| | | | | | | | | | | | | 46 | 45 | | 43 | | | | | 38 | 37 | | | 35 | | | | | |
| | | | | | | 73 | | | | | | | | 32 | | 30 | 29 | 28 | 27 | | | | | | | 19 | | 17 | |
| | | | | | | | | | | | | | | | | | 12 | | 10 | | | | | | | | | 1 | |
| SALEABLE | NOT APPLICABLE | 34566-4553 | 0 | B | ST GRAY | | | | | 68 | 67 | | | 64 | 63 | | | 58 | 57 | | | | | 53 | | | | | |
| | | | | | | | | | | | | 46 | 45 | | 43 | | | | | 38 | 37 | | | | | | | | |
| | | | | | | 73 | | | | | | | | 32 | | 30 | 29 | 28 | 27 | | | | | | | 22 | 21 | | 17 |
| | | | | | | | | | | | | | | | | | | | 12 | | 10 | | | | | | | | |

MX123 52/66/73/80-WAY RECEPTACLE ASSY SEALED PIN OUT SHEET

| STATUS | GM PART # | HRNS CONN ASSY | | | TPA | GROMMET CAP | | | | | | | | | | | | | | | | | | | | | | |
|----------|----------------|----------------|-------------------|------------------|--------------------|---|----|----|----|----|----|----|----|----|----|----|----|----|----|----|----|----|----|----|----|----|----|----|
| | | MATERIAL/PART | WIRE DRESS OPTION | KEY OPTION Fp | COLOR OPTION Fp | NUMBERS INDICATE CAVITIES OPEN FOR CIRCUITS | | | | | | | | | | | | | | | | | | | | | | |
| | | NUMBER | | | | Fp | | | | | | | | | | | | | | | | | | | | | | |
| SALEABLE | NOT APPLICABLE | 34566-4733 | 0 | A | BLACK | 72 | 71 | 70 | 69 | | | | | 64 | 63 | | | 60 | 59 | 58 | | 56 | 55 | 54 | 53 | | | |
| | | | | | | 52 | 51 | | 49 | | 47 | | 45 | 44 | 43 | 42 | 41 | | | | | | 21 | | 36 | | 19 | 18 |
| | | | | | | 73 | | | | 32 | | 30 | | 28 | | 26 | | | | | | | 8 | | 5 | | 3 | |
| SALEABLE | NOT APPLICABLE | 34566-4743 | 9 | A | BLACK | 72 | 71 | 70 | 69 | | 67 | | 65 | 64 | 63 | 62 | 61 | 60 | 59 | 58 | 57 | 56 | 55 | 54 | 53 | | | |
| | | | | | | 52 | 51 | 50 | 49 | 48 | 47 | | 45 | 44 | 43 | 42 | 41 | 40 | 39 | | 37 | 36 | | | | 34 | | |
| | | | | | | 73 | | | | 32 | | 30 | 29 | 28 | 27 | 26 | | 24 | 23 | | 21 | | | | 19 | 18 | 17 | |
| SALEABLE | NOT APPLICABLE | 34566-4753 | 0 | B | ST GRAY | | | | | 68 | 67 | | | 64 | | | | | | 58 | | | | | | | | |
| | | | | | | | | | | | 46 | 45 | | | | | | | | | | 38 | | | | | | |
| | | | | | | 73 | | | | 32 | | 30 | 29 | 28 | 27 | | | | | | 22 | | | | | | | 17 |
| SALEABLE | NOT APPLICABLE | 34566-4763 | 0 | B | ST GRAY | | | | | 68 | 67 | | | 64 | | | | | | | | | | | | | | |
| | | | | | | | | | | | 46 | 45 | | | | | | | | | | | | | | | | |
| | | | | | | 73 | | | | 32 | | 30 | 29 | 28 | 27 | | | | | | | | | | | | | 17 |
| SALEABLE | NOT APPLICABLE | 34566-4773 | 0 | B | ST GRAY | | | | | 68 | 67 | | | 64 | | | | 59 | 58 | | | | | 54 | | | | |
| | | | | | | | | | | | 46 | 45 | | | | | | | 39 | 38 | | | | | | | | |
| | | | | | | 73 | | | | 32 | | 30 | 29 | 28 | 27 | | | | 23 | 22 | | | | | | | | 17 |
| SALEABLE | NOT APPLICABLE | 34566-4783 | 0 | B | ST GRAY | | | | | 68 | 67 | | | 64 | 63 | | | | | 58 | | | | 55 | | | | |
| | | | | | | | | | | | 46 | 45 | | 43 | | | | | | | 38 | | | | | 35 | | |
| | | | | | | 73 | | | | 32 | | 30 | 29 | 28 | 27 | | | | | | 22 | | | | | | 19 | 17 |
| SALEABLE | NOT APPLICABLE | 34566-4793 | 0 | B | ST GRAY | | | | | 68 | 67 | | | 64 | 63 | | | | | 58 | | | | | | | | |
| | | | | | | | | | | | 46 | 45 | | 43 | | | | | | | 38 | | | | | | | |
| | | | | | | 73 | | | | 32 | | 30 | 29 | 28 | 27 | | | | 10 | | | | 6 | | | | | 17 |
| SALEABLE | NOT APPLICABLE | 34566-4813 | 9 | B | ST GRAY | | | | | 68 | 67 | | | 64 | | | | 59 | 58 | | | | | 54 | | | | |
| | | | | | | | | | | | 46 | 45 | | | | | | | 39 | 38 | | | | | | | | |
| | | | | | | 73 | | | | 32 | | 30 | 29 | 28 | 27 | | | | 10 | 9 | 8 | | 6 | | | | | 17 |
| SALEABLE | NOT APPLICABLE | 34566-4823 | 0 | C | BLUE | | 51 | 50 | 49 | 68 | 67 | 66 | 65 | 64 | | 43 | 42 | 41 | 40 | 39 | 38 | 37 | | 55 | 54 | 53 | | |
| | | | | | | | | | | 32 | 31 | 30 | | | | 26 | | 24 | 23 | 22 | | | | 20 | | | | 33 |
| | | | | | | 73 | | | | 16 | | | 13 | | | 10 | 9 | 8 | 7 | 6 | 5 | 4 | 3 | 2 | | | | |
| SALEABLE | NOT APPLICABLE | 34566-4833 | 0 | C | BLUE | 72 | | 70 | | 68 | 67 | 66 | | | 63 | 62 | | | 59 | | 57 | | | | 53 | | | |
| | | | | | | 52 | 51 | | | 48 | 47 | 46 | | 44 | | 42 | | 40 | 39 | | 37 | 36 | | | | 34 | 33 | |
| | | | | | | 73 | | | | 32 | | 30 | | | 27 | 26 | 25 | 24 | | 22 | 21 | | | | | | | |
| SALEABLE | NOT APPLICABLE | 34566-4843 | 0 | C | BLUE | 72 | | 70 | | 68 | 67 | 66 | | | 63 | 62 | | | 59 | | 57 | | | | 53 | | | |
| | | | | | | 52 | 51 | | | 48 | 47 | 46 | | 44 | | 42 | | 40 | 39 | 38 | 37 | 36 | | | | 34 | 33 | |
| | | | | | | 73 | | | | 32 | | 30 | | | 27 | 26 | 25 | 24 | | 22 | 21 | | | | | | | |
| SALEABLE | NOT APPLICABLE | 34566-4853 | 0 | C | BLUE | 72 | | 70 | | 68 | | 66 | | | 63 | 62 | | | 59 | | 57 | 56 | 55 | | | 53 | | |
| | | | | | | 52 | 51 | | | 48 | 47 | 46 | | 44 | | 42 | | 40 | 39 | | 37 | 36 | | | | 34 | 33 | |
| | | | | | | 73 | | | | 32 | | 30 | | | 27 | 26 | 25 | 24 | | 22 | 21 | | | | 19 | 18 | | |
| SALEABLE | NOT APPLICABLE | 34566-4863 | 0 | C | BLUE | 72 | | 70 | | 68 | | 66 | | | 63 | 62 | | | 59 | | 57 | | | | 53 | | | |
| | | | | | | 52 | 51 | | | 48 | 47 | 46 | | 44 | | 42 | | 40 | 39 | 38 | 37 | 36 | | | | 34 | 33 | |
| | | | | | | 73 | | | | 32 | | 30 | | | 27 | 26 | 25 | 24 | | 22 | 21 | | | | | | | |
| SALEABLE | NOT APPLICABLE | 34566-4873 | 0 | C | BLUE | 72 | | 70 | | 68 | | 66 | | | 63 | 62 | | | 59 | | 57 | | | | 53 | | | |
| | | | | | | 52 | 51 | | | 48 | 47 | 46 | | 44 | | 42 | | 40 | 39 | | 37 | 36 | | | | 34 | 33 | |
| | | | | | | 73 | | | | 32 | | 30 | | | 27 | 26 | 25 | 24 | | 22 | 21 | | | | | | | |
| SALEABLE | NOT APPLICABLE | 34566-4883 | 9 | A | BLACK | 72 | | | 69 | | 67 | | 65 | | 63 | | | 60 | | | 57 | 56 | | | | 53 | | |
| | | | | | | | | | 49 | | 47 | 46 | | 44 | 43 | | | 40 | | | 37 | 36 | 35 | | | | 33 | |
| | | | | | | 73 | | | | 32 | | 30 | 29 | 28 | | | | 24 | | | 21 | 20 | | | | | | 17 |

MX123 52/66/73/80-WAY RECEPTACLE ASSY SEALED PIN OUT SHEET

| STATUS | GM PART # | HRNS CONN ASSY | | | TPA | GROMMET CAP | | | | | | | | | | | | | | | | | | | | | |
|----------|----------------|----------------|-------------------|------------------|--------------------|---|----|----|----|----|----|----|----|----|----|----|----|----|----|----|----|----|----|----|----|----|----|
| | | MATERIAL/PART | WIRE DRESS OPTION | KEY OPTION Fp | COLOR OPTION Fp | NUMBERS INDICATE CAVITIES OPEN FOR CIRCUITS | | | | | | | | | | | | | | | | | | | | | |
| | | NUMBER | | | | Fp | | | | | | | | | | | | | | | | | | | | | |
| SALEABLE | NOT APPLICABLE | 34566-5063 | 9 | H | ST GRAY | 80 | 79 | 78 | 77 | 76 | 75 | 74 | 73 | 72 | 71 | 70 | 69 | 68 | 67 | 66 | 65 | 64 | 63 | 62 | 61 | | |
| | | | | | | 60 | 59 | 58 | 57 | 56 | 55 | 54 | 53 | 52 | 51 | 50 | 49 | 48 | 47 | 46 | 45 | 44 | 43 | 42 | 41 | | |
| | | | | | | 40 | 39 | 38 | 37 | | 35 | 34 | 33 | 32 | | 30 | 29 | | 27 | 26 | | 24 | 23 | 22 | 21 | | |
| | | | | | | 20 | 19 | 18 | 17 | | | 14 | 13 | 12 | 11 | 10 | 9 | 8 | | 6 | 5 | | 3 | 2 | | | |
| SALEABLE | NOT APPLICABLE | 34566-5073 | 9 | A | BLACK | 72 | 71 | 70 | 69 | 68 | 67 | 66 | 65 | 64 | 63 | 62 | 61 | 60 | 59 | 58 | 57 | 56 | 55 | 54 | 53 | | |
| | | | | | | 52 | 51 | 50 | 49 | 48 | 47 | 46 | 45 | 44 | 43 | 42 | 41 | 40 | 39 | 38 | 37 | 36 | | 34 | 33 | | |
| | | | | | | 73 | | | | 32 | 31 | 30 | 29 | 28 | 27 | 26 | | 24 | 23 | 22 | 21 | 20 | 19 | 18 | | | |
| | | | | | | 73 | | | | 16 | | | 13 | 12 | 11 | 10 | 9 | 8 | | | | | | | | 1 | |
| SALEABLE | NOT APPLICABLE | 34566-5083 | 9 | A | BLACK | | | 70 | 69 | | | | | | 63 | 62 | 61 | 60 | | 58 | 57 | 56 | 55 | 54 | 53 | | |
| | | | | | | 52 | 51 | | 49 | | | | 44 | 43 | 42 | 41 | | | 38 | 37 | | | | | 34 | | |
| | | | | | | 73 | | | | 32 | | | 29 | 28 | 27 | 26 | | | 23 | | | | | | 19 | 18 | |
| | | | | | | 73 | | | | 16 | 15 | | 13 | 12 | 11 | 10 | | 8 | | | | | | | 3 | | |
| SALEABLE | NOT APPLICABLE | 34566-5093 | 0 | B | ST GRAY | 72 | 71 | 70 | 69 | 68 | 67 | 66 | 65 | 64 | 63 | 62 | 61 | 60 | 59 | 58 | 57 | 56 | 55 | 54 | 53 | | |
| | | | | | | 52 | 51 | 50 | 49 | 48 | 47 | 46 | 45 | 44 | 43 | 42 | 41 | 40 | 39 | 38 | 37 | 36 | 35 | 34 | 33 | | |
| | | | | | | 73 | | | | | | | 29 | | 27 | | | | 23 | 22 | 21 | | | | | 18 | |
| | | | | | | 73 | | | | 16 | 15 | 14 | 13 | | | | | | 8 | 7 | 6 | 5 | 4 | 3 | | | |
| SALEABLE | NOT APPLICABLE | 34566-5113 | 0 | A | BLACK | 72 | 71 | 70 | 69 | 68 | 67 | 66 | | 64 | 63 | 62 | | 60 | 59 | | | | 55 | 54 | 53 | | |
| | | | | | | 52 | | | 49 | 48 | | | | 44 | 43 | 42 | 41 | 40 | 39 | | | | | 35 | 34 | 33 | |
| | | | | | | 73 | | | | 32 | | | 29 | | 27 | | 25 | 24 | 23 | | | | | | 19 | 18 | 17 |
| | | | | | | 73 | | | | 16 | | | 13 | 12 | 11 | 10 | 9 | 8 | 7 | 6 | 5 | 4 | 3 | 2 | 1 | | |
| SALEABLE | NOT APPLICABLE | 34566-5123 | 9 | C | BLUE | 72 | | 70 | | 68 | 67 | 66 | | | 63 | 62 | | 59 | | 57 | | | | 53 | | | |
| | | | | | | 52 | 51 | | | 48 | 47 | 46 | 45 | 44 | | | 40 | 39 | 38 | 37 | 36 | | | 34 | 33 | | |
| | | | | | | 73 | | | | 32 | | 30 | | | 27 | 26 | 25 | 24 | | 22 | 21 | 20 | | | | | |
| | | | | | | 73 | | | | | 15 | 14 | | | | 10 | 9 | 8 | | 6 | 5 | 4 | | | 2 | | |
| SALEABLE | NOT APPLICABLE | 34566-5133 | 9 | B | ST GRAY | 72 | 71 | 70 | | 68 | 67 | 66 | | | 62 | 61 | 60 | 59 | 58 | 57 | 56 | 55 | 54 | 53 | | | |
| | | | | | | 52 | 51 | 50 | | 48 | 47 | 46 | | | 42 | 41 | 40 | 39 | 38 | 37 | 36 | 35 | 34 | 33 | | | |
| | | | | | | 73 | | | | 32 | 31 | 30 | 29 | 28 | 27 | 26 | 25 | 24 | 23 | | | | | | | | |
| | | | | | | 73 | | | | 16 | 15 | 14 | 13 | | | | | 10 | 9 | 8 | | | | | | | |
| SALEABLE | NOT APPLICABLE | 34566-5143 | 0 | C | BLUE | 72 | | 70 | | 68 | 67 | 66 | | | 63 | 62 | | 59 | | 57 | | | | 53 | | | |
| | | | | | | 52 | 51 | | | 48 | 47 | 46 | | 44 | | 42 | | 40 | 39 | | 37 | 36 | | 34 | 33 | | |
| | | | | | | 73 | | | | 32 | | 30 | | | | 26 | 25 | 24 | | 22 | 21 | 20 | | | | | |
| | | | | | | 73 | | | | | 15 | 14 | | | | 10 | 9 | 8 | | 6 | 5 | 4 | | | 2 | | |
| SALEABLE | NOT APPLICABLE | 34566-5153 | 0 | A | BLACK | | | 70 | 69 | | | | | | 63 | 62 | 61 | 60 | | 58 | 57 | 56 | 55 | 54 | 53 | | |
| | | | | | | 52 | 51 | | 49 | | 47 | | | 44 | 43 | 42 | 41 | | | 37 | 36 | 35 | 34 | 33 | | | |
| | | | | | | 73 | | | | 32 | | | 29 | 28 | 27 | 26 | 25 | | | | | | | 19 | 18 | | |
| | | | | | | 73 | | | | 16 | 15 | | 13 | 12 | 11 | 10 | | | | | | | | 3 | | | |
| SALEABLE | NOT APPLICABLE | 34566-5163 | 9 | A | BLACK | 72 | | | 69 | | 67 | | 65 | | 63 | | | 60 | | | 57 | 56 | | | 53 | | |
| | | | | | | | | | 49 | | 47 | | | 44 | 43 | | | 40 | | | 37 | 36 | 35 | | | 33 | |
| | | | | | | 73 | | | | | 31 | 30 | 29 | 28 | | | | 24 | | | 21 | 20 | | | | 17 | |
| | | | | | | 73 | | | | 16 | 15 | 14 | | | 11 | 10 | | | | 5 | 4 | 3 | 2 | 1 | | | |
| SALEABLE | NOT APPLICABLE | 34566-5173 | 9 | B | ST GRAY | | | | | 68 | 67 | | | 64 | 63 | | | 59 | | 57 | | | | | | | |
| | | | | | | | | | | | | 46 | 45 | | 43 | | | 39 | | 37 | | | | | | | |
| | | | | | | 73 | | | | 32 | | 30 | 29 | 28 | 27 | | | | | 21 | | | | | | | |
| | | | | | | 73 | | | | | | | | | | 10 | | | | 6 | 5 | 4 | 3 | | | | |
| SALEABLE | NOT APPLICABLE | 34566-5183 | 0 | B | ST GRAY | | | | | 68 | 67 | | | 64 | | | | 59 | 58 | | | | 54 | | | | |
| | | | | | | | | | | | | 46 | 45 | 44 | | | | 39 | 38 | | | | | | | | |
| | | | | | | 73 | | | | 32 | | 30 | 29 | 28 | 27 | | | | 23 | 22 | | | | | | 17 | |
| | | | | | | 73 | | | | | | | | 12 | | 10 | | 8 | | | | | | | | 1 | |
| SALEABLE | NOT APPLICABLE | 34566-5193 | 0 | A | BLACK | | | 70 | 69 | | | | | | 63 | 62 | 61 | 60 | | 58 | 57 | 56 | 55 | 54 | 53 | | |
| | | | | | | 52 | 51 | | 49 | | | | 44 | 43 | 42 | 41 | | | | 37 | 36 | | | 34 | | | |
| | | | | | | 73 | | | | 32 | | | 29 | 28 | 27 | 26 | | | | | | | | 19 | 18 | 17 | |
| | | | | | | 73 | | | | 16 | 15 | | 13 | 12 | 11 | 10 | | | | | | | | 3 | 2 | 1 | |
| SALEABLE | NOT APPLICABLE | 34566-5213 | 0 | A | BLACK | 72 | 71 | 70 | 69 | 68 | 67 | 66 | 65 | 64 | 63 | 62 | 61 | 60 | 59 | | | | 55 | 54 | 53 | | |
| | | | | | | 52 | | | 49 | 48 | | | | 44 | 43 | 42 | 41 | 40 | 39 | | | | | 35 | 34 | 33 | |
| | | | | | | 73 | | | | 32 | | | 29 | | 27 | | 25 | 24 | 23 | | | | | 19 | 18 | 17 | |
| | | | | | | 73 | | | | 16 | | | 13 | 12 | 11 | | 9 | 8 | 7 | 6 | 5 | 4 | 3 | 2 | 1 | | |
| SALEABLE | NOT APPLICABLE | 34566-5223 | 0 | C | BLUE | 72 | | 70 | | | 67 | 66 | | | 63 | 62 | | | 59 | | 57 | | | 53 | | | |
| | | | | | | 52 | 51 | | | 48 | | 46 | | 44 | | 42 | | 40 | 39 | | | | | 34 | 33 | | |
| | | | | | | 73 | | | | 32 | | 30 | | | 27 | 26 | 25 | | 22 | 21 | | | | | | | |
| | | | | | | 73 | | | | | 15 | 14 | | | | 10 | 9 | | 6 | 5 | 4 | | | | | | |

MX123 52/66/73/80-WAY RECEPTACLE ASSY SEALED PIN OUT SHEET

| STATUS | GM PART # | HRNS CONN ASSY | | | TPA | GROMMET CAP | | | | | | | | | | | | | | | | | | | | | | |
|----------|----------------|----------------|-------------------|------------------|--------------------|---|----|----|----|----|----|----|----|----|----|----|----|----|----|----|----|----|----|----|----|----|----|----|
| | | MATERIAL/PART | WIRE DRESS OPTION | KEY OPTION Fp | COLOR OPTION Fp | NUMBERS INDICATE CAVITIES OPEN FOR CIRCUITS | | | | | | | | | | | | | | | | | | | | | | |
| | | NUMBER | | | | Fp | | | | | | | | | | | | | | | | | | | | | | |
| SALEABLE | NOT APPLICABLE | 34566-5233 | 0 | C | BLUE | 72 | | 70 | | 68 | 67 | 66 | | | 63 | 62 | | | 59 | | 57 | 56 | 55 | | 53 | | | |
| | | | | | | 52 | 51 | | | 48 | 47 | 46 | | 44 | | 42 | | 40 | 39 | 38 | | 22 | 21 | | 19 | 18 | 34 | 33 |
| | | | | | | 73 | | | | 32 | | 30 | | | | 26 | 25 | | | 22 | 21 | | | 6 | 5 | 4 | 3 | |
| SALEABLE | NOT APPLICABLE | 34566-5243 | 0 | C | BLUE | 72 | 71 | 70 | 69 | 68 | 67 | 66 | 65 | | 63 | 62 | 61 | | 59 | 58 | 57 | 56 | 55 | 54 | 53 | | | |
| | | | | | | | 51 | 50 | 49 | 48 | | 46 | 45 | 44 | 43 | 42 | 41 | 40 | 39 | 38 | | 22 | 21 | 20 | 19 | 18 | 17 | |
| | | | | | | 73 | | | | 31 | 30 | 29 | 28 | 27 | 26 | 25 | | | 22 | 21 | 20 | 19 | 18 | 17 | | | | |
| SALEABLE | NOT APPLICABLE | 34566-5253 | 0 | B | ST GRAY | | | | | 67 | 66 | | | | 63 | | | 59 | 58 | 57 | 56 | 55 | | 53 | | | | |
| | | | | | | | | 50 | 49 | 48 | | 46 | 45 | | 43 | | | 39 | 38 | 37 | 36 | 35 | 34 | 33 | | | | |
| | | | | | | 73 | | | | | | | 29 | 27 | | | | 23 | 22 | 21 | | | 18 | | | | | |
| SALEABLE | NOT APPLICABLE | 34566-5263 | 0 | B | ST GRAY | | | | | | | | | | 63 | 62 | 61 | 60 | | 58 | 57 | 56 | 55 | 54 | 53 | | | |
| | | | | | | 52 | 51 | 50 | | 48 | 47 | 46 | | | 42 | 41 | 40 | 39 | 38 | 37 | 36 | 35 | 34 | 33 | | | | |
| | | | | | | 73 | | | | 32 | 31 | 30 | 29 | 28 | 27 | | 25 | 24 | | | | | | | | | | 2 |
| SALEABLE | NOT APPLICABLE | 34566-5273 | 0 | A | BLACK | | | 70 | 69 | | | | | | 63 | 62 | 61 | 60 | | 58 | 57 | 56 | 55 | 54 | 53 | | | |
| | | | | | | 52 | 51 | | 49 | | | | 44 | 43 | 42 | 41 | | | | 37 | 36 | | 34 | | | | | |
| | | | | | | 73 | | | | 32 | | | 29 | 28 | 27 | 26 | | 23 | | | | | | | | 19 | 18 | |
| SALEABLE | NOT APPLICABLE | 34566-5283 | 0 | C | BLUE | 72 | | 70 | | 68 | 67 | 66 | | | 63 | 62 | | | 59 | | 57 | 56 | 55 | 54 | 53 | | | |
| | | | | | | 52 | 51 | | | 48 | 47 | 46 | | 44 | | 42 | | 40 | 39 | | | | | | | 34 | 33 | |
| | | | | | | 73 | | | | 32 | | 30 | | | | 26 | 25 | | | 22 | 21 | | | 19 | 18 | | | |
| SALEABLE | NOT APPLICABLE | 34566-5293 | 0 | A | BLACK | | | 70 | 69 | | | | | | 63 | 62 | 61 | 60 | | 58 | 57 | 56 | 55 | 54 | 53 | | | |
| | | | | | | 52 | 51 | | 49 | | | | 44 | 43 | 42 | 41 | 40 | | | 37 | 36 | | 34 | | | | | |
| | | | | | | 73 | | | | 32 | | | 29 | 28 | 27 | 26 | | | | | | | | | | 19 | 18 | 17 |
| SALEABLE | NOT APPLICABLE | 34566-5313 | 0 | C | BLUE | 72 | | 70 | | 68 | 67 | 66 | | | 63 | 62 | | | 59 | | 57 | 56 | 55 | 54 | 53 | | | |
| | | | | | | 52 | 51 | | | 48 | 47 | 46 | | 44 | | 42 | | 40 | 39 | 38 | 37 | 36 | | | | 34 | 33 | |
| | | | | | | 73 | | | | 32 | | 30 | | | 27 | 26 | 25 | 24 | | 22 | 21 | | | 19 | 18 | | | |
| SALEABLE | NOT APPLICABLE | 34566-5323 | 0 | G | BLUE | 80 | | 78 | 77 | | 75 | 74 | 73 | 72 | | 70 | 69 | | 67 | | 65 | 64 | 63 | 62 | | | | |
| | | | | | | 60 | | 58 | 57 | | 55 | 54 | | 52 | 51 | 50 | 49 | | 47 | | 45 | | | | | | | |
| | | | | | | 40 | | 38 | 37 | | | | 33 | 32 | 31 | | | | 27 | 26 | 25 | 24 | | | | | | |
| SALEABLE | NOT APPLICABLE | 34566-5333 | 0 | A | BLACK | 72 | 71 | 70 | | 68 | 67 | 66 | 65 | 64 | 63 | 62 | | 60 | 59 | | | | | | | 53 | | |
| | | | | | | | 51 | | 49 | 48 | 47 | 46 | 45 | 44 | 43 | | 41 | 40 | | | | | | | | | | |
| | | | | | | 73 | | | | | | 30 | 29 | 28 | | 26 | 25 | 24 | | | | | | | 20 | | | 17 |
| SALEABLE | NOT APPLICABLE | 34566-5343 | 0 | B | ST GRAY | | | | | 68 | 67 | | | 64 | | | | 59 | 58 | | | | | 54 | | | | |
| | | | | | | | | | | | 46 | 45 | | | | | 39 | 38 | | | | | | | | | | |
| | | | | | | 73 | | | | 32 | | 30 | 29 | 28 | 27 | | | 23 | 22 | | | | | | | | | 17 |
| SALEABLE | NOT APPLICABLE | 34566-5353 | 9 | B | ST GRAY | | | | | 68 | 67 | | | 64 | 63 | | | 59 | 58 | | | 55 | 54 | | | | | |
| | | | | | | | | | | | 46 | 45 | 44 | 43 | | | 39 | 38 | | | | | 35 | 34 | | | | |
| | | | | | | 73 | | | | 32 | | 30 | 29 | 28 | 27 | | | 23 | 22 | | | | | 19 | | | | 17 |
| SALEABLE | NOT APPLICABLE | 34566-5363 | 0 | C | BLUE | 72 | | 70 | | 68 | | 66 | | | 63 | 62 | | | 59 | | 57 | | | | 53 | | | |
| | | | | | | 52 | 51 | | | 48 | 47 | 46 | | 44 | | 42 | | 40 | 39 | 38 | | | | | | 34 | 33 | |
| | | | | | | 73 | | | | 32 | | 30 | | | | 26 | 25 | | | 22 | 21 | | | | | | | |
| SALEABLE | NOT APPLICABLE | 34566-5373 | 0 | C | BLUE | 72 | | 70 | | 68 | | 66 | | | 63 | 62 | | | 59 | | 57 | | | | 53 | | | |
| | | | | | | 52 | 51 | | | 48 | 47 | 46 | | 44 | | 42 | | 40 | 39 | | | | | | | 34 | 33 | |
| | | | | | | 73 | | | | 32 | | 30 | | | | 26 | 25 | | | 22 | 21 | | | | | | | |
| SALEABLE | NOT APPLICABLE | 34566-5383 | 0 | C | BLUE | 72 | | 70 | | 68 | | 66 | | | 63 | 62 | | | 59 | | 57 | | | | 53 | | | |
| | | | | | | 52 | 51 | | | 48 | 47 | 46 | | 44 | | 42 | | 40 | 39 | | | 37 | 36 | | | 34 | 33 | |
| | | | | | | 73 | | | | 32 | | 30 | | | | 26 | 25 | 24 | | 22 | 21 | | | | | | 2 | |

MX123 52/66/73/80-WAY RECEPTACLE ASSY SEALED PIN OUT SHEET

| STATUS | GM PART # | HRNS CONN ASSY | | | TPA | GROMMET CAP | | | | | | | | | | | | | | | | | | | | | | |
|----------|----------------|----------------|-------------------|------------------|--------------------|---|----|----|----|----|----|----|----|----|----|----|----|----|----|----|----|----|----|----|----|----|----|----|
| | | MATERIAL/PART | WIRE DRESS OPTION | KEY OPTION Fp | COLOR OPTION Fp | NUMBERS INDICATE CAVITIES OPEN FOR CIRCUITS | | | | | | | | | | | | | | | | | | | | | | |
| | | NUMBER | | | | Fp | | | | | | | | | | | | | | | | | | | | | | |
| SALEABLE | NOT APPLICABLE | 34566-5563 | 0 | A | BLACK | 72 | 71 | 70 | 69 | | | | | 64 | 63 | | | 60 | 59 | 58 | 57 | 56 | 55 | 54 | 53 | | | |
| | | | | | | 52 | 51 | | 49 | 48 | 47 | | 45 | 44 | 43 | 42 | 41 | | | | | | | 36 | | | | |
| | | | | | | 73 | | | | 32 | | 30 | | 28 | | 26 | | | | | | | | | | 19 | 18 | 17 |
| SALEABLE | NOT APPLICABLE | 34566-5573 | 0 | C | BLUE | 72 | | 70 | | 68 | | 66 | | | 63 | 62 | | | 59 | 58 | 57 | 56 | 55 | | 53 | | | |
| | | | | | | 52 | 51 | | 49 | 48 | 47 | 46 | | 44 | | 42 | | 40 | 39 | 38 | 37 | 36 | | | 34 | 33 | | |
| | | | | | | 73 | | | | 32 | | 30 | | | | 26 | 25 | 24 | 23 | 22 | 21 | 20 | 19 | 18 | 17 | | | |
| SALEABLE | NOT APPLICABLE | 34566-5583 | 0 | B | ST GRAY | 72 | | 70 | | 68 | | 66 | | 64 | 63 | | | 60 | 59 | | | | | 55 | 54 | 53 | | |
| | | | | | | 52 | | 50 | | 48 | | 46 | | | | 40 | 39 | | | | | | | | 35 | 34 | 33 | |
| | | | | | | 73 | | | | 32 | 31 | 30 | 29 | 28 | 27 | 26 | 25 | 24 | 23 | | | 20 | | | | | | 17 |
| SALEABLE | NOT APPLICABLE | 34566-5593 | 0 | C | BLUE | 72 | | 70 | | 68 | | 66 | | | 63 | 62 | | | 59 | 58 | 57 | | | 55 | 54 | 53 | | |
| | | | | | | 52 | 51 | | | 48 | 47 | 46 | | 44 | | 42 | | 40 | 39 | | | | | | | 34 | 33 | |
| | | | | | | 73 | | | | 32 | | 30 | | | | 26 | 25 | | 23 | 22 | 21 | | | | | | | |
| SALEABLE | NOT APPLICABLE | 34566-5613 | 0 | C | BLUE | 72 | | 70 | | 68 | | 66 | | | 63 | 62 | | | 59 | 58 | 57 | | | 55 | 54 | 53 | | |
| | | | | | | 52 | 51 | | | 48 | 47 | | | 44 | | 42 | | 40 | 39 | | 37 | 36 | | | | 34 | 33 | |
| | | | | | | 73 | | | | 32 | | 30 | | | 27 | 26 | 25 | 24 | 23 | 22 | 21 | 20 | | | | | | 17 |
| SALEABLE | NOT APPLICABLE | 34566-5623 | 0 | C | BLUE | 72 | | 70 | | 68 | | 66 | | | 63 | 62 | | | 59 | 58 | 57 | | | 55 | 54 | 53 | | |
| | | | | | | 52 | 51 | | | 48 | 47 | | | 44 | | 42 | | 40 | 39 | | 37 | 36 | | | | 34 | 33 | |
| | | | | | | 73 | | | | 32 | | 30 | | | 27 | 26 | 25 | 24 | 23 | 22 | 21 | 20 | | | | | | 17 |
| SALEABLE | NOT APPLICABLE | 34566-5633 | 0 | B | ST GRAY | 72 | | | | | | | | | | 62 | 61 | | | | | | | | | | | |
| | | | | | | 52 | | | | 48 | | 46 | | 44 | 43 | | 41 | 40 | | | | | | | | 20 | 19 | 18 |
| | | | | | | 73 | | | | 16 | 15 | 14 | | | | | | | | | | | | | | 4 | | |
| SALEABLE | NOT APPLICABLE | 34566-5643 | 0 | B | ST GRAY | 72 | | | | | | | | | | 62 | 61 | | | | | | | | | | | |
| | | | | | | 52 | | | | 48 | | 46 | | | 43 | | 41 | 40 | | | | | | | | 20 | 19 | 18 |
| | | | | | | 73 | | | | 16 | 15 | 14 | | | | | | | | | | | | | | 4 | | |
| SALEABLE | NOT APPLICABLE | 34566-5653 | 0 | A | BLACK | 72 | 71 | 70 | 69 | 68 | | 66 | 65 | 64 | 63 | | 61 | 60 | | | 57 | 56 | | | 54 | 53 | | |
| | | | | | | 52 | 51 | 50 | 49 | 48 | | 46 | 45 | 44 | 43 | | 40 | 39 | 38 | 37 | 36 | | | | | 34 | 33 | |
| | | | | | | 73 | | | | 32 | 31 | 30 | 29 | 28 | | 26 | 25 | | 23 | 22 | 21 | | | | | | | 17 |
| SALEABLE | NOT APPLICABLE | 34566-5663 | 0 | C | BLUE | | | | 69 | | 67 | 66 | 64 | | 62 | | 60 | | | 57 | | | 55 | 54 | | | | |
| | | | | | | 52 | 51 | 50 | | 48 | | 46 | 45 | 44 | | 42 | | | | | | 37 | | | 35 | 34 | 33 | |
| | | | | | | 73 | | | | 32 | 31 | | | 28 | 27 | 26 | | | | | | | | | | 19 | 18 | |
| SALEABLE | NOT APPLICABLE | 34566-5673 | 0 | C | BLUE | | | | 69 | | 67 | 66 | 64 | | 62 | | 60 | | | 57 | | | 55 | 54 | | | | |
| | | | | | | 52 | 51 | 50 | 49 | 48 | | 46 | 45 | 44 | | 42 | | 40 | 39 | 38 | 37 | 36 | | | 35 | 34 | 33 | |
| | | | | | | 73 | | | | 32 | 31 | | | 28 | 27 | 25 | | | | | | | | | | | 18 | |
| SALEABLE | NOT APPLICABLE | 34566-5683 | 0 | B | ST GRAY | 72 | | | | | | | | | | 62 | 61 | | | | | | | | | | | |
| | | | | | | 52 | | | | 48 | | 46 | | 44 | 43 | | 41 | 40 | | | | | | | | 20 | 19 | 18 |
| | | | | | | 73 | | | | 16 | | 14 | | | | | | | | | | | | | | 4 | | |
| SALEABLE | NOT APPLICABLE | 34566-5693 | 0 | A | BLACK | 72 | 71 | 70 | 69 | 68 | | 66 | 65 | 64 | 63 | | 61 | 60 | | | 57 | 56 | | | 54 | 53 | | |
| | | | | | | 52 | 51 | 50 | 49 | 48 | | 46 | 45 | 44 | 43 | | 40 | 39 | 38 | 37 | 36 | | | | | 34 | 33 | |
| | | | | | | 73 | | | | 32 | 31 | 30 | 29 | 28 | | 26 | 25 | | 23 | 22 | 21 | 20 | | | | | | 17 |
| SALEABLE | NOT APPLICABLE | 34566-5713 | 0 | C | BLUE | | | | 69 | | 67 | 66 | 64 | | 62 | | 60 | | | 57 | | | 55 | 54 | | | | |
| | | | | | | 52 | 51 | 50 | | 48 | | 46 | 45 | 44 | | 42 | | | | | | 37 | | | 35 | 34 | 33 | |
| | | | | | | 73 | | | | 32 | 31 | | | 28 | 27 | 26 | | | | | | | | | | 19 | 18 | 17 |
| SALEABLE | NOT APPLICABLE | 34566-5723 | 0 | C | BLUE | | | | 69 | | 67 | 66 | 64 | | 62 | | 60 | | | 57 | | | 55 | 54 | | | | |
| | | | | | | 52 | 51 | 50 | 49 | 48 | | 46 | 45 | 44 | | 42 | | 40 | 39 | 38 | 37 | 36 | | | 35 | 34 | 33 | |
| | | | | | | 73 | | | | 32 | 31 | | | 28 | 27 | 25 | | | | | | | | | | | 18 | |

MX123 52/66/73/80-WAY RECEPTACLE ASSY SEALED PIN OUT SHEET

| STATUS | GM PART # | HRNS CONN ASSY | | | TPA | GROMMET CAP | | | | | | | | | | | | | | | | | | | | | | | |
|----------|----------------|---|-------------------|------------------|--------------------|---|----|----|----|----|----|----|----|----|----|----|----|----|----|----|----|----|----|----|----|----|----|----|----|
| | | MATERIAL/PART | WIRE DRESS OPTION | KEY OPTION Fp | COLOR OPTION Fp | NUMBERS INDICATE CAVITIES OPEN FOR CIRCUITS | | | | | | | | | | | | | | | | | | | | | | | |
| | | NUMBER | | | | Fp | | | | | | | | | | | | | | | | | | | | | | | |
| SALEABLE | NOT APPLICABLE | 34566-5733 | 0 | A | BLACK | 52 | 71 | 70 | 69 | | | | | 64 | 63 | | | 60 | 59 | 58 | 57 | 56 | 55 | 54 | 53 | | | | |
| | | | | | | | 51 | | 49 | | | | 45 | 44 | 43 | 42 | 41 | | | | | | | | 36 | | | | |
| | | | | | | 73 | | | | 32 | | 30 | | 28 | | 26 | | | | | | | | | | | 19 | 18 | |
| SALEABLE | NOT APPLICABLE | 34566-5743 | 0 | A | BLACK | 52 | 71 | 70 | 69 | | 67 | | | 64 | 63 | | | 60 | 59 | | 57 | 56 | 55 | 54 | 53 | | | | |
| | | | | | | | 51 | | 49 | | | | 45 | 44 | 43 | 42 | 41 | | | | | | | | 37 | 36 | | 34 | |
| | | | | | | 73 | | | | 32 | | 30 | | 28 | | 26 | | | | | | | | | | | | 19 | 18 |
| SALEABLE | NOT APPLICABLE | 34566-5753 | 0 | A | BLACK | 52 | 71 | 70 | 69 | | | | | 64 | 63 | | | 60 | 59 | | 57 | 56 | 55 | 54 | 53 | | | | |
| | | | | | | | 51 | | 49 | | | | 45 | 44 | 43 | 42 | 41 | | | | | | | | | 37 | 36 | | 34 |
| | | | | | | 73 | | | | 32 | | 30 | | 28 | | 26 | | | | 23 | | | 21 | | | | 19 | 18 | |
| SALEABLE | NOT APPLICABLE | 34566-5763 | 0 | C | BLUE | 72 | | 70 | | 68 | | 66 | | | 63 | 62 | | | 59 | 58 | 57 | | | | | 53 | | | |
| | | | | | | 52 | 51 | | | 48 | 47 | 46 | | 44 | | 42 | | 40 | 39 | | | 37 | 36 | | | | 34 | 33 | |
| | | | | | | 73 | | | | 32 | | 30 | | | 27 | 26 | 25 | 24 | | | 22 | 21 | 20 | | | | | | |
| SALEABLE | NOT APPLICABLE | 34566-5773 | 0 | C | BLUE | 72 | | 70 | | 68 | | 66 | | | 63 | 62 | | | 59 | 58 | 57 | | | | | 53 | | | |
| | | | | | | 52 | 51 | | | 48 | 47 | | | 44 | | 42 | | 40 | 39 | | | 37 | 36 | | | | 34 | 33 | |
| | | | | | | 73 | | | | 32 | | 30 | | | 27 | 26 | 25 | 24 | | | 22 | 21 | 20 | | | | | | |
| SALEABLE | NOT APPLICABLE | 34566-5783 | 0 | C | BLUE | 72 | | 70 | | 68 | | 66 | | | 63 | 62 | | | 59 | 58 | 57 | | | | | 53 | | | |
| | | | | | | 52 | 51 | | | 48 | 47 | | | 44 | | 42 | | 40 | 39 | | | 37 | 36 | | | | 34 | 33 | |
| | | | | | | 73 | | | | 32 | | 30 | | | 27 | 26 | 25 | 24 | | | 22 | 21 | 20 | | | | | | |
| SALEABLE | NOT APPLICABLE | 34566-5793 SAME AS P/N 34566-4013 | 0 | B | ST GRN | 72 | | 70 | | 68 | | 66 | | | | 60 | 59 | | | | | | | 55 | 54 | 53 | | | |
| | | | | | | 52 | | 50 | | 48 | | 46 | | | | 40 | 39 | | | | | | | | | 35 | 34 | 33 | |
| | | | | | | 73 | | | | 32 | 31 | 30 | 29 | 28 | 27 | 26 | 25 | 24 | | | | | | | | | | | 17 |
| SALEABLE | NOT APPLICABLE | 34566-5813 | 0 | B | ST GRN | 72 | | 70 | | 68 | | 66 | | | | 60 | 59 | | | | | | | 55 | 54 | 53 | | | |
| | | | | | | 52 | | 50 | | 48 | | 46 | | | | 40 | 39 | | | | | | | | | 35 | 34 | 33 | |
| | | | | | | 73 | | | | 32 | 31 | 30 | 29 | 28 | 27 | 26 | 25 | 24 | 23 | | | | | | | | | 19 | 18 |
| SALEABLE | NOT APPLICABLE | 34566-5823 | 0 | A | BLACK | 72 | | 70 | | | | | | | 63 | | | | | | | | | | | | | | |
| | | | | | | 52 | | | 49 | | | | | | 43 | | 41 | | | | | | | | | | | | |
| | | | | | | 73 | | | | | 31 | 30 | | 28 | 27 | 26 | | | 23 | | | | | | 20 | 19 | | | |
| SALEABLE | NOT APPLICABLE | 34566-5833 | 0 | A | BLACK | 72 | | 70 | | | | | | | 63 | | | | | | | | | | | | | | |
| | | | | | | 52 | | | 49 | | | | | | 43 | | 41 | | | | | | | | | | | | |
| | | | | | | 73 | | | | | 31 | 30 | | 28 | 27 | 26 | | | 23 | | | | | | 20 | 19 | | | |
| SALEABLE | NOT APPLICABLE | 34566-5843 | 0 | H | ST GRN | | 79 | | | | | | | | | | | | | | | | | | | | | | |
| | | | | | | | 59 | | 57 | | | 74 | 73 | 72 | 71 | | | 68 | 67 | | | 65 | 64 | 63 | 62 | 61 | | | |
| | | | | | | | | 38 | | | | 34 | 33 | | | | | 29 | 27 | | | 25 | | | | | | | |
| SALEABLE | NOT APPLICABLE | 34566-5853 | 0 | H | ST GRN | | 79 | | | | | | | | | | | | | | | | | | | | | | |
| | | | | | | | 59 | | 57 | | | 74 | 73 | 72 | 71 | | | 68 | 67 | | | 65 | 64 | 63 | 62 | 61 | | | |
| | | | | | | | | 38 | | | | 34 | 33 | | | | | 29 | 27 | | | 25 | | | | | | | |
| SALEABLE | NOT APPLICABLE | 34566-5863 | 0 | C | BLUE | 72 | | 70 | | | | 66 | | | 63 | 62 | | | 59 | | 57 | 56 | 55 | | 53 | | | | |
| | | | | | | 52 | 51 | | | | | 46 | 44 | | 42 | | 40 | 39 | | | 37 | 36 | | | | 34 | 33 | | |
| | | | | | | 73 | | | | 32 | | 30 | | | | 26 | 25 | | | 22 | 21 | | | | | 19 | 18 | | |
| SALEABLE | NOT APPLICABLE | 34566-5873 | 0 | B | ST GRN | 72 | | | | | | | | | | | | | | | | | | | | | | | |
| | | | | | | 52 | | | | 48 | 47 | 46 | | 44 | 43 | | 41 | 40 | | | | | | | | 20 | 19 | 18 | |
| | | | | | | 73 | | | | 16 | 15 | 14 | | | | | | | | | | | | | | | 4 | | |
| SALEABLE | NOT APPLICABLE | 34566-5883 | 0 | B | ST GRN | 72 | | | | | | | | | | 62 | 61 | | | | | | | | | | | | |
| | | | | | | 52 | | | | 48 | 47 | 46 | | | 43 | | 41 | 40 | | | | | | | | | | | |
| | | | | | | 73 | | | | | | 30 | | | | | | | | | | | | | | | 20 | 19 | 18 |

MX123 52/66/73/80-WAY RECEPTACLE ASSY SEALED PIN OUT SHEET

| STATUS | GM PART # | HRNS CONN ASSY | | | TPA | GROMMET CAP | | | | | | | | | | | | | | | | | | | | | |
|----------|----------------|----------------|-------------------|------------------|--------------------|---|----|----|----|----|----|----|----|----|----|----|----|----|----|----|----|----|----|----|----|----|----|
| | | MATERIAL/PART | WIRE DRESS OPTION | KEY OPTION Fp | COLOR OPTION Fp | NUMBERS INDICATE CAVITIES OPEN FOR CIRCUITS | | | | | | | | | | | | | | | | | | | | | |
| | | NUMBER | | | | Fp | | | | | | | | | | | | | | | | | | | | | |
| SALEABLE | NOT APPLICABLE | 34566-5893 | 0 | C | BLUE | | | | 69 | | 67 | 66 | | | | 62 | | 60 | | | 57 | | 55 | 54 | | | |
| | | | | | | 52 | 51 | 50 | | 48 | | 46 | 45 | 44 | | 42 | | | | | | | 37 | | 35 | 34 | 33 |
| | | | | | | 73 | | | | 32 | | | | 28 | 27 | 26 | | | | | | | | | | 19 | 18 |
| SALEABLE | NOT APPLICABLE | 34566-5913 | 0 | C | BLUE | | | | 69 | | 67 | 66 | | 64 | | 61 | 60 | | | 57 | | | 54 | | | | |
| | | | | | | 52 | 51 | 50 | 49 | 48 | | 46 | 45 | 44 | | 41 | | | | | | 37 | | | 34 | 33 | |
| | | | | | | 73 | | | | 32 | | | | 28 | 27 | 25 | | | | | | | | | | | 18 |
| SALEABLE | NOT APPLICABLE | 34566-5933 | 0 | C | BLUE | 72 | | 70 | | 68 | | 66 | | | 63 | 62 | | 59 | | 57 | 56 | 55 | | 53 | | | |
| | | | | | | 52 | 51 | | | 48 | 47 | 46 | | 44 | | 42 | | 40 | 39 | | | | | | | 34 | 33 |
| | | | | | | 73 | | | | 32 | | 30 | | | | 26 | 25 | | 23 | 22 | 21 | | | | | | |
| SALEABLE | NOT APPLICABLE | 34566-5943 | 0 | C | BLUE | | | 70 | | 68 | 67 | 66 | | | 63 | 62 | | 59 | | 57 | 56 | 55 | | 53 | | | |
| | | | | | | 52 | 51 | | 49 | 48 | 47 | 46 | | 44 | | 42 | | 40 | 39 | | | | | | | 34 | 33 |
| | | | | | | 73 | | | | 32 | | 30 | | | | 27 | 26 | 25 | | | 22 | 21 | 20 | | | | |
| SALEABLE | NOT APPLICABLE | 34566-5953 | 0 | A | BLACK | | 71 | 70 | 69 | | | | 65 | 64 | 63 | 62 | 61 | 60 | | 58 | 57 | 56 | 55 | 54 | 53 | | |
| | | | | | | 52 | 51 | | 49 | 48 | 47 | | 45 | 44 | 43 | 42 | 41 | | | | | 37 | 36 | | | 34 | |
| | | | | | | 73 | | | | 32 | | 30 | 29 | 28 | 27 | 26 | | | | | | | | | | | 19 |
| SALEABLE | NOT APPLICABLE | 34566-5963 | 0 | B | ST GRAY | 72 | 71 | 70 | | 68 | 67 | 66 | | | 63 | 62 | 61 | 60 | 59 | 58 | 57 | 56 | 55 | 54 | 53 | | |
| | | | | | | 52 | 51 | 50 | | 48 | 47 | 46 | | | | 42 | 41 | 40 | 39 | 38 | 37 | 36 | 35 | 34 | 33 | | |
| | | | | | | 73 | | | | 32 | 31 | 30 | 29 | 28 | 27 | 26 | 25 | 24 | | | | | | | | | |
| SALEABLE | NOT APPLICABLE | 34566-5973 | 0 | C | BLUE | | | 70 | | 68 | 67 | 66 | | | 63 | 62 | | 59 | | 57 | 56 | 55 | | 53 | | | |
| | | | | | | 52 | 51 | | | 48 | 47 | 46 | | 44 | | 42 | | 40 | 39 | | | | | | | 34 | 33 |
| | | | | | | 73 | | | | 32 | | 30 | | | | 27 | 26 | 25 | | 22 | 21 | | | | | 19 | 18 |
| SALEABLE | NOT APPLICABLE | 34566-5983 | 0 | C | BLUE | | | | 69 | | 67 | 66 | | 64 | | 62 | | 60 | | | 57 | | 55 | 54 | | | |
| | | | | | | 52 | 51 | 50 | | 48 | | 46 | 45 | 44 | | 42 | | | | | | | 37 | | 35 | 34 | 33 |
| | | | | | | 73 | | | | 32 | | | | 28 | 27 | 26 | | | | | | | | | | | 19 |
| SALEABLE | NOT APPLICABLE | 34566-5993 | 0 | A | BLACK | | 71 | 70 | 69 | | 67 | 66 | 65 | | 63 | 62 | 61 | 60 | | 58 | 57 | 56 | 55 | 54 | 53 | | |
| | | | | | | 52 | 51 | 50 | 49 | 48 | 47 | | 45 | 44 | 43 | 42 | 41 | 40 | 39 | | | 37 | 36 | 35 | 34 | | |
| | | | | | | 73 | | | | 32 | 31 | 30 | 29 | 28 | 27 | 26 | 25 | 24 | 23 | | | 21 | 20 | 19 | 18 | 17 | |
| SALEABLE | NOT APPLICABLE | 34566-6013 | 0 | B | ST GRAY | | | | 69 | | 67 | | 65 | | | 61 | 60 | 59 | 58 | 57 | | | 54 | 53 | | | |
| | | | | | | | 51 | 50 | 49 | 48 | 47 | 46 | 45 | | 43 | | 40 | 39 | | 37 | | | | | | 34 | 33 |
| | | | | | | 73 | | | | 32 | 31 | 30 | 29 | | | 26 | | 24 | 23 | 22 | 21 | 20 | | | | | 18 |
| SALEABLE | NOT APPLICABLE | 34566-6023 | 0 | A | BLACK | 72 | 71 | 70 | 69 | 68 | 67 | | | | | | 60 | 59 | 58 | 57 | 56 | | | 54 | 53 | | |
| | | | | | | 52 | 51 | 50 | 49 | 48 | 47 | | 45 | 44 | 43 | | | 40 | 39 | 38 | 37 | 36 | 35 | 34 | 33 | | |
| | | | | | | 73 | | | | 32 | 31 | 30 | 29 | 28 | | | | 24 | 23 | 22 | 21 | 20 | 19 | | | | 17 |
| SALEABLE | NOT APPLICABLE | 34566-6033 | 0 | A | BLACK | | | 70 | 69 | | | | | 63 | 62 | 61 | | | 58 | 57 | 56 | 55 | 54 | 53 | | | |
| | | | | | | 52 | 51 | | 49 | 48 | | | 44 | 43 | 42 | 41 | | | | | 37 | 36 | | | 34 | | |
| | | | | | | 73 | | | | 32 | | | 29 | 28 | 27 | 26 | | | | | | 21 | | 19 | 18 | | |
| SALEABLE | NOT APPLICABLE | 34566-6043 | 0 | B | ST GRAY | | | | | 68 | 67 | 66 | 65 | 64 | | | | | 58 | | | 55 | | | | | |
| | | | | | | | | | | 48 | | 46 | 45 | | | | | | | | 38 | | | 35 | | | |
| | | | | | | 73 | | | | 32 | | 30 | 29 | 28 | 27 | | | | | 22 | | | | | | 19 | |
| SALEABLE | NOT APPLICABLE | 34566-6053 | 0 | B | ST GRAY | | | | | 68 | 67 | 66 | 65 | 64 | | | 62 | 61 | | | | | | | | | |
| | | | | | | 52 | | | | 48 | 47 | 46 | | | 43 | | 41 | 40 | | | | | | | | | |
| | | | | | | 73 | | | | | | 30 | | | | | | | | | | | | 20 | 19 | 18 | |
| SALEABLE | NOT APPLICABLE | 34566-6063 | 0 | C | BLUE | | | | 69 | | 67 | 66 | | 64 | | 62 | | 60 | | | 57 | | 55 | 54 | | | |
| | | | | | | 52 | 51 | 50 | | 48 | | 46 | 45 | 44 | | 42 | | | | | | 37 | | 35 | 34 | 33 | |
| | | | | | | 73 | | | | 32 | | | | 28 | 27 | 26 | | | | | | | | | | 19 | 18 |

MX123 52/66/73/80-WAY RECEPTACLE ASSY SEALED PIN OUT SHEET

| STATUS | GM PART # | HRNS CONN ASSY | | | TPA | GROMMET CAP | | | | | | | | | | | | | | | | | | | | | | | | | | | | | | | |
|----------|----------------|----------------|-------------------|------------------|--------------------|---|----|----|----|----|----|----|----|----|----|----|----|----|----|----|----|----|----|----|--|--|--|--|--|--|--|--|--|--|--|--|--|
| | | MATERIAL/PART | WIRE DRESS OPTION | KEY OPTION Fp | COLOR OPTION Fp | NUMBERS INDICATE CAVITIES OPEN FOR CIRCUITS | | | | | | | | | | | | | | | | | | | | | | | | | | | | | | | |
| | | NUMBER | | | | Fp | | | | | | | | | | | | | | | | | | | | | | | | | | | | | | | |
| SALEABLE | NOT APPLICABLE | 34566-6073 | 0 | C | BLUE | 52 | 51 | 50 | 69 | 48 | 67 | 66 | 45 | 64 | 61 | 60 | 57 | 54 | 34 | 33 | 73 | | | | | | | | | | | | | | | | |
| | | | | | | 32 | 28 | 27 | 25 | 18 | 17 | | | | | | | | | | | | | | | | | | | | | | | | | | |
| | | | | | | 16 | 15 | 14 | 13 | 12 | 11 | 10 | 9 | | | | | | | | | | | | | | | | | | | | | | | | |
| SALEABLE | NOT APPLICABLE | 34566-6083 | 0 | C | BLUE | 72 | 71 | 70 | 68 | 67 | 66 | 63 | 62 | 59 | 57 | 53 | 73 | | | | | | | | | | | | | | | | | | | | |
| | | | | | | 52 | 51 | 48 | 47 | 46 | 44 | 42 | 40 | 39 | 37 | 36 | 34 | 33 | | | | | | | | | | | | | | | | | | | |
| | | | | | | 32 | 30 | 26 | 25 | 22 | 21 | 20 | 19 | 18 | 17 | | | | | | | | | | | | | | | | | | | | | | |
| SALEABLE | NOT APPLICABLE | 34566-6093 | 0 | B | ST GRAY | 72 | 71 | 70 | 67 | 66 | 63 | 62 | 61 | 60 | 59 | 20 | 19 | 18 | 73 | | | | | | | | | | | | | | | | | | |
| | | | | | | 52 | 46 | 43 | 41 | 40 | 4 | | | | | | | | | | | | | | | | | | | | | | | | | | |
| | | | | | | 16 | 14 | 11 | | | | | | | | | | | | | | | | | | | | | | | | | | | | | |
| SALEABLE | NOT APPLICABLE | 34566-6113 | 0 | A | BLACK | 72 | 71 | 70 | 69 | 68 | 66 | 65 | 64 | 63 | 62 | 61 | 60 | 58 | 57 | 56 | 55 | 54 | 53 | 73 | | | | | | | | | | | | | |
| | | | | | | 52 | 51 | 50 | 49 | 48 | 46 | 45 | 44 | 43 | 42 | 41 | 40 | 39 | 38 | 37 | 36 | 34 | 33 | | | | | | | | | | | | | | |
| | | | | | | 32 | 31 | 30 | 29 | 28 | 27 | 26 | 25 | 23 | 22 | 21 | 20 | 19 | 18 | 17 | | | | | | | | | | | | | | | | | |
| SALEABLE | NOT APPLICABLE | 34566-6123 | 0 | C | BLUE | 52 | 51 | 50 | 69 | 48 | 67 | 66 | 45 | 64 | 62 | 60 | 57 | 54 | 34 | 33 | 73 | | | | | | | | | | | | | | | | |
| | | | | | | 32 | 28 | 27 | 26 | 18 | 17 | | | | | | | | | | | | | | | | | | | | | | | | | | |
| | | | | | | 16 | 15 | 14 | 13 | 12 | 11 | 10 | 9 | 8 | 7 | | | | | | | | | | | | | | | | | | | | | | |
| SALEABLE | NOT APPLICABLE | 34566-6133 | 9 | C | BLUE | 72 | 71 | 70 | 68 | 67 | 66 | 63 | 62 | 59 | 57 | 53 | 73 | | | | | | | | | | | | | | | | | | | | |
| | | | | | | 52 | 51 | 48 | 47 | 46 | 44 | 42 | 40 | 39 | 38 | 37 | 36 | 34 | 33 | | | | | | | | | | | | | | | | | | |
| | | | | | | 32 | 30 | 26 | 25 | 24 | 22 | 21 | 20 | 19 | 18 | 17 | | | | | | | | | | | | | | | | | | | | | |
| SALEABLE | NOT APPLICABLE | 34566-6173 | 9 | B | ST GRAY | 48 | 47 | 46 | 44 | 42 | 41 | 40 | 39 | 38 | 37 | 36 | 34 | 33 | 73 | | | | | | | | | | | | | | | | | | |
| | | | | | | 32 | 31 | 30 | 29 | 27 | 26 | 25 | 24 | 22 | 21 | 19 | 18 | 17 | | | | | | | | | | | | | | | | | | | |
| | | | | | | 16 | 15 | 14 | 13 | 11 | 10 | 9 | 8 | 7 | 6 | 5 | 4 | 3 | 2 | 1 | | | | | | | | | | | | | | | | | |
| SALEABLE | NOT APPLICABLE | 34566-6183 | 9 | A | BLACK | 48 | 47 | 46 | 44 | 42 | 41 | 40 | 39 | 38 | 37 | 36 | 34 | 33 | 73 | | | | | | | | | | | | | | | | | | |
| | | | | | | 32 | 31 | 30 | 29 | 27 | 26 | 25 | 24 | 22 | 21 | 19 | 18 | 17 | | | | | | | | | | | | | | | | | | | |
| | | | | | | 16 | 15 | 14 | 13 | 11 | 10 | 9 | 8 | 7 | 6 | 5 | 4 | 3 | 2 | 1 | | | | | | | | | | | | | | | | | |
| SALEABLE | NOT APPLICABLE | 34566-6193 | 9 | B | ST GRAY | 72 | 71 | 70 | 69 | 68 | 67 | 66 | 65 | 64 | 62 | 61 | 60 | 59 | 58 | 57 | 56 | 55 | 54 | 73 | | | | | | | | | | | | | |
| | | | | | | 52 | 51 | 50 | 49 | 48 | 47 | 46 | 44 | 42 | 41 | 40 | 38 | 37 | 36 | 34 | 33 | | | | | | | | | | | | | | | | |
| | | | | | | 32 | 31 | 30 | 29 | 28 | 27 | 26 | 25 | 24 | 21 | 20 | 18 | 17 | | | | | | | | | | | | | | | | | | | |
| SALEABLE | NOT APPLICABLE | 34566-6213 | 9 | A | BLACK | 48 | 47 | 46 | 44 | 42 | 41 | 40 | 39 | 38 | 37 | 36 | 34 | 33 | 73 | | | | | | | | | | | | | | | | | | |
| | | | | | | 32 | 31 | 30 | 29 | 27 | 26 | 25 | 24 | 22 | 21 | 19 | 18 | 17 | | | | | | | | | | | | | | | | | | | |
| | | | | | | 16 | 15 | 14 | 13 | 11 | 10 | 9 | 8 | 7 | 6 | 5 | 4 | 3 | 2 | 1 | | | | | | | | | | | | | | | | | |
| SALEABLE | NOT APPLICABLE | 34566-6223 | 9 | C | BLUE | 72 | 71 | 70 | 68 | 67 | 66 | 63 | 62 | 59 | 57 | 53 | 73 | | | | | | | | | | | | | | | | | | | | |
| | | | | | | 52 | 51 | 48 | 47 | 46 | 44 | 42 | 40 | 39 | 37 | 36 | 34 | 33 | | | | | | | | | | | | | | | | | | | |
| | | | | | | 32 | 30 | 27 | 26 | 25 | 22 | 21 | 20 | 19 | 18 | 17 | | | | | | | | | | | | | | | | | | | | | |
| SALEABLE | NOT APPLICABLE | 34566-6233 | 9 | B | ST GRAY | 72 | 71 | 70 | 68 | 67 | 66 | 63 | 62 | 59 | 57 | 53 | 73 | | | | | | | | | | | | | | | | | | | | |
| | | | | | | 52 | 51 | 50 | 48 | 47 | 46 | 44 | 42 | 40 | 39 | 37 | 36 | 34 | 33 | | | | | | | | | | | | | | | | | | |
| | | | | | | 32 | 31 | 30 | 29 | 28 | 27 | 26 | 25 | 24 | 10 | 8 | 2 | 1 | | | | | | | | | | | | | | | | | | | |
| SALEABLE | NOT APPLICABLE | 34566-6243 | 9 | A | BLACK | 72 | 71 | 70 | 69 | 68 | 67 | 66 | 64 | 63 | 60 | 59 | 58 | 57 | 56 | 55 | 54 | 53 | 73 | | | | | | | | | | | | | | |
| | | | | | | 52 | 51 | 50 | 49 | 48 | 47 | 46 | 45 | 44 | 43 | 42 | 41 | 39 | 37 | 36 | 34 | | | | | | | | | | | | | | | | |
| | | | | | | 32 | 30 | 28 | 26 | 20 | 19 | 18 | | | | | | | | | | | | | | | | | | | | | | | | | |
| SALEABLE | NOT APPLICABLE | 34566-6253 | 9 | C | BLUE | 72 | 71 | 70 | 68 | 67 | 66 | 63 | 62 | 59 | 57 | 53 | 73 | | | | | | | | | | | | | | | | | | | | |
| | | | | | | 52 | 51 | 49 | 48 | 47 | 46 | 44 | 42 | 40 | 39 | 37 | 36 | 34 | 33 | | | | | | | | | | | | | | | | | | |
| | | | | | | 32 | 30 | 27 | 26 | 25 | 24 | 22 | 21 | 20 | 15 | 14 | 13 | 10 | 9 | 8 | 6 | 5 | 4 | 2 | | | | | | | | | | | | | |
| SALEABLE | NOT APPLICABLE | 34566-6263 | 9 | B | ST GRAY | 72 | 71 | 70 | 68 | 67 | 66 | 63 | 62 | 61 | 60 | 59 | 58 | 57 | 56 | 55 | 54 | 53 | 73 | | | | | | | | | | | | | | |
| | | | | | | 52 | 51 | 50 | 48 | 47 | 46 | 44 | 42 | 41 | 40 | 39 | 38 | 37 | 36 | 35 | 34 | 33 | | | | | | | | | | | | | | | |
| | | | | | | 32 | 31 | 30 | 29 | 28 | 27 | 26 | 25 | 24 | 10 | 8 | 3 | 2 | 1 | | | | | | | | | | | | | | | | | | |

MX123 52/66/73/80-WAY RECEPTACLE ASSY SEALED PIN OUT SHEET

| STATUS | GM PART # | HRNS CONN ASSY | | | TPA | GROMMET CAP | | | | | | | | | | | | | | | | | | | |
|----------|----------------|----------------|-------------------|------------------|--------------------|---|----|----|----|----|----|----|----|----|----|----|----|----|----|----|----|----|----|----|----|
| | | MATERIAL/PART | WIRE DRESS OPTION | KEY OPTION Fp | COLOR OPTION Fp | NUMBERS INDICATE CAVITIES OPEN FOR CIRCUITS | | | | | | | | | | | | | | | | | | | |
| | | NUMBER | | | | Fp | | | | | | | | | | | | | | | | | | | |
| SALEABLE | NOT APPLICABLE | 34566-6273 | 9 | B | ST GRY | 71 | 70 | 69 | 65 | 64 | 63 | 62 | 61 | 60 | 58 | 57 | 56 | 55 | 54 | 53 | | | | | |
| | | | | | | 52 | 51 | 50 | 49 | 48 | 47 | 45 | 44 | 43 | 42 | 41 | 40 | 39 | 37 | 36 | 34 | 33 | | | |
| | | | | | | 73 | | | 32 | 30 | 29 | 28 | 27 | 26 | 24 | 19 | 18 | 3 | | | | | | | |
| SALEABLE | NOT APPLICABLE | 34566-6283 | 9 | C | BLUE | 72 | 71 | 70 | 68 | 67 | 66 | 63 | 62 | 59 | 57 | | | | | | | | | | |
| | | | | | | 52 | 51 | | 48 | 47 | 46 | 44 | | 40 | 39 | | | | | | 34 | 33 | | | |
| | | | | | | 73 | | | 32 | 30 | | | 27 | 26 | 25 | 22 | 21 | | | | | | | | |
| SALEABLE | NOT APPLICABLE | 34566-6293 | 9 | B | ST GRY | 72 | 71 | 70 | 68 | 67 | 66 | 62 | 61 | 60 | 59 | 58 | 57 | 56 | 55 | 54 | 53 | | | | |
| | | | | | | 52 | 51 | 50 | 48 | 47 | 46 | | 42 | 41 | 40 | 39 | 38 | 37 | 36 | 35 | 34 | 33 | | | |
| | | | | | | 73 | | | 32 | 31 | 30 | 29 | 28 | 27 | 26 | 25 | 24 | | | | | | 17 | | |
| SALEABLE | NOT APPLICABLE | 34566-6313 | 9 | B | ST GRY | 71 | 70 | 69 | | | | 63 | 62 | 61 | 60 | 58 | 57 | 56 | 55 | 54 | 53 | | | | |
| | | | | | | 52 | 51 | 50 | 49 | | | 44 | 43 | 42 | 41 | 39 | 37 | 36 | | | 19 | 18 | | | |
| | | | | | | 73 | | | 32 | | 29 | 28 | 27 | 26 | | | | | | | | 3 | | | |
| SALEABLE | NOT APPLICABLE | 34566-6323 | 9 | B | ST GRY | 71 | 70 | 69 | | | | 64 | 63 | | 60 | 59 | 58 | 57 | 56 | 55 | 54 | 53 | | | |
| | | | | | | 52 | 51 | 50 | 49 | | | 45 | 44 | 43 | 42 | 41 | 39 | 37 | 36 | | | 34 | | | |
| | | | | | | 73 | | | 32 | | 30 | 28 | | 26 | | | | | | | | 19 | 18 | | |
| SALEABLE | NOT APPLICABLE | 34566-6333 | 9 | C | BLUE | 72 | 71 | 70 | 68 | 67 | 66 | 63 | 62 | 59 | 57 | 56 | 55 | 54 | 53 | | | | | | |
| | | | | | | 52 | 51 | | 48 | 47 | 46 | 44 | | 40 | 39 | | | | | | 34 | 33 | | | |
| | | | | | | 73 | | | 32 | | 30 | | 27 | 26 | 25 | 22 | 21 | | | 19 | 18 | | | | |
| SALEABLE | NOT APPLICABLE | 34566-6343 | 9 | A | BLACK | 71 | 70 | 69 | | | | 63 | 62 | 61 | 60 | 58 | 57 | 56 | 55 | 54 | 53 | | | | |
| | | | | | | 52 | 51 | 50 | 49 | | | 44 | 43 | 42 | 41 | 40 | 39 | 37 | 36 | | | 34 | | | |
| | | | | | | 73 | | | 32 | | 29 | 28 | 27 | 26 | | | | | | | 19 | 18 | 17 | | |
| SALEABLE | NOT APPLICABLE | 34566-6353 | 9 | C | BLUE | 72 | 71 | 70 | 68 | 67 | 66 | 63 | 62 | 59 | 58 | 57 | 56 | 55 | 54 | 53 | | | | | |
| | | | | | | 52 | 51 | | 48 | 47 | 46 | 44 | | 40 | 39 | | | | | | 34 | 33 | | | |
| | | | | | | 73 | | | 32 | | 30 | | 27 | 26 | 25 | 23 | 22 | 21 | 20 | | | 17 | | | |
| SALEABLE | NOT APPLICABLE | 34566-6363 | 9 | B | ST GRY | 72 | 71 | 70 | 68 | 67 | 66 | | | 60 | 59 | | | 55 | 54 | 53 | | | | | |
| | | | | | | 52 | 51 | 50 | 48 | 47 | 46 | | | 40 | 39 | | | | | 35 | 34 | 33 | | | |
| | | | | | | 73 | | | 32 | 31 | 30 | 29 | 28 | 27 | 26 | 25 | 24 | 23 | | | 19 | 18 | 17 | | |
| SALEABLE | NOT APPLICABLE | 34566-6373 | 9 | A | BLACK | 71 | 70 | 69 | | | | 64 | 63 | | 60 | 59 | 58 | 57 | 56 | 55 | 54 | 53 | | | |
| | | | | | | 52 | 51 | 50 | 49 | | 47 | 45 | 44 | 43 | 42 | 41 | 40 | 39 | 37 | 36 | | | 34 | | |
| | | | | | | 73 | | | 32 | | 30 | 28 | | 26 | | 23 | 21 | | | 19 | 18 | 17 | | | |
| SALEABLE | NOT APPLICABLE | 34566-6383 | 9 | A | BLACK | 72 | 71 | 70 | 68 | 67 | 66 | 65 | 64 | 63 | 61 | 60 | 57 | 56 | 54 | 53 | | | | | |
| | | | | | | 52 | 51 | 50 | 49 | 48 | 46 | 45 | 44 | 43 | 42 | 41 | 40 | 39 | 38 | 37 | 36 | | | 34 | 33 |
| | | | | | | 73 | | | 32 | 31 | 30 | 29 | 28 | | | 23 | 22 | 21 | | | | | | 2 | 1 |
| SALEABLE | NOT APPLICABLE | 34566-6393 | 9 | C | BLUE | 71 | 70 | 69 | | | | 62 | 61 | 60 | 58 | 57 | | | 55 | 54 | | | | | |
| | | | | | | 52 | 51 | 50 | 49 | 48 | 47 | 46 | 45 | 44 | 42 | 41 | | 38 | 37 | | | 35 | 34 | 33 | |
| | | | | | | 73 | | | 32 | | 28 | 27 | 26 | 25 | | | | | | | | 19 | 18 | 17 | |
| SALEABLE | NOT APPLICABLE | 34566-6413 | 9 | B | ST GRY | 72 | 71 | 70 | 68 | 67 | | 63 | 62 | 61 | 60 | 59 | | | 55 | | | | | | |
| | | | | | | 52 | 51 | | 48 | 47 | 46 | 44 | 43 | 41 | 40 | | 38 | 37 | 36 | 35 | | | | | |
| | | | | | | 73 | | | 32 | | 30 | | 27 | | | | | | | 20 | 19 | 18 | 17 | | |
| SALEABLE | NOT APPLICABLE | 34566-6423 | 9 | C | BLUE | 72 | 71 | 70 | 68 | 67 | 66 | 65 | 64 | | | | | 56 | 54 | | | | | | |
| | | | | | | 52 | 51 | 50 | 49 | 48 | 46 | 45 | 44 | | | 39 | 38 | | | | | | | 34 | |
| | | | | | | 73 | | | 32 | 31 | 30 | 29 | 28 | | 26 | 25 | 23 | 22 | 21 | | | | | | 17 |
| SALEABLE | NOT APPLICABLE | 34566-6433 | 9 | A | BLACK | 72 | 71 | 70 | 68 | 67 | | 63 | 62 | 61 | 60 | 59 | 58 | 57 | 56 | 55 | | | | | |
| | | | | | | 52 | 51 | | 48 | 47 | 46 | | 43 | 42 | 40 | 39 | 38 | 37 | 36 | 35 | | | | | |
| | | | | | | 73 | | | 32 | | | 28 | 27 | | | 9 | 7 | 6 | 5 | | | | | 18 | 17 |

MX123 52/66/73/80-WAY RECEPTACLE ASSY SEALED PIN OUT SHEET

| STATUS | GM PART # | HRNS CONN ASSY | | | TPA | GROMMET CAP | | | | | | | | | | | | | | | | | | | | | | |
|----------|----------------|----------------|-------------------|------------------|--------------------|---|----|----|----|----|----|----|----|----|----|----|----|----|----|----|----|----|----|----|----|----|----|----|
| | | MATERIAL/PART | WIRE DRESS OPTION | KEY OPTION Fp | COLOR OPTION Fp | NUMBERS INDICATE CAVITIES OPEN FOR CIRCUITS | | | | | | | | | | | | | | | | | | | | | | |
| | | NUMBER | | | | Fp | | | | | | | | | | | | | | | | | | | | | | |
| SALEABLE | NOT APPLICABLE | 34566-6443 | 9 | B | ST GRAY | 72 | 71 | 70 | 69 | 68 | 67 | 66 | 65 | 64 | 63 | | 61 | 60 | | | 57 | 56 | 55 | | | | | |
| | | | | | | 52 | 51 | 50 | 49 | 48 | 47 | 46 | 45 | 44 | 43 | | 26 | 25 | 24 | 23 | 22 | 21 | 20 | 19 | 18 | 17 | | |
| | | | | | | 73 | | | | 32 | 31 | 30 | 29 | 28 | | 11 | | 9 | 8 | 7 | 6 | 5 | 4 | 3 | 2 | 1 | | |
| SALEABLE | NOT APPLICABLE | 34566-6453 | 0 | C | BLUE | | 71 | 70 | 69 | | 67 | | 65 | 64 | | 62 | 61 | 60 | | | 57 | | | 54 | | | | |
| | | | | | | 52 | 51 | 50 | 49 | 48 | 47 | 46 | 45 | 44 | | 42 | 41 | | | | 37 | | | | 34 | 33 | | |
| | | | | | | 73 | | | | 32 | | | | 28 | 27 | 26 | 25 | | | | | | | | | | 18 | 17 |
| SALEABLE | NOT APPLICABLE | 34566-6463 | 0 | B | ST GRAY | 72 | | | | 68 | 67 | | | | | 62 | 61 | | | | | | | 55 | | | | |
| | | | | | | 52 | | | | 48 | 47 | 46 | | | 43 | | | | | | | | | | | | | |
| | | | | | | 73 | | | | | | 30 | | | | | | | | | | | | | 20 | 19 | 18 | |
| SALEABLE | NOT APPLICABLE | 34566-6473 | 9 | C | BLUE | | | 70 | 69 | | 67 | 66 | | 64 | | 62 | | 60 | | | 57 | | 55 | 54 | | | | |
| | | | | | | 52 | 51 | 50 | | 48 | | 46 | 45 | 44 | | 42 | | | | | | 37 | | | 35 | 34 | 33 | |
| | | | | | | 73 | | | | 32 | | | | 28 | 27 | 26 | | | | | | | | | | | 19 | 18 |
| SALEABLE | NOT APPLICABLE | 34566-6483 | 9 | A | BLACK | 72 | 71 | 70 | 69 | 68 | | 66 | 65 | 64 | 63 | | 61 | 60 | | | 57 | 56 | | 54 | 53 | | | |
| | | | | | | 52 | 51 | 50 | 49 | 48 | | 46 | 45 | 44 | 43 | | | 40 | 39 | 38 | 37 | 36 | | | 34 | 33 | | |
| | | | | | | 73 | | | | 32 | 31 | 30 | 29 | 28 | | | 26 | 25 | | 23 | 22 | 21 | 20 | | | | | |
| SALEABLE | NOT APPLICABLE | 34566-6493 | 9 | B | ST GRAY | | | 70 | | | | | | | | 62 | 61 | | | | | | 55 | | | | | |
| | | | | | | 52 | | | | 48 | 47 | 46 | | | 43 | | | 41 | 40 | | | | | | | | | |
| | | | | | | 73 | | | | | | 30 | | | | | | | | | | | | | 20 | 19 | 18 | |
| SALEABLE | NOT APPLICABLE | 34566-6513 | 0 | B | ST GRAY | | | | | 68 | 67 | | | | | 62 | 61 | | | | | 55 | 54 | | | | | |
| | | | | | | 52 | | | | | | 46 | | | 43 | | | 40 | | | | | | | | | | |
| | | | | | | 73 | | | | 16 | 15 | 14 | | | | | | | 8 | | | | | | 4 | 3 | 2 | 1 |
| SALEABLE | NOT APPLICABLE | 34566-6523 | 0 | B | ST GRAY | | | | | 68 | 67 | | | 64 | | | | | 59 | 58 | | | | | | | | |
| | | | | | | | | | | | | 46 | 45 | | | | | | 39 | 38 | | | | | | | | |
| | | | | | | 73 | | | | 32 | | 30 | 29 | 28 | 27 | | | | 23 | 22 | | | | | | | | |
| SALEABLE | NOT APPLICABLE | 34566-6533 | 9 | B | ST GRAY | | | | | 68 | 67 | | | 64 | | | | | | | | | | | | | | |
| | | | | | | | | | | | | 46 | 45 | | | | | | | | | | | | | | | |
| | | | | | | 73 | | | | 32 | | 30 | 29 | 28 | 27 | | | | | | | | | | | | | 17 |
| SALEABLE | NOT APPLICABLE | 34566-6543 | 9 | A | BLACK | 72 | 71 | 70 | 69 | 68 | | 66 | 65 | 64 | 63 | | 61 | 60 | | | 57 | 56 | | 54 | 53 | | | |
| | | | | | | 52 | 51 | 50 | 49 | 48 | | 46 | 45 | 44 | 43 | | | 40 | 39 | 38 | 37 | 36 | | | 34 | 33 | | |
| | | | | | | 73 | | | | 32 | 31 | 30 | 29 | 28 | | | 26 | 25 | | 23 | 22 | 21 | 20 | | | | | |
| SALEABLE | NOT APPLICABLE | 34566-6553 | 9 | A | BLACK | | | 70 | 69 | | 67 | | 64 | 63 | | 60 | 59 | 58 | 57 | 56 | 55 | 54 | 53 | | | | | |
| | | | | | | 52 | 51 | 50 | 49 | | 47 | | 45 | 44 | 43 | 42 | 41 | 40 | 39 | | 37 | 36 | | | 34 | | | |
| | | | | | | 73 | | | | 32 | | 30 | | 28 | | 26 | | | | | | | | 19 | 18 | 17 | | |
| SALEABLE | NOT APPLICABLE | 34566-6563 | 9 | C | BLUE | | | 70 | | 68 | | 66 | | 64 | 63 | | 62 | | 59 | 58 | 57 | | | | | | | |
| | | | | | | 52 | 51 | | | 48 | 47 | 46 | | 44 | | | | 40 | 39 | | | | | | 34 | 33 | | |
| | | | | | | 73 | | | | 32 | | 30 | | | 27 | 26 | 25 | | 23 | 22 | 21 | 20 | | | | | | |
| SALEABLE | NOT APPLICABLE | 34566-6573 | 9 | A | BLACK | | | | 69 | | 67 | | 64 | 63 | | 60 | 59 | 58 | 57 | 56 | 55 | 54 | 53 | | | | | |
| | | | | | | 52 | 51 | 50 | 49 | | 47 | | 45 | 44 | 43 | 42 | 41 | 40 | 39 | | 37 | 36 | | | 34 | | | |
| | | | | | | 73 | | | | 32 | | 30 | | 28 | | 26 | | | 23 | | 21 | | 19 | 18 | | | | |
| SALEABLE | NOT APPLICABLE | 34566-6583 | 9 | A | BLACK | | | 70 | 69 | | | | | | 63 | 62 | 61 | 60 | | 58 | 57 | 56 | 55 | 54 | 53 | | | |
| | | | | | | 52 | 51 | 50 | 49 | | | | | 44 | 43 | 42 | 41 | 40 | 39 | | 37 | 36 | | | 34 | | | |
| | | | | | | 73 | | | | 32 | | | 29 | 28 | 27 | 26 | | | | | | | | | | 19 | 18 | |
| SALEABLE | NOT APPLICABLE | 34566-6593 | 0 | C | BLUE | | | | 69 | | 67 | | 64 | | 62 | | 60 | | | 57 | | 55 | 54 | | | | | |
| | | | | | | 52 | 51 | 50 | | 48 | | 46 | 45 | 44 | | 42 | | | | | 37 | | | 35 | 34 | 33 | | |
| | | | | | | 73 | | | | 32 | | | | 28 | 27 | 26 | | | | | | | | 20 | 19 | 18 | 17 | |

MX123 52/66/73/80-WAY RECEPTACLE ASSY SEALED PIN OUT SHEET

| STATUS | GM PART # | HRNS CONN ASSY | | | TPA | GROMMET CAP | | | | | | | | | | | | | | | | | | | | | |
|----------|----------------|----------------|-------------------|------------------|--------------------|---|----|----|----|----|----|----|----|----|----|----|----|----|----|----|----|----|----|----|----|----|----|
| | | MATERIAL/PART | WIRE DRESS OPTION | KEY OPTION Fp | COLOR OPTION Fp | NUMBERS INDICATE CAVITIES OPEN FOR CIRCUITS | | | | | | | | | | | | | | | | | | | | | |
| | | NUMBER | | | | Fp | | | | | | | | | | | | | | | | | | | | | |
| SALEABLE | NOT APPLICABLE | 34566-6613 | 0 | A | BLACK | 72 | 71 | 70 | 69 | | | 66 | | 64 | 63 | | 61 | 60 | | | 57 | 56 | | 54 | 53 | | |
| | | | | | | 52 | 51 | 50 | 49 | | | 46 | 45 | 44 | 43 | | 26 | 25 | | 23 | 22 | 21 | | | | 34 | 33 |
| | | | | | | 73 | | | | 32 | 31 | 30 | 29 | 28 | | | | | 9 | | 7 | 6 | 5 | | | | 2 |
| SALEABLE | NOT APPLICABLE | 34566-6623 | 9 | B | ST GRY | | | | | 68 | 67 | | | 64 | | | | | 59 | 58 | | | 54 | | | | |
| | | | | | | | | | | | | 46 | 45 | | | | | | 39 | 38 | | | | | | | |
| | | | | | | 73 | | | | 32 | | 30 | 29 | 28 | 27 | | | | | 23 | 22 | | | | | | |
| SALEABLE | NOT APPLICABLE | 34566-6633 | 9 | C | BLUE | | | | 69 | | 67 | 66 | | 64 | | 62 | | 60 | | | 57 | | | 54 | | | |
| | | | | | | 52 | 51 | 50 | | 48 | | 46 | 45 | 44 | | 42 | | | | | | 37 | | | | 34 | 33 |
| | | | | | | 73 | | | | | | | | 28 | 27 | 26 | | | | | | | | | | | |
| SALEABLE | NOT APPLICABLE | 34566-6643 | 9 | C | BLUE | | 71 | | | 68 | 67 | | 65 | 64 | 63 | | 61 | 60 | | 58 | 57 | | | 54 | | | |
| | | | | | | 52 | 51 | 50 | | 48 | | | 45 | | 43 | | 41 | | | | 38 | 37 | | | | 34 | 33 |
| | | | | | | 73 | | | | | | | | 28 | 27 | | 25 | | | | | | | | | | |
| SALEABLE | NOT APPLICABLE | 34566-6653 | 9 | B | ST GRY | 72 | | | | 68 | | | | | | 62 | 61 | 60 | 59 | | | | | 55 | | | |
| | | | | | | 52 | | | | 48 | 47 | 46 | | 44 | 43 | | 41 | 40 | | 38 | 37 | 36 | 35 | | | | |
| | | | | | | 73 | | | | | | 30 | | | | | | | | | | 20 | 19 | 18 | | | |
| SALEABLE | NOT APPLICABLE | 34566-6663 | 9 | A | BLACK | | | | | 68 | | | 65 | 64 | 63 | | | | | 57 | 56 | | | 54 | | | |
| | | | | | | 52 | 51 | 50 | 49 | 48 | | 46 | 45 | 44 | 43 | 42 | | 40 | 39 | 38 | 37 | 36 | | | | 34 | |
| | | | | | | 73 | | | | 32 | 31 | 30 | 29 | 28 | | | 26 | 25 | | 23 | 22 | 21 | 20 | | | | |
| SALEABLE | NOT APPLICABLE | 34566-6673 | 9 | B | ST GRY | 72 | 71 | 70 | 69 | 68 | 67 | 66 | 65 | 64 | 63 | | 61 | 60 | 59 | | 57 | 56 | 55 | | | | |
| | | | | | | 52 | 51 | 50 | 49 | 48 | 47 | 46 | 45 | 44 | 43 | | 41 | 40 | 39 | 38 | 37 | 36 | 35 | 34 | 33 | | |
| | | | | | | 73 | | | | 32 | 31 | 30 | 29 | 28 | | | 26 | | 24 | 23 | 22 | 21 | 20 | 19 | 18 | 17 | |
| SALEABLE | NOT APPLICABLE | 34566-6683 | 9 | A | BLACK | | | 70 | | 67 | | | | | 63 | | 60 | 59 | 58 | 57 | | | | | | | |
| | | | | | | 52 | | | | 48 | 47 | 46 | | | 43 | 42 | | 40 | 39 | 38 | 37 | | | | | | |
| | | | | | | 73 | | | | 32 | 31 | 30 | 29 | 28 | 27 | | | | | | 22 | 21 | | | | | |
| SALEABLE | NOT APPLICABLE | 34566-6693 | 9 | C | BLUE | 72 | 71 | 70 | 69 | | 67 | 66 | 65 | 64 | | | | | | | 56 | | | 54 | | | |
| | | | | | | 52 | 51 | 50 | 49 | | 47 | 46 | 45 | 44 | | | | | 39 | 38 | | | | | | 34 | |
| | | | | | | 73 | | | | | | 31 | 30 | 29 | 28 | | | 26 | 25 | 24 | 23 | 22 | 21 | | | | |
| SALEABLE | TBD | 34822-0063 | 9 | A | BLACK | | 63 | 62 | 61 | 60 | 59 | | | | | 54 | 53 | | 51 | | 49 | | | | 66 | | |
| | | | | | | | 47 | | | | | | | | | 38 | 37 | | 35 | | 33 | | | | | | |
| | | | | | | 65 | | | | | | | | | 28 | | | 25 | | 22 | 21 | 20 | 19 | 18 | 17 | | |
| SALEABLE | NOT APPLICABLE | 34566-6713 | 9 | A | BLACK | 72 | 71 | 70 | 69 | 68 | | | 66 | 65 | 64 | 63 | | 61 | 60 | | 57 | 56 | | | 54 | 53 | |
| | | | | | | 52 | 51 | 50 | 49 | 48 | | 46 | 45 | 44 | 43 | 42 | 41 | 40 | 39 | 38 | 37 | 36 | | | | 34 | 33 |
| | | | | | | 73 | | | | 32 | 31 | 30 | 29 | 28 | | | 26 | 25 | | 23 | 22 | 21 | | | | | |
| SALEABLE | NOT APPLICABLE | 34566-6723 | 0 | H | ST GRY | | 79 | | | | | | 74 | 73 | | | | | 67 | | 65 | 64 | 63 | 62 | 61 | | |
| | | | | | | | 59 | | | | | | | 53 | 52 | | | | | | | 25 | | 44 | 43 | 42 | 41 |
| | | | | | | | | 38 | | | | | | 33 | | | | | | | | 27 | | | | | |
| SALEABLE | NOT APPLICABLE | 34566-6733 | 0 | G | BLUE | | | 78 | 77 | | 75 | 74 | | 72 | | 70 | | | | 64 | 63 | | | | | | |
| | | | | | | 60 | | 58 | 57 | | 55 | 54 | | 52 | 51 | 50 | 49 | | 47 | | 45 | | | | | | |
| | | | | | | 40 | 39 | 38 | 37 | | | | 33 | 32 | 31 | | | | | 27 | 26 | | | | | | |
| SALEABLE | NOT APPLICABLE | 34566-6743 | 9 | C | BLUE | | | | | 68 | 67 | | 65 | 64 | 63 | | 61 | 60 | | 57 | | | | 34 | 33 | | |
| | | | | | | 52 | 51 | 50 | | 48 | | 46 | 45 | | 43 | | 41 | | | | 37 | | | | | | |
| | | | | | | 73 | | | | | | | | 28 | 27 | | 25 | | | | | | | | | | |
| SALEABLE | NOT APPLICABLE | 34566-6753 | 9 | A | BLACK | 72 | 71 | 70 | 69 | 68 | | | 66 | 65 | 64 | | | 61 | 60 | | 57 | 56 | | | 54 | 53 | |
| | | | | | | 52 | 51 | 50 | 49 | 48 | | 46 | 45 | 44 | 43 | 42 | | 40 | 39 | 38 | 37 | 36 | | | | 34 | 33 |
| | | | | | | 73 | | | | | | 31 | 30 | 29 | 28 | | | | | 23 | 22 | 21 | 20 | | | | |

MX123 52/66/73/80-WAY RECEPTACLE ASSY SEALED PIN OUT SHEET

| STATUS | GM PART # | HRNS CONN ASSY | | | TPA | GROMMET CAP | | | | | | | | | | | | | | | | | | | | | |
|----------|----------------|----------------|-------------------|------------------|--------------------|---|----|----|----|----|----|----|----|----|----|----|----|----|----|----|----|----|----|----|----|----|----|
| | | MATERIAL/PART | WIRE DRESS OPTION | KEY OPTION Fp | COLOR OPTION Fp | NUMBERS INDICATE CAVITIES OPEN FOR CIRCUITS | | | | | | | | | | | | | | | | | | | | | |
| | | NUMBER | | | | Fp | | | | | | | | | | | | | | | | | | | | | |
| SALEABLE | NOT APPLICABLE | 34566-6933 | 9 | B | ST GRN | 72 | | | | 68 | 67 | | | | 63 | 62 | 61 | 60 | 59 | | | | 55 | | 53 | | |
| | | | | | | 52 | | | | 48 | 47 | 46 | | 44 | 43 | | 41 | 40 | | | | 38 | 37 | 36 | 35 | | |
| | | | | | | 73 | | | | | | 30 | | | 27 | | | | | | | 22 | 21 | 20 | 19 | 18 | 17 |
| SALEABLE | NOT APPLICABLE | 34566-6943 | 9 | A | BLACK | 72 | 71 | 70 | 69 | 68 | | 66 | 65 | 64 | 63 | | 61 | 60 | | | | 57 | 56 | | 54 | 53 | |
| | | | | | | 52 | 51 | 50 | 49 | 48 | | 46 | 45 | 44 | 43 | 42 | 41 | 40 | 39 | 38 | 37 | 36 | | | 34 | 33 | |
| | | | | | | 73 | | | | 32 | 31 | 30 | 29 | 28 | | | | | | | 23 | 22 | 21 | | | | |
| SALEABLE | NOT APPLICABLE | 34566-6953 | 0 | A | BLACK | 72 | 71 | 70 | 69 | | | 66 | 65 | 64 | 63 | | 61 | 60 | | | | 57 | 56 | | 54 | 53 | |
| | | | | | | 52 | 51 | 50 | 49 | | | 46 | 45 | 44 | 43 | | | 40 | 39 | 38 | 37 | 36 | | | 34 | 33 | |
| | | | | | | 73 | | | | 32 | 31 | 30 | 29 | 28 | | | 26 | 25 | | 23 | 22 | 21 | 20 | | | | |
| SALEABLE | NOT APPLICABLE | 34566-6963 | 0 | B | ST GRN | 72 | | 70 | | 68 | 67 | | | | | 62 | 61 | | | | | | 55 | | | | |
| | | | | | | 52 | | | | 48 | 47 | 46 | | | 43 | | | 40 | | | | | | | 20 | 19 | 18 |
| | | | | | | 73 | | | | | | 30 | | | | | | | | | | | | | 8 | | 4 |
| SALEABLE | NOT APPLICABLE | 34566-6973 | 0 | C | BLUE | | 71 | 70 | 69 | | | 67 | | 65 | 64 | | 62 | 61 | 60 | | | 57 | | 55 | 54 | | |
| | | | | | | 52 | 51 | 50 | 49 | 48 | 47 | 46 | 45 | 44 | | 42 | 41 | | | | | | 37 | | 35 | 34 | 33 |
| | | | | | | 73 | | | | 32 | | | | 28 | 27 | 26 | 25 | | | | | | | | | 19 | 18 |
| SALEABLE | NOT APPLICABLE | 34566-6983 | 0 | C | BLUE | | 71 | | 69 | | | 67 | | 65 | 64 | | 62 | 61 | 60 | | | 57 | | 54 | | | |
| | | | | | | 52 | 51 | 50 | | 48 | 47 | 46 | 45 | 44 | | 42 | | | | | | | 37 | | 34 | 33 | |
| | | | | | | 73 | | | | | | | | 28 | 27 | 26 | | | | | | | | | | | 18 |
| SALEABLE | NOT APPLICABLE | 34566-6993 | 0 | G | BLUE | | | 78 | 77 | 76 | | | | | | | | | 67 | 66 | 65 | | | | | | |
| | | | | | | 40 | 39 | 38 | 37 | 36 | 35 | 34 | 33 | 32 | | | 29 | 28 | | | | | 25 | | | | 21 |
| | | | | | | 20 | 19 | 18 | 17 | 16 | 15 | 14 | 13 | 12 | | | | | | | | | | | | 3 | |
| SALEABLE | NOT APPLICABLE | 34566-7013 | 9 | A | BLACK | | 71 | 70 | 69 | | | | | 64 | 63 | 62 | 61 | 60 | 59 | 58 | 57 | 56 | 55 | 54 | 53 | | |
| | | | | | | 52 | 51 | 50 | 49 | | | | 45 | 44 | 43 | 42 | 41 | | 39 | | 37 | 36 | | | 34 | | |
| | | | | | | 73 | | | | 32 | | | 29 | 28 | 27 | 26 | | | | | | | | | | 19 | 18 |
| SALEABLE | NOT APPLICABLE | 34566-7023 | 0 | A | BLACK | 72 | 71 | 70 | 69 | 68 | | 66 | 65 | 64 | | | 61 | 60 | | | | 57 | 56 | | 54 | 53 | |
| | | | | | | 52 | 51 | 50 | 49 | 48 | | 46 | 45 | 44 | 43 | | | 40 | 39 | 38 | 37 | 36 | | | 34 | 33 | |
| | | | | | | 73 | | | | | | 31 | 30 | 29 | 28 | | | 26 | 25 | | 23 | 22 | 21 | 20 | | | |
| SALEABLE | NOT APPLICABLE | 34566-7033 | 0 | A | BLACK | | | 70 | 69 | | | | | 65 | | 63 | 62 | 61 | 60 | | | 58 | 57 | 56 | 55 | 54 | 53 |
| | | | | | | 52 | 51 | | 49 | | | | | 44 | 43 | 42 | 41 | | | | | | 37 | 36 | | 34 | |
| | | | | | | 73 | | | | 32 | | | 29 | 28 | 27 | 26 | | | | | | | 21 | | | 19 | 18 |
| SALEABLE | NOT APPLICABLE | 34566-7043 | 0 | B | ST GRN | 72 | | | | 68 | 67 | | | | 63 | 62 | 61 | 60 | 59 | | | | 55 | | | | |
| | | | | | | 52 | | | | | | 46 | | | 43 | | 41 | 40 | | | | | | | | | |
| | | | | | | 73 | | | | | | 16 | | 14 | | | 11 | | | 8 | | | | | 20 | 19 | 18 |
| SALEABLE | NOT APPLICABLE | 34566-7053 | 0 | C | BLUE | | 71 | | 69 | | | 67 | | 65 | 64 | | 62 | 61 | 60 | | | 57 | | 54 | | | |
| | | | | | | 52 | 51 | 50 | 49 | 48 | 47 | 46 | 45 | 44 | | 42 | 41 | | | | | | 37 | | 34 | 33 | |
| | | | | | | 73 | | | | 16 | 15 | 14 | 13 | 12 | 11 | 10 | 9 | 8 | 7 | | | | | | | | |
| SALEABLE | NOT APPLICABLE | 34566-7063 | 0 | C | BLUE | 72 | | 70 | | 68 | 67 | 66 | | | 63 | 62 | | | 59 | | 57 | | | | 53 | | |
| | | | | | | 52 | 51 | | | 48 | 47 | 46 | | 44 | | | | 40 | 39 | | | | | | 34 | 33 | |
| | | | | | | 73 | | | | 32 | | 30 | | | | 26 | 25 | | | | 22 | 21 | | | | | |
| SALEABLE | NOT APPLICABLE | 34566-7073 | 9 | F | NATURAL | | | | 69 | 68 | | | | | | | | | | 58 | 57 | | | | 33 | | |
| | | | | | | 73 | | | | | | 30 | | | | | | | | | | | | | 19 | 18 | 17 |
| | | | | | | | | | | | | | | | | | | | | | | | | | | 3 | 2 |
| SALEABLE | NOT APPLICABLE | 34566-7083 | 9 | B | ST GRN | | | | | | | | | | | | | | | | | | | | | | |
| | | | | | | 73 | | | | 16 | 15 | 14 | 13 | 12 | 11 | 10 | | | 8 | 7 | | | | | 3 | 2 | 1 |

MX123 52/66/73/80-WAY RECEPTACLE ASSY SEALED PIN OUT SHEET

| STATUS | GM PART # | HRNS CONN ASSY | | | TPA | GROMMET CAP | | | | | | | | | | | | | | | | | | | | | | | | | | | | | |
|----------|----------------|----------------|-------------------|------------------|--------------------|---|----|----|----|----|----|----|----|----|----|----|----|----|----|----|----|----|----|----|----|----|----|----|----|----|----|----|----|----|----|
| | | MATERIAL/PART | WIRE DRESS OPTION | KEY OPTION Fp | COLOR OPTION Fp | NUMBERS INDICATE CAVITIES OPEN FOR CIRCUITS | | | | | | | | | | | | | | | | | | | | | | | | | | | | | |
| | | NUMBER | | | | Fp | | | | | | | | | | | | | | | | | | | | | | | | | | | | | |
| SALEABLE | TBD | 34822-0083 | 9 | A | BLACK | | 63 | 62 | 61 | 60 | 59 | | | | | | 54 | 53 | | 51 | | 49 | 66 | | | | | | | | | | | | |
| | | | | | | | 47 | | | | | | | | | 39 | 38 | 37 | | 35 | | | | 22 | 21 | 20 | 19 | 18 | 17 | | | | | | |
| | | | | | | 65 | | | | | | | | | | 28 | | | | 25 | | | | | | 8 | 7 | | | | 3 | 2 | 1 | | |
| SALEABLE | NOT APPLICABLE | 34566-7253 | 0 | B | ST GRAY | 72 | | | | | | | | | | 62 | 61 | | | | | | | | | | | | | | | | | | |
| | | | | | | 52 | | | | 48 | 47 | 46 | | 44 | 43 | | | 41 | 40 | | | | | | | | | | | | | | | | |
| | | | | | | 73 | | | | | | | | | | | | | | | | | | | | | | | | 20 | 19 | 18 | | | |
| SALEABLE | NOT APPLICABLE | 34566-7263 | 0 | C | BLUE | | | | 69 | | 67 | 66 | | 64 | | 62 | | 60 | | | | 57 | | | | | | | | 54 | | | | | |
| | | | | | | 52 | 51 | 50 | | 48 | | 46 | 45 | 44 | | 42 | | | | | | | | 37 | | | | | | | | 34 | 33 | | |
| | | | | | | 73 | | | | | | | | | | | | 28 | 27 | 26 | | | | | | | | | | | | | 18 | | |
| SALEABLE | NOT APPLICABLE | 34566-7273 | 0 | C | BLUE | | | | 69 | | 67 | 66 | | 64 | | 62 | | 60 | | | | 57 | | | | | | | | 55 | 54 | | | | |
| | | | | | | 52 | 51 | 50 | | 48 | | 46 | 45 | 44 | | 42 | | | | | | | | 37 | | | | | | | | 35 | 34 | 33 | |
| | | | | | | 73 | | | | | | | | | | | | | | | | | | | | | | | | | | | 19 | 18 | 17 |
| SALEABLE | NOT APPLICABLE | 34566-7283 | 0 | C | BLUE | | | | 69 | | 67 | 66 | | 64 | | 62 | | 60 | | | | 57 | | | | | | | | | 54 | | | | |
| | | | | | | 52 | 51 | 50 | 49 | 48 | | 46 | 45 | 44 | | 42 | | | | | | | | 37 | | | | | | | | 34 | 33 | | |
| | | | | | | 73 | | | | | | | | | | | | | | | | | | | | | | | | | | | | 18 | |
| SALEABLE | NOT APPLICABLE | 34566-7293 | 9 | A | BLACK | 72 | 71 | 70 | 69 | 68 | 67 | 66 | 65 | 64 | 63 | 62 | 61 | 60 | 59 | | | | 57 | | | | | | | | 53 | | | | |
| | | | | | | 52 | 51 | 50 | 49 | 48 | 47 | 46 | 45 | 44 | 43 | | | | | | | | | | 39 | | | | | | | | 34 | 33 | |
| | | | | | | 73 | | | | | | | | | | | | | | | | | | | | | | | | | | | | | 17 |
| SALEABLE | NOT APPLICABLE | 34566-7313 | 0 | B | ST GRAY | 72 | | | | | 67 | | | | | 62 | 61 | | | | | | | | | | | | | 55 | | | | | |
| | | | | | | 52 | | | | 48 | 47 | 46 | | | 43 | | | 40 | | | | | | | | | | | | | | | | | |
| | | | | | | 73 | | | | | | | | | | | | | | | | | | | | | | | | | | | | 22 | 21 |
| SALEABLE | NOT APPLICABLE | 34566-7333 | 9 | B | ST GRAY | 72 | 71 | 70 | 69 | 68 | 67 | 66 | 65 | 64 | 63 | 62 | 61 | 60 | 59 | | | | 57 | 56 | 55 | | | | | | | | | | |
| | | | | | | 52 | 51 | 50 | 49 | 48 | 47 | 46 | 45 | 44 | 43 | | | | | | | | | | 39 | 38 | 37 | 36 | 35 | 34 | 33 | | | | |
| | | | | | | 73 | | | | | | | | | | | | | | | | | | | | | | | | | | | | | |
| SALEABLE | NOT APPLICABLE | 34566-7343 | 9 | B | ST GRAY | | | | | 68 | 67 | | | 64 | 63 | | | | | | | 59 | 58 | | | | | | | 55 | 54 | | | | |
| | | | | | | | | | | | | 46 | 45 | 44 | 43 | | | | | | | | | | 39 | 38 | | | | | | | 35 | | |
| | | | | | | 73 | | | | | | | | | | | | | | | | | | | | | | | | | | | | | |
| SALEABLE | NOT APPLICABLE | 34566-7353 | 9 | C | BLUE | | | | 69 | | 67 | 66 | | 64 | | 62 | | 60 | | | | | 57 | | | | | | | | 55 | 54 | | | |
| | | | | | | 52 | 51 | 50 | | 48 | 47 | 46 | 45 | 44 | | 42 | | | | | | | | | 37 | | | | | | | | 35 | 34 | 33 |
| | | | | | | 73 | | | | | | | | | | | | | | | | | | | | | | | | | | | | | |
| SALEABLE | NOT APPLICABLE | 34566-7363 | 0 | B | ST GRAY | 72 | | | 70 | | 68 | | | | | 62 | 61 | 60 | 59 | | | | | | | | | | | | 55 | | | | |
| | | | | | | 52 | | | | | | 46 | | 44 | 43 | | | 41 | 40 | | | | | | | | | | | | | | | | |
| | | | | | | 73 | | | | | | | | | | | | | | | | | | | | | | | | | | | | | |
| SALEABLE | NOT APPLICABLE | 34566-7373 | 0 | A | BLACK | 72 | 71 | 70 | 69 | 68 | | 66 | 65 | 64 | | | 61 | 60 | | | | | 57 | 56 | | | | | | | 54 | 53 | | | |
| | | | | | | 52 | 51 | 50 | 49 | 48 | | 46 | 45 | 44 | 43 | 42 | | 40 | 39 | 38 | 37 | 36 | | | | | | | | | | | 34 | 33 | |
| | | | | | | 73 | | | | | | | | | | | | | | | | | | | | | | | | | | | | | |
| SALEABLE | NOT APPLICABLE | 34566-7383 | 0 | C | BLUE | | 71 | 70 | | | 67 | 66 | 65 | 64 | | | 61 | 60 | | | | | 57 | | | | | | | | 54 | | | | |
| | | | | | | 52 | 51 | 50 | 49 | 48 | 47 | | 45 | 44 | | | 41 | | | | | | | | 37 | | | | | | | | 34 | 33 | |
| | | | | | | 73 | | | | | | | | | | | | | | | | | | | | | | | | | | | | | |
| SALEABLE | NOT APPLICABLE | 34566-7393 | 0 | B | ST GRAY | 72 | | | | | 67 | | | | | 62 | 61 | | | | | | | | | | | | | | 55 | | | | |
| | | | | | | 52 | | | | 48 | 47 | 46 | | 44 | 43 | | | 40 | | | | | | | | | | | | | | | | | |
| | | | | | | 73 | | | | | | | | | | | | | | | | | | | | | | | | | | | | | |
| SALEABLE | NOT APPLICABLE | 34566-7413 | 0 | A | BLACK | 72 | 71 | 70 | 69 | 68 | | 66 | 65 | 64 | 63 | | 61 | 60 | | | | | 57 | 56 | | | | | | | 54 | 53 | | | |
| | | | | | | | 51 | 50 | 49 | 48 | | 46 | 45 | 44 | 43 | 42 | | 40 | 39 | 38 | 37 | 36 | | | | | | | | | | | 34 | 33 | |
| | | | | | | 73 | | | | | | | | | | | | | | | | | | | | | | | | | | | | | |

MX123 52/66/73/80-WAY RECEPTACLE ASSY SEALED PIN OUT SHEET

| STATUS | GM PART # | HRNS CONN ASSY | | | TPA | GROMMET CAP | | | | | | | | | | | | | | | | | | | | | | | | | | | | | |
|----------|----------------|----------------|-------------------|------------------|--------------------|---|----|----|----|----|----|----|----|----|----|----|----|----|----|----|----|----|----|----|----|----|----|----|----|----|----|----|----|----|----|
| | | MATERIAL/PART | WIRE DRESS OPTION | KEY OPTION Fp | COLOR OPTION Fp | NUMBERS INDICATE CAVITIES OPEN FOR CIRCUITS | | | | | | | | | | | | | | | | | | | | | | | | | | | | | |
| | | NUMBER | | | | Fp | | | | | | | | | | | | | | | | | | | | | | | | | | | | | |
| SALEABLE | NOT APPLICABLE | 34566-7423 | 0 | C | BLUE | 70 | 69 | 67 | 64 | 61 | 60 | 57 | 54 | 52 | 51 | 50 | 49 | 48 | 47 | 46 | 45 | 44 | 41 | 40 | 37 | 34 | 33 | | | | | | | | |
| | | | | | | 73 | | | | 32 | 28 | 27 | 25 | 20 | 19 | 18 | 17 | | | | | | | | | | | | | | | | | | |
| | | | | | | 16 | 15 | 14 | 13 | 12 | 11 | 10 | 9 | 8 | 7 | | | | | | | | | | | | | | | | | | | | |
| SALEABLE | NOT APPLICABLE | 34566-7433 | 0 | B | ST GRAY | 72 | | | | 68 | | | | 62 | 61 | 60 | 59 | | | | | | | | | 55 | | | | | | | | | |
| | | | | | | 73 | | | | 48 | 47 | 46 | | 44 | 43 | | 41 | 40 | | 38 | 37 | 36 | 35 | | | | | | | | | | | | |
| | | | | | | 16 | 15 | 14 | | | | | | | | | | 8 | | | | | | | | | | 20 | 19 | 18 | 17 | | | | |
| SALEABLE | NOT APPLICABLE | 34566-7443 | 0 | A | BLACK | 72 | 71 | 70 | 69 | 68 | | 66 | 65 | 64 | 63 | | | 60 | | | | | | | 57 | 56 | | 54 | | | | | | | |
| | | | | | | 73 | | | | 52 | 51 | 50 | 49 | 48 | | 46 | 45 | 44 | 43 | 42 | | 40 | 39 | 38 | 37 | 36 | | | 34 | | | | | | |
| | | | | | | | | | | | | | | | | | | | | | | | | | | | | | | | 2 | | | | |
| SALEABLE | NOT APPLICABLE | 34566-7453 | 0 | C | BLUE | 71 | 70 | | | 67 | 66 | 65 | 64 | | | 61 | 60 | | | | | | | | 58 | 57 | | 54 | | | | | | | |
| | | | | | | 73 | | | | 52 | 51 | 50 | 49 | 48 | 47 | 46 | 45 | 44 | | 41 | | | | | | | 38 | 37 | | 34 | 33 | | | | |
| | | | | | | | | | | | | | | | | | | | | | | | | | | | | | | | 18 | 17 | | | |
| SALEABLE | NOT APPLICABLE | 34566-7463 | 0 | B | ST GRAY | 72 | | | | 68 | | | | | 62 | 61 | | | | | | | | | | | 55 | | | | | | | | |
| | | | | | | 73 | | | | 52 | | | | 48 | 47 | 46 | | 44 | 43 | | 40 | | | | | | | | | | | | | | |
| | | | | | | | | | | | | | | | | | | | | | | | | | | | | | | | 22 | 21 | 20 | 19 | 18 |
| SALEABLE | NOT APPLICABLE | 34566-7473 | 0 | B | ST GRAY | 72 | | | | 68 | 67 | | | | 63 | 62 | 61 | | | | | | | | | | 55 | | | | | | | | |
| | | | | | | 73 | | | | 52 | | | | 48 | 47 | 46 | | 44 | 43 | | 40 | | | | | | | | | | | | | | |
| | | | | | | | | | | | | | | | | | | | | | | | | | | | | | | | | | | | |
| SALEABLE | NOT APPLICABLE | 34566-7483 | 0 | B | ST GRAY | 72 | | | | 68 | | | | | 62 | 61 | | | | | | | | | | | 55 | | | | | | | | |
| | | | | | | 73 | | | | 52 | | | | 48 | 47 | 46 | | 44 | 43 | | 40 | | | | | | | | | | | | | | |
| | | | | | | | | | | | | | | | | | | | | | | | | | | | | | | | | | | | |
| SALEABLE | NOT APPLICABLE | 34566-7493 | 0 | C | BLUE | | | | 69 | | 67 | | | 64 | | | 62 | | | | | | | | 57 | | 55 | 54 | | | | | | | |
| | | | | | | 73 | | | | 52 | 51 | 50 | | 48 | 47 | 46 | 45 | 44 | | 42 | | | | | | | | 37 | | 35 | 34 | 33 | | | |
| | | | | | | | | | | | | | | | | | | | | | | | | | | | | | | | | | | | |
| SALEABLE | NOT APPLICABLE | 34566-7513 | 9 | A | BLACK | 72 | 71 | 70 | 69 | 68 | | 66 | 65 | 64 | 63 | | | 61 | 60 | | | | | | | 57 | 56 | | 54 | 53 | | | | | |
| | | | | | | 73 | | | | 52 | 51 | 50 | 49 | 48 | | 46 | 45 | 44 | 43 | | 40 | 39 | 38 | 37 | 36 | | | | | | 34 | 33 | | | |
| | | | | | | | | | | | | | | | | | | | | | | | | | | | | | | | | | | | |
| SALEABLE | NOT APPLICABLE | 34566-7523 | 0 | A | BLACK | 72 | | | | | | | | 64 | | | 62 | 61 | | | | | | | | | 55 | 54 | | | | | | | |
| | | | | | | 73 | | | | 52 | 51 | | | 48 | 47 | 46 | 45 | | 43 | | 41 | 40 | | | | | | | | | | | | | |
| | | | | | | | | | | | | | | | | | | | | | | | | | | | | | | | | | | | |
| SALEABLE | NOT APPLICABLE | 34566-7533 | 0 | G | BLUE | 80 | 79 | 78 | | | | | | | | | | 67 | | | | | | | | | | | | | | | | | |
| | | | | | | 73 | | | | 60 | 59 | 58 | 57 | | | 54 | | | 51 | 50 | 49 | 48 | 47 | | | | | | | 45 | 44 | | 42 | 41 | |
| | | | | | | | | | | | | | | | | | | | | | | | | | | | | | | | | | | | |
| SALEABLE | NOT APPLICABLE | 34566-7563 | 0 | C | BLUE | 40 | 39 | | 37 | 36 | | 34 | 33 | 32 | | | 30 | 29 | 28 | 27 | | | | | | | | | | | | | | | |
| | | | | | | 73 | | | | 20 | 19 | 18 | | | | | | | | | | | | | | | | | | | | | | | |
| | | | | | | | | | | | | | | | | | | | | | | | | | | | | | | | | | | | |
| SALEABLE | NOT APPLICABLE | 34566-7573 | 0 | B | ST GRAY | 72 | | | 70 | 68 | | | | | | 62 | 61 | | | | | | | | | | | 55 | | | | | | | |
| | | | | | | 73 | | | | 52 | | | | 48 | 47 | 46 | | 44 | 43 | | 40 | | | | | | | | | | | | | | |
| | | | | | | | | | | | | | | | | | | | | | | | | | | | | | | | | | | | |

MX123 52/66/73/80-WAY RECEPTACLE ASSY SEALED PIN OUT SHEET

| STATUS | GM PART # | HRNS CONN ASSY | | | TPA | GROMMET CAP | | | | | | | | | | | | | | | | | | | | | |
|----------|----------------|----------------|-------------------|------------------|--------------------|---|----|----|----|----|----|----|----|----|----|----|----|----|----|----|----|----|----|----|----|----|---|
| | | MATERIAL/PART | WIRE DRESS OPTION | KEY OPTION Fp | COLOR OPTION Fp | NUMBERS INDICATE CAVITIES OPEN FOR CIRCUITS | | | | | | | | | | | | | | | | | | | | | |
| | | NUMBER | | | | Fp | | | | | | | | | | | | | | | | | | | | | |
| SALEABLE | NOT APPLICABLE | 34566-7683 | 9 | B | ST GRY | 72 | 71 | 70 | 69 | 68 | 67 | 66 | 65 | 64 | 63 | 62 | 61 | 60 | 59 | | 57 | 56 | 55 | | | | |
| | | | | | | 52 | 51 | 50 | 49 | 48 | 47 | 46 | 45 | 44 | 43 | | 26 | 25 | 24 | 23 | 22 | 21 | 20 | 19 | 18 | 17 | |
| | | | | | | 73 | | | | 32 | 31 | 30 | 29 | 28 | | 11 | | 9 | 8 | 7 | 6 | 5 | 4 | 3 | 2 | 1 | |
| SALEABLE | NOT APPLICABLE | 34566-7693 | 9 | A | BLACK | 72 | | | | | | | 64 | | 62 | 61 | | | 57 | 56 | 55 | 54 | | | | | |
| | | | | | | 52 | 51 | | | | | 46 | 45 | | 43 | | 40 | | | 37 | | 35 | 34 | | | | |
| | | | | | | 73 | | | | 32 | 31 | 30 | 29 | | 27 | | 25 | | | | | 20 | | | | | |
| SALEABLE | NOT APPLICABLE | 34566-7713 | 9 | A | BLACK | 72 | | | | | | | 64 | | 62 | 61 | | | 58 | 57 | 56 | 55 | 54 | | | | |
| | | | | | | 52 | 51 | | | 48 | | 46 | 45 | | 43 | | 41 | 40 | | | 37 | | 35 | 34 | | | |
| | | | | | | 73 | | | | 32 | | 30 | 29 | | 27 | | 25 | | | | | 20 | | | | | |
| SALEABLE | NOT APPLICABLE | 34566-7723 | 9 | A | BLACK | 72 | | | | | | | 64 | | 62 | 61 | | | 57 | 56 | 55 | 54 | 53 | | | | |
| | | | | | | 52 | 51 | | | 48 | | 46 | 45 | | 43 | | 41 | 40 | | | 37 | | 35 | 34 | | | |
| | | | | | | 73 | | | | 32 | | 30 | 29 | | 27 | | 25 | | | | | 20 | | | | | |
| SALEABLE | NOT APPLICABLE | 34566-7733 | 9 | A | BLACK | 72 | | | | | | | 64 | | 62 | 61 | | | 57 | 56 | 55 | 54 | 53 | | | | |
| | | | | | | 52 | 51 | | | 48 | | 46 | 45 | | 43 | | 41 | 40 | | | 37 | | 35 | 34 | | | |
| | | | | | | 73 | | | | 32 | | 30 | 29 | | 27 | | 25 | | | | | 20 | | | | | |
| SALEABLE | NOT APPLICABLE | 34566-7743 | 0 | C | BLUE | 72 | | 70 | | 68 | 67 | 66 | | 64 | 63 | 62 | 61 | 60 | 59 | 57 | | | | | | | |
| | | | | | | 52 | 51 | | 49 | 48 | 47 | 46 | | 44 | | 41 | 40 | 39 | | 37 | 36 | 35 | 34 | 33 | | | |
| | | | | | | 73 | | | | 32 | | 30 | | | 27 | 26 | 25 | 24 | | 22 | 21 | 20 | | | | | |
| SALEABLE | NOT APPLICABLE | 34566-7753 | 0 | A | BLACK | | 71 | 70 | 69 | 68 | 67 | | | 64 | 63 | 62 | 61 | 60 | 59 | 58 | 57 | 56 | 55 | 54 | 53 | | |
| | | | | | | 52 | 51 | 50 | 49 | | | 45 | 44 | 43 | 42 | 41 | | 39 | 38 | 37 | 36 | | 34 | | | | |
| | | | | | | 73 | | | | 32 | 31 | | 29 | 28 | 27 | 26 | 25 | | | | | | 19 | 18 | | | |
| SALEABLE | NOT APPLICABLE | 34566-7763 | 0 | F | NATURAL | | | | | | | | | | | | | | | | | | | | | | |
| | | | | | | 73 | | | | | | | | | | | | | | | | | | | | | |
| | | | | | | | | | | | | | | | | | | | | | | | | | | | |
| SALEABLE | NOT APPLICABLE | 34566-7773 | 0 | B | ST GRY | 72 | | 70 | | | | | | | 63 | 62 | 61 | 60 | 59 | | | | | | | | |
| | | | | | | 52 | | | | | | 46 | | | 43 | | 41 | 40 | | | | | | | | | |
| | | | | | | 73 | | | | 16 | | 14 | | | 11 | | | | | 6 | | 4 | | | | | |
| SALEABLE | TBD | 34822-0153 | 9 | A | BLACK | | 63 | 62 | 61 | 60 | 59 | | | | | 54 | 53 | | 51 | | 49 | 66 | | | | | |
| | | | | | | | 47 | | | | | | | | 38 | 37 | | 35 | | 33 | | | | | | | |
| | | | | | | 65 | | | | | | 15 | 14 | 13 | | | 28 | | 25 | | 22 | 21 | 20 | 19 | 18 | 17 | |
| SALEABLE | NOT APPLICABLE | 34566-7783 | 0 | A | BLACK | 72 | 71 | 70 | 69 | 68 | | 66 | 65 | 64 | 63 | | | 60 | | 57 | 56 | | 54 | | | | |
| | | | | | | 52 | 51 | 50 | 49 | 48 | | 46 | 45 | 44 | 43 | 42 | 41 | 40 | 39 | 38 | 37 | 36 | | 34 | | | |
| | | | | | | 73 | | | | 32 | 31 | 30 | 29 | 28 | | 26 | 25 | | 23 | 22 | 21 | | | | | 2 | 1 |
| SALEABLE | NOT APPLICABLE | 34566-7793 | 0 | A | BLACK | 72 | | 70 | | | 67 | 66 | 65 | | 63 | | | 60 | 59 | 58 | 57 | 56 | 55 | | | | |
| | | | | | | 52 | 51 | | 49 | 48 | 47 | 46 | 45 | | 43 | 42 | | 40 | 39 | 38 | 37 | 36 | 35 | | | | |
| | | | | | | 73 | | | | | | | | 28 | 27 | | | 23 | 22 | 21 | | | | | 18 | 17 | |
| SALEABLE | NOT APPLICABLE | 34566-7813 | 0 | A | BLACK | | | 70 | 69 | 68 | 67 | | | | 63 | 62 | 61 | 60 | 59 | 58 | 57 | 56 | 55 | 54 | 53 | | |
| | | | | | | 52 | 51 | 50 | 49 | | | | | 44 | 43 | 42 | 41 | 40 | 39 | 38 | 37 | 36 | | 34 | | | |
| | | | | | | 73 | | | | 32 | | | 29 | 28 | 27 | 26 | 25 | | | | 21 | | 19 | 18 | | | |
| SALEABLE | NOT APPLICABLE | 34566-7823 | 0 | B | ST GRY | | | | | 68 | 67 | | | | 63 | 62 | 61 | 60 | 59 | | | | | | | | |
| | | | | | | 52 | | | | 48 | 47 | 46 | | 44 | 43 | | 41 | 40 | | 38 | 37 | 36 | 35 | | | | |
| | | | | | | 73 | | | | 16 | | 14 | | | 11 | | | 8 | | | | 4 | | | | | 1 |
| SALEABLE | NOT APPLICABLE | 34566-7833 | 0 | B | ST GRY | 72 | 71 | 70 | 69 | 68 | 67 | 66 | 65 | 64 | 63 | | 61 | 60 | 59 | | 57 | 56 | 55 | | | | |
| | | | | | | 52 | 51 | 50 | 49 | 48 | 47 | 46 | 45 | 44 | 43 | | 41 | 40 | 39 | 38 | 37 | 36 | 35 | 34 | 33 | | |
| | | | | | | 73 | | | | 32 | 31 | 30 | 29 | 28 | | 26 | 25 | 24 | 23 | 22 | 21 | 20 | 19 | 18 | 17 | | |

MX123 52/66/73/80-WAY RECEPTACLE ASSY SEALED PIN OUT SHEET

| STATUS | GM PART # | HRNS CONN ASSY | | | TPA | GROMMET CAP | | | | | | | | | | | | | | | | | | | | | |
|----------|----------------|----------------|-------------------|------------------|--------------------|---|----|----|----|----|----|----|----|----|----|----|----|----|----|----|----|----|----|----|----|----|----|
| | | MATERIAL/PART | WIRE DRESS OPTION | KEY OPTION Fp | COLOR OPTION Fp | NUMBERS INDICATE CAVITIES OPEN FOR CIRCUITS | | | | | | | | | | | | | | | | | | | | | |
| | | NUMBER | | | | Fp | | | | | | | | | | | | | | | | | | | | | |
| SALEABLE | NOT APPLICABLE | 34566-7843 | 9 | C | BLUE | 52 | 71 | 50 | 49 | 48 | 67 | 47 | 65 | 64 | 45 | 44 | 62 | 61 | 60 | 58 | 57 | 54 | 33 | | | | |
| | | | | | | 73 | | | | 16 | 15 | 14 | 13 | 12 | 11 | 10 | 9 | | | | | | | 18 | | | |
| | | | | | | 72 | 71 | 70 | 69 | | 67 | 66 | | 64 | | | | | | | | | | | | 54 | |
| SALEABLE | NOT APPLICABLE | 34566-7853 | 9 | C | BLUE | 52 | 51 | 50 | 49 | | 47 | 46 | | 44 | | | | 39 | 38 | | | | | | | | |
| | | | | | | 73 | | | | 16 | | 30 | 29 | 28 | 27 | 26 | 25 | 24 | 23 | 22 | 21 | | | 17 | | | |
| | | | | | | 72 | | 70 | | 68 | 67 | 66 | | | 63 | 62 | | | 59 | | 57 | | | | | 53 | |
| SALEABLE | NOT APPLICABLE | 34566-7863 | 9 | C | BLUE | 52 | 51 | | | 48 | 47 | 46 | | 44 | | | 40 | 39 | | 37 | 36 | 35 | 34 | 33 | | | |
| | | | | | | 73 | | | | 32 | | 30 | | | 27 | 26 | 25 | 24 | | 22 | 21 | | | | | | |
| | | | | | | | | | | 15 | 14 | | | | 10 | 9 | 8 | | 6 | 5 | 4 | | | | | 2 | |
| SALEABLE | NOT APPLICABLE | 34566-7873 | 9 | A | BLACK | | 71 | | 69 | | | | 65 | 64 | | | 61 | 60 | | 58 | | 56 | 55 | 54 | | | |
| | | | | | | | | 50 | | | | 45 | | 43 | 42 | | | | | 38 | | | | | 35 | | |
| | | | | | | 73 | | | | | 31 | | 29 | 28 | | | | | | 23 | | | | | 19 | 18 | 17 |
| SALEABLE | NOT APPLICABLE | 34566-7883 | 9 | A | BLACK | | | | | | | | | | | | | | | | | | | | | | |
| | | | | | | 73 | | | | 16 | | | | 12 | 11 | | | | | | | | | 3 | | 1 | |
| | | | | | | 72 | | | | 68 | 67 | 66 | 65 | | | | | | | | | | | | | | |
| SALEABLE | NOT APPLICABLE | 34566-7893 | 9 | A | BLACK | | | | | 48 | 47 | | | | | 40 | | 38 | | | | 35 | | 33 | | | |
| | | | | | | 73 | | | | | 31 | 30 | | | | | 25 | 24 | 23 | 22 | 21 | 20 | 19 | | 17 | | |
| | | | | | | 72 | 71 | 70 | 69 | 68 | | 66 | 65 | 64 | 63 | | 61 | 60 | | | 57 | 56 | | | 54 | 53 | |
| SALEABLE | NOT APPLICABLE | 34566-7893 | 9 | A | BLACK | 52 | 51 | 50 | 49 | 48 | | 46 | 45 | 44 | 43 | 42 | | 40 | 39 | 38 | 37 | 36 | | 34 | 33 | | |
| | | | | | | 73 | | | | 32 | 31 | 30 | 29 | 28 | | | | | 23 | 22 | 21 | 20 | | | | | |
| | | | | | | | | | | 15 | 14 | 13 | 12 | | | | | | 7 | 6 | 5 | 4 | | | | | 2 |
| SALEABLE | TBD | 34822-0163 | 0 | A | BLACK | 64 | 63 | | | | | | | | | 54 | 53 | | 51 | | 49 | 66 | | | | | |
| | | | | | | 65 | | | | | | | | 28 | | | | 23 | | 21 | 20 | 19 | 18 | 17 | | | |
| | | | | | | | | | | 15 | 14 | 13 | | | | | 8 | 7 | | | 4 | 3 | 2 | 1 | | | |
| SALEABLE | NOT APPLICABLE | 34566-7913 | 9 | G | BLUE | 80 | 79 | 78 | | | 75 | | | | 71 | 70 | | | 67 | | | | | | 61 | | |
| | | | | | | 60 | 59 | 58 | 57 | | | 54 | | | 51 | 50 | 49 | 48 | 47 | | 45 | 44 | | | 42 | 41 | |
| | | | | | | 40 | 39 | | 37 | 36 | | 34 | 33 | 32 | | 30 | 29 | 28 | 27 | | 25 | 24 | 23 | 22 | 21 | | |
| | | | | | | 20 | 19 | 18 | | | | | 13 | 12 | 11 | | 9 | 8 | | | 5 | | | 3 | 2 | 1 | |
| SALEABLE | NOT APPLICABLE | 34566-7923 | 0 | C | BLUE | | 71 | 70 | | | 67 | | | 64 | | | 61 | 60 | | | 57 | | | 54 | | | |
| | | | | | | 52 | 51 | 50 | 49 | 48 | 47 | | 45 | 44 | | | 41 | | | 37 | | | | | 34 | 33 | |
| | | | | | | 73 | | | | 32 | | | 28 | 27 | | | 25 | | | | | | | | | 18 | 17 |
| SALEABLE | NOT APPLICABLE | 34566-7933 | 0 | A | BLACK | 72 | 71 | 70 | 69 | 68 | | 66 | 65 | 64 | 63 | | 61 | 60 | | | 57 | 56 | | 54 | 53 | | |
| | | | | | | 52 | 51 | 50 | 49 | 48 | | 46 | 45 | 44 | 43 | | | 40 | 39 | 38 | 37 | 36 | | | 34 | 33 | |
| | | | | | | 73 | | | | 32 | 31 | 30 | 29 | 28 | | | | | 23 | 22 | 21 | 20 | | | | | 2 |
| SALEABLE | NOT APPLICABLE | 34566-7943 | 0 | B | ST GRAY | 72 | | | | | | | | | | 62 | 61 | 60 | 59 | | | | 55 | | | | |
| | | | | | | 52 | | | | 48 | 47 | 46 | | | 43 | | 41 | 40 | | 38 | 37 | 36 | 35 | | | | |
| | | | | | | 73 | | | | | 31 | 30 | | | | | | | 22 | 21 | 20 | 19 | 18 | 17 | | | |
| SALEABLE | NOT APPLICABLE | 34566-7953 | 0 | B | ST GRAY | | | | | | | | | | | | | | | | | | | | | | |
| | | | | | | 73 | | | | 16 | 15 | 14 | | | | | | 6 | | 4 | | | | | | 2 | |
| | | | | | | 72 | 71 | 70 | 69 | 68 | | 66 | 65 | 64 | 63 | | 61 | 60 | | | 57 | 56 | | | 54 | 53 | |
| SALEABLE | NOT APPLICABLE | 34566-7963 | 9 | A | BLACK | 52 | 51 | 50 | 49 | 48 | | 46 | 45 | 44 | 43 | 42 | | 40 | 39 | 38 | 37 | 36 | | 34 | 33 | | |
| | | | | | | 73 | | | | 32 | 31 | 30 | 29 | 28 | | 26 | 25 | | 23 | 22 | 21 | 20 | | | | | |
| | | | | | | | | | | 15 | 14 | 13 | 12 | | | 9 | 7 | 6 | 5 | 4 | | | | | | | 2 |
| SALEABLE | NOT APPLICABLE | 34566-7973 | 9 | B | ST GRAY | 72 | | | | | | | | | | 62 | 61 | 60 | 59 | | | | 55 | | | | |
| | | | | | | 52 | | 50 | 49 | 48 | 47 | 46 | 45 | | 43 | | 41 | 40 | | 38 | 37 | 36 | 35 | 34 | | | |
| | | | | | | 73 | | | | | | 30 | 29 | | | | | | 22 | 21 | 20 | 19 | 18 | 17 | | | |
| SALEABLE | NOT APPLICABLE | 34566-7983 | 9 | B | ST GRAY | | | | | | | | | | | | | | | | | | | | | | |
| | | | | | | 73 | | | | 16 | 15 | 14 | | | | | | | 6 | | 4 | | | | | | 1 |
| | | | | | | 72 | | | | | | | | | | | | | 62 | 61 | 60 | 59 | | | | 55 | |
| SALEABLE | NOT APPLICABLE | 34566-7983 | 9 | B | ST GRAY | 52 | | 50 | 49 | 48 | 47 | 46 | 45 | | 43 | | 41 | 40 | | | | | | 34 | 33 | | |
| | | | | | | 73 | | | | | | 30 | 29 | | | | | | 22 | 21 | 20 | 19 | 18 | 17 | | | |
| | | | | | | | | | | 16 | 15 | 14 | | | | | | | | 6 | | 4 | | | | | |

MX123 52/66/73/80-WAY RECEPTACLE ASSY SEALED PIN OUT SHEET

| STATUS | GM PART # | HRNS CONN ASSY | | | TPA | GROMMET CAP | | | | | | | | | | | | | | | | | | | | | | | | | | | | | | | | | | | | | | | | | | | | | | | | | | | | | | | | | | | | | | | | | | | | | | | | | | | | | | | |
|----------|----------------|----------------|-------------------|------------------|--------------------|---|----|----|----|----|----|----|----|----|----|----|----|----|----|----|----|----|----|----|----|----|----|----|----|----|----|----|----|----|----|----|----|----|----|----|----|----|----|----|----|----|----|----|----|----|----|----|----|----|----|----|----|----|----|----|----|----|----|----|----|----|----|----|----|----|----|----|----|----|----|----|---|---|---|---|---|---|---|---|---|
| | | MATERIAL/PART | WIRE DRESS OPTION | KEY OPTION Fp | COLOR OPTION Fp | NUMBERS INDICATE CAVITIES OPEN FOR CIRCUITS | | | | | | | | | | | | | | | | | | | | | | | | | | | | | | | | | | | | | | | | | | | | | | | | | | | | | | | | | | | | | | | | | | | | | | | | | | | | | | | |
| | | NUMBER | | | | Fp | | | | | | | | | | | | | | | | | | | | | | | | | | | | | | | | | | | | | | | | | | | | | | | | | | | | | | | | | | | | | | | | | | | | | | | | | | | | | | | |
| SALEABLE | NOT APPLICABLE | 34566-7993 | 9 | C | BLUE | 70 | 69 | 67 | 66 | 64 | 61 | 60 | 57 | 54 | 52 | 51 | 50 | 49 | 48 | 47 | 46 | 45 | 44 | 41 | 40 | 37 | 34 | 33 | | | | | | | | | | | | | | | | | | | | | | | | | | | | | | | | | | | | | | | | | | | | | | | | | | | | | | | | | |
| | | | | | | 73 | | | | 32 | 28 | 27 | 25 | 23 | 21 | 20 | 19 | 18 | 17 | | | | | | | | | | | | | | | | | | | | | | | | | | | | | | | | | | | | | | | | | | | | | | | | | | | | | | | | | | | | | | | | | | |
| | | | | | | 16 | 15 | 14 | 13 | 12 | 11 | 10 | 9 | 8 | 7 | 6 | 5 | 4 | 3 | 2 | 1 | | | | | | | | | | | | | | | | | | | | | | | | | | | | | | | | | | | | | | | | | | | | | | | | | | | | | | | | | | | | | | | | |
| SALEABLE | NOT APPLICABLE | 34566-8013 | 9 | C | BLUE | 71 | 70 | 67 | 65 | 64 | 61 | 60 | 59 | 57 | 54 | 52 | 51 | 50 | 48 | 47 | 45 | 44 | 41 | 39 | 37 | 34 | 33 | | | | | | | | | | | | | | | | | | | | | | | | | | | | | | | | | | | | | | | | | | | | | | | | | | | | | | | | | | |
| | | | | | | 73 | | | | 32 | 28 | 27 | 25 | 23 | 21 | 20 | 19 | 18 | 17 | | | | | | | | | | | | | | | | | | | | | | | | | | | | | | | | | | | | | | | | | | | | | | | | | | | | | | | | | | | | | | | | | | |
| | | | | | | 16 | 15 | 14 | 13 | 12 | 11 | 10 | 9 | 8 | 7 | 6 | 5 | 4 | 3 | 2 | 1 | | | | | | | | | | | | | | | | | | | | | | | | | | | | | | | | | | | | | | | | | | | | | | | | | | | | | | | | | | | | | | | | |
| SALEABLE | TBD | 34822-0173 | 9 | A | BLACK | 64 | 63 | 58 | 57 | 56 | 55 | 54 | 52 | 50 | 66 | 48 | 46 | 45 | 44 | 43 | 42 | 41 | 40 | 36 | 34 | 33 | | | | | | | | | | | | | | | | | | | | | | | | | | | | | | | | | | | | | | | | | | | | | | | | | | | | | | | | | | | |
| | | | | | | 65 | | | | 32 | 31 | 30 | 29 | 27 | 26 | 24 | 23 | 21 | 20 | 19 | 18 | 17 | | | | | | | | | | | | | | | | | | | | | | | | | | | | | | | | | | | | | | | | | | | | | | | | | | | | | | | | | | | | | | | |
| | | | | | | 16 | 15 | 14 | 13 | 12 | 11 | 10 | 9 | 8 | 7 | 6 | 5 | 4 | 3 | 2 | 1 | | | | | | | | | | | | | | | | | | | | | | | | | | | | | | | | | | | | | | | | | | | | | | | | | | | | | | | | | | | | | | | | |
| SALEABLE | NOT APPLICABLE | 34566-8023 | 9 | C | BLUE | 72 | 71 | 69 | 68 | 67 | 66 | 65 | 64 | 63 | 62 | 59 | 58 | 57 | 56 | 55 | 54 | 53 | 52 | 51 | 50 | 49 | 48 | 47 | 46 | 45 | 44 | 43 | 42 | 41 | 40 | 39 | 38 | 37 | 36 | 35 | 34 | 33 | | | | | | | | | | | | | | | | | | | | | | | | | | | | | | | | | | | | | | | | | | | |
| | | | | | | 73 | | | | 32 | 31 | 30 | 29 | 27 | 26 | 24 | 23 | 22 | 21 | 20 | 19 | 18 | 17 | | | | | | | | | | | | | | | | | | | | | | | | | | | | | | | | | | | | | | | | | | | | | | | | | | | | | | | | | | | | | | |
| | | | | | | 16 | 15 | 14 | 13 | 12 | 11 | 10 | 9 | 8 | 7 | 6 | 5 | 4 | 3 | 2 | 1 | | | | | | | | | | | | | | | | | | | | | | | | | | | | | | | | | | | | | | | | | | | | | | | | | | | | | | | | | | | | | | | | |
| SALEABLE | NOT APPLICABLE | 34566-8033 | 9 | B | ST GRAY | 71 | 70 | 67 | 66 | 65 | 64 | 63 | 62 | 59 | 58 | 57 | 56 | 55 | 54 | 53 | 52 | 51 | 50 | 49 | 48 | 47 | 46 | 45 | 44 | 43 | 42 | 41 | 40 | 39 | 38 | 37 | 36 | 35 | 34 | 33 | | | | | | | | | | | | | | | | | | | | | | | | | | | | | | | | | | | | | | | | | | | | | |
| | | | | | | 73 | | | | 32 | 31 | 30 | 29 | 28 | 27 | 26 | 25 | 24 | 23 | 22 | 21 | 20 | 19 | 18 | 17 | | | | | | | | | | | | | | | | | | | | | | | | | | | | | | | | | | | | | | | | | | | | | | | | | | | | | | | | | | | | |
| | | | | | | 16 | 15 | 14 | 13 | 12 | 11 | 10 | 9 | 8 | 7 | 6 | 5 | 4 | 3 | 2 | 1 | | | | | | | | | | | | | | | | | | | | | | | | | | | | | | | | | | | | | | | | | | | | | | | | | | | | | | | | | | | | | | | | |
| SALEABLE | NOT APPLICABLE | 34566-8043 | 9 | A | BLACK | 67 | 66 | 65 | 64 | 63 | 62 | 61 | 59 | 58 | 55 | 53 | 73 | 71 | 70 | 69 | 68 | 67 | 66 | 65 | 64 | 63 | 62 | 61 | 60 | 59 | 58 | 57 | 56 | 55 | 54 | 53 | 52 | 51 | 50 | 49 | 48 | 47 | 46 | 45 | 44 | 43 | 42 | 41 | 40 | 39 | 38 | 37 | 36 | 35 | 34 | 33 | | | | | | | | | | | | | | | | | | | | | | | | | | | | | |
| | | | | | | 73 | | | | 32 | 31 | 30 | 29 | 27 | 26 | 25 | 24 | 23 | 22 | 21 | 20 | 19 | 18 | 17 | | | | | | | | | | | | | | | | | | | | | | | | | | | | | | | | | | | | | | | | | | | | | | | | | | | | | | | | | | | | | |
| | | | | | | 16 | 15 | 14 | 13 | 12 | 11 | 10 | 9 | 8 | 7 | 6 | 5 | 4 | 3 | 2 | 1 | | | | | | | | | | | | | | | | | | | | | | | | | | | | | | | | | | | | | | | | | | | | | | | | | | | | | | | | | | | | | | | | |
| SALEABLE | NOT APPLICABLE | 34566-8053 | 9 | A | BLACK | 72 | 71 | 69 | 68 | 67 | 66 | 65 | 64 | 63 | 62 | 59 | 58 | 57 | 56 | 55 | 54 | 53 | 52 | 51 | 50 | 49 | 48 | 47 | 46 | 45 | 44 | 43 | 42 | 41 | 40 | 39 | 38 | 37 | 36 | 35 | 34 | 33 | | | | | | | | | | | | | | | | | | | | | | | | | | | | | | | | | | | | | | | | | | | |
| | | | | | | 73 | | | | 32 | 31 | 30 | 29 | 27 | 26 | 25 | 24 | 23 | 22 | 21 | 20 | 19 | 18 | 17 | | | | | | | | | | | | | | | | | | | | | | | | | | | | | | | | | | | | | | | | | | | | | | | | | | | | | | | | | | | | | |
| | | | | | | 16 | 15 | 14 | 13 | 12 | 11 | 10 | 9 | 8 | 7 | 6 | 5 | 4 | 3 | 2 | 1 | | | | | | | | | | | | | | | | | | | | | | | | | | | | | | | | | | | | | | | | | | | | | | | | | | | | | | | | | | | | | | | | |
| SALEABLE | NOT APPLICABLE | 34566-8063 | 9 | C | BLUE | 71 | 70 | 69 | 68 | 67 | 66 | 65 | 64 | 63 | 62 | 59 | 58 | 57 | 56 | 55 | 54 | 53 | 52 | 51 | 50 | 49 | 48 | 47 | 46 | 45 | 44 | 43 | 42 | 41 | 40 | 39 | 38 | 37 | 36 | 35 | 34 | 33 | | | | | | | | | | | | | | | | | | | | | | | | | | | | | | | | | | | | | | | | | | | |
| | | | | | | 73 | | | | 32 | 31 | 30 | 29 | 28 | 27 | 26 | 25 | 24 | 23 | 22 | 21 | 20 | 19 | 18 | 17 | | | | | | | | | | | | | | | | | | | | | | | | | | | | | | | | | | | | | | | | | | | | | | | | | | | | | | | | | | | | |
| | | | | | | 16 | 15 | 14 | 13 | 12 | 11 | 10 | 9 | 8 | 7 | 6 | 5 | 4 | 3 | 2 | 1 | | | | | | | | | | | | | | | | | | | | | | | | | | | | | | | | | | | | | | | | | | | | | | | | | | | | | | | | | | | | | | | | |
| SALEABLE | NOT APPLICABLE | 34566-8073 | 9 | B | ST GRAY | 69 | 68 | 67 | 66 | 65 | 64 | 63 | 62 | 61 | 59 | 58 | 57 | 56 | 55 | 54 | 53 | 52 | 51 | 50 | 49 | 48 | 47 | 46 | 45 | 44 | 43 | 42 | 41 | 40 | 39 | 38 | 37 | 36 | 35 | 34 | 33 | | | | | | | | | | | | | | | | | | | | | | | | | | | | | | | | | | | | | | | | | | | | |
| | | | | | | 73 | | | | 32 | 31 | 30 | 29 | 27 | 26 | 25 | 24 | 23 | 22 | 21 | 20 | 19 | 18 | 17 | | | | | | | | | | | | | | | | | | | | | | | | | | | | | | | | | | | | | | | | | | | | | | | | | | | | | | | | | | | | | |
| | | | | | | 16 | 15 | 14 | 13 | 12 | 11 | 10 | 9 | 8 | 7 | 6 | 5 | 4 | 3 | 2 | 1 | | | | | | | | | | | | | | | | | | | | | | | | | | | | | | | | | | | | | | | | | | | | | | | | | | | | | | | | | | | | | | | | |
| SALEABLE | NOT APPLICABLE | 34566-8083 | 9 | B | ST GRAY | 62 | 61 | 59 | 58 | 57 | 56 | 55 | 54 | 53 | 52 | 51 | 50 | 49 | 48 | 47 | 46 | 45 | 44 | 43 | 42 | 41 | 40 | 39 | 38 | 37 | 36 | 35 | 34 | 33 | 32 | 31 | 30 | 29 | 28 | 27 | 26 | 25 | 24 | 23 | 22 | 21 | 20 | 19 | 18 | 17 | 16 | 15 | 14 | 13 | 12 | 11 | 10 | 9 | 8 | 7 | 6 | 5 | 4 | 3 | 2 | 1 | | | | | | | | | | | | | | | | | | | |
| | | | | | | 73 | | | | 32 | 31 | 30 | 29 | 27 | 26 | 25 | 24 | 23 | 22 | 21 | 20 | 19 | 18 | 17 | | | | | | | | | | | | | | | | | | | | | | | | | | | | | | | | | | | | | | | | | | | | | | | | | | | | | | | | | | | | | |
| | | | | | | 16 | 15 | 14 | 13 | 12 | 11 | 10 | 9 | 8 | 7 | 6 | 5 | 4 | 3 | 2 | 1 | | | | | | | | | | | | | | | | | | | | | | | | | | | | | | | | | | | | | | | | | | | | | | | | | | | | | | | | | | | | | | | | |
| SALEABLE | NOT APPLICABLE | 34566-8093 | 9 | A | BLACK | 71 | 70 | 69 | 68 | 67 | 66 | 65 | 64 | 63 | 62 | 61 | 59 | 58 | 57 | 56 | 55 | 54 | 53 | 52 | 51 | 50 | 49 | 48 | 47 | 46 | 45 | 44 | 43 | 42 | 41 | 40 | 39 | 38 | 37 | 36 | 35 | 34 | 33 | | | | | | | | | | | | | | | | | | | | | | | | | | | | | | | | | | | | | | | | | | |
| | | | | | | 73 | | | | 32 | 31 | 30 | 29 | 27 | 26 | 25 | 24 | 23 | 22 | 21 | 20 | 19 | 18 | 17 | | | | | | | | | | | | | | | | | | | | | | | | | | | | | | | | | | | | | | | | | | | | | | | | | | | | | | | | | | | | | |
| | | | | | | 16 | 15 | 14 | 13 | 12 | 11 | 10 | 9 | 8 | 7 | 6 | 5 | 4 | 3 | 2 | 1 | | | | | | | | | | | | | | | | | | | | | | | | | | | | | | | | | | | | | | | | | | | | | | | | | | | | | | | | | | | | | | | | |
| SALEABLE | NOT APPLICABLE | 34566-8113 | 9 | C | BLUE | 68 | 67 | 66 | 65 | 64 | 63 | 62 | 61 | 60 | 59 | 58 | 57 | 56 | 55 | 54 | 53 | 52 | 51 | 50 | 49 | 48 | 47 | 46 | 45 | 44 | 43 | 42 | 41 | 40 | 39 | 38 | 37 | 36 | 35 | 34 | 33 | | | | | | | | | | | | | | | | | | | | | | | | | | | | | | | | | | | | | | | | | | | | |
| | | | | | | 73 | | | | 32 | 27 | 24 | 23 | 21 | 20 | 19 | 18 | 17 | | | | | | | | | | | | | | | | | | | | | | | | | | | | | | | | | | | | | | | | | | | | | | | | | | | | | | | | | | | | | | | | | | | |
| | | | | | | 16 | 15 | 14 | 13 | 12 | 11 | 10 | 9 | 8 | 7 | 6 | 5 | 4 | 3 | 2 | 1 | | | | | | | | | | | | | | | | | | | | | | | | | | | | | | | | | | | | | | | | | | | | | | | | | | | | | | | | | | | | | | | | |
| SALEABLE | NOT APPLICABLE | 34566-8123 | 0 | G | BLUE | 80 | 79 | 78 | 77 | 76 | 75 | 74 | 73 | 72 | 71 | 70 | 69 | 68 | 67 | 66 | 65 | 64 | 63 | 62 | 61 | 60 | 59 | 58 | 57 | 56 | 55 | 54 | 53 | 52 | 51 | 50 | 49 | 48 | 47 | 46 | 45 | 44 | 43 | 42 | 41 | 40 | 39 | 38 | 37 | 36 | 35 | 34 | 33 | 32 | 31 | 30 | 29 | 28 | 27 | 26 | 25 | 24 | 23 | 22 | 21 | 20 | 19 | 18 | 17 | 16 | 15 | 14 | 13 | 12 | 11 | 10 | 9 | 8 | 7 | 6 | 5 | 4 | 3 | 2 | 1 |
| | | | | | | 73 | | | | 36 | 35 | 34 | 33 | 32 | 31 | 30 | 29 | 28 | 27 | 26 | 25 | 24 | 23 | 22 | 21 | | | | | | | | | | | | | | | | | | | | | | | | | | | | | | | | | | | | | | | | | | | | | | | | | | | | | | | | | | | | |
| | | | | | | 19 | 18 | 17 | 16 | 15 | 14 | 13 | 12 | 11 | 10 | 9 | 8 | 7 | 6 | 5 | 4 | 3 | 2 | 1 | | | | | | | | | | | | | | | | | | | | | | | | | | | | | | | | | | | | | | | | | | | | | | | | | | | | | | | | | | | | | |
| SALEABLE | NOT APPLICABLE | 34566-8133 | 0 | G | BLUE | 80 | 79 | 78 | 77 | 76 | 75 | 74 | 73 | 72 | 71 | 70 | 69 | 68 | 67 | 66 | 65 | 64 | 63 | 62 | 61 | 60 | 59 | 58 | 57 | 56 | 55 | 54 | 53 | 52 | 51 | 50 | 49 | 48 | 47 | 46 | 45 | 44 | 43 | 42 | 41 | 40 | 39 | 38 | 37 | 36 | 35 | 34 | 33 | 32 | 31 | 30 | 29 | 28 | 27 | 26 | 25 | 24 | 23 | 22 | 21 | 20 | 19 | 18 | 17 | 16 | 15 | 14 | 13 | 12 | 11 | 10 | 9 | 8 | 7 | 6 | 5 | 4 | 3 | 2 | 1 |
| | | | | | | 73 | | | | 36 | 35 | 34 | 33 | 32 | 31 | 30 | 29 | 28 | 27 | 26 | 25 | 24 | 23 | 22 | 21 | | | | | | | | | | | | | | | | | | | | | | | | | | | | | | | | | | | | | | | | | | | | | | | | | | | | | | | | | | | | |
| | | | | | | 19 | 18 | 17 | 16 | 15 | 14 | 13 | 12 | 11 | 10 | 9 | 8 | 7 | 6 | 5 | 4 | 3 | 2 | 1 | | | | | | | | | | | | | | | | | | | | | | | | | | | | | | | | | | | | | | | | | | | | | | | | | | | | | | | | | | | | | |
| SALEABLE | NOT APPLICABLE | 34566-8143 | 0 | G | BLUE | 80 | 79 | 78 | 77 | 76 | 75 | 74 | 73 | 72 | 71 | 70 | 69 | 68 | 67 | 66 | 65 | 64 | 63 | 62 | 61 | 60 | 59 | 58 | 57 | 56 | 55 | 54 | 53 | 52 | 51 | 50 | 49 | 48 | 47 | 46 | 45 | 44 | 43 | 42 | 41 | 40 | 39 | 38 | 37 | 36 | 35 | 34 | 33 | 32 | 31 | 30 | 29 | 28 | 27 | 26 | 25 | 24 | 23 | 22 | 21 | 20 | 19 | 18 | 17 | 16 | 15 | 14 | 13 | 12 | 11 | 10 | 9 | 8 | 7 | 6 | 5 | 4 | 3 | 2 | 1 |
| | | | | | | 73 | | | | 36 | 35 | 34 | 33 | 32 | 31 | 30 | 29 | 28 | 27 | 26 | 25 | 24 | 23 | 22 | 21 | | | | | | | | | | | | | | | | | | | | | | | | | | | | | | | | | | | | | | | | | | | | | | | | | | | | | | | | | | | | |
| | | | | | | 20 | 19 | 18 | 17 | 16 | 15 | 14 | 13 | 12 | 11 | 10 | 9 | 8 | 7 | 6 | 5 | 4 | 3 | 2 | 1 | | | | | | | | | | | | | | | | | | | | | | | | | | | | | | | | | | | | | | | | | | | | | | | | | | | | | | | | | | | | |

MX123 52/66/73/80-WAY RECEPTACLE ASSY SEALED PIN OUT SHEET

| STATUS | GM PART # | HRNS CONN ASSY | | | TPA | GROMMET CAP | | | | | | | | | | | | | | | | | | | | | |
|----------|----------------|----------------|-------------------|------------------|--------------------|---|----|----|----|----|----|----|----|----|----|----|----|----|----|----|----|----|----|----|----|----|----|
| | | MATERIAL/PART | WIRE DRESS OPTION | KEY OPTION Fp | COLOR OPTION Fp | NUMBERS INDICATE CAVITIES OPEN FOR CIRCUITS | | | | | | | | | | | | | | | | | | | | | |
| | | NUMBER | | | | Fp | | | | | | | | | | | | | | | | | | | | | |
| SALEABLE | NOT APPLICABLE | 34566-8153 | 0 | C | BLUE | 72 | 71 | 70 | 69 | 68 | 67 | 66 | 65 | 64 | 63 | 62 | 61 | 60 | 59 | 58 | 57 | 56 | 55 | 34 | 33 | | |
| | | | | | | 52 | 51 | 50 | | | | | | 28 | 27 | | | | | | | | | | | 35 | 18 |
| | | | | | | 73 | | | | 16 | | 14 | 13 | | | | | | | | | | | | | 3 | |
| SALEABLE | NOT APPLICABLE | 34566-8163 | 9 | B | ST GRAY | | | | | 68 | 67 | | | 64 | 63 | | | 59 | 58 | | | 55 | 54 | | | | |
| | | | | | | | | | | | 47 | 46 | 45 | 44 | 43 | | | 39 | 38 | | | | | 35 | | | |
| | | | | | | 73 | | | | 32 | 31 | 30 | 29 | 28 | 27 | | | 23 | 22 | | | | | 19 | | 17 | |
| SALEABLE | NOT APPLICABLE | 34566-8173 | 0 | B | ST GRAY | 72 | | 70 | | 68 | 67 | | | | 63 | 62 | 61 | 60 | 59 | | | | | | | | |
| | | | | | | 52 | | | | | | 46 | | | 43 | | 41 | 40 | | | | | | | | | |
| | | | | | | 73 | | | | | | | | | 27 | | | | | 22 | 21 | 20 | 19 | 18 | | | |
| SALEABLE | NOT APPLICABLE | 34566-8183 | 9 | H | ST GRAY | | | | | | | | | | | | | | | | | | | | | | |
| | | | | | | | | | | | | | | | | | | | | | | | | | | | |
| | | | | | | | | | | | | | | | | | | | | | | | | | | | |
| SALEABLE | NOT APPLICABLE | 34566-8193 | 0 | G | BLUE | | 79 | 78 | 77 | 76 | 75 | 74 | | | 71 | | | | 67 | | 65 | | 63 | | | | |
| | | | | | | 60 | 59 | 58 | 57 | 56 | 55 | 54 | | 52 | | | | | 47 | | 45 | | 43 | | | | |
| | | | | | | 40 | | 38 | 37 | | | | | 33 | 32 | 31 | 30 | 29 | | 27 | 26 | | | | | | |
| SALEABLE | NOT APPLICABLE | 34566-8213 | 0 | H | ST GRAY | | | | | | | | | | | | | | | | | | | | | | |
| | | | | | | | | | | | | | | | | | | | | | | | | | | | |
| | | | | | | | | | | | | | | | | | | | | | | | | | | | |
| SALEABLE | NOT APPLICABLE | 34566-8223 | 9 | A | BLACK | | | | | | | | | | | | | | | | | | | | | | |
| | | | | | | | | | | | | | | | | | | | | | | | | | | | |
| | | | | | | | | | | | | | | | | | | | | | | | | | | | |
| SALEABLE | NOT APPLICABLE | 34566-8233 | 9 | G | BLUE | | | | | | | | | | | | | | | | | | | | | | |
| | | | | | | | | | | | | | | | | | | | | | | | | | | | |
| | | | | | | | | | | | | | | | | | | | | | | | | | | | |
| SALEABLE | NOT APPLICABLE | 34566-8243 | 9 | G | BLUE | | | | | | | | | | | | | | | | | | | | | | |
| | | | | | | | | | | | | | | | | | | | | | | | | | | | |
| | | | | | | | | | | | | | | | | | | | | | | | | | | | |
| SALEABLE | NOT APPLICABLE | 34566-8253 | 9 | G | BLUE | | | | | | | | | | | | | | | | | | | | | | |
| | | | | | | | | | | | | | | | | | | | | | | | | | | | |
| | | | | | | | | | | | | | | | | | | | | | | | | | | | |
| SALEABLE | NOT APPLICABLE | 34566-8263 | 9 | G | BLUE | | | | | | | | | | | | | | | | | | | | | | |
| | | | | | | | | | | | | | | | | | | | | | | | | | | | |
| | | | | | | | | | | | | | | | | | | | | | | | | | | | |
| SALEABLE | NOT APPLICABLE | 34566-8273 | 9 | G | BLUE | 80 | 79 | 78 | | | | | | | 71 | | | | 67 | | | | | | | | |
| | | | | | | 60 | 59 | 58 | 57 | | | 54 | | | 51 | 50 | 49 | 48 | 47 | | | | | 44 | | | 41 |
| | | | | | | 40 | 39 | | | | | | | 33 | 32 | | 30 | 29 | 28 | 27 | | | 25 | 24 | | | |
| SALEABLE | NOT APPLICABLE | 34566-8283 | 9 | G | BLUE | | | | | | | | | | | | | | | | | | | | | | |
| | | | | | | | | | | | | | | | | | | | | | | | | | | | |
| | | | | | | | | | | | | | | | | | | | | | | | | | | | |
| SALEABLE | NOT APPLICABLE | 34566-8293 | 9 | A | BLACK | | | | | | | | | | | | | | | | | | | | | | |
| | | | | | | | | | | | | | | | | | | | | | | | | | | | |
| | | | | | | | | | | | | | | | | | | | | | | | | | | | |
| SALEABLE | NOT APPLICABLE | 34566-8313 | 9 | A | BLACK | | 71 | 70 | 69 | | 67 | 66 | 65 | | 63 | | | 60 | 59 | 58 | | | | | | | |
| | | | | | | | | 50 | 49 | 48 | 47 | | | 44 | | 42 | 41 | | 39 | 38 | | | 36 | 35 | 34 | 33 | |
| | | | | | | 73 | | | | | | | | | | | | | | | | | | | | | |

MX123 52/66/73/80-WAY RECEPTACLE ASSY SEALED PIN OUT SHEET

| STATUS | GM PART # | HRNS CONN ASSY | | | TPA | GROMMET CAP | | | | | | | | | | | | | | | | | | | | | | |
|----------|----------------|----------------|-------------------|------------------|--------------------|---|----|----|----|----|----|----|----|----|----|----|----|----|----|----|----|----|----|----|----|----|----|----|
| | | MATERIAL/PART | WIRE DRESS OPTION | KEY OPTION Fp | COLOR OPTION Fp | NUMBERS INDICATE CAVITIES OPEN FOR CIRCUITS | | | | | | | | | | | | | | | | | | | | | | |
| | | NUMBER | | | | Fp | | | | | | | | | | | | | | | | | | | | | | |
| SALEABLE | NOT APPLICABLE | 34566-8323 | 9 | A | BLACK | 71 | 70 | 69 | 68 | 67 | 66 | 65 | | 63 | | 60 | | | | | | | 53 | | | | | |
| | | | | | | | | 50 | 49 | | 47 | | | 44 | | 42 | | 39 | 38 | | | | 36 | | | 33 | | |
| | | | | | | 73 | | | | | | 31 | | | 28 | | 26 | | 24 | 23 | 22 | 21 | | 19 | 18 | 17 | | |
| SALEABLE | NOT APPLICABLE | 34566-8333 | 9 | A | BLACK | 71 | 70 | 69 | 68 | 67 | 66 | 65 | | 63 | | 60 | | | | | | | 53 | | | | | |
| | | | | | | | | 50 | 49 | 48 | 47 | | | 44 | | 42 | 41 | | 39 | 38 | | | | 36 | | | 33 | |
| | | | | | | 73 | | | | | | 31 | | | 28 | | 26 | | 24 | 23 | 22 | 21 | | 19 | 18 | 17 | | |
| SALEABLE | NOT APPLICABLE | 34566-8343 | 9 | A | BLACK | 71 | 70 | 69 | 68 | 67 | 66 | 65 | | 63 | | 60 | | | | | | | 53 | | | | | |
| | | | | | | | | 50 | 49 | | 47 | | | 44 | | 42 | | 39 | 38 | | | | 36 | 35 | 34 | 33 | | |
| | | | | | | 73 | | | | | | 31 | | | 28 | | 26 | | 24 | 23 | 22 | 21 | | 19 | 18 | 17 | | |
| SALEABLE | NOT APPLICABLE | 34566-8353 | 9 | A | BLACK | 72 | | | | | | | | 64 | | 62 | 61 | | | | | 57 | 56 | 55 | 54 | 53 | | |
| | | | | | | 52 | 51 | | | | | 46 | 45 | | 43 | | 41 | 40 | | | | | 37 | | | | | |
| | | | | | | 73 | | | | | | 32 | | 30 | 29 | | 27 | | 25 | | | | | 20 | | | | |
| SALEABLE | NOT APPLICABLE | 34566-8363 | 9 | A | BLACK | 72 | | | | | | | | 64 | | 62 | 61 | | | | | 57 | 56 | 55 | 54 | 53 | | |
| | | | | | | 52 | 51 | | | | | 46 | 45 | | 43 | | 41 | 40 | | | | | 37 | | | | | |
| | | | | | | 73 | | | | | | 32 | | 30 | 29 | | 27 | | 25 | | | | | 20 | | | | |
| SALEABLE | NOT APPLICABLE | 34566-8373 | 9 | A | BLACK | 72 | | | | | | | | 64 | | 62 | 61 | | | | | 57 | 56 | 55 | 54 | 53 | | |
| | | | | | | 52 | 51 | | | | | 46 | 45 | | 43 | | 41 | 40 | | | | | 37 | | | | | |
| | | | | | | 73 | | | | | | 32 | | 30 | 29 | | 27 | | 25 | | | | | 20 | | | | |
| SALEABLE | NOT APPLICABLE | 34566-8383 | 9 | A | BLACK | 72 | | | | | | | | 64 | | 62 | 61 | | | | | 57 | 56 | 55 | 54 | 53 | | |
| | | | | | | 52 | 51 | | | | | 46 | 45 | | 43 | | 41 | 40 | | | | | 37 | | | | | |
| | | | | | | 73 | | | | | | 32 | | 30 | 29 | | 27 | | 25 | | | | | 20 | | | | |
| SALEABLE | NOT APPLICABLE | 34566-8393 | 0 | A | BLACK | 72 | | 70 | | | | | | 64 | | 62 | 61 | | | | | 57 | 56 | 55 | 54 | 53 | | |
| | | | | | | 52 | 51 | | 49 | 48 | | | | | 43 | | | | | | | | 36 | 35 | 34 | 33 | | |
| | | | | | | 73 | | | | | | 31 | 30 | 29 | 28 | 27 | | | 24 | 23 | 22 | 21 | 20 | 19 | 18 | 17 | | |
| SALEABLE | NOT APPLICABLE | 34566-8413 | 0 | A | BLACK | 72 | | 70 | | | | | | 64 | | 62 | 61 | | | | | 57 | 56 | 55 | 54 | 53 | | |
| | | | | | | 52 | 51 | | 49 | 48 | | | | | 43 | | | | | | | | 36 | 35 | 34 | 33 | | |
| | | | | | | 73 | | | | | | 31 | 30 | 29 | 28 | 27 | | | 24 | 23 | 22 | 21 | 20 | 19 | 18 | 17 | | |
| SALEABLE | NOT APPLICABLE | 34566-8423 | 0 | C | BLUE | | | | 69 | | | | | 64 | | 62 | 61 | 60 | | | | 57 | | | 54 | | | |
| | | | | | | 52 | 51 | 50 | 49 | 48 | | 46 | 45 | 44 | | 42 | 41 | | | | | | 37 | | | 34 | 33 | |
| | | | | | | 73 | | | | | | | | | 28 | 27 | 26 | 25 | | | | | | | | | | |
| SALEABLE | NOT APPLICABLE | 34566-8433 | 0 | H | ST GRAY | | 79 | 78 | 77 | | | | | | | | | | | | | | | | 61 | | | |
| | | | | | | | | | | | | | | | | | | | | | | | | | | | | |
| | | | | | | 20 | | | | | | | | | | | | | 9 | | | | | 5 | | | | 1 |
| SALEABLE | NOT APPLICABLE | 34566-8443 | 0 | C | BLUE | | 71 | 70 | | | | | | | | | | | | | | | | | 54 | | | |
| | | | | | | 52 | 51 | 50 | | 48 | 47 | | 45 | 44 | | | 41 | | 39 | 38 | 37 | | | | | 34 | 33 | |
| | | | | | | 73 | | | | | | 32 | | | 28 | 27 | | 25 | | 23 | | | | | | | 18 | 17 |
| SALEABLE | NOT APPLICABLE | 34566-8453 | 0 | A | BLACK | 72 | 71 | 70 | 69 | 68 | | 66 | 65 | 64 | 63 | | 60 | | | | | 57 | 56 | | 54 | | | |
| | | | | | | 52 | 51 | 50 | 49 | 48 | | 46 | 45 | 44 | 43 | 42 | | 40 | 39 | 38 | 37 | 36 | | | | 34 | | |
| | | | | | | 73 | | | | | | 32 | 31 | 30 | 29 | 28 | | | | | 23 | 22 | 21 | 20 | | | | |
| SALEABLE | NOT APPLICABLE | 34566-8463 | 0 | B | ST GRAY | 72 | | 70 | | | | | | | | 62 | 61 | 60 | 59 | | | | 55 | | | | | |
| | | | | | | 52 | | | | 48 | 47 | 46 | | 44 | 43 | | | 41 | 40 | | | | 38 | 37 | 36 | 35 | | |
| | | | | | | 73 | | | | | | | 30 | | | | | | | | | 22 | 21 | 20 | 19 | 18 | | |
| SALEABLE | NOT APPLICABLE | 34566-8473 | 0 | C | BLUE | | 71 | 70 | | | | | | | | | | | | | | | | | 54 | | | |
| | | | | | | 52 | 51 | 50 | 49 | 48 | 47 | | 45 | 44 | | | 42 | 41 | | | | | 38 | 37 | | 35 | 34 | 33 |
| | | | | | | 73 | | | | | | 32 | | | 28 | 27 | 26 | 25 | | | | | | | | | 19 | 18 |

MX123 52/66/73/80-WAY RECEPTACLE ASSY SEALED PIN OUT SHEET

| STATUS | GM PART # | HRNS CONN ASSY | | | TPA | GROMMET CAP | | | | | | | | | | | | | | | | | | | | | |
|----------|----------------|----------------|-------------------|------------------|--------------------|---|----|----|----|----|----|----|----|----|----|----|----|----|----|----|----|----|----|----|----|----|----|
| | | MATERIAL/PART | WIRE DRESS OPTION | KEY OPTION Fp | COLOR OPTION Fp | NUMBERS INDICATE CAVITIES OPEN FOR CIRCUITS | | | | | | | | | | | | | | | | | | | | | |
| | | NUMBER | | | | Fp | | | | | | | | | | | | | | | | | | | | | |
| SALEABLE | NOT APPLICABLE | 34566-8483 | 0 | A | BLACK | 72 | 71 | 70 | 69 | 68 | | 66 | 65 | 64 | 63 | | 61 | 60 | | | 57 | 56 | | 54 | 53 | | |
| | | | | | | 52 | 51 | 50 | 49 | 48 | | 46 | 45 | 44 | 43 | 42 | | | 40 | 39 | 38 | 37 | 36 | | 34 | 33 | |
| | | | | | | 73 | | | | 32 | 31 | 30 | 29 | 28 | | | | | | 23 | 22 | 21 | 20 | | | | 2 |
| SALEABLE | NOT APPLICABLE | 34566-8493 | 0 | B | ST GRAY | 72 | | 70 | | 68 | 67 | | | | | 62 | 61 | 60 | 59 | | | | 55 | | | | |
| | | | | | | 52 | | | | 48 | 47 | 46 | | 44 | 43 | | | 40 | | | | | | | | | 33 |
| | | | | | | 73 | | | | | | 30 | | | | | | | | 22 | 21 | 20 | 19 | 18 | 17 | | |
| SALEABLE | NOT APPLICABLE | 34566-8513 | 9 | A | BLACK | 72 | 71 | 70 | 69 | 68 | | 66 | 65 | 64 | 63 | | 61 | 60 | | | 57 | 56 | | 54 | 53 | | |
| | | | | | | 52 | 51 | 50 | 49 | 48 | | 46 | 45 | 44 | 43 | | | 40 | 39 | 38 | 37 | 36 | | 34 | 33 | | |
| | | | | | | 73 | | | | 32 | 31 | 30 | 29 | 28 | | | | | 24 | 23 | 22 | | | | | | 2 |
| SALEABLE | NOT APPLICABLE | 34566-8523 | 9 | B | ST GRAY | 72 | | 70 | | 68 | | | | | | 62 | 61 | | | | | | 55 | | | | |
| | | | | | | 52 | | | | 48 | 47 | 46 | | | 43 | | | 40 | | | | | | | | | |
| | | | | | | 73 | | | | | | 30 | | | | | | | | 22 | 21 | 20 | 19 | 18 | 17 | | |
| SALEABLE | NOT APPLICABLE | 34566-8533 | 9 | C | BLUE | | | 70 | | 67 | 66 | 65 | 64 | | | 61 | 60 | | | 57 | | | 54 | | | | |
| | | | | | | 52 | 51 | 50 | 49 | 48 | 47 | | 45 | 44 | | | 41 | | | | 37 | | | 34 | 33 | | |
| | | | | | | 73 | | | | 32 | | | | 28 | 27 | | | 25 | | | | | | | | 18 | 17 |
| SALEABLE | NOT APPLICABLE | 34566-8543 | 9 | C | BLUE | | 71 | | 69 | | 67 | 66 | 65 | 64 | | | 61 | 60 | | | 57 | | 54 | | | | |
| | | | | | | 52 | 51 | 50 | 49 | 48 | 47 | 46 | 45 | 44 | | | | | | 37 | | | 34 | 33 | | | |
| | | | | | | 73 | | | | 32 | | | | 28 | 27 | | | | | | | | | | | | |
| SALEABLE | NOT APPLICABLE | 34566-8553 | 0 | B | ST GRAY | | | | | 67 | 66 | 65 | 64 | | | 61 | 60 | | | 57 | | 54 | | | | | |
| | | | | | | 52 | 51 | 50 | 49 | 48 | 47 | 46 | 45 | 44 | | | | | | 37 | | | 34 | 33 | | | |
| | | | | | | 73 | | | | 32 | | | | 28 | 27 | | | | | | | | | | | | |
| SALEABLE | NOT APPLICABLE | 34566-8563 | 0 | A | BLACK | | | | | 67 | | | | | 63 | | 60 | 59 | 58 | 57 | 56 | 55 | | | | | |
| | | | | | | 52 | 51 | | | 48 | 47 | 46 | | | 43 | 42 | | 40 | 39 | 38 | 37 | 36 | 35 | | | | |
| | | | | | | 73 | | | | | | | | 28 | | | | | | 22 | 21 | | | | 18 | 17 | |
| SALEABLE | NOT APPLICABLE | 34566-8573 | 0 | B | ST GRAY | 72 | 71 | 70 | 69 | 68 | 67 | 66 | 65 | 64 | 63 | | 61 | 60 | 59 | | 57 | 56 | 55 | | | | |
| | | | | | | 52 | 51 | 50 | 49 | 48 | 47 | 46 | 45 | 44 | 43 | | 41 | 40 | 39 | 38 | 37 | 36 | 35 | | | 33 | |
| | | | | | | 73 | | | | 32 | 31 | 30 | 29 | 28 | | | | 26 | | 24 | 23 | 22 | 21 | 20 | 19 | | |
| SALEABLE | NOT APPLICABLE | 34566-8583 | 0 | C | BLUE | 72 | 71 | 70 | 69 | | 67 | 66 | 65 | 64 | | | 60 | | | | 56 | | 54 | | | | |
| | | | | | | 52 | 51 | 50 | 49 | | 47 | 46 | 45 | 44 | | | 40 | 39 | 38 | | | | 34 | | | | |
| | | | | | | 73 | | | | | 31 | 30 | | 28 | | 26 | 25 | 24 | 23 | 22 | 21 | | | | 17 | | |
| SALEABLE | NOT APPLICABLE | 34566-8593 | 0 | B | ST GRAY | 72 | | | | 68 | | | | | | 62 | 61 | 60 | 59 | | | 55 | | | | | |
| | | | | | | 52 | | | | 48 | 47 | 46 | | | 43 | | 41 | 40 | | 38 | 37 | 36 | 35 | | | | |
| | | | | | | 73 | | | | | | 30 | | | | | | | | 22 | 21 | 20 | 19 | 18 | | | |
| SALEABLE | TBD | 34822-0183 | 0 | A | BLACK | 64 | 63 | 62 | 61 | 60 | 59 | | | | | 54 | 53 | | 51 | | 49 | 66 | | | | | |
| | | | | | | | | | | | | | | | | 38 | 37 | | 35 | | 33 | | | | | | |
| | | | | | | 65 | | | | | 15 | 14 | 13 | | | | | | 8 | 7 | | | 4 | 3 | 2 | 1 | |
| SALEABLE | TBD | 34822-0193 | 0 | A | BLACK | 64 | 63 | | | | | | | | 54 | 53 | | 51 | | 49 | 66 | | | | | | |
| | | | | | | | | | | | | | | | 38 | 37 | | 35 | | 33 | | | | | | | |
| | | | | | | 65 | | | | | | | 28 | | | | | 24 | 23 | | 21 | 20 | 19 | 18 | 17 | | |
| SALEABLE | TBD | 34822-0203 | 0 | A | BLACK | | | | | 15 | 14 | 13 | | | | | 8 | 7 | | | 4 | 3 | 2 | 1 | | | |
| | | | | | | 64 | 63 | 62 | 61 | 60 | 59 | | | | | 54 | 53 | | 51 | | 49 | 66 | | | | | |
| | | | | | | | | | | | | | | | | 38 | 37 | | 35 | | 33 | | | | | | |
| SALEABLE | TBD | 34822-0213 | 0 | A | BLACK | | | | | 31 | | | 28 | | | | 24 | 23 | 22 | 21 | 20 | 19 | 18 | 17 | | | |
| | | | | | | | | | | | | | | | | | | 8 | 7 | | | 4 | | 2 | 1 | | |
| | | | | | | 65 | | | | | 31 | | | | | | | 24 | 23 | 22 | 21 | 20 | 19 | 18 | 17 | | |

MX123 52/66/73/80-WAY RECEPTACLE ASSY SEALED PIN OUT SHEET

| STATUS | GM PART # | HRNS CONN ASSY | | | TPA | GROMMET CAP | | | | | | | | | | | | | | | | | | | | | | |
|----------|----------------|----------------|-------------------|------------------|--------------------|---|----|----|----|----|----|----|----|----|----|----|----|----|----|----|----|----|----|----|----|----|----|----|
| | | MATERIAL/PART | WIRE DRESS OPTION | KEY OPTION Fp | COLOR OPTION Fp | NUMBERS INDICATE CAVITIES OPEN FOR CIRCUITS | | | | | | | | | | | | | | | | | | | | | | |
| | | NUMBER | | | | Fp | | | | | | | | | | | | | | | | | | | | | | |
| SALEABLE | NOT APPLICABLE | 34566-8613 | 0 | C | BLUE | 52 | 71 | 70 | | | 67 | 66 | 65 | 64 | | | 61 | 60 | 59 | 58 | 57 | | | 54 | | | | |
| | | | | | | | | | | 48 | 47 | | | 45 | 44 | | | 41 | 40 | 39 | 38 | 37 | | | | 34 | 33 | |
| | | | | | | 73 | | | | 32 | | | | 28 | 27 | | | 25 | | 23 | | | | | | | 18 | 17 |
| SALEABLE | NOT APPLICABLE | 34566-8623 | 9 | C | BLUE | | | | | 68 | | | 65 | | 63 | 62 | 61 | | 59 | 58 | 57 | 56 | 55 | | 53 | | | |
| | | | | | | | | | | 48 | | | 45 | | 43 | 42 | 41 | | | | | 37 | 36 | 35 | 34 | 33 | | |
| | | | | | | 73 | | | | 32 | 31 | | | | | | | | | | | | | 20 | 19 | 18 | | |
| SALEABLE | NOT APPLICABLE | 34566-8633 | 0 | B | ST GRAY | 72 | | | | | | | | | | 62 | 61 | | | | | | | | | | | |
| | | | | | | 52 | | | | 48 | 47 | 46 | | | 43 | | | 40 | | | | | | | | | | |
| | | | | | | 73 | | | | | | | 30 | | | | | | | | | | 22 | 21 | 20 | 19 | 18 | 17 |
| SALEABLE | NOT APPLICABLE | 34566-8643 | 0 | C | BLUE | | 71 | 70 | | | 67 | 66 | | 64 | | | 61 | 60 | | | | | 57 | | 54 | | | |
| | | | | | | 52 | 51 | 50 | 49 | 48 | | | 45 | 44 | | | 41 | | | | 37 | | | | | 34 | 33 | |
| | | | | | | 73 | | | | 32 | | | | 28 | 27 | | | 25 | | | | | | | | | 18 | 17 |
| SALEABLE | NOT APPLICABLE | 34566-8653 | 9 | C | BLUE | | 71 | | | 69 | | | 67 | 66 | 65 | 64 | 63 | | 61 | 60 | | | | 57 | | 54 | | |
| | | | | | | 52 | 51 | 50 | | 48 | 47 | 46 | 45 | | 43 | | | 41 | | | | 37 | | | | | 34 | 33 |
| | | | | | | 73 | | | | | | | | 28 | 27 | | | 25 | | | | | | | | | | |
| SALEABLE | NOT APPLICABLE | 34566-8663 | 0 | B | ST GRAY | 72 | 71 | 70 | 69 | | | | | | 64 | 63 | | 61 | 60 | | | 58 | 57 | 56 | 55 | | | |
| | | | | | | 52 | 51 | 50 | 49 | | | | | | 43 | | | | | | | | 38 | 37 | 36 | | | 33 |
| | | | | | | 73 | | | | 32 | | | 30 | 29 | 28 | | | 26 | 25 | 24 | 23 | 22 | 21 | 20 | | | | |
| SALEABLE | NOT APPLICABLE | 34822-0223 | 0 | A | BLACK | 64 | 63 | 62 | 61 | 60 | 59 | | | | | 54 | 53 | | 51 | | | | 49 | 66 | | | | |
| | | | | | | | | | | | | | | | 38 | 37 | | 35 | | 33 | | | | | | | | |
| | | | | | | 65 | | | | | 31 | | | 28 | | | | 24 | 23 | 22 | 21 | 20 | 19 | 18 | 17 | | | |
| SALEABLE | NOT APPLICABLE | 34566-8673 | 0 | F | NATURAL | 72 | | 70 | | 68 | 67 | 66 | | | 63 | 62 | | | 59 | | | 57 | | | | 53 | | |
| | | | | | | 52 | 51 | | 49 | 48 | 47 | 46 | | 44 | | | 41 | 40 | 39 | | 37 | 36 | 35 | 34 | 33 | | | |
| | | | | | | 73 | | | | | | | 30 | | | 27 | 26 | 25 | 24 | | 22 | 21 | 20 | | | | | |
| SALEABLE | NOT APPLICABLE | 34566-8683 | 0 | B | ST GRAY | 72 | | 70 | | 68 | 67 | 66 | | | 63 | 62 | | | 59 | | | 57 | | | | 53 | | |
| | | | | | | 52 | 51 | | 49 | 48 | 47 | 46 | | 44 | | | 41 | 40 | 39 | | 37 | 36 | 35 | 34 | 33 | | | |
| | | | | | | 73 | | | | 32 | | | 30 | | | 27 | 26 | 25 | 24 | | 22 | 21 | 20 | | | | | |
| SALEABLE | NOT APPLICABLE | 34566-8693 | 0 | A | BLACK | | | | | 68 | 67 | 66 | | | 63 | 62 | | | 59 | | | 57 | | | 53 | | | |
| | | | | | | 52 | 51 | | 49 | 48 | 47 | 46 | | 44 | | | 41 | 40 | 39 | | 37 | 36 | 35 | 34 | 33 | | | |
| | | | | | | 73 | | | | 32 | | | 30 | | | 27 | 26 | 25 | 24 | | 22 | 21 | 20 | | | | | |
| SALEABLE | NOT APPLICABLE | 34566-8713 | 9 | B | ST GRAY | | | | | | | | | 64 | 63 | | | 61 | 60 | | | 58 | 57 | 56 | 55 | | | |
| | | | | | | 52 | 51 | 50 | 49 | | | | | 43 | | | | | | | | 38 | 37 | 36 | | | 33 | |
| | | | | | | 73 | | | | 32 | | | 30 | 29 | 28 | | 26 | 25 | 24 | 23 | 22 | 21 | 20 | | | | | |
| SALEABLE | NOT APPLICABLE | 34566-8723 | 0 | C | BLUE | | 71 | 70 | | | | 66 | | 64 | | | 61 | 60 | | | | | 57 | | 54 | | | |
| | | | | | | 52 | 51 | 50 | 49 | 48 | | | 45 | 44 | | | 41 | | | | 37 | | | | | 34 | 33 | |
| | | | | | | 73 | | | | 32 | | | | 28 | 27 | | | 25 | | | | | | | | | 18 | 17 |
| SALEABLE | NOT APPLICABLE | 34566-8733 | 0 | A | BLACK | | 71 | 70 | 69 | 68 | | | 66 | 65 | 64 | 63 | | | 60 | | | 57 | 56 | | 54 | | | |
| | | | | | | 52 | 51 | 50 | 49 | 48 | | | 46 | 45 | 44 | 43 | 42 | | 40 | 39 | 38 | 37 | 36 | | 34 | | | |
| | | | | | | 73 | | | | 32 | 31 | 30 | 29 | 28 | | | | | | 23 | 22 | 21 | 20 | | | | | |
| SALEABLE | NOT APPLICABLE | 34566-8743 | 0 | C | BLUE | | 71 | 70 | 69 | | | | 66 | 65 | 64 | | | | | | | | | | 54 | | | |
| | | | | | | 52 | 51 | 50 | 49 | | | | 47 | 46 | 44 | | | | | 39 | 38 | | | | | | | |
| | | | | | | 73 | | | | | | | 30 | 29 | 28 | 27 | 26 | 25 | 24 | 23 | 22 | 21 | | | | | | 17 |
| SALEABLE | NOT APPLICABLE | 34566-8753 | 0 | B | ST GRAY | 72 | 71 | 70 | 69 | 68 | 67 | 66 | 65 | 64 | 63 | | 61 | 60 | | | 58 | 57 | 56 | 55 | 54 | 53 | | |
| | | | | | | 52 | 51 | 50 | 49 | 48 | 47 | 46 | 45 | 44 | 43 | | | 40 | | | | 37 | 36 | 35 | 34 | 33 | | |
| | | | | | | 73 | | | | 32 | | | 30 | 29 | 28 | | 26 | 25 | 24 | | | | 21 | | 19 | | | |

MX123 52/66/73/80-WAY RECEPTACLE ASSY SEALED PIN OUT SHEET

| STATUS | GM PART # | HRNS CONN ASSY | | | TPA | GROMMET CAP | | | | | | | | | | | | | | | | | | | | | |
|----------|----------------|----------------|-------------------|------------------|--------------------|---|----|----|----|----|----|----|----|----|----|----|----|----|----|----|----|----|----|----|----|----|----|
| | | MATERIAL/PART | WIRE DRESS OPTION | KEY OPTION Fp | COLOR OPTION Fp | NUMBERS INDICATE CAVITIES OPEN FOR CIRCUITS | | | | | | | | | | | | | | | | | | | | | |
| | | NUMBER | | | | Fp | | | | | | | | | | | | | | | | | | | | | |
| SALEABLE | NOT APPLICABLE | 34566-8763 | 0 | A | BLACK | 72 | 71 | 70 | | | | 67 | 66 | | | | | | 59 | 58 | 57 | 56 | 55 | 54 | 53 | | |
| | | | | | | 52 | 51 | 50 | | | | 47 | 46 | | | | | | | | 39 | 37 | | 36 | 35 | | 33 |
| | | | | | | 73 | | | 32 | 31 | 30 | 29 | 28 | 27 | 26 | | | | | | 21 | | | | | 18 | 17 |
| SALEABLE | 12672857 | 34822-0243 | 9 | A | BLACK | 64 | 63 | 62 | 61 | 60 | 59 | | | | | | 54 | 53 | | 51 | | 49 | 66 | | | | |
| | | | | | | | 47 | | | | | | | | | 38 | 37 | | 35 | | 33 | | | | | | |
| | | | | | | 65 | | | | | | | 28 | | | | | 25 | 24 | | 22 | 21 | 20 | 19 | 18 | 17 | |
| SALEABLE | NOT APPLICABLE | 34822-0253 | 0 | A | BLACK | | 63 | 62 | 61 | 60 | 59 | | | | | 54 | 53 | | 51 | | 49 | 66 | | | | | |
| | | | | | | | | | | | | | | | 38 | 37 | | 35 | | 33 | | | | | | | |
| | | | | | | 65 | | | | | | | 28 | | | | | 24 | 23 | 22 | 21 | 20 | 19 | 18 | 17 | | |
| SALEABLE | NOT APPLICABLE | 34822-0263 | 9 | C | BLUE | 64 | 63 | 62 | | 60 | 59 | | | | | 54 | 53 | | 51 | | 49 | 66 | | | | | |
| | | | | | | 48 | 47 | 46 | 45 | | | | | | 39 | 37 | | 36 | 35 | 34 | 33 | | | | | | |
| | | | | | | 65 | | | 32 | 30 | 29 | 28 | 27 | 26 | 25 | 24 | 23 | 22 | 21 | | | | 19 | 18 | 17 | | |
| SALEABLE | NOT APPLICABLE | 34822-0273 | 9 | A | BLACK | 64 | 63 | | | | | | | | | 54 | 53 | | 51 | | 49 | 66 | | | | | |
| | | | | | | | 47 | | | | | | | | 38 | 37 | | 35 | | 33 | | | | | | | |
| | | | | | | 65 | | | | | | | 28 | | | | | | | 22 | | 20 | 19 | 18 | 17 | | |
| SALEABLE | NOT APPLICABLE | 34822-0283 | 0 | A | BLACK | | | | 61 | 60 | 59 | | | | 56 | 55 | | | | 51 | | 49 | 66 | | | | |
| | | | | | | | | | | | | | | | | | | | | | | | | | | | |
| | | | | | | 65 | | | 32 | | | | | | | | | | | | | | | | | | |
| SALEABLE | NOT APPLICABLE | 34822-0293 | 0 | A | BLACK | 64 | 63 | | | | | | | | | 54 | 53 | | 51 | | 49 | 66 | | | | | |
| | | | | | | | 47 | | | | | | | | 38 | 37 | | 35 | | 33 | | | | | | | |
| | | | | | | 65 | | | | | | | 28 | | | | | | | 22 | | 20 | 19 | 18 | 17 | | |
| SALEABLE | NOT APPLICABLE | 34566-8773 | 9 | B | ST GRAY | 72 | | 70 | | 68 | | | | | | 62 | 61 | 60 | 59 | | | | | 55 | | | |
| | | | | | | 52 | | | | 48 | 47 | 46 | | | | | 43 | | | 40 | | | | | | | |
| | | | | | | 73 | | | | | | | | | | | | | | | 22 | 21 | 20 | 19 | 18 | 17 | |
| SALEABLE | NOT APPLICABLE | 34566-8783 | 9 | A | BLACK | 72 | 71 | 70 | 69 | 68 | | | 66 | 65 | 64 | 63 | | 61 | 60 | | | 57 | 56 | | 54 | 53 | |
| | | | | | | 52 | 51 | 50 | 49 | 48 | | | 46 | 45 | 44 | 43 | | | 40 | 39 | 38 | 37 | 36 | | 34 | 33 | |
| | | | | | | 73 | | | 32 | 31 | 30 | 29 | 28 | | | | | | | 23 | 22 | 21 | | | | | |
| SALEABLE | NOT APPLICABLE | 34566-8793 | 9 | C | BLUE | | 71 | 70 | | | 67 | 66 | 65 | | | | 61 | 60 | | | 57 | | | 54 | | | |
| | | | | | | 52 | 51 | 50 | 49 | 48 | 47 | | 45 | 44 | | | 41 | | | 37 | | | | | 34 | 33 | |
| | | | | | | 73 | | | 32 | | | | 28 | 27 | | | 25 | | | | | | | | | 18 | 17 |
| SALEABLE | NOT APPLICABLE | 34566-8813 | 9 | B | ST GRAY | 72 | 71 | 70 | 69 | 68 | 67 | | | 65 | 64 | 63 | | 61 | 60 | 59 | | 57 | 56 | 55 | 54 | 53 | |
| | | | | | | 52 | 51 | 50 | 49 | 48 | 47 | 46 | 45 | 44 | 43 | 42 | | | 40 | 39 | | | 36 | 35 | 34 | 33 | |
| | | | | | | 73 | | | 32 | 31 | 30 | 29 | 28 | 27 | 26 | 25 | 24 | 23 | 22 | 21 | | | | | | | |
| SALEABLE | NOT APPLICABLE | 34566-8823 | 9 | C | BLUE | 72 | 71 | 70 | 69 | | 67 | 66 | | 64 | | | | 60 | | | | | | | 54 | | |
| | | | | | | 52 | 51 | 50 | 49 | | 47 | 46 | | 44 | | | | 40 | 39 | | | | | | | | |
| | | | | | | 73 | | | | | | | 28 | 27 | 26 | 25 | 24 | 23 | 22 | 21 | | | | | | | |
| SALEABLE | NOT APPLICABLE | 34566-8833 | 9 | C | BLUE | 72 | | 70 | | 68 | 67 | 66 | | | 63 | 62 | | | 59 | | 57 | | | 54 | 53 | | |
| | | | | | | 52 | 51 | | 49 | 48 | 47 | 46 | | 44 | | | 41 | 40 | 39 | | 37 | 36 | 35 | 34 | 33 | | |
| | | | | | | 73 | | | 32 | | 30 | | | 27 | 26 | 25 | 24 | | 22 | 21 | 20 | | | | | | 17 |
| SALEABLE | NOT APPLICABLE | 34566-8843 | 0 | C | BLUE | | | 70 | 69 | | 67 | 66 | | 64 | | | | | | | | | | 54 | | | |
| | | | | | | 52 | 51 | 50 | 49 | | 47 | 46 | | 44 | | | 41 | | 39 | 38 | | | | | | | |
| | | | | | | 73 | | | | | | | 28 | 27 | 26 | 25 | 24 | 23 | 22 | 21 | | | | | | | 17 |
| SALEABLE | NOT APPLICABLE | 34566-8853 | 0 | B | ST GRAY | 72 | | | | 68 | 67 | | | | 63 | 62 | 61 | 60 | 59 | | | | | 55 | | | |
| | | | | | | 52 | | | | 48 | 47 | 46 | | 44 | 43 | | 41 | 40 | | 38 | 37 | 36 | 35 | | | | |
| | | | | | | 73 | | | | | | | 30 | | | | 27 | | | | 22 | 21 | 20 | 19 | 18 | | 1 |

MX123 52/66/73/80-WAY RECEPTACLE ASSY SEALED PIN OUT SHEET

| STATUS | GM PART # | HRNS CONN ASSY | | | TPA | GROMMET CAP | | | | | | | | | | | | | | | | | | | | | |
|----------|----------------|----------------|-------------------|------------------|--------------------|---|----|----|----|----|----|----|----|----|----|----|----|----|----|----|----|----|----|----|----|----|----|
| | | MATERIAL/PART | WIRE DRESS OPTION | KEY OPTION Fp | COLOR OPTION Fp | NUMBERS INDICATE CAVITIES OPEN FOR CIRCUITS | | | | | | | | | | | | | | | | | | | | | |
| | | NUMBER | | | | Fp | | | | | | | | | | | | | | | | | | | | | |
| SALEABLE | NOT APPLICABLE | 34566-9143 | 9 | F | NATURAL | 72 | 71 | 70 | | | 67 | 66 | 65 | 64 | 63 | 62 | 61 | 60 | 59 | | | 56 | 55 | 54 | 53 | | |
| | | | | | | 52 | 51 | 50 | 49 | 48 | 47 | 46 | 45 | 44 | | | | | | | | | | 36 | 35 | 34 | |
| | | | | | | 73 | | | | 32 | 31 | | 29 | 28 | 27 | 26 | 25 | 24 | 23 | 22 | 21 | 20 | | | | | |
| SALEABLE | NOT APPLICABLE | 34566-9153 | 9 | B | ST GRAY | | | | | | 66 | | | | | 62 | | | | 58 | | | | | | | |
| | | | | | | | | | | | | | | | 41 | | | 38 | 37 | | | | | | | | |
| | | | | | | 73 | | | | | | | | | | | | | | | | | | 20 | 19 | 18 | 17 |
| SALEABLE | NOT APPLICABLE | 34566-9163 | 9 | B | ST GRAY | | | | | 68 | 67 | 66 | 65 | | | 62 | | 60 | 59 | | | | 54 | 53 | | | |
| | | | | | | | | | | 48 | 47 | 46 | 45 | 44 | | 42 | 41 | 40 | 39 | | | | | 35 | 34 | | |
| | | | | | | 73 | | | | | 31 | | | | 27 | | | | | | | | | | 19 | 18 | 17 |
| SALEABLE | NOT APPLICABLE | 34566-9173 | 0 | B | ST GRAY | | | | | | | | 65 | | | 62 | | | | 58 | | | | | | | |
| | | | | | | | | | | | | | | | | 41 | | | 38 | 37 | | | | | | | |
| | | | | | | 73 | | | | | | | | | | | | | | | | | | | 19 | 18 | 17 |
| SALEABLE | NOT APPLICABLE | 34822-0363 | 9 | C | BLUE | | | | 61 | | | 58 | | | | | | | | | | | | | | | |
| | | | | | | | | | | 44 | 43 | | 41 | 40 | | 38 | | | | | | | | 20 | | | |
| | | | | | | 65 | | | | | 31 | | | | | | | | | | | | | | | | |
| SALEABLE | NOT APPLICABLE | 34822-0373 | 9 | A | BLACK | 64 | 63 | 62 | 61 | 60 | | | | | 55 | | | 52 | 51 | | 49 | | | | | | |
| | | | | | | 48 | 47 | 46 | 45 | | | | | | | 38 | | | | | | | | | | | |
| | | | | | | 65 | | | | 32 | | 30 | 29 | | 27 | | | | | | | 22 | 21 | 20 | 19 | 18 | 17 |
| SALEABLE | NOT APPLICABLE | 34822-0383 | 9 | A | BLACK | 64 | 63 | 62 | 61 | 60 | | | 57 | | | | 52 | 51 | | 49 | | | | | | | |
| | | | | | | 48 | 47 | 46 | 45 | | | | 40 | | | | | | | | | | | | | | |
| | | | | | | 65 | | | | 32 | | 30 | 29 | | 27 | | | | | | | 22 | 21 | 20 | 19 | 18 | 17 |
| SALEABLE | NOT APPLICABLE | 34822-0393 | 0 | A | BLACK | 64 | 63 | 62 | 61 | 60 | | | 57 | | | | 52 | 51 | | 49 | | | | | | | |
| | | | | | | 48 | 47 | 46 | 45 | | | | | | 38 | | | | | | | | | | | | |
| | | | | | | 65 | | | | 32 | | 30 | 29 | | 27 | | | | | | | 22 | 21 | 20 | 19 | 18 | 17 |
| SALEABLE | NOT APPLICABLE | 34822-0403 | 9 | A | BLACK | 64 | 63 | | | | | | | | 54 | 53 | | 51 | | 49 | | | | | | | |
| | | | | | | | | | | | | | | 38 | 37 | | 35 | | 33 | | | | | | | | |
| | | | | | | 65 | | | | | 31 | | | 28 | | | | | | | 22 | | | 20 | 19 | 18 | 17 |
| SALEABLE | NOT APPLICABLE | 34822-0413 | 0 | A | BLACK | 64 | 63 | | | | | | | | 54 | 53 | | 51 | | 49 | | | | | | | |
| | | | | | | | | | | | | | | 38 | 37 | | 35 | | 33 | | | | | | | | |
| | | | | | | 65 | | | | | | | | 28 | | | | | | 22 | | | | 20 | 19 | 18 | 17 |
| SALEABLE | NOT APPLICABLE | 34822-0423 | 9 | A | BLACK | | | | | | 59 | 58 | 57 | 56 | 54 | 53 | | 50 | | | | | | | | | |
| | | | | | | | | | | 44 | 43 | 42 | 41 | 40 | 39 | | 37 | 36 | 35 | 34 | 33 | | | | | | |
| | | | | | | 65 | | | | | 31 | | | 28 | | 26 | 25 | 24 | 23 | | | | | | | | |
| SALEABLE | NOT APPLICABLE | 34566-9183 | 9 | B | ST GRAY | 72 | 71 | 70 | 69 | 68 | 67 | | 65 | 64 | 63 | 62 | 61 | 60 | 59 | | 57 | 56 | 55 | 54 | 53 | | |
| | | | | | | 52 | 51 | 50 | 49 | 48 | 47 | 46 | 45 | 44 | 43 | 42 | | 40 | 39 | | | 36 | 35 | 34 | 33 | | |
| | | | | | | 73 | | | | 32 | 31 | 30 | 29 | 28 | 27 | 26 | 25 | 24 | 23 | 22 | 21 | | | | 19 | | |
| SALEABLE | NOT APPLICABLE | 34566-9193 | 9 | F | NATURAL | | | | 69 | 68 | | | | | | | | | 58 | 57 | | | | | | | |
| | | | | | | | | | | | | | | | 43 | 42 | | | | | | | | | | | |
| | | | | | | 73 | | | | | | 30 | | | | | | | | | | | | | 19 | 18 | 17 |
| SALEABLE | NOT APPLICABLE | 34822-0433 | 0 | A | BLACK | 64 | 63 | 62 | | 60 | 59 | | 57 | 56 | 55 | 54 | 53 | 52 | 51 | 50 | 49 | | | | | | |
| | | | | | | 48 | 47 | 46 | 45 | | | | 42 | | | 39 | | 37 | 36 | 35 | 34 | 33 | | | | | |
| | | | | | | 65 | | | | 32 | | 30 | 29 | 28 | 27 | 26 | 25 | 24 | 23 | 22 | 21 | 20 | 19 | 18 | 17 | | |
| SALEABLE | NOT APPLICABLE | 34822-0443 | 0 | A | BLACK | 64 | 63 | 62 | | 60 | 59 | | 57 | 56 | 55 | 54 | 53 | 52 | 51 | 50 | 49 | | | | | | |
| | | | | | | 48 | 47 | 46 | 45 | | | | 42 | | | 39 | | 37 | 36 | 35 | 34 | 33 | | | | | |
| | | | | | | 65 | | | | 32 | 31 | 30 | 29 | 28 | 27 | 26 | 25 | 24 | 23 | 22 | 21 | 20 | 19 | 18 | 17 | | |

MX123 52/66/73/80-WAY RECEPTACLE ASSY SEALED PIN OUT SHEET

| STATUS | GM PART # | HRNS CONN ASSY | | | TPA | GROMMET CAP | | | | | | | | | | | | | | | | | | | | | | | |
|----------|----------------|----------------|-------------------|------------------|--------------------|---|----|----|----|----|----|----|----|----|----|----|----|----|----|----|----|----|----|----|----|----|----|----|----|
| | | MATERIAL/PART | WIRE DRESS OPTION | KEY OPTION Fp | COLOR OPTION Fp | NUMBERS INDICATE CAVITIES OPEN FOR CIRCUITS | | | | | | | | | | | | | | | | | | | | | | | |
| | | NUMBER | | | | Fp | | | | | | | | | | | | | | | | | | | | | | | |
| SALEABLE | NOT APPLICABLE | 34566-9323 | 9 | A | BLACK | 72 | | | | | | | | | 64 | | 62 | 61 | | 59 | 58 | 57 | 56 | 55 | 54 | 53 | | | |
| | | | | | | 52 | 51 | | | | 48 | | 46 | 45 | | 43 | | 41 | 40 | | | | | | | 20 | | | |
| | | | | | | 73 | | | | 32 | | 30 | 29 | | 27 | | 25 | | | | | | | | | | 4 | 3 | |
| SALEABLE | NOT APPLICABLE | 34566-9333 | 9 | A | BLACK | 72 | | | | | | | | | 64 | | 62 | 61 | | 59 | 58 | 57 | 56 | 55 | 54 | 53 | | | |
| | | | | | | 52 | 51 | | | | 48 | | 46 | 45 | | 43 | | 41 | 40 | | | | | | | 20 | | | |
| | | | | | | 73 | | | | 32 | | 30 | 29 | | 27 | | 25 | | | | | | | | | | 4 | 3 | |
| SALEABLE | NOT APPLICABLE | 34566-9343 | 9 | C | BLUE | 72 | | 70 | 69 | 68 | | 66 | | | | 63 | 62 | | | | 58 | | 56 | 55 | | 53 | | | |
| | | | | | | | | | 49 | | | 46 | | | 43 | 42 | | 40 | | | | 38 | | 36 | 35 | | | | |
| | | | | | | 73 | | | | | 31 | 30 | 29 | | | 26 | | 24 | | | | 22 | 21 | | 20 | 19 | | 17 | |
| SALEABLE | NOT APPLICABLE | 34822-0503 | 0 | A | BLACK | 64 | | 62 | 61 | 60 | 59 | 58 | | | | 54 | 53 | | 51 | | | | | | | | | | |
| | | | | | | 48 | 47 | | | | | | | | 38 | 37 | 36 | | 34 | | | | | | | | | | |
| | | | | | | 65 | | | | | | 30 | 29 | 28 | | | 26 | | 24 | | | 21 | | | | | | | 17 |
| SALEABLE | NOT APPLICABLE | 34822-0513 | 9 | A | BLACK | | 63 | 62 | 61 | | 59 | | | | | 54 | 53 | | | | | 49 | | | | | | | |
| | | | | | | | | | | | | | | | 38 | 37 | | 35 | | | 33 | | | | | | | | |
| | | | | | | 65 | | | | | 31 | | | 28 | | | | 24 | | | 22 | 21 | | 20 | 19 | 18 | 17 | | |
| SALEABLE | NOT APPLICABLE | 34566-9353 | 9 | A | BLACK | 72 | | | | | | | | | 64 | | 62 | 61 | | | 58 | 57 | 56 | 55 | 54 | 53 | | | |
| | | | | | | 52 | 51 | | | | 48 | | 46 | 45 | | 43 | | 41 | 40 | | | | | | 20 | | | | |
| | | | | | | 73 | | | | 32 | | 30 | 29 | | 27 | | 25 | | | | | | | | | 4 | | | |
| SALEABLE | NOT APPLICABLE | 34566-9363 | 9 | A | BLACK | 72 | | | | | | | | | 64 | | 62 | 61 | | | | 57 | 56 | 55 | 54 | 53 | | | |
| | | | | | | 52 | 51 | | | | | 46 | 45 | | 43 | | | 40 | | | | | 37 | | 35 | 34 | | | |
| | | | | | | 73 | | | | 32 | | 30 | 29 | | 27 | | 25 | | | | | | | | | 4 | | | |
| SALEABLE | NOT APPLICABLE | 34566-9373 | 9 | G | BLUE | 80 | | | | | | | | | | | | | | 66 | | 64 | | | | | | | |
| | | | | | | | 59 | | 57 | | | | | | | | 49 | | | | | | | | | | | | |
| | | | | | | | 39 | | | | | | | | | | 30 | | | | | | | | | | | | |
| SALEABLE | NOT APPLICABLE | 34566-9383 | 9 | A | BLACK | 72 | 71 | 70 | 69 | 68 | | | | | 64 | 63 | 62 | 61 | | 59 | 58 | 57 | 56 | 55 | 54 | 53 | | | |
| | | | | | | 52 | 51 | 50 | | 48 | 47 | 46 | 45 | 44 | 43 | | 41 | 40 | 39 | 38 | 37 | | | | 20 | 19 | 18 | 17 | |
| | | | | | | 73 | | | | 32 | | 30 | 29 | | 27 | 26 | 25 | 24 | | | | | | | | 4 | 3 | 2 | 1 |
| SALEABLE | NOT APPLICABLE | 34566-9393 | 0 | B | ST GRAY | 72 | 71 | 70 | 69 | 68 | 67 | | 65 | 64 | 63 | | 61 | 60 | 59 | | 57 | 56 | 55 | 54 | 53 | | | | |
| | | | | | | 52 | 51 | 50 | 49 | 48 | 47 | 46 | 45 | 44 | 43 | 42 | | 40 | 39 | | | | 36 | 35 | 34 | 33 | | | |
| | | | | | | 73 | | | | 32 | 31 | 30 | 29 | 28 | 27 | 26 | 25 | 24 | 23 | 22 | 21 | 20 | | | | | | | |
| SALEABLE | NOT APPLICABLE | 34566-9413 | 9 | H | ST GRAY | | | | | | | | | | | | | | | | | | | | | | | | |
| | | | | | | | | | | | | | | | | | | | | | | | | | | | | | |
| | | | | | | | | | | | | | | | | | | | | | | | | | | | | | |
| SALEABLE | NOT APPLICABLE | 34566-9423 | 0 | A | BLACK | 72 | 71 | 70 | | | 67 | 66 | | | | | | | | | 58 | 57 | 56 | 55 | 54 | 53 | | | |
| | | | | | | 52 | 51 | 50 | | | 47 | 46 | | | | | | | | | | 39 | | 37 | 36 | 35 | | 33 | |
| | | | | | | 73 | | | | 32 | 31 | 30 | 29 | 28 | 27 | 26 | | | | | | | | | | | 3 | 2 | 1 |
| SALEABLE | NOT APPLICABLE | 34566-9433 | 0 | B | ST GRAY | 72 | 71 | 70 | 69 | 68 | 67 | 66 | 65 | 64 | 63 | | 61 | | | | 58 | 57 | 56 | 55 | 54 | 53 | | | |
| | | | | | | 52 | 51 | 50 | 49 | 48 | 47 | 46 | 45 | 44 | | | | 40 | 39 | | | | 37 | 36 | 35 | 34 | 33 | | |
| | | | | | | 73 | | | | | | 30 | 29 | 28 | 27 | 26 | 25 | 24 | | | 21 | | | | | | | | 2 |
| SALEABLE | NOT APPLICABLE | 34566-9443 | 9 | B | ST GRAY | | | | 69 | 68 | 67 | | 65 | 64 | 63 | 62 | 61 | 60 | 59 | | 57 | 56 | 55 | 54 | 53 | | | | |
| | | | | | | | | 50 | 49 | 48 | 47 | 46 | | 44 | 43 | 42 | | 40 | 39 | | | | 36 | 35 | 34 | 33 | | | |
| | | | | | | 73 | | | | 32 | 31 | 30 | 29 | 28 | 27 | 26 | 25 | 24 | 23 | 22 | 21 | | | | | | | | |
| SALEABLE | NOT APPLICABLE | 34566-9453 | 0 | A | BLACK | 72 | 71 | 70 | 69 | | 67 | | | 64 | | | 61 | 60 | 59 | | 57 | 56 | 55 | 54 | 53 | | | | |
| | | | | | | 52 | 51 | | | | | 45 | 44 | | | | 41 | 40 | 39 | 38 | 37 | 36 | 35 | 34 | | | | | |
| | | | | | | 73 | | | | | 31 | 30 | 29 | | 27 | 26 | 25 | | | 22 | | | | | | 19 | 18 | | |

MX123 52/66/73/80-WAY RECEPTACLE ASSY SEALED PIN OUT SHEET

| STATUS | GM PART # | HRNS CONN ASSY | | | TPA | GROMMET CAP | | | | | | | | | | | | | | | | | | | | | |
|----------|----------------|----------------|-------------------|------------------|--------------------|---|----|----|----|----|----|----|----|----|----|----|----|----|----|----|----|----|----|----|----|----|----|
| | | MATERIAL/PART | WIRE DRESS OPTION | KEY OPTION Fp | COLOR OPTION Fp | NUMBERS INDICATE CAVITIES OPEN FOR CIRCUITS | | | | | | | | | | | | | | | | | | | | | |
| | | NUMBER | | | | Fp | | | | | | | | | | | | | | | | | | | | | |
| SALEABLE | NOT APPLICABLE | 34566-9633 | 9 | B | ST GRAY | 72 | 71 | 70 | 69 | 68 | 67 | | 65 | 64 | 63 | | 61 | 60 | 59 | | 57 | 56 | 55 | 54 | 53 | | |
| | | | | | | 52 | 51 | 50 | 49 | 48 | 47 | 46 | 45 | 44 | 43 | 42 | | 40 | 39 | | | | 36 | 35 | 34 | 33 | |
| | | | | | | 73 | | | | 32 | 31 | 30 | 29 | 28 | 27 | 26 | 25 | 24 | 23 | 22 | 21 | 20 | | | | 3 | 2 |
| SALEABLE | NOT APPLICABLE | 34566-9643 | 9 | A | BLACK | | | | 69 | | | | | 64 | 63 | | 61 | | 59 | | | | | | | | |
| | | | | | | 52 | | | | 48 | | | | 44 | 43 | | 41 | | 39 | 38 | | | | 35 | 34 | | |
| | | | | | | 73 | | | | | | 30 | 29 | | | | | | | 10 | | | | | | 5 | |
| SALEABLE | NOT APPLICABLE | 34566-9653 | 9 | G | BLUE | 80 | | | | | | | | | | | | | 66 | 65 | | | | | | | |
| | | | | | | | 59 | | 57 | | | | | | | | | | | | | | | | | | |
| | | | | | | | 39 | | | | | | | | | 30 | | | | | | | | | | | |
| SALEABLE | NOT APPLICABLE | 34566-9663 | 0 | B | ST GRAY | 72 | 71 | 70 | 69 | 68 | 67 | 66 | 65 | 64 | 63 | | 61 | | | 58 | 57 | 56 | 55 | 54 | 53 | | |
| | | | | | | 52 | 51 | 50 | 49 | 48 | 47 | 46 | 45 | 44 | | | 40 | | | | 37 | 36 | 35 | 34 | 33 | | |
| | | | | | | 73 | | | | 32 | | 30 | 29 | 28 | | 26 | 25 | 24 | | | 21 | | | | | | 2 |
| SALEABLE | NOT APPLICABLE | 34822-0533 | 9 | C | BLUE | 64 | 63 | | | 60 | 59 | | 57 | 56 | 55 | | 53 | 52 | 51 | 50 | 49 | 66 | | | | | |
| | | | | | | 48 | 47 | 46 | 45 | | | 42 | | | 39 | 38 | | 36 | 35 | 34 | 33 | | | | | | |
| | | | | | | 65 | | | | 32 | | 30 | 29 | 28 | 27 | 26 | 25 | 24 | 23 | 22 | | | 20 | | | 18 | 17 |
| SALEABLE | NOT APPLICABLE | 34822-0543 | 0 | A | BLACK | 64 | 63 | 62 | 61 | 60 | 59 | | | | | 54 | 53 | | 51 | | 49 | 66 | | | | | |
| | | | | | | | 47 | | | | | | | | 38 | 37 | | 35 | | | 33 | | | | | | |
| | | | | | | 65 | | | | | | | | 28 | | | 25 | 24 | | 22 | 21 | 20 | 19 | 18 | 17 | | |
| SALEABLE | NOT APPLICABLE | 34822-0553 | 0 | A | BLACK | 64 | 63 | | | | | | | | 54 | 53 | | 51 | | 49 | 66 | | | | | | |
| | | | | | | | | | | | | | | 38 | 37 | | 35 | | | 33 | | | | | | | |
| | | | | | | 65 | | | | | 31 | | | 28 | | | | 24 | 23 | | 21 | 20 | 19 | 18 | 17 | | |
| SALEABLE | NOT APPLICABLE | 34822-0563 | 0 | C | BLUE | 64 | 63 | 62 | | 60 | 59 | | 57 | 56 | 55 | 54 | 53 | 52 | 51 | 50 | 49 | 66 | | | | | |
| | | | | | | 48 | 47 | 46 | 45 | | | 42 | | | 39 | | 37 | 36 | 35 | 34 | 33 | | | | | | |
| | | | | | | 65 | | | | 32 | | 30 | 29 | 28 | 27 | 26 | | 24 | 23 | 22 | | | | 19 | 18 | 17 | |
| SALEABLE | NOT APPLICABLE | 34566-9673 | 0 | C | BLUE | 72 | 71 | 70 | 69 | | 67 | 66 | 65 | 64 | | | | 60 | | | 56 | | | 54 | | | |
| | | | | | | 52 | 51 | 50 | 49 | | 47 | 46 | 45 | 44 | | | | 40 | 39 | 38 | | | | | 34 | | |
| | | | | | | 73 | | | | | 31 | 30 | | 28 | | 26 | 25 | 24 | 23 | 22 | 21 | 20 | | | | | |
| SALEABLE | NOT APPLICABLE | 34566-9683 | 0 | B | ST GRAY | 72 | 71 | 70 | 69 | 68 | 67 | 66 | 65 | 64 | 63 | | 61 | 60 | | 57 | 56 | 55 | 54 | | | | |
| | | | | | | 52 | 51 | 50 | 49 | 48 | 47 | 46 | 45 | 44 | 43 | | 41 | 40 | | 38 | 37 | 36 | 35 | | | 33 | |
| | | | | | | 73 | | | | 32 | 31 | 30 | 29 | 28 | | 26 | | 24 | 23 | 22 | 21 | 20 | 19 | | | | 17 |
| SALEABLE | NOT APPLICABLE | 34566-9693 | 0 | A | BLACK | 72 | | 70 | | | 67 | | | | | 63 | | | 60 | 59 | 58 | 57 | 56 | 55 | 53 | | |
| | | | | | | 52 | 51 | | | 48 | 47 | | | | 43 | 42 | | 40 | 39 | 38 | 37 | 36 | 35 | | | 33 | |
| | | | | | | 73 | | | | | | | | 28 | | | | | | | | | | | | | 18 |
| SALEABLE | NOT APPLICABLE | 34566-9713 | 0 | B | ST GRAY | | | | | 68 | 67 | 66 | 65 | 64 | | | | | 59 | 58 | 57 | | 55 | 54 | 53 | | |
| | | | | | | | 51 | 50 | 49 | 48 | | 46 | 45 | | 43 | 42 | | 40 | 39 | 38 | 37 | | | 35 | | 33 | |
| | | | | | | 73 | | | | 32 | 31 | 30 | | | | 26 | | 24 | 23 | 22 | | 20 | | | | | |
| SALEABLE | NOT APPLICABLE | 34566-9723 | 0 | B | ST GRAY | | | | | 68 | 67 | 66 | 65 | 64 | 63 | | 61 | | | 58 | 57 | 56 | 55 | | | | |
| | | | | | | 52 | 51 | 50 | 49 | 48 | 47 | 46 | 45 | | 43 | | 40 | | | 37 | 36 | | | | | | |
| | | | | | | 73 | | | | 32 | | 30 | 29 | 28 | | 26 | 25 | 24 | | 21 | | | 19 | | | | |
| SALEABLE | NOT APPLICABLE | 34566-9733 | 0 | A | BLACK | 72 | 71 | 70 | | | 67 | 66 | | | | | | 59 | | | | | | 53 | | | |
| | | | | | | 52 | 51 | 50 | | | 47 | 46 | | | | | | 39 | | | 37 | | | 35 | | 33 | |
| | | | | | | 73 | | | | | | 30 | 29 | 28 | 27 | 26 | | | | 21 | | | | | | | 17 |
| SALEABLE | NOT APPLICABLE | 34822-0573 | 0 | A | BLACK | 64 | 63 | | | | | | | | | 54 | 53 | | 51 | | 49 | 66 | | | | | |
| | | | | | | | | | | | | | | | 38 | 37 | | 35 | | | 33 | | | | | | |
| | | | | | | 65 | | | | | | | | 28 | | | | 24 | | 22 | | 20 | 19 | 18 | 17 | | |

MX123 52/66/73/80-WAY RECEPTACLE ASSY SEALED PIN OUT SHEET

| STATUS | GM PART # | HRNS CONN ASSY | | | TPA | GROMMET CAP | | | | | | | | | | | | | | | | | | | | | |
|----------|----------------|----------------|-------------------|------------------|--------------------|---|----|----|----|----|----|----|----|----|----|----|----|----|----|----|----|----|----|----|----|----|----|
| | | MATERIAL/PART | WIRE DRESS OPTION | KEY OPTION Fp | COLOR OPTION Fp | NUMBERS INDICATE CAVITIES OPEN FOR CIRCUITS | | | | | | | | | | | | | | | | | | | | | |
| | | NUMBER | | | | Fp | | | | | | | | | | | | | | | | | | | | | |
| SALEABLE | NOT APPLICABLE | 34822-0653 | 0 | A | BLACK | 64 | 63 | 62 | 61 | | 59 | | | | | 54 | 53 | | | | 49 | 66 | | | | | |
| | | | | | | | | | | | 31 | | | 28 | | | | 24 | | 22 | 21 | 20 | 19 | 18 | 17 | | |
| | | | | | | 65 | | | | | 15 | 14 | 13 | 12 | | | | 8 | 7 | | | | 4 | 3 | 2 | 1 | |
| SALEABLE | NOT APPLICABLE | 34566-9833 | 9 | B | ST GRAY | 72 | 71 | 70 | 69 | 68 | 67 | | | 64 | 63 | | 61 | | | 58 | 57 | 56 | 55 | 54 | 53 | | |
| | | | | | | 52 | 51 | 50 | 49 | 48 | 47 | | | 44 | 43 | | 41 | | | 38 | 37 | 36 | | | | 33 | |
| | | | | | | 73 | | | | | 32 | | 30 | 29 | 28 | | 26 | 25 | 24 | 23 | 22 | 21 | 20 | | | | |
| SALEABLE | NOT APPLICABLE | 34566-9843 | 9 | A | BLACK | 72 | 71 | 70 | | | 67 | 66 | 65 | 64 | 63 | 62 | 61 | | | 59 | | | | 55 | 54 | 53 | |
| | | | | | | 52 | 51 | 50 | | | 47 | 46 | 45 | 44 | 43 | 42 | 41 | 40 | 39 | | | 37 | 36 | 35 | 34 | 33 | |
| | | | | | | 73 | | | | | | | 30 | 29 | | | | | | | | | | | | 18 | 17 |
| SALEABLE | NOT APPLICABLE | 34566-9853 | 9 | B | ST GRAY | 72 | 71 | 70 | 69 | 68 | 67 | | | 65 | 64 | 63 | 62 | 61 | 60 | 59 | 58 | 57 | 56 | 55 | 54 | 53 | |
| | | | | | | 52 | 51 | 50 | 49 | 48 | 47 | | | 45 | 44 | 43 | 42 | | 40 | 39 | | | 36 | 35 | 34 | 33 | |
| | | | | | | 73 | | | | | 32 | 31 | 30 | 29 | 28 | 27 | 26 | 25 | 24 | 23 | 22 | 21 | 20 | | | | |
| SALEABLE | NOT APPLICABLE | 34566-9863 | 0 | B | ST GRAY | 72 | 71 | 70 | 69 | 68 | 67 | | | 65 | 64 | 63 | 62 | 61 | 60 | 59 | | 57 | 56 | 55 | 54 | 53 | |
| | | | | | | 52 | 51 | 50 | 49 | 48 | 47 | 46 | 45 | 44 | 43 | 42 | | 40 | 39 | | | 36 | 35 | 34 | 33 | | |
| | | | | | | 73 | | | | | 32 | 31 | 30 | 29 | 28 | 27 | 26 | 25 | 24 | 23 | 22 | 21 | | | | | |
| SALEABLE | NOT APPLICABLE | 34566-0004 | 0 | A | BLACK | 72 | 71 | 70 | 69 | | 67 | | | 64 | 63 | | 61 | 60 | 59 | | 57 | 56 | 55 | 54 | 53 | | |
| | | | | | | 52 | 51 | | | 48 | | | 45 | 44 | 43 | | 41 | 40 | 39 | 38 | 37 | 36 | 35 | 34 | 33 | | |
| | | | | | | 73 | | | | | 31 | 30 | 29 | | 27 | 26 | 25 | | 22 | | | | 19 | 18 | | | |
| SALEABLE | NOT APPLICABLE | 34566-0014 | 0 | G | BLUE | 80 | 79 | 78 | 77 | | 75 | | | | | | | | 66 | 65 | 64 | | 62 | | | | |
| | | | | | | | 59 | | 57 | | | | | | | | | | 46 | | | 43 | 42 | 41 | | | |
| | | | | | | | 39 | 38 | 37 | | 35 | | 33 | 32 | | 30 | | | | 26 | 25 | 24 | | 22 | 21 | | |
| SALEABLE | NOT APPLICABLE | 34566-0024 | 0 | G | BLUE | 20 | | 18 | 17 | 16 | 15 | | | 12 | | | | 8 | 7 | 6 | 5 | | 3 | 2 | 1 | | |
| | | | | | | | | | | | | | | | | | | | | | | | | | | | |
| | | | | | | | | | | | | | | | | | | | | | | | | | | | |
| SALEABLE | NOT APPLICABLE | 34566-0034 | 0 | G | BLUE | 80 | 79 | 78 | | | 75 | | | | | | | 66 | 65 | 64 | | 62 | | | | | |
| | | | | | | | 59 | | 57 | | | | 53 | | | | | | 46 | | | 43 | 42 | 41 | | | |
| | | | | | | | 39 | 38 | 37 | | 35 | | 33 | 32 | | 30 | | | | 26 | 25 | 24 | | 22 | 21 | | |
| SALEABLE | NOT APPLICABLE | 34566-0044 | 0 | A | BLACK | 72 | 71 | 70 | 69 | | 67 | | | 64 | | | 61 | 60 | 59 | | 57 | 56 | 55 | 54 | 53 | | |
| | | | | | | 52 | 51 | | | 48 | | | 45 | 44 | | | 41 | 40 | 39 | 38 | 37 | 36 | 35 | 34 | 33 | | |
| | | | | | | 73 | | | | | 31 | 30 | 29 | | 27 | 26 | 25 | | 22 | | | | 19 | 18 | | | |
| SALEABLE | NOT APPLICABLE | 34566-0054 | 0 | G | BLUE | 80 | 79 | 78 | 77 | | 75 | | | | | | | 66 | 65 | 64 | | 62 | | | | | |
| | | | | | | | 59 | | 57 | | | | | | | | | | 46 | | | 43 | 42 | 41 | | | |
| | | | | | | | 39 | 38 | 37 | | 35 | | 33 | | | 30 | | | | 26 | 25 | 24 | | 22 | 21 | | |
| SALEABLE | NOT APPLICABLE | 34566-0064 | 0 | A | BLACK | 72 | 71 | 70 | 69 | | 67 | | | 64 | 63 | | 61 | 60 | 59 | | 57 | 56 | 55 | 54 | 53 | | |
| | | | | | | 52 | 51 | | | 48 | | | 45 | 44 | 43 | | 41 | 40 | 39 | 38 | 37 | 36 | 35 | 34 | | | |
| | | | | | | 73 | | | | | 31 | 30 | 29 | | 27 | 26 | 25 | | 22 | | | | 19 | 18 | | | |
| SALEABLE | NOT APPLICABLE | 34566-0084 | 0 | A | BLACK | | | 70 | 69 | | 67 | | | 64 | | | 61 | 60 | 59 | | 57 | 56 | 55 | 54 | 53 | | |
| | | | | | | 52 | 51 | | | 48 | | | 45 | 44 | | | 41 | 40 | 39 | 38 | 37 | 36 | 35 | 34 | 33 | | |
| | | | | | | 73 | | | | | 31 | 30 | 29 | | 27 | 26 | 25 | | 22 | | | | 19 | | | | |
| SALEABLE | NOT APPLICABLE | 34566-0094 | 0 | B | ST GRAY | 72 | 71 | 70 | 69 | 68 | 67 | | | 65 | 64 | 63 | 62 | 61 | 60 | 59 | | 57 | 56 | 55 | 54 | 53 | |
| | | | | | | 52 | 51 | 50 | 49 | 48 | 47 | 46 | 45 | 44 | 43 | 42 | | 40 | 39 | | | 36 | 35 | 34 | 33 | | |
| | | | | | | 73 | | | | | 32 | 31 | 30 | 29 | 28 | 27 | 26 | 25 | 24 | 23 | 22 | 21 | | | | | |
| SALEABLE | NOT APPLICABLE | 34566-0104 | 0 | B | ST GRAY | 72 | 71 | 70 | 69 | 68 | 67 | | | 65 | 64 | 63 | 62 | 61 | 60 | 59 | | 57 | 56 | 55 | 54 | 53 | |
| | | | | | | | | 50 | 49 | 48 | 47 | 46 | | 44 | 43 | 42 | | 40 | 39 | | | 36 | 35 | 34 | 33 | | |
| | | | | | | 73 | | | | | 32 | 31 | 30 | 29 | 28 | 27 | 26 | 25 | 24 | 23 | 22 | 21 | | | | | |
| | | | | | | | | | | | | | | | | | | | | | | | | | | | |

