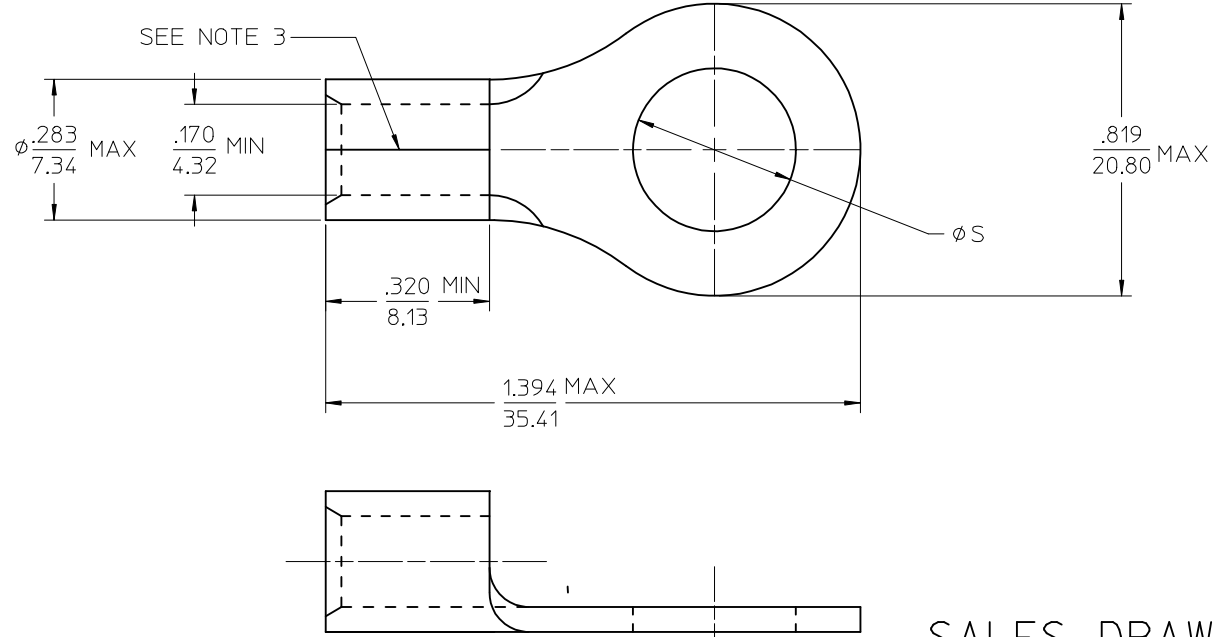
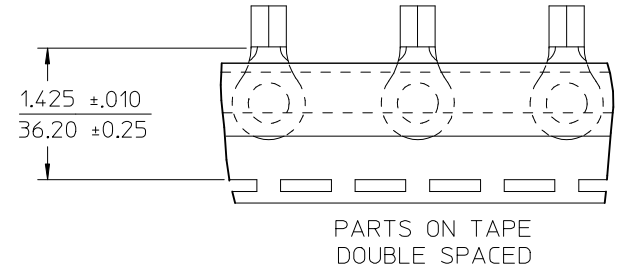


MATERIAL NUMBER	ENGINEERING NUMBER	STUD SIZE	ϕS ±.005/±0.13	PACKAGING
191930178	D-352-10	10	.198/5.03	LOOSE PIECE
191930182	D-352-14	1/4	.265/6.73	
191930185	D-352-56	5/16	.328/8.33	
191930184	D-352-38	3/8	.390/9.91	
191930187	D-352-76	7/16	.453/11.51	
191930179	D-352-12	1/2	.515/13.08	TAPE MOUNTED
191930186	D-352-58	5/8	.656/16.66	
191930189	D-352-76T	7/16	.453/11.51	
191930181	D-352-12T	1/2	.515/13.08	



SALES DRAWING

- NOTES:
- MATERIAL: COPPER .050/1.27 THK (REF).
PLATING: ELECTROPLATE TIN
 - ALL DIMENSIONS IN INCHES/(MM).
 - BRAZED SEAM.
 - TERMINAL INDICATED MUST MEET MS/AS-20659 TYPE 2 REQUIREMENTS.
 - PART IS ROHS COMPLIANT.

TYPON 1/4 STUD EC NO: IPG2015-1900 DRAWING: JAS01 2015/05/15 CHKD: JMACNEIL 2015/05/15 APPR: JMACNEIL 2015/05/28 REV: A2	QUALITY SYMBOLS	GENERAL TOLERANCES (UNLESS SPECIFIED)	DIMENSION STYLE	SCALE	DESIGN UNITS	THIRD ANGLE PROJECTION	
	▼=0 ▽=0	mm INCH 4 PLACES ±--- ±--- 3 PLACES ±--- ±--- 2 PLACES ±--- ±--- 1 PLACE ±--- ±--- ANGULAR ±---°	IN/MM	INCH	INCH	DRAWN BY: BENDERLE DATE: 2005/02/03 CHECKED BY: R DEROSS DATE: 2005/02/03 APPROVED BY: R DEROSS DATE: 2005/02/03 MATERIAL NO. SEE CHART DOCUMENT NO. SD-19193-036	RING TONGUE TERMINAL 8 AWG, VERSAKRIMP D-352 TONGUE MOLEX INCORPORATED SHEET NO. 1 OF 1
		DRAFT WHERE APPLICABLE MUST REMAIN WITHIN DIMENSIONS	SEE CHART				