



2 dBi 824-960/1710-2170 MHz Glass/Surface Mount Antenna SMA Connector

Antennas Technical Data Sheet

PE51GM1001

**Features**

- Attaches using integrated double sided tape

**Applications**

- Vehicular glass mount
- DAS Applications
- Service Vehicles
- Public Safety
- Public Transportation
- Mining & Construction

**Description**

This Multi-Band glass mount antenna is ideal for mobile installations on vehicles and for fixed DAS Applications.

**Configuration**

Design	Vehicular
Band Type	Multi
Radiation Pattern	Omni Directional
Wavelength	Half Wave
Polarization	Vertical
Cable Type	RG174
Cable Length	110 in [279.4 cm]
Connector Type	SMA Male
Housing Material and Plating	ABS, Black

**Electrical Specifications**

Description	Minimum	Typical	Maximum	Units
Frequency Range	824		1,990	MHz
Input VSWR			2:1	
Impedance		50		Ohms
Gain		2		dBi

**Specifications by Band**

Description	Band 1	Band 2	Band 3	Band 4	Band 5	Units
Range	824-960	1,710-1,990				MHz

**Mechanical Specifications**

Housing Material	ABS
Housing Plating/Color	Black
Mounting Application	Double side tape
Base Diameter	5.9 in [149.86 mm]
Color	Black

Click the following link (or enter part number in "SEARCH" on website) to obtain additional part information including price, inventory and certifications: [2 dBi 824-960/1710-2170 MHz Glass/Surface Mount Antenna SMA Connector PE51GM1001](#)



2 dBi 824-960/1710-2170 MHz Glass/Surface  
Mount Antenna SMA Connector

Antennas Technical Data Sheet

PE51GM1001

**Environmental Specifications**

**Temperature**

Operating Range

-20 to +65 deg C

Storage Range

-30 to +75 deg C

**Compliance Certifications** (see [product page](#) for current document)

**Plotted and Other Data**

Notes:

2 dBi 824-960/1710-2170 MHz Glass/Surface Mount Antenna SMA Connector from Pasternack Enterprises has same day shipment for domestic and International orders. Our RF, microwave and millimeter wave products maintain a 99.4% availability and are part of the broadest selection in the industry.

Click the following link (or enter part number in "SEARCH" on website) to obtain additional part information including price, inventory and certifications: [2 dBi 824-960/1710-2170 MHz Glass/Surface Mount Antenna SMA Connector PE51GM1001](#)

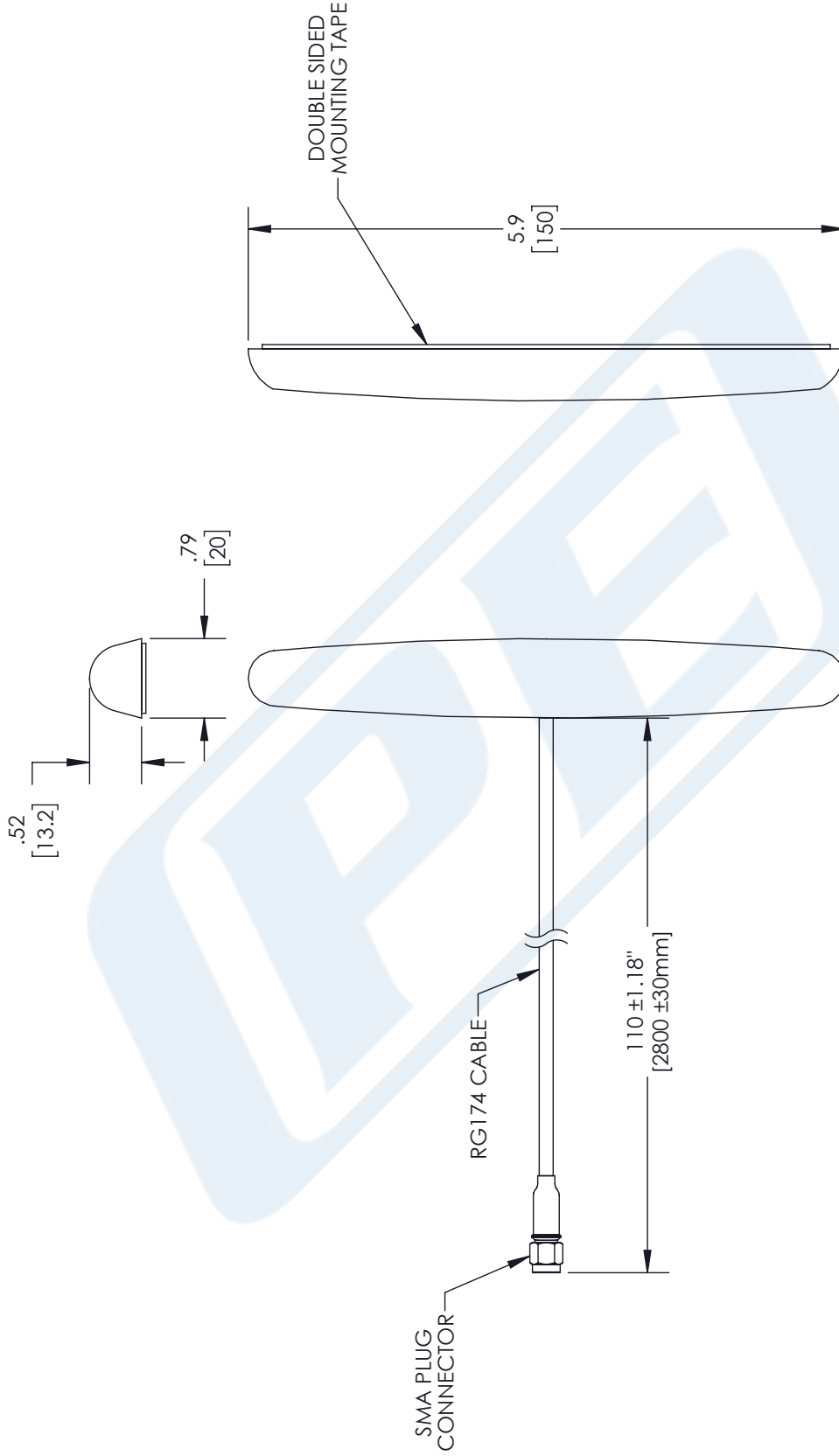
URL: <https://www.pasternack.com/multi-antenna-824-mhz-1.99-ghz-2-dbi-gain-sma-pe51gm1001-p.aspx>

The information contained in this document is accurate to the best of our knowledge and representative of the part described herein. It may be necessary to make modifications to the part and/or the documentation of the part, in order to implement improvements. Pasternack reserves the right to make such changes as required. Unless otherwise stated, all specifications are nominal. Pasternack does not make any representation or warranty regarding the suitability of the part described herein for any particular purpose, and Pasternack does not assume any liability arising out of the use of any part or documentation.

# PE51GM1001 CAD Drawing

2 dBi 824-960/1710-2170 MHz Glass/Surface Mount Antenna SMA Connector

REVISIONS	
A	INITIAL RELEASE
	08/14/19
	MMILLER



<p>UNLESS OTHERWISE SPECIFIED LEADING DIMENSIONS ARE INCHES DIMENSIONS IN [ ] ARE MILLIMETERS</p> <p>TOLERANCES: X±.2 [5.08] FRACTIONS ±1/32 XX±.01 [ .25] ANGLES ± 1° XXX±.005 [ .13]</p> <p>ALL DIMENSIONS SHOWN ARE FOR REFERENCE ONLY. THIRD-ANGLE PROJECTION</p>		<p>THE INFORMATION AND DESIGN IN THIS DOCUMENT IS THE PROPERTY OF PASTERNAK CORPORATION. ALL RIGHTS RESERVED.</p> <p>SHEET 1 OF 1</p> <p>SCALE N/A</p>	
<p>PE PASTERNAK an INFINITO brand</p> <p>Pasternack Enterprises, Inc. P.O. Box 16759, Irvine, CA 92623. Phone: 1.949.261.1920   1.866.727.8376 Fax: 1.949.261.7451 www.pasternack.com   e-mail: sales@pasternack.com</p>		<p>REV A</p> <p>PART NUMBER PE51GM1000</p>	
SIZE A	CAGE NUMBER 53919	DRAWN BY BPUCHASKI	REV A

THESE COMMODITIES, TECHNOLOGY OR SOFTWARE WERE EXPORTED FROM THE UNITED STATES IN ACCORDANCE WITH THE EXPORT ADMINISTRATION REGULATIONS. DIVERSION CONTRARY TO U.S. LAW PROHIBITED.