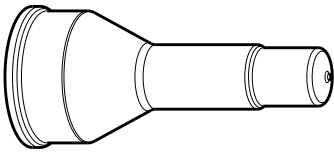
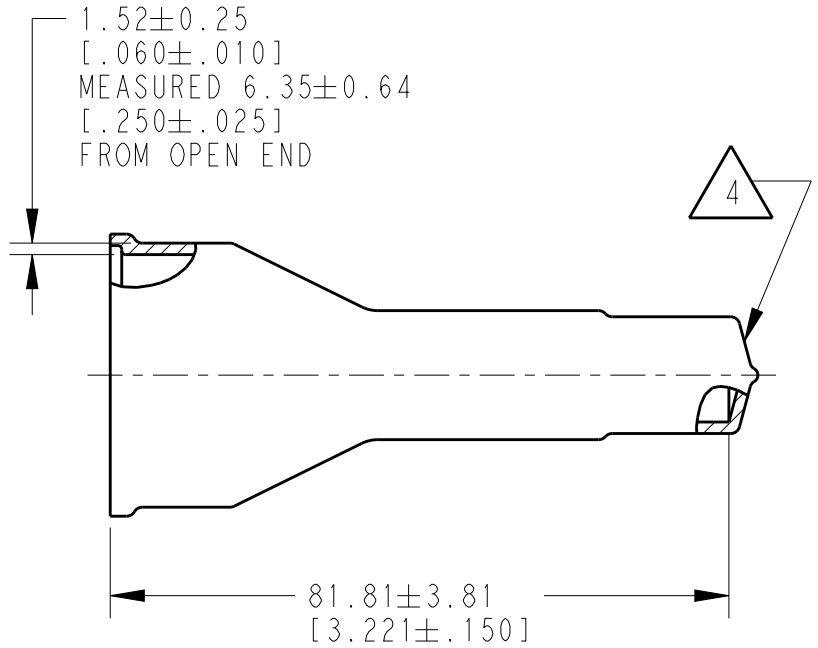
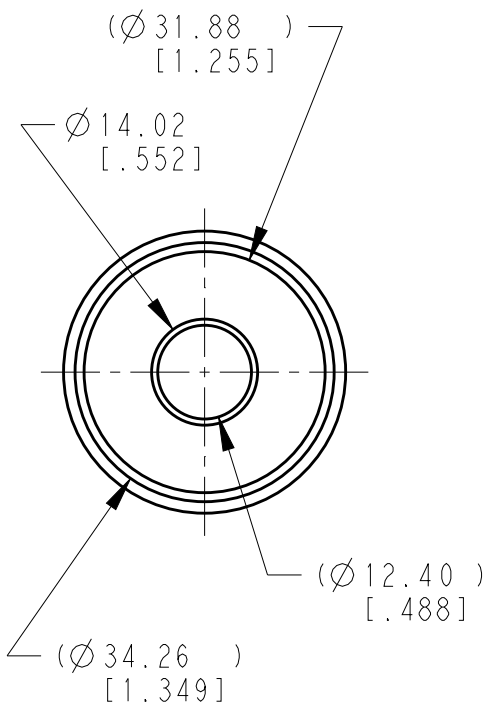


2019 RELEASED FOR PUBLICATION

LOC	DIST	REVISIONS				
P	LTR	DESCRIPTION	DATE	DWN	APVD	
	A	NEW RELEASE PER ECO-14-012863	27AUG2014	DM	DM	
	A1	REVISED PER PCN E-19-017229	06NOV2019	JA	IG	



SCALE 1:2



- 4 SMALL MATERIAL EXTENSION IS ACCEPTABLE ON THIS END ALL AROUND,
3. THIS ACCESSORY PART IS PROVIDED WITHOUT TYPICAL TRANSPORTATION INDUSTRY PROCESS CONTROL. NO VALIDATION TESTING HAS BEEN PERFORMED. CUSTOMER IS RESPONSIBLE FOR DETERMINING PRODUCT PERFORMANCE AND SUITABILITY FOR APPLICATION.
2. TEMPERATURE RATING: -29° TO +100°C [-20°F TO +121°F].
1. THIS PART IS USED ON:
 HD10-6-XXX RECEPTACLES
 HD14-6-XXX RECEPTACLES
 HD16-6-XXX PLUG
 WHERE XXX IS PIN ARRANGEMENTS

NOTES:

TE INTERNAL PN	DEUTSCH PN
HD10-6BT	HD10-6BT

DIMENSIONS:	
mm [INCHES]	
TOLERANCES UNLESS OTHERWISE SPECIFIED:	
0 PLC	±
1 PLC	±
2 PLC	±
3 PLC	±0.64 [.025]
4 PLC	±
ANGLES	±5°

DWN D.MEYER	27AUG2014
CHK I.GRANTCHAROVA	27AUG2014
APVD D.MEYER	27AUG2014
PRODUCT SPEC	
APPLICATION SPEC	
WEIGHT	9.08g

MATERIAL	PVC	FINISH	GRAY
TE TE Connectivity			
NAME BOOT, RECEPTACLE, SIZE 6 HD10 SERIES			
SIZE	A 4	CAGE CODE	4AFU8
DRAWING NO	C=HD10-6BT		
RESTRICTED TO	-		

CUSTOMER DRAWING		SCALE	1:1	SHEET	1	OF	1	REV	A1
------------------	--	-------	-----	-------	---	----	---	-----	----