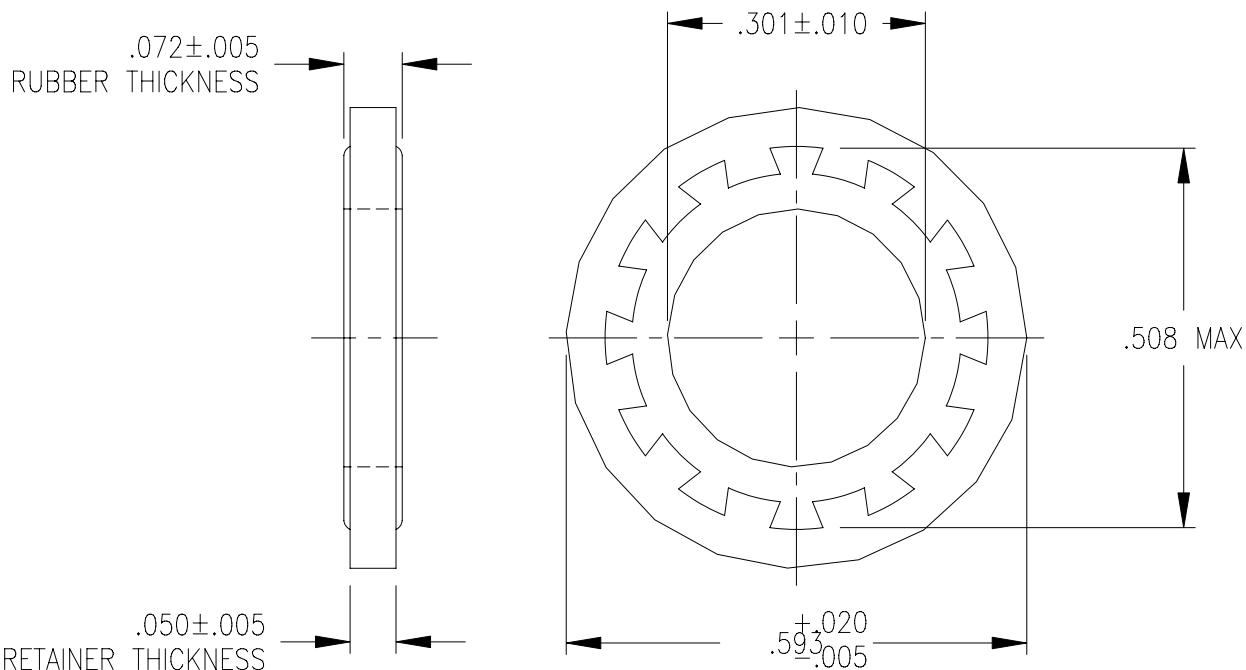




REVISIONS			
LTR	DESCRIPTION	DATE	APPROVED
N/C	INITIAL RELEASE PER DCR# T-31544	01/14/03	M. HIGGY



MATERIAL:
 ELASTOMER: FLUOROSILICONE, PER MIL-R-25988, CLASS II, TYPE 1
 WASHER: STAINLESS STEEL (302/304) PER MIL-S-5059, AMS 5513, ANNEALED,
 PASSIVATE PER SAE AMS-QQ-P-35.

SPECIFICATION CONTROL DRAWING

UNLESS OTHERWISE SPECIFIED DIMENSIONS ARE IN INCHES. METRIC DIMENSIONS ARE IN BRACKETS. DECIMALS .XXX ± _____ .XX ± _____ ANGLES _____ WEIGHT ---	DRAWN	MFORONDA	01/14/03	tyco Electronics	Raychem Products 305 Constitution Drive Menlo Park, CA. 94025 USA	
	CHECKED					
	APPROVED	M.HIGGY	01/14/03	TITLE	SEALING WASHER	
	APPROVED			CAD NAME:	T31544.dwg	
THIRD ANGLE PROJECTION			SIZE	CODE IDENT. NO.	DWG. NO.	REV.
				06090	D-600-0053F	N/C
				DO NOT SCALE THIS DRAWING		SHEET 1 OF 1

