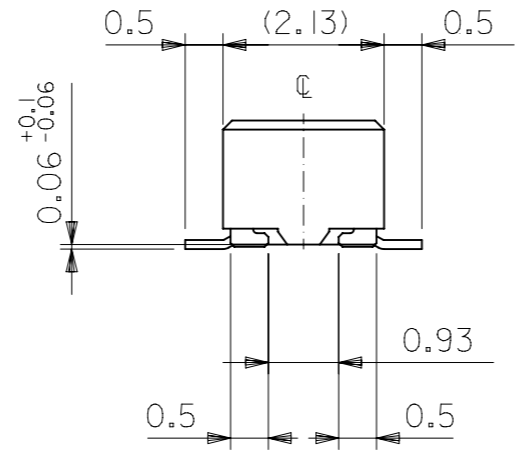
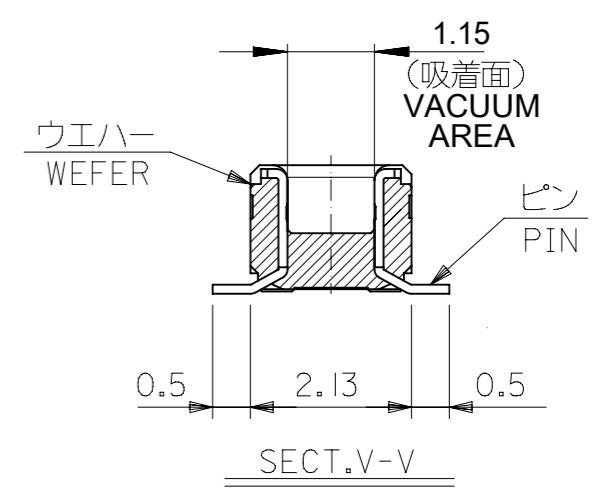


注記 NOTES:

- 使用材料 MATERIAL
 ウエハー: 液晶ポリマー (LCP) ガラス充填 UL94V-0 (黒)
 WAFER: LIQUID CRYSTAL POLYMER (GLASS FILLED)
 UL94V-0 (COLOR:BLACK)
 ピン: 黄銅 (t=0.12)
 PIN: BRASS (t=0.12)
 金具: リン青銅 (t=0.2)
 FITTING NAIL: PHOSPHOR BRONZE (t=0.2)
- メッキ仕様 PLATING
 ピン PIN
 金メッキ 0.2 マイクロメートル以上 (コンタクト部)
 GOLD 0.2MICROMETER MINIMUM (CONTACT AREA)
 金メッキ 0.4 マイクロメートル以下 (テール部)
 GOLD 0.4MICROMETER MAXIMUM (TAIL AREA)
 下地メッキ: ニッケルメッキ 1.5 マイクロメートル以上
 UNDER PLATING: NICKEL 1.5MICROMETER MINIMUM
 金具 FITTING NAIL
 錫メッキ 1.0 マイクロメートル以上
 TIN PLATING 1.0MICROMETER MINIMUM
 下地メッキ: ニッケルメッキ 1.0 マイクロメートル以上
 UNDER PLATING: NICKEL 1.0MICROMETER MINIMUM



- (全極数/2) = 偶数の場合に適用。
 APPLY FOR (CIRCUIT/2)=EVEN.
- 嵌合相手: 51338シリーズ (嵌合高さ = 2.0mm) 及び
 500913シリーズ (嵌合高さ = 2.3mm)
 MATE WITH: 51338 SERIES (HEIGHT = 2.0mm) AND
 500913 SERIES (HEIGHT = 2.3mm)
- テール平坦度は、0.08以下
 テール及び金具の平坦度は、0.1以下
 TAIL COPLANARITY TO BE 0.08MAXIMUM
 TAIL AND FITTING NAIL
 COPLANARITY TO BE 0.1MAXIMUM
- ELV 及び RoHS 適合品
 ELV AND RoHS COMPLIANT.



17.2	15.6	18.0	501745-0801	80
15.2	13.6	16.0	501745-0701	70
13.2	11.6	14.0	501745-0601	60
12.0	10.4	12.8	501745-0541	54
11.2	9.6	12.0	501745-0501	50
9.2	7.6	10.0	501745-0401	40
7.2	5.6	8.0	501745-0301	30
3.6	2.0	4.4	501745-9901	12
C	B	A	EMBOSSED PACKAGE	CKT.
			ORDER NO. オーダー番号	
			CONNECTOR SERIES No.	501745-***0

GENERAL TOLERANCES (UNLESS SPECIFIED)

10 UNDER	±0.2
10 OVER 30 UNDER	±0.25
30 OVER	±0.3

THIS DRAWING CONTAINS INFORMATION THAT IS PROPRIETARY TO MOLEX ELECTRONIC TECHNOLOGIES, LLC AND SHOULD NOT BE USED WITHOUT WRITTEN PERMISSION

mm NTS SCALE

GENERAL TOLERANCES (UNLESS SPECIFIED)

ANGULAR TOL ± 3.0°

4 PLACES ±

3 PLACES ±

2 PLACES ±

1 PLACE ±

0 PLACES ±

DRAFT WHERE APPLICABLE MUST REMAIN WITHIN DIMENSIONS

THIRD ANGLE PROJECTION

DRAWING A3-SIZE

SERIES 501745

MATERIAL NUMBER SEE TABLE

CUSTOMER GENERAL MARKET

SHEET NUMBER 1 OF 2

EC NO: 739909

DRWN: RAJMOK 2023/02/21

CHK'D: HSHIMUYAMA 2023/02/23

APPR: YNAITO 2023/02/23

INITIAL REVISION:

DRWN: KSAITO01 2007/03/06

APPR: NUKITA 2007/03/06

DOCUMENT NUMBER SD-501745-001

DOC TYPE PSD

DOC PART 001

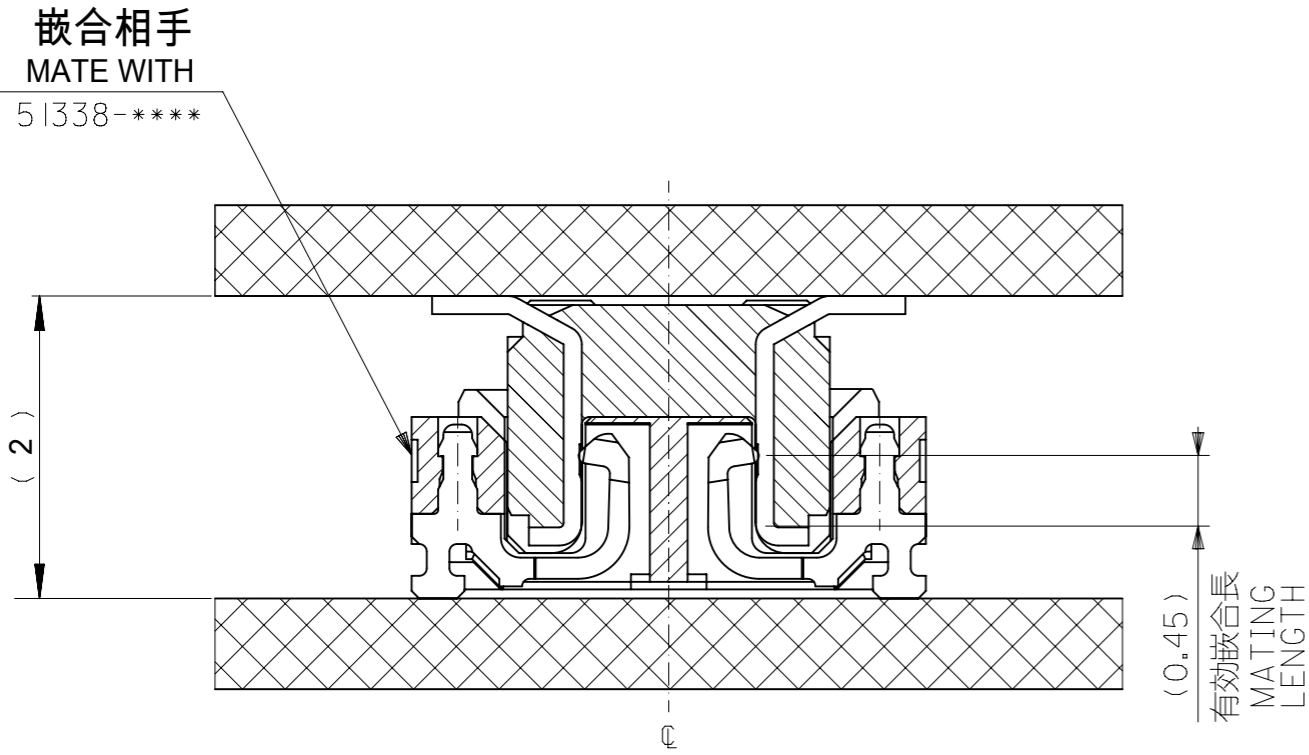
REVISION J

molex

0.4 B-TO-B CONN. H = 2.0 / 2.3 J-BEND PLUG

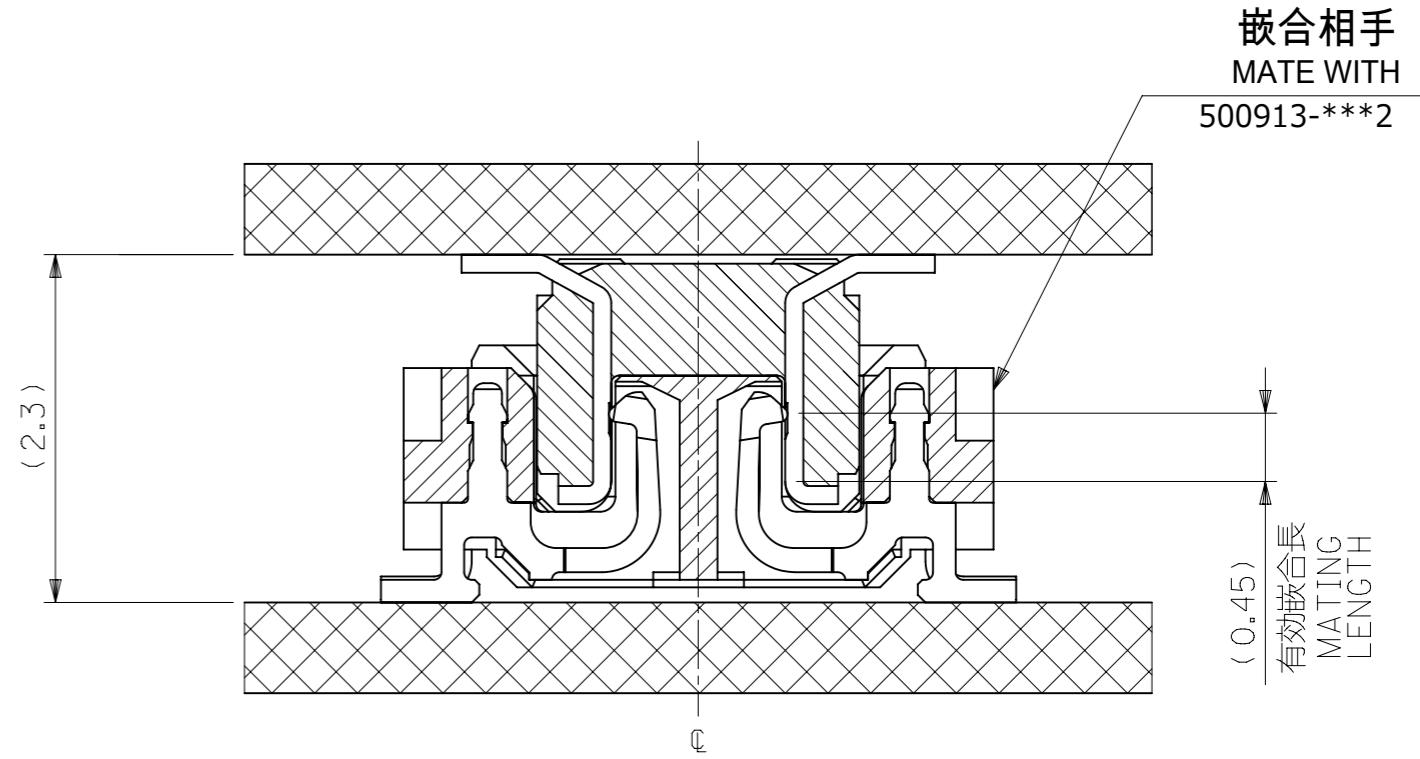
PRODUCT CUSTOMER DRAWING

MATE : 501745 WITH 51338

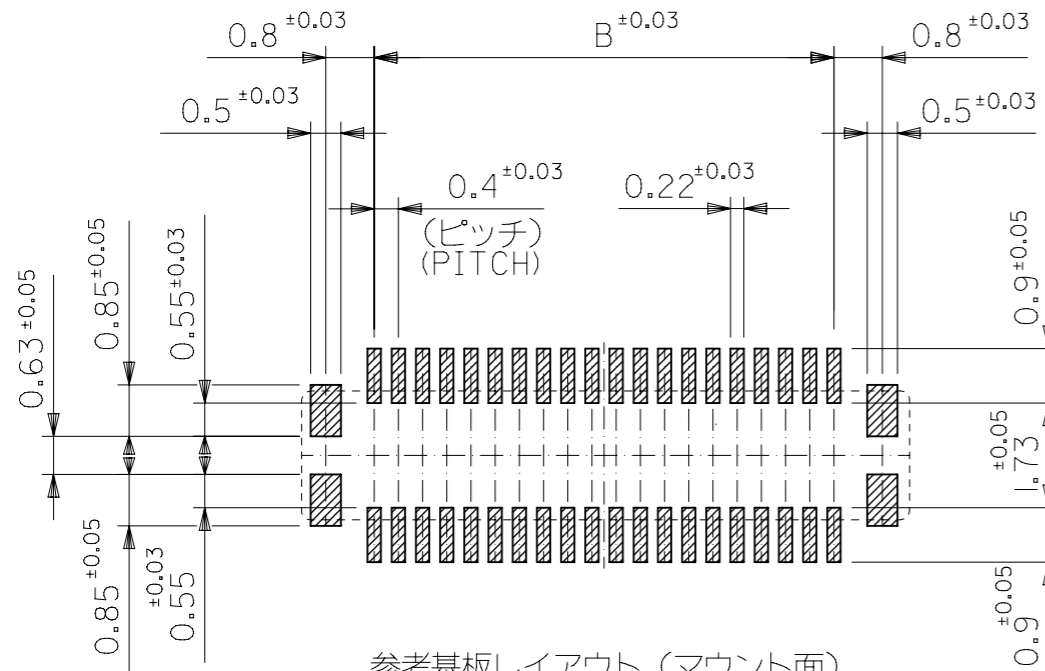


嵌合断面図 (参考)
MATED DRAWING (REFERENCE)

MATE : 501745 WITH 500913



嵌合断面図 (参考)
MATED DRAWING (REFERENCE)



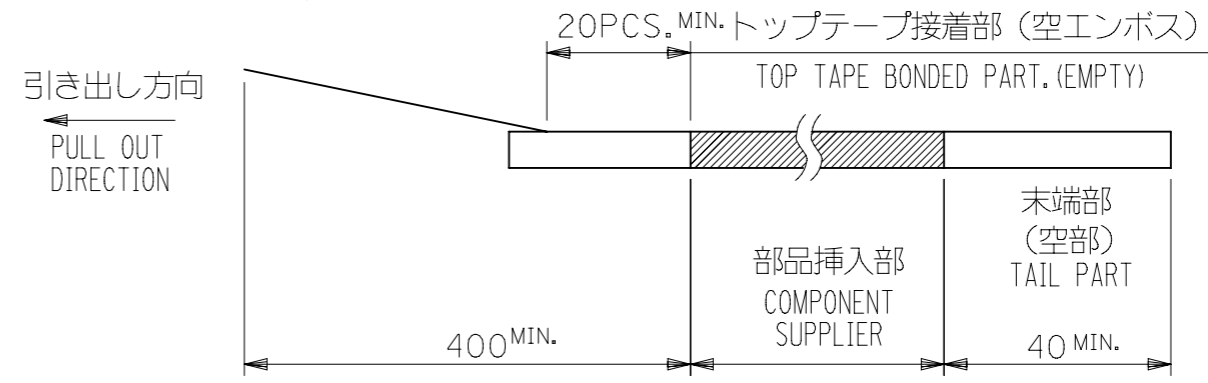
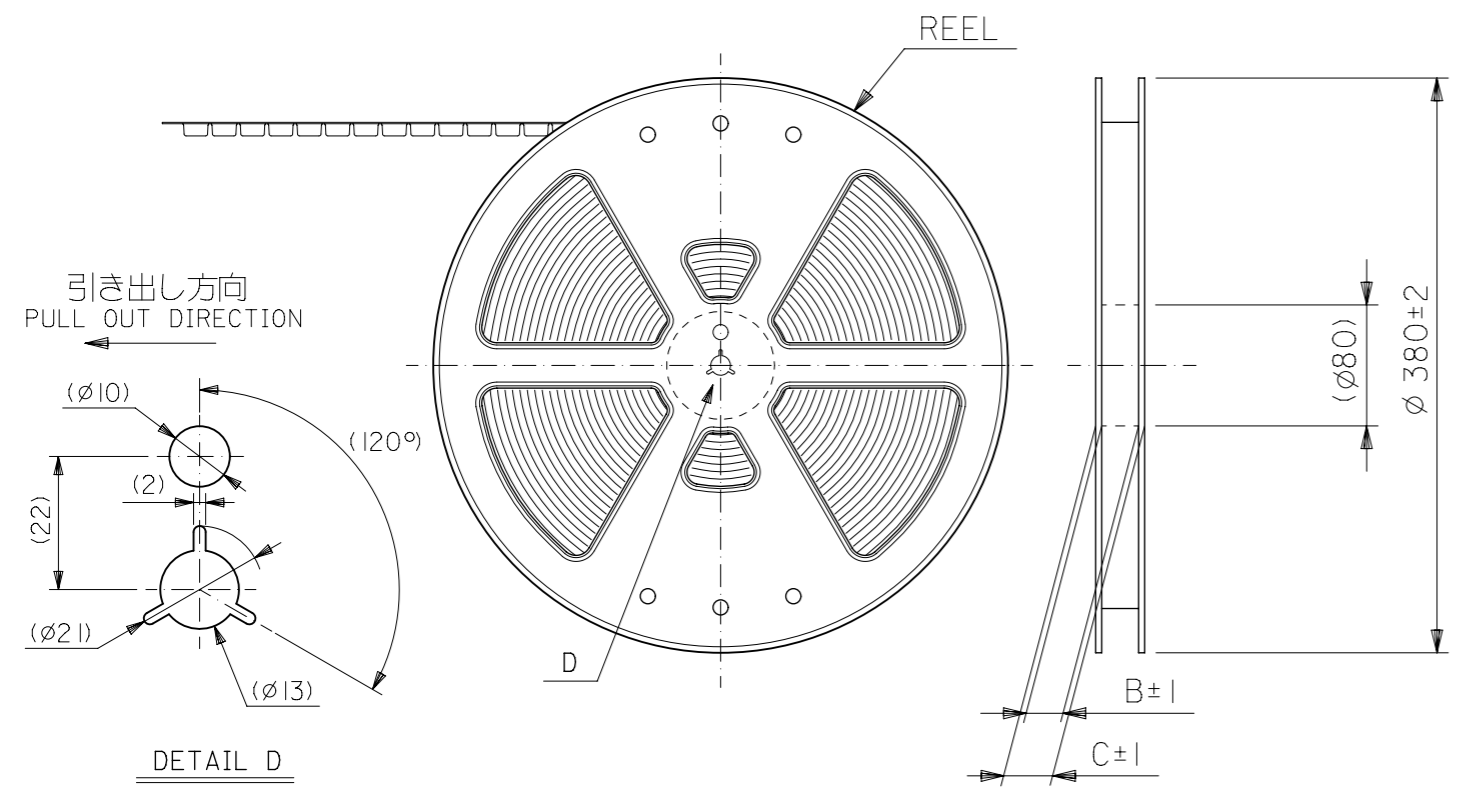
参考基板レイアウト (マウント面)
P.C.BOARD PATTERN DIMENSION.
(REFERENCE)
(MOUNTING AREA)

GENERAL TOLERANCES (UNLESS SPECIFIED)	
10 ^{UNDER}	±0.2
10 ^{OVER} 30 ^{UNDER}	±0.25
30 ^{OVER}	±0.3

THIS DRAWING CONTAINS INFORMATION THAT IS PROPRIETARY TO MOLEX ELECTRONIC TECHNOLOGIES, LLC AND SHOULD NOT BE USED WITHOUT WRITTEN PERMISSION		CONNECTOR SERIES No. 501745-***0	
DIMENSION UNITS mm	SCALE NTS	CURRENT REV DESC.	
GENERAL TOLERANCES (UNLESS SPECIFIED)		molex	
ANGULAR TOL ± 3.0°		0.4 B-TO-B CONN. H = 2.0 / 2.3 J-BEND PLUG	
4 PLACES ±	EC NO: 739909	PRODUCT CUSTOMER DRAWING	
3 PLACES ±	DRWN: RAJMOK 2023/02/21	DOCUMENT NUMBER	
2 PLACES ±	CHK'D: HSHIMUYAMA 2023/02/23	SD-501745-001	
1 PLACE ±	APPR: YNAITO 2023/02/23	DOC TYPE DOC PART REVISION	
0 PLACES ±	INITIAL REVISION:	PSD 001 J	
DRAFT WHERE APPLICABLE MUST REMAIN WITHIN DIMENSIONS		DRWN: KSAITO01 2007/03/06	MATERIAL NUMBER
THIRD ANGLE PROJECTION		APPR: NUKITA 2007/03/06	CUSTOMER
DRAWING		SERIES	SHEET NUMBER
A3-SIZE		501745	2 OF 2
SEE SHEET-1		GENERAL MARKET	

NOTES

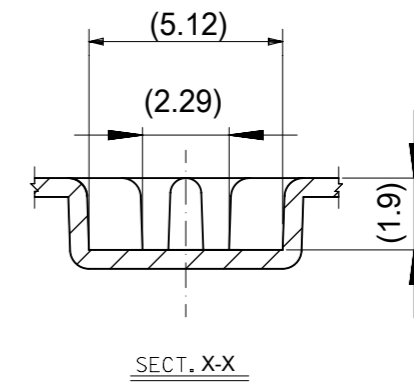
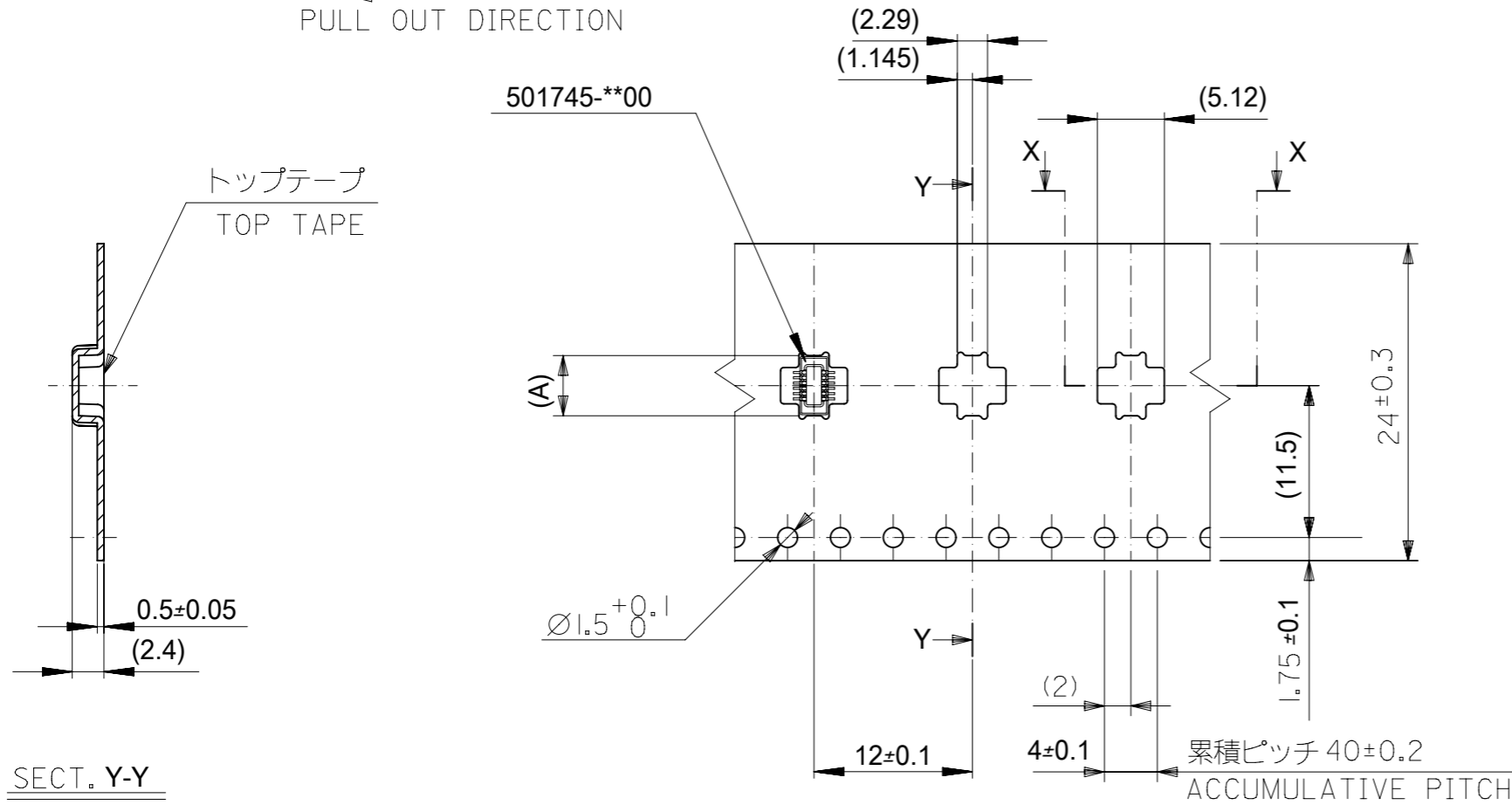
- 製品詳細寸法については製品単体図面を参照下さい。
DETAIL DIMENSIONS, SEE PRODUCT DRAWING.
- 梱包数量：2500個/リール
NUMBER OF CONNECTORS : 2500PCS/REEL
- リードテープ長さ LEAD TAPE LENGTH



- 材料 MATERIAL
 キャリアテープ (CARRIER TAPE) : ポリスチレン (POLYSTYRENE)
 トップテープ (TOP TAPE) : PET
 リール (REEL) : ポリスチレン (PS) <リサイクル材を含む>
 POLYSTYRENE (PS) <RECYCLE MATERIAL CONTAINED>
- ELV 及び RoHS 適合品
 ELV AND RoHS COMPLIANT.

DIMENSION UNITS mm		SCALE NTS		THIS DRAWING CONTAINS INFORMATION THAT IS PROPRIETARY TO MOLEX ELECTRONIC TECHNOLOGIES, LLC AND SHOULD NOT BE USED WITHOUT WRITTEN PERMISSION			
GENERAL TOLERANCES (UNLESS SPECIFIED)				CURRENT REV DESC:			
4 PLACES ±				EC NO: 638555			
3 PLACES ±				DRWN: BKBAE 2020/05/15			
2 PLACES ±				CHK'D: SHCHU 2020/05/29			
1 PLACE ±				APPR: SHCHU 2020/06/01			
0 PLACES ±				INITIAL REVISION:			
ANGULAR TOL ± 3.0°				DRWN: K.SAITO 2007/03/01			
DRAFT WHERE APPLICABLE MUST REMAIN WITHIN DIMENSIONS				APPR: N.UKITA 2007/03/01			
10 ^{UNDER} ±0.2		10 ^{OVER} 30 ^{UNDER} ±0.25		DRAFT WHERE APPLICABLE MUST REMAIN WITHIN DIMENSIONS		THIRD ANGLE PROJECTION	
30 ^{OVER} ±0.3				DRAWING A3-SIZE		SERIES 501745	
DOCUMENT NUMBER		DOC TYPE		DOC PART		REVISION	
SD-501745-002		PSD		001		F	
MATERIAL NUMBER		CUSTOMER		SHEET NUMBER			
SEE CHART		GENERAL MARKET		1 OF 4			

引き出し方向
PULL OUT DIRECTION



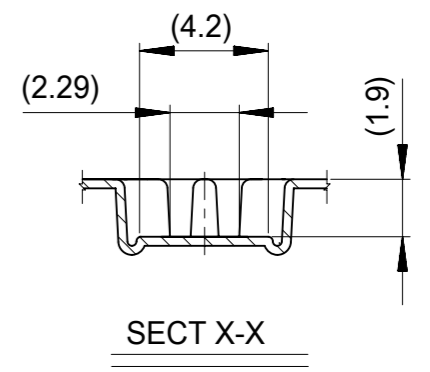
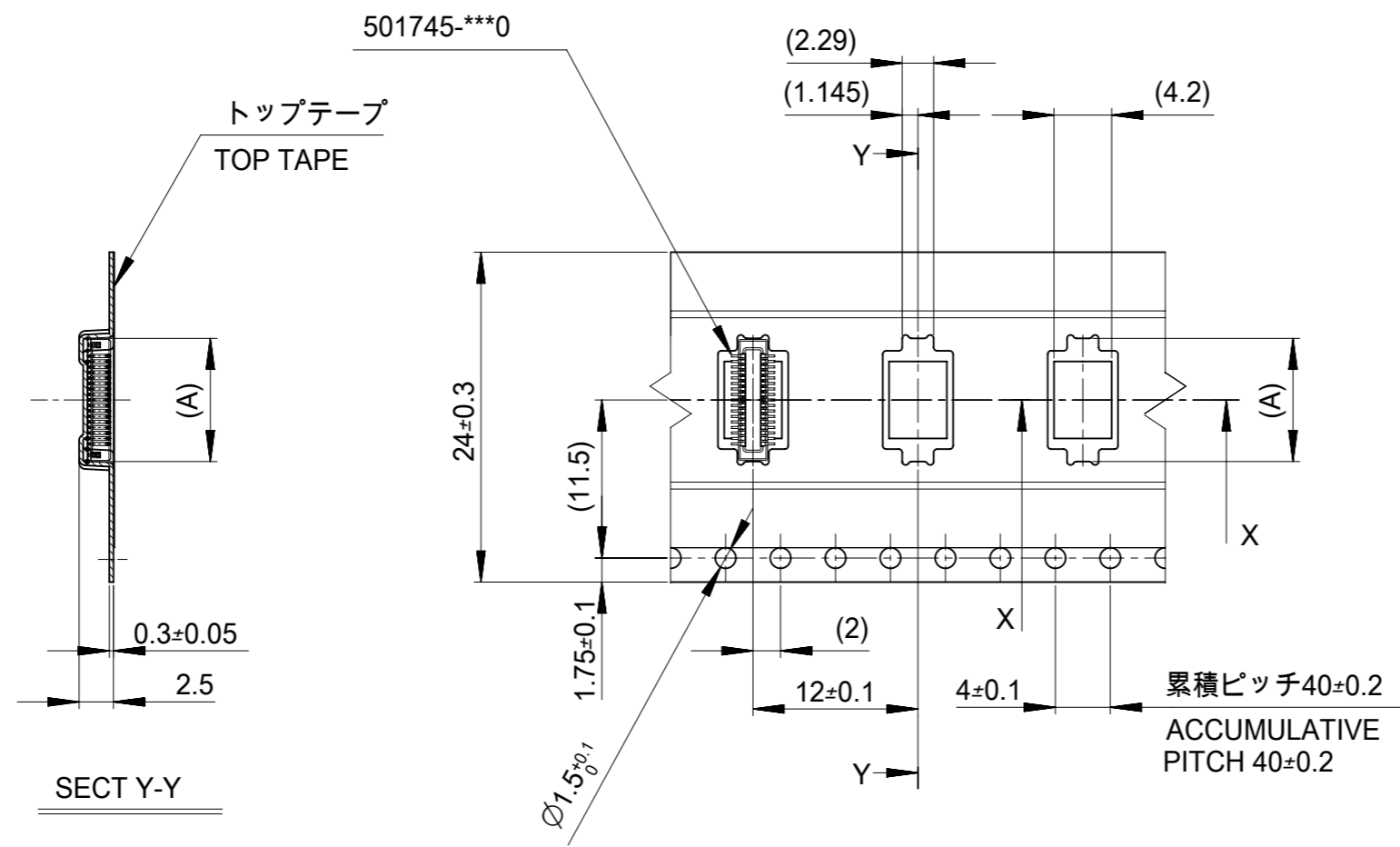
注記)製品がポケット内に問題なく収まること。
NOTE. Pocket should contain product smoothly.

24	29.4	25.4	4.56	501745-9901	12
キャリアテープ幅 CARRIER TAPE WIDTH	C	B	(A)	オーダー番号 ORDER NO.	極数 CKT.
CONNECTOR SERIES No.				501745-***0	

THIS DRAWING CONTAINS INFORMATION THAT IS PROPRIETARY TO MOLEX ELECTRONIC TECHNOLOGIES, LLC AND SHOULD NOT BE USED WITHOUT WRITTEN PERMISSION					
DIMENSION UNITS		SCALE		CURRENT REV DESC:	
mm	NTS				
GENERAL TOLERANCES (UNLESS SPECIFIED)					
		MM	INCH		
4 PLACES	±			EC NO: 638555	
3 PLACES	±			DRWN: BKBAE	2020/05/15
2 PLACES	±			CHK'D: SHCHU	2020/05/29
1 PLACE	±			APPR: SHCHU	2020/06/01
0 PLACES	±			INITIAL REVISION:	
		ANGULAR TOL ± 3.0°		DRWN: K.SAITO	2007/03/01
		DRAFT WHERE APPLICABLE MUST REMAIN WITHIN DIMENSIONS		APPR: N.UKITA	2007/03/01
		THIRD ANGLE PROJECTION	DRAWING	SERIES	MATERIAL NUMBER
			A3-SIZE	501745	SEE CHART
		CUSTOMER	SHEET NUMBER		
		GENERAL MARKET	2 OF 4		

GENERAL TOLERANCES (UNLESS SPECIFIED)		
10 ^{UNDER}		±0.2
10 ^{OVER}	30 ^{UNDER}	±0.25
30 ^{OVER}		±0.3

引き出し方向
PULL OUT
DIRECTION



24	29.4	25.4	14.16	501745-0601	60
			12.96	501745-0541	54
			12.16	501745-0501	50
			10.16	501745-0401	40
			8.16	501745-0301	30
キャリアテープ幅 CARRIER TAPE WIDTH			C	B	(A)
			オーダー番号 ORDER NO.	極数 CKT.	

CONNECTOR SERIES No. 501745-***0

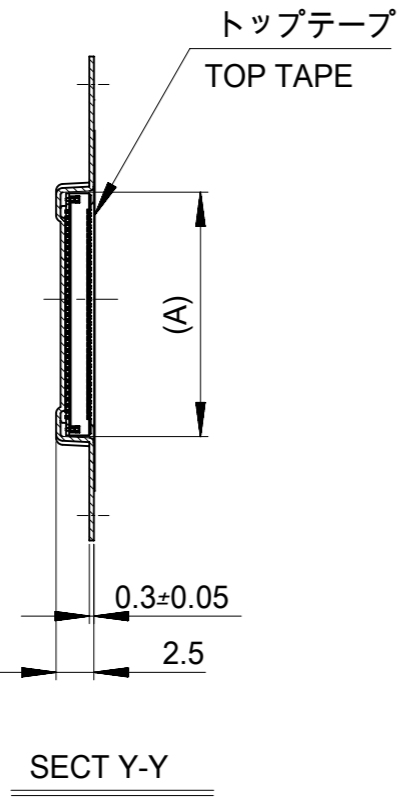
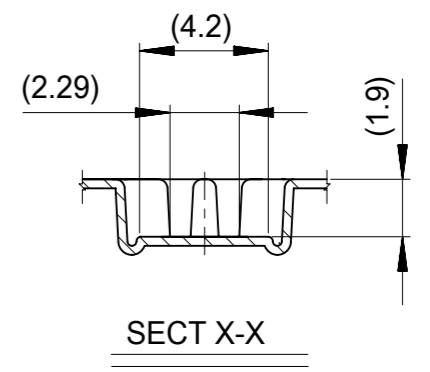
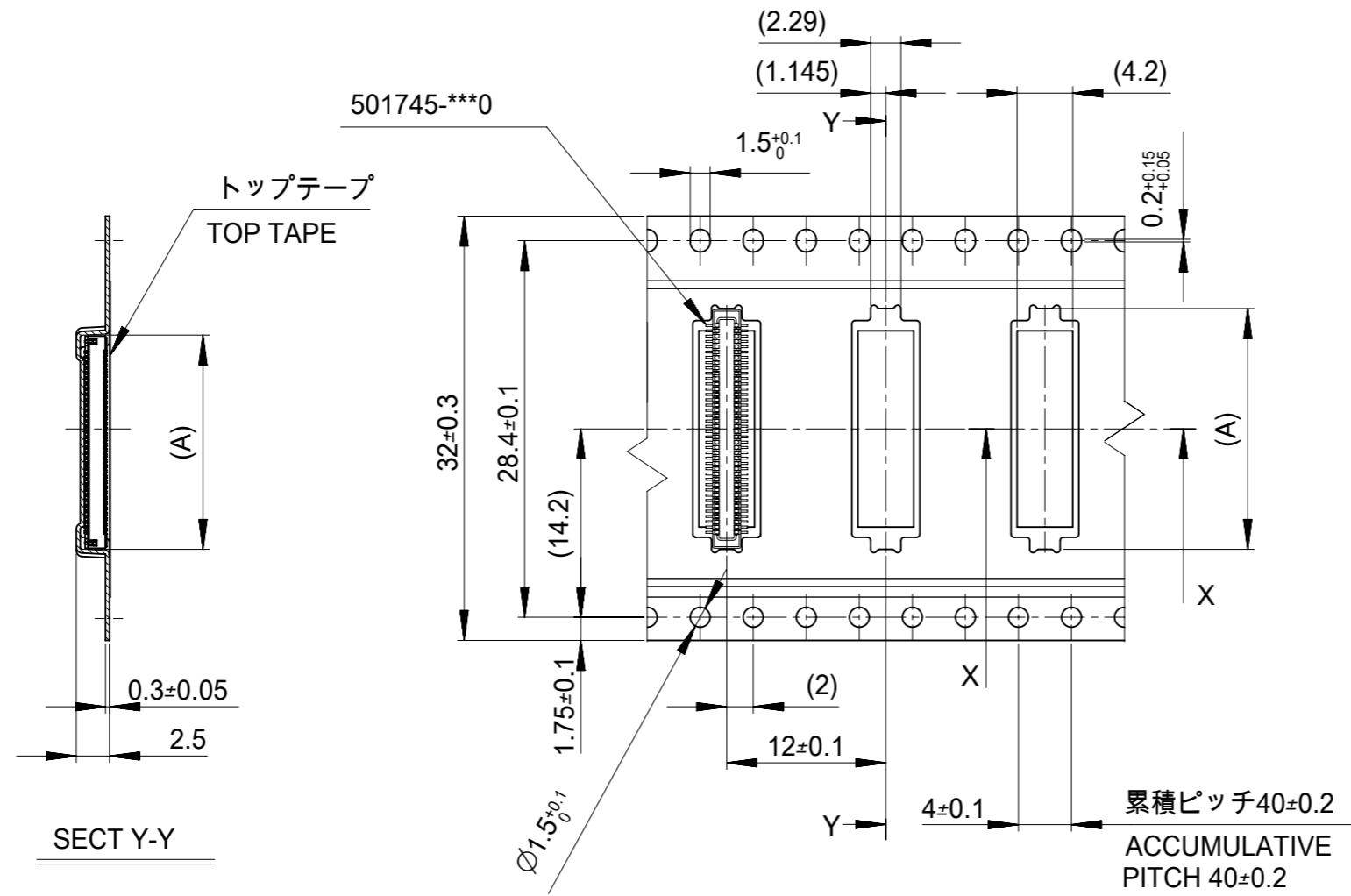
THIS DRAWING CONTAINS INFORMATION THAT IS PROPRIETARY TO MOLEX ELECTRONIC TECHNOLOGIES, LLC AND SHOULD NOT BE USED WITHOUT WRITTEN PERMISSION

DIMENSION UNITS	SCALE	CURRENT REV DESC:	
mm	NTS		
GENERAL TOLERANCES (UNLESS SPECIFIED)		molex	
		0.4 B-TO-B CONN. H = 2.0 / 2.3 J-BEND PLUG	
		PRODUCT CUSTOMER DRAWING	
		DOCUMENT NUMBER	DOC TYPE DOC PART REVISION
		SD-501745-002	PSD 001 F
		MATERIAL NUMBER	CUSTOMER
		SEE CHART	GENERAL MARKET
		SHEET NUMBER	3 OF 4

GENERAL TOLERANCES (UNLESS SPECIFIED)

10 ^{UNDER}	±0.2
10 ^{OVER} 30 ^{UNDER}	±0.25
30 ^{OVER}	±0.3

引き出し方向
PULL OUT
DIRECTION



32	37.4	33.4	18.16	501745-0801	80
			16.16	501745-0701	70
キャリアテープ幅 CARRIER TAPE WIDTH		C	B	(A)	極数 CKT.
CONNECTOR SERIES No.					501745-***0
オーダー番号 ORDER NO.					

THIS DRAWING CONTAINS INFORMATION THAT IS PROPRIETARY TO MOLEX ELECTRONIC TECHNOLOGIES, LLC AND SHOULD NOT BE USED WITHOUT WRITTEN PERMISSION

DIMENSION UNITS	SCALE	CURRENT REV DESC:			
mm	NTS				
GENERAL TOLERANCES (UNLESS SPECIFIED)		molex			
		0.4 B-TO-B CONN. H = 2.0 / 2.3 J-BEND PLUG			
		PRODUCT CUSTOMER DRAWING			
		DOCUMENT NUMBER	DOC TYPE	DOC PART	REVISION
		SD-501745-002	PSD	001	F
		MATERIAL NUMBER	CUSTOMER	SHEET NUMBER	
		SEE CHART	GENERAL MARKET	4 OF 4	

GENERAL TOLERANCES (UNLESS SPECIFIED)		
10 ^{UNDER}		±0.2
10 ^{OVER}	30 ^{UNDER}	±0.25
30 ^{OVER}		±0.3