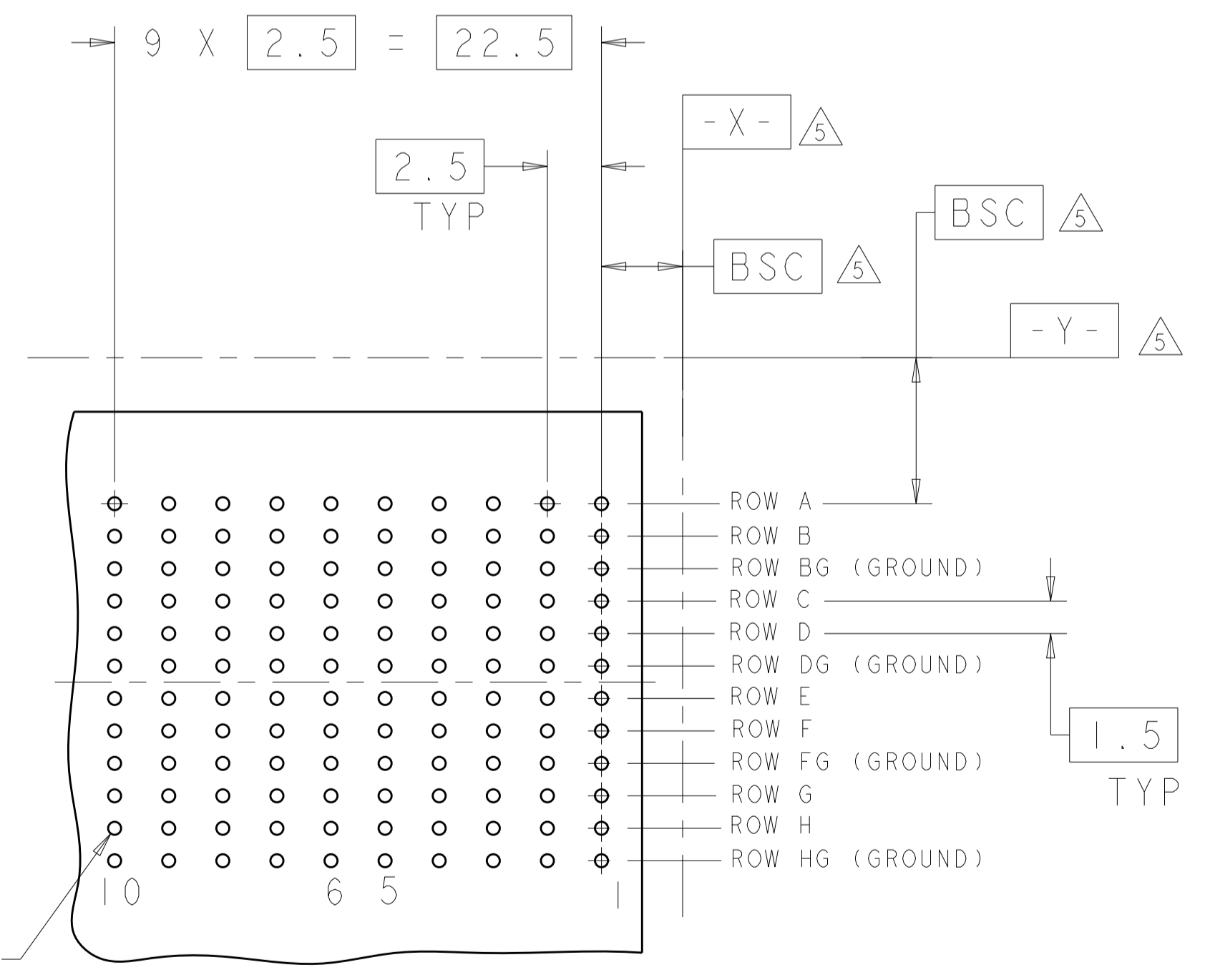
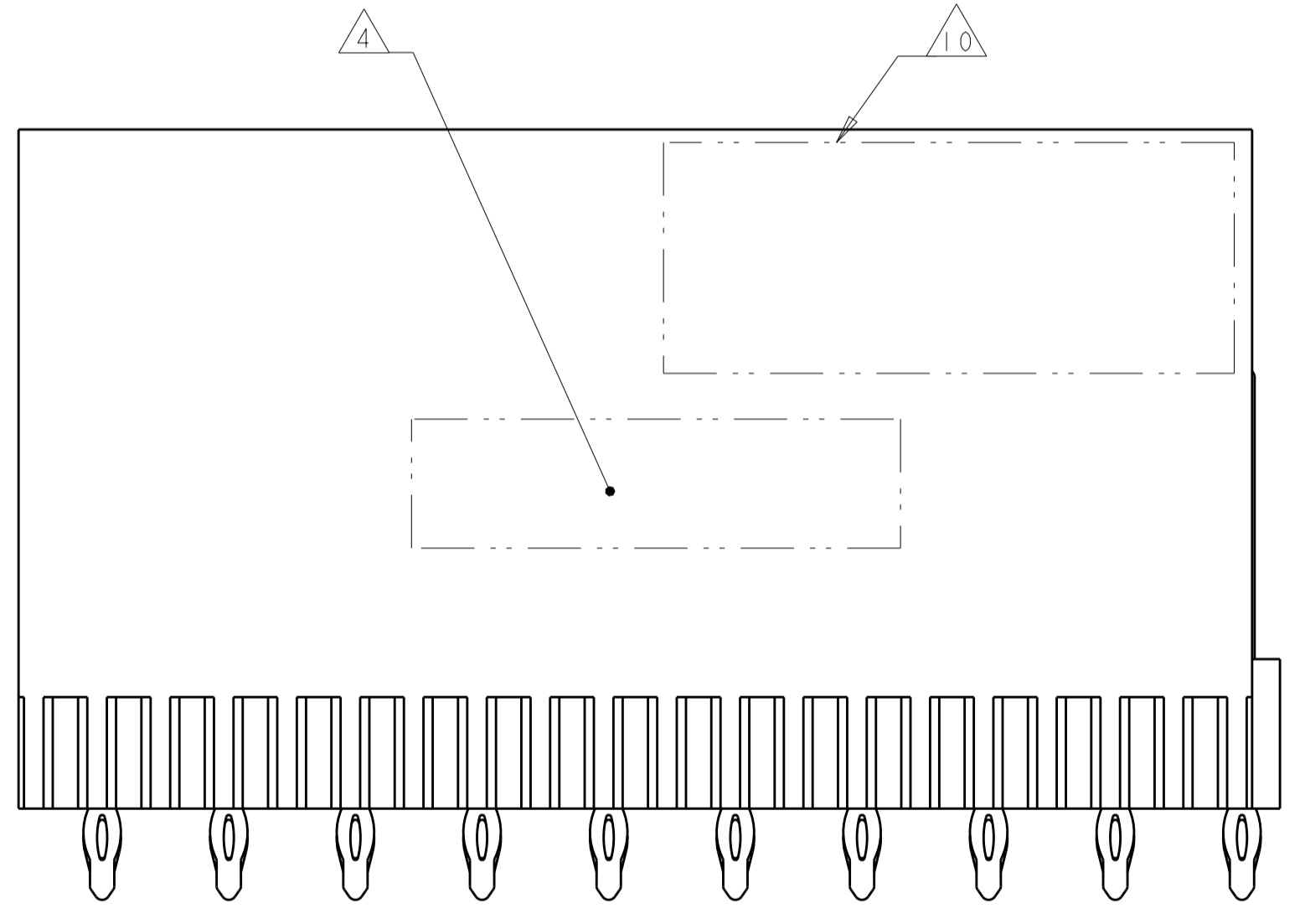
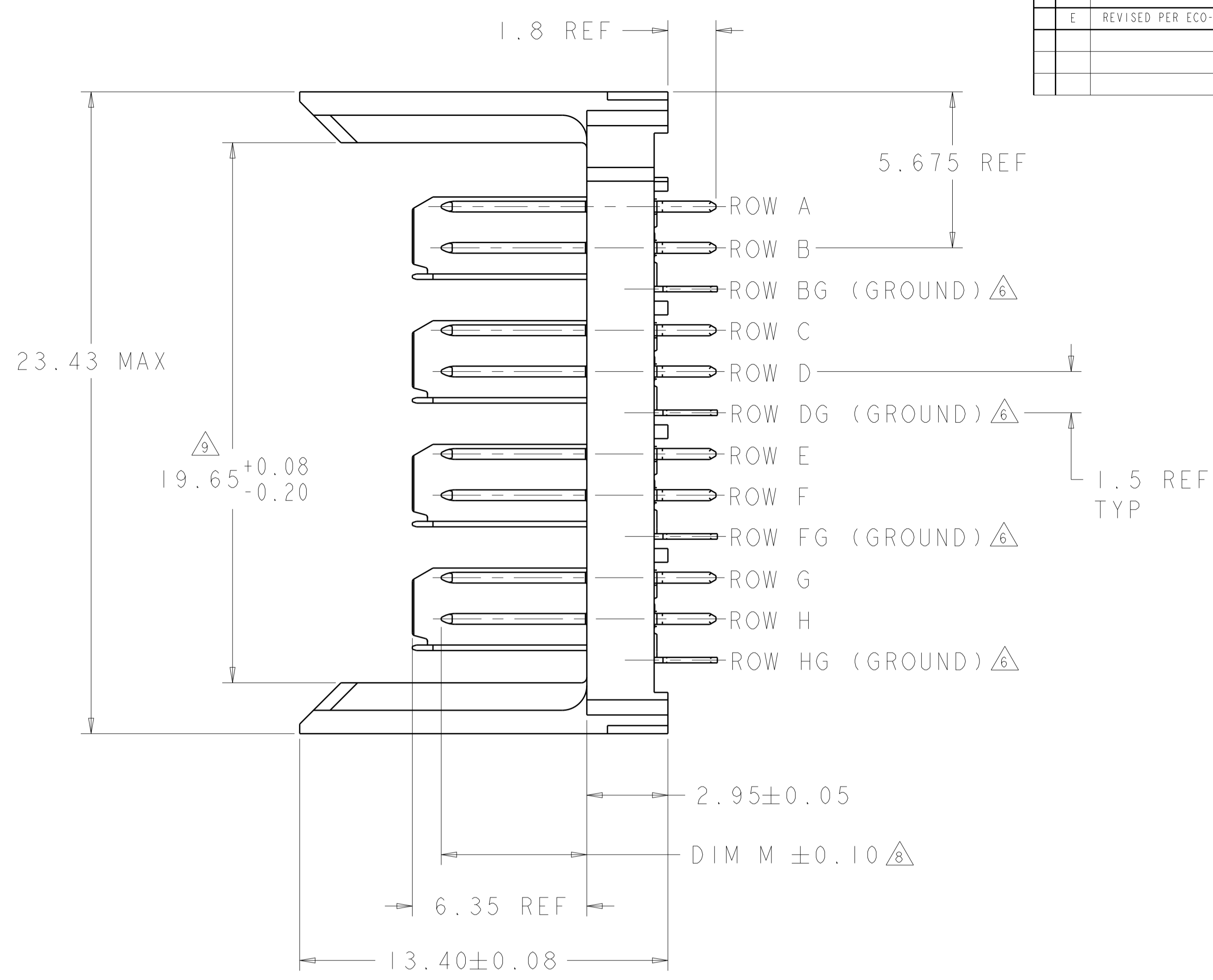
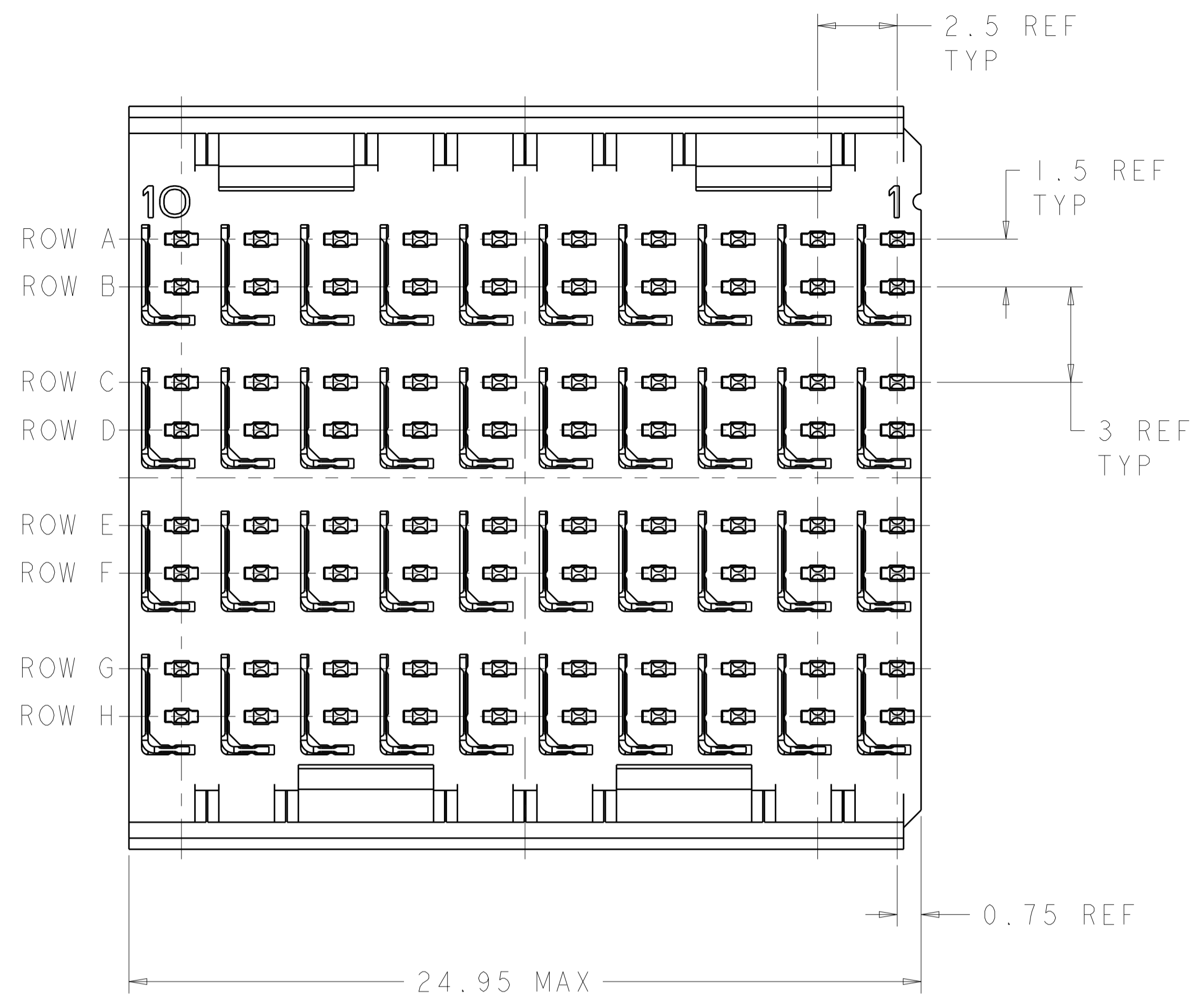


REVISIONS				
P. LTM	DESCRIPTION	DATE	DMN	APVD
E	REVISED PER ECO-18-018129	09OCT2019	AP	DS



- △ REFERENCE APPLICATION SPEC 114-13059 FOR RECOMMENDED PLATED THRU HOLE DIAMETER AND PLATING THICKNESSES.
- △ MATERIAL:  
CONTACT AND SHIELD - PHOSPHOR BRONZE  
HOUSING - GLASS FILLED POLYESTER, UL 94V-0.
- △ FINISH: SIGNAL AND GROUND CONTACTS:  
MATING AREA: MEETS THE PERFORMANCE REQUIREMENTS OF PRODUCT SPECIFICATION 108-2055; BASED ON TELCORDIA GR-1217-CORE, APPLICATIONS IN UNCONTROLLED ENVIRONMENTS  
COMPLIANT PIN AREA: 0.5 μm MIN MATTE TIN OVER BASE PLATING
- △ CONNECTOR MARKED WITH PART NUMBER AND DATE CODE.
- △ DATUMS AND BASIC DIMENSIONS ESTABLISHED BY CUSTOMER.
- △ THE FOUR GROUNDS IN EACH COLUMN ARE COMMONED.
- 7. CONTACT AREA LUBRICATED WITH BELLCORE APPROVED LUBRICANT. TECHNICAL REFERENCE: GR-1217-CORE, ISSUE 1, NOVEMBER 1995.
- △ REFER TO "CONTACT LAYOUT" CHART FOR SEQUENCING.
- △ DIMENSION APPLIES TO FIRST AND LAST CIRCUITS.
- △ TE OR TE CONNECTIVITY LOGO IS LOCATED.

**CONTACT LAYOUT**  
A = 3.80mm (DIM M)  
B = 5.30mm (DIM M)  
G = GROUND

		COLUMNS									
		10	9	8	7	6	5	4	3	2	1
ROWS	A	B	B	B	B	B	B	B	B	B	A
	B	B	B	B	B	B	B	B	B	B	B
	BG	G	G	G	G	G	G	G	G	G	G
	C	B	B	B	B	B	B	B	B	B	B
	D	B	B	B	B	B	B	B	B	B	B
	DG	G	G	G	G	G	G	G	G	G	G
	E	B	B	B	B	B	B	B	B	B	B
	F	B	B	B	B	B	B	B	B	B	B
	FG	G	G	G	G	G	G	G	G	G	G
G	B	B	B	B	B	B	B	B	B	B	
H	B	B	B	B	B	B	B	B	B	B	
HG	G	G	G	G	G	G	G	G	G	G	

⊕ ⌀0.05 X Y  
ALL PLATED THRU HOLES

RECOMMENDED PC BOARD LAYOUT, BACKPLANE, COMPONENT SIDE SHOWN  
SCALE 4:1

1645547-1  
PART NUMBER

THIS DRAWING IS A CONTROLLED DOCUMENT.		DMN: D. HUMBERT 08JAN2010	 TE Connectivity
DIMENSIONS: mm		CHK: D. HUMBERT 08JAN2010	
TOLERANCES UNLESS OTHERWISE SPECIFIED:		APVD: D. HUMBERT 08JAN2010	NAME: HEADER ASSEMBLY, 4 PAIR, SELECTIVELY LOADED, 1.8mm TAIL, 25mm HMzd
0 PLC ± 1 PLC ± 2 PLC ± 3 PLC ± 4 PLC ± ANGLES ±		PRODUCT SPEC	
MATERIAL: △2		FINISH: △3	RESTRICTED TO
WEIGHT		SIZE: CAGE CODE DRAWING NO	SCALE: 8:1
CUSTOMER DRAWING		APPROVAL: A   00779   1645547	SHEET 1 OF 1