

4

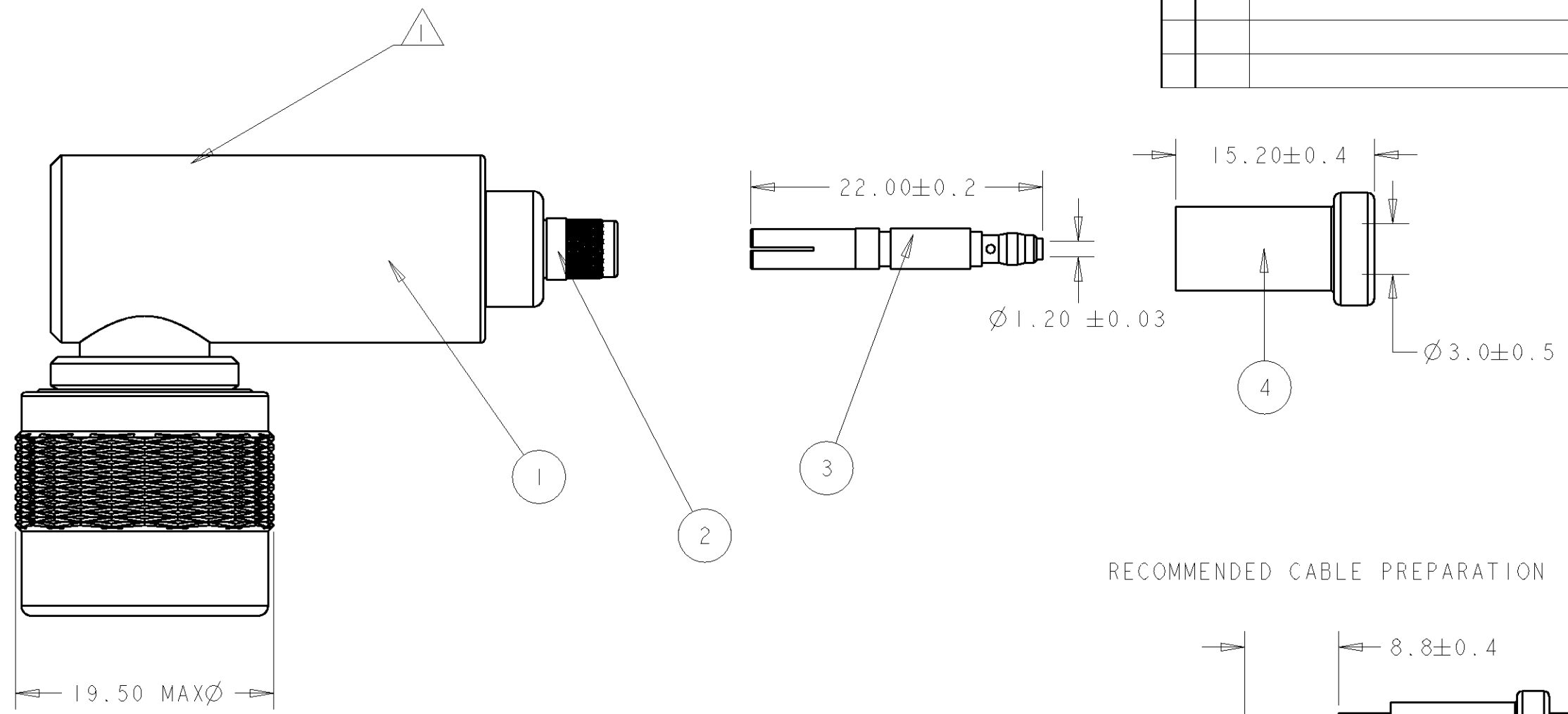
3

2

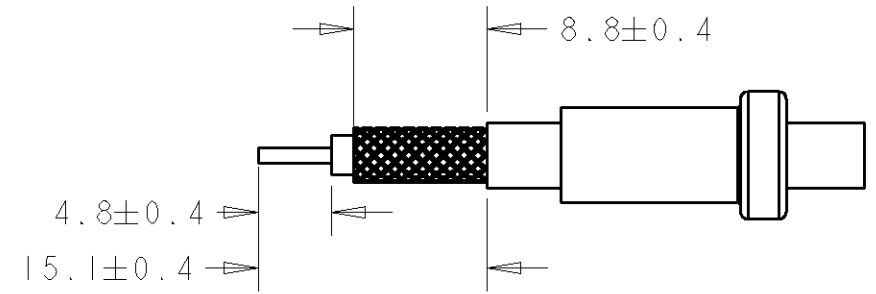
1

THIS DRAWING IS UNPUBLISHED. RELEASED FOR PUBLICATION 20  
© COPYRIGHT 20 BY TYCO ELECTRONICS CORPORATION. ALL RIGHTS RESERVED.

LOC	DIST	REVISIONS			
P	LTR	DESCRIPTION	DATE	DWN	APVD
B	E	A	ECR-08-007302	20/03/08	MJG JA



RECOMMENDED CABLE PREPARATION



- NOTES:
- 1 PART NO "134300-1 & DATE CODE ON INDICATED SURFACE
  - 2. FOR USE ON CABLE FILECA F1703/4
  - 3. CRIMP WITH HAND TOOL 220045-2
  - 4. PRODUCT WEIGHT APPROX 57g

		1	134002-1	FERRULE ASSY	4
		1	132411-2	CONTACT ASSY	3
		1	225592-1	SEAL	2
		1	1838880-1	COAX ASSY RIGHT ANGLE	1
132391		-1	PART NO	DESCRIPTION	ITEM

<small>THIS DRAWING IS A CONTROLLED DOCUMENT FOR TYCO ELECTRONICS CORPORATION IT IS SUBJECT TO CHANGE AND THE CONTROLLING ENGINEERING ORGANIZATION SHOULD BE CONTACTED FOR THE LATEST REVISION.</small>		DWN M.GREENER 11FEB2008 CHK J.AMBROSE 11FEB2008 APVD J.AMBROSE 11FEB2008		Tyco Electronics UK Ltd. Bideford, North Devon, EX39 4HE	
DIMENSIONS: mm 		TOLERANCES UNLESS OTHERWISE SPECIFIED: 0 PLC ±- 1 PLC ±0.4 2 PLC ±0.4 3 PLC ±0.4 4 PLC ±- ANGLES ±0.5		NAME RIGHT ANGLE PLUG WEATHERPROOF SERIES C. 50Ω FILECA F1703/4	
MATERIAL FINISH -		PRODUCT SPEC 108-12005 APPLICATION SPEC -		SIZE A3 CAGE CODE 00779 DRAWING NO C-134300 RESTRICTED TO -	
		WEIGHT 57g		SCALE 2:1 SHEET 1 OF 1 REV A	
CUSTOMER DRAWING					