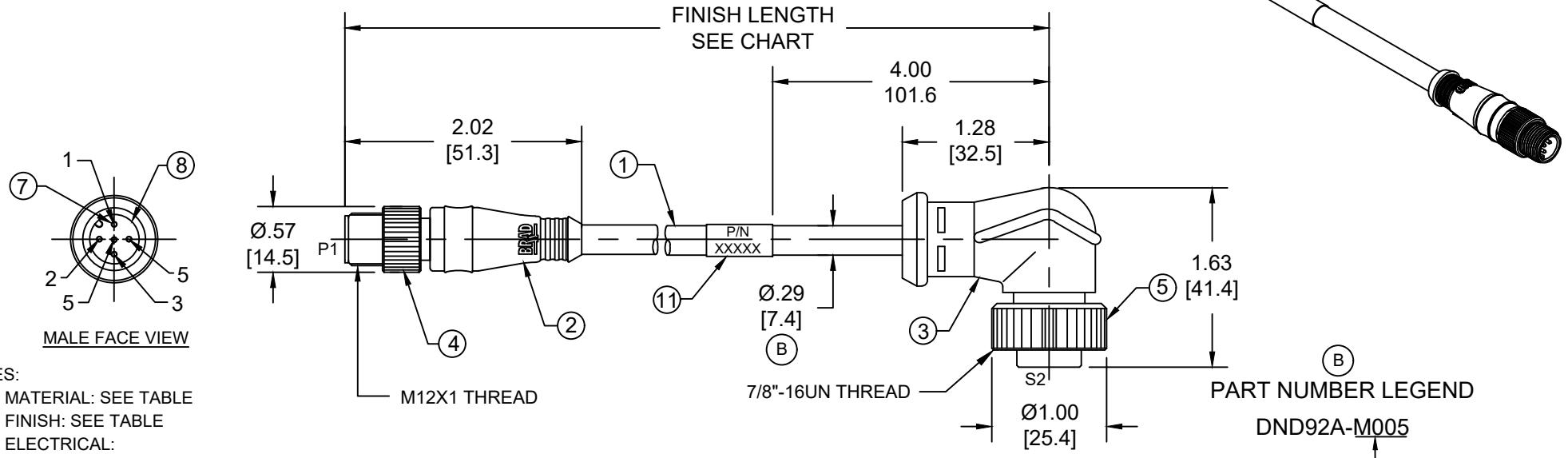
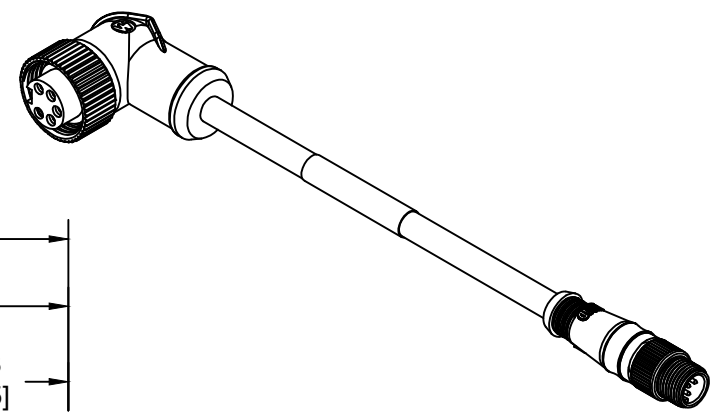


| SAP P/N # | ENGINEERING P/N | FINISHED LENGTH |
|------------|-----------------|-------------------|
| 1300390208 | DND92A-M005 | 0.5M [1FT 8 IN] |
| 1300390211 | DND92A-M020 | 2M [6FT 7 IN] |
| 1300390213 | DND92A-M050 | 5M [16FT 5 IN] |

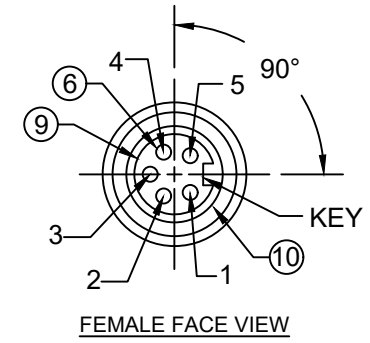


- NOTES:
- MATERIAL: SEE TABLE
 - FINISH: SEE TABLE
 - ELECTRICAL:
VOLTAGE: 250V
CURRENT: 4A
 - TEMP RATING: -20°C TO +80°C
 - PROTECTION: IP67 (WHEN MATED)
 - UL LISTED FILE: E152210 (B)
CSA CERTIFIED FILE: LR6837 (B)
 - ALL DIMENSIONS ARE FOR REFERENCE UNLESS TOLERANCED OR NOTED OTHERWISE

PART NUMBER LEGEND
DND92A-M005
 LENGTH:
 M005= 0.5 METER
 M010= 1 METER
 M100= 10 METER

| P1 | | S2 |
|----|-------|----|
| 1 | DRAIN | 1 |
| 2 | RED | 2 |
| 3 | BLACK | 3 |
| 4 | WHITE | 4 |
| 5 | BLUE | 5 |

WIRING DIAGRAM



FEMALE FACE VIEW

| 11 | WRAP LABEL | VINYL | BLACK/YELLOW |
|------|----------------------|---------------|------------------|
| 10 | FRICTION RING | NYLON | WHITE |
| 9 | FEMALE INSERT(MINI) | TPE | BLACK |
| 8 | MALE INSERT(MICRO) | NYLON | BLACK |
| 7 | PIN CONTACT | COPPER ALLOY | GOLD OVER NICKEL |
| 6 | SOCKET CONTACT | COPPER ALLOY | GOLD OVER NICKEL |
| 5 | COUPLING NUT(MINI) | ZINC DIE-CAST | BLACK E-COAT |
| 4 | COUPLING NUT(MICRO) | ZINC DIE-CAST | BLACK E-COAT |
| 3 | OVERMOLD(MINI) | TPC | GRAY |
| 2 | OVERMOLD(MICRO) | TPC | GRAY |
| 1 | DEVICENET DROP CABLE | PVC JACKET | GRAY |
| ITEM | COMPONENT | MATERIAL | FINISH |

| | | | | | | | | | | | | | | | | | | | | | |
|--|--|--|--|--|-------|--|--|--|--|---|--|---------|--|-----------|--|-----------------|--|----------|--|--------------|--|
| FUNCTIONAL SYMBOLS | | | | | | | | | | THIS DRAWING CONTAINS INFORMATION THAT IS PROPRIETARY TO MOLEX ELECTRONIC TECHNOLOGIES, LLC AND SHOULD NOT BE USED WITHOUT WRITTEN PERMISSION | | | | | | | | | | | |
| DIMENSION UNITS | | | | | SCALE | | | | | CURRENT REV DESC: ITEM-2, 3 & 9 WERE PVC. ADDED ITEM-10, TOL CHART, UL, CSA, CABLE DIA AND PN LEGEND. MODIFIED PN CHART | | | | | | | | | | | |
| INCH/MM | | | | | NTS | | | | | | | | | | | | | | | | |
| GENERAL TOLERANCES (UNLESS SPECIFIED) | | | | | | | | | | EC NO: 720800 | | | | | | | | | | | |
| | | | | | | | | | | DRWN: ABENJAMINLW 2022/07/28 | | | | | | | | | | | |
| | | | | | | | | | | CHK'D: RSTONE 2022/09/09 | | | | | | | | | | | |
| | | | | | | | | | | APPR: BWOODMAN 2022/09/09 | | | | | | | | | | | |
| DIVISIONAL SYMBOLS | | | | | | | | | | INITIAL REVISION: | | | | | | | | | | | |
| 4 PLACES ±---- | | | | | ±---- | | | | | DRWN: TWOLDEGE 2010/01/11 | | | | | | | | | | | |
| 3 PLACES ±---- | | | | | ±---- | | | | | APPR: JFMURPHY 2010/01/20 | | | | | | | | | | | |
| 2 PLACES ±---- | | | | | ±---- | | | | | DOCUMENT NUMBER | | | | | | | | | | | |
| 1 PLACE ±---- | | | | | ±---- | | | | | SD-130039-024 | | | | | | | | | | | |
| 0 PLACES ±---- | | | | | ±---- | | | | | DOC TYPE/DOC PART/REVISION | | | | | | | | | | | |
| ANGULAR TOL ± ---- ° | | | | | | | | | | PSD 001 B | | | | | | | | | | | |
| DRAFT WHERE APPLICABLE MUST REMAIN WITHIN DIMENSIONS | | | | | | | | | | THIRD ANGLE PROJECTION | | DRAWING | | SERIES | | MATERIAL NUMBER | | CUSTOMER | | SHEET NUMBER | |
| | | | | | | | | | | A-SIZE | | 130039 | | SEE CHART | | GENERAL MARKET | | 1 OF 1 | | | |

| | | | | |
|-----------------|----|--------------|------------|----------|
| DOCUMENT STATUS | P1 | RELEASE DATE | 2022/09/09 | 18:08:09 |
|-----------------|----|--------------|------------|----------|