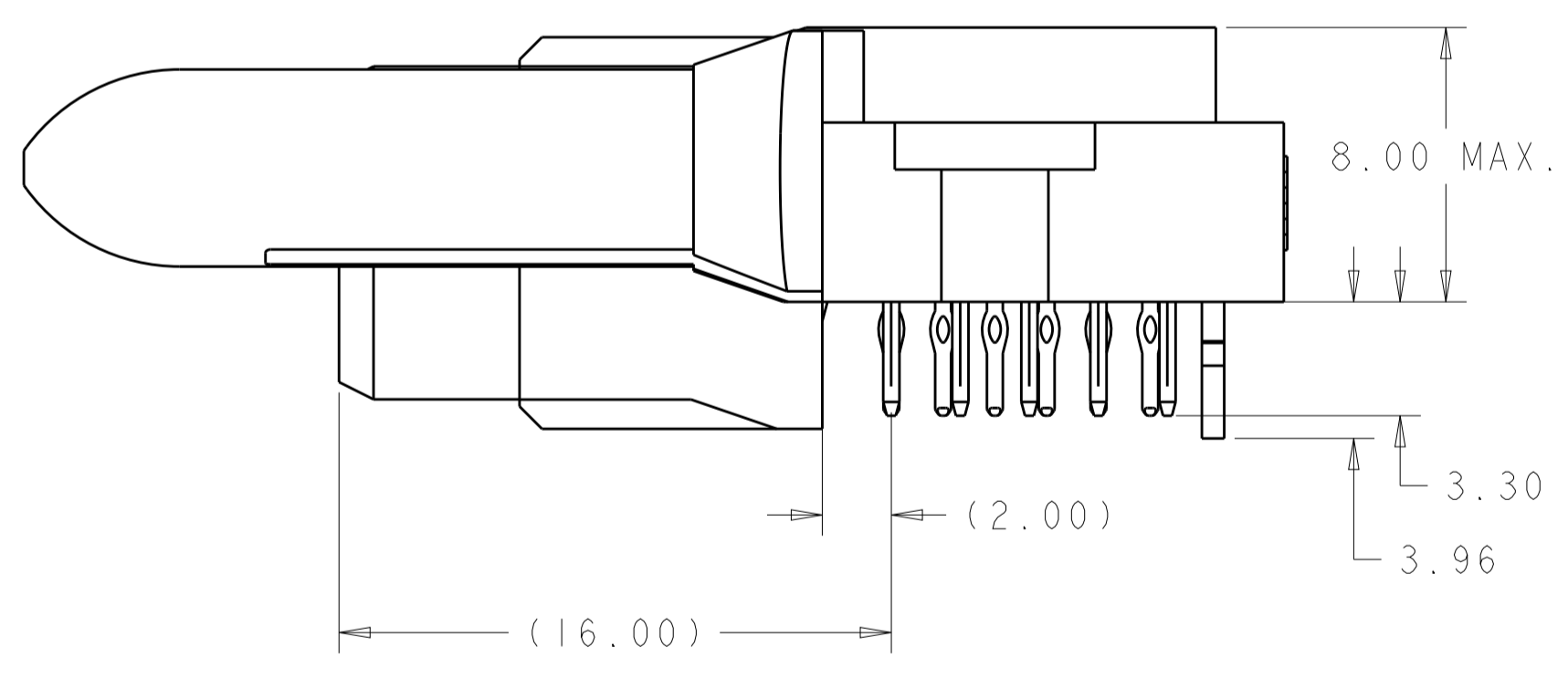
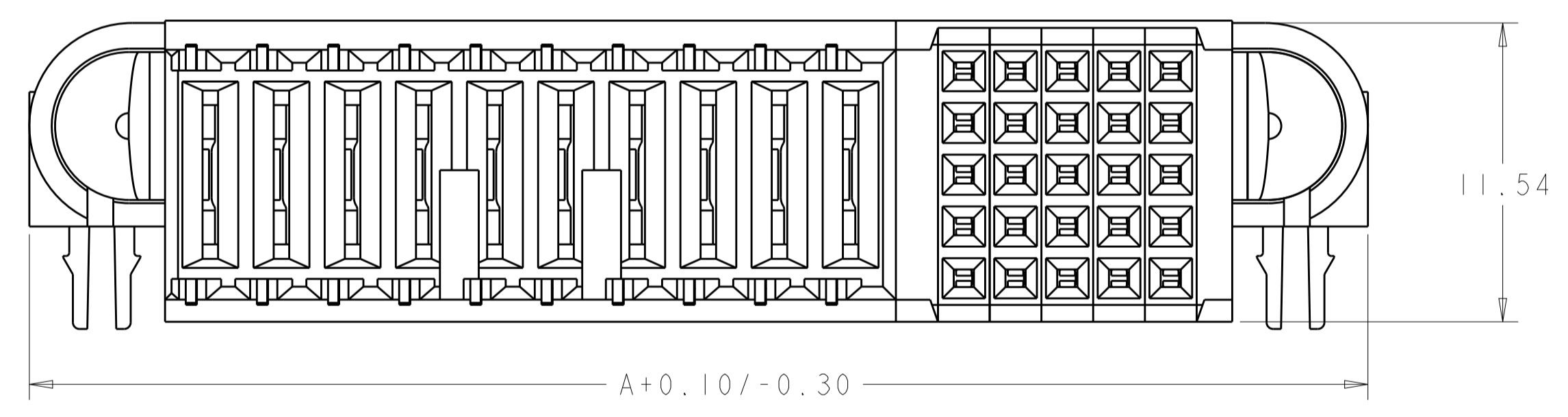
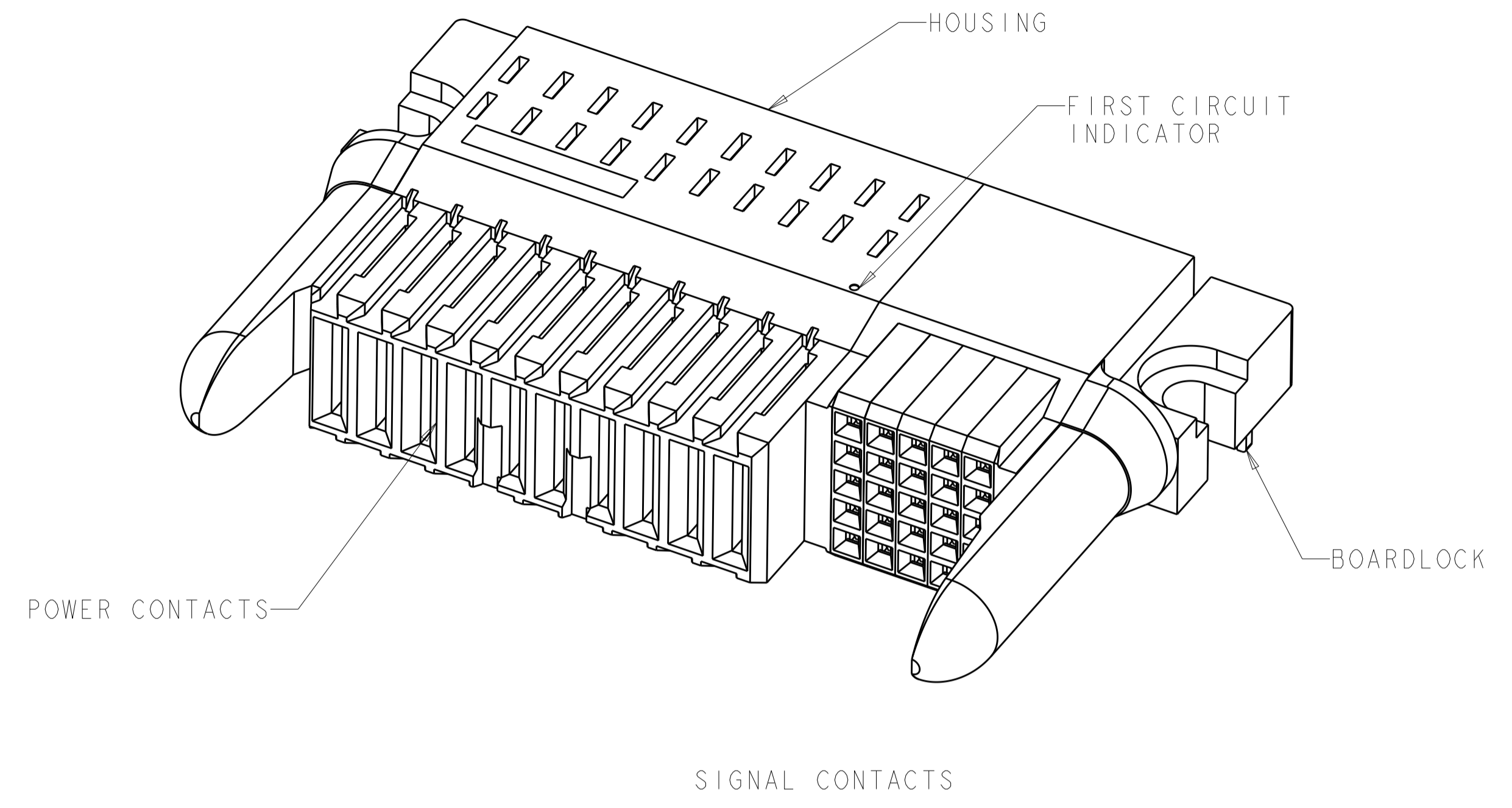
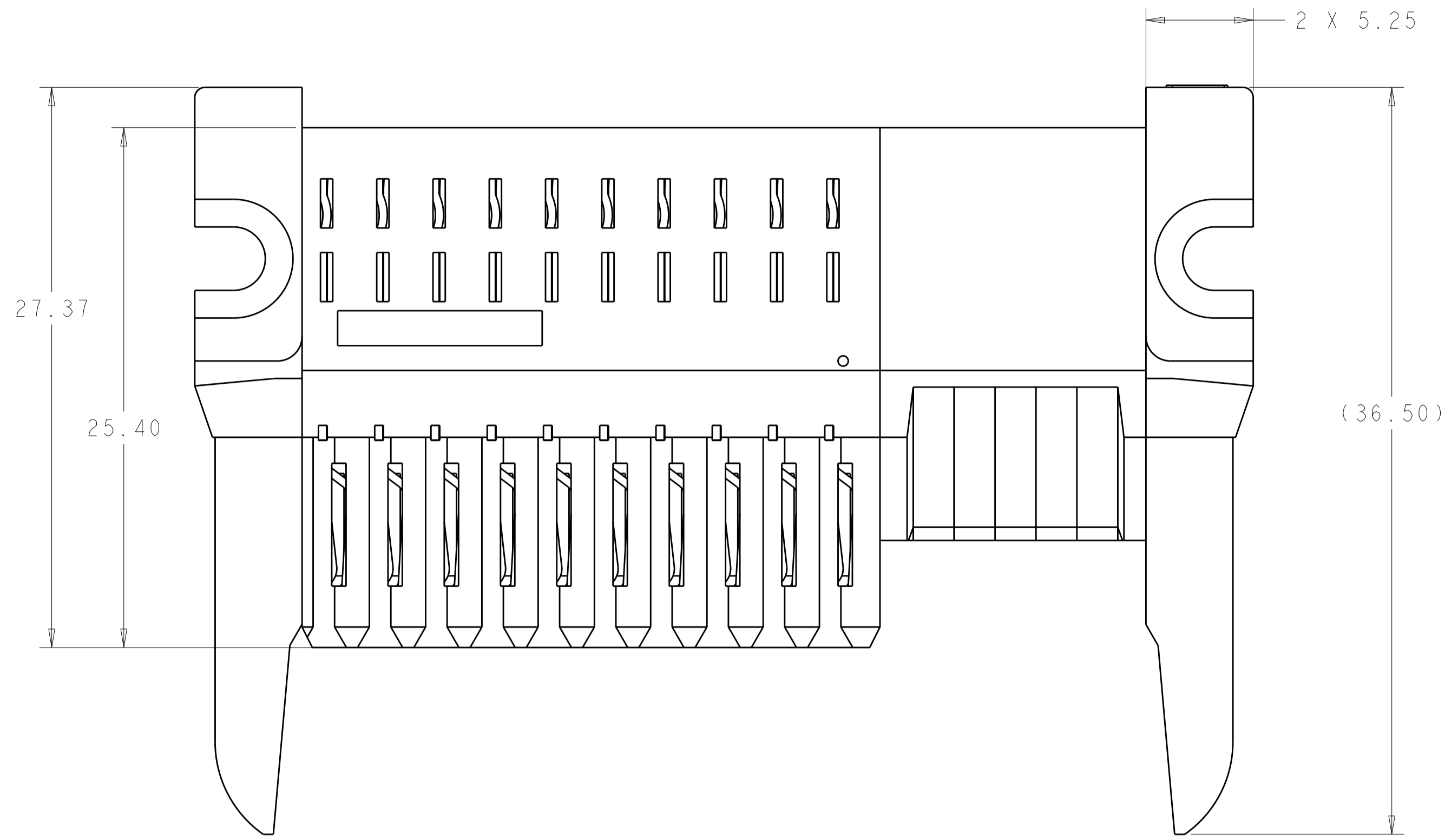


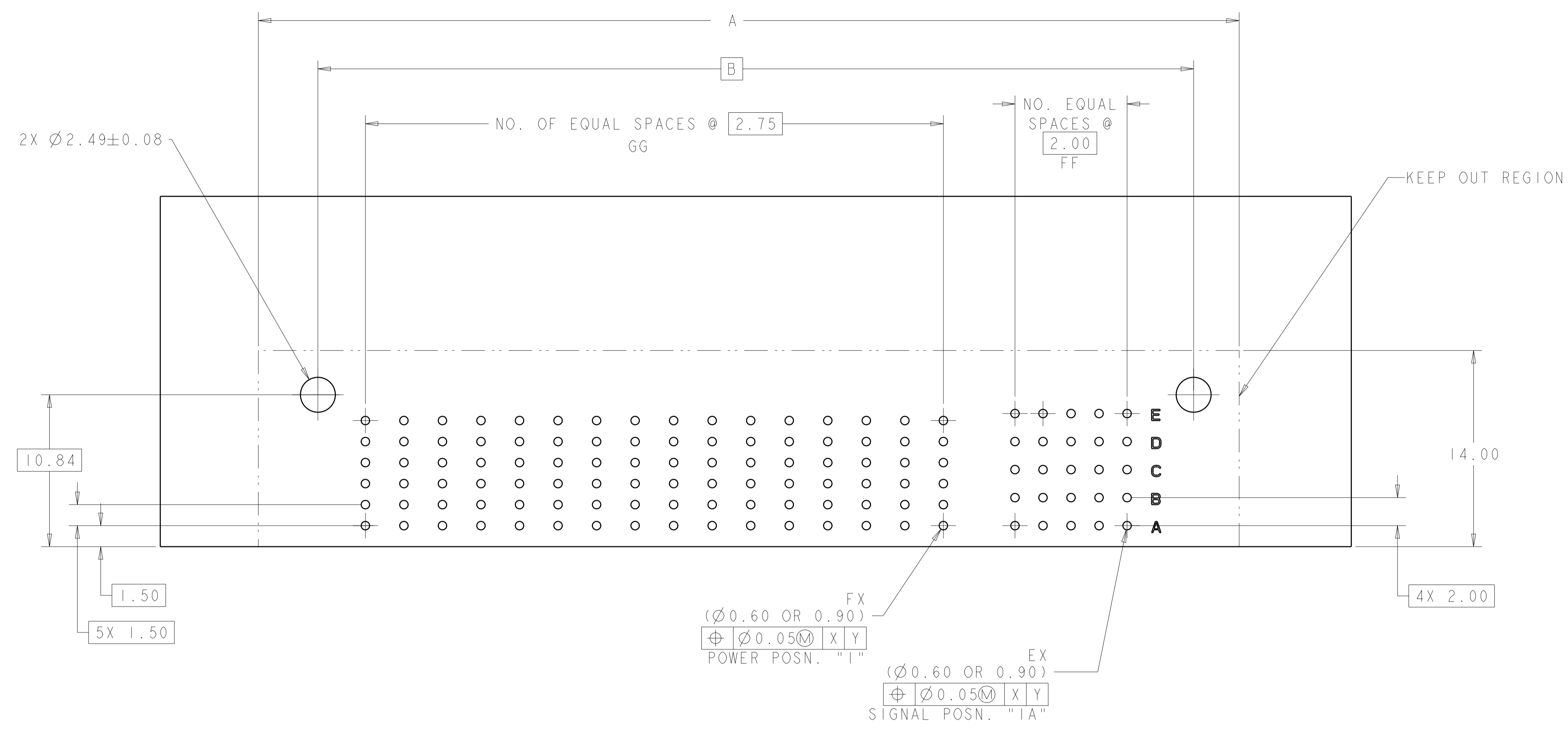
LOC		DIST		REVISIONS			
P	LTN	DESCRIPTION	DATE	DWN	APVD		
1		PRELIMINARY	19OCT2007	GIP	NLR		
2		FIRST RELEASE	19DEC2011	OL	SZ		
4		ADD 6--2	21NOV2013	OL	SZ		



120	35	19	6	79.44	83.24	35S X 20P	6-1926731-2
96	25	15	4	64.44	68.24	25S X 16P	4-1926731-6
60	25	9	4	47.94	51.74	25S X 10P	2-1926731-5
48	4	7	4	42.44	46.24	25S X 8P	1-1926731-8
QTY F	QTY E	NO. SPACES D	NO. SPACES C	B	A	NUMBER OF POSITIONS	PRODUCT NUMBER

<small>THIS DRAWING IS UNPUBLISHED. RELEASED FOR PUBLICATION. IT IS THE PROPERTY OF TYCO ELECTRONICS CORPORATION AND IS TO BE USED ONLY FOR THE PURPOSES AND ORGANIZATION SPECIFIED HEREIN. IT IS TO BE RETURNED TO TYCO ELECTRONICS CORPORATION UPON REQUEST.</small>		DWN: G. PETERS CHK: N. REESER APVD: N. REESER	Tyco Electronics Harrisburg, PA 17105-3608
DIMENSIONS: mm 	TOLERANCES UNLESS OTHERWISE SPECIFIED: 0 PLC ± 1 PLC ±.13 2 PLC ±.13 3 PLC ± 4 PLC ± ANGLES ±	NAME: ASSEMBLY, R/A RECEPTACLE, SIGNAL/POWER, PASSIVE GUIDE, W/BOARDLOCK, MINIPAK HDL APPLICATION SPEC: 6 SIZE: A CAGE CODE: 00779 DRAWING NO: 1926731	RESTRICTED TO: CUSTOMER DRAWING SCALE: 1:1 SHEET: 1 OF 2 REV: 4

LOC	DIST	REVISIONS					
GP	00	P	LTN	DESCRIPTION	DATE	DWN	APVD
-	-	-	-	SEE SHEET 1	-	-	-



RECOMMENDED PCB LAYOUT
 (AS VIEWED FROM CONNECTOR SIDE)

- △ HOUSING: POLYESTER
 POWER CONTACT - HIGH CURRENT COPPER ALLOY
 SIGNAL CONTACT - PHOSPOR BRONZE
- △ POWER CONTACT MATING AREA: 1.27um MIN Au PLATE COMPLIANT PCB TAIL AREA,
 0.5um MIN Sn PLATE ALL OVER, 1.27um MIN Ni UNDERPLATE
 SIGNAL CONTACT MATING AREA: 0.76um Au PLATE COMPLIANT PCB TAIL AREA,
 0.5um MIN Sn PLATE ALL OVER 1.27um Ni UNDERPLATE.
- 3. ITEMS PROVIDED TO THIS DRAWING TO BE PERMANENTLY IDENTIFIED WITH PART NUMBER AND DATE CODE.
- 4. SEE CUSTOMER DRAWING 1926730 FOR MATING PLUG CONNECTOR.
- △ SEE DRAWING 1927633 FOR CONNECTOR W/O BOARD LOCKS
- △ REFERENCE APPLICATION SPEC. 114-1103 FOR RECOMMENDED PLATED THRU HOLE DIAMETER AND PLATING.
- 7. THIS PRODUCT HAS NOT COMPLETED VALIDATION TESTING.

THIS PRINT IS
PRELIMINARY
 UNQUALIFIED PRODUCT
 CONTACT PRODUCT ENGINEERING
 BEFORE USING THIS PRINT

<small>THIS DRAWING IS UNPUBLISHED. RELEASED FOR PUBLICATION BY TYCO ELECTRONICS CORPORATION. ALL RIGHTS RESERVED.</small> <small>THIS IS THE PROPERTY OF TYCO ELECTRONICS CORPORATION. IT IS TO BE USED ONLY FOR THE PURPOSES AND IN THE MANNER SPECIFIED BY THE CUSTOMER. IT IS TO BE RETURNED TO TYCO ELECTRONICS CORPORATION UPON THE COMPLETION OF THE PROJECT.</small>		DWN: G. PETERS 19OCT2007 CHK: N. REESER APVD: N. REESER	Tyco Electronics Harrisburg, PA 17105-3608
DIMENSIONS: mm 	TOLERANCES UNLESS OTHERWISE SPECIFIED: 0 PLC ± 1 PLC ±0.13 2 PLC ± 3 PLC ± 4 PLC ± ANGLES ± FINISH	NAME: ASSEMBLY, R/A RECEPTACLE, SIGNAL/POWER, PASSIVE GUIDE, W/BOARDLOCK, MINIPAK HDL PRODUCT SPEC: APPLICATION SPEC: SIZE: A 00779 C=1926731 CAGE CODE: DRAWING NO: WEIGHT:	RESTRICTED TO: CUSTOMER DRAWING SCALE: 1:1 SHEET: 2 OF 2 REV: 4