

10 9 8 7 6 5 4 3 2 1

F

E

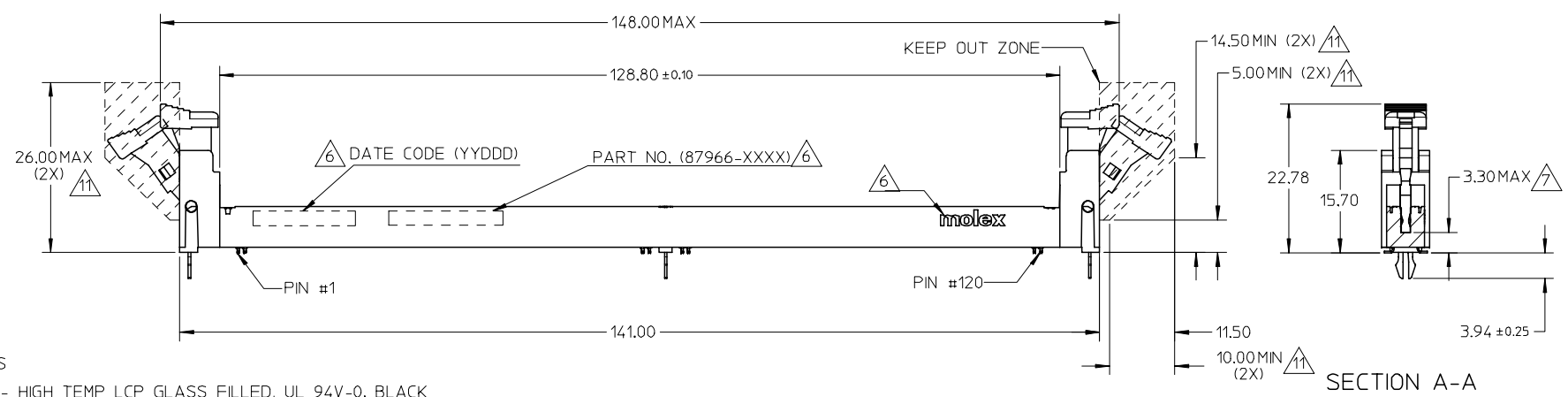
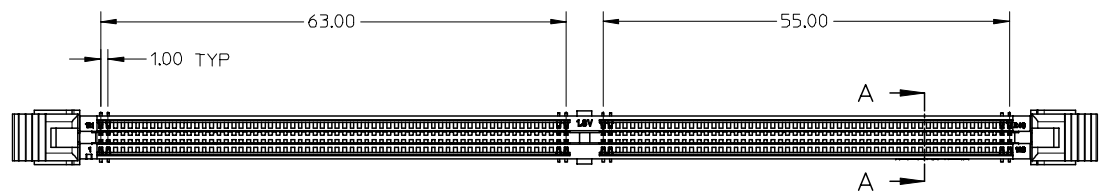
D

C

B

A

9 8 7 6 5 4 3 2 1



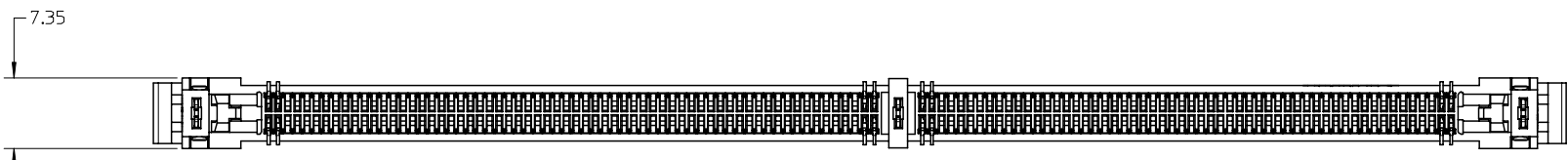
NOTES:

1. MATERIALS
HOUSING - HIGH TEMP LCP GLASS FILLED, UL 94V-0, BLACK
EJECTORS - HIGH TEMP NYLON GLASS FILLED, UL 94V-0, BLACK
TERMINALS - COPPER ALLOY
2. PLATING OPTION - PLS REFER TO SHEET 5.
3. CARD SLOT ACCEPTS 1.27±0.10MM MODULE THICKNESS. (MEASURED OVER PC PADS)
4. RECOMMENDED MODULE LAYOUT SHALL BE AS PER JEDEC MO-237. PLS REFER TO SHEET 3.
5. PRODUCT IS PACKED INTO TRAYS.
6. MOLEX LOGO, DATE CODE & PART NO. INDICATED ON HOUSING.
7. DIMM MODULE SEATING PLANE FROM TOP OF PCB.
8. COPLANARITY FOR SOLDER TAILS SHALL NOT EXCEED 0.20MM.
9. REFER TO PRODUCT SPEC. PS-87966-001 FOR PERFORMANCE SPECIFICATIONS.
10. THE KEEP OUT AREA IS THE AREA WHERE THE CONNECTOR IS MOUNTED ONTO THE PCB, WHICH DOES NOT INCLUDE THE LATCH.
11. KEEP OUT ZONE AS PER JEDEC SO-001.
12. CONTACT MOLEX FOR AVAILABILITY OF PRODUCT OPTIONS.

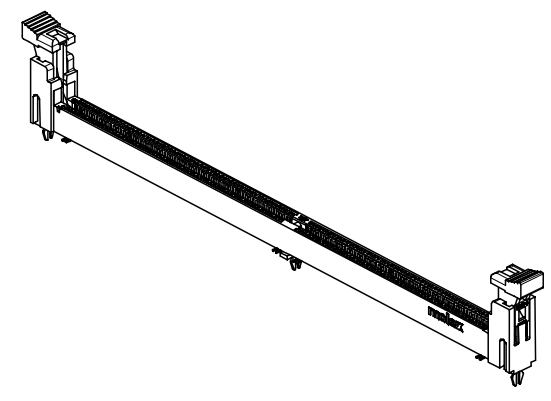
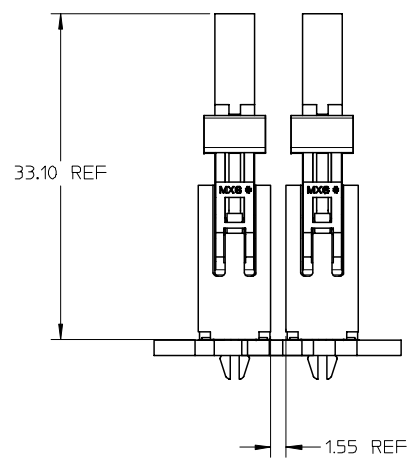
REVISED PAD SIZE EC NO: S2007-0667 DRWN: CCTEH CHKD: SRAMESH APPR: SHLENI	DESCRIPTION 2007/02/08 2007/02/08 2007/02/09	QUALITY SYMBOLS	GENERAL TOLERANCES (UNLESS SPECIFIED)	DIMENSION STYLE MM ONLY	SCALE NTS	DESIGN UNITS METRIC	THIRD ANGLE PROJECTION	
		▽=0 ◻=0	4 PLACES ± --- ± --- 3 PLACES ± --- ± --- 2 PLACES ± 0.10 ± --- 1 PLACE ± --- ± --- ANGULAR ± 1 °	DRAWN BY CCTEH CHECKED BY SRAMESH APPROVED BY GGLEE	DATE 2005/10/19 DATE 2005/11/21 DATE 2005/11/21	TITLE DDR2 DIMM, 1.00MM PITCH 240 CKTS, SMT		
			DRAFT WHERE APPLICABLE MUST REMAIN WITHIN DIMENSIONS	SEE TABLE	MOLEX INCORPORATED DOCUMENT NO. SD-87966-002	SHEET NO. 1 OF 5		
		SIZE A3	THIS DRAWING CONTAINS INFORMATION THAT IS PROPRIETARY TO MOLEX INCORPORATED AND SHOULD NOT BE USED WITHOUT WRITTEN PERMISSION					

10 9 8 7 6 5 4 3 2 1

F



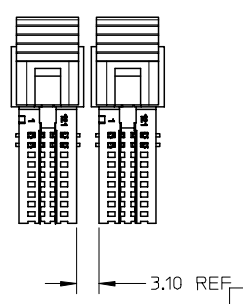
E



D

C

B



A

REVISED PAD SIZE
 EC NO: S2007-0667
 DRWN: CCTEH
 CHKD: SRRAMESH
 APPR: SHLENI

DESCRIPTION
 2007/02/08
 2007/02/08
 2007/02/09

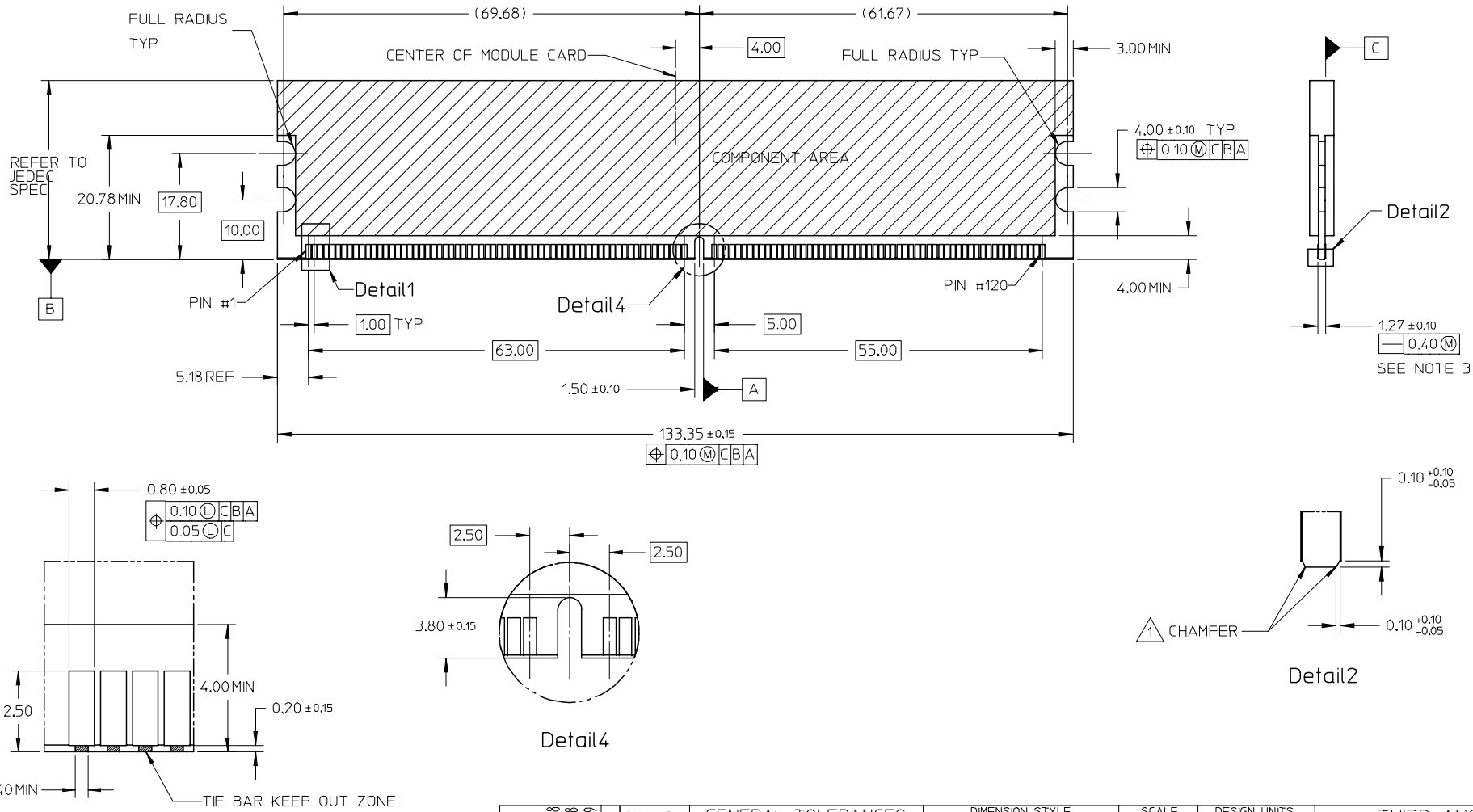
QUALITY SYMBOLS	GENERAL TOLERANCES (UNLESS SPECIFIED)
▽=0	mm INCH
▽C=0	4 PLACES ± --- ± ---
	3 PLACES ± --- ± ---
	2 PLACES ± 0.10 ± ---
	1 PLACE ± --- ± ---
	ANGULAR ± 1 °
	DRAFT WHERE APPLICABLE MUST REMAIN WITHIN DIMENSIONS

DIMENSION STYLE		SCALE	DESIGN UNITS	THIRD ANGLE PROJECTION
MM ONLY		NTS	METRIC	
DRAWN BY	DATE	TITLE	DDR2 DIMM, 1.00MM PITCH 240 CKTS, SMT	
CCTEH	2005/10/19			
CHECKED BY	DATE	MOLEX INCORPORATED		
SRRAMESH	2005/11/21			
APPROVED BY	DATE	SD-87966-002		
GGLEE	2005/11/21			
MATERIAL NO.	DOCUMENT NO.	SHEET NO.		
	SEE TABLE	2 OF 5		

SIZE A3
 THIS DRAWING CONTAINS INFORMATION THAT IS PROPRIETARY TO MOLEX INCORPORATED AND SHOULD NOT BE USED WITHOUT WRITTEN PERMISSION

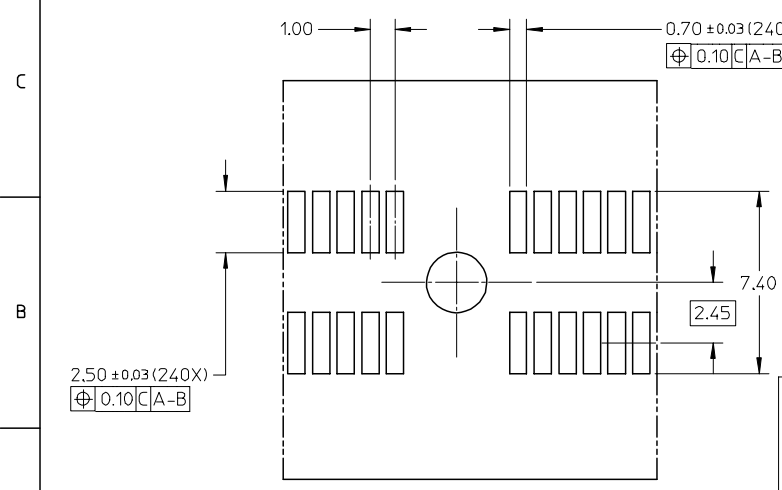
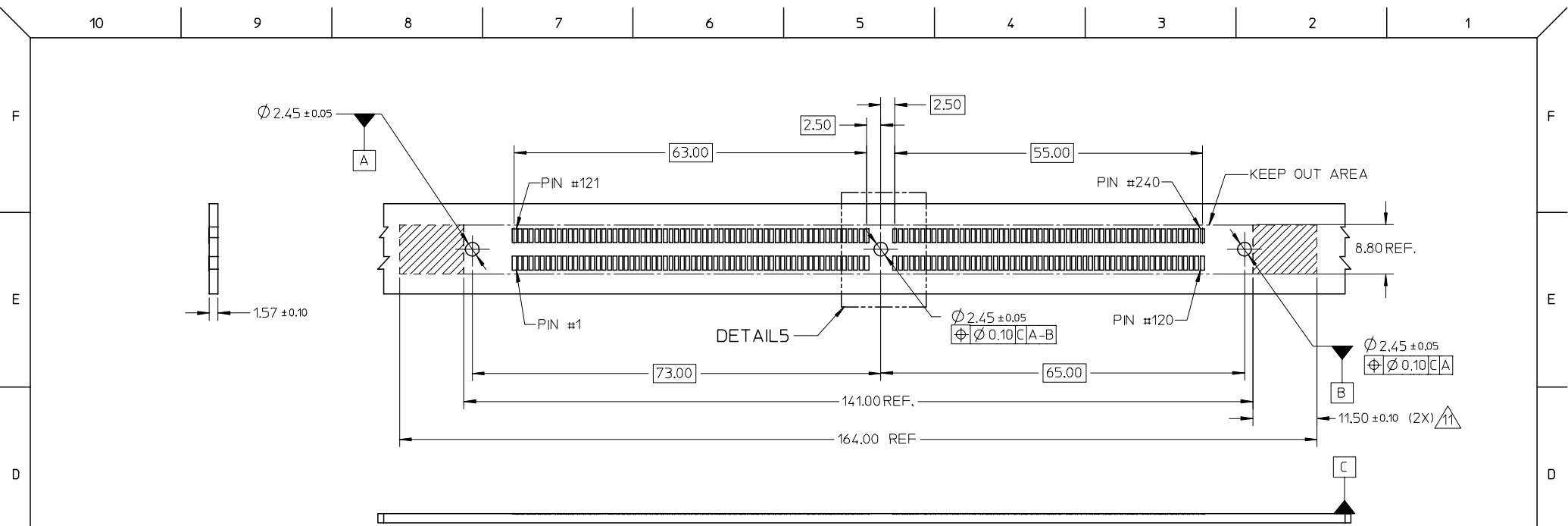
9 8 7 6 5 4 3 2 1

RECOMMENDED MODULE LAYOUT



NOTES:
 1. MODULE CARD USED IN PRODUCT TESTING ARE CHAMFER.

REVISED PAD SIZE EC NO: S2007-0667 DRWN: CCTEH CHKD: SRAMESH APPR: SHLENI	2007/02/08 2007/02/08 2007/02/09	QUALITY SYMBOLS ▽=0 ◻=0	GENERAL TOLERANCES (UNLESS SPECIFIED) mm INCH	DIMENSION STYLE MM ONLY	SCALE NTS	DESIGN UNITS METRIC	THIRD ANGLE PROJECTION
	4 PLACES ± --- ± ---	DRAWN BY CCTEH DATE 2005/10/19	DRAFT WHERE APPLICABLE MUST REMAIN WITHIN DIMENSIONS	SEE TABLE	MOLEX INCORPORATED	SD-87966-002	SHEET NO. 3 OF 5
	3 PLACES ± --- ± ---	CHECKED BY SRAMESH DATE 2005/11/21					
	2 PLACES ± 0.10 ± ---	APPROVED BY GGLEE DATE 2005/11/21	MATERIAL NO.	DOCUMENT NO.	TITLE DDR2 DIMM, 100MM PITCH 240 CKTS, SMT		
1 PLACE ± --- ± ---	ANGULAR ± 1 °	SIZE A3	THIS DRAWING CONTAINS INFORMATION THAT IS PROPRIETARY TO MOLEX INCORPORATED AND SHOULD NOT BE USED WITHOUT WRITTEN PERMISSION				



RECOMMENDED STENCIL THICKNESS = 150µM.

REVISED PAD SIZE EC NO: S2007-0667 DRWN: CCTEH CHKD: SRRAMESH APPR: SILENI	2007/02/08 2007/02/08 2007/02/09	QUALITY SYMBOLS ▽=0 ▽=0	GENERAL TOLERANCES (UNLESS SPECIFIED)		DIMENSION STYLE MM ONLY		SCALE NTS	DESIGN UNITS METRIC	THIRD ANGLE PROJECTION			
					DRAWN BY CCTEH		DATE 2005/10/19	TITLE DDR2 DIMM, 100MM PITCH 240 CKTS, SMT				
					CHECKED BY SRRAMESH		DATE 2005/11/21	MOLEX INCORPORATED				
					APPROVED BY GGLEE		DATE 2005/11/21					
4 PLACES ± --- ± --- 3 PLACES ± --- ± --- 2 PLACES ± 0.10 ± --- 1 PLACE ± --- ± --- ANGULAR ± 1 °		MATERIAL NO. SEE TABLE		DOCUMENT NO. SD-87966-002		SHEET NO. 4 OF 5						
DRAFT WHERE APPLICABLE MUST REMAIN WITHIN DIMENSIONS		SIZE 		THIS DRAWING CONTAINS INFORMATION THAT IS PROPRIETARY TO MOLEX INCORPORATED AND SHOULD NOT BE USED WITHOUT WRITTEN PERMISSION								

10 9 8 7 6 5 4 3 2 1

ASSEMBLY PART NO.	VOLTAGE KEY POS.	PLATING	LATCH COLOR	LUBRICATION
87966-0001	CENTRE 1.8V	0.76µM (30µ IN) MIN. GOLD ON CONTACT 2.54µM (100µ IN) MIN. TIN ON SOLDER TAILS 1.27µM (50µ IN) MIN. NICKEL UNDERPLATE	BLACK	NO
87966-0002				YES

F

E

D

C

B

A

F

E

D

C

B

A

REVISED PAD SIZE EC NO: S2007-0667 DRWN: CCTEH CHKD: SRRAMESH APPR: SILENI	2007/02/08 2007/02/08 2007/02/09	QUALITY SYMBOLS ▽=0 ◻=0	GENERAL TOLERANCES (UNLESS SPECIFIED)		DIMENSION STYLE MM ONLY		SCALE NTS	DESIGN UNITS METRIC	THIRD ANGLE PROJECTION		
			4 PLACES ± --- ± ---	mm INCH	DRAWN BY CCTEH	DATE 2005/10/19	TITLE DDR2 DIMM, 1.00MM PITCH 240 CKTS, SMT				
			3 PLACES ± --- ± ---		CHECKED BY SRRAMESH	DATE 2005/11/21					
			2 PLACES ± 0.10 ± ---		APPROVED BY GGLEE	DATE 2005/11/21	MOLEX INCORPORATED				
		1 PLACE ± --- ± ---		ANGULAR ± 1 °		MATERIAL NO.	DOCUMENT NO. SD-87966-002		SHEET NO. 5 OF 5		
B1		REV	DRAFT WHERE APPLICABLE MUST REMAIN WITHIN DIMENSIONS		SEE TABLE		THIS DRAWING CONTAINS INFORMATION THAT IS PROPRIETARY TO MOLEX INCORPORATED AND SHOULD NOT BE USED WITHOUT WRITTEN PERMISSION				

9 8 7 6 5 4 3 2 1