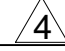
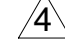
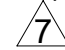
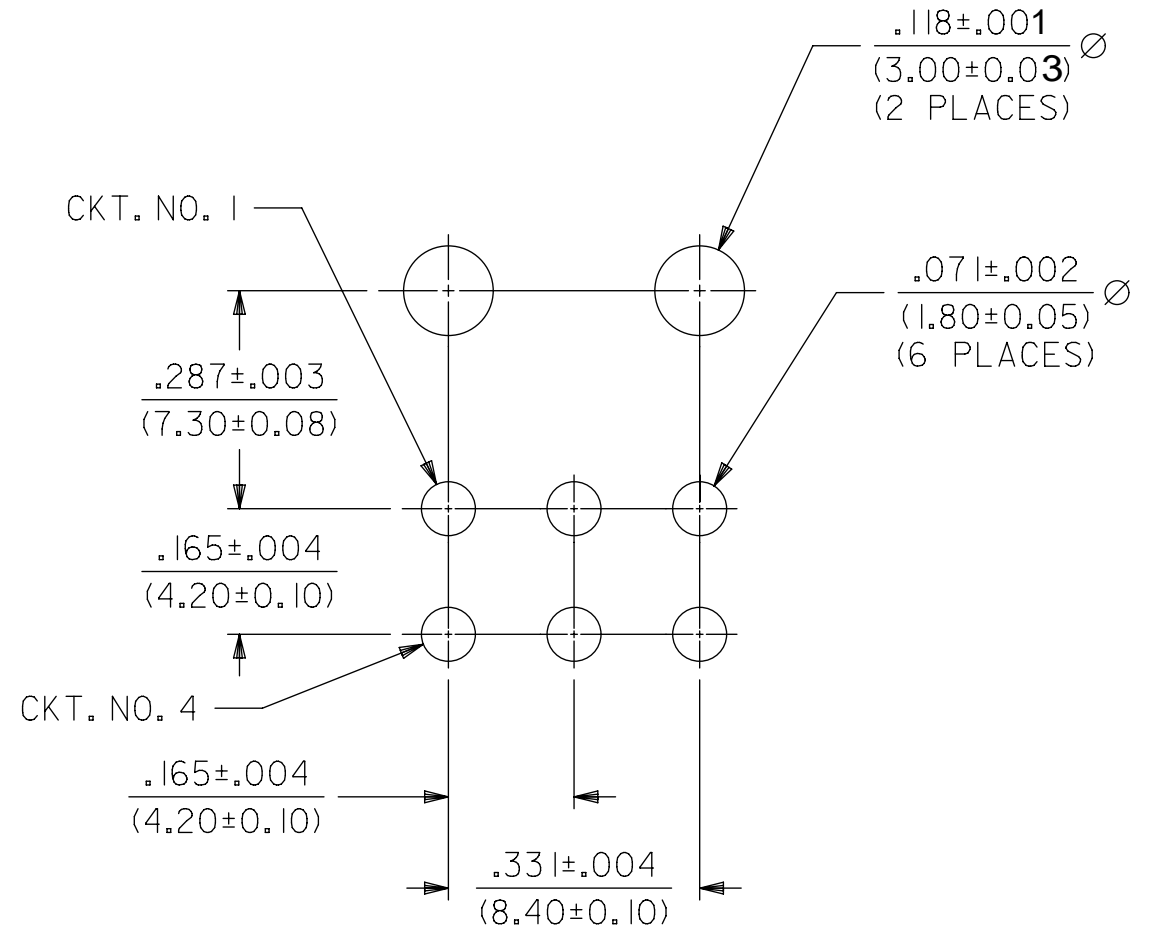
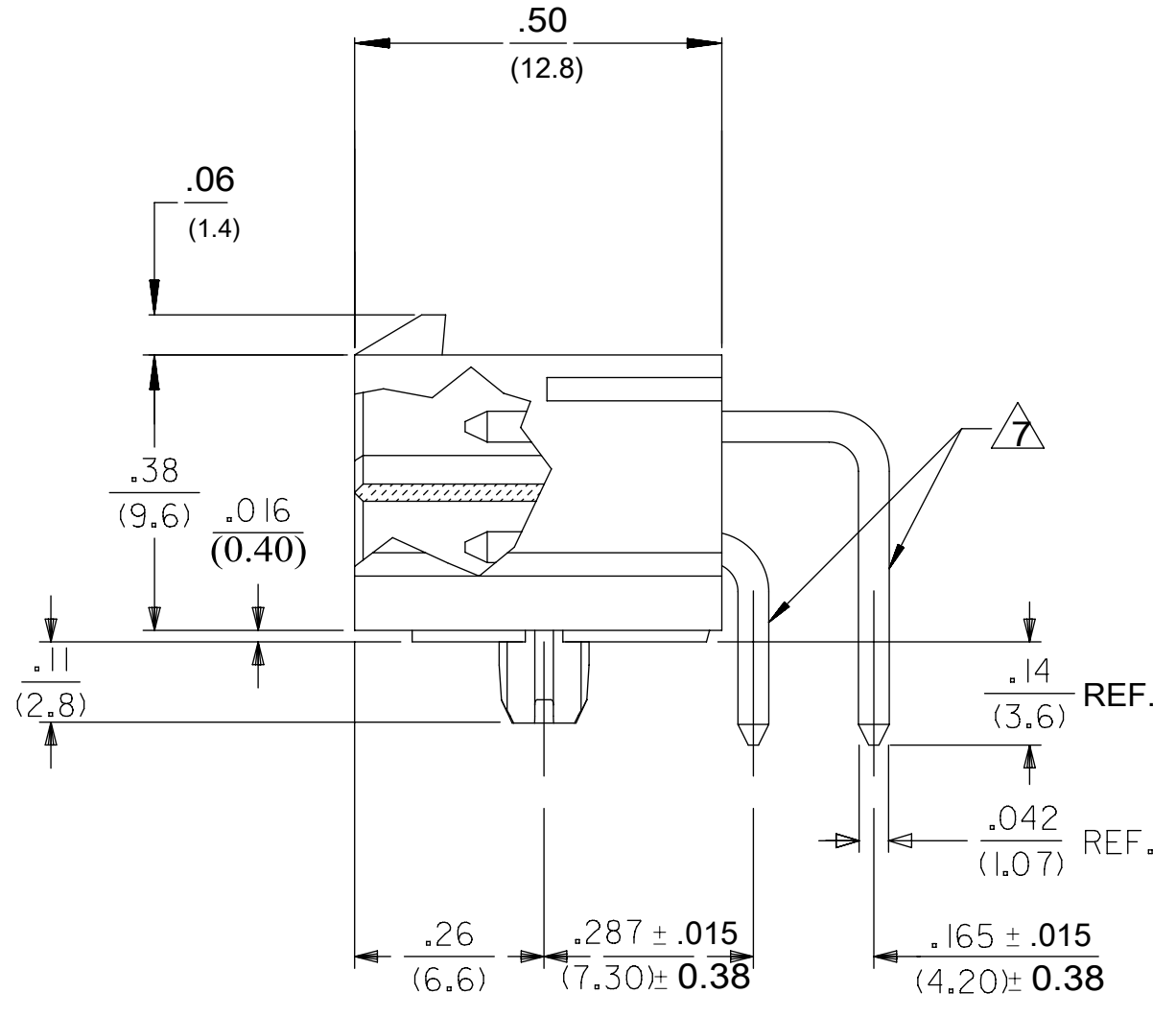
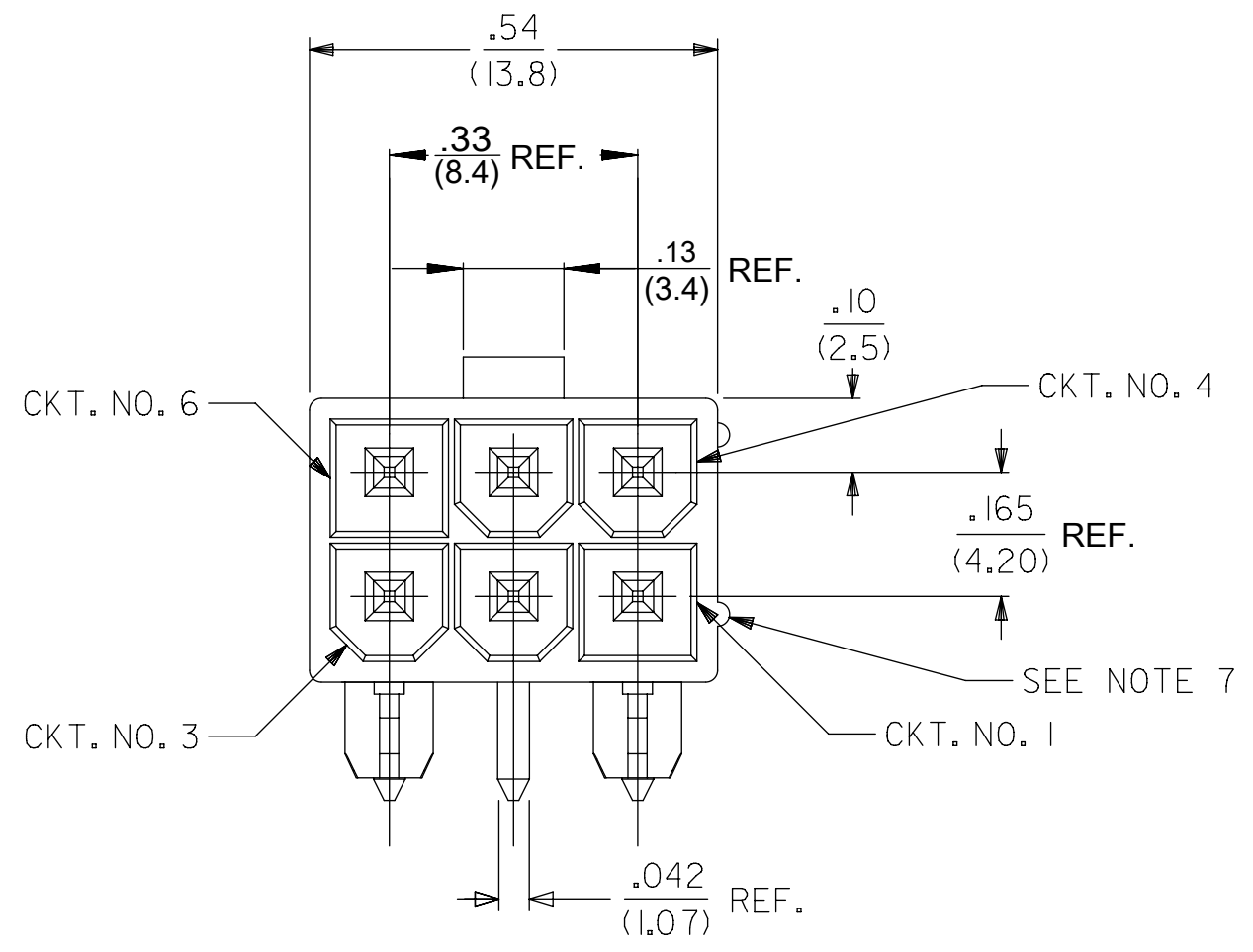
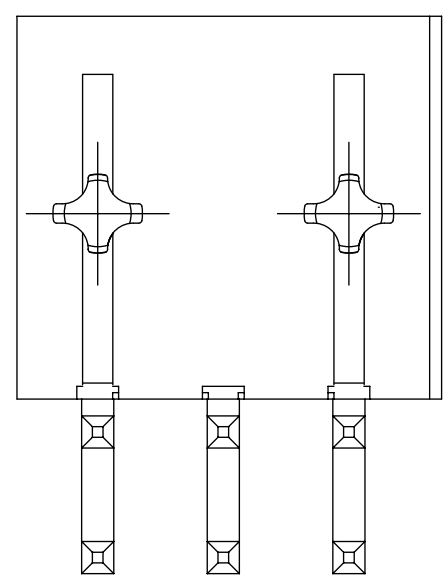



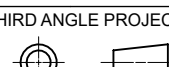
MATERIAL NO.	PACKAGING TYPE 
457320001	BULK
457320003	TRAY
457320004	TAPE & REEL

- NOTES:
- MATERIAL:
HOUSING: LCP, UL94 V-0, COLOR: BLACK
TERMINALS: BRASS
 - TERMINAL FINISH:
.000100/(.00254) MIN. MATTE TIN OVER
.000050/(.00127) MIN. NICKEL OVERALL.
 - PRODUCT SPECIFICATION: PS-45558-001
 -  PACKAGING SPECIFICATION:
BULK PER PK-5569-002
TRAY PER PK-5569-003
TAPE & REEL PER RPK-5569-004
 - PARTS MATE WITH MINI-FIT JR. RECEPTACLE 455590002.
 - FULL RIB INDICATES CIRCUIT NO. 1.
 -  FORMING MARKS ON PINS ARE ACCEPTABLE
 - PARTS ARE NOT TO BE MATED OR UNMATED WHILE CIRCUITS ARE LIVE.
 - PEGS ARE DESIGNED FOR A PRESS FIT INTO THE P.C. BOARD.
 - PARTS ARE NOT DESIGNED FOR CURRENT SHARING.
 - DISCOLORATION IN THE BANDOLIER CARRIER AREA OF THE PIN IS INHERENT TO THE PLATING PROCESS AND IS DUE TO THE MASKING EFFECT OF THE CARRIER. THIS DISCOLORATION IS IN A NON-FUNCTIONAL AREA OF THE PIN AND WILL NOT AFFECT THE PERFORMANCE OF THE HEADER ASSEMBLY.
 - PART CONFORMS TO CLASS "B" REQUIREMENTS OF COSMETIC SPECIFICATION PS-45499-002.



RECOMMENDED HOLE LAYOUT FOR
 .070/(1.78) MAX. THICK P.C. BOARD.
 VIEWED FROM COMPONENT SIDE OF BOARD.



THIS DRAWING CONTAINS INFORMATION THAT IS PROPRIETARY TO MOLEX ELECTRONIC TECHNOLOGIES, LLC AND SHOULD NOT BE USED WITHOUT WRITTEN PERMISSION									
DIMENSION UNITS INCH/MM		SCALE NTS		CURRENT REV DESC:					
GENERAL TOLERANCES (UNLESS SPECIFIED)				EC NO: 702477 DRWN: HPAN18 CHK'D: XQZHANG APPR: XQZHANG					
4 PLACES ±		±		2022/03/23				PRODUCT CUSTOMER DRAWING	
3 PLACES ±		± 0.01		2022/04/08					
2 PLACES ±		0.25 ±		2022/04/08				DOCUMENT NUMBER SD-45732-001	
1 PLACE ±		0.38 ±		INITIAL REVISION:					
0 PLACES ±		±		DRWN: GEP APPR: FSMITH				DOC TYPE PSD	
ANGULAR TOL ±		0.5 °		2005/03/12 2012/02/02				DOC PART 000	
DRAFT WHERE APPLICABLE MUST REMAIN WITHIN DIMENSIONS		THIRD ANGLE PROJECTION 		DRAWING C-SIZE		SERIES 45732		REVISION B5	
DOCUMENT STATUS P1		RELEASE DATE 2022/04/08 03:38:03		MATERIAL NUMBER SEE TABLE		CUSTOMER GENERAL MARKET		SHEET NUMBER 1 OF 1	