

SUMMARY

Wires

Low voltage 2



Image is for illustrative purpose only

Series 5B
Termination type Male solder
IP rating 50
AWG wire size 16.00 - 8.00
Cable Ø 15.60 - 17.50 mm
Status active
Matching parts [EGG.5B.302.CLL](#)

Download

[Request a quote](#)
[Eplan](#)
[Catalog](#)
[See video assembly instructions](#)

TECHNICAL DETAILS

Mechanics

Shell Style/Model FG*: Straight plug, cable collet
Keying 1 key (alpha=0, plug: male contacts, receptacle: female contacts)
Housing Material Brass (chrome plated [SAE AMS 2460]) shell and collet nut, nickel plated [SAE AMS QQ N 290] brass latch sleeve and mid pieces
Weight 306.67 g

Performance

Configuration 5B.302 : 2 Low Voltage
Insulator L: PEEK (UL 94 / V-0/1.5)
Rated Current 50 Amps

Specifications

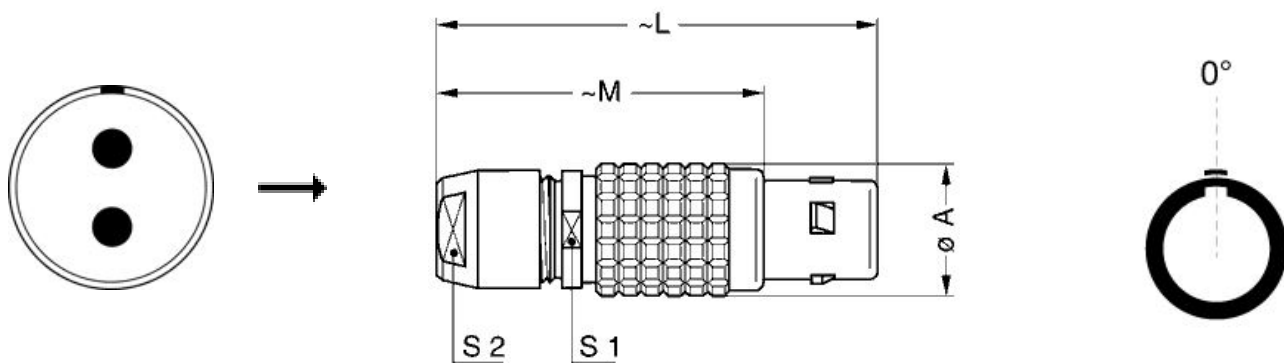
Contact Type: Solder
Contact Dia.: 6 mm (0.236in)
Bucket Dia.: 5.2 mm (0.205in)
Max. Solid Conductor: 10 mm² (AWG 8)
Max. Stranded Conductor: 10 mm² (AWG 8)
R (max): 1.2 mOhm
Vtest (contact-shell): 2950 V (AC), 4170 V (DC)
Vtest (contact-contact): 3600 V (AC), 5000 V (DC)

LEMO products and services are provided "as is". LEMO makes no warranties or representations with regard to LEMO product & services or use of them, express, implied or statutory, including for accuracy, completeness, or security. The user is fully responsible for his products and applications using LEMO components.

Others

Endurance (Shell): 5000
Temp (min / max): -55° C / +250° C
Humidity (max): <=95% [at 60 deg C / 140 F]
Vibration: 15 g [10 Hz - 2000 Hz]
Shock Resistance: 100 g [6 ms]
Climatical Category: 50/175/21
Shielding (min): 75 dB (10 MHz)
Shielding (min): 40 dB (1 GHz)
Salt Spray Corrosion: >1000 hr

DRAWINGS



Dimensions

	A	L	M	S1	S2
mm.	35	103	78	31	30
in.	1,38	4,06	3,07	1,22	1,18

RECOMMENDED BY LEMO

Tools

Caps: [BFG.5B.100.NAS](#)

LEMO products and services are provided "as is". LEMO makes no warranties or representations with regard to LEMO product & services or use of them, express, implied or statutory, including for accuracy, completeness, or security. The user is fully responsible for his products and applications using LEMO components.

Cables

LEMO products and services are provided "as is". LEMO makes no warranties or representations with regard to LEMO product & services or use of them, express, implied or statutory, including for accuracy, completeness, or security. The user is fully responsible for his products and applications using LEMO components.