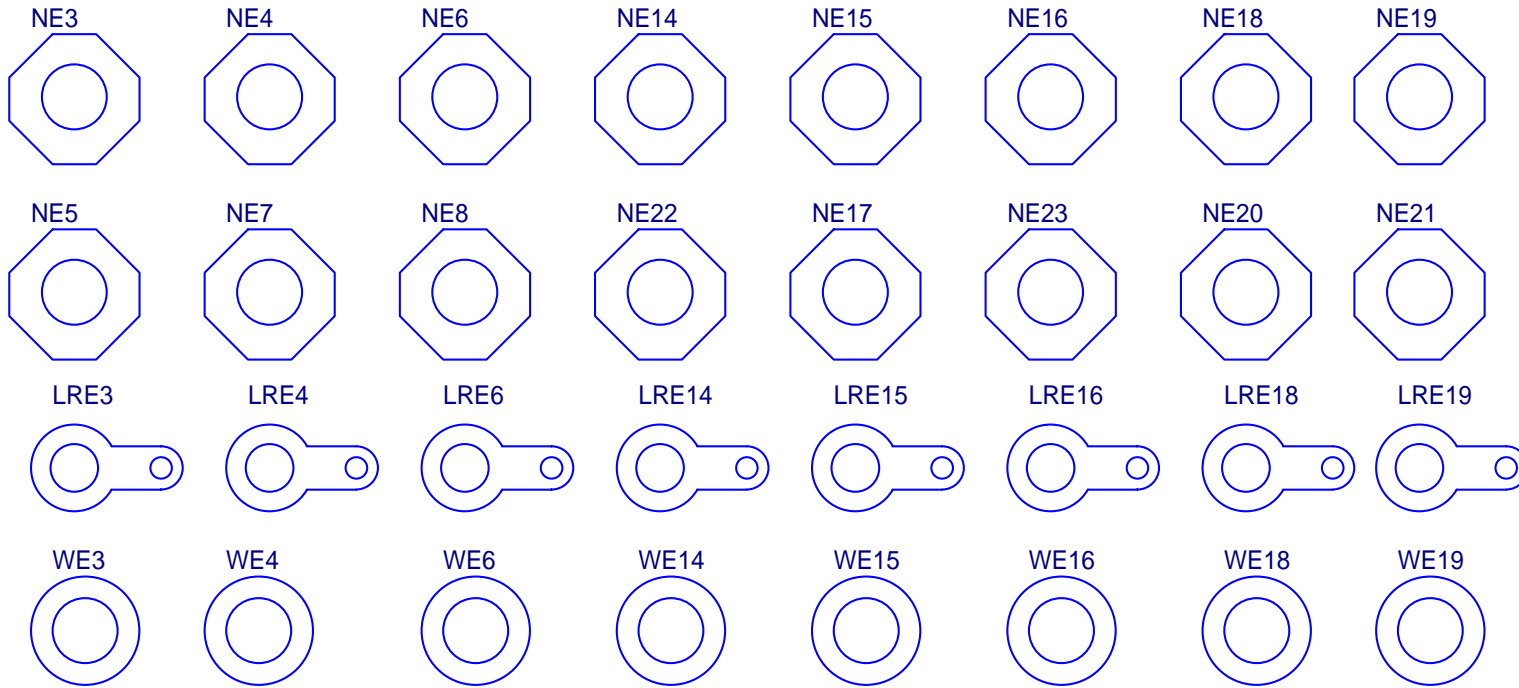
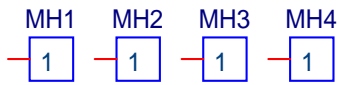


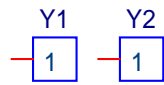
USED TO ASSEMBLE PCB



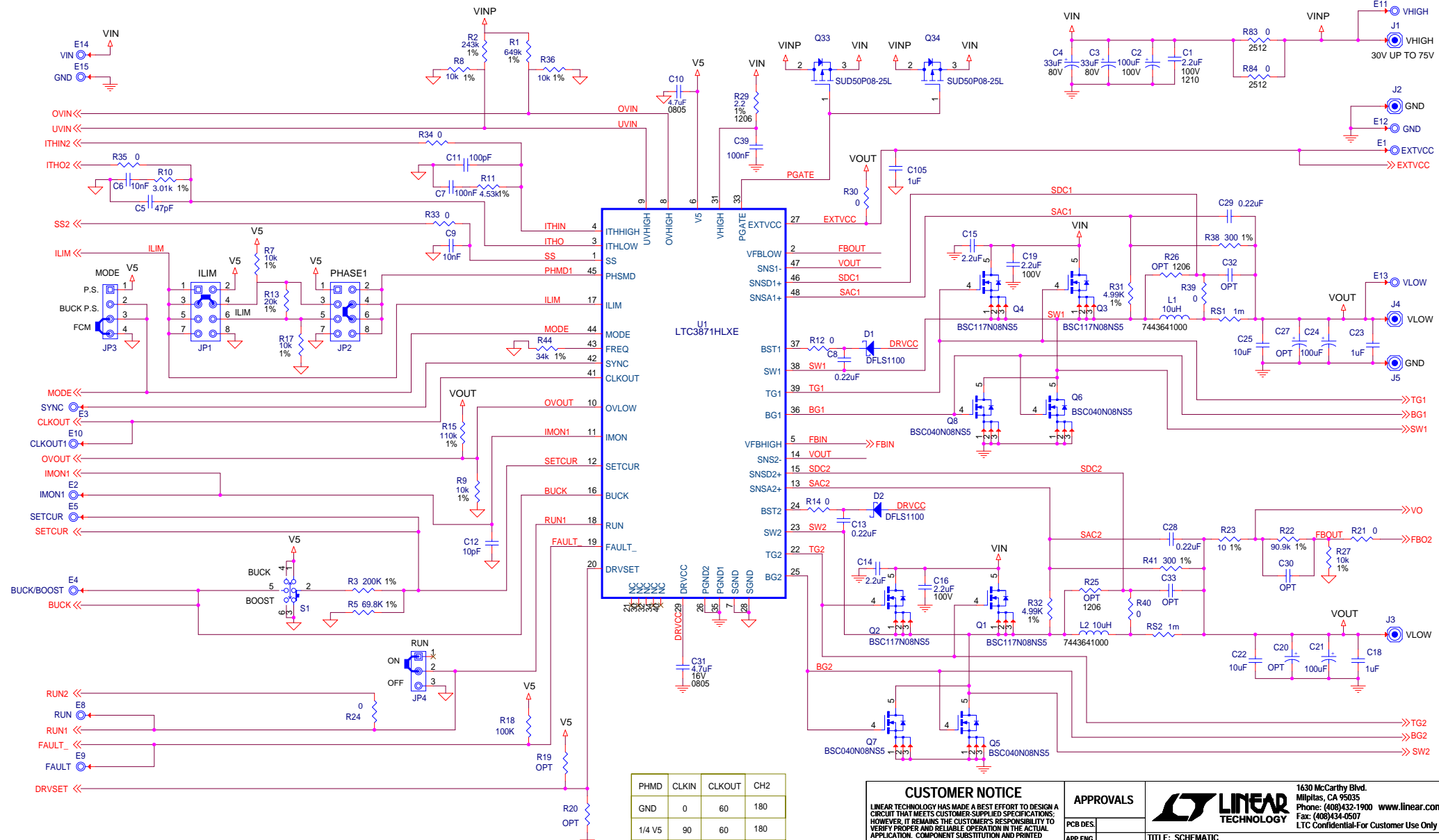
USED TO MANUFACTURE PCB



REPRESENTS STAND OFFS



REPRESENTS TOOLING HOLES



PHMD	CLKIN	CLKOUT	CH2
GND	0	60	180
1/4 V5	90	60	180
FLOAT	0	90	180
3/4 V5	0	45	180
V5	0	240	120

CUSTOMER NOTICE
 LINEAR TECHNOLOGY HAS MADE A BEST EFFORT TO DESIGN A CIRCUIT THAT MEETS CUSTOMER-SUPPLIED SPECIFICATIONS; HOWEVER, IT REMAINS THE CUSTOMER'S RESPONSIBILITY TO VERIFY PROPER AND RELIABLE OPERATION IN THE ACTUAL APPLICATION. COMPONENT SUBSTITUTION AND PRINTED CIRCUIT BOARD LAYOUT MAY SIGNIFICANTLY AFFECT CIRCUIT PERFORMANCE OR RELIABILITY. CONTACT LINEAR TECHNOLOGY APPLICATIONS ENGINEERING FOR ASSISTANCE.

THIS CIRCUIT IS PROPRIETARY TO LINEAR TECHNOLOGY AND SUPPLIED FOR USE WITH LINEAR TECHNOLOGY PARTS.

APPROVALS	
PCB DES.	
APP ENG.	
SCALE = NONE	

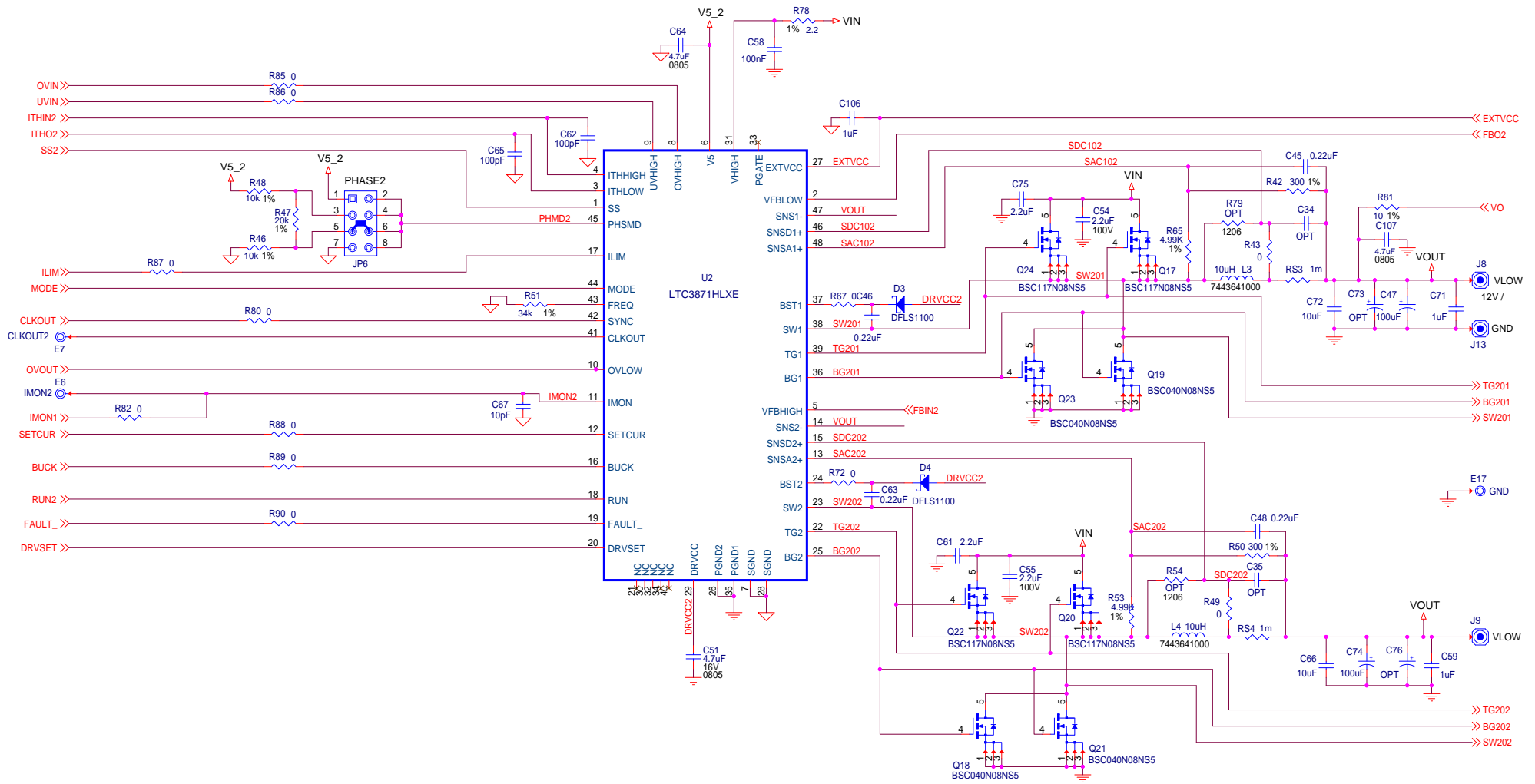
LINEAR TECHNOLOGY

1630 McCarthy Blvd.
 Milpitas, CA 95035
 Phone: (408)432-1900 www.linear.com
 Fax: (408)434-0507
 LTC Confidential-For Customer Use Only

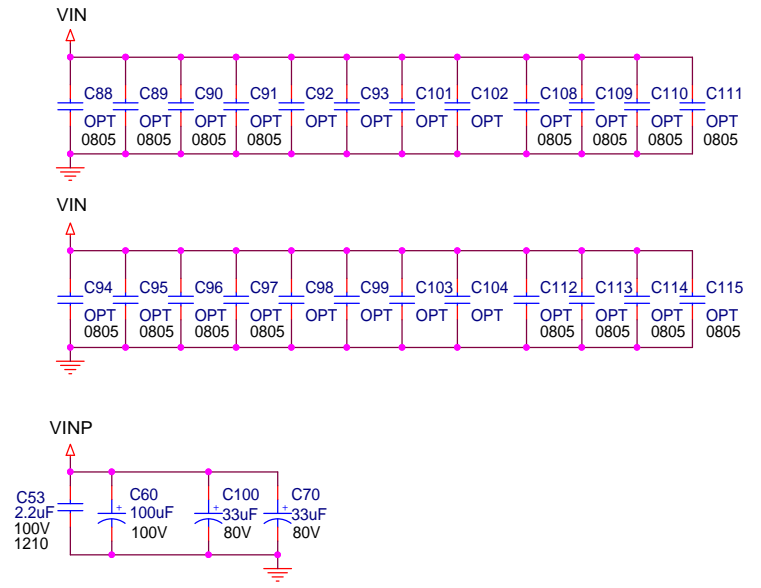
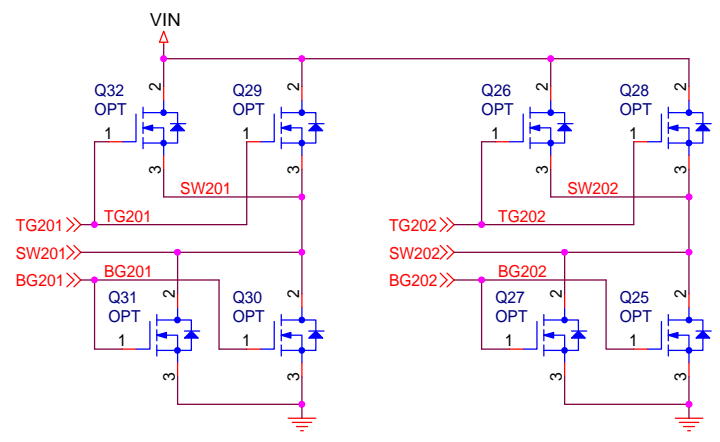
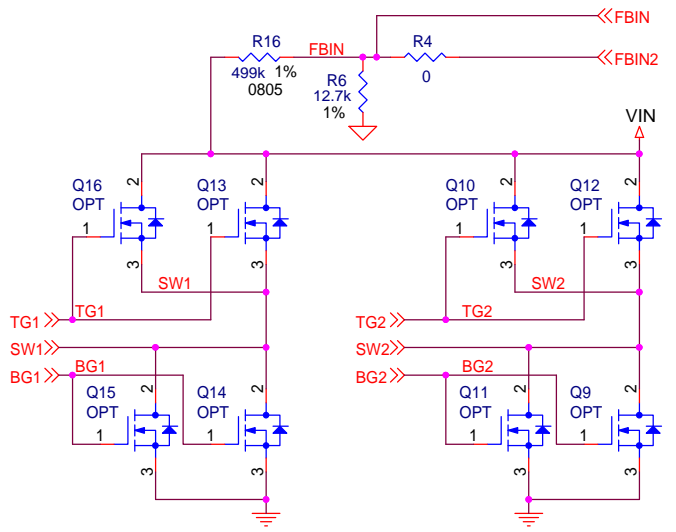
TITLE: SCHEMATIC
HIGH POWER POLY-PHASE BI-DIRECTIONAL SUPPLY/CHARGER


SIZE	IC NO.	LTC3871HLXE#PBF	REV.
N/A	PCB NO.	DEMO CIRCUIT 2348A-A	3

DATE: Tuesday, June 28, 2016 SHEET 1 OF 3



CUSTOMER NOTICE		APPROVALS		LINEAR TECHNOLOGY	
<p>LINEAR TECHNOLOGY HAS MADE A BEST EFFORT TO DESIGN A CIRCUIT THAT MEETS CUSTOMER-SUPPLIED SPECIFICATIONS; HOWEVER, IT REMAINS THE CUSTOMER'S RESPONSIBILITY TO VERIFY PROPER AND RELIABLE OPERATION IN THE ACTUAL APPLICATION. COMPONENT SUBSTITUTION AND PRINTED CIRCUIT BOARD LAYOUT MAY SIGNIFICANTLY AFFECT CIRCUIT PERFORMANCE OR RELIABILITY. CONTACT LINEAR TECHNOLOGY APPLICATIONS ENGINEERING FOR ASSISTANCE.</p>		<p>PCB DES. _____</p> <p>APP ENG. _____</p>		<p>1630 McCarthy Blvd. Milpitas, CA 95035 Phone: (408)432-1900 www.linear.com Fax: (408)434-0507 LTC Confidential-For Customer Use Only</p>	
<p>THIS CIRCUIT IS PROPRIETARY TO LINEAR TECHNOLOGY AND SUPPLIED FOR USE WITH LINEAR TECHNOLOGY PARTS.</p>		<p>SCALE = NONE</p>		<p>TITLE: SCHEMATIC HIGH POWER POLY-PHASE BI-DIRECTIONAL SUPPLY/CHARGER</p>	
				<p>SIZE: N/A</p>	<p>IC NO. LTC3871HLXE#PBF</p>
				<p>PCB NO. DEMO CIRCUIT 2348A-A</p>	<p>REV. 3</p>
				<p>DATE: Tuesday, June 28, 2016</p>	<p>SHEET 2 OF 3</p>



CUSTOMER NOTICE LINEAR TECHNOLOGY HAS MADE A BEST EFFORT TO DESIGN A CIRCUIT THAT MEETS CUSTOMER-SUPPLIED SPECIFICATIONS; HOWEVER, IT REMAINS THE CUSTOMER'S RESPONSIBILITY TO VERIFY PROPER AND RELIABLE OPERATION IN THE ACTUAL APPLICATION. COMPONENT SUBSTITUTION AND PRINTED CIRCUIT BOARD LAYOUT MAY SIGNIFICANTLY AFFECT CIRCUIT PERFORMANCE OR RELIABILITY. CONTACT LINEAR TECHNOLOGY APPLICATIONS ENGINEERING FOR ASSISTANCE.		APPROVALS PCB DES. _____ APP ENG. _____		 1630 McCarthy Blvd. Milpitas, CA 95035 Phone: (408)432-1900 www.linear.com Fax: (408)434-0507 LTC Confidential-For Customer Use Only	
		TITLE: SCHEMATIC HIGH POWER POLY-PHASE BI-DIRECTIONAL SUPPLY/CHARGER		SIZE: N/A IC NO.: LTC3871HLXE#PBF	REV. 3
THIS CIRCUIT IS PROPRIETARY TO LINEAR TECHNOLOGY AND SUPPLIED FOR USE WITH LINEAR TECHNOLOGY PARTS.		SCALE = NONE		DATE: Tuesday, June 28, 2016	
				SHEET 3 OF 3	