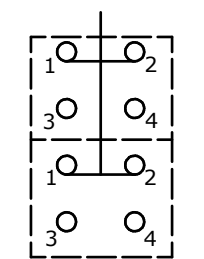


PANEL MOUNTING

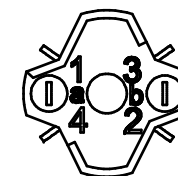
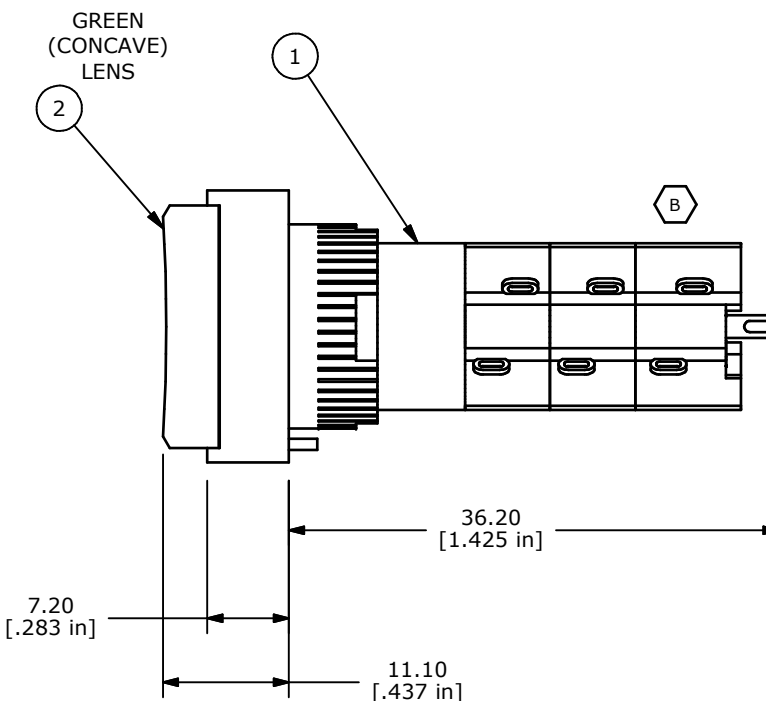
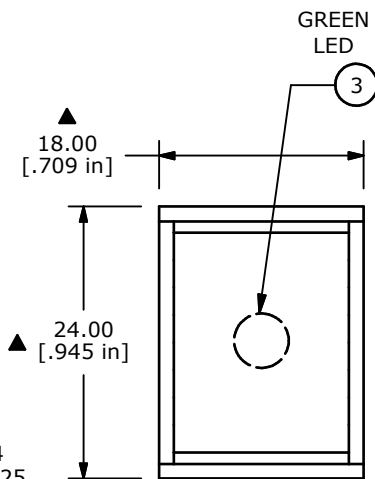


(-) a SPDT b (+)

CONTACT CONFIGURATION

NOTE:

1. ALL DIMENSIONS IN MM [INCH]
2. GENERAL TOLERANCE: X.X=±0.4
X.XX=±0.25
3. TERMINAL NUMBERS FOR REF ONLY
4. ELECTRICAL LIFE: 50,000 MAKE-AND-BREAK CYCLES AT FULL LOAD min.
- ▲ 5. CONTACT RATING: 5A @ 250VAC UL, VDE
8A @ 125VAC UL, VDE
6A @ 24VDC
6. SEAL RATING: IP40
7. MOUNTING PANEL THICKNESS: 0.5mm - 5.0 mm
8. INSULATION RESISTANCE: 1,000 MILLI-OHM MIN.
9. OPERATING TEMP.: -25°C to 70°C
10. FULL TRAVEL: 3.0 mm
11. LAMP VOLTAGE: 24VDC LED - GREEN
12. ▲ DENOTES CRITICAL PARAMETER.
13. 2002/95/EC (ROHS) COMPLIANT.
14. PACKAGE: BOX / 20 PIECES PER BOX



PARTS LIST			
ITEM	QTY	PART NUMBER	DESCRIPTION
1	1	F040054	D16OAT23
2	1	F052202	50-002-02 GREEN OPAQUE RECTANGULAR CONCAVE LENS
3	1	F050422	50-004-22 24VDC LED GREEN

REV	PCR NO	DESCRIPTION	DATE	BY
B	18679	REVISE VIEWS TO SHOW 3PDT BODY	10/12/09	BLR
A	18669	Released For Production	10/5/09	BLR

TITLE D16OAT23KGRNGRN

SCALE	DATE	DR	DWG	REV
1.5:1	10/12/2009	BLR	XF0805A	B