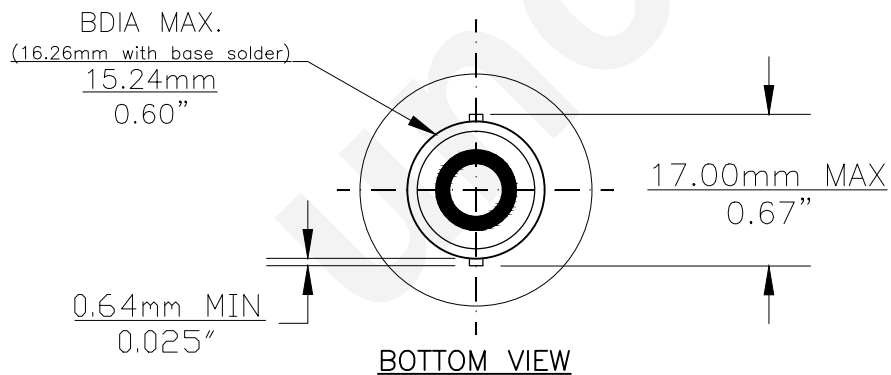
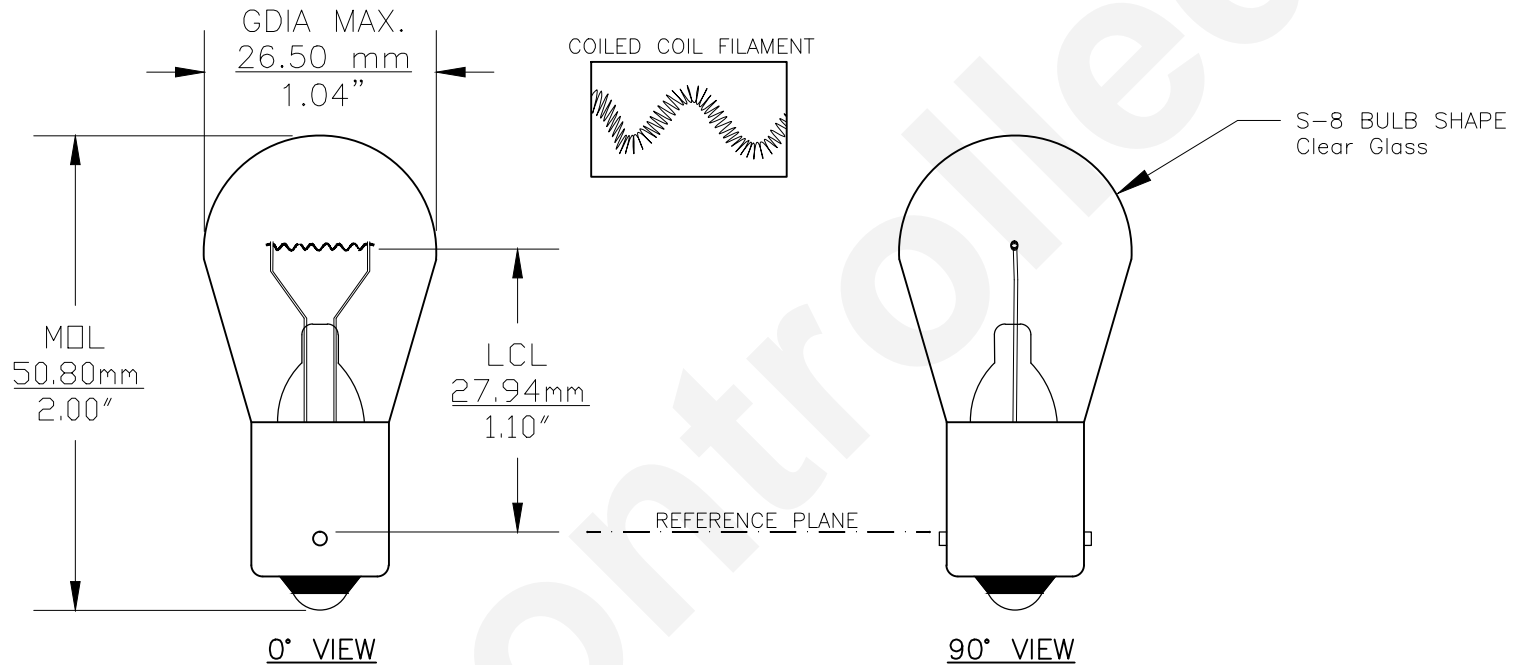




PART NO.	BASE TYPE	DESIGN VOLTS	DESIGN AMPS	MSCD	FILAMENT TYPE	AVERAGE LIFE HOURS	REVISIONS			
							REV #	DESCRIPTION	DATE	APPROVED
CE8	S.C. Bayonet (BA15s) (Nickel)	36.0V	0.69	--	CC-6	300	1	REDRAWN, ADDED 90° & BOTTOMS VIEWS	04/28/2016	R.M.



UNLESS OTHERWISE SPECIFIED: DIMENSIONS ARE IN INCHES TOLERANCES		CEC INDUSTRIES LTD			
DECIMALS .XX ± .05	ANGULAR ± 0.5°	599 BOND STREET		LINCOLNSHIRE, IL 60069	
FRACTIONAL ± 1/64		TITLE LIGHT BULB NO. CE8			
DRAWN DENNIS CLARK	DATE 12/27/2004	SIZE A	FSCM NO.	DWG NO. CE8	REV 1
CHECKED		SCALE	PLOT SCALE	SHEET 1 OF 1	
DESIGN		FILE CE8.pdf	DRAWING NOT TO SCALE		