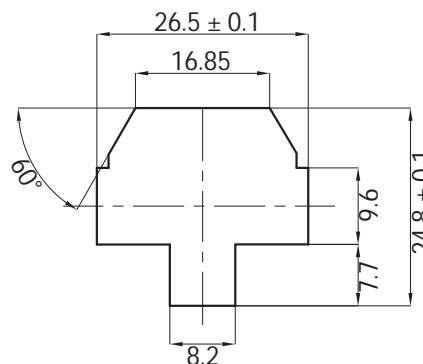
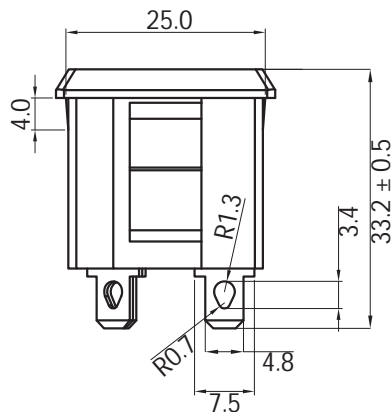
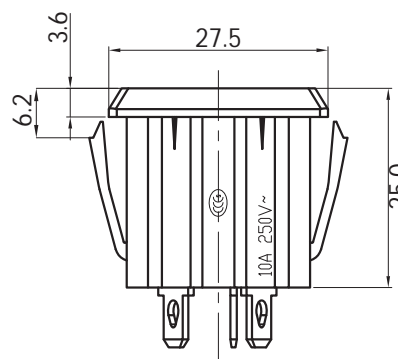
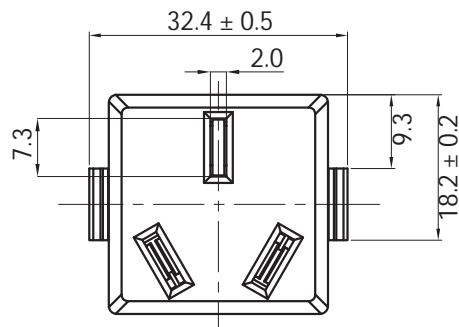
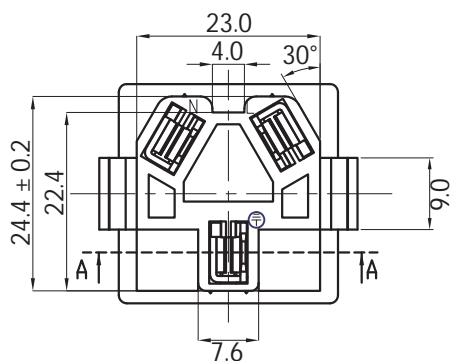


THESE DRAWINGS ARE THE PROPERTY OF QUALTEK ELECTRONICS AND NOT TO BE REPRODUCED FOR OR COMMUNICATED TO A THIRD PARTY WITHOUT THE EXPRESS WRITTEN PERMISSION OF AN OFFICER OF QUALTEK ELECTRONICS.

REVISION			
REV.	DESCRIPTION	DATE	APPROVED



PANEL CUTOUT



NOTES:

BODY MATERIAL: PC
 BODY COLOR: BLACK
 SOLDERING PIN: t=0.8mm TIN PLATED
 RATING: 10A 250V AC
 APPROVALS: CCC
 PANEL THICKNESS: 0.8mm ~ 2.5mm
 RoHS COMPLIANT

CONTROLLED

Dim range (mm)	Tolerance +/- (mm)	Qualtek Electronics Corp. PPC DIVISION		
		Part Number:	741W-H/01	RoHS Compliant
0-1	0.15	Description: CHINA AC RECEPTACLE		
1-6	0.20			
6-18	0.30	UNIT: mm		
18-50	0.50			
50-120	0.70	Drawn / Date	Checked / Date	Approved / Date
120-250	0.90	R.Nuti 09-29-20	09-29-20	LY / 09-29-20
250-500	1.20			