

THIS DRAWING IS UNPUBLISHED.

RELEASED FOR PUBLICATION

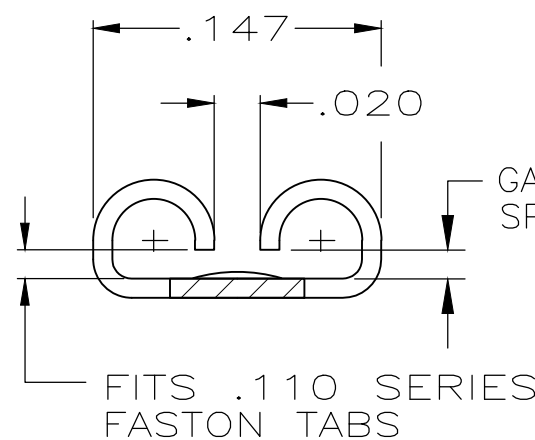
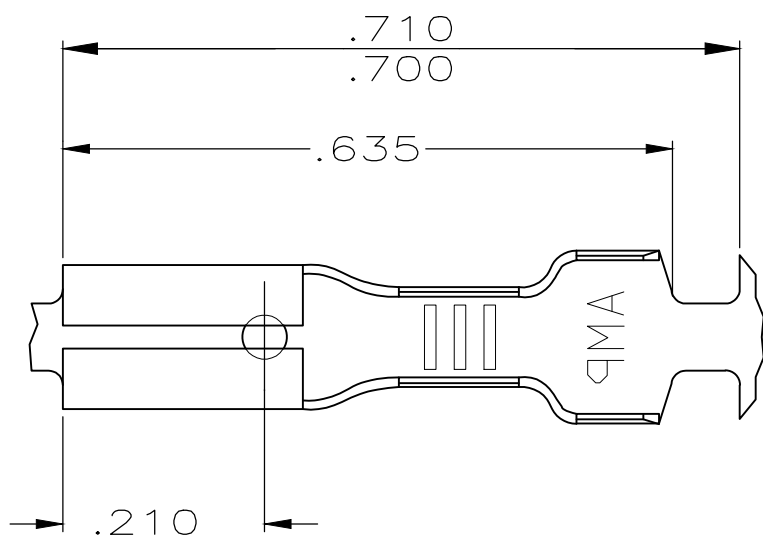
ALL RIGHTS RESERVED.

© COPYRIGHT - By -

LOC AF DIST 50

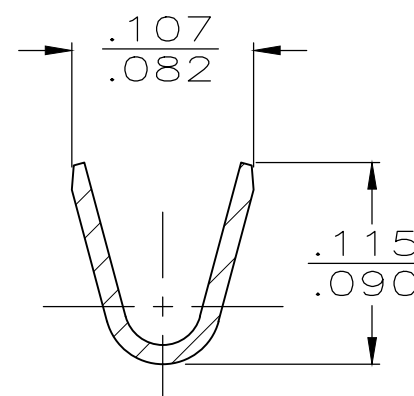
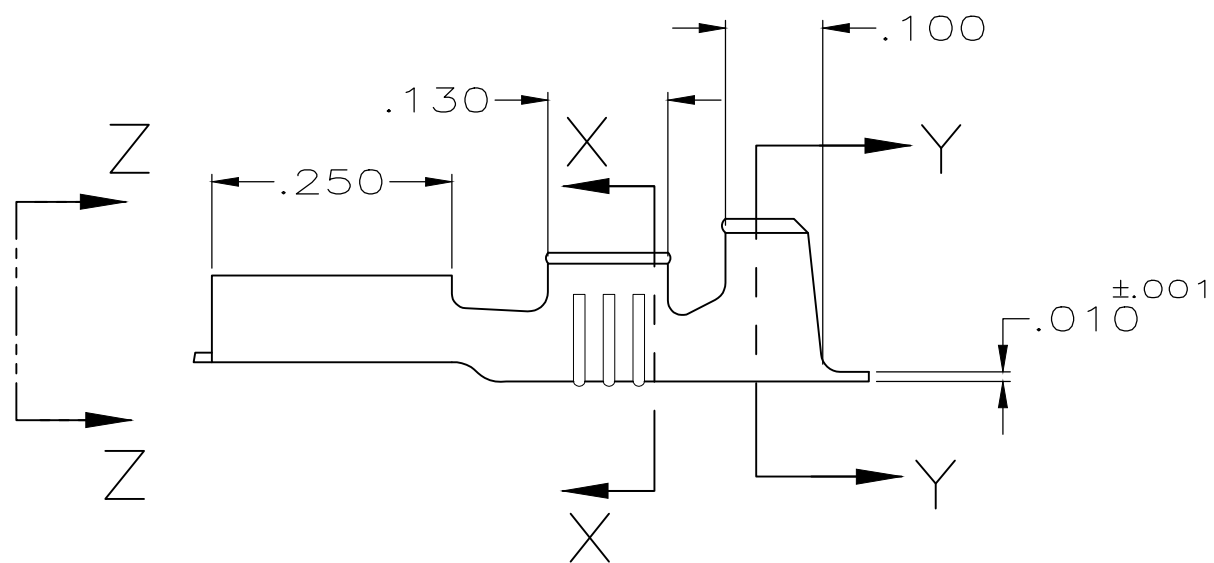
REVISIONS

| P | LTR | DESCRIPTION | DATE | DWN | APVD |
|---|-----|---------------------------|-----------|-----|------|
| | H2 | REVISED PER ECR-20-009164 | 28JUL2020 | MK | DH |

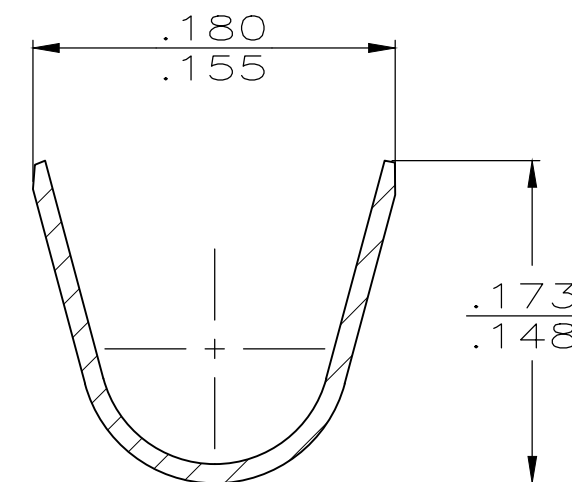


VIEW Z-Z
SCALE 10:1

- 1 CONTINUOUS STRIP ON REELS
- 2 FINISH LEAD-FREE, MATTE TIN OVER NICKEL



SECTION X-X
SCALE 10:1



SECTION Y-Y
SCALE 10:1

| | | | | |
|-------------|-----------|----------------|---------|----------|
| .090-.130 | 22-18 AWG | .021-.019 | 2 | 62094-3 |
| | | | - | 62094-2 |
| | | | PRE-TIN | 62094-1 |
| INSUL RANGE | WIRE SIZE | MATING TAB THK | FINISH | PART NO. |

| | | | | | |
|--|--|------------------------|---|--|--|
| THIS DRAWING IS A CONTROLLED DOCUMENT. | | DWN JR RUTH 12/20/90 | STE TE Connectivity | | |
| DIMENSIONS: INCHES | | CHK MS FEHER 12/20/90 | | | |
| TOLERANCES UNLESS OTHERWISE SPECIFIED: | | APVD C MEYERS 12/21/90 | NAME RECEPTACLE, FASTON, .110 SERIES | | |
| 0 PLC ± - | | PRODUCT SPEC - | SIZE CAGE CODE DRAWING NO RESTRICTED TO | | |
| 1 PLC ± - | | APPLICATION SPEC - | A3 00779 C-62094 | | |
| 2 PLC ± - | | WEIGHT - | SCALE 5:1 SHEET 1 OF 1 REV H2 | | |
| 3 PLC ± .015 | | | | | |
| 4 PLC ± - | | | | | |
| ANGLES ± - | | | | | |
| FINISH SEE TABLE | | | | | |
| MATERIAL BRASS | | | | | |