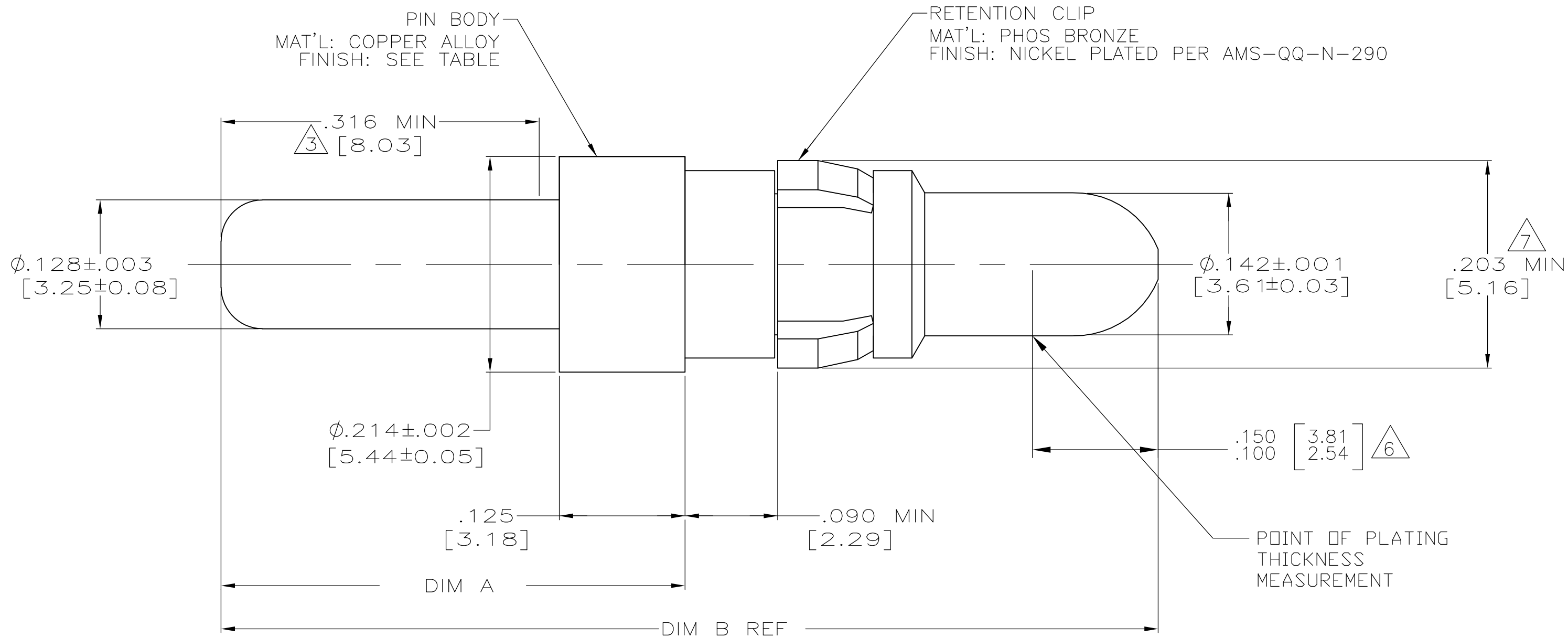


THIS DRAWING IS UNPUBLISHED. RELEASED FOR PUBLICATION
 © COPYRIGHT - By - ALL RIGHTS RESERVED.

LOC		DIST		REVISIONS			
P	LTR	DESCRIPTION		DATE	DWN	APVD	
	E	REV PER ECO 15-000491		4-24-15	CT	CD	



1 FINISH: PLATED GOLD .000050 [0.00127] MIN THK PER ASTM-B-488 OVER NICKEL .000050 [0.00127] MIN THK PER AMS-QQ-N-290.

2 FINISH: PLATED GOLD .000030 [0.00076] MIN THK PER ASTM-B-488 OVER NICKEL .000050 [0.00127] MIN THK PER AMS-QQ-N-290.

3 THIS AREA SHALL SATISFY THE REQUIREMENTS OF MIL-STD-202, METHOD 208.

4. THIS CONTACT CAN BE USED IN ANY AMPLIMITE PLUG CONNECTOR WITH SIZE 8 CONTACT CAVITIES.

5 RESTRICTED PART NUMBER.

6 FINISH:
 MATING AREA: GOLD PER ASTM-B-488 (TYPE II) OVER NICKEL PER AMS-QQ-N-290
 NON-MATING AREA: GOLD STRIKE PER ASTM-B-488 OVER NICKEL PER AMS-QQ-N-290

7 DIMENSION MUST BE MEASURED USING A RING GAGE.

5 PRELIMINARY NOT RELEASED FOR PRODUCTION
 PRELIMINARY NOT RELEASED FOR PRODUCTION

FINISH	DIM B	DIM A	PART NUMBER
2	.845 [21.46]	.375 [9.53]	1-449379-2
2	.931 [23.65]	.461 [11.71]	1-449379-1
6	.845 [21.46]	.375 [9.53]	1-449379-0
6	.931 [23.65]	.461 [11.71]	449379-2
			449379-1

THIS DRAWING IS A CONTROLLED DOCUMENT.		DWN C.C.THOMAS 11/10/00														
DIMENSIONS: INCHES [mm]		CHK D.MILLER 11/10/00														
TOLERANCES UNLESS OTHERWISE SPECIFIED:		APVD D.MILLER 11/10/00	NAME ASSEMBLY,PIN CONTACT SIZE 8,STRAIGHT POST,PCB													
<table border="1"> <tr><td>0 PLC</td><td>± -</td></tr> <tr><td>1 PLC</td><td>± -</td></tr> <tr><td>2 PLC</td><td>± -</td></tr> <tr><td>3 PLC</td><td>± .005 [0.13]</td></tr> <tr><td>4 PLC</td><td>± -</td></tr> <tr><td>ANGLES</td><td>± -</td></tr> </table>		0 PLC	± -	1 PLC	± -	2 PLC	± -	3 PLC	± .005 [0.13]	4 PLC	± -	ANGLES	± -	PRODUCT SPEC -	SIZE A2	CAGE CODE 00779
0 PLC	± -															
1 PLC	± -															
2 PLC	± -															
3 PLC	± .005 [0.13]															
4 PLC	± -															
ANGLES	± -															
MATERIAL SEE CALLOUTS		FINISH SEE TABLE	DRAWING NO C=449379	RESTRICTED TO -												
		WEIGHT -	SCALE 10:1	SHEET 1 of 1												
		CUSTOMER DRAWING	REV E													