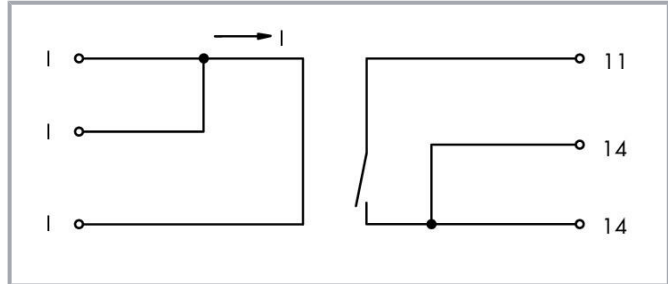


Data sheet | Item number: 286-662

Current flow monitoring module; DC currents; Monitoring range: 0.4 A – 3.5 A; 1 make contact; light gray

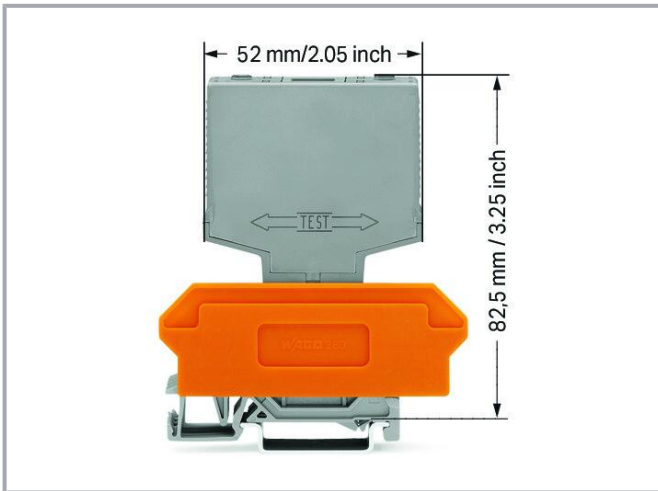
[www.wago.com/286-662](http://www.wago.com/286-662)



Subject to changes. Please also observe the further product documentation!

WAGO GmbH & Co. KG  
Hansastr. 27  
32423 Minden  
Phone: +49571 887-0 | Fax: +49571 887-169  
Email: [info.de@wago.com](mailto:info.de@wago.com) | Web: [www.wago.com](http://www.wago.com)

Do you have any questions about our products?  
We are always happy to take your call at +49 (571) 887-44222.



## Data

### Electrical data

Operating voltage	12 ... 28 VDC
Voltage drop at input	24 ... 210 mV
Measurement span (max.)	0.4 ... 3.5 ADC (-20 ... +40 °C); 0.4 ... 3 ADC (-20 ... +60 °C); 0.4 ... 2 ADC (-20 ... +70 °C)
Turn on/off point	0.35 A / 0.07 A
Response time	0.5 ms
Number of make/switch-on contacts	1
Limiting continuous current	0.5 A
Switching voltage (max.)	DC 200 V
Switching power (resistive) max.	DC 10 W

### Safety and protection

Dielectric strength, input/output (AC, 1 min)	1.5 kV <sub>rms</sub>
---	-----------------------

### Physical data

Height from upper-edge of DIN-rail	82.5 mm / 3.25 inches
Depth	52 mm / 2.047 inches

### Mechanical Data

Mounting type	Pluggable module for receptacle terminal blocks
Housing design	Plug for carrier terminal blocks

Subject to changes. Please also observe the further product documentation!

## Material Data

Color	light gray
Fire load	0.346 MJ
Weight	22.7 g

## Environmental requirements

Ambient temperature (operation)	-25 ... +40 °C
Relative humidity	5 ... 95 % (no condensation permissible)
Operating altitude (max.)	2000 m

## Commercial data


Product Group	6 (INTERFACE ELECTRONIC)
eCl@ss 10.0	27-37-18-02
eCl@ss 9.0	27-37-18-02
ETIM 8.0	EC001440
ETIM 7.0	EC001440
PU (SPU)	15 (1) pcs
Packaging type	Box
Country of origin	DE
GTIN	4045454415730
Customs tariff number	85364900990

## Environmental Product Compliance

RoHS Compliance Status	Compliant, No Exemption
------------------------	-------------------------

## Approvals / Certificates

### General approvals

Logo	Approval	Additional Approval Text	Certificate name
	EAC Brjansker Zertifizierungsstelle	TP TC 020/2011	EAC_Certificate_RU_C- DE.AM02.B.00115_19

## Optional accessories

### Marking accessories

Subject to changes. Please also observe the further product documentation!

Marker



**Item no.: 209-701**

WSB marking card; as card; not stretchable; plain; snap-on type; white

[www.wago.com/209-701](http://www.wago.com/209-701)

Terminal blocks

Terminal block for pluggable modules



**Item no.: 280-619**

Terminal block for pluggable modules; 6-pole; with 2-conductor terminal blocks; with orange separator; [www.wago.com/280-619](http://www.wago.com/280-619) for DIN-rail 35 x 15 and 35 x 7.5; 2.5 mm<sup>2</sup>; CAGE CLAMP®; 2,50 mm<sup>2</sup>; gray



**Item no.: 280-609**

Terminal block for pluggable modules; 6-pole; with 4-conductor terminal blocks; with orange separator; [www.wago.com/280-609](http://www.wago.com/280-609) for DIN-rail 35 x 15 and 35 x 7.5; 2.5 mm<sup>2</sup>; CAGE CLAMP®; 2,50 mm<sup>2</sup>; gray



**Item no.: 280-763**

Terminal block for pluggable modules; 6-pole; with 4-conductor terminal blocks; with marker carrier; [www.wago.com/280-763](http://www.wago.com/280-763) with orange separator; for DIN-rail 35 x 15 and 35 x 7.5; 2.5 mm<sup>2</sup>; CAGE CLAMP®; 2,50 mm<sup>2</sup>; gray

Downloads

Documentation

Bid Text

286-662 X81 - Datei	2019 Feb 19	xml 3.6 kB	Download
286-662 doc - Datei	2015 Apr 2	doc 24.6 kB	Download

Instruction Leaflet

		pdf 1.3 MB	Download
--	--	---------------	----------

Additional Information

Disposal and Recycling Electrical and electronic equipment, Batteries, Packaging	V 1.1.0 2022 Aug 18	pdf 2.2 MB	Download
---	------------------------	---------------	----------

CAD/CAE-Data

CAE data

WSCAD Universe 286-662		URL	Download
------------------------	--	-----	----------

Subject to changes. Please also observe the further product documentation!



## Environmental Product Compliance

### Compliance Search

Environmental Product Compliance 286-662

URL

Download

Current flow monitoring module; DC currents; Monitoring range: 0.4 A – 3.5 A; 1 make contact; light gray

---

## Installation Notes

Subject to changes. Please also observe the further product documentation!

---

WAGO GmbH & Co. KG

Hansastr. 27

32423 Minden

Phone: +49571 887-0 | Fax: +49571 887-169

Email: [info.de@wago.com](mailto:info.de@wago.com) | Web: [www.wago.com](http://www.wago.com)

Do you have any questions about our products?

We are always happy to take your call at +49 (571) 887-44222.