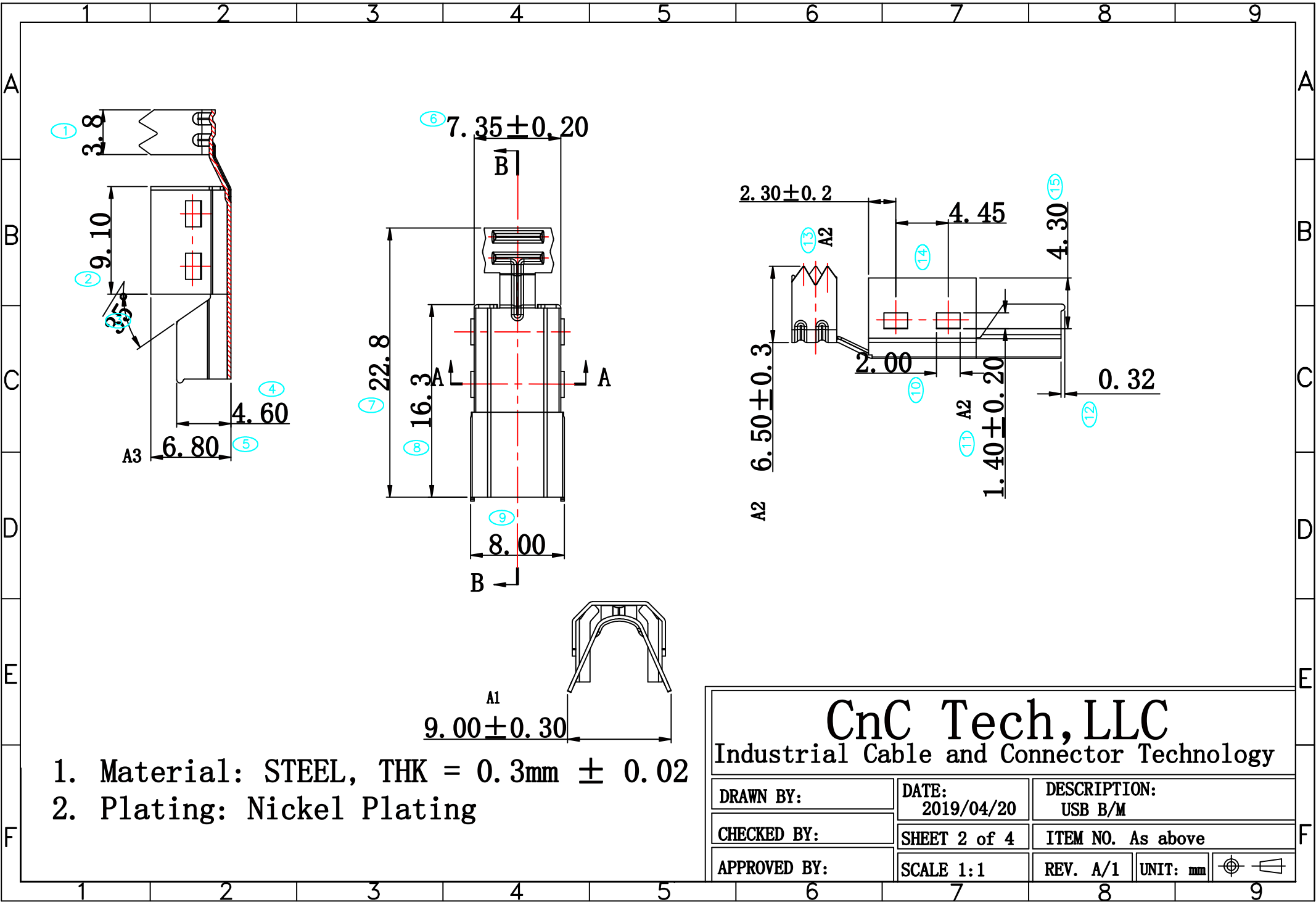


1. Material: STEEL, THK = 0.3mm ± 0.02
2. Plating: Nickel Plating

PART NUMBER	CONTENTS	DESCRIPTION	Pin Plating
1001-002-BE-KIT	1001-B-BE-02000	USB 1.1 CONNECTOR AND HOOD, ASSEMBLY B TYPE, BEIGE, 4 PCS PER BAG.	Gold Flash
	1001-B-02300		
1002-002-BE-KIT	1001-B-BE-02000	USB 2.0 CONNECTOR AND HOOD, ASSEMBLY B TYPE, BEIGE, 4 PCS PER BAG.	Gold 30u"
	1002-B-02300		
1001-002-BL-KIT	1001-B-BL-02000	USB 1.1 CONNECTOR AND HOOD, ASSEMBLY B TYPE, BEIGE, 4 PCS PER BAG.	Gold Flash
	1001-B-01300		
1002-002-BL-KIT	1001-B-BL-02000	USB 2.0 CONNECTOR AND HOOD, ASSEMBLY B TYPE, BEIGE, 4 PCS PER BAG.	Gold 30u"
	1002-B-02300		

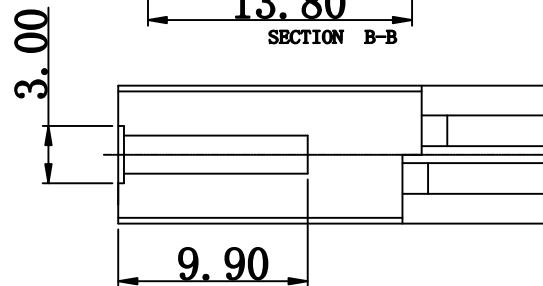
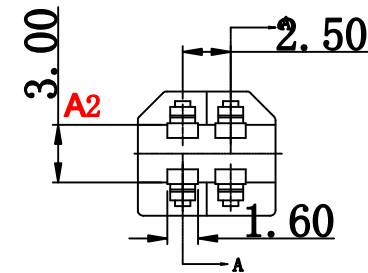
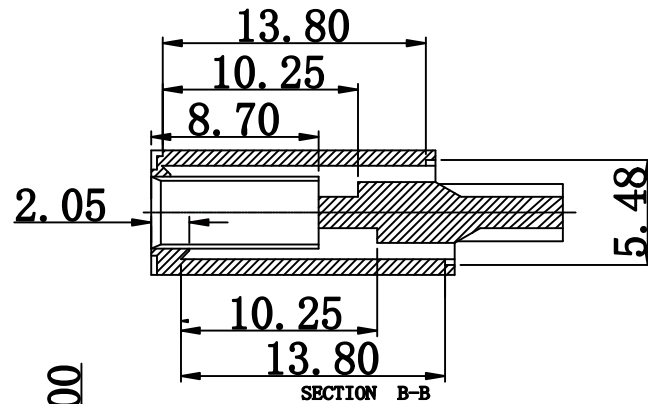
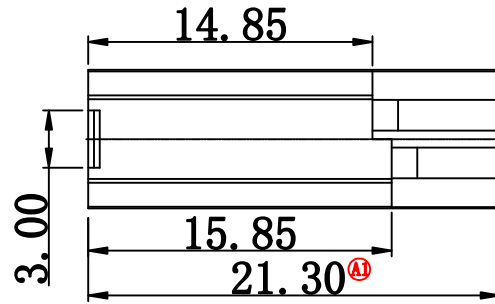
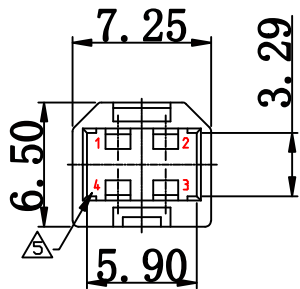
CnC Tech, LLC
Industrial Cable and Connector Technology

DRAWN BY:	DATE: 2019/04/20	DESCRIPTION: USB B/M
CHECKED BY:	SHEET 1 of 4	ITEM NO. As above
APPROVED BY:	SCALE 1:1	REV. A/1 UNIT: mm



1. Material: STEEL, THK = 0.3mm ± 0.02
2. Plating: Nickel Plating

CnC Tech, LLC		
Industrial Cable and Connector Technology		
DRAWN BY:	DATE: 2019/04/20	DESCRIPTION: USB B/M
CHECKED BY:	SHEET 2 of 4	ITEM NO. As above
APPROVED BY:	SCALE 1:1	REV. A/1 UNIT: mm



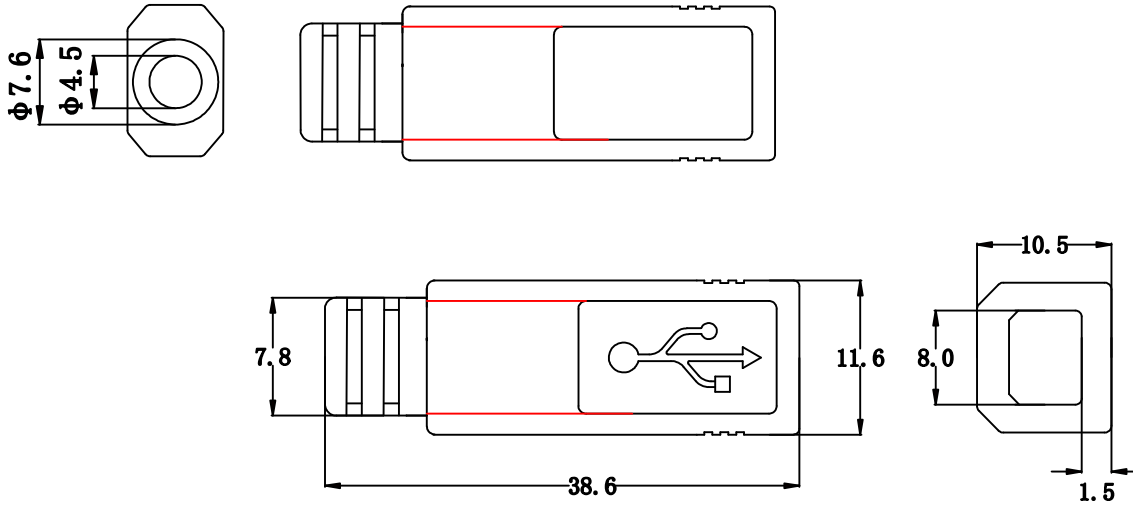
1. Material:
 - 1-1. Housing PBT+30% Glass, UL 94V-0
 - 1-2. Terminal Brass (C2680)
2. Plating: 50u" min Nickel Plating Overall
 100u" min Tin Plating on Soldertail Area
 Gold Plating on Contact Area

CnC Tech, LLC		
Industrial Cable and Connector Technology		
DRAWN BY:	DATE: 2019/04/20	DESCRIPTION: USB B/M
CHECKED BY:	SHEET 3 of 4	ITEM NO. As above
APPROVED BY:	SCALE 1:1	REV. A/1 UNIT: mm

UNIT:MM

REVISION INFORMATION

Rev.	Rev. Date	Modified By	Brief Description
B/0	19-02-28	T0228A	NEW DRAWING
B/1	19-04-19	B0403B	Modified Size and Model



NO.	NAME	QTY	SPECIFICATION
④	PE BAG	1/200	CLEAR SIZE:300X400X0.05mm PRINT BLACK*MADE IN CHINA*+*200PCS*
③	PE BAG	1	CLEAR SIZE:60X80X0.05mm PRINT BLACK*MADE IN CHINA*+*1PC*
②	OUT JACKET	1	Mould: BMBT-1-2-1 (PVC 55P IV-29 / BLACK) WEIGHT: 3g
①	CONN	1set	USB B MALE PIN GOLD PLATING SHELL NICKEL INSULATION WHITE

CnC Tech, LLC
Industrial Cable and Connector Technology

DRAWN BY:	DATE: 2019/04/20	DESCRIPTION: USB B/M
CHECKED BY:	SHEET 4 of 4	ITEM NO. As above
APPROVED BY:	SCALE 1:1	REV. A/1 UNIT: mm