

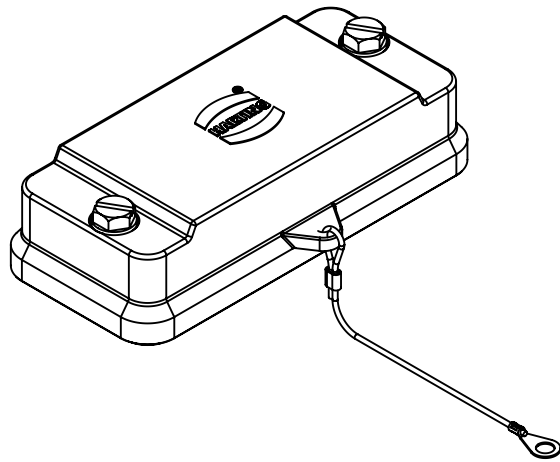
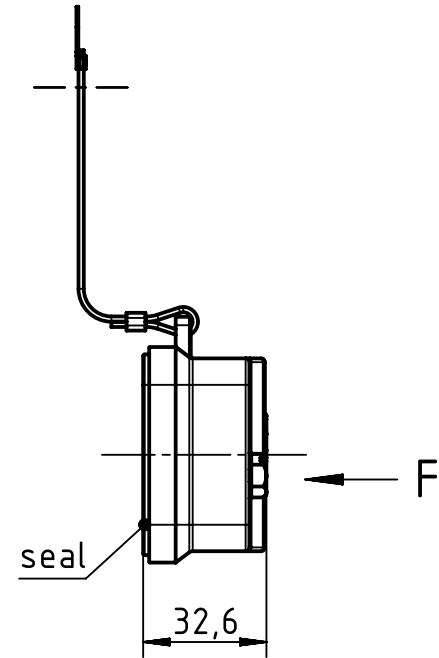
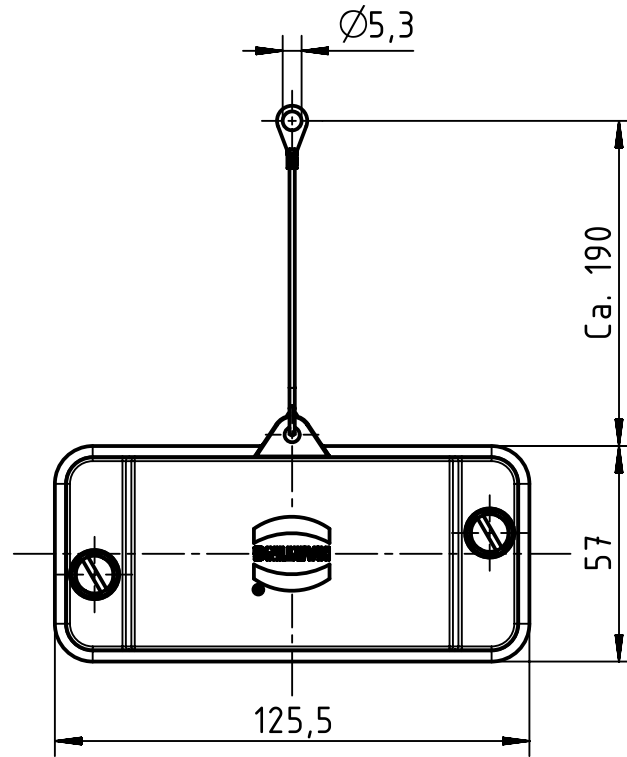
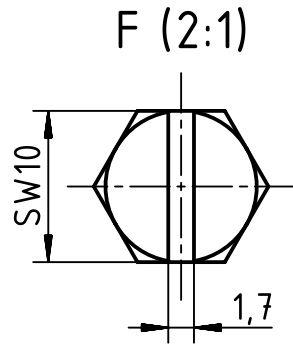
1 2 3 4 5 6

A

B

C

D



	All rights reserved Department EL PD - CN	All Dimensions in mm Original Size DIN A4		Scale 1:2	Free size tol.	Ref.	
		Created by LONGL	Inspected by DINGB	Standardisation TIEMANNA	Date 2017-09-06	State Final Release	
HARTING (Zhuhai) Manufacturing Co., Ltd. 519085 Zhuhai, China		Title Han 16HP Direct cover device side				Doc-Key / ECM-Nr. 100721997/UGD/000/B 500000124.782	
		Type TB	Number 09 39 016 5410			Rev. B	Page 1/1