

RECOMMENDED CABLE STRIPPING DIM'S
Connector adds: 0,7 mm

I. MATERIALS & FINISHES

Components	Materials	Finishes	Thk. (μ "")
Body	Stainless Steel	Passivation	--
Center Cont.	Brass	Gold	50
Ferrule	Brass	Albaloy	80
Nut	Stainless Steel	Passivation	--
Insulator	PTFE	--	--
Gasket	Silicone	--	--

II. ELECTRICAL PROPERTIES

Impedance (Ω):	50
Frequency Range (GHz):	DC to 6 GHz
Dielectric Withstanding Voltage (V):	1000
Insulation Resistance (M Ω):	≥ 50000
VSWR:	≤ 1.30
Insertion Loss(dB, f/GHz):	$-0.1x \sqrt{f}$

III. ENVIRONMENT PROPERTIES

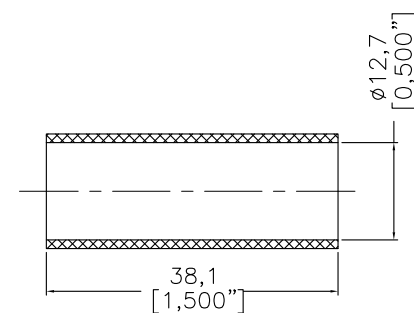
Temperature Range:	-40 $^{\circ}$ c~+125 $^{\circ}$ c
Thermal Shock:	MIL-STD 202G, Meth.107, Cond.B
Vibration:	MIL-STD 202G, Meth.204, Cond.D
Shock:	MIL-STD 202G, Meth.213, Cond I
Climatic Class:	IEC 60068 55/155/21
(2002/95/EC)RoHS:	Compliant

IV. MECHANICAL PROPERTIES

Center Cont.:	Solder
Outer Cont.:	Crimp
Coupling Nut Torque (in.lbs):	7-10
Cbl-Connector Retention Force (lbs):	60
Durability (cycles):	500

V. TOOLING

Stripping Tool: N/A
Crimping Tool: 3190-667/CT-240/200/100



Shrink Tube (1/2"x1.5" 3:1)

MATL:	UNLESS OTHERWISE SPECIFIED	DFTM.	Monica		
USED ON: O	ALL DIMENSIONS ARE IN mm MACHINED SURFACES FINISH 1.6 RMS MAX. REMOVE ALL BURRS 0.15X45 $^{\circ}$ MAX. BREAK MACHINE CORNERS 0.15X45 $^{\circ}$ D MAX. FILLET R. TOLERANCES ON DECIMALS .X ± 0.3 .XX ± 0.15 ANGLES $\pm 2^{\circ}$ FRACTIONS \pm N/A	DATE	2019.02.13		
SCALE: N/A DWG SIZE A4		CHKD	Patrick		
		DATE	2019.02.13		
		APPD	Joslen		
	DO NOT SCALE DRAWING	DATE	2019.02.13	TC-240-SM-RA-SS-D SMA Male(Plug) Right Angle Solder Pin Stainless Steel Connector for LMR-240 Cable	
	CODE IDENT	68999	DATE	2019.02.13	S H T 1 OF 1 3190-6546 R E V A

Interface Compatible with Standard: IEC 60169-15
MIL-STD-348/310