

## Features

- Low Quiescent Current: 50 $\mu$ A
- Low Output Noise: 40 $\mu$ V<sub>RMS</sub>(10Hz~100kHz)
- Operating Voltage Range: 1.8V ~ 6.0V
- Low Dropout Voltage: 50mV@100mA
- Output Voltage: 1.05~ 5.0V
- High Accuracy:  $\pm$ 2%(Typ.)
- TTL-Logic-Controlled Shutdown Input
- Excellent Line and Load Transient Response
- Built-in Current Limiter, Short-Circuit Protection
- ESD Protected up to 4KV (HBM),200V(MM)
- Moisture Sensitivity Level 1
- Epoxy Meets UL 94 V-0 Flammability Rating
- Halogen Free Available Upon Request By Adding Suffix "-HF"
- Lead Free Finish/RoHS Compliant ("P" Suffix designates RoHS Compliant. See ordering information)

## Applications

- Cellular and Smart Phones
- Radio control systems
- Laptop, Palmtops and PDAs
- Digital Still and Video Cameras
- MP3, MP4 Player
- Battery-Powered Equipment

## Description

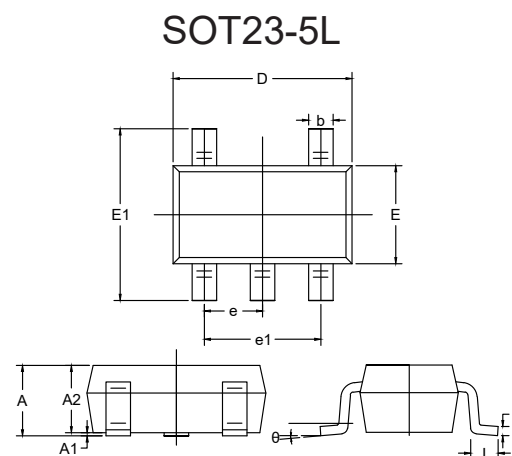
The MC6225 series are a group of positive voltage regulators manufactured by CMOS technologies with high ripple rejection, ultra-low noise, low power consumption and low dropout voltage, which can prolong battery life in portable electronics. The MC6225 series work with low-ESR ceramic capacitors, reducing the amount of board space necessary for power applications. The MC6225 series consume less than 0.1 $\mu$ A in shutdown mode and have fast turn-on time less than 50 $\mu$ S. The series are very suitable for the battery-powered equipments, such as RF applications and other systems requiring a quiet voltage source.

MCC Part Number	Device Marking
MC6225-1.2	ADdXX <sup>(1)</sup>
MC6225-1.8	ADJXX <sup>(1)</sup>
MC6225-2.5	ADqXX <sup>(1)</sup>
MC6225-3.0	ADvXX <sup>(1)</sup>
MC6225-3.3	ADyXX <sup>(1)</sup>

Note:

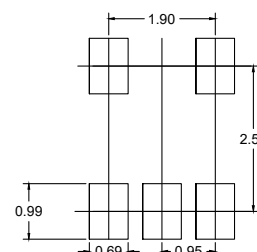
1. "XX" indicate DateCode.

# Low Noise CMOS Voltage Regulators

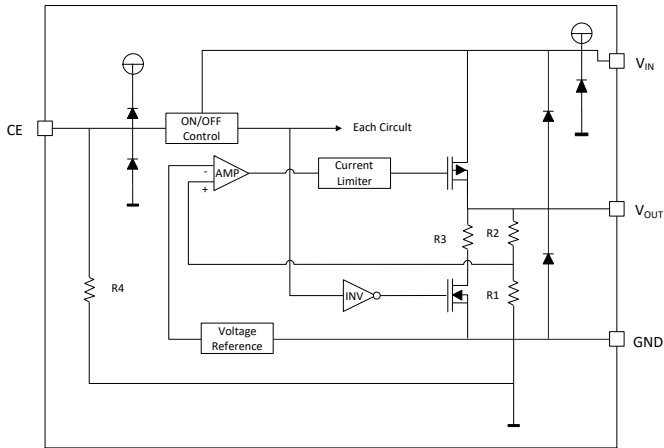


DIM	INCHES		MM		NOTE
	MIN	MAX	MIN	MAX	
A	0.041	0.049	1.05	1.25	
A1	0.000	0.004	0.00	0.10	
A2	0.041	0.045	1.05	1.15	
b	0.012	0.020	0.30	0.50	
c	0.004	0.008	0.10	0.20	
D	0.111	0.119	2.82	3.02	
E	0.059	0.067	1.50	1.70	
E1	0.104	0.116	2.65	2.95	
e	0.037(BSC)		0.950(BSC)		
e1	0.071	0.079	1.80	2.00	
L	0.012	0.024	0.30	0.60	
$\theta$	0°	8°	0°	8°	

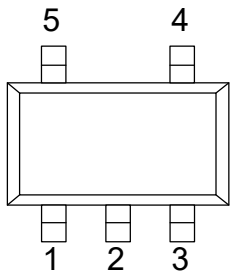
### Suggested Solder Pad Layout



### Functional Block Diagram

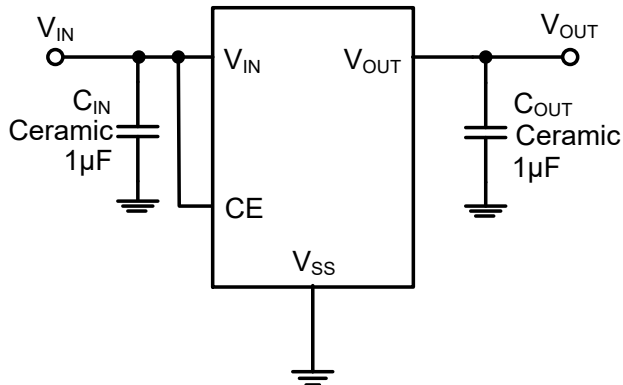


### Pin Configuration and Functions (Top View)



Number	Name	Function
1	$V_{IN}$	Power Input Pin
2	$V_{SS}$	Ground
3	CE	Chip Enable Pin
4	NC	No Connection
5	$V_{OUT}$	Output Pin

### Typical Application Circuit



## Absolute Maximum Ratings

- Operating Free Air Temperature Range: -40~+85°C
- Operating Junction Temperature Range: -40~+125°C
- Storage Temperature Range: -40~+125°C
- Thermal Resistance: 258°C/W Junction to Ambient
- Thermal Resistance: 82°C/W Junction to Case

Parameter	Symbol	Ratings	Units
Input Voltage	$V_{IN}$	$V_{SS}-0.3 \sim V_{SS}+7$	V
Output Voltage	$V_{OUT}$	$V_{SS}-0.3 \sim V_{IN}+0.3$	V
Output Current	$I_{OUT}$	500	mA
Power Dissipation	$P_D$	0.38	W

## Electrical Characteristics( $V_{IN}=V_{OUT}+1V$ , $C_{IN}=C_{OUT}=1\mu F$ , $T_A=25^\circ C$ , unless otherwise specified)

Parameter	Symbol	Conditions	Min.	Typ.	Max.	Units
Output Voltage	$V_{OUT(E)}^{(2)}$	$I_{OUT}=1mA$	$V_{out} \times 0.98$	$V_{out}$	$V_{out} \times 1.02$	V
Supply Current	$I_{SS}$	$I_{OUT}=0$		50	100	$\mu A$
Standby Current	$I_{STBY}$	$CE = V_{SS}$		0.1	1	$\mu A$
Output Current	$I_{OUT}$	—	500			mA
Dropout Voltage	$V_{dif}^{(3)}$	$I_{OUT} = 100mA$ $V_{OUT} \geq 3.3V$		50		mV
Load Regulation	$\Delta V_{OUT}$	$V_{IN} = V_{OUT} + 1V$ , $1mA \leq I_{OUT} \leq 100mA$		1		mV
Line Regulation		$I_{OUT} = 10mA$ $V_{OUT} + 1V \leq V_{IN} \leq 6V$		0.01	0.2	%/V
Output Voltage Temperature Characteristics		$I_{OUT} = 10mA$ $-40 \leq T \leq +85$		50		ppm
Short Current	$I_{short}$	$V_{OUT} = V_{SS}$		50		mA
Input Voltage	$V_{IN}$	—	1.8		6.0	V
Power Supply Rejection Rate	100Hz	$I_{OUT}=50mA$	PSRR	75		dB
	1kHz			80		
	10kHz			80		
CE "High" Voltage	$V_{CE"H"}$		1.5		$V_{IN}$	V
CE "Low" Voltage	$V_{CE"L"}$				0.3	V
$C_{OUT}$ Auto-Discharge Resistance	$R_{DISCHRG}$	$V_{IN}=5V, V_{OUT}=3.0V$ , $V_{CE}=V_{SS}$		60		$\Omega$

Note:

- $V_{OUT(E)}$  : Effective Output Voltage ( i.e. The output voltage when  $V_{IN} = (V_{OUT} + 1.0V)$  and maintain a certain  $I_{OUT}$  Value).
- $V_{dif}$  : The Difference Of Output Voltage And Input Voltage When Input Voltage Is Decreased Gradually Till Output Voltage Equals To 98% Of  $V_{OUT(E)}$ .

## Curve Characteristics

Fig. 1 - Output Voltage vs Input Voltage

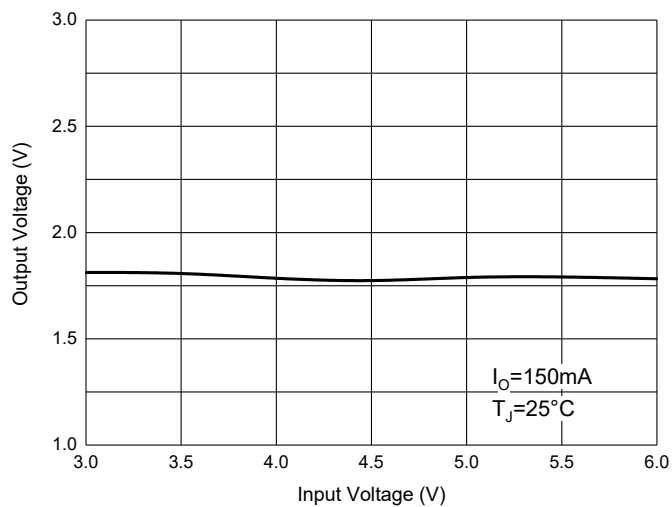


Fig. 2 - Output Voltage vs Temperature

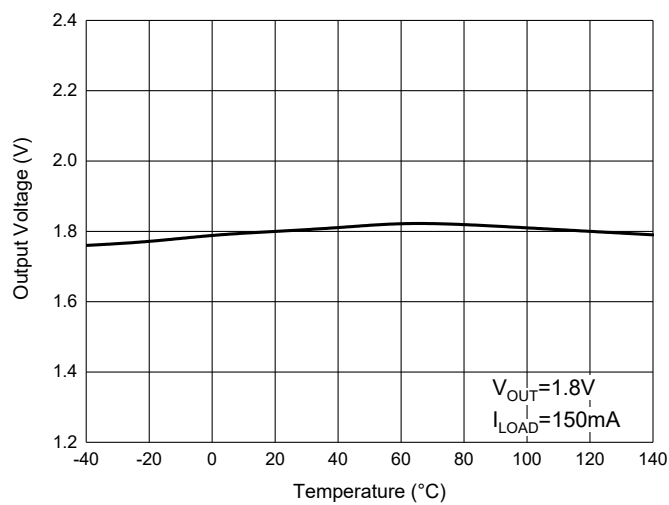


Fig. 3 - Quiescent Current

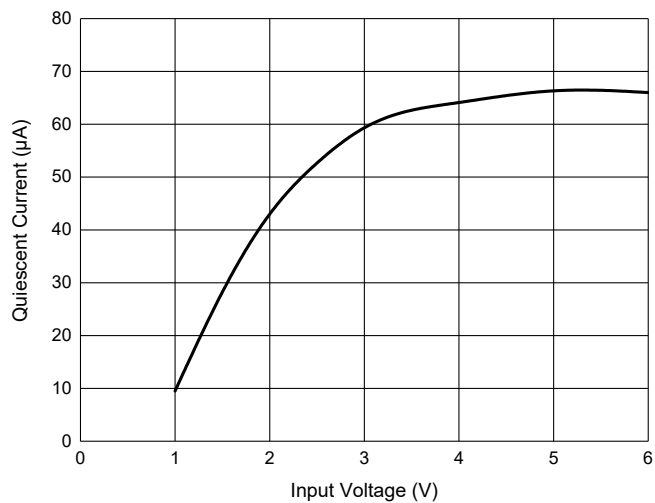


Fig. 4 - Current Cut-off Grid Voltage

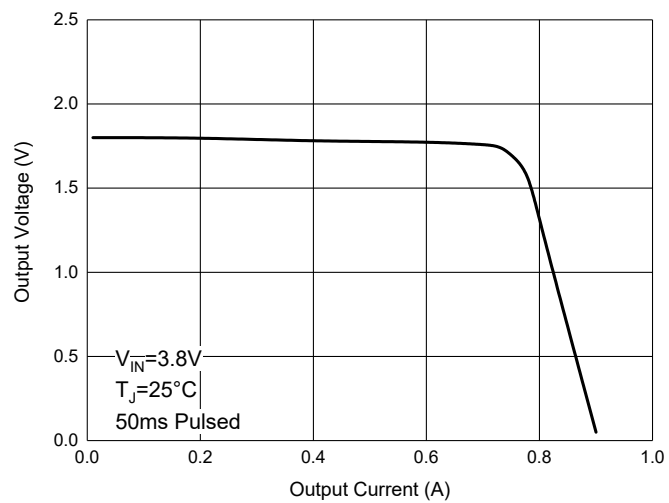
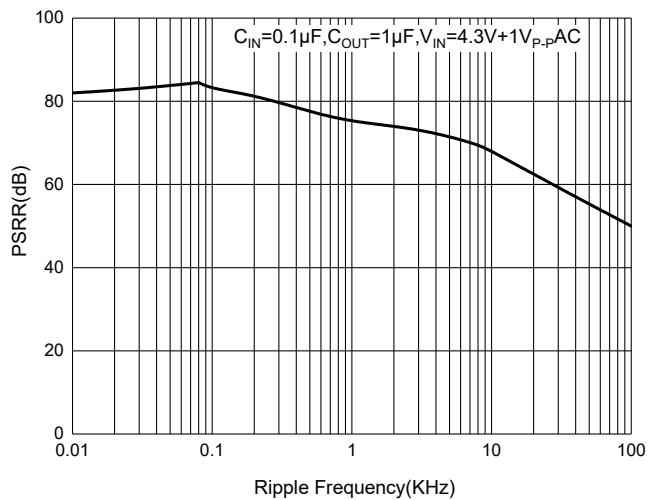


Fig. 5 - PSRR vs. Frequency



## Ordering Information

Device	Packing
Part Number-TP	Tape&Reel: 3Kpcs/Reel

**\*\*\*IMPORTANT NOTICE\*\*\***

*Micro Commercial Components Corp.* reserves the right to make changes without further notice to any product herein to make corrections, modifications , enhancements , improvements , or other changes . *Micro Commercial Components Corp.* does not assume any liability arising out of the application or use of any product described herein; neither does it convey any license under its patent rights ,nor the rights of others . The user of products in such applications shall assume all risks of such use and will agree to hold *Micro Commercial Components Corp.* and all the companies whose products are represented on our website, harmless against all damages. *Micro Commercial Components Corp.* products are sold subject to the general terms and conditions of commercial sale, as published at <https://www.mccsemi.com/Home/TermsAndConditions>.

**\*\*\*LIFE SUPPORT\*\*\***

MCC's products are not authorized for use as critical components in life support devices or systems without the express written approval of Micro Commercial Components Corporation.

**\*\*\*CUSTOMER AWARENESS\*\*\***

Counterfeiting of semiconductor parts is a growing problem in the industry. Micro Commercial Components (MCC) is taking strong measures to protect ourselves and our customers from the proliferation of counterfeit parts. MCC strongly encourages customers to purchase MCC parts either directly from MCC or from Authorized MCC Distributors who are listed by country on our web page cited below. Products customers buy either from MCC directly or from Authorized MCC Distributors are genuine parts, have full traceability, meet MCC's quality standards for handling and storage. **MCC will not provide any warranty coverage or other assistance for parts bought from Unauthorized Sources.** MCC is committed to combat this global problem and encourage our customers to do their part in stopping this practice by buying direct or from authorized distributors.