

Cree® LMH2 Family LED Modules Design Guide



TABLE OF CONTENTS

Thank You.....	2	Expected LMH2 Family LED Module Lifetime versus	
About this Design Guide.....	3	Temperature at Tc Point	10
Cautions.....	3	Available Heat Sinks.....	10
About the LMH2 Family	4	Thermal Interface Material.....	12
Electrical Design	5	Environmental Design.....	13
Protective Earth Ground.....	5	Optical Design	13
Electrostatic Discharge.....	5	Photometry	13
Dimmer Selection.....	5	Design Examples.....	14
Power Requirements.....	5	Table Lamp	14
Wiring Strain Relief.....	6	6”/8” Commercial Downlight	15
Mechanical Design.....	7	Surface Mount.....	16
Physical Characteristics of the LMH2 Family LED		Track Light	17
Modules	7	Wall Sconce	18
LMH2 Family LED Module with Flat Lens.....	7	Pendant.....	19
LMH2 Family LED Module with Dome Lens	7	Safety and Regulatory Notes.....	20
Mounting Options.....	8	Safety Certification.....	20
Thermal Design.....	9	ENERGY STAR®	20
Over-Temperature Protection	9	Module Disposal.....	20
Ambient Temperature Measurement	9		
Thermocouple Attachment Method.....	9		
Tc Measurement Method.....	10		

THANK YOU

Thank you for choosing to incorporate the LMH2 family of LED modules into your luminaire designs.

If you need assistance, Cree will support you with:

- Engineering assistance for product design and manufacturability.
- Thermal testing assistance for lifetime analysis.
- Thermal design assistance.

LMH2 family LED modules are fully functioning modules that deliver:

- TrueWhite® Technology, a revolutionary way to generate white light with LEDs that delivers high efficiency with beautiful light characteristics and color accuracy while maintaining color consistency over the life of the product.
- Industry-leading efficacy of up to 108 lm/W, measured at a case temperature (Tc) of 55 °C at steady state.
- Known and predictable correlated color temperature (CCT).
- L₇₀ of 35,000 - 50,000 hours, depending on the Tc.

Again, thank you, and we look forward to working with you.

ABOUT THIS DESIGN GUIDE

This design guide is intended to provide luminaire manufacturers an introduction to the LMH2 family of LED modules. This design guide also provides critical design guidelines for successfully integrating LMH2 family LED modules into your existing and new luminaire designs. This guide includes information pertaining to all lumen levels and dimming capabilities of the LMH2 family of modules.

- For additional information please contact your Cree modules distributor or Cree sales representative as appropriate.
- For technical information and support, visit us on the [web](#) or e-mail us at modules_support@cree.com.
- All dimensions are in millimeters unless otherwise noted.
- Dimension tolerances are as follows:
 - ◇ Angular: machined $\pm 0.5^\circ$, bend $\pm 1^\circ$.
 - ◇ All inside bend radii equal the material thickness unless otherwise noted.
 - ◇ One-place decimal number: ± 0.5 .
 - ◇ Two-place decimal number: ± 0.05 .
- 3-D models (.STEP files) for the LMH2 family light sources and optional heat sinks are available on the Cree website.¹

Cautions

- Do not power on an LMH2 family LED module when the lens is blocked, for example, when the module is face-down on a surface. Irreparable damage may occur and will void the product warranty.
- The LMH2 family light source must not be electrically connected to an energized driver, commonly referred to as hot plugging. Irreparable damage may occur and will void the product warranty.
- Wiring and electrical information in this design guide is for reference only. All installations and applications of module-based luminaires are subject to the electrical, construction and building codes in effect in the final installation location. Installation by professionals having experience in the area of electrical lighting and formal inspection by the authorities having jurisdiction (AHJ) is strongly recommended.
- Thermal characteristics of LMH2 family LED modules are affected by the luminaire and by the conditions in which the luminaire is installed. Whether a heat sink is required depends on the final luminaire design and the operating conditions surrounding the module. All final luminaire products should be evaluated in actual worst case installation conditions. Thermal limits of the module components must be maintained for warranty consideration.
- LMH2 family LED module surfaces may be hot during operation. Take care during handling to avoid burns.

Failure to follow the design guidelines in this document may void the product warranty.

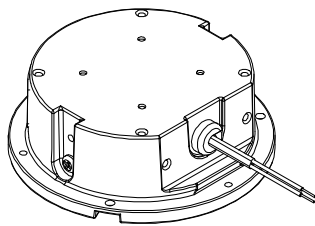
¹ Select the Documentation tab on the [LMH2 product page](#).

ABOUT THE LMH2 FAMILY

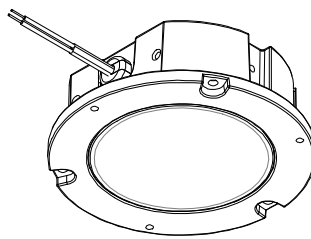
The LMH2 family of LED modules is engineered to allow lighting designers and luminaire manufacturers to quickly incorporate state-of-the-art LED technology into their luminaire designs. LMH2 family modules are complete LED lighting solutions consisting of a light source and separate power supply. Cree's light source incorporates an internal thermal management system in a single, compact form factor. The LMH2 family LED modules are designed to be used in residential and commercial lighting applications where high efficacy and color rendering index (CRI) values are important.

LMH2 Family Light Sources

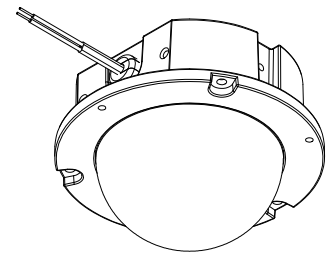
Top View



Flat Lens Option

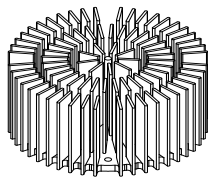


Dome Lens Option



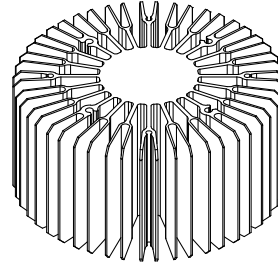
Optional Heat Sink 1

Order code LMH020-HS00-0000-0000001



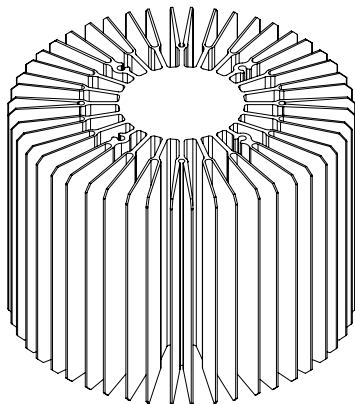
Optional Heat Sink 2

Order code LMH020-HS00-0000-0000002



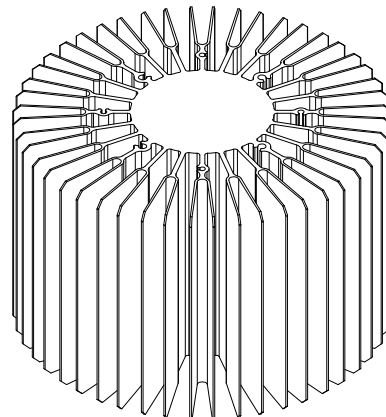
Optional Heat Sink 3

Order code LMH020-HS00-0000-0000061



Optional Heat Sink 4

Order code LMH020-HS00-0000-0000081



ELECTRICAL DESIGN

All LMH2 family LED modules are performance-optimized to operate with Cree's LED module drivers. Detailed driver dimensions and wiring diagrams can be found in the LED module driver data sheet.² The table below shows the correspondence between the LMH2 light sources and the Cree® LED module drivers. The electrical power requirements that enable a driver to operate the LMH2 family LED module are listed on page 5. However, the 5-year warranty is extended to the LMH2 family LED module only when it is used with a Cree LED module driver or a third-party qualified driver. A [Driver Solution Provider](#) listed on the Cree website can assist in finding drivers that are compatible with the LMH2 family LED modules.

Light Source	Nominal Lumens @ Tc = 55 °C *	Driver
LMH2	850	LMD125
	1250	
	2000	LMD300/LMD400
	3000	
	4000	LMD400
	6000	LMD600
	8000	LMD800

* See the Thermal Design section for more information.

The LMH2 family LED module lead wires are 200 mm long, 22 AWG with the ends stripped 10 mm.

Caution - Do not connect a light source to a driver when the driver is energized, commonly known as hot-plugging. Connecting a light source to an energized driver can damage the light source and will void the warranty.

Protective Earth Ground

An LMH2 family LED module must be properly earth grounded. A secure electrical connection must be made between the cast housing or heat sink mounting screws and the luminaire's protective earth ground connection.

Electrostatic Discharge

No special electrostatic discharge (ESD) precautions are required for handling LMH2 family LED modules in a production environment.

Dimmer Selection

Electronic low voltage (ELV) dimming controls have demonstrated repeatable and acceptable performance when used with Cree® LED modules and Cree LED module drivers in test conditions. Cree testing has shown that ELV controls operate LMH2 products satisfactorily in most applications. Regardless of the type of dimming control used with an LMH2 family LED module or LMD driver, Cree recommends testing the luminaire to verify that its dimming performance is satisfactory.

Power Requirements

LMH2 family LED modules provide consistent color across the entire dimming range. Following are the electrical power requirements for a driver to dim LMH2 family LED modules.

² [Cree LMD125 LED Module Drivers Data Sheet](#)
[Cree LMD300, LMD400 & LMD600 LED Module Drivers Data Sheet](#)
[Cree LMD800 LED Module Driver Data Sheet](#)

LMH2 Light Source	Open Circuit Voltage (VDC)	Nominal Output Current $\pm 10\%$ (mA)	Minimum Output Voltage (VDC)	Maximum Output Voltage (VDC)	Ripple Current (mA)	Peak Current (mA)
850 lm	≤ 60	440	≤ 19	≥ 23	$\leq 40\%$	≤ 1000
1250 lm	≤ 60	440	≤ 29	≥ 34	$\leq 40\%$	≤ 1000
2000 lm	≤ 60	900	≤ 22	≥ 26	$\leq 40\%$	≤ 2000
3000 lm	≤ 60	900	≤ 33	≥ 38	$\leq 40\%$	≤ 2000
4000 lm	≤ 60	940	≤ 35.5	≥ 43	$\leq 40\%$	≤ 2000
6000 lm	≤ 60	1700	≤ 38	≥ 46	$\leq 40\%$	≤ 2100
8000 lm	≤ 60	2000*	≤ 41	≥ 52	$\leq 40\%$	≤ 2650

* +5%, -10%

LMH2+ Light Source	Open Circuit Voltage (VDC)	Nominal Output Current $\pm 10\%$ (mA)	Minimum Output Voltage (VDC)	Maximum Output Voltage (VDC)	Ripple Current (mA)	Peak Current (mA)
1250 lm	≤ 60	450	≤ 29	≥ 25	$\leq 40\%$	≤ 750
2000 lm	≤ 60	450	≤ 22	≥ 38.5	$\leq 40\%$	≤ 940
3000 lm	≤ 60	600	≤ 33	≥ 44	$\leq 40\%$	≤ 1000

Wiring Strain Relief

LMH2 family LED modules must not be suspended directly by the leads. Though the wiring from the LMH2 family light source is internally strain relieved, additional strain relief methods must be employed if the luminaire is to be suspended solely by the wiring, as in a pendant luminaire.

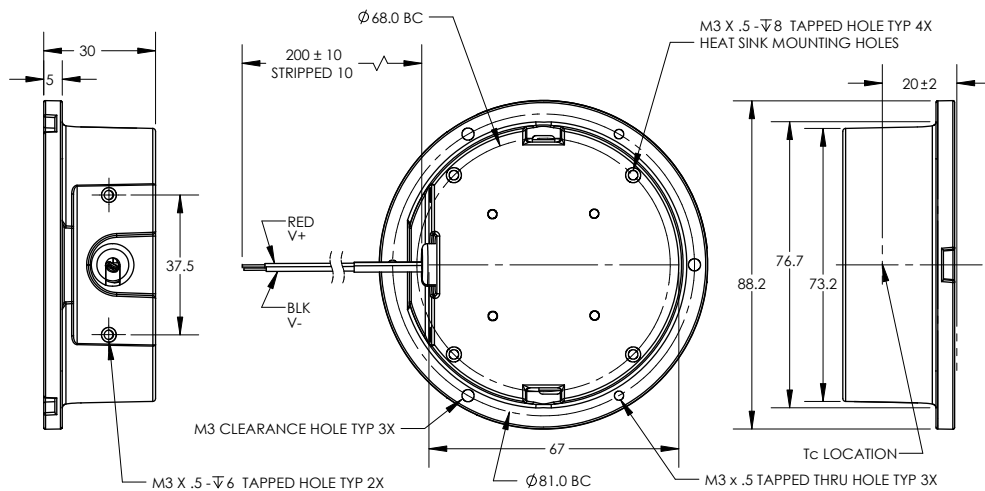
MECHANICAL DESIGN

The compact form factor of the LMH2 family LED modules allows the module to be easily incorporated into new and existing lighting designs.

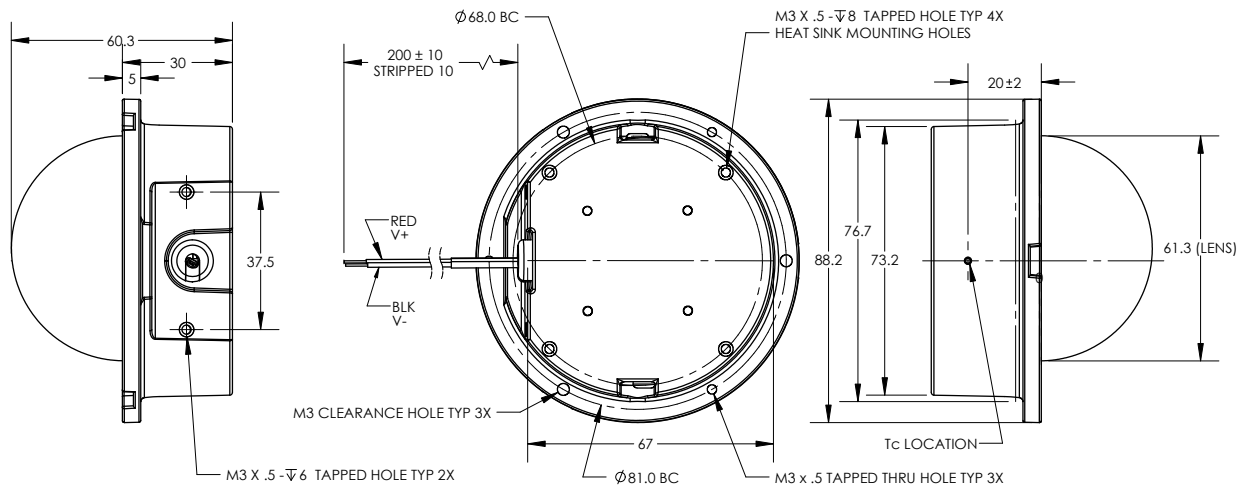
Physical Characteristics of the LMH2 Family LED Modules

Physical Characteristic	Light Source with Flat Lens	Light Source with Dome Lens	Optional Heat Sink 1	Optional Heat Sink 2	Optional Heat Sink 3	Optional Heat Sink 4
Weight (g)	178	190	160	440	1055	1268
Maximum height (mm)	30	60.3	40	55	100	100
Maximum diameter/width (mm)	88.2	88.2	87.2	110	138	153
Lens aperture (mm)	58	61.3	-	-	-	-

LMH2 Family LED Module with Flat Lens³



LMH2 Family LED Module with Dome Lens



Note - The flange of the LMH2 has the same mechanical dimensions as in the LMR2 product line.

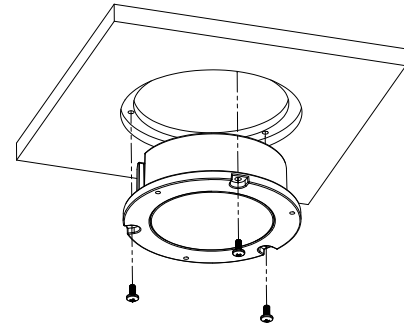
³ Dimensions for the LMH2 diagrams are in mm and are for reference only. For exact dimensions and tolerances, refer to the 3-D models (.STEP files) for the LMH2 family light sources available by selecting the Documentation tab on the [LMH2 product page](#).

Mounting Options

The LMH2 family LED modules have been engineered for multiple mounting options, provided the thermal design guidelines are followed and the temperature at the Tc point remains below the specified maximum. (See the Thermal Design section for details.) There are four (4) options for properly securing the LMH2 family LED module to the luminaire. For technical assistance in determining which option is best for a particular design, please contact the Cree Modules team directly at modules_support@cree.com.

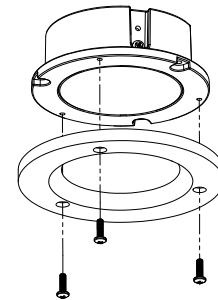
Option 1

Three (3) through-holes in the casting face are recessed in 3.5 mm by 9.5 mm slots. The holes provide clearance for M3 screws. The slots are 120° apart. The holes are on an 81.0-mm bolt circle and the slots are suitable for locking a keyed reflector or mounting your components in place.



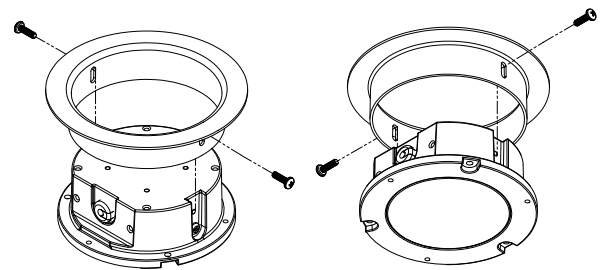
Option 2

Three (3) tapped M3-0.5 holes are in the casting face. The holes are 120° apart, on an 81.0-mm bolt circle and are suitable for mounting a cone or flange.



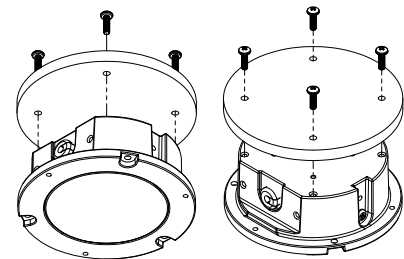
Option 3

Two (2) vertical slots are 180° apart in the side of the casting. Each slot has a minimum width of 8.0 mm and is recessed 3.9 mm into the casting with two (2) tapped M3-0.5 mounting holes in each side. Each hole is 20.1 mm above the mounting face.



Option 4

Four (4) tapped M3-0.5 x 8 holes are in the upper casting face. The holes are 90° apart, on a 68.0-mm bolt circle and are suitable for mounting a cone to the module or the module to a plate or a custom heat sink.



THERMAL DESIGN

LMH2 family LED modules are designed to perform in a variety of environments and their expected lifetimes are highly dependent on their operating temperature. The LMH2 family light source is designed to transfer heat away from the LEDs through the housing. When designing a luminaire that incorporates an LMH2 family LED module, careful consideration must be taken to ensure a sufficient thermal path to ambient is provided. Verification of a proper thermal path is done through the placement of a thermocouple at the specified Tc location. The LMH2 family light source must not exceed 70 °C at the Tc point in thermal equilibrium to ensure proper performance and expected lifetime and to maintain warranty terms.

The use of a heat sink will increase thermal performance in luminaire designs and help meet minimum expected lifetimes. A heat dissipation path is required; the LMH2 family of modules should not be operated without a properly tested heat dissipation path. Luminaire designs with a direct thermal path to ambient are desired and will provide the best results.

LEDs and LED modules are affected by their thermal environment. Nominal lumen values are typical at a Tc of 55 °C and subject to a build tolerance of $\pm 10\%$. As the Tc rises, the optical performance of the module decreases. The acceptable Tc operating range of the LMH2 family LED module, based on current thermal loss testing technology, is 0-70 °C.

Photometric testing should be performed in situ.

Over-Temperature Protection

The LMH2 family light source contains over-temperature protection that shuts down the light source if the monitored temperature on the LED board exceeds safety limits. If this occurs, cycle the power to the driver to resume operation. If the module shuts down repeatedly, the thermal design of the luminaire should be reviewed.

Ambient Temperature Measurement

The ambient temperature of the test environment must be monitored and recorded with the required data during a temperature test. The preferred ambient temperature measurement apparatus is described in UL1598-2008 Rev January 11, 2010, Section 19.5. The intent of this requirement is to ensure that the temperature monitored does not fluctuate. The ambient temperature of the space must be $25\text{ °C} \pm 5\text{ °C}$. Note that bare thermocouple wires in open air is not an acceptable method of recording the ambient temperature.

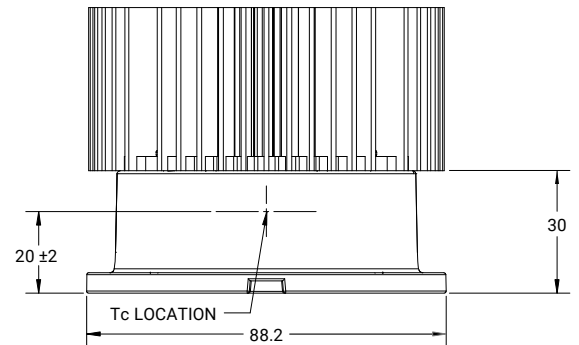
Thermocouple Attachment Method

Attach a thermocouple to the indicated Tc location. The attachment method described in UL1598-2008 Rev January 11, 2010, Section 19.7.4 is preferred; using silver-filled thermal epoxy is an acceptable alternative. Ensuring that the tip of the thermocouple properly contacts the module at the Tc location and that the attachment method does not add thermal resistance to the test is critical to correct and acceptable testing.

Note - Quick-drying adhesives and other cyanoacrylate-based products are known to be destructive, over time, to the components and adhesives used in solid-state lighting products. The use of cyanoacrylate-based products is at the discretion of the testing organization. Cyanoacrylate adhesives should not be used in any luminaire design or for any long-term testing. Refer to Cree's [Chemical Compatibility application note](#) for compounds that are safe to use with Cree LEDs.

Tc Measurement Method

Once the thermocouple is properly attached at the Tc location, assemble the module into the luminaire. The luminaire must then be tested in its intended environment or that environment which will result in the highest recorded temperature. Take care during assembly to ensure that the thermocouple remains properly attached. Energize the luminaire and allow the assembly to reach thermal equilibrium. Thermal stabilization may require up to 7.5 hours, depending on the mechanical design. Once thermal equilibrium is achieved, record the room ambient and case temperatures. Acceptable test results require the ambient temperature to be between 20 °C and 30 °C (25 °C ± 5 °C). Recorded variations above or below 25 °C must be added to or subtracted from the recorded temperatures. The table below can be used to determine the expected luminaire operating life.



Tc location is midway up the casting side and approximately 90° from the mounting slots.

Expected LMH2 Family LED Module Lifetime versus Temperature at Tc Point

Expected Operation Life (Hours)	Tc (°C) @ 25 °C Room Ambient
	LMH2 Family Light Source
35,000	70
50,000	60

The table below shows the typical Tc of the LMH2 family light source when attached to one of the optional heat sinks, after thermal stabilization in a 25 °C environment with the light source suspended face down.

Light Source	Tc (°C)			
	Optional Heat Sink 1	Optional Heat Sink 2	Optional Heat Sink 3	Optional Heat Sink 4
850 lm	39.9	35.1	NA	NA
1250 lm	44.4	40.0	NA	NA
2000 lm	56.8	43.0	NA	NA
3000 lm	69.5	51.7	NA	NA
4000 lm	NA	55.7	NA	NA
6000 lm	NA	NA	61.2	57.4
8000 lm	NA	NA	NA	64.2

NA = not applicable

The use of a thermal interface material between the heat sink and the module can result in a decrease in case temperature. Environmental conditions around the module and the specific thermal interface material can greatly affect the Tc. Thermal testing is strongly recommended.

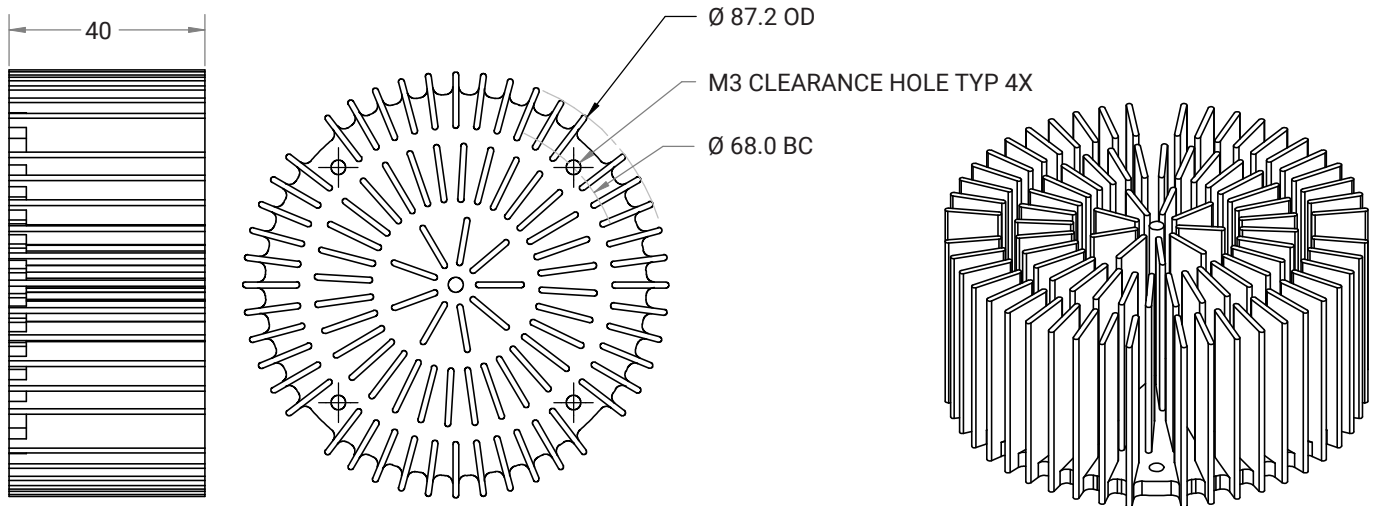
Available Heat Sinks

Cree designed three optional heat sinks for use with both the LMH2 family light sources. These heat sinks, available from Cree, provide a simple and cost-effective method to improve the LMH2 family module thermal performance in various applications. Each heat sink

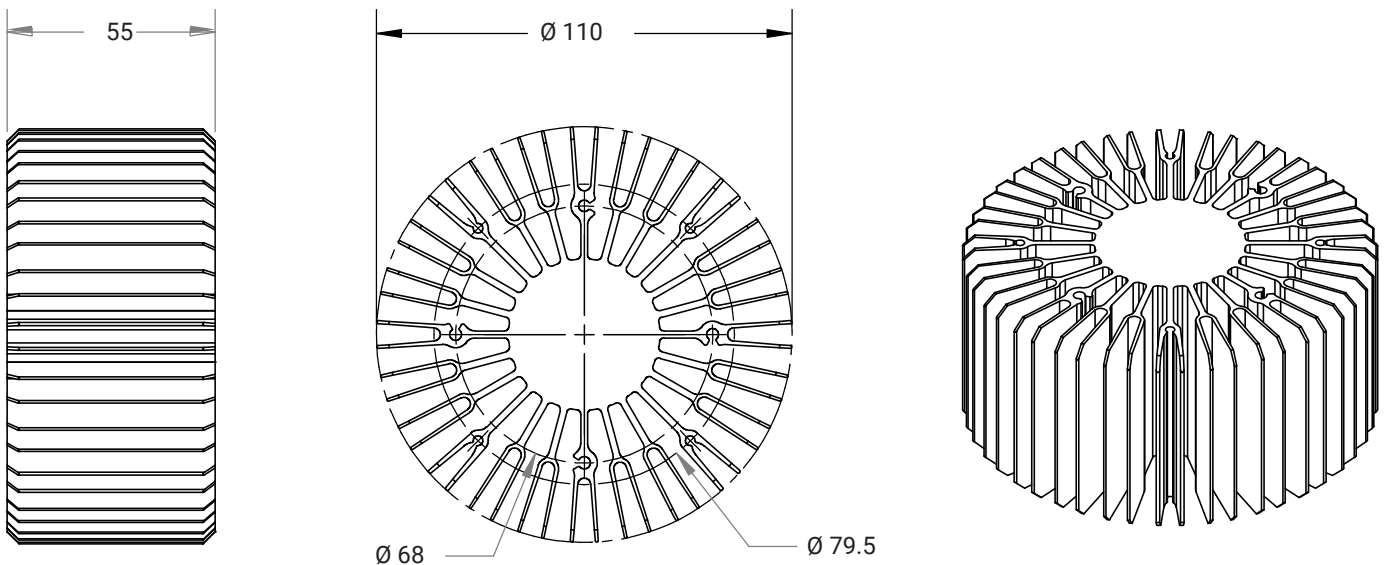
attaches to the upper face of the module with four (4) screws, included in the purchase of the heat sink.⁴ Most luminaire designs, regardless of source lumens, require the additional heat dissipation that can be provided by a heat sink. The use of a thermal interface material between the LMH2 family LED module housing and the heat sink can improve a luminaire's thermal performance.

A luminaire manufacturer is free to develop a custom heat sink. Proper operation of the heat sink requires it to be mounted to the module with four (4) screws at 90°. Failure to follow this hole pattern may result in uneven cooling of the module and unpredictable thermal performance.

Optional Heat Sink 1⁵ - order code LMH020-HS00-0000-0000001

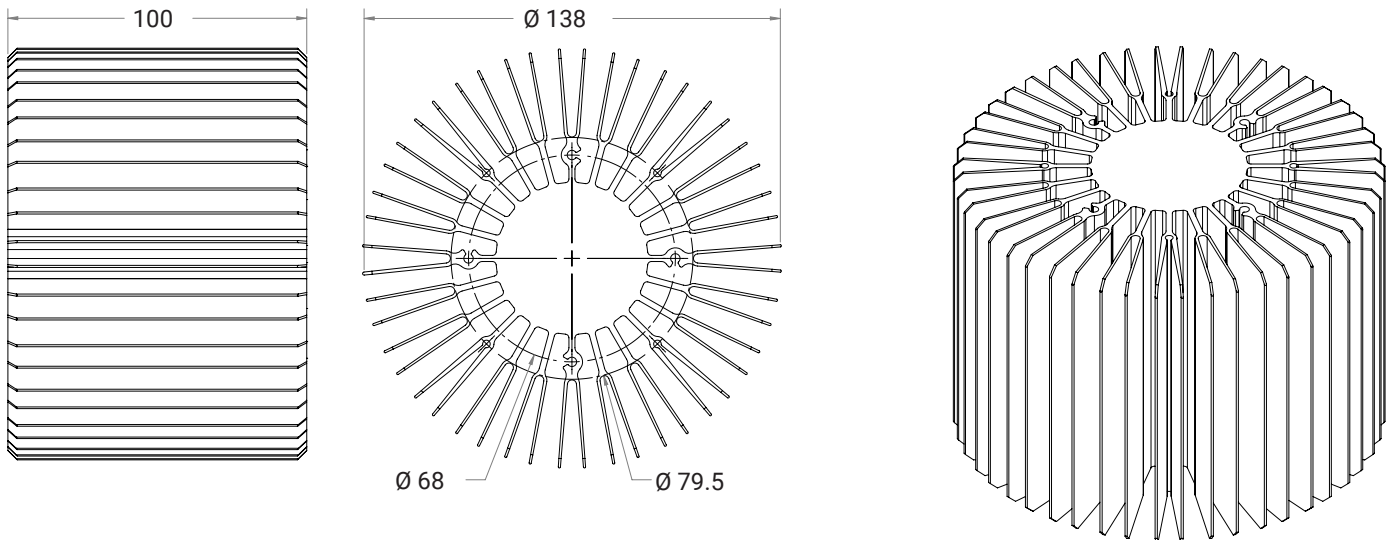


Optional Heat Sink 2 - order code LMH020-HS00-0000-0000002

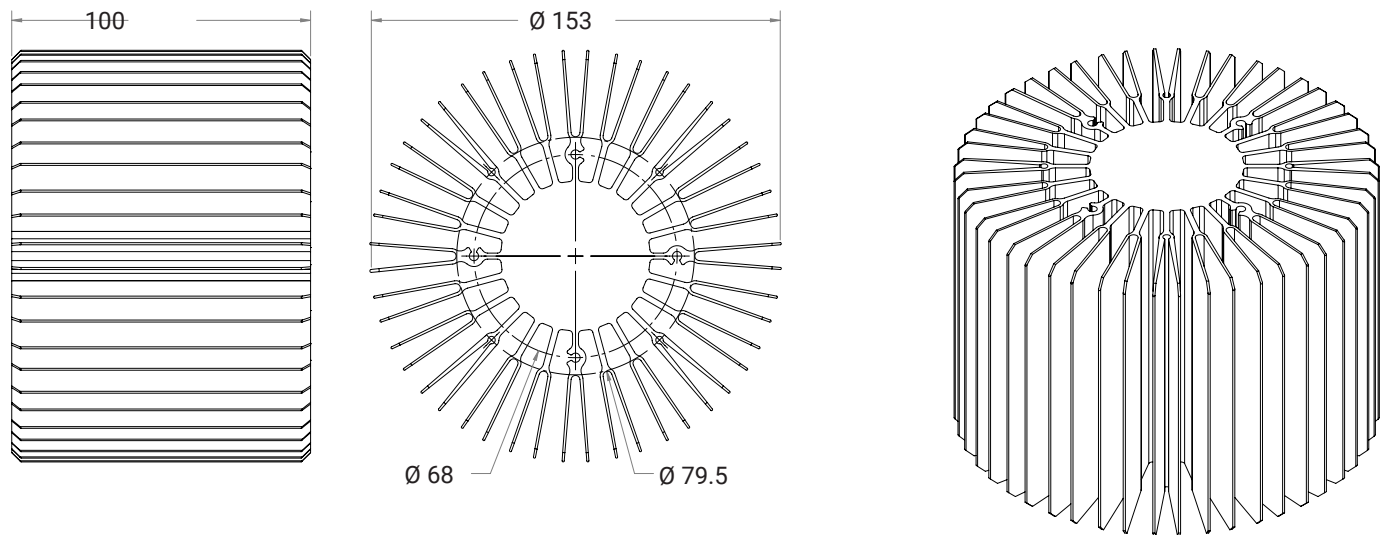


⁴ Optional heat sink 1 attaches with M3-0.5 x 8 screws. Optional heat sink 2 attaches with M3-0.5 x 60 screws. Optional heat sinks 3 and 4 attach with M3-0.5 x 106 screws.
⁵ Dimensions for the heat sink diagrams are in mm and are for reference only. For exact dimensions and tolerances, refer to the 3-D models (.STEP file) for the optional heat sinks available by selecting the Documentation tab on the LMH2 product page.

Optional Heat Sink 3 - order code LMH020-HS00-0000-0000061



Optional Heat Sink 4 - order code LMH020-HS00-0000-0000081



Thermal Interface Material

Cree has worked closely with [Bergquist](#), one of Cree's [Thermal Solution Providers](#), and [WPG](#), one of Cree's distributors, to provide die-cut thermal interface material (TIM) pads for the LMH2 family LED modules. Pads are provided for both the back and for the front face of the LMH2 family LED module. Take care to ensure that a pad does not contact the LMH2 lens when applying these pads.

TIM Pad	Part Number	
	Bergquist	WPG
Back of LMH2 family LED module	BG430355	RBCP-100776-PACK
Front face of family LMH2 LED module	BG430356	

ENVIRONMENTAL DESIGN

LMH2 family LED modules are suitable for damp locations and is rated IP-20. If an LMH2 family LED module is to be used in an outdoor luminaire classified other than “suitable for damp location; covered ceilings,” the luminaire manufacturer must ensure proper intrusion protection and appropriate regulatory-compliance testing.

OPTICAL DESIGN

LMH2 family LED modules are supplied with a lens to provide a uniform light source. To maintain the warranty and for proper performance, the lens and reflector cone must not be altered or removed from the LMH2 family LED module. A secondary optic is not required. If a secondary optic is used, the following trade-offs may occur:

- Reduced light output (luminous flux).
- Reduced efficacy (lumens/watt).
- Possible changes in color characteristics (CCT, CRI).

Cree offers 4-in/110-mm, 6-in/150-mm and 8-in/190-mm reflectors in diffuse, white, semi-specular and faceted, specular finishes. See the [Reflectors for Cree LMH2 LED Modules Product Guide](#) for details.

Photometry

IES (LM-63-2002) files and the optical source model for the LMH2 family LED module are available on the Cree website.⁶

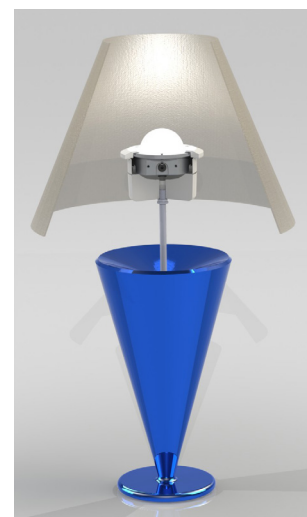
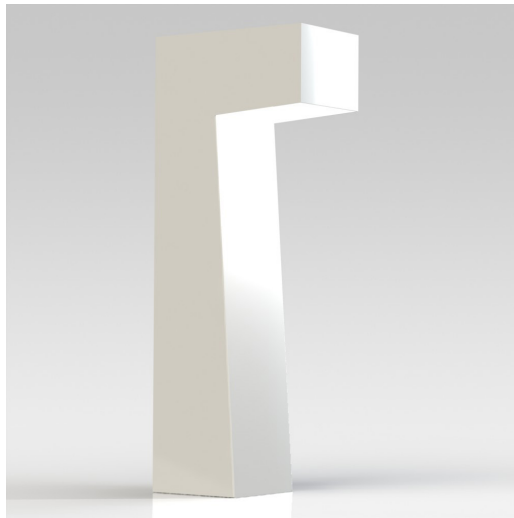
⁶ Select the Documentation tab on the [LMH2 product page](#).

DESIGN EXAMPLES

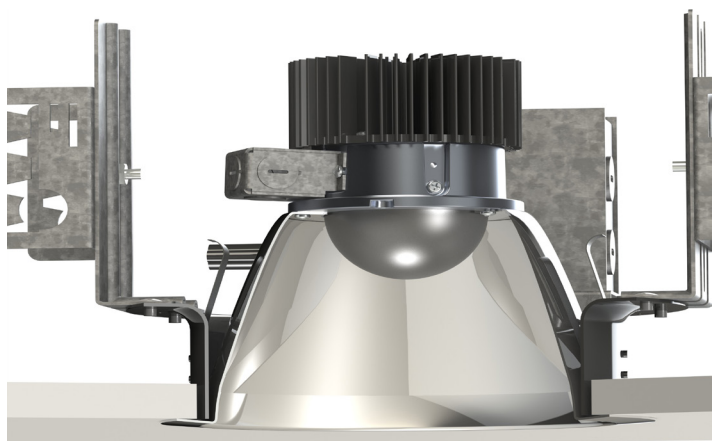
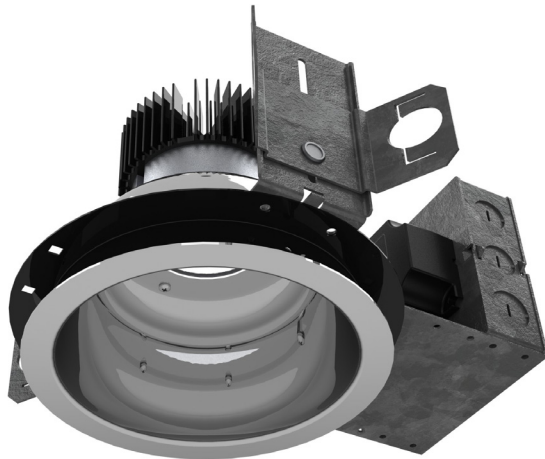
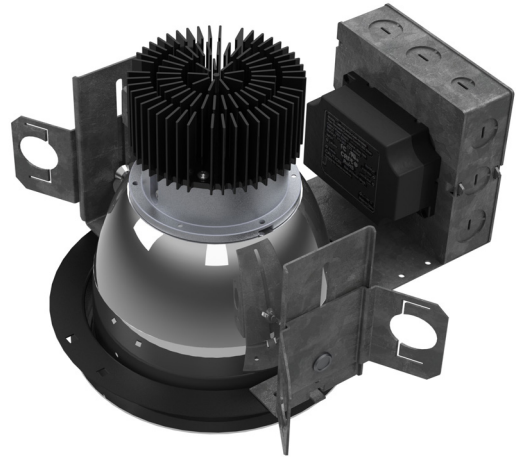
This section contains design proposals for luminaires that incorporate the LMH2 family LED module. Please note the various attachment methods employed.

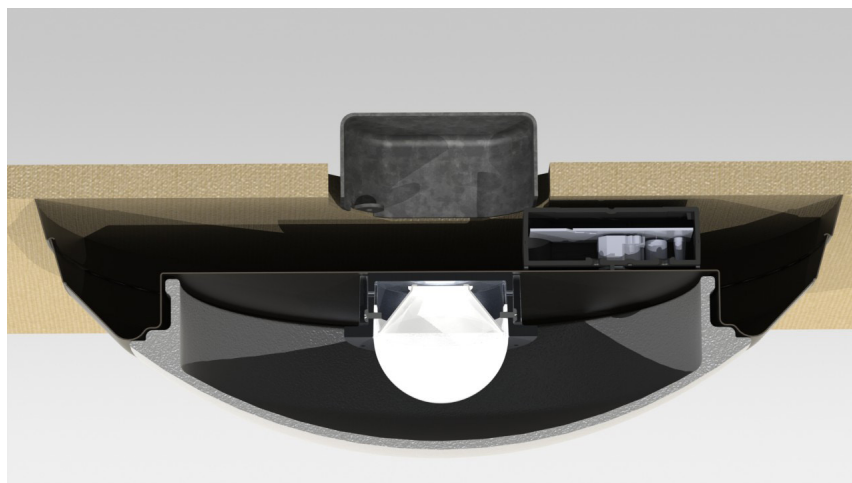
Note - The examples depicted below are conceptual only. The inclusion of a concept in this group does not imply agency approval. The exclusion of any concept from this group should not be seen as a limitation. These examples are not proprietary or protected and may be reproduced wholly or in part as desired by a given luminaire manufacturer. Final agency approval(s) and confirmation of acceptable operating parameters is solely the responsibility of the luminaire manufacturer.

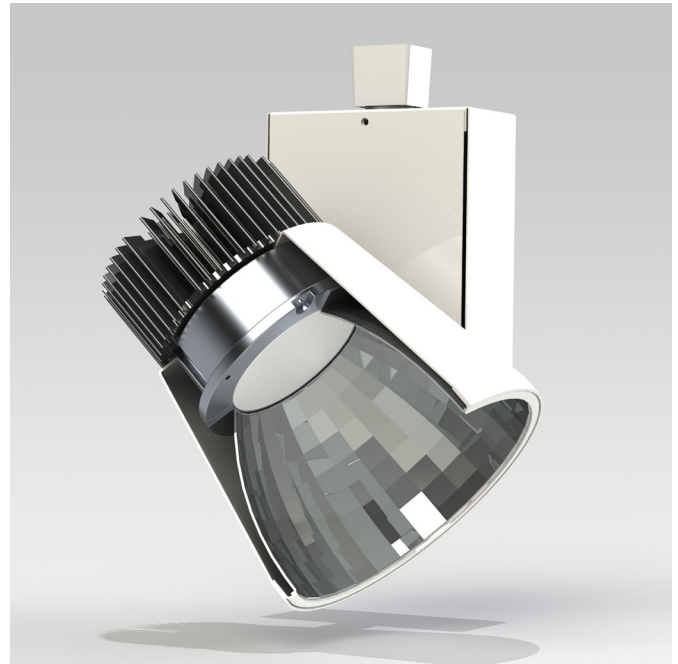
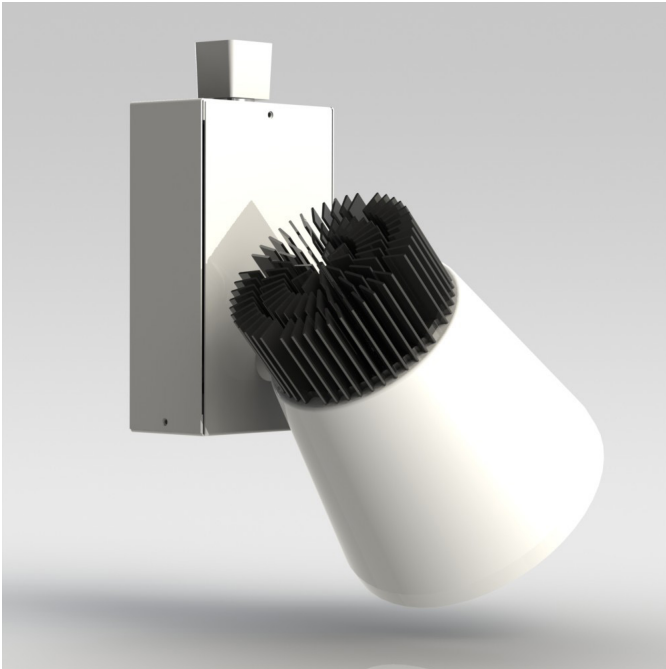
Table Lamp

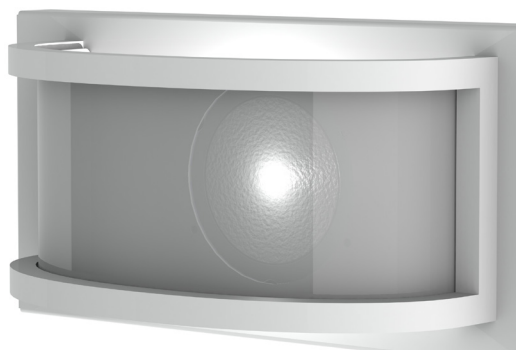


6"/8" Commercial Downlight

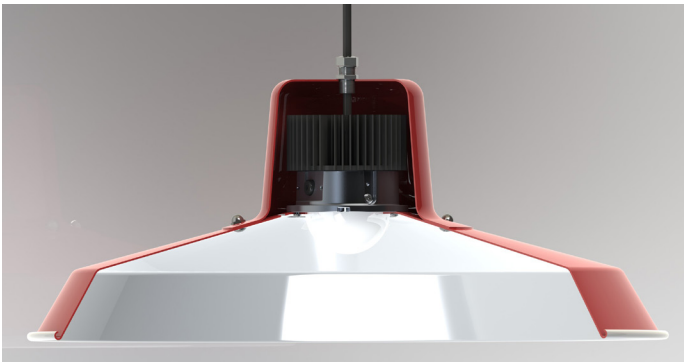
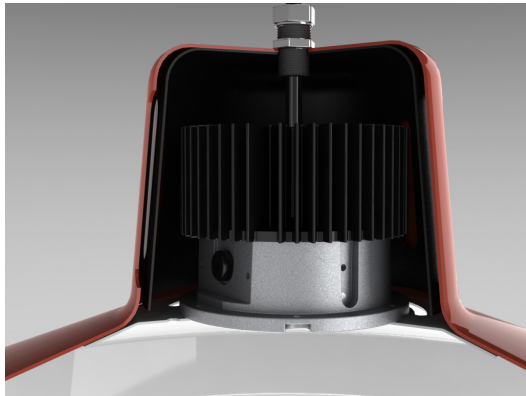


Surface Mount

Track Light

Wall Sconce

Pendant



SAFETY AND REGULATORY NOTES

Caution - Do not look directly into an LMH2 family light source in operation! Eye injury can result. For more information about LEDs and eye safety, please refer to the [LED Eye Safety application note](#).

The following table shows the safety and regulatory certifications for the LMH2 family light sources.

	Standard		File Number	
Safety	UL@/cUL recognized (UL8750)	E337484		
	IEC 60598-1 (lens glow wire)			
	EN62471	850 lm		RSZ111109550-03
		1250 lm		RSZ111109551-03
		2000 lm		RSZ120312550-03
		3000 lm		RSZ120312551-03
	EN62031	850 lm		RSZ120410550-03
		1250 lm		RSZ120410551-03
		2000 lm		RSZ120327550-03
		3000 lm		RSZ120327550-03
		4000 lm		CB certificate SE-74074 CB report 101264122CHI-001
		6000 lm		CB certificate SE-74074 CB report 101264122CHI-001
		8000 lm		CB certificate SE-74074 CB report 101264122CHI-001
Electromagnetic compatibility	EN 55015			
	IEC 61000-3-2	850 lm 1250 lm	RSZ111109550-01M1 RSZ111109551-01M1	
	IEC 61000-3-3	2000 lm 3000 lm	RSZ120312550-01M1 RSZ120312551-01M1	
	IEC 61547			
	FCC 47 CFR Part 15 Class B/ICES 003			
Environmental	RoHS			

Safety Certification

Together, an LMH2 family light source combined with a Cree LED module driver is “suitable for damp locations; covered ceilings.” Final luminaire designs should go through safety certification as required, which is the responsibility of the luminaire manufacturer.

ENERGY STAR®

ENERGY STAR® is a U.S. government-backed program that defines energy-efficiency standards for products. Qualification of a final luminaire design for ENERGY STAR certification is the responsibility of the luminaire manufacturer. The final luminaire must be submitted for testing to an independent, certified test facility. Cree can and will assist in the process by providing LM-80 component data for submission to ENERGY STAR.

Note - If a luminaire incorporating the LMH2 3000-lm light source will be submitted to ENERGY STAR, a Tc maximum of 68 °C is required.

Module Disposal

LMH2 family LED modules should be disposed of properly at the end of their useful lifetime in accordance with local regulations. LMH2 family LED modules are classified as “Electronic Equipment.”