

6

5

4

3

2

1

D

D

C

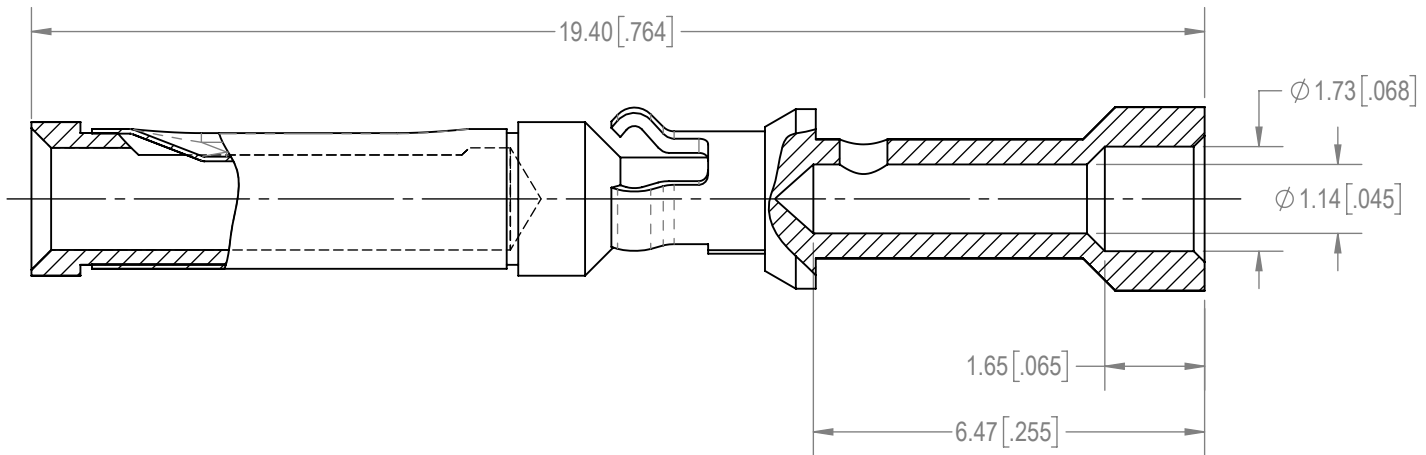
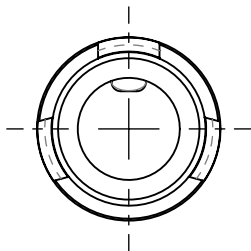
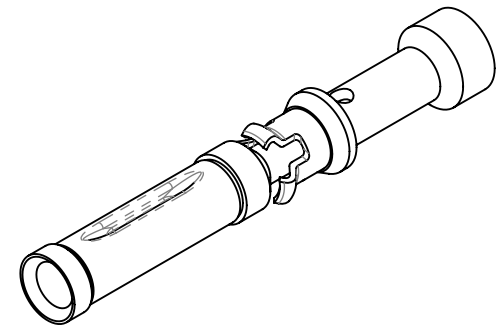
C

B

B

A

A



NOTES:

1. MATERIAL AND FINISHES:
 CONTACT: PRECISION MACHINED COPPER ALLOY, GOLD FLASH OVER NICKEL PLATE.
 SPRING CLIP: BERYLLIUM COPPER, GOLD FLASH OVER NICKEL PLATE.
 RETAINER: BERYLLIUM COPPER, NICKEL PLATE.
2. DETAILED PRODUCT, MECHANICAL AND ELECTRICAL INFORMATION IS AVAILABLE IN THE LATEST STANDARD DENSITY RECTANGULAR PRODUCT PUBLICATION AT CONNECTPOSITRONIC.COM
3. CRIMPING TOOL INFORMATION IS AVAILABLE AT WWW.CONNECTPOSITRONIC.COM/CrimpToolCrosslist.
4. PRODUCT IS COMPLIANT TO THE CURRENT RoHS DIRECTIVE.

BY SB	CHK EB	3RD ANGLE 	POSITRONIC BELIEVES THE DATA ON THE DRAWING TO BE RELIABLE. THE USER EMPLOYS SUCH INFORMATION AT HIS OWN DISCRETION AND RISK. POSITRONIC ASSUMES NO RESPONSIBILITY FOR RESULTS OBTAINED OR DAMAGES INCURRED FROM USE OF SUCH INFORMATION IN WHOLE OR IN PART.	
APR PA	RELEASED DATE: 2020-07-20	SCALE NTS		
TOLERANCES ±0.03mm [0.01 INCHES] FOR MALE CONTACT MATING DIAMETERS ±0.08mm [0.003 INCHES] FOR CONTACT TERMINATION DIAMETERS ±0.13mm [0.005 INCHES] FOR ALL OTHER DIAMETERS ±0.38mm [0.015 INCHES] FOR ALL OTHER DIMENSIONS ±5° FOR ALL ANGLES DIMENSION ARE IN MILLIMETERS [INCHES]			PART NUMBER FC120N2/AA	SERIES GMCT
			TITLE FC120N2/AA	
CREATED ON: 2020-07-04		SHEET SHEET 1 OF 1	REV A	

6

5

4

3

2

1