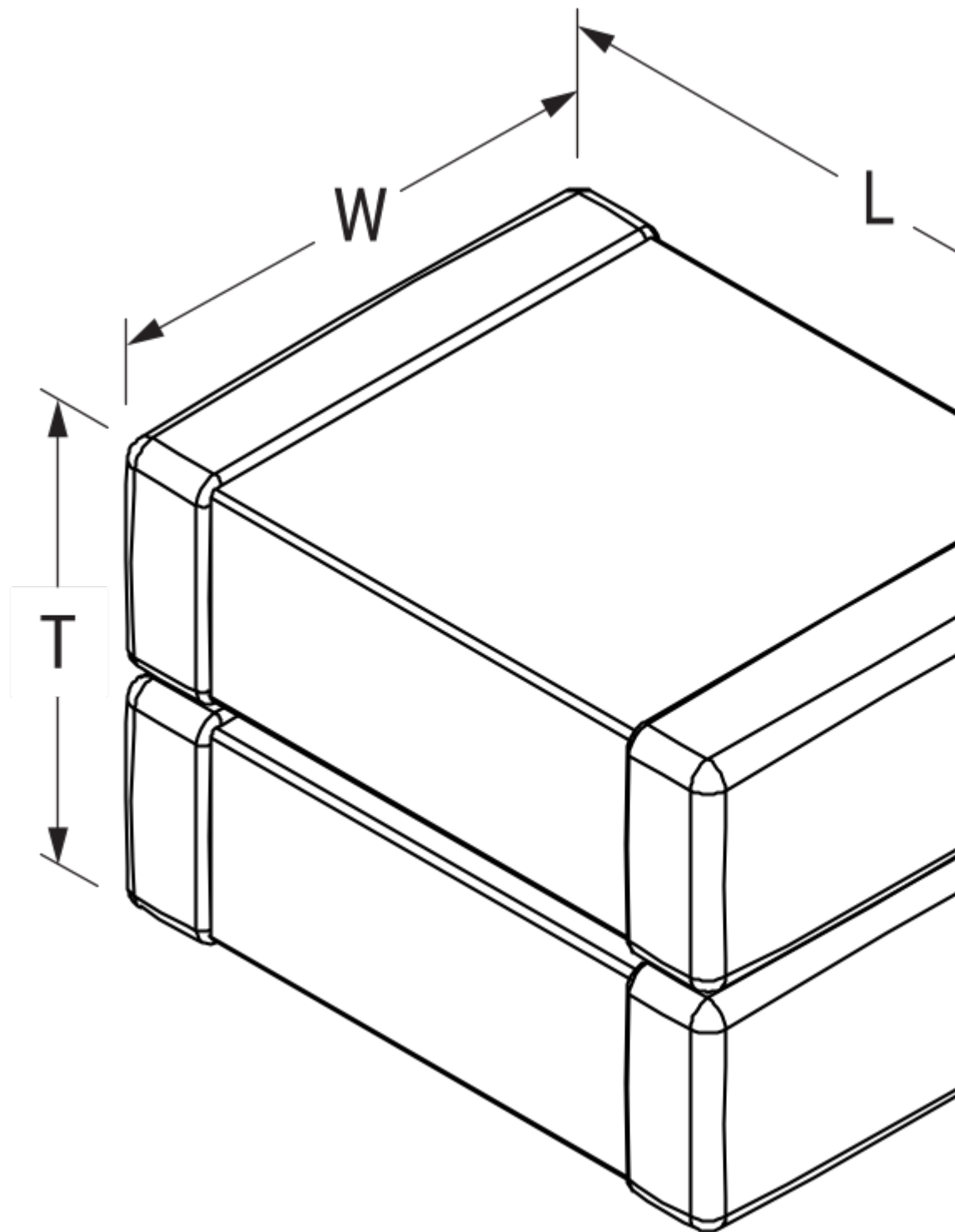


# C2220X205M1RLCTU

## Aliases (C2220X205M1RLC7800)

KONNEKT Comm X7R, Ceramic, 2 uF, 20%, 100 VDC, X7R



Click [here](#) for the 3D model.

### Dimensions

L 5.9mm +/-0.75mm

W 5mm +/-0.4mm

T 3.1mm +/-0.3mm

## Dimensions

B 0.7mm +/-0.35mm

## Packaging Specifications

Packaging T&R, 180mm, Plastic Tape

Packaging Quantity 500

## General Information

Series KONNEKT Comm X7R  
Style KONNEKT  
Description SMD, MLCC, KONNEKT, Ultra-Stable, Class II  
Features High Density Packaging  
RoHS Yes  
Termination Flexible Termination  
AEC-Q200 No  
Component Weight 466.7 mg  
Chip Size 2220-2  
Shelf Life 78 Weeks  
MSL 1

## Specifications

Capacitance	2 uF
Measurement Condition	120 Hz 0.5Vrms
Capacitance Tolerance	20%
Voltage DC	100 VDC
Dielectric Withstanding Voltage	250 VDC
Temperature Range	-55/+125°C
Temperature Coefficient	X7R
Capacitance Change with Reference to +25°C and 0 VDC Applied (TCC)	15%, 120Hz 0.5Vrms
Dissipation Factor	2.5% 120 Hz 0.5Vrms
Aging Rate	3% Loss/Decade Hour
Insulation Resistance	250 MOhms

Statements of suitability for certain applications are based on our knowledge of typical operating conditions for such applications, but are not intended to constitute - and we specifically disclaim - any warranty concerning suitability for a specific customer application or use. This Information is intended for use only by customers who have the requisite experience and capability to determine the correct products for their application. Any technical advice inferred from this Information or otherwise provided by us with reference to the use of our products is given gratis, and we assume no obligation or liability for the advice given or results obtained.

Generated 5/18/2023 - 695f4a07-3462-47fe-ba2a-1790ac9eb803

© 2006 - 2023 KEMET

Generated 5/18/2023 - 695f4a07-3462-47fe-ba2a-1790ac9eb803

© 2006 - 2023 KEMET