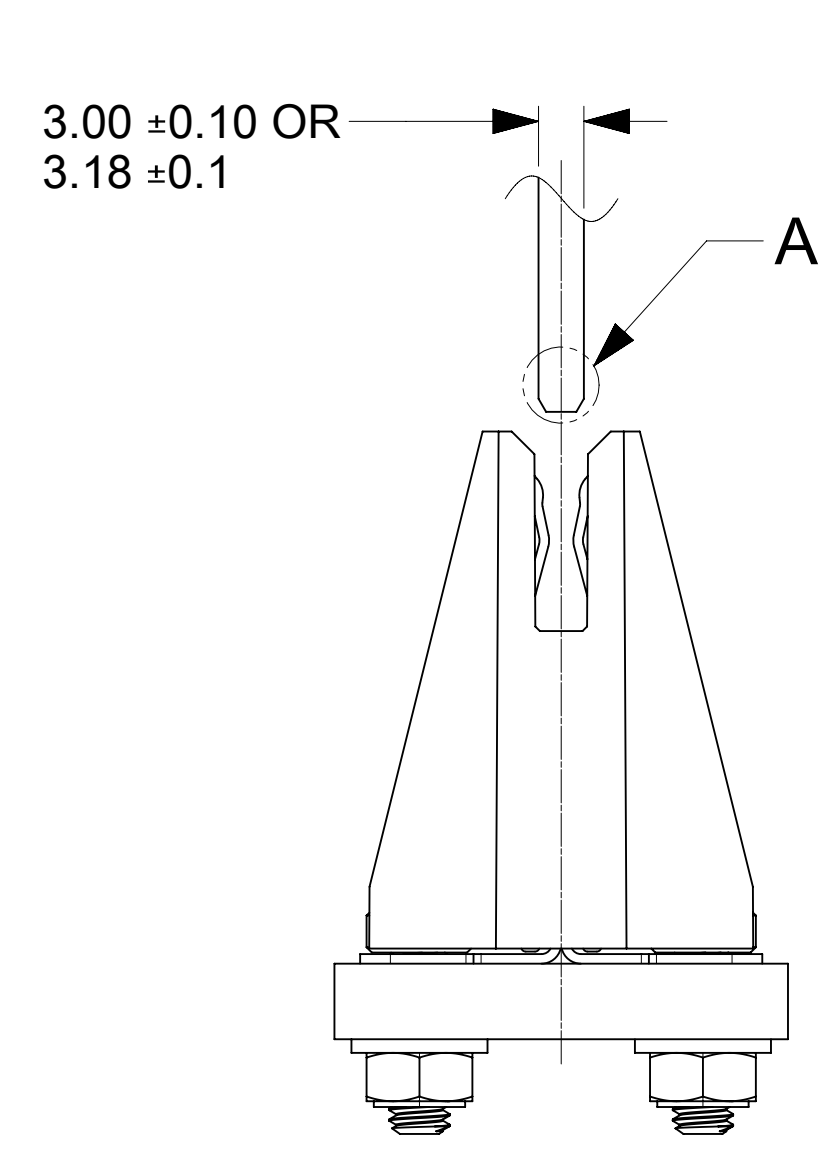
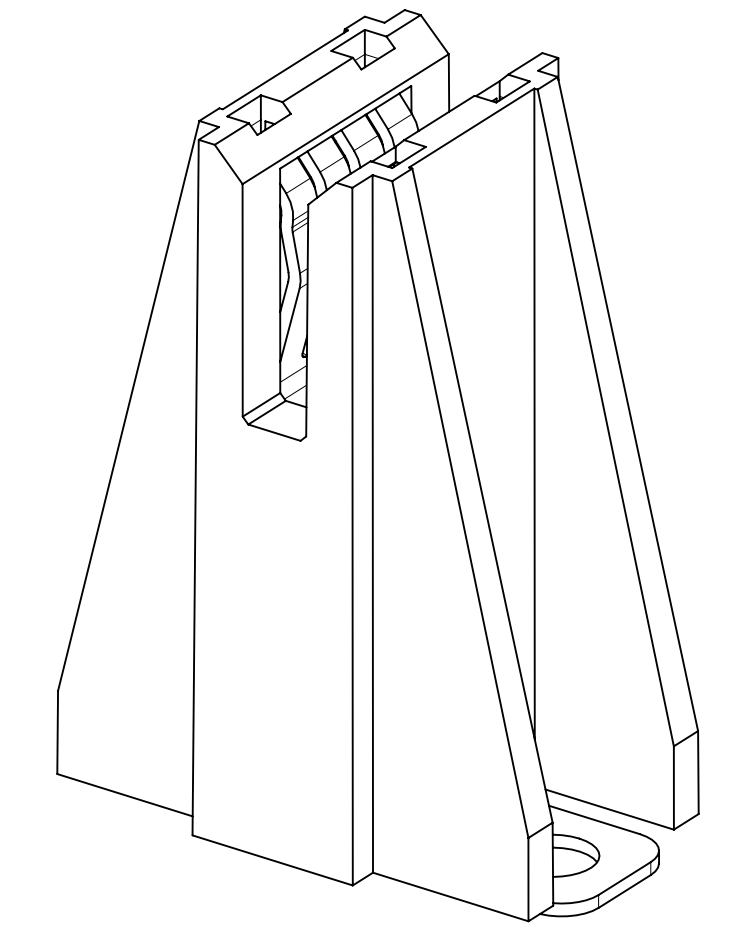
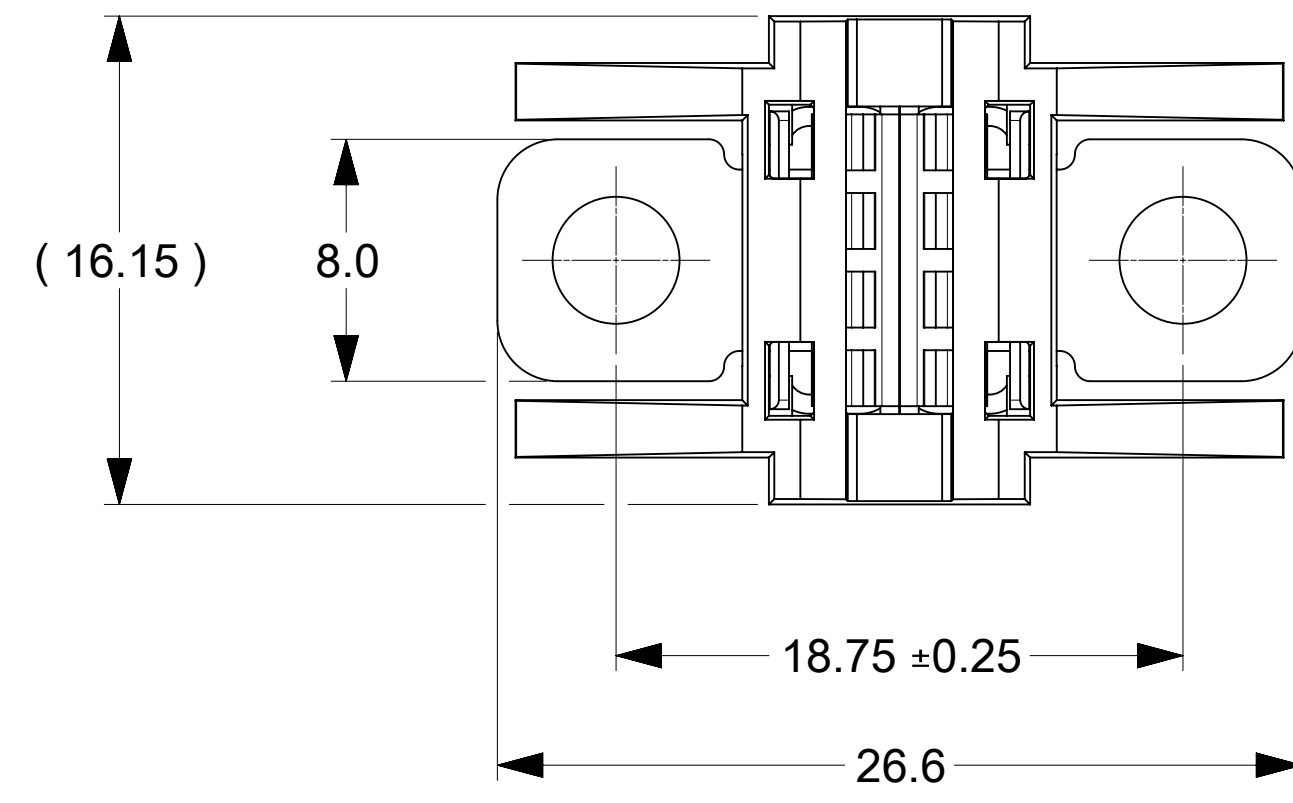
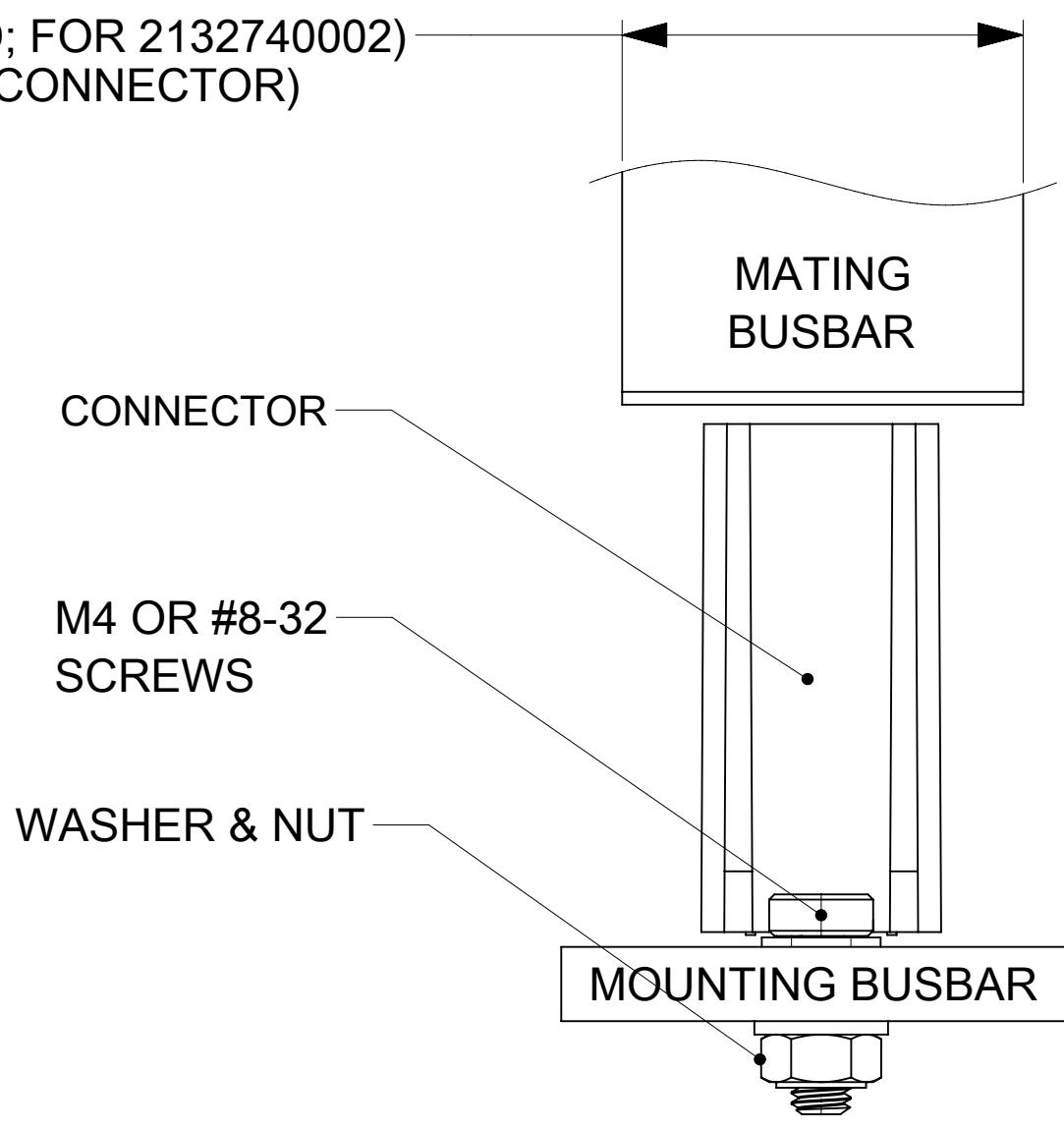


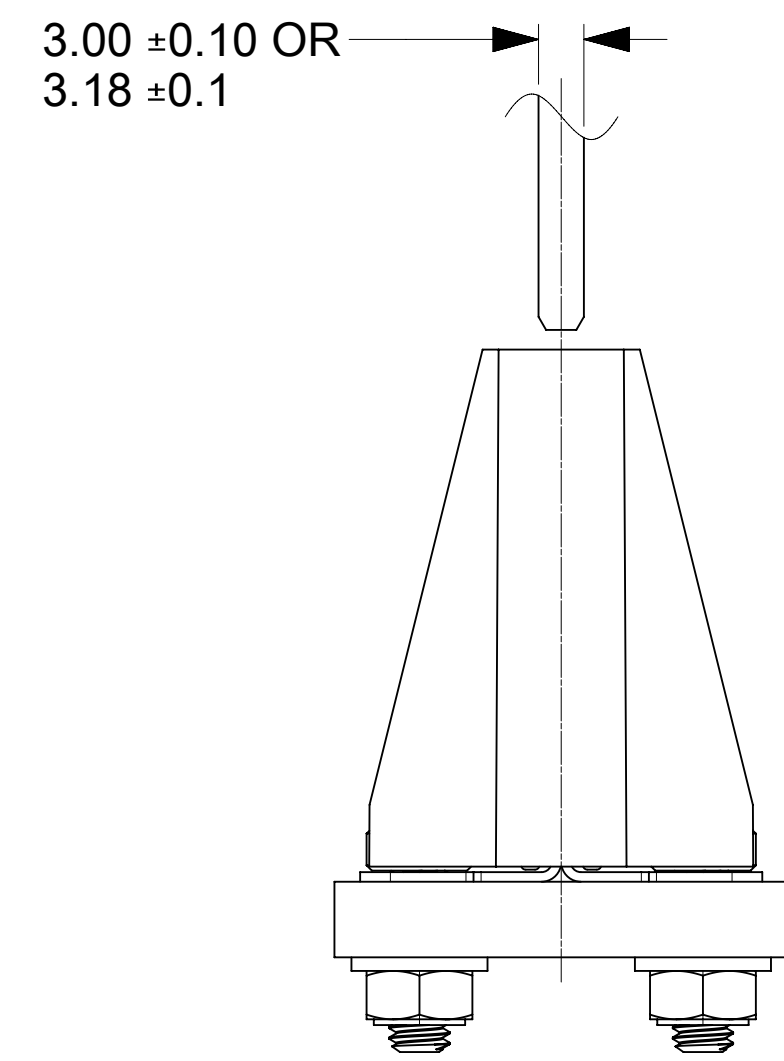
PART NUMBER	DESCRIPTION	NOTE
2132740002	OPEN SIDE WALL	
2132741002	CLOSED SIDE WALL	



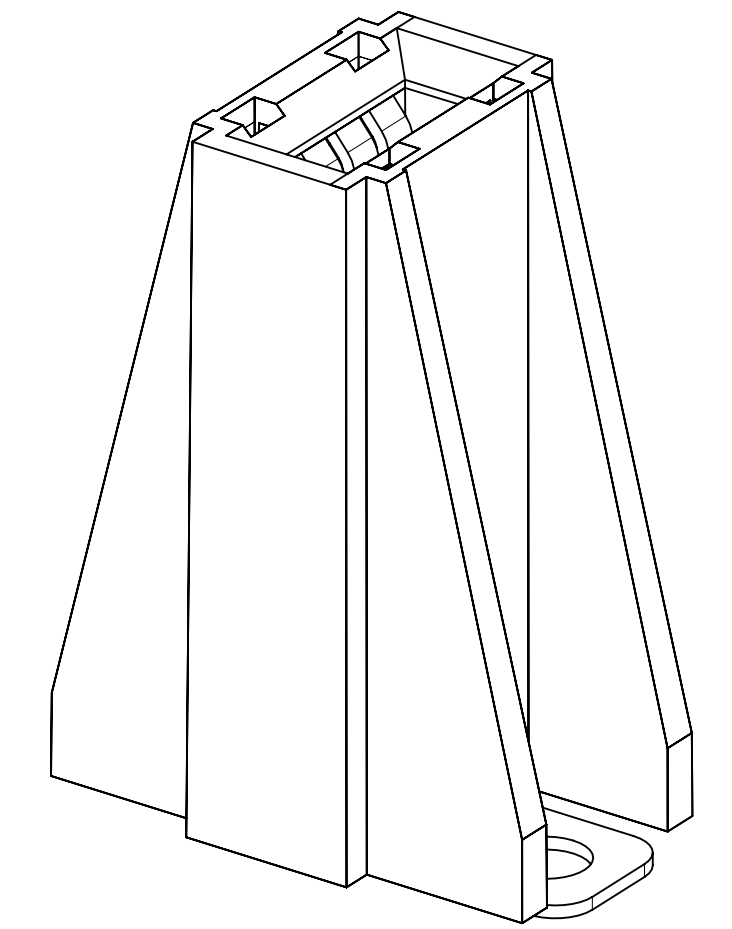
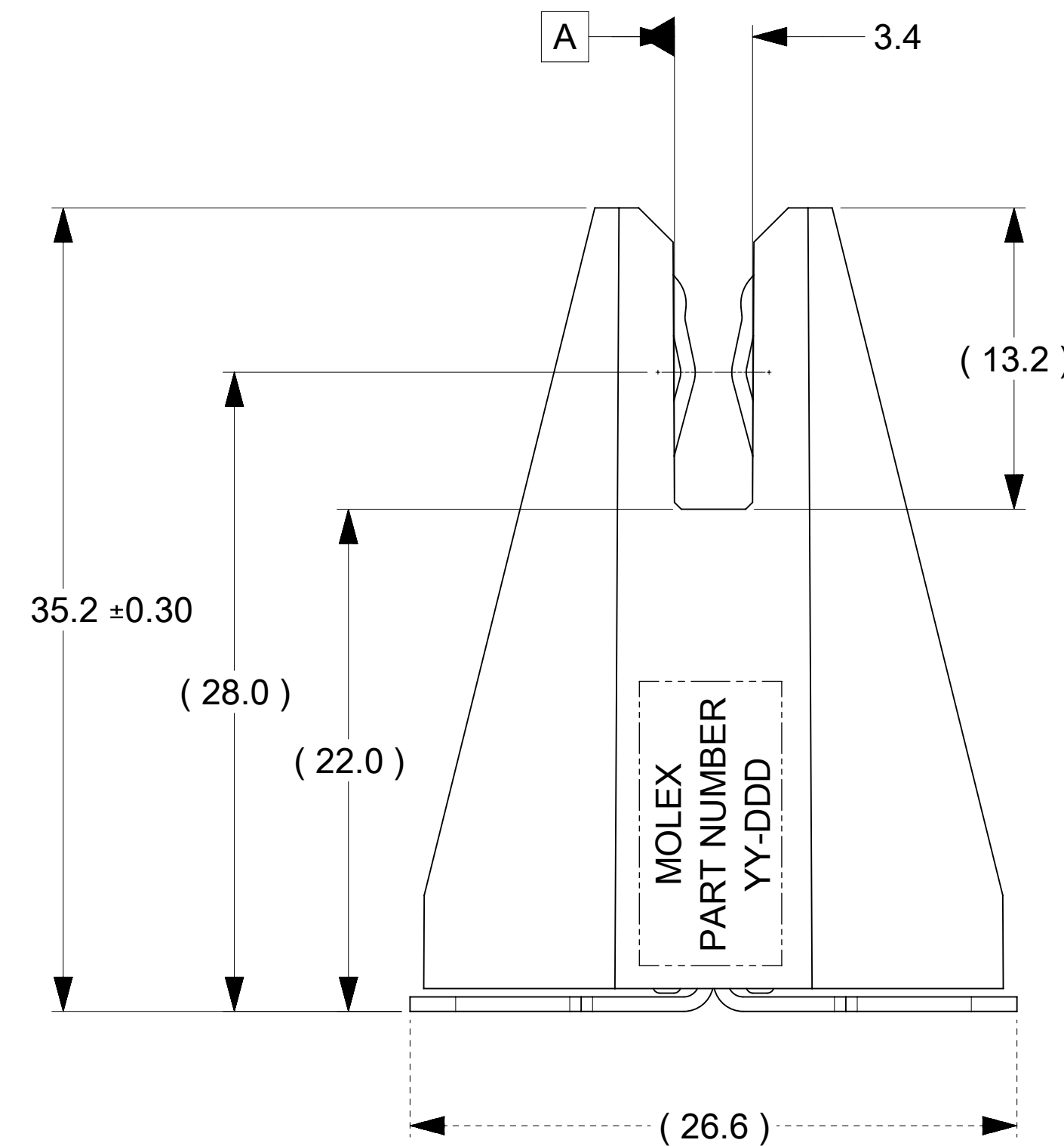
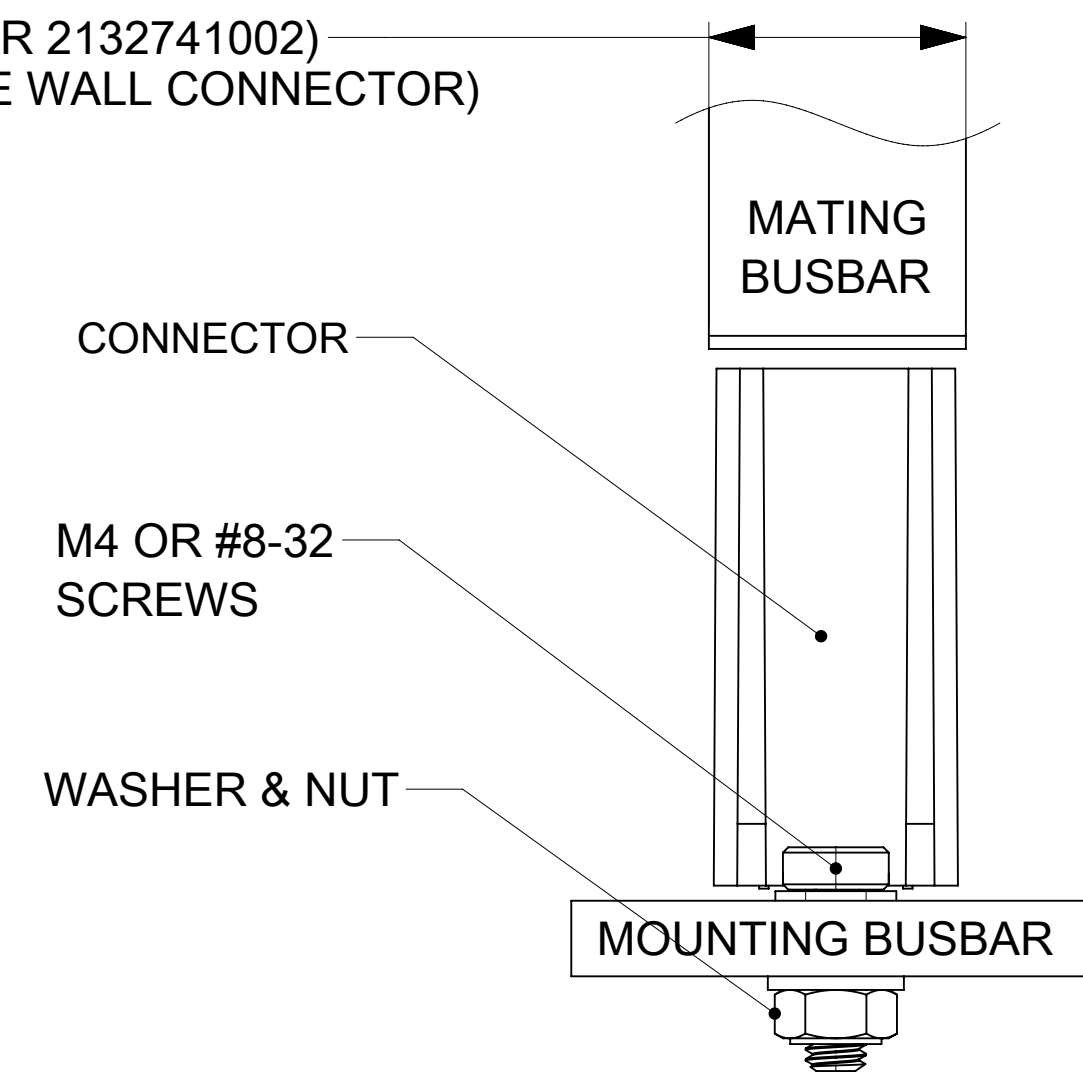
>15 (>20 IS PREFERRED; FOR 2132740002)
(OPEN SIDE WALL CONNECTOR)



PART NUMBER: 2132740002
(OPEN SIDE WALLS)

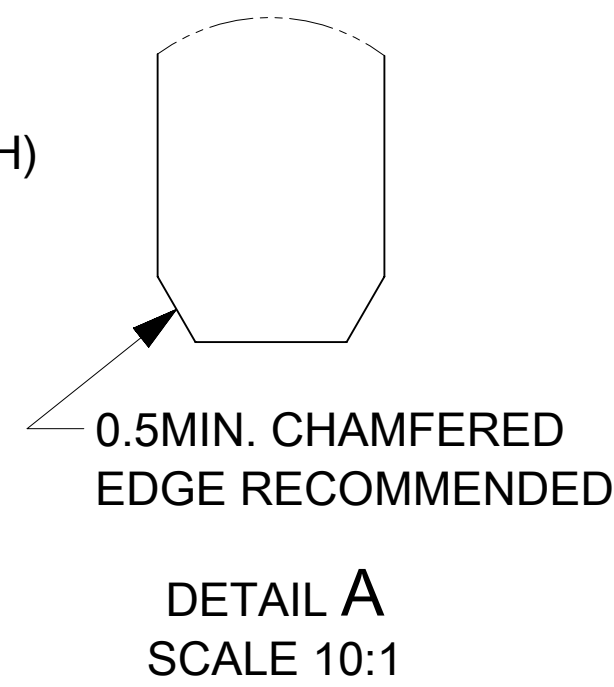
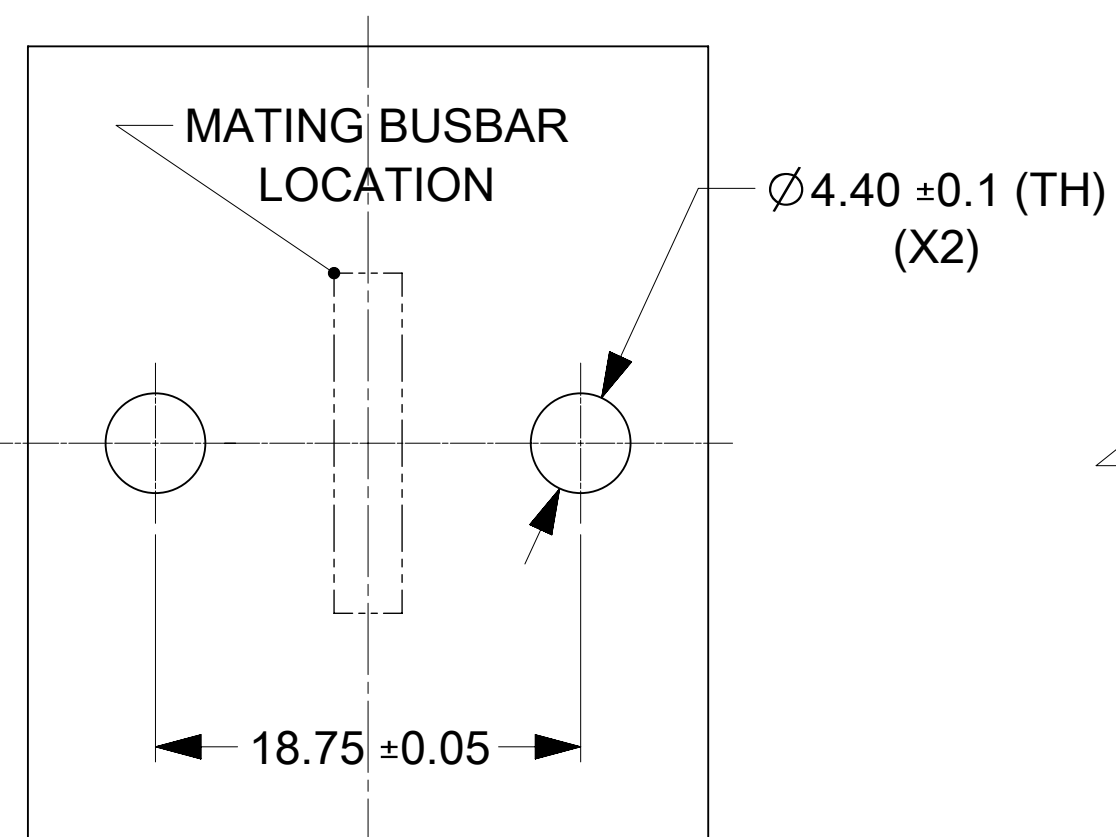


9.5 (FOR 2132741002)
(CLOSED SIDE WALL CONNECTOR)



PART NUMBER: 2132741002
(CLOSED SIDE WALLS)

BUSBARS, SCREWS, WASHER AND NUTS
IN THESE VIEWS ARE SHOWN FOR REFERENCE



RECOMMENDED BUSBAR LAYOUT

NOTES:

- MATERIALS:
 - HOUSING BODY: POLYMER, UL94V-0, BLACK.
 - TERMINALS: COPPER ALLOY.
 - RIVET/CLIP: COPPER ALLOY.
- PLATING:
 - CONTACT AREAS: 3.18 MICRON MIN. SILVER, OVER 1.27 MICRON MIN. NICKEL.
 - TAB AREAS: 3.18 MICRON MIN. TIN OVER 1.27 MICRON MIN. NICKEL.
 - REST: 1.27 MICRON MIN. NICKEL.
- LUBRICATION: LUBED IN CONTACT AREA.
- REFERENCE DOCUMENT: 2132740001-PS, 2132740001-AS
- MODULE ASSEMBLY IS RoHS COMPLIANT.
- FINAL ASSEMBLY TO BE PACKAGED AND LABELED PER PACKAGING KIT DRAWING NUMBER 2132740002-PK.

DIMENSION UNITS		SCALE	CURRENT REV DESC:	
mm		3:1		
GENERAL TOLERANCES (UNLESS SPECIFIED)				
ANGULAR TOL	±	°		
4 PLACES	±			
3 PLACES	±			
2 PLACES	±	0.15		
1 PLACE	±	0.25		
0 PLACES	±			
DRAFT WHERE APPLICABLE MUST REMAIN WITHIN DIMENSIONS				
THIRD ANGLE PROJECTION				
DRAWING		SERIES	MATERIAL NUMBER	CUSTOMER
D-SIZE		213274	SEE CHART	
EC NO: 691462				
DRWN: TOMLU		2022/03/02		
CHK'D: BPISZCZOR		2022/03/09		
APPR: BPISZCZOR		2022/03/09		
INITIAL REVISION:				
DRWN: TOMLU		2021/06/23		
APPR: BPISZCZOR		2022/03/09		
DOCUMENT NUMBER		DOC TYPE	DOC PART	REVISION
2132740002-SD		PSD	000	A
SHEET NUMBER				
1 OF 1				