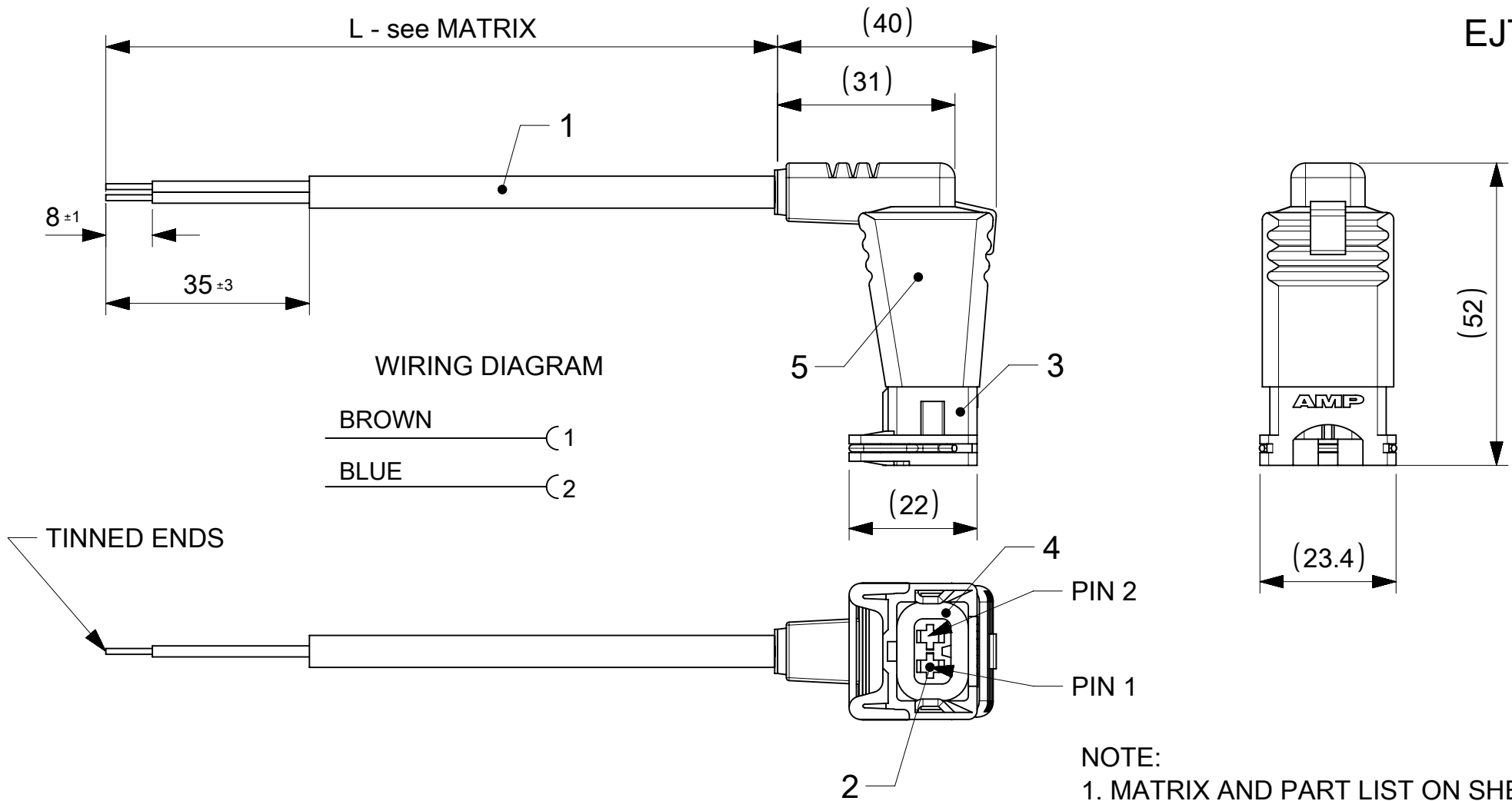


EJTG



**BILL OF MATERIALS**

ITEM	QTY.	DESCRIPTION	MATERIAL	FINISH/COLOR
1	-	CABLE	SEE MATRIX	-
2	2	CONTACT FEMALE	PH. BRONZE	-
3	1	HOUSING 2P	PA6.6	BLACK
4	1	GASKET	SILICONE	WHITE
5	-	MOULDING MATERIAL	PP	BLACK

FUNCTIONAL SYMBOLS FA = 0 FE = 0 FP = 0	THIS DRAWING CONTAINS INFORMATION THAT IS PROPRIETARY TO MOLEX ELECTRONIC TECHNOLOGIES, LLC AND SHOULD NOT BE USED WITHOUT WRITTEN PERMISSION		CURRENT REV DESC:					
	DIMENSION UNITS	SCALE						
DIVISIONAL SYMBOLS	mm	1:1	EC NO: 693334			JUNIOR TIMER 2P FE RA EJTGXXXXXX PRODUCT CUSTOMER DRAWING		
	ANGULAR TOL ± °		DRWN: APAWLAK01 2022/01/24					
	4 PLACES ±	CHK'D: RSILLER 2022/01/26						
	3 PLACES ±	APPR: RSILLER 2022/01/26						
	2 PLACES ±	INITIAL REVISION:						
1 PLACE ±	DRWN: APAWLAK01 2021/10/14			DOCUMENT NUMBER	DOC TYPE	DOC PART	REVISION	
0 PLACES ±	APPR: RSILLER 2021/10/19			1210460016	PSD	000	A1	
DRAFT WHERE APPLICABLE MUST REMAIN WITHIN DIMENSIONS		THIRD ANGLE PROJECTION	DRAWING	SERIES	MATERIAL NUMBER	CUSTOMER	SHEET NUMBER	
			A4-SIZE	121046	SEE SHEET 2	GENERAL MARKET	1 OF 2	

PART No MATRIX

E J T G X X X X X X

JUNIOR CONNECTORS

CONNECTOR TYPE:  
G - 2 WIRES, ANGLED

CABLE TYPE:  
B3 - PUR BLACK 2x18AWG  
N2 - PVC BLACK 2x0.5mm<sup>2</sup>  
N3 - PVC BLACK 2x0.75mm<sup>2</sup>  
P2 - PUR BLACK 2x0.5mm<sup>2</sup>  
P3 - PUR BLACK 2x0.75mm<sup>2</sup>

HEAD COLOR:  
N - BLACK  
A - UL BLACK


CABLE LENGTH [cm]  
050 = 50cm  
300 = 300cm  
10K = 1000cm

PART LIST

MOLEX PN	ENGINEERING NO	L±TOL. [mm]
1210460016	EJTGP3N150	1500±30
1210460022	EJTGP3N500	5000±40
1210460033	EJTGP3N200	2000±30
1210460048	EJTGP2N150	1500±30

TABLE OF LENGHT TOLERANCES

OVER	UP TO AND INCLUDING	TOLERANCE
0	1000	±20
1000	3000	±30
3000	5000	±40
5000	10000	±50
10000	15000	±100
15000	20000	±150
20000		±L/100

FUNCTIONAL SYMBOLS FA = 0 FE = 0 FP = 0	THIS DRAWING CONTAINS INFORMATION THAT IS PROPRIETARY TO MOLEX ELECTRONIC TECHNOLOGIES, LLC AND SHOULD NOT BE USED WITHOUT WRITTEN PERMISSION		CURRENT REV DESC:		 JUNIOR TIMER 2P FE RA EJTGXxxxxxx		
	DIMENSION UNITS	SCALE	EC NO: 693334				
DIVISIONAL SYMBOLS	mm	1:1	DRWN: APAWLAK01 2022/01/24		DOCUMENT NUMBER		
	GENERAL TOLERANCES (UNLESS SPECIFIED)		CHK'D: RSILLER 2022/01/26		DOC TYPE		
	ANGULAR TOL ± °		APPR: RSILLER 2022/01/26		DOC PART		
	4 PLACES ±	INITIAL REVISION:		REVISION			
	3 PLACES ±	DRWN: APAWLAK01 2021/10/14		1210460016			
2 PLACES ±	APPR: RSILLER 2021/10/19		MATERIAL NUMBER		CUSTOMER		
1 PLACE ±	DRAFT WHERE APPLICABLE MUST REMAIN WITHIN DIMENSIONS		A4-SIZE		SHEET NUMBER		
0 PLACES ±	THIRD ANGLE PROJECTION		SERIES		GENERAL MARKET		
		DRAWING		121046		SEE PART LIST	
		MATERIAL NUMBER		CUSTOMER		2 OF 2	

DOCUMENT STATUS	P1	RELEASE DATE	2022/01/26	12:36:00
-----------------	----	--------------	------------	----------