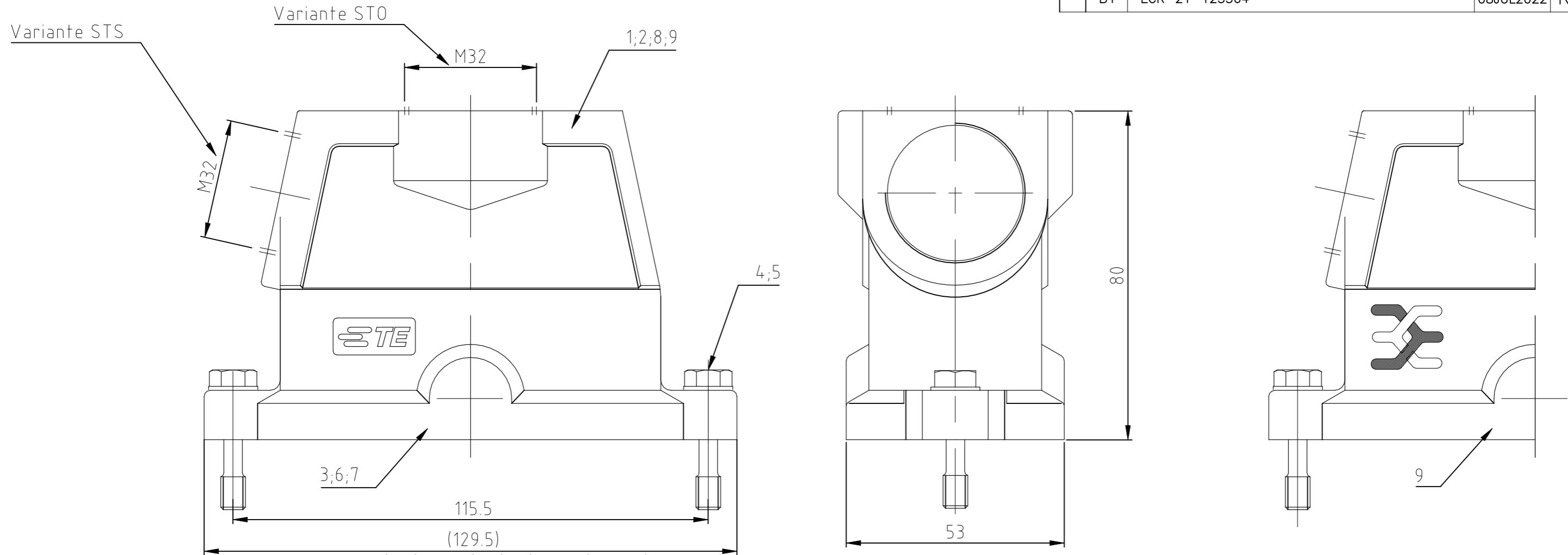


P	LTR	DESCRIPTION BESCHREIBUNG	DATE	DWN	APVD
B1	ECR-21-123564		08JUL2022	RK	JB



5	5	5	5	5	5	5	5	5	5	DESCRIPTION / BENENNUNG	MATERIAL	SURFACE / OBERFLÄCHE	COLOR / FARBE	ITEM NO. POS.	REMARKS / BEMERKUNGEN
1										Hood EMV-K	aluminium/ALU	SEE NOTE \triangle_2	black	9	Weidmüller-logo
	1									Hood EMV-K	aluminium/ALU	SEE NOTE \triangle_2	black	8	without entry / without logo
		1								Hood EMV		grey		7	Side entry
			1							Hood EMV		grey		6	Top entry
2	2	2	2	2	2	2	2	2	2	Pane	V2A	blank		5	B6.4
2	2	2	2	2	2	2	2	2	2	Cylinder screw	V2A	blank		4	M6x30
1	1	1	1	1	1	1	1	1	1	Seal Bg6	Neoprene		black	3	conductive
				1	1	1				Hood EMV-K	aluminium/ALU	SEE NOTE \triangle_2	black	2	Top entry
							1	1		Hood EMV	aluminium/ALU		grey	1	Top entry

- Notes:
- \triangle_1 Material: Housing: aluminium diecasting alloy
 - \triangle_2 Surface: chromit AL TCP passivation + Powder coated black
 - \triangle_3 Varnish on the inside not necessarily
 - \triangle_4 Packaging quantity 5 pieces in a carton
 - \triangle_5 OBSOLETE

EMV-K.16/40.STS.1.M40.G-WE	EMV.16/40.ST	EMV.16/40.STS.1.M40.G	EMV.16/40.STO.1.M40.G	EMV-K.16/40.STS.1.M40.G	EMV-K.16/40.STO.1.M40.G	EMV-K.16/40.Sts.1.M32.G	EMV.16/40.Stfs.1.M32.G	EMV-K.16/40.Stfo.1.M32.G	EMV.16/40.Stfo.1.M32.G	ORDERING TEXT / BESTELLTEXT	THIS DRAWING IS A CONTROLLED DOCUMENT. DIESE ZEICHNUNG IST EIN KONTROLLIERTES DOKUMENT.		DWN Schneider 29.04.2002	STE TE Connectivity		
											DIMENSIONS: MASSENEHTEIN: mm		CHK Schweiger 29.04.2002			
										TOLERANCES UNLESS OTHERWISE SPECIFIED: ALLGEMEINTOLERANZEN		APVD	HOOD			
										0 PLC ±		PRODUCT SPEC	EMV.16/40.1.M32.G			
										1 PLC ±		PRODUKTSPEZ.	-			
										2 PLC ±		APPLICATION SPEC	SIZE	CAGE CODE	DRAWING NO	RESTRICTED TO
										3 PLC ±		VERARBEITUNGSSPEZ.	A3	00779	G-1106446	NUR FÜR
										4 PLC ±			WEIGHT	SCALE	SHEET	OF
										ANGLES / WINKEL ±			GEWICHT	MASSTAB	BLATT	VON
										MATERIAL				1:1	1	REV
										FINISH/OBERFLÄCHE/FARBE						B1
										CUSTOMER DRAWING/KUNDENZEICHNUNG						