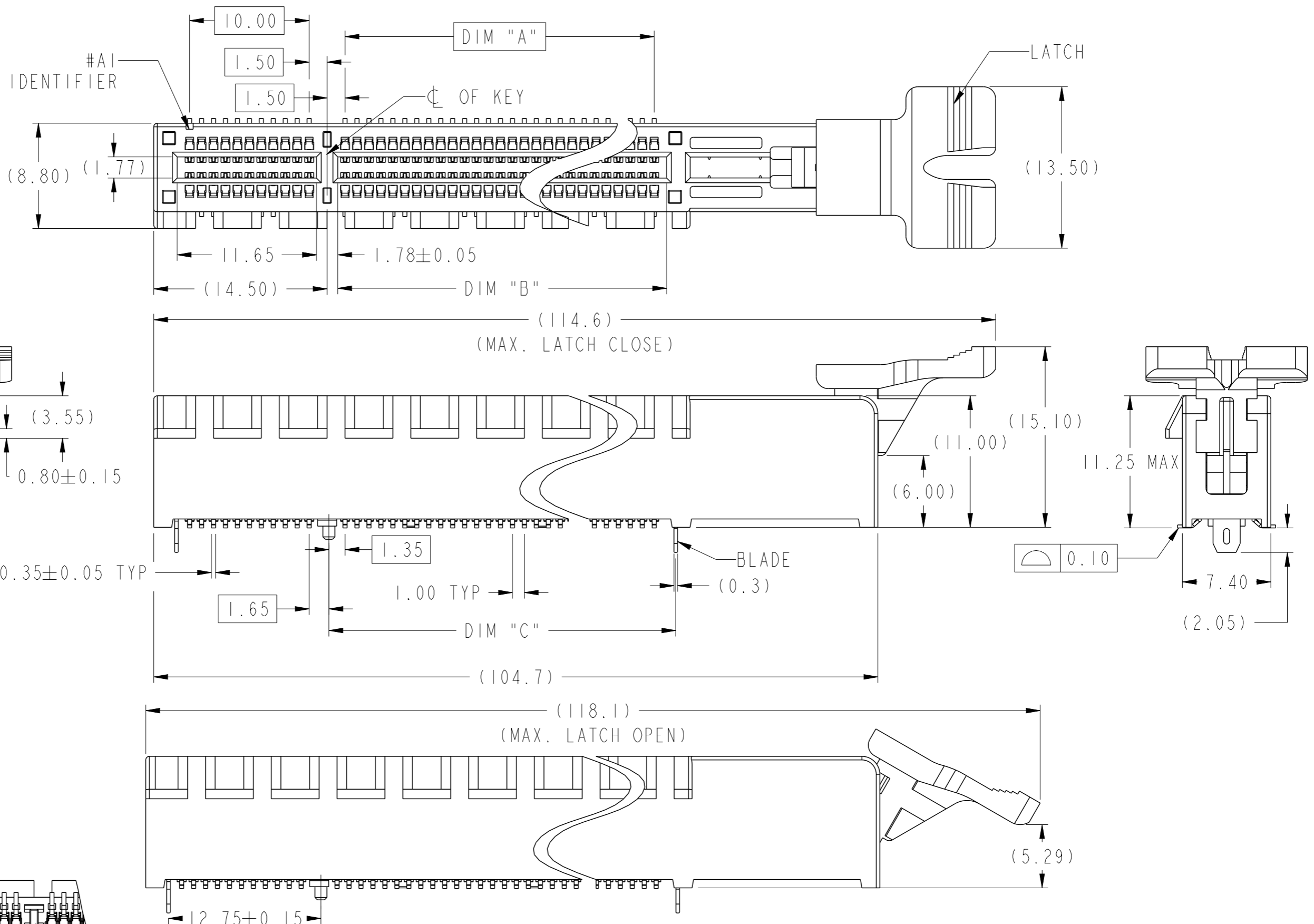
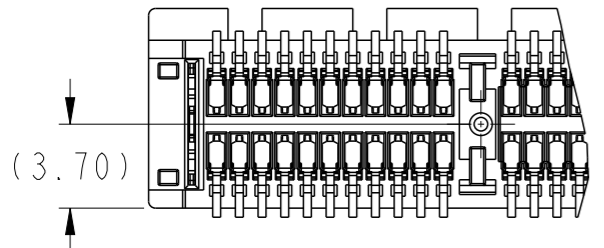


PRODUCT NO.
10147430-1X3TOLF



SECTION A-A



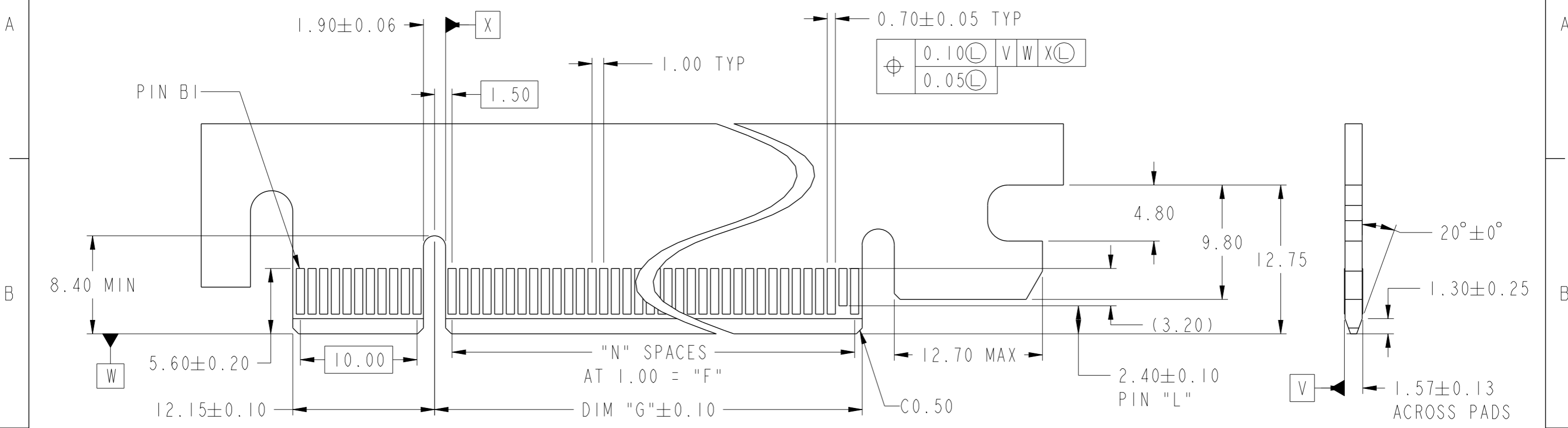
spec ref	-	dr	Noorhazinda,	2018/09/20	projection	mm	size	A3	scale	1:1									
tolerance std	ISO 406 ISO 1101	eng	Sandar Soe	2021/05/18			ecn no	ELX-S-39084-1											
TOLERANCES UNLESS OTHERWISE SPECIFIED		chr	-	-			rel level	Released											
surface	linear	appr	Koon-Poh Tay	2021/05/21	product family	-	dwg no	10147430		rev	C								
	angular	<table border="1"> <tr><td>0.X</td><td>±0.3</td></tr> <tr><td>0.XX</td><td>±0.20</td></tr> <tr><td>0.XXX</td><td>±0.10</td></tr> <tr><td>0°</td><td>±2°</td></tr> </table>		0.X	±0.3	0.XX	±0.20	0.XXX	±0.10	0°	±2°	Amphenol FCI		PCIE GEN4, SMT, LATCH MODULE ASSY - BLADE HOLDDOWN		cat. no.	-	Product - Customer Drw	sheet 1 of 4
0.X	±0.3																		
0.XX	±0.20																		
0.XXX	±0.10																		
0°	±2°																		

Creo File:ELX-WC-A3C.REV F.2020-12-21

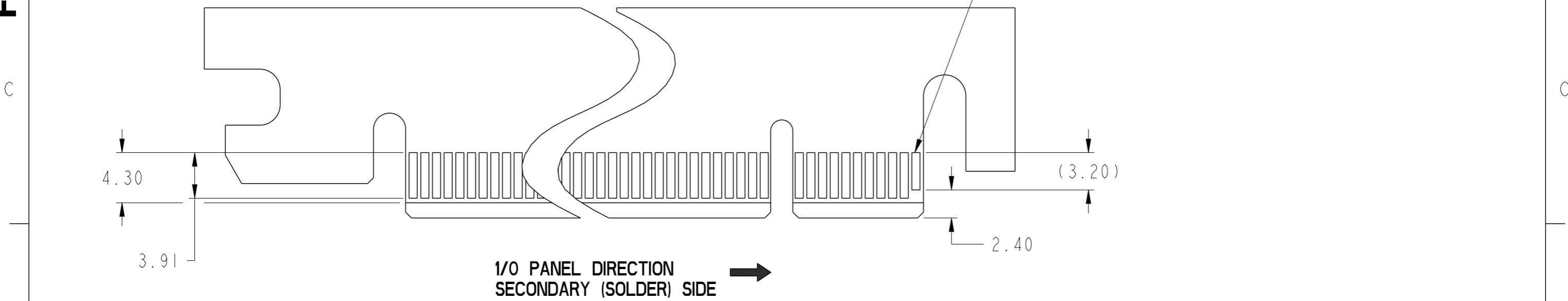
Amphenol FCI

© 2020 Amphenol Corporation

PRODUCT NO. 10147430-1X3T0LF	CONNECTOR LINK WIDTH	POSITION	N	DIM "G"	DIM "F"	PIN "L"
	X16	164	70	72.15	70.00	B81



← I/O PANEL DIRECTION
PRIMARY (COMPONENT) SIDE



I/O PANEL DIRECTION
SECONDARY (SOLDER) SIDE →

- NO TIE BAR PERMITTED FROM CARD EDGE TO LEADING EDGE OF PAD FOR PIN AI AND PIN "L".
- CHAMFER EDGES MUST BE FREE OF CUTTING BURRS.
- TOLERANCE : ±0.13.

spec ref	-	dr	Noorhazlinda,	2018/09/20	projection	mm	size	A3	scale	1:1	
tolerance std	ISO 406 ISO 1101	eng	Sandar Soe	2021/05/18			ecn no	ELX-S-39084-1			
TOLERANCES UNLESS OTHERWISE SPECIFIED		chr	-	-			rel level	Released			
surface	linear	appr	Koon-Poh Tay	2021/05/21	product family	-	cat. no.	-	Product - Customer Drw	sheet 2 of 4	
	angular				Amphenol FCI	PCIE GEN4, SMT, LATCH	dwg no	10147430		rev	C
						MODULE ASSY - BLADE HOLDDOWN					

© 2020 Amphenol Corporation

PRODUCT NO.
10147430-1X3T0LF

A

B

C

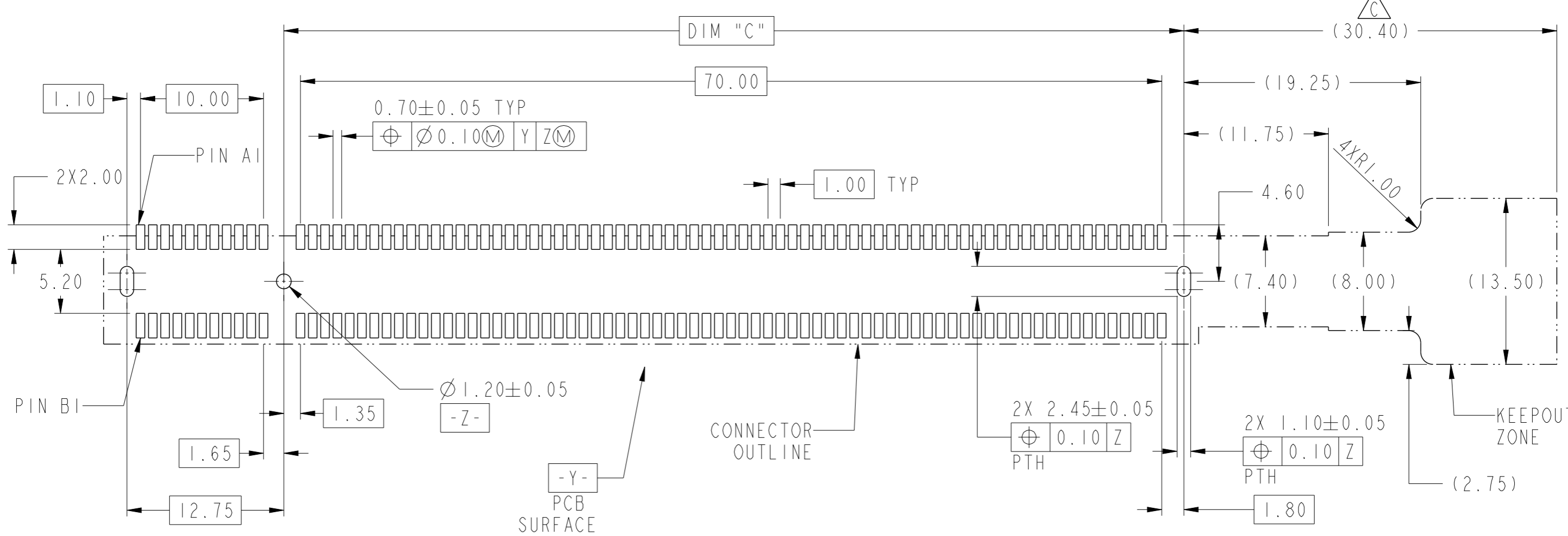
D

A

B

C

D



RECOMMENDED PCB LAYOUT, PAD TYPE

DIMENSIONS			
POSITION	A	B	C ±0.10
164	70.00	71.65	73.15

spec ref	-	dr	Noorhazinda,	2018/09/20	projection	mm	size	A3	scale	1:1	
tolerance std	ISO 406 ISO 1101	eng	Sandar Soe	2021/05/18			ecn no	ELX-S-39084-1			
TOLERANCES UNLESS OTHERWISE SPECIFIED		chr	-	-			rel level	Released			
surface	ISO 1302	appr	Koon-Poh Tay	2021/05/21	product family			cat. no.	Product - Customer Drw	sheet 3 of 4	
	linear	0.X	±0.3		PCIE GEN4, SMT, LATCH		dwg no	10147430		rev	C
		0.XX	±0.20		MODULE ASSY - BLADE HOLDDOWN						
	angular	0°	±2°								

Creo File:ELX-WC-A3C.REV F.2020-12-21

Amphenol
FCi

© 2020 Amphenol Corporation

PRODUCT NUMBER CODE

10147430-□□□□□LF

HOUSING
1: BLACK

CONTACT AREA PLATING
1: 30u" Au
2: 15u" Au

LATCH OPTIONS

0: LATCH COLOR: BLACK
1: WITHOUT LATCH

PACKAGING OPTIONS

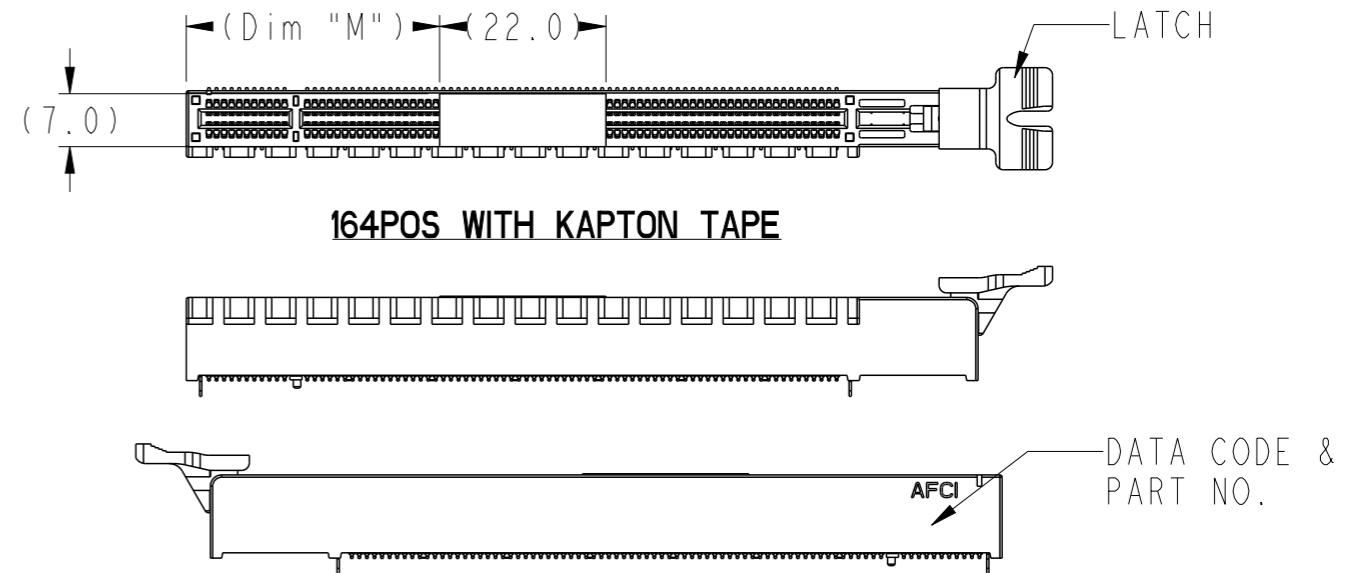
T: SOFT TRAY WITH KAPTON TAPE, 22MM
V: SOFT TRAY WITH KATPON TAPE, 86.5MM $\triangle C$
Q: SMALL HARD TRAY (323x136MM) WITHOUT KAPTON TAPE
A: SMALL HARD TRAY (323x136MM) WITH KAPTON TAPE, 22MM
K: CUSTOM HARD TRAY (295X185MM) WITHOUT KAPTON TAPE
L: CUSTOM HARD TRAY (295X185MM) WITH KAPTON TAPE, 22MM

NO. OF POSITION

3: 164 POSITION

NOTES:

- MATERIAL :
HOUSING : LCP, UL94V-0
LATCH : LCP, UL94V-0
CONTACT COPPER ALLOY
HOLDDOWN CLIP: COPPER ALLOY
- PLATING:
CONTACT: UNDERPLATE: 50u" NICKEL OVERALL.
SOLDER AREA: 100u" TIN (LEAD FREE).
MATING AREA: SEE PRODUCT NUMBER CODE.
HOLDDOWN CLIP: 100u" TIN OVER 50u" NICKEL.
- PRODUCT SPECIFICATION: GS-12-1406 $\triangle C$
- PRODUCT MEETS EUROPEAN UNION DIRECTIVES AND OTHER COUNTRY REGULATIONS AS DESCRIBED IN GS-47-0004 $\triangle C$
- DATE CODE "MMDDYYL", MMDDYY IS ASSEMBLY DATE.
L IS AFCI PRODUCTION SITE.
- THE HOUSING WILL WITHSTAND EXPOSURE TO 260° PEAK TEMPERATURE FOR 10 SECONDS IN A CONVECTION, INFRA-RED OR VAPOR PHASE REFLOW OVEN.
- A \triangle SYMBOL WILL BE NEXT TO ANY DIMENSION, VIEW OR NOTE WHICH HAS BEEN MODIFIED WITH THE CURRENT DRAWING REVISION.



DIMENSIONS	
KAPTON TAPE LENGTH	(Dim M)
22MM	33.5
$\triangle C$ 86.5MM	1.25

spec ref	-	dr	Noorhazlinda,	2018/09/20	projection	mm	size	A3	scale	1:1	
tolerance std	ISO 406 ISO 1101	eng	Sandar Soe	2021/05/18		← →	ecn no	ELX-S-39084-1			
TOLERANCES UNLESS OTHERWISE SPECIFIED		chr	-	-			rel level	Released			
surface	linear	appr	Koon-Poh Tay	2021/05/21	product family	-	dwg no	10147430		rev	C
	angular				PCIE GEN4, SMT, LATCH MODULE ASSY - BLADE HOLDDOWN		Product - Customer Drw		sheet 4 of 4		