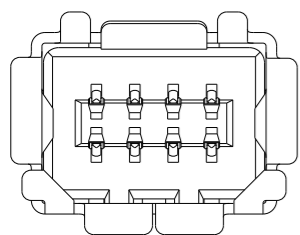
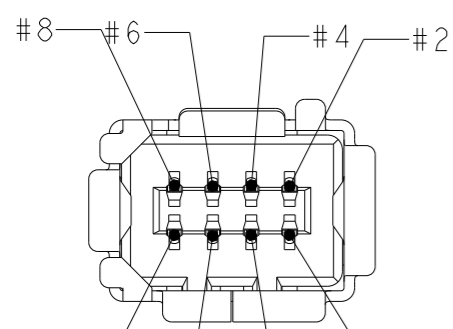
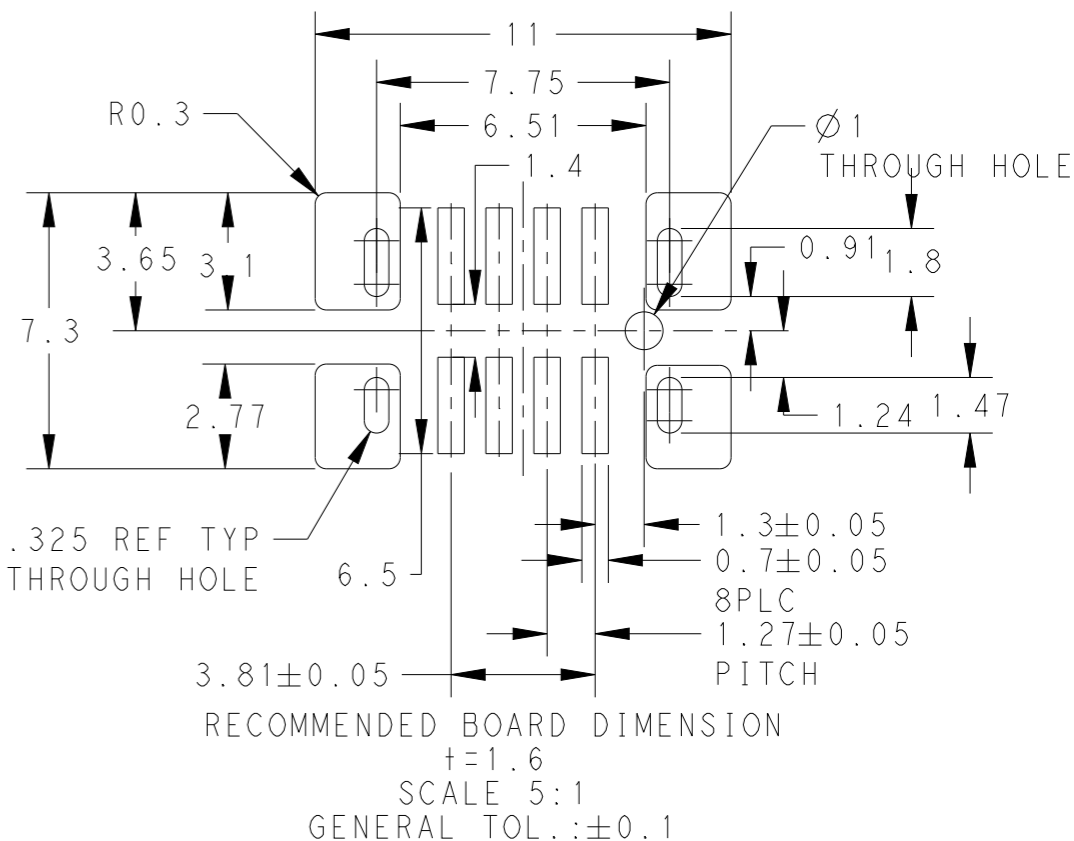
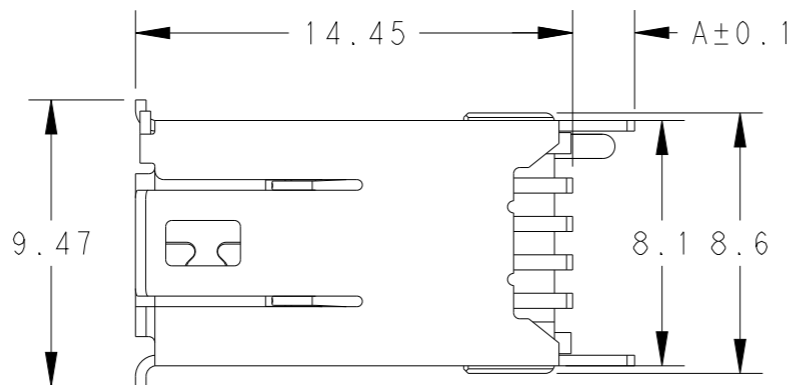


THIS DRAWING IS UNPUBLISHED. RELEASED FOR PUBLICATION
 © COPYRIGHT - BY - ALL RIGHTS RESERVED.

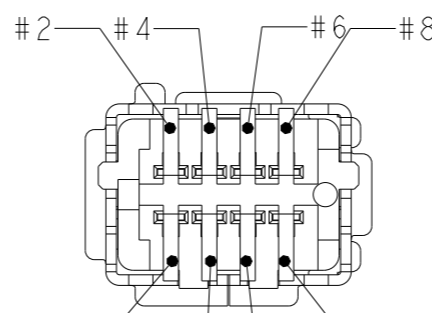
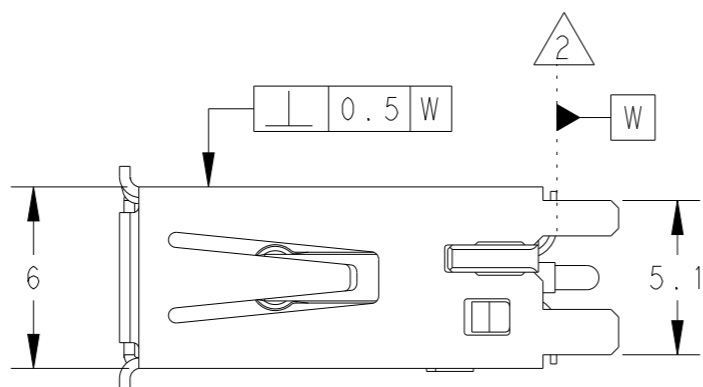
LOC	DIST	REVISIONS			
P	LTR	DESCRIPTION	DATE	DWN	APVD
-	-	C	ECR-18-010755	11NOV2018	GCM PP
		C1	ADDED NEW PART VARIANT 3--1 AND 3--2	19OCT2020	SS JDB
		C2	ADDED NEW PART VARIANT 4--1	19MAY2021	SS JDB
		C3	PACKAGING DETAILS CORRECTED FOR 4-2271656-1	14SEP2021	SS JDB



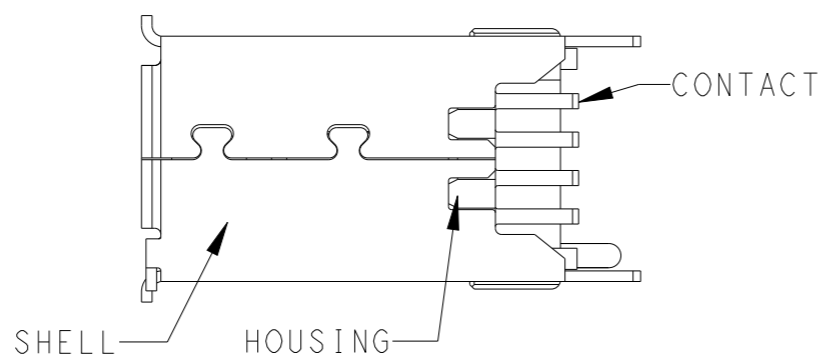
2271656-2
TYPE II



2271656-1
TYPE I



CIRCUIT NO



DIM "A"	POS	TOP CONTACT AREA	DESCRIPTION	PART NO
1.5	8	GOLD 0.5µm MIN	TYPE I SMT RECEPTACLE WITH CAP ON EMBOSS TAPE	4-2271656-1
2.05	8	GOLD 0.76µm MIN	TYPE II SMT RECEPTACLE WITH EMBOSS TAPE	3-2271656-2
2.05	8	GOLD 0.76µm MIN	TYPE I SMT RECEPTACLE WITH EMBOSS TAPE	3-2271656-1
2.05	8	GOLD 0.5µm MIN	TYPE II SMT RECEPTACLE WITH CAP ON EMBOSS TAPE	2-2271656-2
2.05	8	GOLD 0.5µm MIN	TYPE I SMT RECEPTACLE WITH CAP ON EMBOSS TAPE	2-2271656-1
2.05	8	GOLD 0.5µm MIN	TYPE II SMT RECEPTACLE WITH CAP	1-2271656-2
2.05	8	GOLD 0.5µm MIN	TYPE I SMT RECEPTACLE WITH CAP	1-2271656-1
2.05	8	GOLD 0.5µm MIN	TYPE II SMT RECEPTACLE	2271656-2
2.05	8	GOLD 0.5µm MIN	TYPE I SMT RECEPTACLE	2271656-1

NOTES:
 1 MATERIAL AND FINISH
 CONTACT: COPPER ALLOY
 UNDER ALL SURFACE NICKEL 1.27µm MIN.
 TOP CONTACT AREA: SEE TABLE
 SOLDERING AREA: TIN PLATE
 HOUSING: THERMO PLASTIC (UL94V-0)
 SHELL: COPPER ALLOY
 UNDER ALL SURFACE NICKEL
 TOP ALL SURFACE TIN
 2 COPLANARITY 0.1 MAX (IN 8 TIPS OF CONTACTS)
 DATUM -W- IS THE SEATING PLANE FOR ALL 8 CONTACT LEGS
 3 GENERAL TOL.: ±0.3; ±5°

THIS DRAWING IS A CONTROLLED DOCUMENT.

DIMENSIONS: mm

TOLERANCES UNLESS OTHERWISE SPECIFIED:
 0 PLC ±-
 1 PLC ±-
 2 PLC ±-
 3 PLC ±-
 4 PLC ±-
 ANGLES ±-
 FINISH -

DWN: LEAR ZHANG 01DEC2015
 CHK: KOBBY ZHAO 01DEC2015
 APVD: XU XIANG 01DEC2015

NAME: SMT VERTICAL MINI I/O RECEPTACLE 1.27mm PITCH

PRODUCT SPEC: 108-106087

APPLICATION SPEC: -

WEIGHT: -

CUSTOMER DRAWING

SCALE: 4:1

SHEET 1 OF 5

REV C3

SIZE: A3

CAGE CODE: -

DRAWING NO: 2271656

RESTRICTED TO: -

TE Connectivity

4

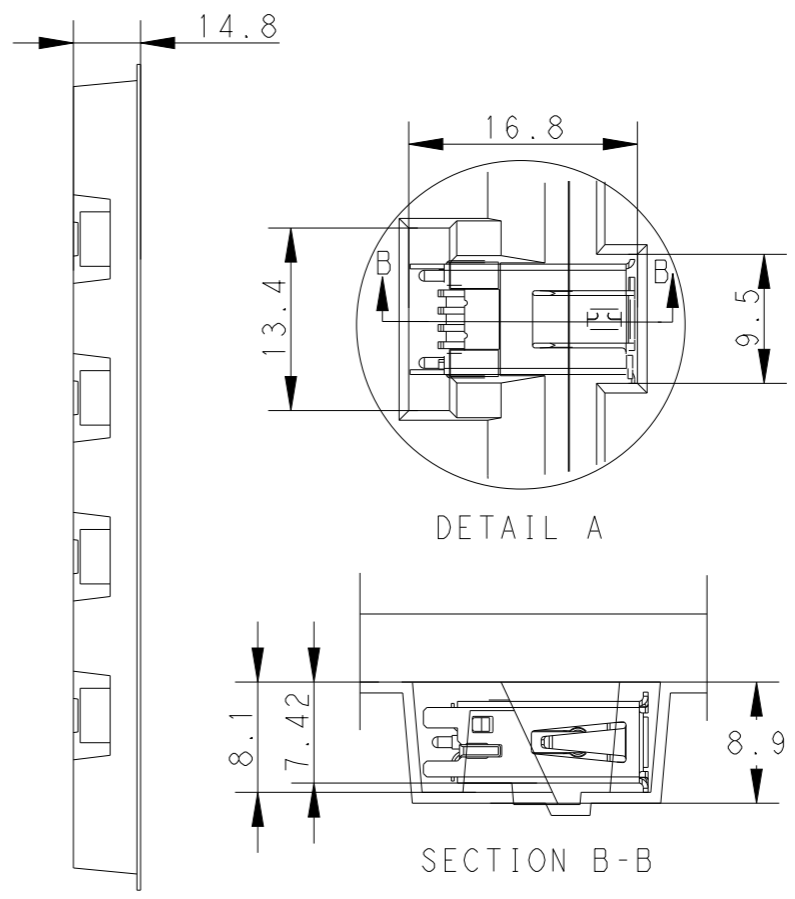
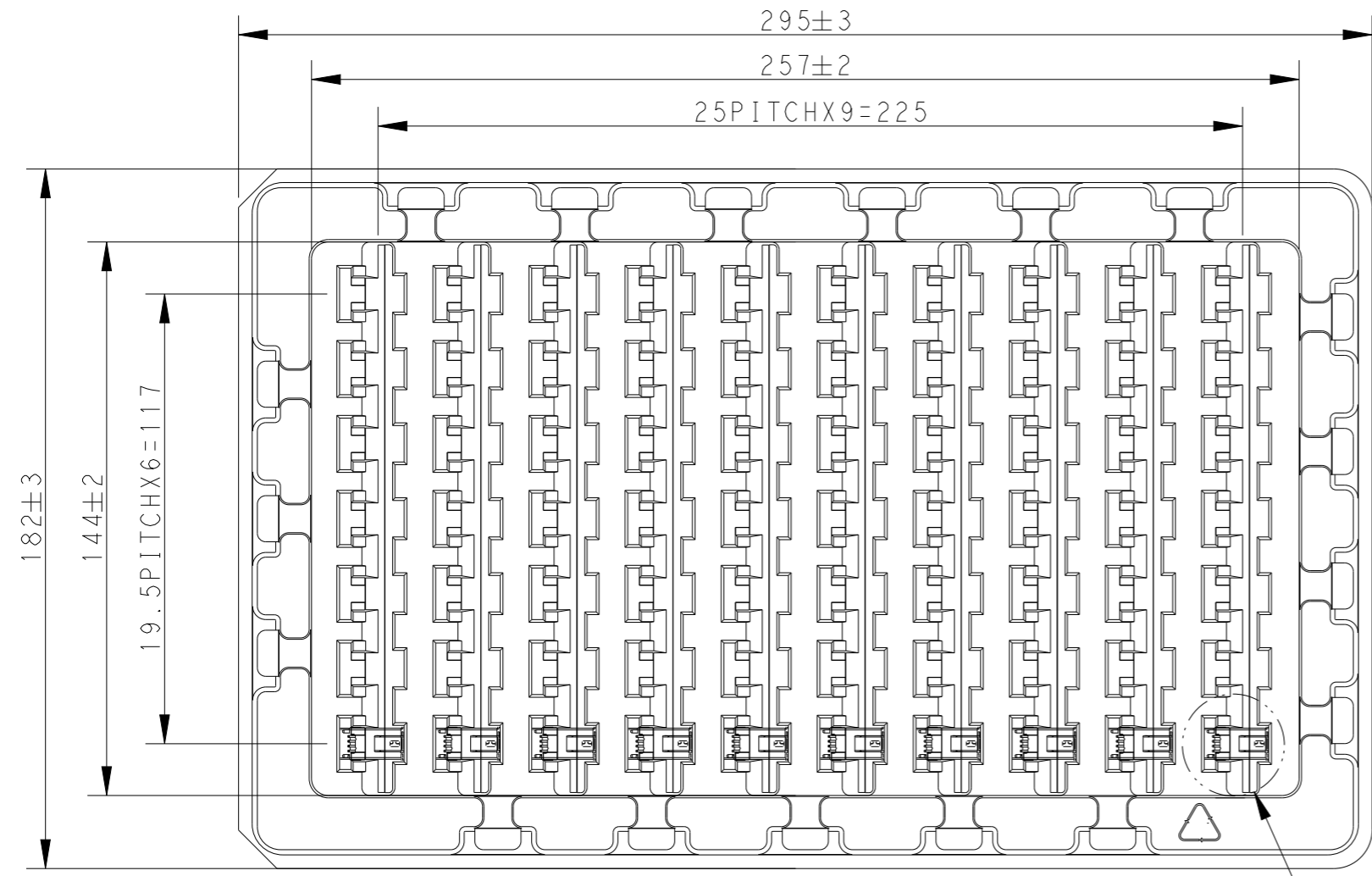
3

2

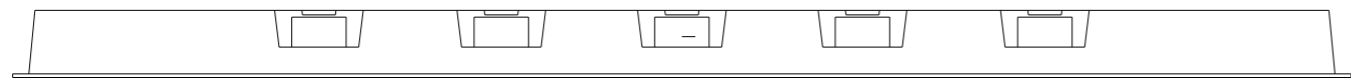
1

THIS DRAWING IS UNPUBLISHED. RELEASED FOR PUBLICATION
 © COPYRIGHT - BY - ALL RIGHTS RESERVED.

LOC	DIST	REVISIONS			
P	LTR	DESCRIPTION	DATE	DWN	APVD
-	-	SEE SHEET 1	-	-	-



SEE DETAIL A



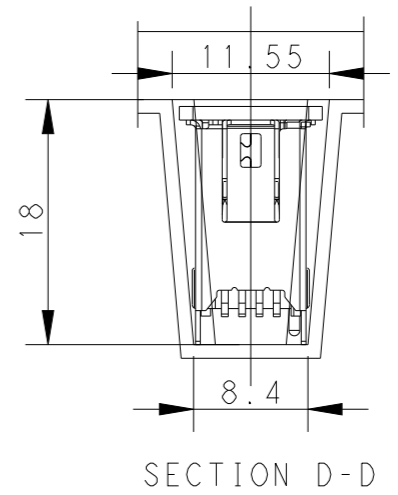
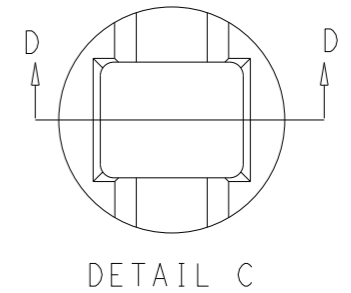
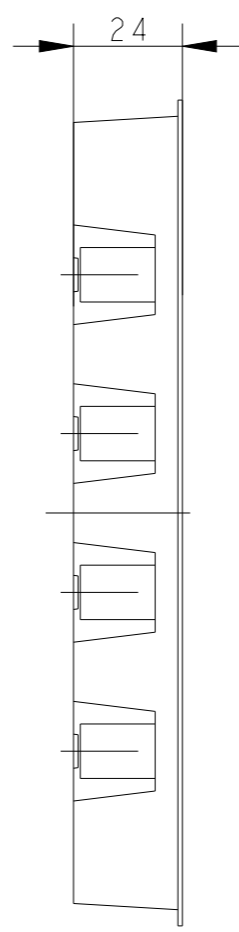
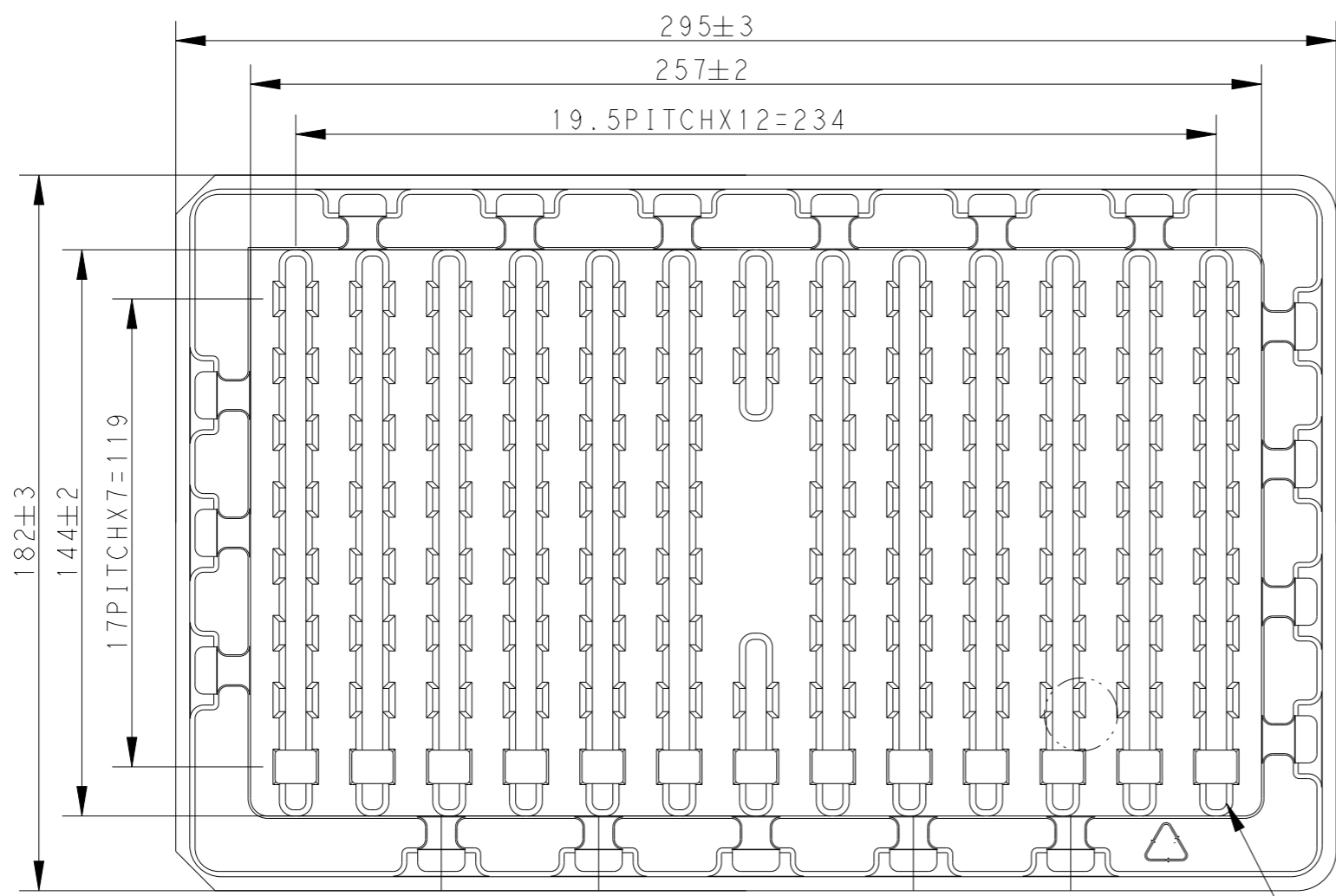
NOTE:
 4 PACKAGE:
 70PCS PER TRAY FOR 2271656-1, 2271656-2

PACKAGE AS SHOWN	2271656-2 2271656-1
DESCRIPTION	PART NO

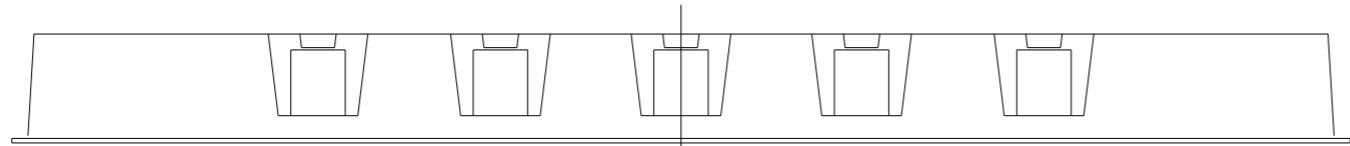
THIS DRAWING IS A CONTROLLED DOCUMENT.		DWN	01DEC2015	 TE Connectivity	NAME SMT VERTICAL MINI I/O RECEPTACLE 1.27mm PITCH						
DIMENSIONS: mm		CHK	01DEC2015								
		APVD	01DEC2015								
TOLERANCES UNLESS OTHERWISE SPECIFIED:		PRODUCT SPEC	108-106087								
0 PLC ±- 1 PLC ±- 2 PLC ±- 3 PLC ±- 4 PLC ±- ANGLES ±- MATERIAL - FINISH -		APPLICATION SPEC	-	SIZE	A3	CAGE CODE	-	DRAWING NO	©-2271656	RESTRICTED TO	-
		WEIGHT	-	CUSTOMER DRAWING		SCALE	4:1	SHEET	2 OF 5	REV	C3

THIS DRAWING IS UNPUBLISHED. RELEASED FOR PUBLICATION
 © COPYRIGHT - BY - ALL RIGHTS RESERVED.

LOC	DIST	REVISIONS			
P	LTR	DESCRIPTION	DATE	DWN	APVD
-	-	SEE SHEET 1	-	-	-




SEE DETAIL C



NOTE:
 5 PACKAGE:
 100PCS PER TRAY FOR 1-2271656-1 & 1-2271656-2

PACKAGE AS SHOWN	1-2271656-2 1-2271656-1
DESCRIPTION	PART NO

THIS DRAWING IS A CONTROLLED DOCUMENT.		DWN	01DEC2015	 TE Connectivity	NAME SMT VERTICAL MINI I/O RECEPTACLE 1.27mm PITCH
DIMENSIONS: mm		CHK	01DEC2015		
TOLERANCES UNLESS OTHERWISE SPECIFIED:		APVD	01DEC2015		
0 PLC ±- 1 PLC ±- 2 PLC ±- 3 PLC ±- 4 PLC ±- ANGLES ±- MATERIAL - FINISH -		XU XIANG PRODUCT SPEC 108-106087 APPLICATION SPEC - WEIGHT -	SIZE A3		
0 PLC ±- 1 PLC ±- 2 PLC ±- 3 PLC ±- 4 PLC ±- ANGLES ±- MATERIAL - FINISH -		CUSTOMER DRAWING		DRAWING NO C-2271656	RESTRICTED TO -
SCALE 4:1		SHEET 3 OF 5		REV C3	

THIS DRAWING IS UNPUBLISHED.

RELEASED FOR PUBLICATION

© COPYRIGHT - BY -

ALL RIGHTS RESERVED.

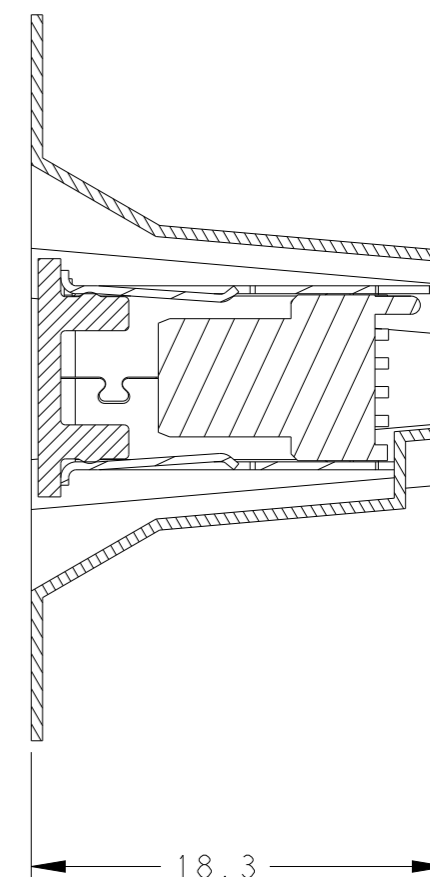
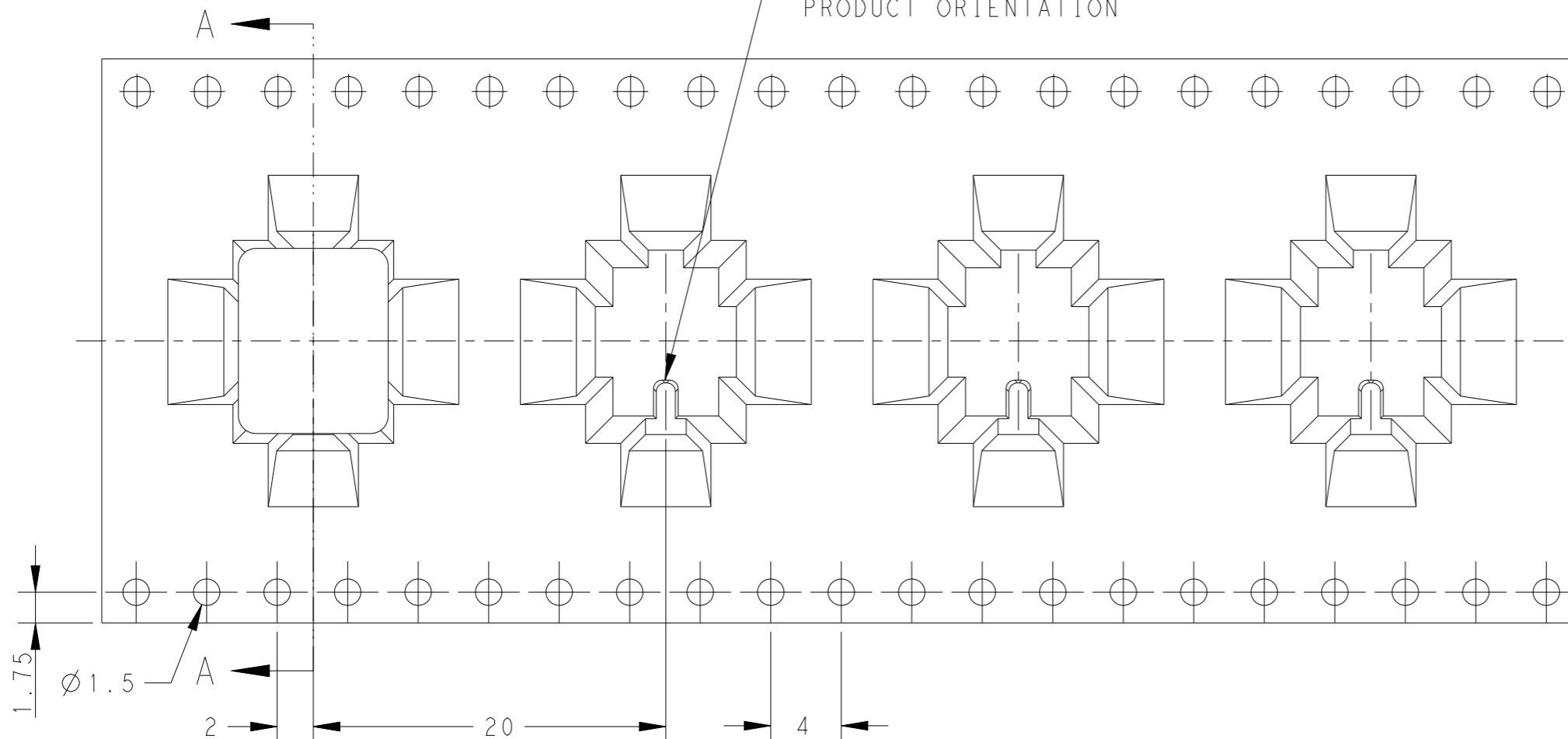
LOC - DIST -

REVISIONS

P	LTR	DESCRIPTION	DATE	DWN	APVD
-	-	SEE SHEET 1	-	-	-

CODING KEY FOR PRODUCT ORIENTATION


SECTION A - A



EMBOSS TAPE

PACKAGE AS SHOWN	3-2271656-2
	3-2271656-1
	2-2271656-2
	2-2271656-1
DESCRIPTION	PART NO

NOTE:
 6 PACKAGE:
 200PCS PER REEL FOR 2-2271656-1, 2-2271656-2,
 3-2271656-1 & 3-2271656-2

THIS DRAWING IS A CONTROLLED DOCUMENT.		DWN 01DEC2015 LEAR ZHANG	 TE Connectivity															
DIMENSIONS: mm		CHK 01DEC2015 KOBBY ZHAO																
TOLERANCES UNLESS OTHERWISE SPECIFIED:		APVD 01DEC2015 XU XIANG	NAME SMT VERTICAL MINI I/O RECEPTACLE 1.27mm PITCH															
<table border="0"> <tr><td>0 PLC</td><td>±-</td></tr> <tr><td>1 PLC</td><td>±-</td></tr> <tr><td>2 PLC</td><td>±-</td></tr> <tr><td>3 PLC</td><td>±-</td></tr> <tr><td>4 PLC</td><td>±-</td></tr> <tr><td>ANGLES</td><td>±-</td></tr> <tr><td>FINISH</td><td>-</td></tr> </table>		0 PLC	±-	1 PLC	±-	2 PLC	±-	3 PLC	±-	4 PLC	±-	ANGLES	±-	FINISH	-	PRODUCT SPEC 108-106087	SIZE A3	
0 PLC	±-																	
1 PLC	±-																	
2 PLC	±-																	
3 PLC	±-																	
4 PLC	±-																	
ANGLES	±-																	
FINISH	-																	
MATERIAL -		APPLICATION SPEC -	CAGE CODE -	DRAWING NO C-2271656														
		WEIGHT -	RESTRICTED TO -															
		CUSTOMER DRAWING	SCALE 4:1	SHEET 4 OF 5 REV C3														

THIS DRAWING IS UNPUBLISHED.

RELEASED FOR PUBLICATION

© COPYRIGHT - BY -

ALL RIGHTS RESERVED.

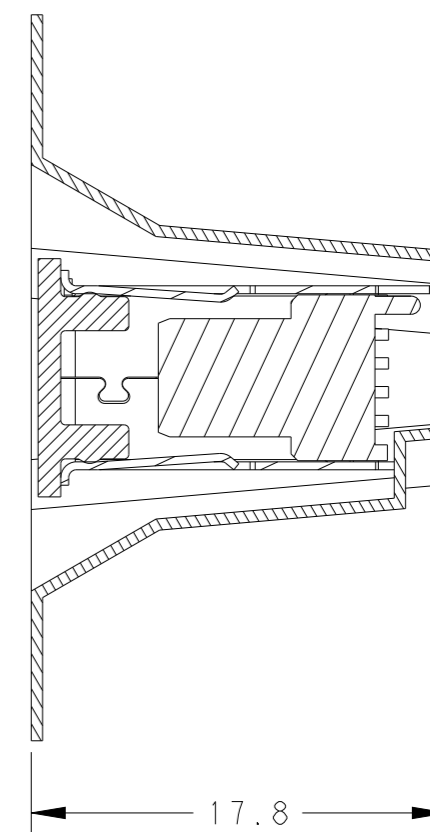
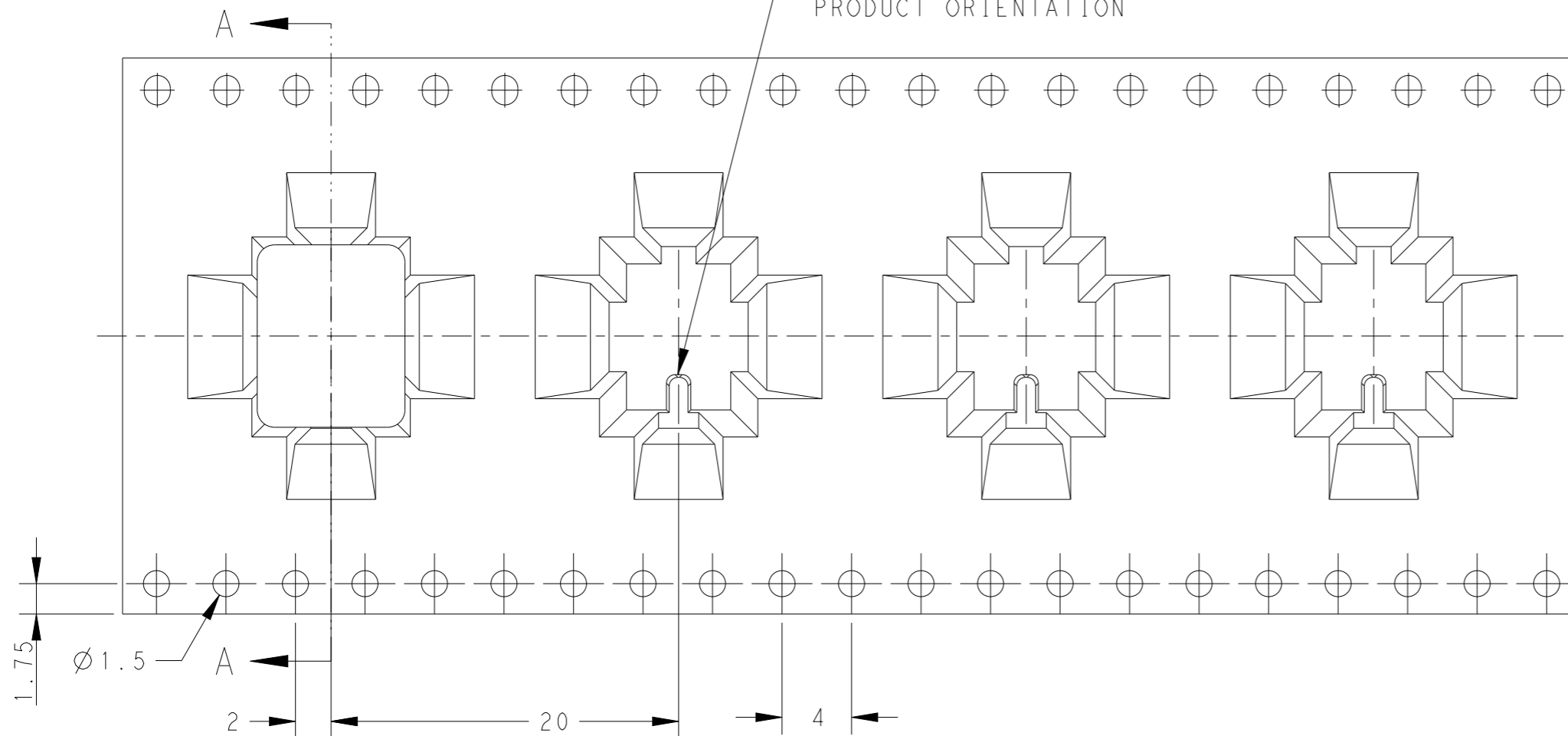
LOC - DIST -

REVISIONS

P	LTR	DESCRIPTION	DATE	DWN	APVD
-	-	SEE SHEET 1	-	-	-

CODING KEY FOR PRODUCT ORIENTATION


SECTION A - A



EMBOSS TAPE

NOTE:
 7 PACKAGE:
 230PCS PER REEL FOR 4-2271656-1

PACKAGE AS SHOWN	4-2271656-1
DESCRIPTION	PART NO

THIS DRAWING IS A CONTROLLED DOCUMENT.		DWN	01DEC2015	 TE Connectivity	NAME SMT VERTICAL MINI I/O RECEPTACLE 1.27mm PITCH
DIMENSIONS: mm		CHK	01DEC2015		
TOLERANCES UNLESS OTHERWISE SPECIFIED:		APVD	01DEC2015		
0 PLC ±- 1 PLC ±- 2 PLC ±- 3 PLC ±- 4 PLC ±- ANGLES ±- MATERIAL - FINISH -		PRODUCT SPEC 108-106087 APPLICATION SPEC - WEIGHT -	SIZE A3		
MATERIAL - FINISH -		CUSTOMER DRAWING		CAGE CODE -	DRAWING NO ©-2271656
SCALE		SHEET		RESTRICTED TO	
4:1		5 OF 5		-	
REV		REV		REV	
C3		C3		C3	