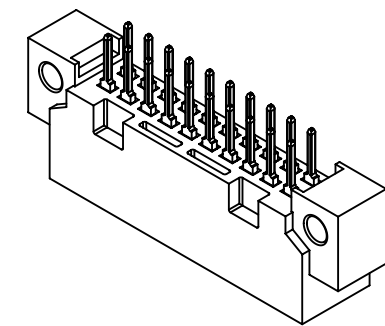
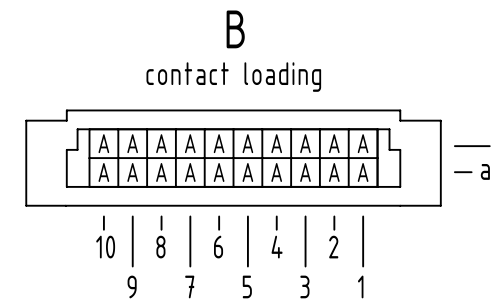
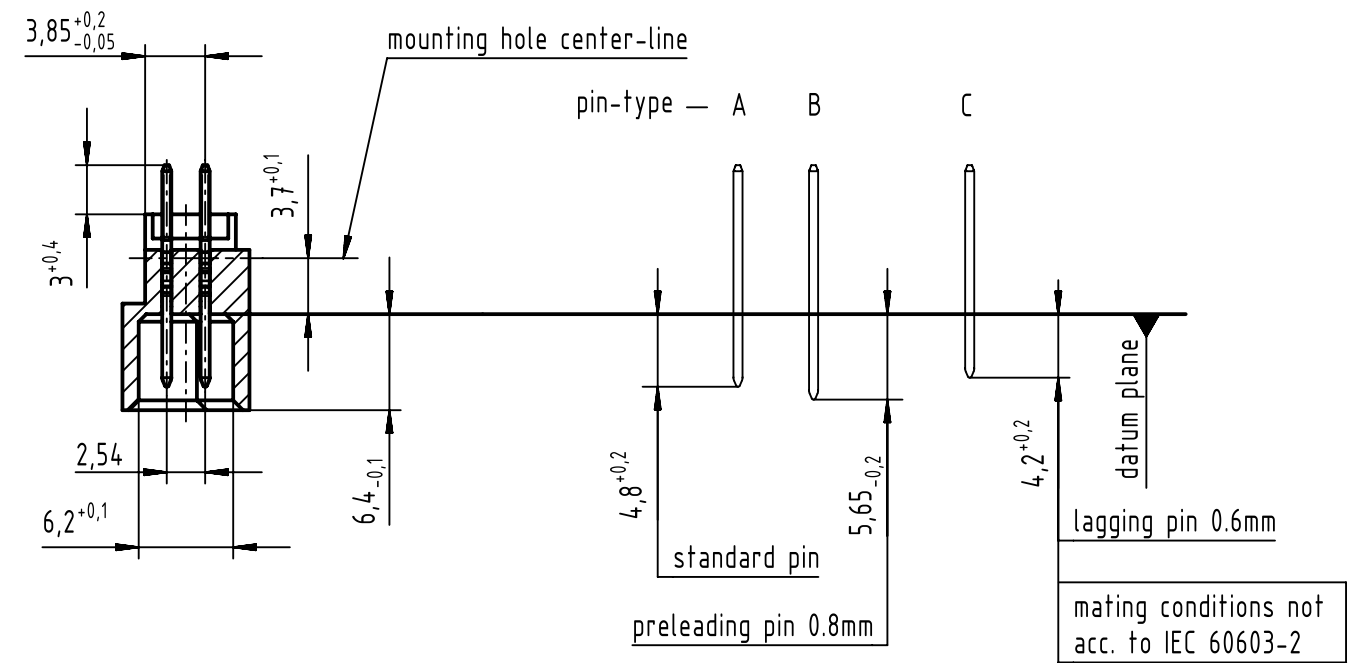


A-A (2:1)



09 24 120 6922	2
part no.	performance level 1

1 further information see: DS 09031200201

<p>All rights reserved Department EC PD - DE</p> <p>HARTING Electronics GmbH D-32339 Espelkamp</p>	<p>All Dimensions in mm Original Size DIN A3</p> <p>Scale 1:1</p> <p>Free size tol. IEC 60603-2</p>	<p>Created by KAHLERK</p> <p>Inspected by LEHNERT</p> <p>Standardisation HOFFMANN</p>	<p>Date 2017-02-03</p> <p>State Final Release</p>	<p>Ref. Sub. TB 0924120X922 / 500000090077 / 2015-06-24</p>
	<p>Title DIN Signal type 3B male solder straight 20-pole</p> <p>Type TB Number 0924120X922</p>			<p>Doc-Key / ECM-Nr. 100172736/UGD/012/C 500000114864</p> <p>Rev. C Page 1/1</p>