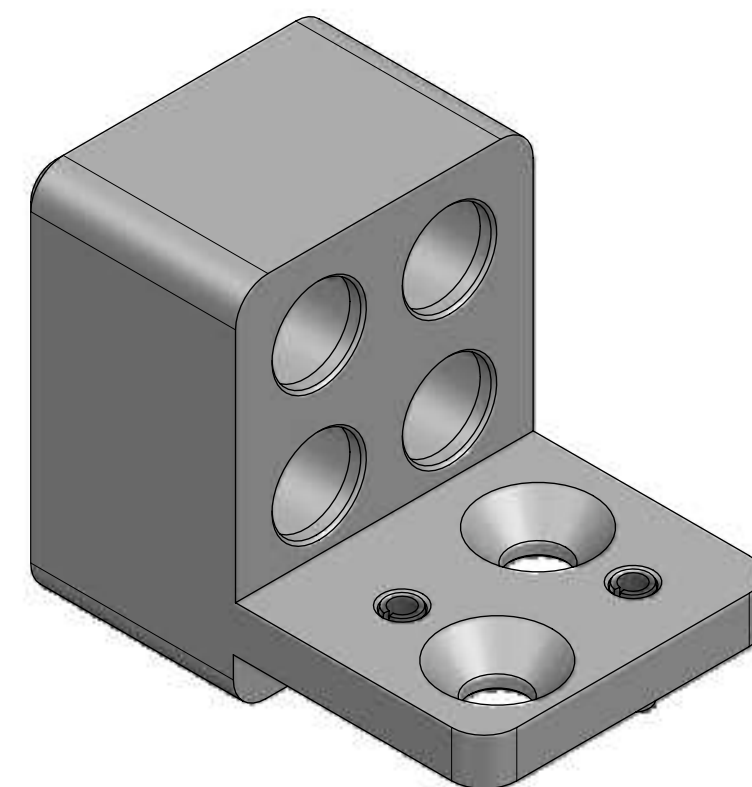
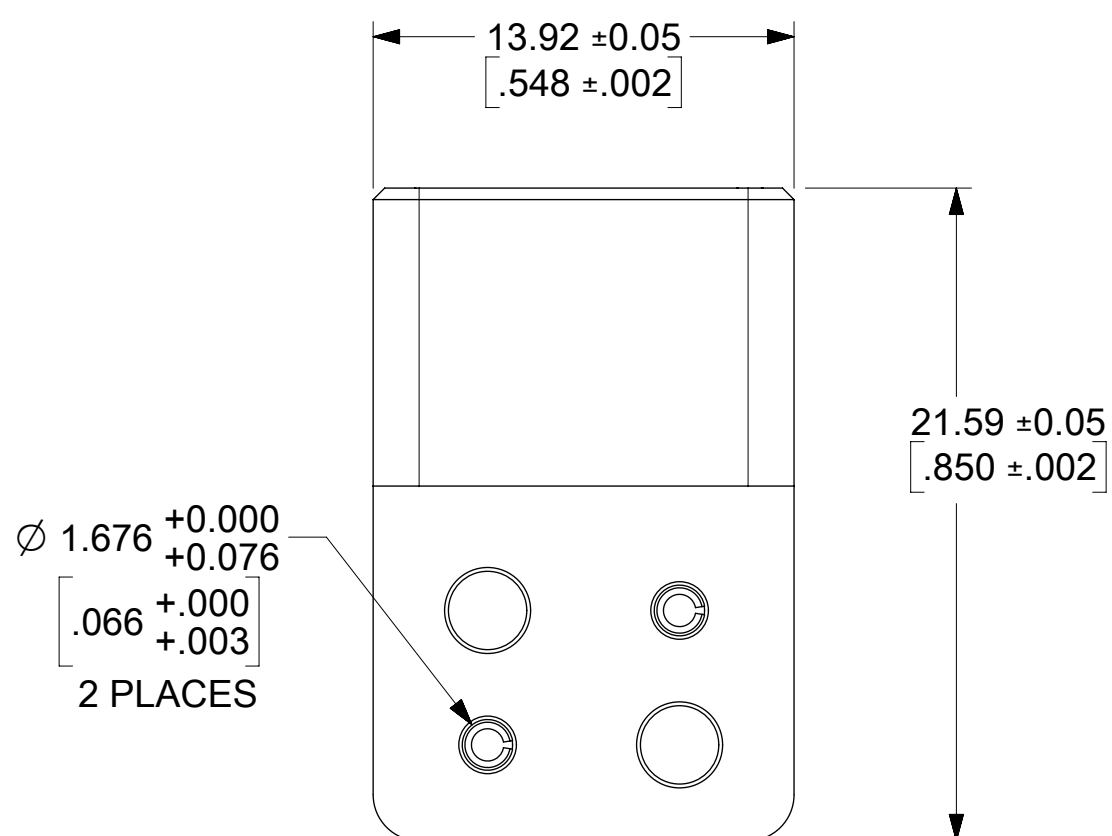
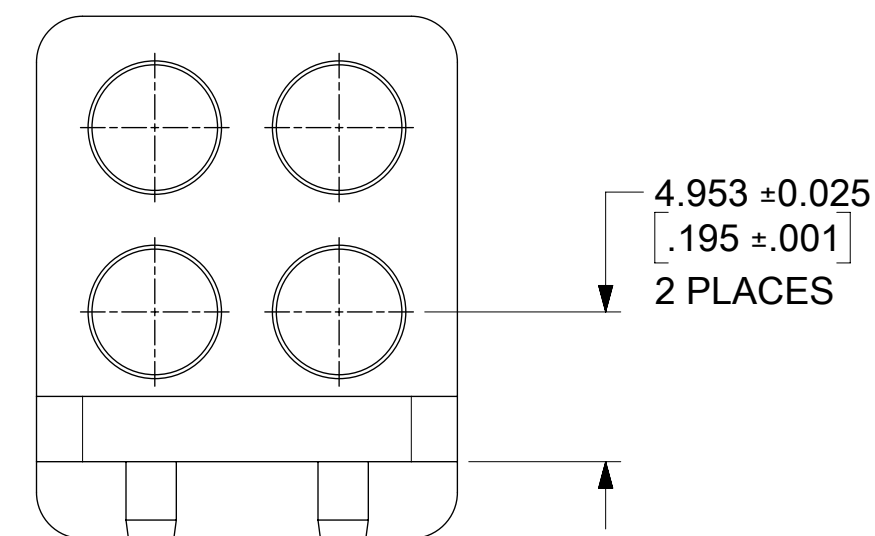
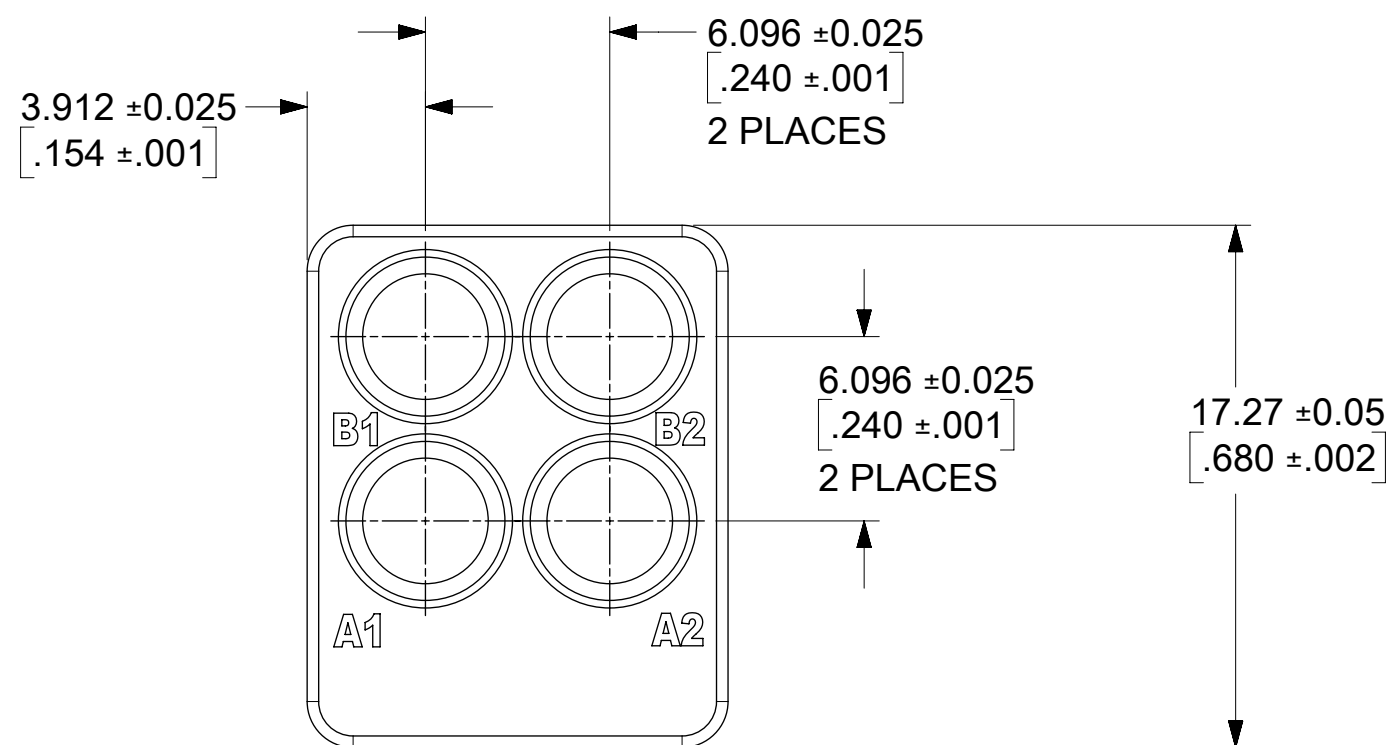
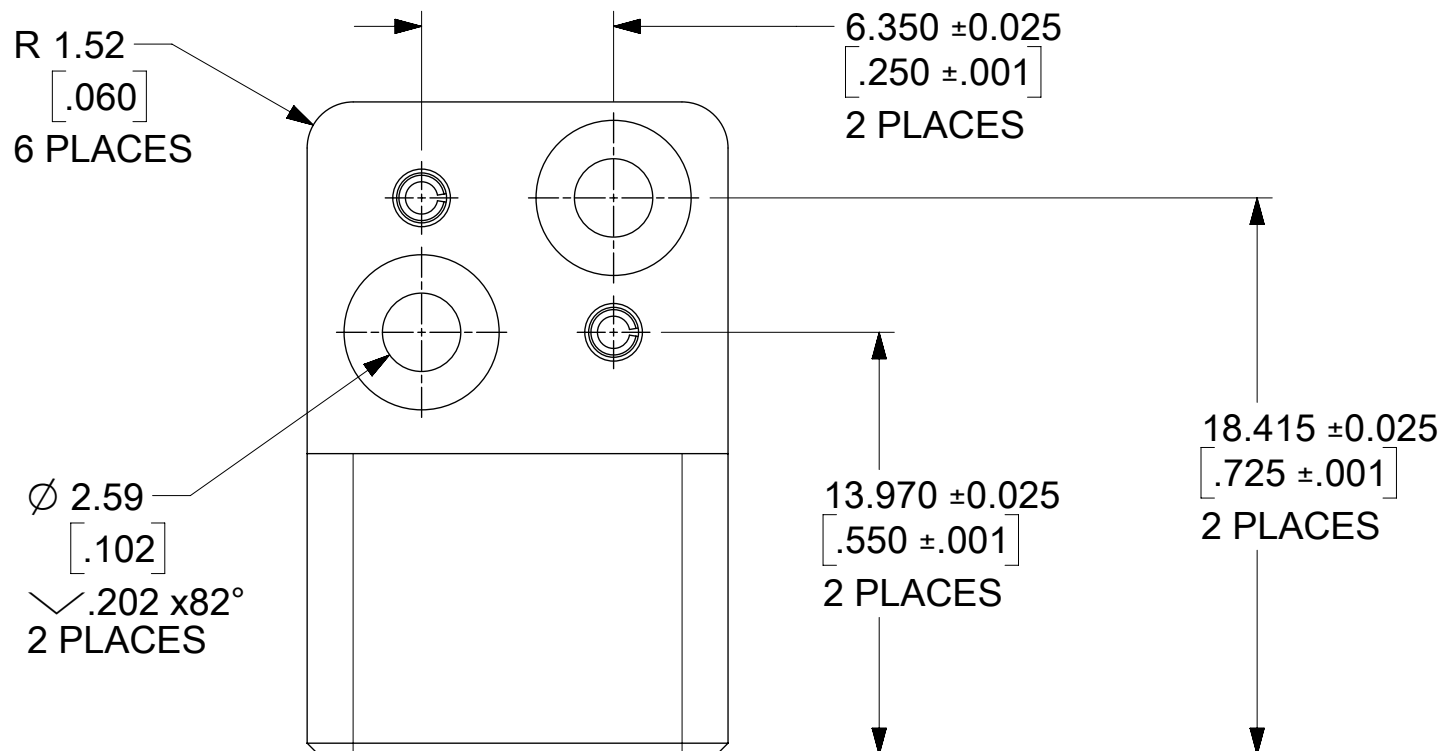
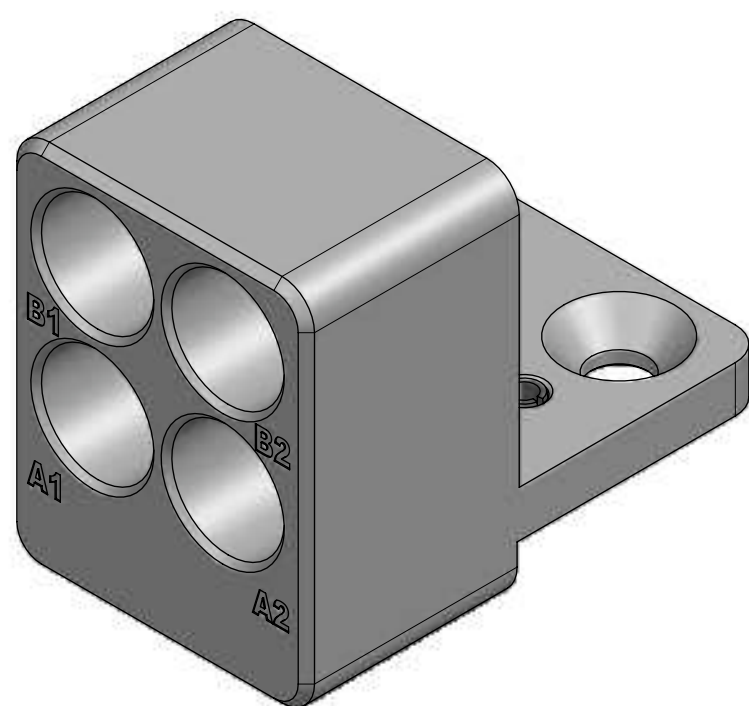
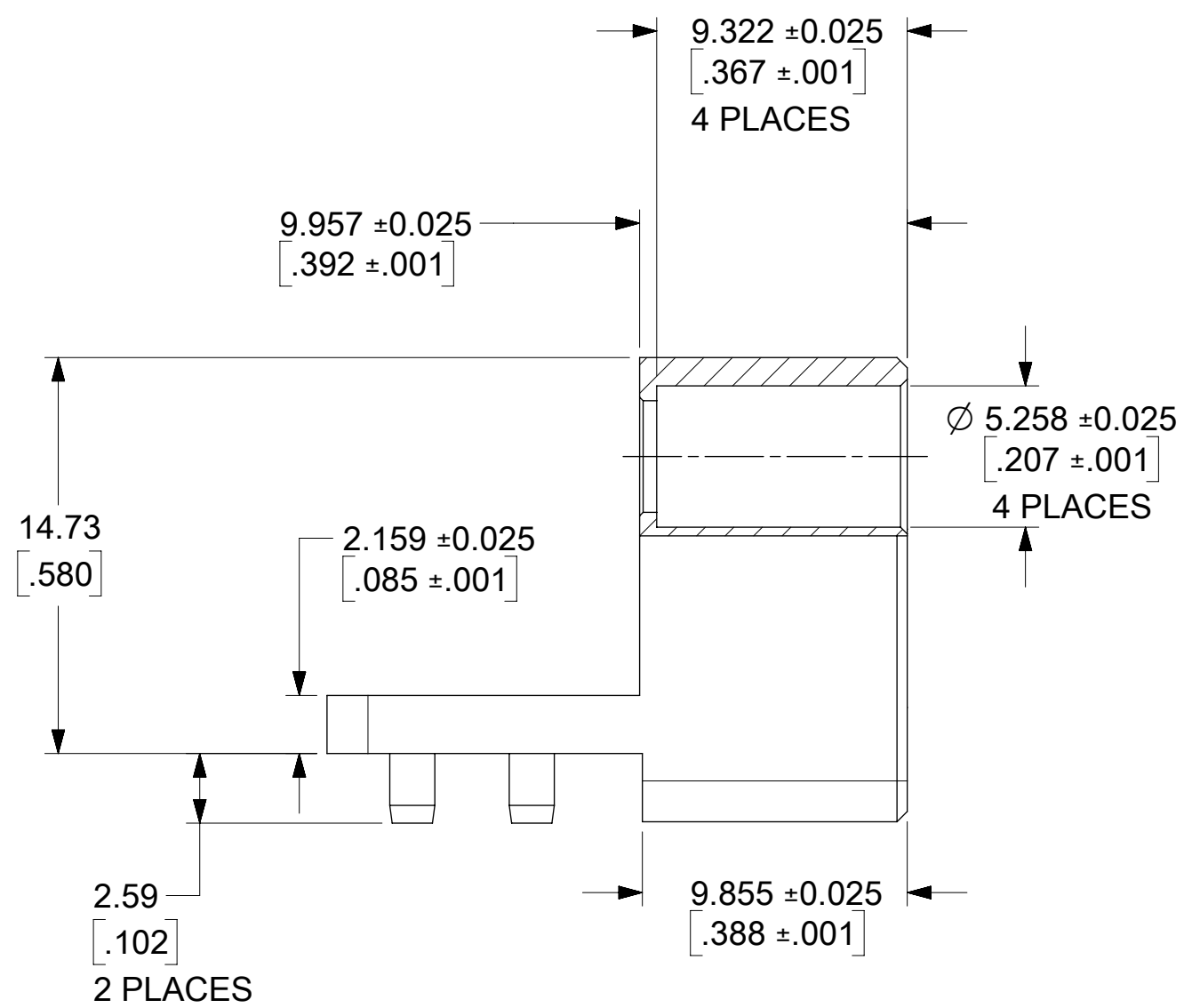


MATERIALS AND FINISHES

HOUSING: STAINLESS
PASSIVATED

ALIGNMENT PINS: STAINLESS STEEL
PASSIVATED



PART # 733581120
SEE PS-89675-470 FOR PCB LAYOUT AND PLACEMENT

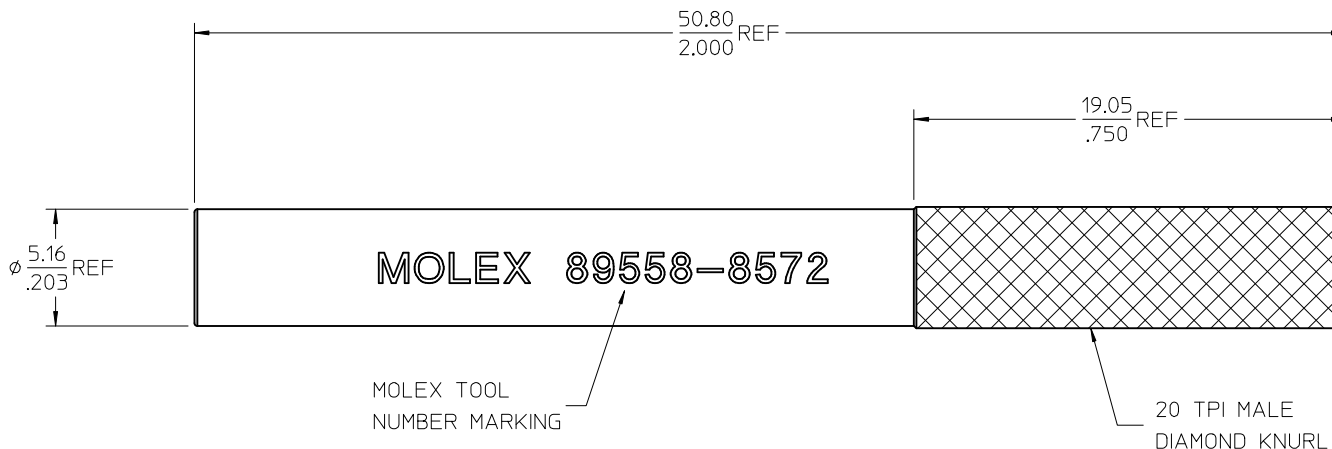
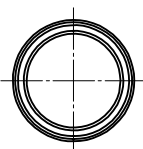
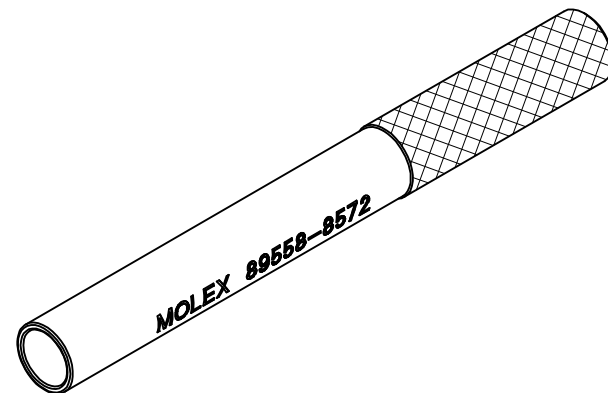
ANSI/VITA 67.1	NATIONAL STANDARD
PS-89675-470	PRODUCT SPECIFICATION
SPECIFICATION	DESCRIPTION

FUNCTIONAL SYMBOLS	THIS DRAWING CONTAINS INFORMATION THAT IS PROPRIETARY TO MOLEX ELECTRONIC TECHNOLOGIES, LLC AND SHOULD NOT BE USED WITHOUT WRITTEN PERMISSION									
	DIMENSION UNITS		SCALE		CURRENT REV DESC:					
	MM/IN		NTS							
	GENERAL TOLERANCES (UNLESS SPECIFIED)									
DIVISIONAL SYMBOLS	4 PLACES ±		MM		INCH		EC NO: 668152			
	3 PLACES ±		± 0.005				DRWN: BSHAH 2021/04/28			
	2 PLACES ±		0.13		0.01		CHK'D: SSSHAH 2021/06/29			
	1 PLACE ±		0.25				APPR: KTAGAN 2021/06/29			
0 PLACES ±						INITIAL REVISION:				
ANGULAR TOL ±		2.0 °				DRWN: AROBERTSON 2013/08/16				
DRAFT WHERE APPLICABLE MUST REMAIN WITHIN DIMENSIONS		THIRD ANGLE PROJECTION		DRAWING		SERIES		MATERIAL NUMBER		CUSTOMER
		C-SIZE		73358		SD-73358-112		733581120		

DOCUMENT STATUS	P1	RELEASE DATE	2021/06/29	14:37:22
-----------------	----	--------------	------------	----------

MATERIAL AND FINISHES

REMOVAL TOOL: STAINLESS STEEL,
PASSIVATED



MOLEX TOOL
NUMBER MARKING

20 TPI MALE
DIAMOND KNURL

EXTRACTION TOOL FOR
REMOVING SMPM JACKS
FROM VITA 67 BLOCKS

PART # 89558-8572

CHG: UPDATED DRAWING EC NO: URF2017-0318 DRAWN: LMEIER 2017/03/06 CHKD: SSS 2017/03/06 APPR: AROBERTSON 2017/03/07 REV: A1	QUALITY SYMBOLS	GENERAL TOLERANCES (UNLESS SPECIFIED)	DIMENSION STYLE	SCALE	DESIGN UNITS	THIRD ANGLE PROJECTION
	$\nabla = 0$ $\nabla = 0$ $\nabla = 0$	mm INCH 4 PLACES ± --- ± --- 3 PLACES ± --- ± --- 2 PLACES ± --- ± --- 1 PLACE ± --- ± --- 0 PLACE ± --- ± ---	MM/IN	INCH	INCH	TITILE SMPM JACK VITA EXTRACTION TOOL EWR-10029-B molex
	DESCRIPTION	ANGULAR ± 2°	DRAWN BY	DATE	DATE	DOCUMENT NO.
	DRAFT WHERE APPLICABLE MUST REMAIN WITHIN DIMENSIONS	MATERIAL NO. 895588572	LMEIER SSS AROBERTSON	2017/02/24 2017/02/27 2017/02/28	SD-89558-857	SHEET NO. 1 OF 1