

注)  
NOTES

- 材質  
MATERIAL  
ハウジング : ガラス入りPPS、茶色、UL94V-0  
HOUSING: G.F.PPS, BROWN, UL94V-0  
ターミナル : 銅合金 (t=0.2)  
TERMINAL: COPPER ALLOY

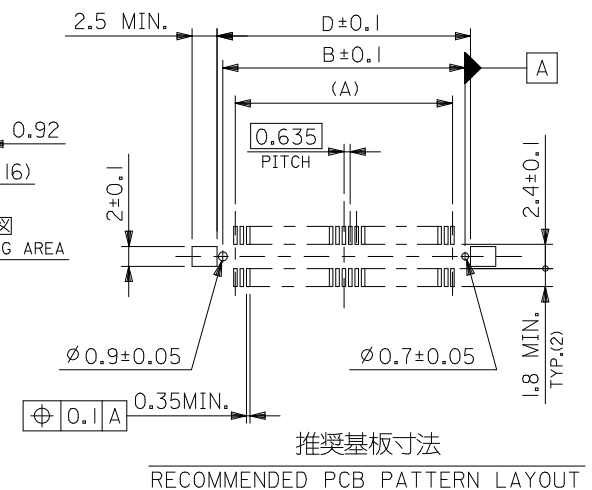
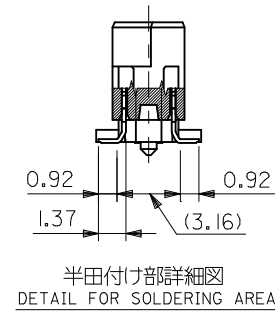
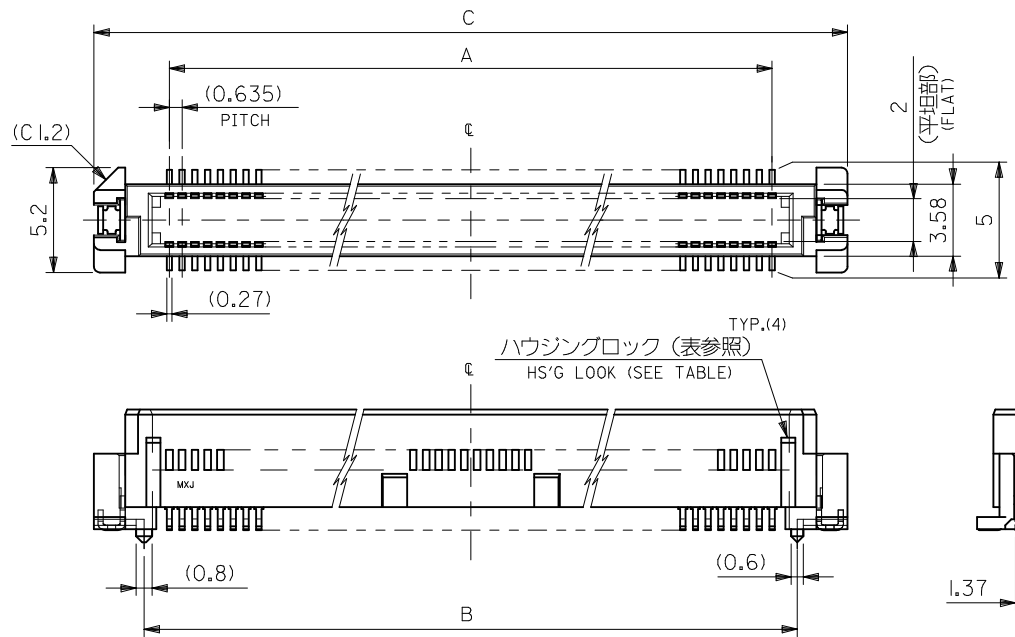
7 mm	52760-***0
基板間寸法 STACKING HEIGHT	嵌合相手 TO BE MATED WITH

- メッキ仕様  
PLATING  
接点部 : 金メッキ 0.25 μmMIN.  
CONTACT AREA: GOLD 0.25 μmMIN.  
半田付け部 : 錫メッキ 1.0 μmMIN.  
SOLDER TAIL AREA: TIN 1.0 μmMIN.  
下地メッキ : ニッケルメッキ 1.5 μmMIN.  
UNDER-PLATING: NICKEL 1.5 μmMIN.

- テールのバラツキ寸法  
TAIL COPLANARITY  
テール平坦度は 0.1MAX. とする。  
TAIL COPLANARITY TO BE 0.1 MAX.
- エンボス対応済みの極数については、SD-53481-002を参照下さい。  
FOR THE EMBOSSED PACKAGE PRODUCTS, SEE SD-53481-002.
- 本製品は53481-\*\*\*7の鉛フリー品である。  
THIS PRODUCT IS LEAD FREE OF 53481-\*\*\*7.

無し NO	34.72	38.62	33.62	31.15	53481-1068	53481-1067	100
有り YES	22.02	25.92	20.92	18.415	53481-0668	53481-0667	60

REVISED EC NO: J2017-0575 DRM/NKTOYODA 2012/01/31 CHKD: TASAKAWA 2012/02/02 APPR: MSASAO 2017/06/29	DESCRIPTION	GENERAL TOLERANCES (UNLESS SPECIFIED)	DIMENSION STYLE MM ONLY	SCALE 4:1	DESIGN UNITS METRIC	THIRD ANGLE PROJECTION					
	REV	0.25 UNDER ±	DRAWN BY H. KAWABATA	DATE '04/3/8	TITLE 0.635 PITCH B-T0-B S/T PLUG HSG ASSY -LEAD FREE-						
		0.25 OVER 0.5 UNDER ±	CHECKED BY K. TOJO	DATE '04/3/8							
		0.5 OVER 1.0 UNDER ±	APPROVED BY M. SASAO	DATE '04/3/8							
	10 OVER 10 UNDER ±0.2	MATERIAL NO.	MODEL NO.	53481-***67	D	C	B	A	エンボス梱包 EMBOSSED PACKAGING	製品番号 MATERIAL NO.	極数 CKT. NO.
	30 OVER ±0.25	ANGULAR ±3 °	SEE CHART	DOCUMENT NO.	SD-53481-001		SHEET NO. 1 OF 1				
	DRAFT WHERE APPLICABLE MUST REMAIN WITHIN DIMENSIONS	SIZE A3	THIS DRAWING CONTAINS INFORMATION THAT IS PROPRIETARY TO MOLEX ELECTRONIC TECHNOLOGIES, LLC AND SHOULD NOT BE USED WITHOUT WRITTEN PERMISSION								



注) NOTES

1. 材質 MATERIAL  
ハウジング : ガラス入りPPS、茶色、UL94V-0  
HOUSING: G.F.PPS, BROWN, UL94V-0  
ターミナル : 銅合金 (t=0.2)  
TERMINAL: COPPER ALLOY

7 mm	52760-***0
基板間寸法 STACKING HEIGHT	嵌合相手 TO BE MATED WITH

2. メッキ仕様 PLATING  
接点部 : 金メッキ 0.25 µmMIN.  
CONTACT AREA: GOLD 0.25 µmMIN.  
半田付け部 : 錫メッキ 1.0 µmMIN.  
SOLDER TAIL AREA: TIN 1.0 µmMIN.  
下地メッキ : ニッケルメッキ 1.5 µmMIN.  
UNDER-PLATING: NICKEL 1.5 µmMIN.

3. テールのバラツキ寸法 TAIL COPLANARITY  
テール平坦度は 0.1MAX. とする。  
TAIL COPLANARITY TO BE 0.1 MAX.

4. エンボス対応済みの極数については、SD-53481-002を参照下さい。  
FOR THE EMBOSSED PACKAGE PRODUCTS, SEE SD-53481-002.

5. 本製品は53481-\*\*\*7の鉛フリー品である。  
THIS PRODUCT IS LEAD FREE OF 53481-\*\*\*7.

無し NO	34.72	38.62	33.62	31.15	53481-1068	53481-1067	100	
有り YES	22.02	25.92	20.92	18.415	53481-0668	53481-0667	60	
MODEL NO.	53481-***67	D	C	B	A	エンボス梱包 EMBOSSED PACKAGING	製品番号 MATERIAL NO.	極数 CKT. NO.

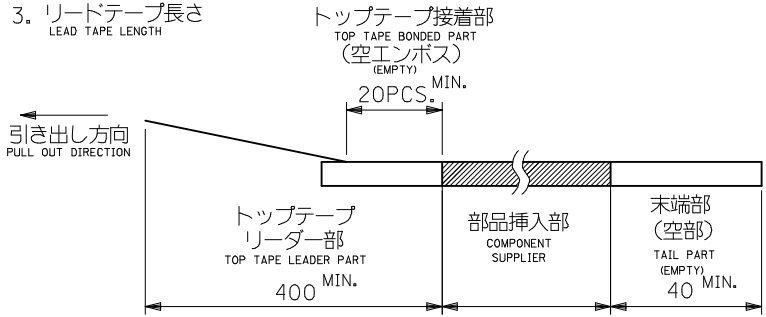
REVISED EC NO: J2017-0575 DRM/NKTOYODA 2012/01/31 CHKD: TASAKAWA 2012/02/02 APPR: MSASAO 2017/06/29	DESCRIPTION	GENERAL TOLERANCES (UNLESS SPECIFIED)	DIMENSION STYLE MM ONLY	SCALE 4:1	DESIGN UNITS METRIC	THIRD ANGLE PROJECTION
	REV	0.25 UNDER ±	DRAWN BY H. KAWABATA	DATE '04/3/8	TITLE 0.635 PITCH B-T0-B S/T PLUG HSG ASSY -LEAD FREE-	
		0.25 OVER 0.5 UNDER ±	CHECKED BY K. TOJO	DATE '04/3/8		
		0.5 OVER 1.0 UNDER ±	APPROVED BY M. SASAO	DATE '04/3/8		
	10 OVER 10 UNDER ±0.2	MATERIAL NO.	DOCUMENT NO.	SEE CHART	SD-53481-001	SHEET NO. 1 OF 1
	30 OVER ±0.25	DRAFT WHERE APPLICABLE MUST REMAIN WITHIN DIMENSIONS		SIZE A3	THIS DRAWING CONTAINS INFORMATION THAT IS PROPRIETARY TO MOLEX ELECTRONIC TECHNOLOGIES, LLC AND SHOULD NOT BE USED WITHOUT WRITTEN PERMISSION	

注) NOTES

1. 製品番号 53481-\*\*\*67 の詳細寸法については、SD-53481-001 を参照下さい。  
 IN THE PACKAGE, PART NO. 53481-\*\*\*67 DETAILED DIMENSIONS, SEE SD-53481-001.

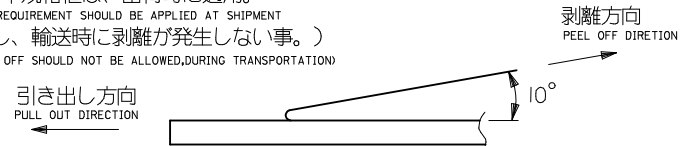
2. 梱包数量 : NUMBER OF CONNECTORS :

CIRCUITS	NUMBER
OTHERS	1000 PCS/REEL
240	800 PCS/REEL



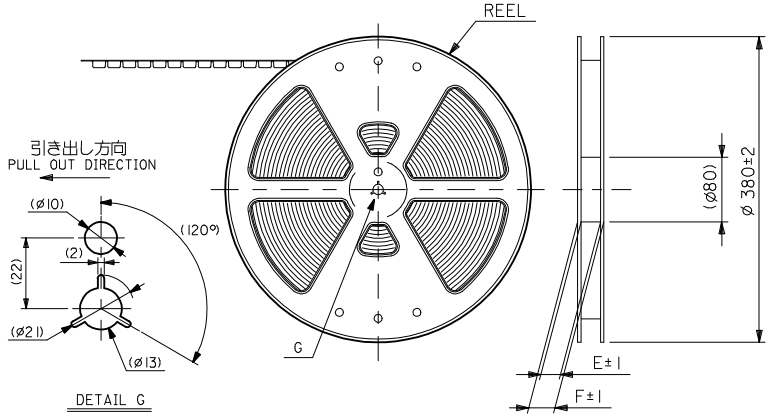
4. トップテープの剥離強度 (剥離方向は下図参照)  
 PEELING OFF FORCE OF TOP TAPE (PEELING DIRECTION AS SHOWN IN FOLLOWING FIG.)  
 0. 1~1. 3N {10~130gf} ; キャリアテープ幅 24mm~104mm  
 0.1~1.3N {10~130gf} ; キャリアテープ幅 24mm~104mm

尚、本規格値は、出荷時に適用。  
 THIS REQUIREMENT SHOULD BE APPLIED AT SHIPMENT  
 (但し、輸送時に剥離が発生しない事。)  
 (PEEL OFF SHOULD NOT BE ALLOWED, DURING TRANSPORTATION)

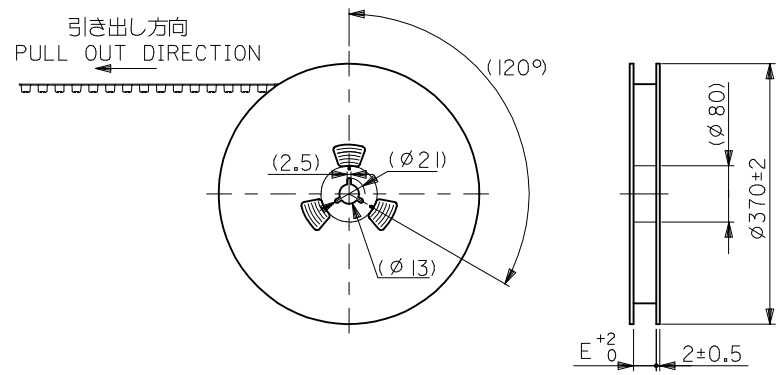


5. 材料 MATERIAL  
 キャリアテープ : ポリプロピレン (PP)  
 CARRIER TAPE : POLYPROPYLENE (PP)  
 トップテープ : PET, PE, PEF  
 TOP TAPE : PET, PE, PEF  
 リール : キャリアテープ幅 24mm~56mm : ポリスチレン  
 REEL : CARRIER TAPE WIDTH 24mm-56mm ; POLYSTYRENE  
 キャリアテープ幅 72mm~104mm : 紙  
 CARRIER TAPE WIDTH 72mm-104mm ; CARD BOARD

6. 本製品は53481-\*\*\*8の鉛フリー品である。  
 THIS PRODUCT IS LEAD FREE OF 53481-\*\*\*8.



キャリアテープ幅 : 24mm~56mm  
 CARRIER TAPE WIDTH : 24mm-56mm



キャリアテープ幅 : 72mm~104mm  
 CARRIER TAPE WIDTH : 72mm-104mm

53481-\*\*\*68  
 MODEL NO.

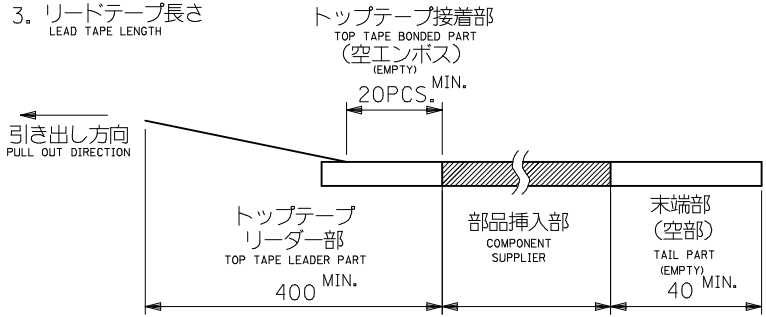
REVISED EC NO: J2017-0575 DRW/NK: Y00DA 2012/02/01 CHKD: TASAKAWA 2012/02/02 APPR: MSASAO 2017/06/29	GENERAL TOLERANCES (UNLESS SPECIFIED)	DIMENSION STYLE MM ONLY	SCALE ---	DESIGN UNITS METRIC	THIRD ANGLE PROJECTION
	0.25 UNDER ±	DRAWN BY H. KAWABATA	DATE '04/03/08	TITLE 53481-***87 TAPING PACKAGE -LEAD FREE-	
	0.25 OVER 0.5 UNDER ±	CHECKED BY K. TOJO	DATE '04/03/08	DOCUMENT NO. <b>molex</b> SD-53481-002	
	0.5 OVER 1.0 UNDER ±	APPROVED BY M. SASAO	DATE '04/03/08		
10 OVER 30 UNDER ±---	MATERIAL NO.	SEE CHART	SHEET NO. 1 OF 2		
30 OVER ±---	DRAFT WHERE APPLICABLE MUST REMAIN WITHIN DIMENSIONS				
ANGULAR ±--- °	SIZE A3	THIS DRAWING CONTAINS INFORMATION THAT IS PROPRIETARY TO MOLEX ELECTRONIC TECHNOLOGIES, LLC AND SHOULD NOT BE USED WITHOUT WRITTEN PERMISSION			

注) NOTES

1. 製品番号 53481-\*\*\*67 の詳細寸法については、SD-53481-001 を参照下さい。  
 IN THE PACKAGE, PART NO. 53481-\*\*\*67 DETAILED DIMENSIONS, SEE SD-53481-001.

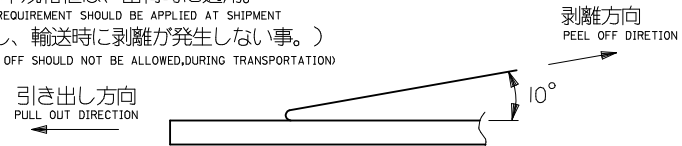
2. 梱包数量 : NUMBER OF CONNECTORS :

CIRCUITS	NUMBER
OTHERS	1000 PCS/REEL
240	800 PCS/REEL



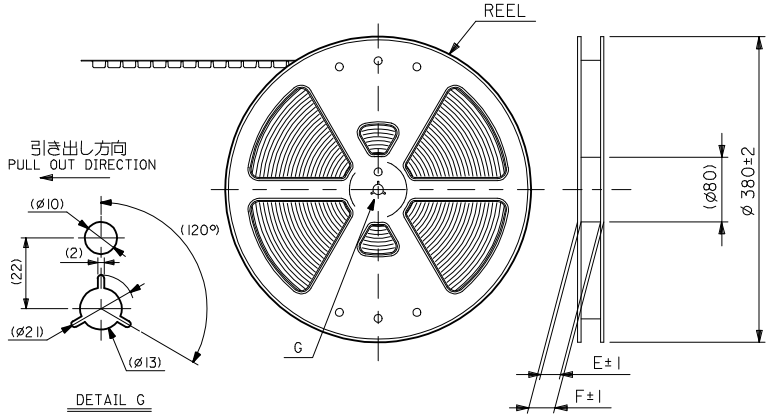
4. トップテープの剥離強度 (剥離方向は下図参照)  
 PEELING OFF FORCE OF TOP TAPE (PEELING DIRECTION AS SHOWN IN FOLLOWING FIG.)  
 0. 1~1. 3N {10~130gf} ; キャリアテープ幅 24mm~104mm  
 0.1~1.3N {10~130gf} ; キャリアテープ幅 24mm~104mm

尚、本規格値は、出荷時に適用。  
 THIS REQUIREMENT SHOULD BE APPLIED AT SHIPMENT  
 (但し、輸送時に剥離が発生しない事。)  
 (PEEL OFF SHOULD NOT BE ALLOWED, DURING TRANSPORTATION)

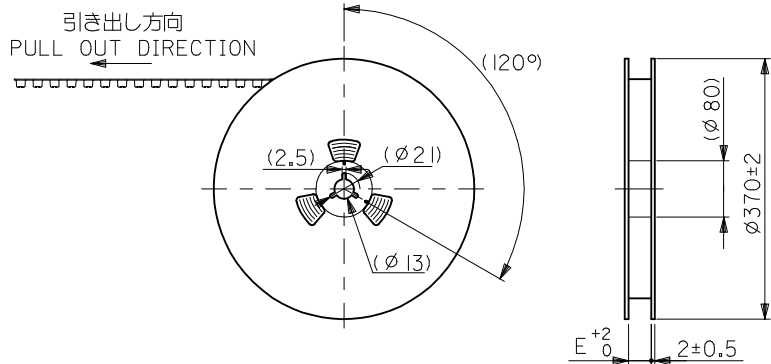


5. 材料 MATERIAL  
 キャリアテープ : ポリプロピレン (PP)  
 CARRIER TAPE : POLYPROPYLENE (PP)  
 トップテープ : PET, PE, PEF  
 TOP TAPE : PET, PE, PEF  
 リール : キャリアテープ幅 24mm~56mm : ポリスチレン  
 REEL : CARRIER TAPE WIDTH 24mm-56mm ; POLYSTYRENE  
 キャリアテープ幅 72mm~104mm : 紙  
 CARRIER TAPE WIDTH 72mm-104mm ; CARD BOARD

6. 本製品は53481-\*\*\*8の鉛フリー品である。  
 THIS PRODUCT IS LEAD FREE OF 53481-\*\*\*8.



キャリアテープ幅 : 24mm~56mm  
 CARRIER TAPE WIDTH : 24mm-56mm



キャリアテープ幅 : 72mm~104mm  
 CARRIER TAPE WIDTH : 72mm-104mm

53481-\*\*\*68  
 MODEL NO.

REVISED EC NO: J2017-0575 DRW/NK:Y00DA 2012/02/01 CHKD:TASAKAWA 2012/02/02 APPR:MSASAO 2017/06/29	GENERAL TOLERANCES (UNLESS SPECIFIED)	DIMENSION STYLE MM ONLY	SCALE ---	DESIGN UNITS METRIC	THIRD ANGLE PROJECTION
	0.25 UNDER ±	DRAWN BY H. KAWABATA	DATE '04/03/08	TITLE 53481-***87 TAPING PACKAGE -LEAD FREE-	
	0.25 OVER 0.5 UNDER ±	CHECKED BY K. TOJO	DATE '04/03/08	DOCUMENT NO. <b>molex</b> SD-53481-002	
	0.5 OVER 1.0 UNDER ±	APPROVED BY M. SASAO	DATE '04/03/08		
10 OVER 30 UNDER ±---	MATERIAL NO.	SEE CHART	SHEET NO. 1 OF 2		
30 OVER ±---	DRAFT WHERE APPLICABLE MUST REMAIN WITHIN DIMENSIONS				
ANGULAR ±--- °	SIZE A3	THIS DRAWING CONTAINS INFORMATION THAT IS PROPRIETARY TO MOLEX ELECTRONIC TECHNOLOGIES, LLC AND SHOULD NOT BE USED WITHOUT WRITTEN PERMISSION			

10 9 8 7 6 5 4 3 2 1

F

E

D

C

B

A

F

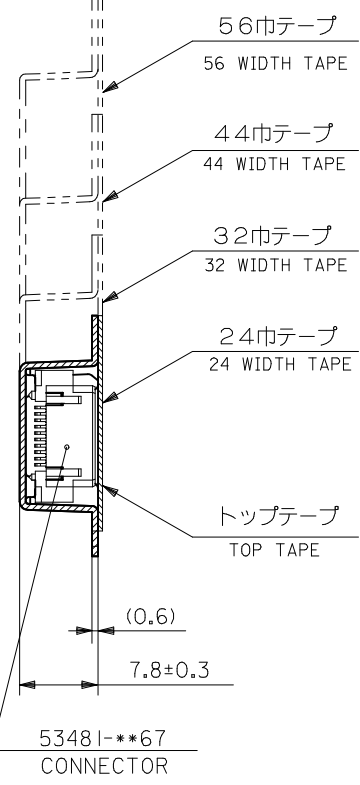
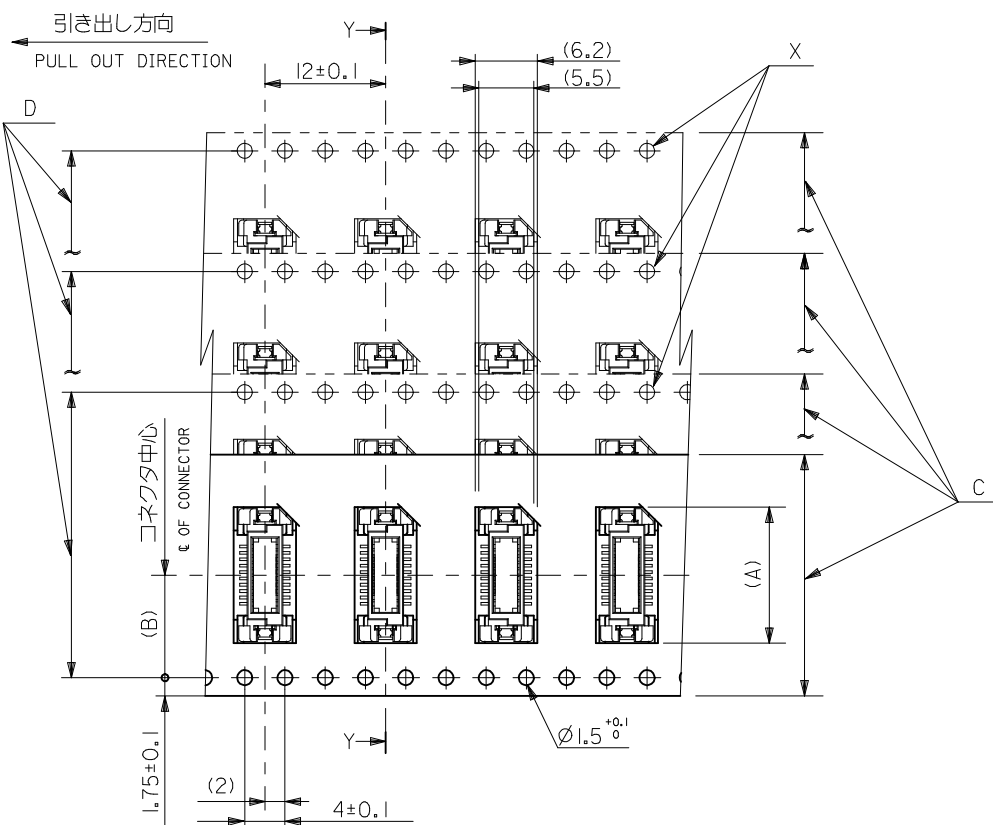
E

D

C

B

A



断面 Y-Y  
SECTION Y-Y

累積ピッチ : 40±0.2  
ACCUMULATIVE PITCH : 40±0.2

61.4	57.4	52.4	56 <sup>+0.3</sup>	26.2	38.9	53481-1068	100
49.4	45.4	40.4	44 <sup>+0.3</sup>	20.2	26.2	53481-0668	60
F	E	D	C キャリアテープ幅 CARRIER TAPE WIDTH	(B)	(A)	MATERIAL NO.	極数 NO. OF CKTS.
						MODEL NO.	53481-***68

REVISED EC NO: J2017-0575 DRW: NIK TOYODA CHKD: TASAKAWA APPR: MSASAO	DESCRIPTION 2012/02/01 2012/02/02 2017/06/29	GENERAL TOLERANCES (UNLESS SPECIFIED)		DIMENSION STYLE MM ONLY		SCALE	DESIGN UNITS METRIC	THIRD ANGLE PROJECTION	
		0.25 UNDER	±	DRAWN BY	DATE	TITLE			
		0.25 OVER 0.5 UNDER	±	H. KAWABATA	'04/03/08	53481-***87 TAPING PACKAGE -LEAD FREE-			
		0.5 OVER 1.0 UNDER	±	CHECKED BY	DATE	<b>molex</b>			
1.0 OVER 10 UNDER	± ---	K. TOJO	'04/03/08						
10 OVER 30 UNDER	± ---	APPROVED BY	DATE	DOCUMENT NO.		SHEET NO.			
30 OVER	± ---	M. SASAO	'04/03/08	SD-53481-002		2 OF 2			
ANGULAR	± --- °	MATERIAL NO.		SEE TABLE					
DRAFT WHERE APPLICABLE MUST REMAIN WITHIN DIMENSIONS				SIZE A3	THIS DRAWING CONTAINS INFORMATION THAT IS PROPRIETARY TO MOLEX ELECTRONIC TECHNOLOGIES, LLC AND SHOULD NOT BE USED WITHOUT WRITTEN PERMISSION				

9 8 7 6 5 4 3 2 1

10 9 8 7 6 5 4 3 2 1

F

E

D

C

B

A

F

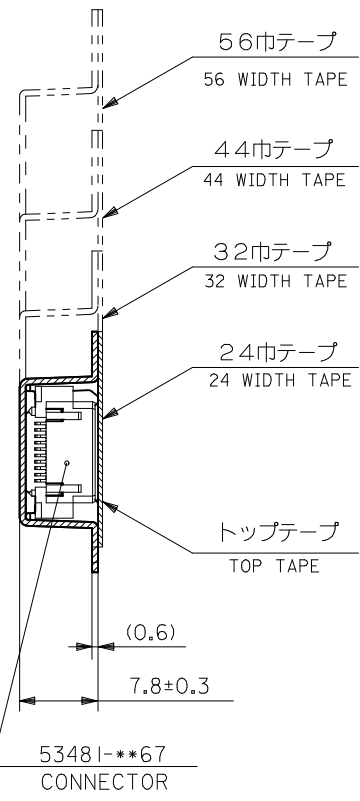
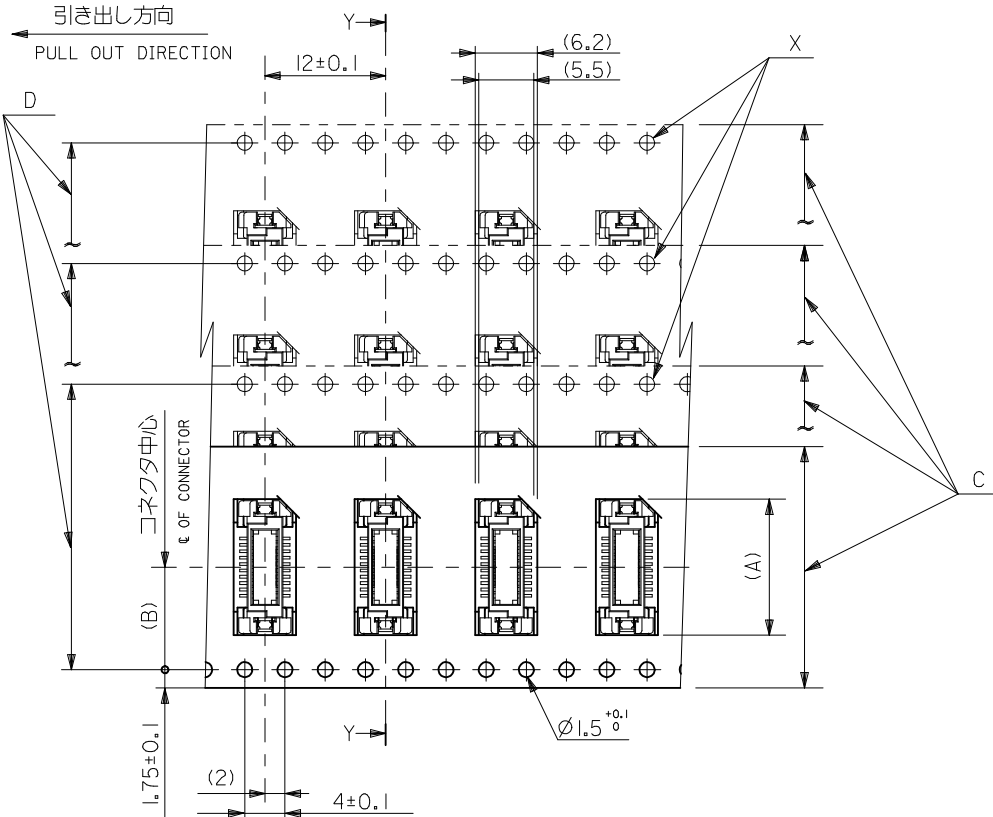
E

D

C

B

A



断面 Y-Y  
SECTION Y-Y

61.4	57.4	52.4	56 <sup>+0.3</sup>	26.2	38.9	53481-1068	100
49.4	45.4	40.4	44 <sup>+0.3</sup>	20.2	26.2	53481-0668	60
F	E	D	C キャリアテープ幅 CARRIER TAPE WIDTH	(B)	(A)	MATERIAL NO.	極数 NO. OF CKTS.
						MODEL NO.	53481-**68

REVISED EC NO: J2017-0575 DRW: NIK TOYODA 2012/02/01 CHKD: TASAKAWA 2012/02/02 APPR: MSASAO 2017/06/29	GENERAL TOLERANCES (UNLESS SPECIFIED)		DIMENSION STYLE MM ONLY		SCALE	DESIGN UNITS METRIC	THIRD ANGLE PROJECTION
	0.25 UNDER	±	DRAWN BY	DATE	TITLE		
	0.25 OVER 0.5 UNDER	±	H. KAWABATA	'04/03/08	53481-**87 TAPING PACKAGE -LEAD FREE-		
	0.5 OVER 1.0 UNDER	±	CHECKED BY	DATE	<b>molex</b>		
	1.0 OVER 10 UNDER	± ---	K. TOJO	'04/03/08			
10 OVER 30 UNDER	± ---	APPROVED BY	DATE	DOCUMENT NO.	SHEET NO.		
30 OVER	± ---	M. SASAO	'04/03/08	SD-53481-002	2 OF 2		
ANGULAR	± --- °	MATERIAL NO.		SEE TABLE			
DRAFT WHERE APPLICABLE MUST REMAIN WITHIN DIMENSIONS		SIZE A3	THIS DRAWING CONTAINS INFORMATION THAT IS PROPRIETARY TO MOLEX ELECTRONIC TECHNOLOGIES, LLC AND SHOULD NOT BE USED WITHOUT WRITTEN PERMISSION				

9 8 7 6 5 4 3 2 1