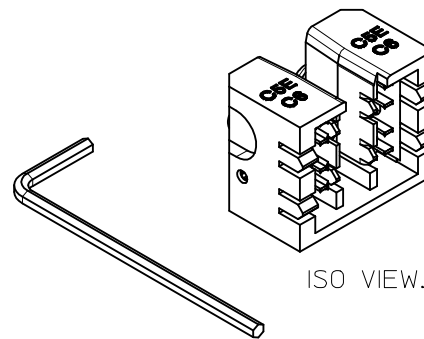


NOTES:

- 1) MATERIAL:
 - A) UTP LACING HEAD : ZAMAK 2.
 - B) ALLEN KEY : ALLOY STEEL.
 - C) SCREW : S45C (CARBON STEEL)
- 2) FINISH :LACING HEAD : BRITE NICKLE OVER COPPER UNDERPLATE
SCREW : BLACK OXIDE
- 3) PACKING : LACING HEAD AND ALLEN KEY ARE PACKED IN A ZIP LOCK BAG WHICH IS WRAPPED IN A BUBBLE SHEET.



ISO VIEW.

MPN NO.	SAP NO.
31.0012	182520003

ENTER DESCRIPTION EC NO: MTS2015-0015 DRWN:RKIVADAR CHKD:RCG APPR:RCG	2014/10/28 2014/10/28 2014/12/10	QUALITY SYMBOLS FA=0 FE=0 FF=0	GENERAL TOLERANCES (UNLESS SPECIFIED)		DIMENSION STYLE MM/IN		SCALE 2:1	DESIGN UNITS METRIC	THIRD ANGLE PROJECTION			
				mm	INCH	DRAWN BY MBJ	DATE 2012/09/17	TITLE LACING HEAD UTP				
			4 PLACES	± ---	± ---	CHECKED BY RCG	DATE 2012/10/04	<div style="text-align: center; font-size: 2em; font-weight: bold;">molex</div>				
			3 PLACES	± ---	± ---	APPROVED BY RCG	DATE 2012/10/09					
2 PLACES	± ---	± ---	MATERIAL NO. SEE CHART		DOCUMENT NO. SD-18252-001	SHEET NO. 1 OF 1						
1 PLACE	± ---	± ---	DRAFT WHERE APPLICABLE MUST REMAIN WITHIN DIMENSIONS		THIS DRAWING CONTAINS INFORMATION THAT IS PROPRIETARY TO MOLEX INCORPORATED AND SHOULD NOT BE USED WITHOUT WRITTEN PERMISSION							
0 PLACE	± ---	± ---										