

## Global Change Notification (GCN)

Product Family .093 Pin and Socket Plug Housing 10649998

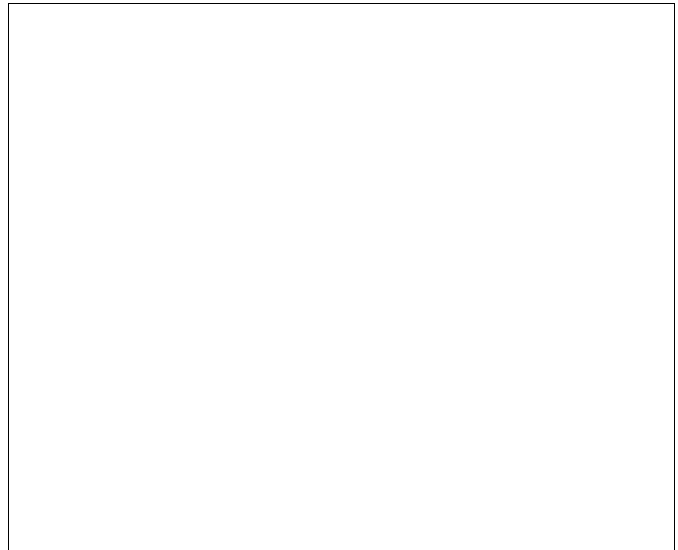
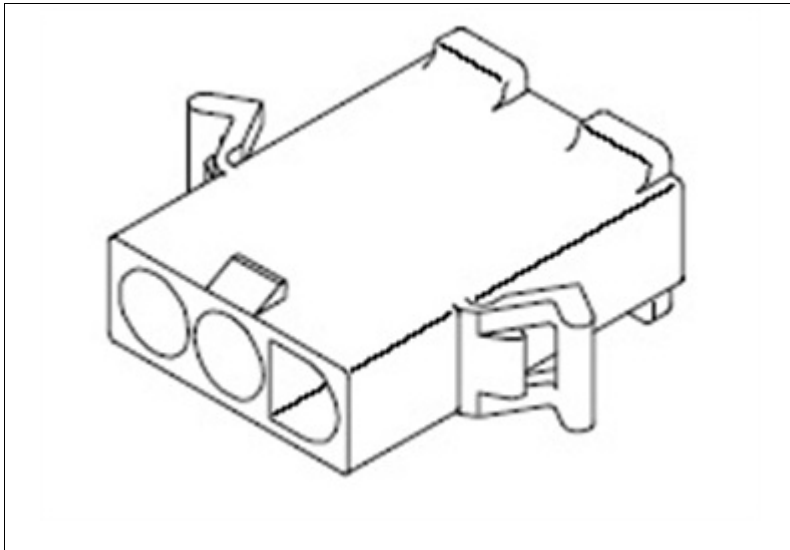
GCN Number

Series 42191 August 21, 2014

Date Issued

Reason For Change Obsolescence

Change Description The molds used to make housing series 42191 are worn beyond repair and are no longer able to make acceptable product.



Part Numbers Affected Please refer to CustomerPartList.csv attached to e-mail message.

Reason For Short Notice Exception Force Majeure

Assessment Of Change (How Product Will Be Qualified & Validated)

Internal Molex Qualification Date (Planned Date Information Available)

Sample Availability Date (Changed Part)

Date of Implementation August 31, 2014

Method of Identifying Change Not Applicable

Recommended Replacement Parts Not Applicable

Last Time Buy Date for Obsolete Parts August 31, 2014

Last Time Ship Date for Obsolete Parts August 31, 2014

| Contact   | Name  | E-mail                     | Phone Number    |
|---|---|----------------------------|-----------------|
| Sales Engineer  | Please refer to e-mail message for your local sales engineer. |                            |                 |
| Regional Coordinator<br>(Japan and Korea)                 | Naomi Maruyama  | Naomi.Maruyama@molex.co.jp | +81-46-265-2416 |
| Regional Coordinator<br>(Asia- excluding Japan and Korea) | Allen Yu  | Allen.Yu@molex.com         | +886-2-66251751 |
| Regional Coordinator<br>(Europe, Middle East, Africa)     | QuiNann Lim   | QuiNann.Lim@molex.com      | +31-40-295-8472 |
| Regional Coordinator<br>(Americas)                        | Maria Sullivan  | Maria.Sullivan@molex.com   | 1-727-322-4352  |

**Molex, Inc.**  
 2222 Wellington Court  
 Lisle, IL 60532  
 TEL: 630-969-4747  
[www.molex.com](http://www.molex.com)