

6

5

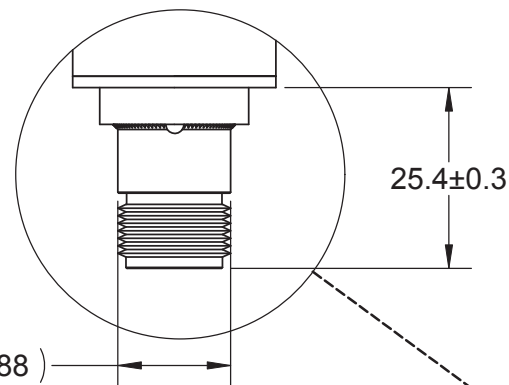
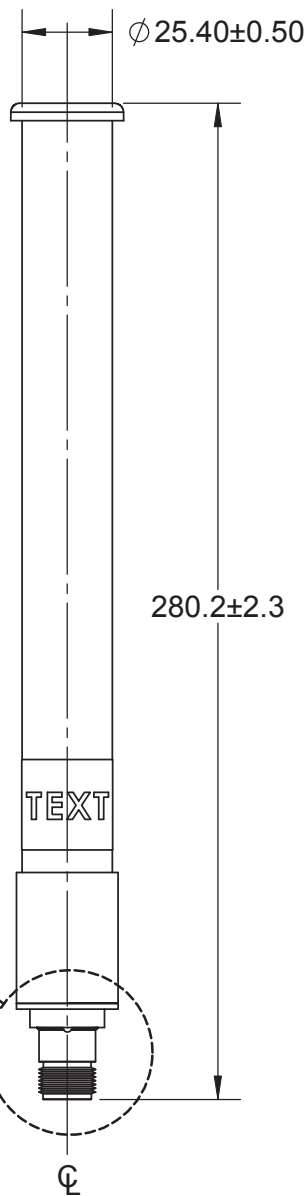
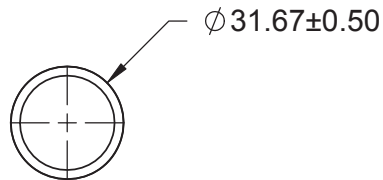
4

3

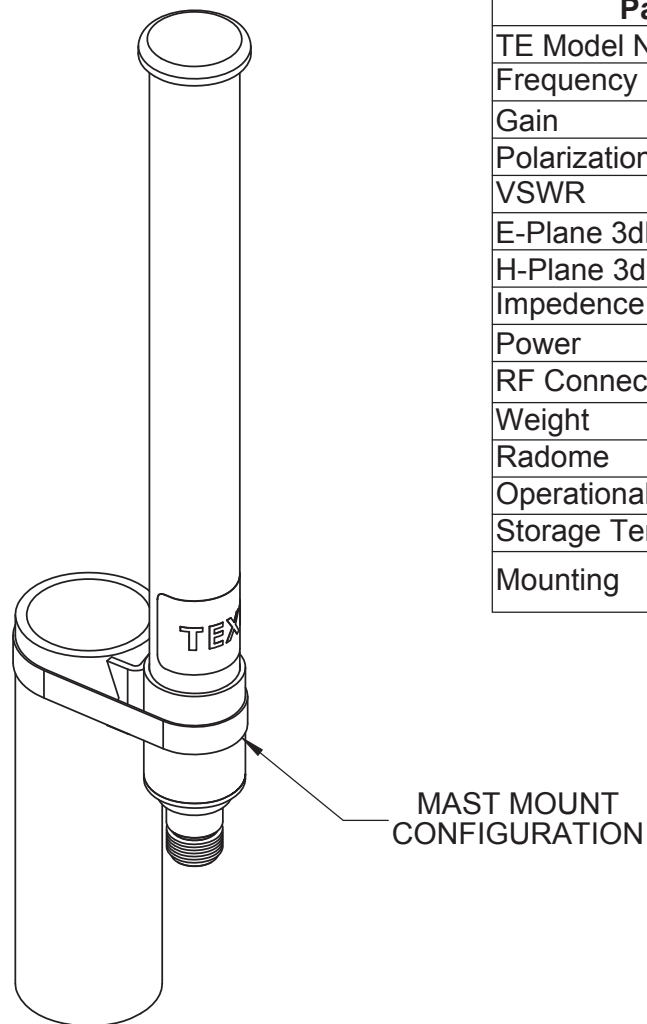
2

1

REVISIONS					
REV.	ECR#	ZONE	DESCRIPTION	CHANGED BY/DATE	APPROVED BY/DATE
AA			INITIAL RELEASE	K.S. 04-29-11	K.S. 04-29-11



DETAIL A
SCALE 1 : 1



Parameter	Performance
TE Model Number	OC24527-FNF
Frequency	2400-2500MHz / 5150-5875MHz
Gain	4.5dBi / 8dBi
Polarization	Linear, Vertical
VSWR	2.0:1, Typical
E-Plane 3dB Beamwidth	25° / 14°
H-Plane 3dB Beamwidth	Omnidirectional
Impedence	50 Ohms
Power	10 Watts
RF Connector	Type N, Female, Fixed, Tri-Metal
Weight	0.15 kg W/out Hardware Kit
Radome	Polycarbonate, UV, White
Operational Temperature	-30°C to +70°C
Storage Temperature	-40°C to +85°C
Mounting	Connector Fixed or Mast Mount Kit, Upright and Inverted Orientation

D

D

C

C

B

B

A

A

THIS DRAWING IS UNPUBLISHED.	RELEASED FOR PUBLICATION -,-
© Copyright 2022 TE Connectivity Ltd.	ALL RIGHTS RESERVED.

MATERIAL: N/A		THIRD ANGLE PROJECTION	
FINISH: N/A		DO NOT SCALE DRAWING	
APPROVALS		DATE	TITLE: <h1>OC24527-FNF</h1>
DRAWN BY	K. SEARL	10-14-10	
PROJ. ENG.			
APPL. MECH.			
MFG.			INTERPRET DIMENSIONING AND TOLERANCING IN ACCORDANCE WITH ASME Y14.5M-2009 TOLERANCES UNLESS OTHERWISE SPECIFIED DIMENSIONS ARE IN MILLIMETERS ANGLE: ±30° 0 PLACE DECIMAL: ±0.5 1 PLACE DECIMAL: ±0.25 2 PLACE DECIMAL: ±0.13 SURFACE ROUGHNESS 1.6
SIZE		DWG. NO.	REV
A3		OC24527-FNFMO	AA
SCALE: 1:2		PREVIOUS#	SHEET 1 OF 1

6

5

4

3

2

1